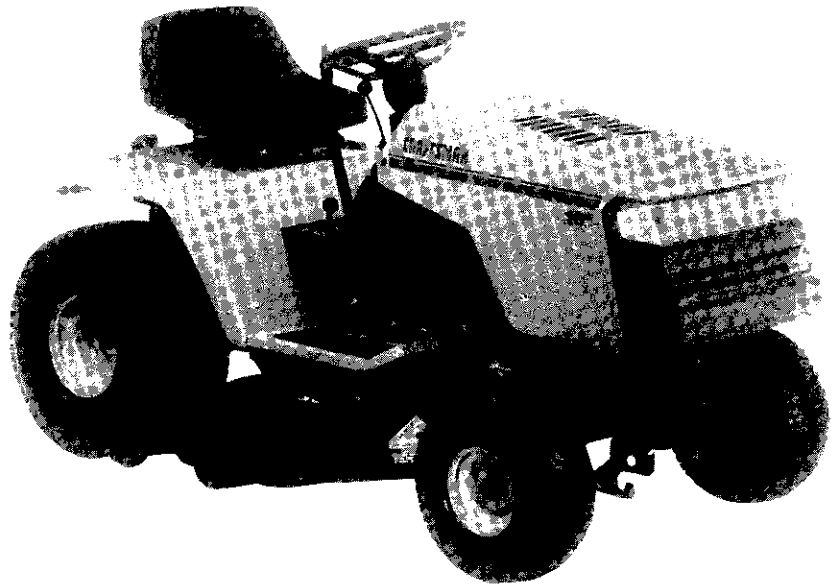


**SEARS**

# **CRAFTSMAN<sup>®</sup>**

**MODEL NUMBER 917.254860 OWNER'S MANUAL**



- **Assembly**
- **Operation**
- **Customer Responsibilities**
- **Service**
- **Adjustments**
- **Repair Parts**

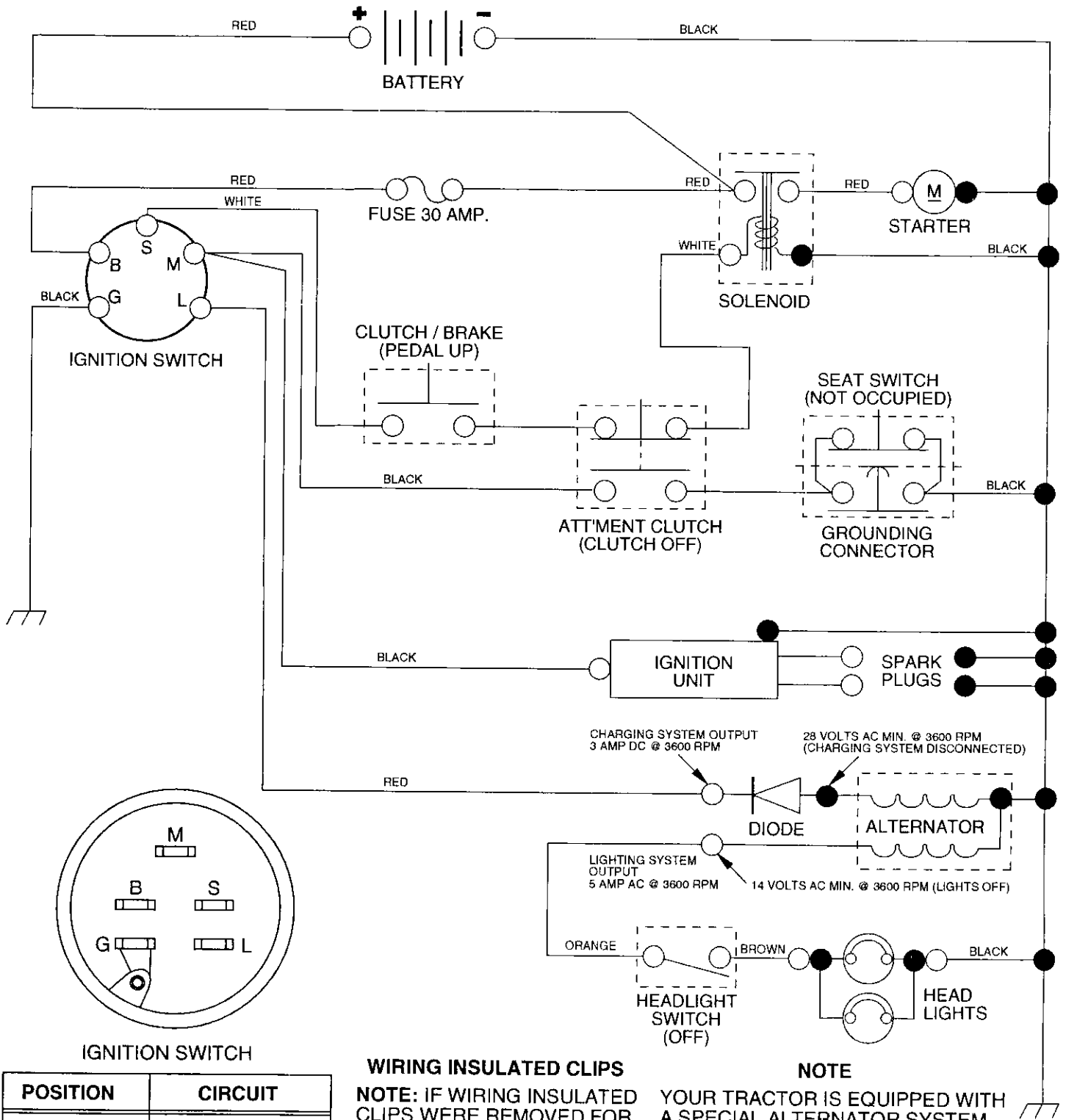
**Caution:  
Read and Follow  
all Safety Rules  
and Instructions  
Before Operating  
This Equipment**

**Sears, Roebuck and Co., Hoffman Estates, IL. 60179 U.S.A.**



# 18 HP 42" TRACTOR - - MODEL NUMBER 917.254860

## SCHEMATIC



IGNITION SWITCH

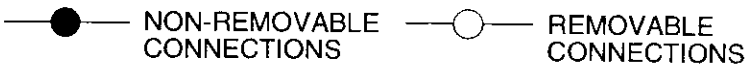
POSITION	CIRCUIT
OFF	M + G
ON	B + L
START	B + S

### WIRING INSULATED CLIPS

**NOTE:** IF WIRING INSULATED CLIPS WERE REMOVED FOR SERVICING OF UNIT, THEY SHOULD BE REPLACED TO PROPERLY SECURE YOUR WIRING

### NOTE

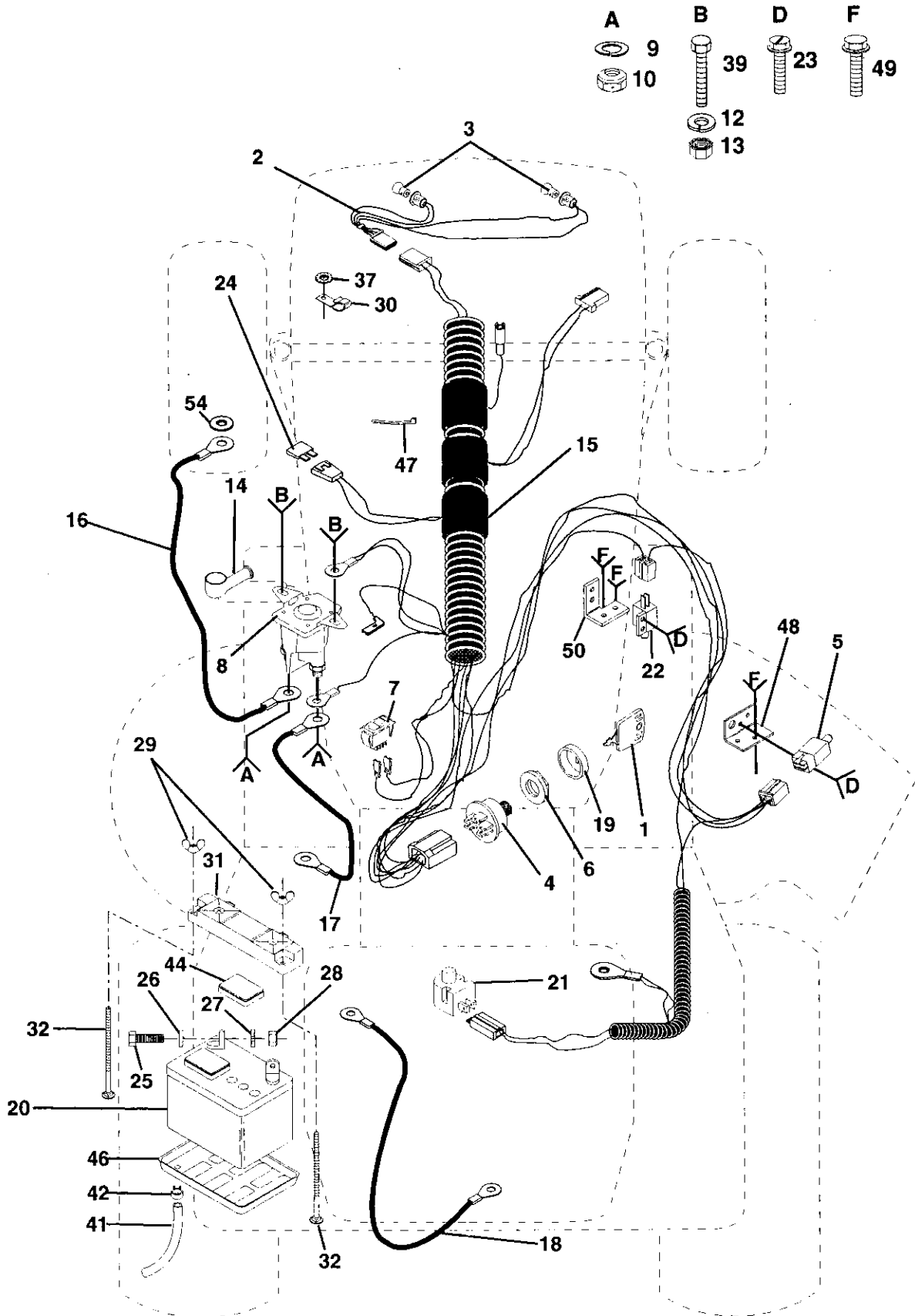
YOUR TRACTOR IS EQUIPPED WITH A SPECIAL ALTERNATOR SYSTEM. THE LIGHTS ARE NOT CONNECTED TO THE BATTERY, BUT HAVE THEIR OWN ELECTRICAL SOURCE. BECAUSE OF THIS, THE BRIGHTNESS OF THE LIGHTS WILL CHANGE WITH ENGINE SPEED. AT IDLE THE LIGHTS WILL DIM. AS THE ENGINE IS SPEEDED UP, THE LIGHTS WILL BECOME THEIR BRIGHTEST.



# REPAIR PARTS

18 HP 42" TRACTOR - - MODEL NUMBER 917.254860

## ELECTRICAL



# REPAIR PARTS

## 18 HP 42" TRACTOR - - MODEL NUMBER 917.254860

### ELECTRICAL

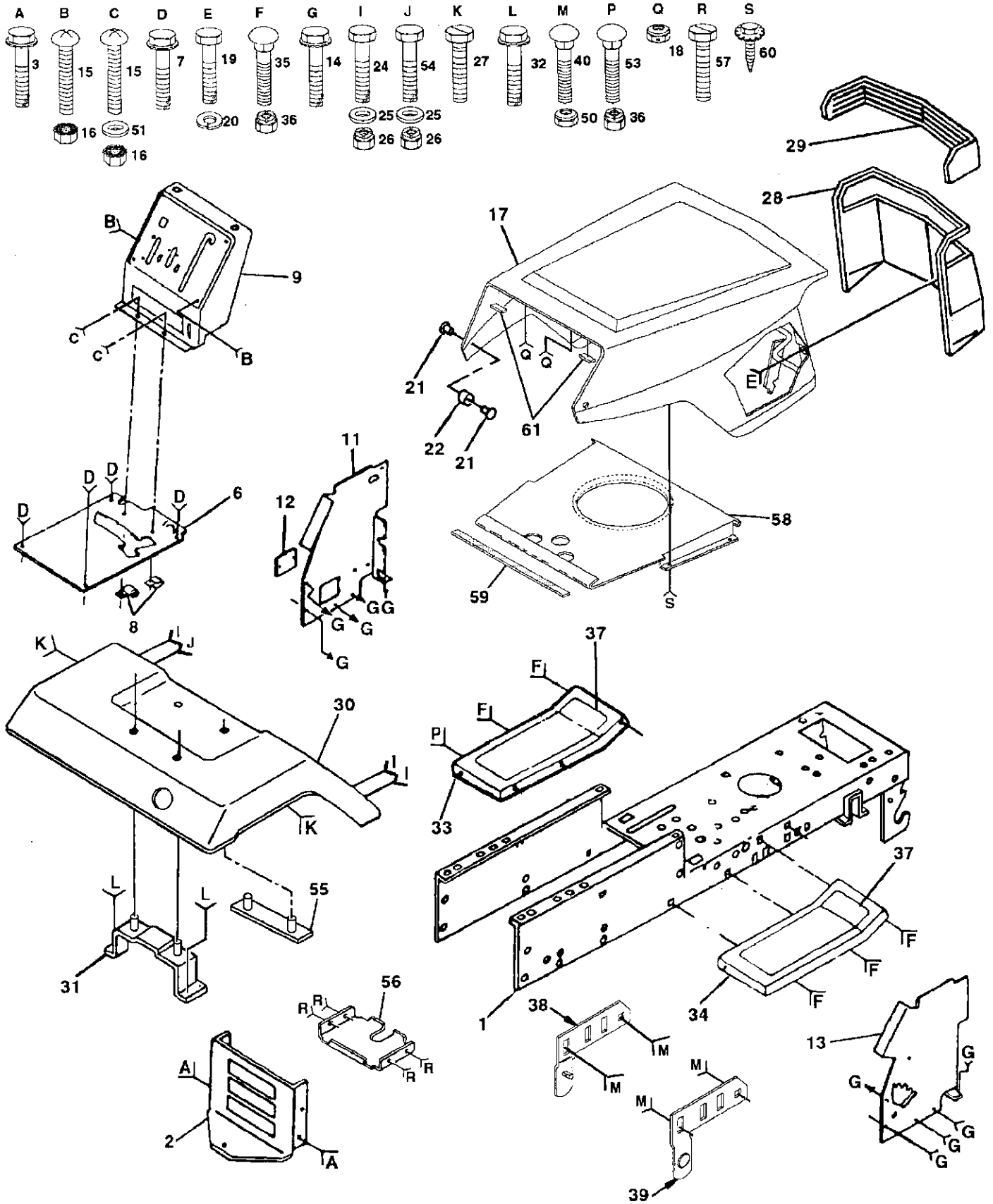
KEY NO.	PART NO.	DESCRIPTION	KEY NO.	PART NO.	DESCRIPTION
1	109310X	Key, Molded	24	108824X	Fuse
2	136849	Harness, Light Socket	25	74760412	Bolt, Hex 1/4-20 x 3/4
3	4152J	Light Bulb	26	19091016	Washer 9/32 x 5/8 x 16 Gauge
4	4406R	Switch, Ignition	27	10040400	Washer, Lock 1/4
5	109553X	Switch, Interlock, Attachment Clutch	28	73220400	Nut, Hex 1/4-20
6	124211X	Nut, Ignition	29	123198X	Nut, Wing 1/4-20
7	110712X	Switch, Light	30	2751R	Clip, Fuel Line
8	138406	Solenoid	31	102476X	Guard, Terminal
9	10090400	Washer, Lock 1/4	32	72240460	Bolt, Carriage 1/4-20 x 7-1/2
10	73350400	Nut, Hex, Jam 1/4-20	37	11050600	Washer, Lock External Tooth 3/4
12	11050400	Washer, Lock, External Tooth 1/4	39	74780408	Bolt, Hex 1/4-20 x 1/2
13	73510400	Nut, Keps 1/4-20	41	7697J	Tube
14	131563	Cover, Terminal	42	109596X	Clamp, Hose
15	138547	Harness, Ignition	44	121264X	Caps, Battery
16	108423X	Cable, Battery	46	7603J	Tray, Battery
17	4206J	Cable, Battery	47	7192J	Cable, Tie
18	4207J	Cable, Ground	48	108236X	Bracket, Switch
19	123620X	Cover, Key Switch	49	17021008	Screw, Hex, Tapping #10-24 x 1/2
20	121537X	Battery (Includes Electrolyte)	50	130890	Bracket, Switch Interlock
21	121305X	Switch, Seat	54	11150400	Washer, Lock Internal Tooth 1/4
22	104445X	Switch, Interlock, Clutch			
23	17021008	Screw, Hex, Tapping #10-24 x 1/2			

**NOTE:** All component dimensions given in U.S. inches  
1 inch = 25.4 mm

# REPAIR PARTS

18 HP 42" TRACTOR -- MODEL NUMBER 917.254860

## CHASSIS AND ENCLOSURES



# REPAIR PARTS

18 HP 42" TRACTOR - - MODEL NUMBER 917.254860

## CHASSIS AND ENCLOSURES

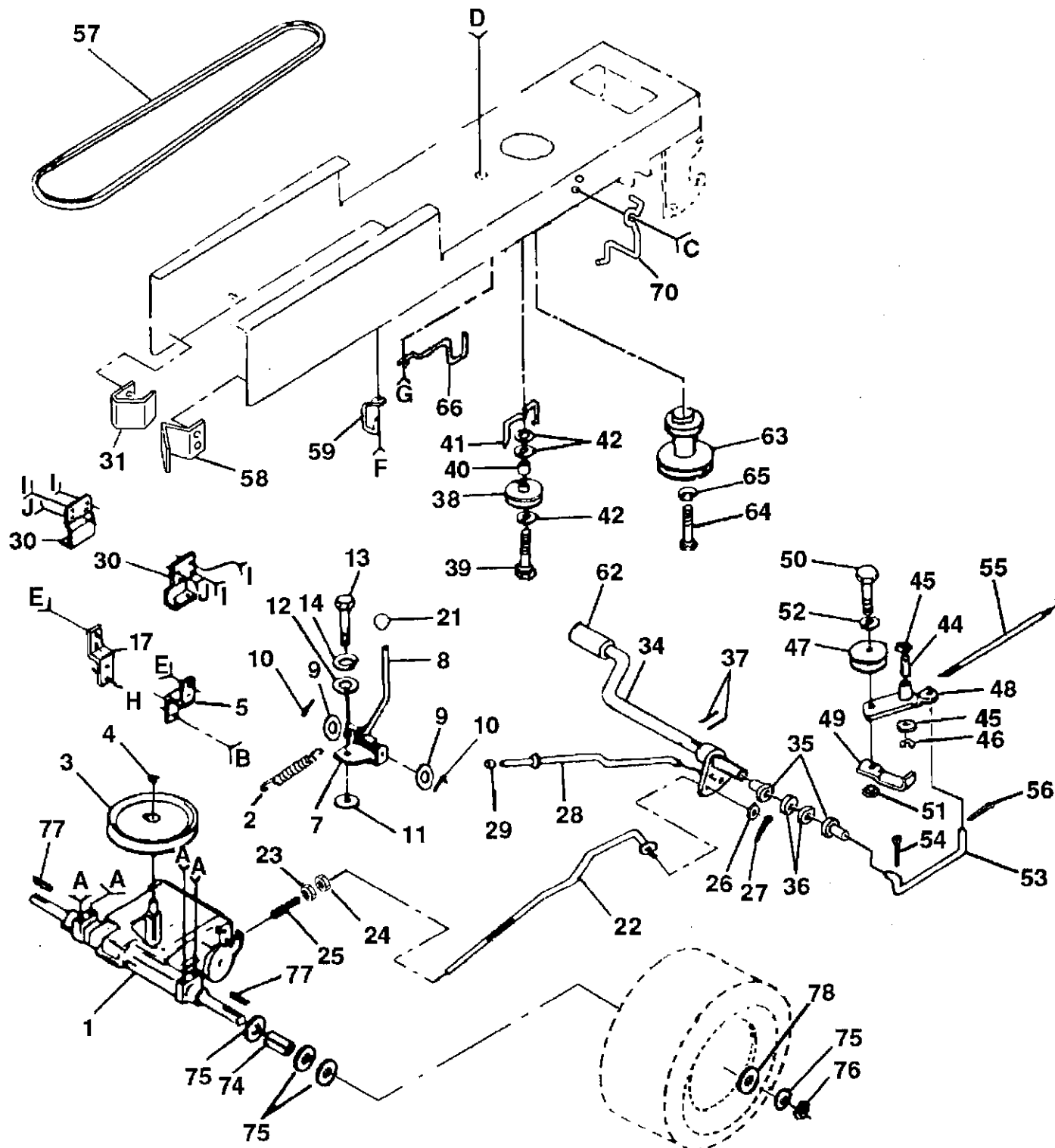
KEY NO.	PART NO.	DESCRIPTION	KEY NO.	PART NO.	DESCRIPTION
1	135034	Chassis Weldment 12ga 38/42	29	124029X	Lens Headlight Bar Clear
2	137275	Drawbar, Stretch	30	121642X417	Fender Pnt
3	17490612	Screw Thdrol 3/8-16x3/4 Ty-tt	31	137113	Bracket Pnt Fender
6	137136X013	Saddle Silkscreen 5 Sp	32	17490612	Screw Thdrol 3/8-16x3/4 Ty-tt
7	17490608	Screw Thdrol 3/8-16x1/2 Ty-tt	33	105465X417	Footrest Pnt Lh (silver)
8	126471X	Clip Line Fuel 13/32 Mtg Hole	34	105464X417	Footrest Pnt Rh (silver)
9	137411X018	Dash Silkscreened	35	STD533707	Bolt Rdhd Sht Sqnk 3/8-16 X3/4
11	122795X	Panel Pnt Dash Lh	36	STD541437	Nut Crownlock 3/8-16 Unc
12	121794X	Cover Access Black Square	37	105466X	Pad Footrest Rbr Sq Craftsman
13	126276X	Panel Dash Rh Weldment	38	134774	Bracket, Asm. Pivot, L.H., Mower Rear
14	17490608	Screw Thdrol 3/8-16x1/2 Ty-tt	39	134775	Bracket, Asm. Pivot, R.H., Mower Rear
15	74180512	Screw Mach Trhd 5/16-18uncx3/4	40	STD533710	Bolt, Carriage 3/8-16 x 1
16	STD541431	Nut Keps 5/16-18 Unc	50	STD541437	Locknut Hex W/Washer 3/8-16
17	137386X417	Hood Asm Pnt Weldment GT Slope	51	STD551025	Washer 13/32 x 3/4 x 16 Ga.
18	108067X	Nut Pal	53	STD533710	Bolt Carriage 3/8-16 x 1
19	STD512505	Bolt Fin Hex 1/4-20unc X 1/2	54	STD523708	Bolt Fin Hex 3/8-16 x 7/8
20	STD551125	Washer Lock Hvy Helical 1/4	55	105511X	Strap Asm. Fender
21	122933X	Rivet Ratchet Nylon	56	108171X	Support Battery
22	124479X	Washer Nylon Blk 28x 75x 19	57	17490512	Screw Thdrol. 5/16-18 x 3/4
24	STD523707	Bolt Fin Hex 3/8-16unc X 3/4	58	137357	Shield Heat Hood GT
25	19131312	Washer 13/32 X 13/16 X 12 Ga	59	109227X	Pad Idler
26	STD541437	Nut Crownlock 3/8-16 Unc	60	17030808	Screw Spiderloc Hex Hd. #8 x 1/2 AB
27	17490608	Screw Thdrol 3/8-16x1/2 Ty-tt	61	126938X	Hood Bumpers
28	123915X	Grille Grey			

**NOTE:** All component dimensions given in U.S. inches.  
1 inch = 25.4 mm

# REPAIR PARTS

18 HP 42" TRACTOR - - MODEL NUMBER 917.254860

## DRIVE



- |          |          |          |          |          |          |          |          |          |          |
|----------|----------|----------|----------|----------|----------|----------|----------|----------|----------|
| <b>A</b> | <b>B</b> | <b>C</b> | <b>D</b> | <b>E</b> | <b>F</b> | <b>G</b> | <b>H</b> | <b>I</b> | <b>J</b> |
|          |          |          |          |          |          |          |          |          |          |
|          |          |          |          |          |          |          |          |          |          |
|          |          |          |          |          |          |          |          |          |          |



# REPAIR PARTS

## 18 HP 42" TRACTOR - - MODEL NUMBER 917.254860

### DRIVE

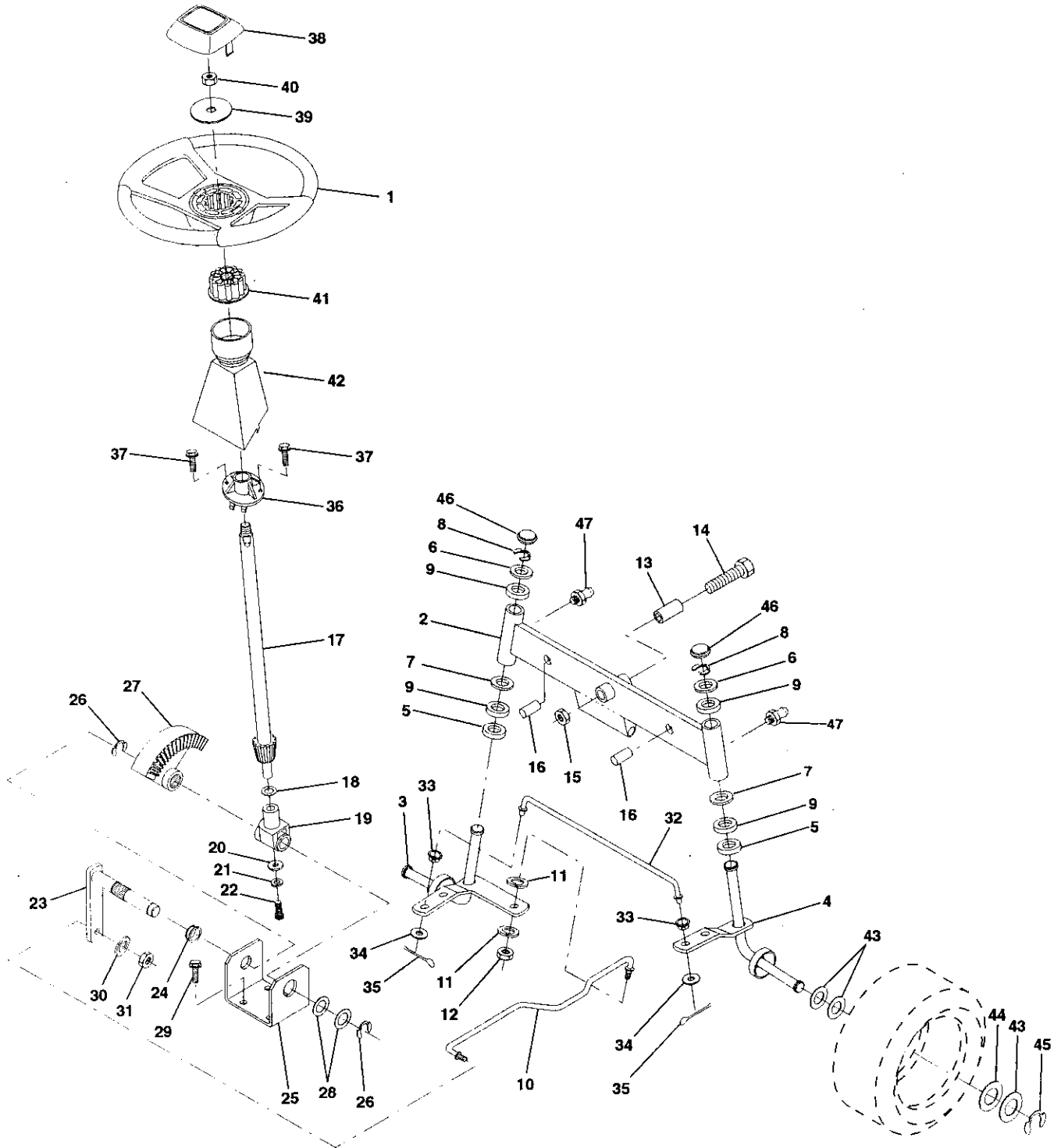
KEY NO.	PART NO.	DESCRIPTION	KEY NO.	PART NO.	DESCRIPTION
1	137371	Transaxle 5sp Std Dana, Model No. 4360-56	41	109070X	Keeper Belt Retainer
2	110422X	Spring Return Brake T/a Zinc	42	19131312	Washer 13/32 X 13/16 X 12 Ga
3	123667X	Pulley Transaxle Alum	43	STD541437	Nut Crownlock 3/8-16 Unc
4	12000028	Ring Retainer # 5100-62	44	105706X	Bearing Nyl 503 X 628 X 1 25
5	121520X	Strap Pnt Torque 30 Deg Blk	45	110812X	Washer Hardened
6	17490512	Screw Thdrol 5/16-18 X 3/4 Tyt	46	12000039	Ring Klip #5304-50
7	130802	Plate Pnt Rod Shift T/a (blk )	47	127783	Pulley Idler V Groove Plastic
8	131679	Rod Shifter Blk (dana)	48	123789X	Bellcrank Asm
9	19151216	Washer 15/32 X 3/4 X 16ga	49	123205X	Retainer Belt Style Spring
10	STD561210	Pin Cotter 1/8 X 1 Cad	50	STD523715	Bolt Hex Hd 3/8-16unc X 1-1/2
11	105701X	Washer Plate Shf 388 Sq Hole	51	STD541437	Nut Crownlock 3/8-16 Unc
12	19091210	Washer 9/32 X 3/4 X 10 Ga	52	STD551037	Washer 13/32 X 13/16 X 16 Ga
13	71040412	Bolt Fin Hex 1/4-28unfx3/4 Gr8	53	105710X	Link Clutch 7 66
14	STD551125	Washer Lock Hvy Helical 1/4	54	STD561210	Pin Cotter 1/8 X 3/4 Cad
15	74760540	Bolt Fin Hex 5/16-18 X 2-1/2	55	105709X	Spring Return Clutch 6 75
16	STD541431	Nut Crownlock 5/16-18	56	STD561210	Pin Cotter 1/8 X 3/4 Cad
17	121520X	Strap Pnt Torque 30 Deg Blk	57	131006	V-belt Ground Drive 98 25
18	STD523707	Bolt Fin Hex 3/8-16unc X 3/4	58	127290	Keeper Belt Rh
19	STD541437	Nut Crownlock 3/8-16 Unc	59	136715	Retainer Belt Chassis Lh Zinc
20	17490512	Screw Thdrol 5/16-18 X 3/4 Tyt	60	19131312	Washer 13/32 X 13/16 X 12 Ga
21	106933X	Knob Rd 1/2-13 Plstc Thds Blk	61	17490612	Screw Thdrol 3/8-16x3/4 Ty-tt
22	130804	Rod Brake Lt	62	8883R	Cover Pedal Blk Std
23	STD541437	Nut Lock Hex W/wsh 3/8-16unc	63	134825	Pulley Engine
24	STD541237	Nut Hex Jam 3/8-16 Unc	64	71170764	Bolt Finhex 7/16-20 x 4 g5
25	106888X	Spring Rod Brake 2 00 Zinc	65	STD551143	Washer Lock Hvy Hlcl Spr 7/16
26	STD551037	Washer 13/32 X 13/16 X 16 Ga	66	129921	Keeper Belt Engine Lh Lt
27	STD561210	Pin Cotter 1/8 X 3/4 Cad	67	STD523710	Bolt Fin Hex 3/8-16unc X 1
28	128904	Rod Brake Parking Lt	68	19131312	Washer 13/32 X 13/16 X 12 Ga
29	124236X	Cap Parking Brake Red	69	STD541437	Nut Crownlock 3/8-16 Unc
30	130807	Bracket Transmission	70	134683	Guide Belt Dr Mower Rh
31	127289	Keeper Belt Lh	71	STD523710	Bolt Fin Hex 3/8-16unc X 1
32	STD523107	Bolt Fin Hex 5/16-18 X 3/4	72	19132012	Washer 13/32 X 1-1/4 X 12 Ga
33	STD541431	Nut Crownlock 3/8-18	73	STD541437	Nut Crownlock 3/8-16 Unc
34	122424X	Shaft Asm Pedal Foot 1 930	74	109502X	Spacer Split .80x1.94
35	120183X	Bearing Nylon Blk 629 Id	75	121749X	Washer 25/32 X 1 1/4 X 16 Ga
36	STD551062	Washer 21/32 X 1 X 16 Ga	76	STD581075	Ring E #5133-75
37	STD571810	Pin Roll 3/16 X 1"	77	123583X	Key Square 2 0 X 1845/ 1865
38	123674X	Pulley Idler Flat	78	121748X	Washer 25/32 X 1 5/8 X 16ga
39	STD523727	Bolt Fin Hex 3/8-16unc X 2-3/4	83	17490612	Screw Thdrol 3/8-16 x 3/4
40	4470J	Spacer Split 395 X 59 Bzp			

**NOTE:** All component dimensions given in U.S. inches.  
1 inch = 25.4 mm

# REPAIR PARTS

18 HP 42" TRACTOR - - MODEL NUMBER 917.254860

## STEERING ASSEMBLY



# REPAIR PARTS

## 18 HP 42" TRACTOR - - MODEL NUMBER 917.254860

### STEERING ASSEMBLY

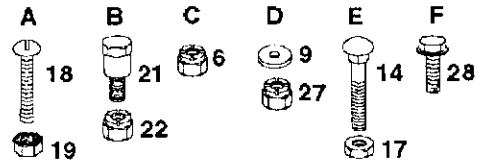
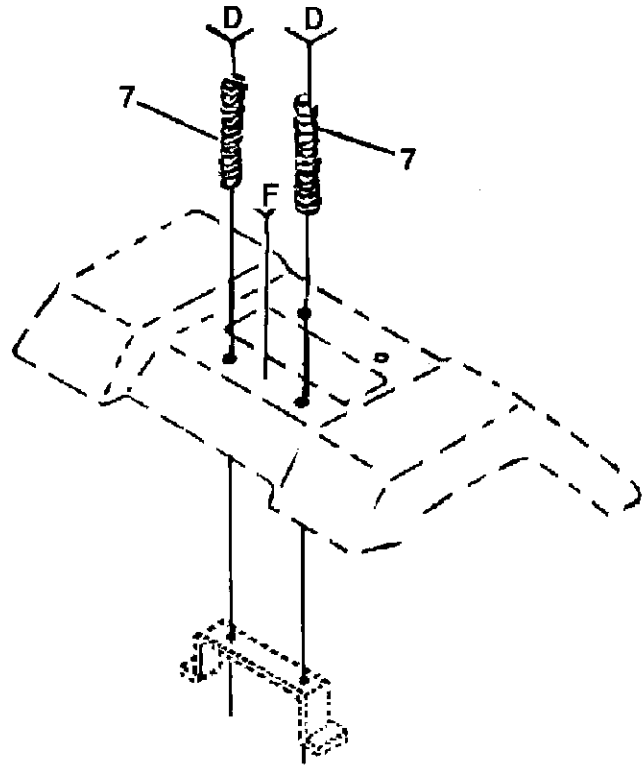
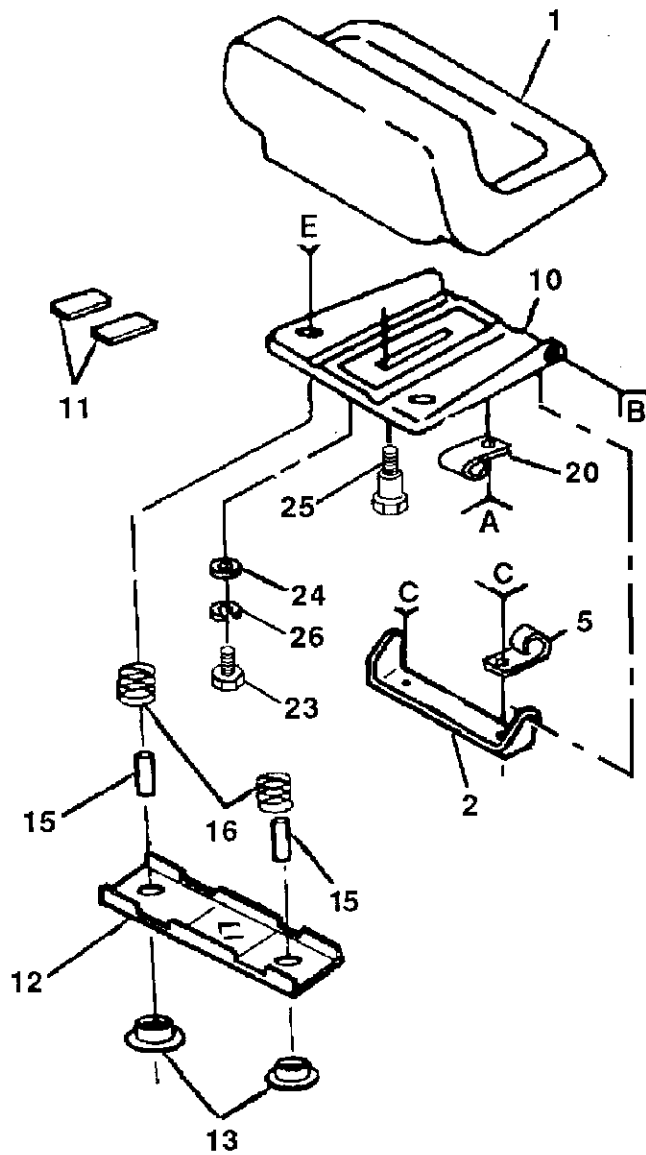
KEY NO.	PART NO.	DESCRIPTION	KEY NO.	PART NO.	DESCRIPTION
1	133741	Wheel Steering Std Black	24	109816X	Nyliner Snap In
2	133988	Axle Asm Front	25	124036X	Bracket Steering
3	135227	Spindle Asm Lh	26	12000029	Ring Klip #t5304-75
4	135228	Spindle Asm Rh	27	136874	Gear Sector
5	6266H	Bearing Race Thrust Harden	28	6266H	Bearing Race Thrust Harden
6	121748X	Washer 25/32 X 1 5/8 X 16ga	29	17490612	Screw Thdrol 3/8-16x3/4 Ty-tt
7	19272016	Washer 27/32 X 1 1/4 X 16 Ga	30	STD551137	Washer Lock Hvy Hlcl Spr 3/8
8	12000029	Ring Klip #t5304-75	31	73610600	Nut Fin Hex 3/8-24 Unf
9	3366R	Bearing Col Strg Blk	32	130465	Rod Tie Wire Form 19 75 Mech
10	130468	Link Drag Sol Ball Jt 20 064	33	126847X	Bushing Rod Tie Blk Lt
11	STD551137	Washer Lock Hvy Hlcl Spr 3/8	34	19131416	Washer 13/32 X 7/8 X 16ga
12	73610600	Nut Fin Hex 3/8-24 Unf	35	STD561210	Pin Cotter 1/8 X 3/4 Cad
13	110438X	Spacer Bearing Axle Front	36	132196	Bushing Strg 5/8 Id Dash
14	74011056	Bolt Hex 5/8-11 Unc X 3-1/2	37	STD611005	Screw Slftp #10-16 X 1/2 Ty-b
15	73901000	Locknut Flange 5/8-11 Unc	38	133742	Insert Cap Strg Wheel Std Blk
16	132624	Pin Axle 5/8 X 1 55/1 54 Lg	39	19133808	Washer 13/32 X 2-3/8 X 8 Ga
17	132614	Shaft Asm Strg 5/8 X 15 19 Lt	40	STD541537	Nut Lock Center 3/8-24unf
18	57079	Washer Thrust 515x 750x 033	41	104820X	Adaptor Wheel Strg 640/ 635id
19	124035X	Support Shaft	42	124417X	Boot Shaft Steering
20	126684X	Washer Shim 1/4 X 5/8 X .062	43	121749X	Washer 25/32 X 1 1/4 X 16 Ga
21	STD551125	Washer Lock Hvy Helical 1/4	44	121748X	Washer 25/32 X 1 5/8 X 16ga
22	71070410	Screw Hex Socket 1/4-20 X 5/8	45	12000029	Ring Klip #t5304-75
23	127501	Shaft Asm Pittman	46	121232X	Cap Spindle Fr Top Blk
			47	6855M	Fitting Grease

**NOTE:** All component dimensions given in U.S. inches.  
1 inch = 25.4 mm

# REPAIR PARTS

18 HP 42" TRACTOR - - MODEL NUMBER 917.254860

## SEAT ASSEMBLY



KEY NO.	PART NO.	DESCRIPTION
1	127437	Seat V350 Blk/red Craftsman
2	126656X	Bracket Pnt Pivot Seat (blk )
5	2751R	Clip Line Fuel 13/32 Mtg Hole
6	STD541437	Nut Crownlock 3/8-16 Unc
7	124181X	Spring Seat Cprsn 2 250 Blk Zi
8	17490616	Screw Thdrol 3/8-16 X 1 Ty-tt
9	19131614	Washer 13/32 X 1 X 14 Ga
10	131451	Pan Pnt Seat (blk )
11	121251X	Strip Foam Gray Or Black
12	121246X	Bracket Pnt Mounting Switch
13	121248X	Bushing Snap Blk Nyl 50 Id
14	72050411	Bolt Rdhd Sht Nk 1/4-20x1-3/8
15	134300	Spacer Split 28 X 96 Zinc

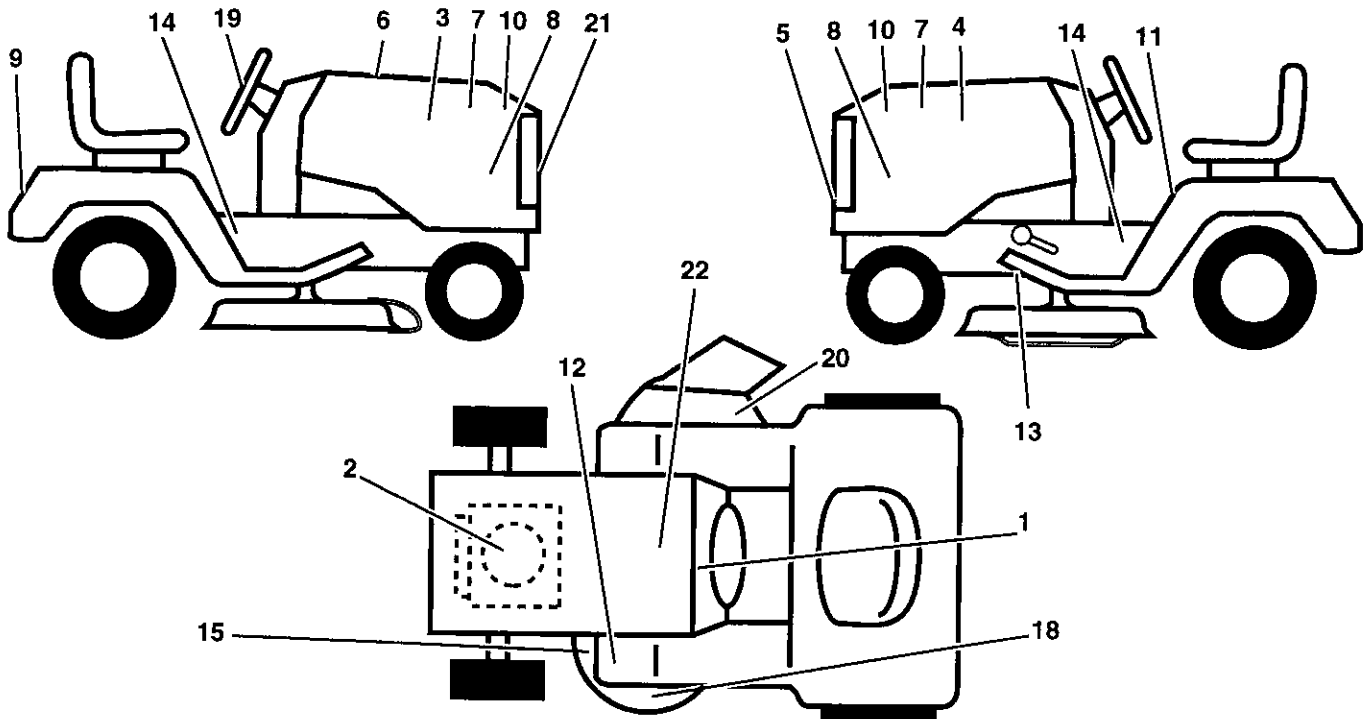
KEY NO.	PART NO.	DESCRIPTION
16	121250X	Spring Cprsn 1 27 Blk Pnt
17	123976X	Nut Lock 1/4 Lge Flg Gr 5 Zinc
18	STD511005	Screw Sltd Pan Hd #10-32 X 1/2
19	73951000	Nut Keps #10-32 Unf
20	4171R	Clip Insulated 11/32 Mtg Hole
21	105529X	Bolt Shoulder 5/16-18 Unc Blkz
22	STD541431	Nut Crown Lock 5/16-18
23	74780814	Bolt Fin Hex 1/2-13 X 7/8 Gr 5
24	19171912	Washer 17/32 X 1-3/16 X 12 Ga
25	127018X	Bolt Shoulder 5/16-18 X 62
26	STD551150	Washer Lock Hvy Hlcl Spr 1/2
28	17490608	Screw Thdrol. 3/8-16 x 1/2

**NOTE:** All component dimensions given in U.S. inches.  
1 inch = 25.4 mm

# REPAIR PARTS

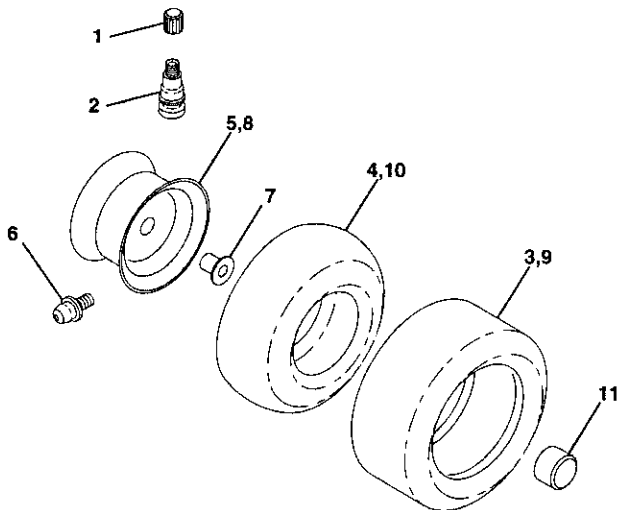
18 HP 42" TRACTOR - - MODEL NUMBER 917.254860

## DECALS



KEY NO.	PART NO.	DESCRIPTION	KEY NO.	PART NO.	DESCRIPTION
1	136794	Decal Instruction Operat Eng	13	109199X	Decal V-belt Dr Sch Tractor E
2	136128	Decal Engine 18 hp B&S	14	133139	Decal Chassis 5 Sp 42"
3	124489X	Decal Hood Slope Rh Craftsman	15	136832	Decal Mower Drive Schematic 42
4	124490X	Decal Hood Slope Lh Craftsman	18	133179	Decal Mower Qc System
5	132674	Decal Grille Lt4000 Craft Usa	19	132267	Decal Insr Wh Strg Crafts Usa
6	133644	Decal Maint Customer Sears Dom	20	133178	Decal Mower 3 in One Conv.
7	138139	Decal Panel Side l/c Gold/blk	21	131265	Decal Lightbox
8	108631X	Decal(Die Cut)	22	138047	Decal Battery
9	125880X	Decal Fender Craftsman Red	--	138311	Decal Lift Handle
10	138049	Decal Side Panel Die Hard	--	138836	Decal, 1 Pc. Dash LT
11	137537	Decal Caution English/Spanish	--	138476	Manual, Owner's (English)
12	4900J	Decal Clutch/brake English	--	138477	Manual, Owner's (Spanish)

## WHEELS & TIRES



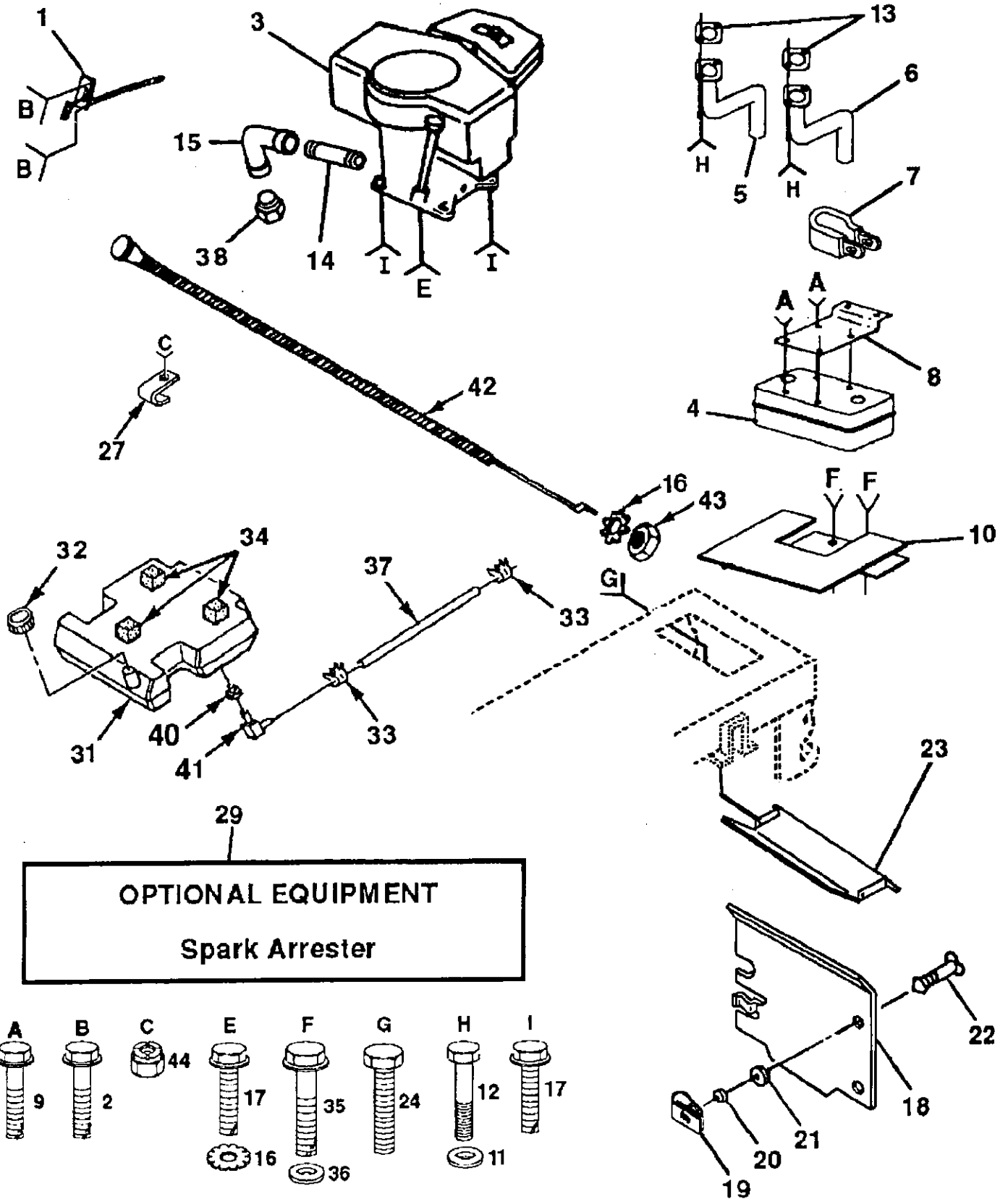
KEY NO.	PART NO.	DESCRIPTION
1	59192	Cap Value Tire
2	65139	Stem Value
3	106222X	Tire F Ts 15 X 6 0 - 6 Service
4	59904	Tube Inner Front #35060
5	106732X361	Rim Asm 6"front Silver Service
6	278H	Fitting Grease
7	9040H	Bearing Flange
8	106108X361	Rim Asm 8"rear Silver Service
9	124632X	Tire R Ts 20 x 10-8.5 Service
10	7152J	Tube Rear 9 5 X 8 Service
11	104757X	Cap Axle Blk 1 50 X 1 00

**NOTE:** All component dimensions given in U.S. inches.  
1 inch = 25.4 mm

# REPAIR PARTS

18 HP 42" TRACTOR - - MODEL NUMBER 917.254860

## ENGINE



# REPAIR PARTS

## 18 HP 42" TRACTOR - - MODEL NUMBER 917.254860

### ENGINE

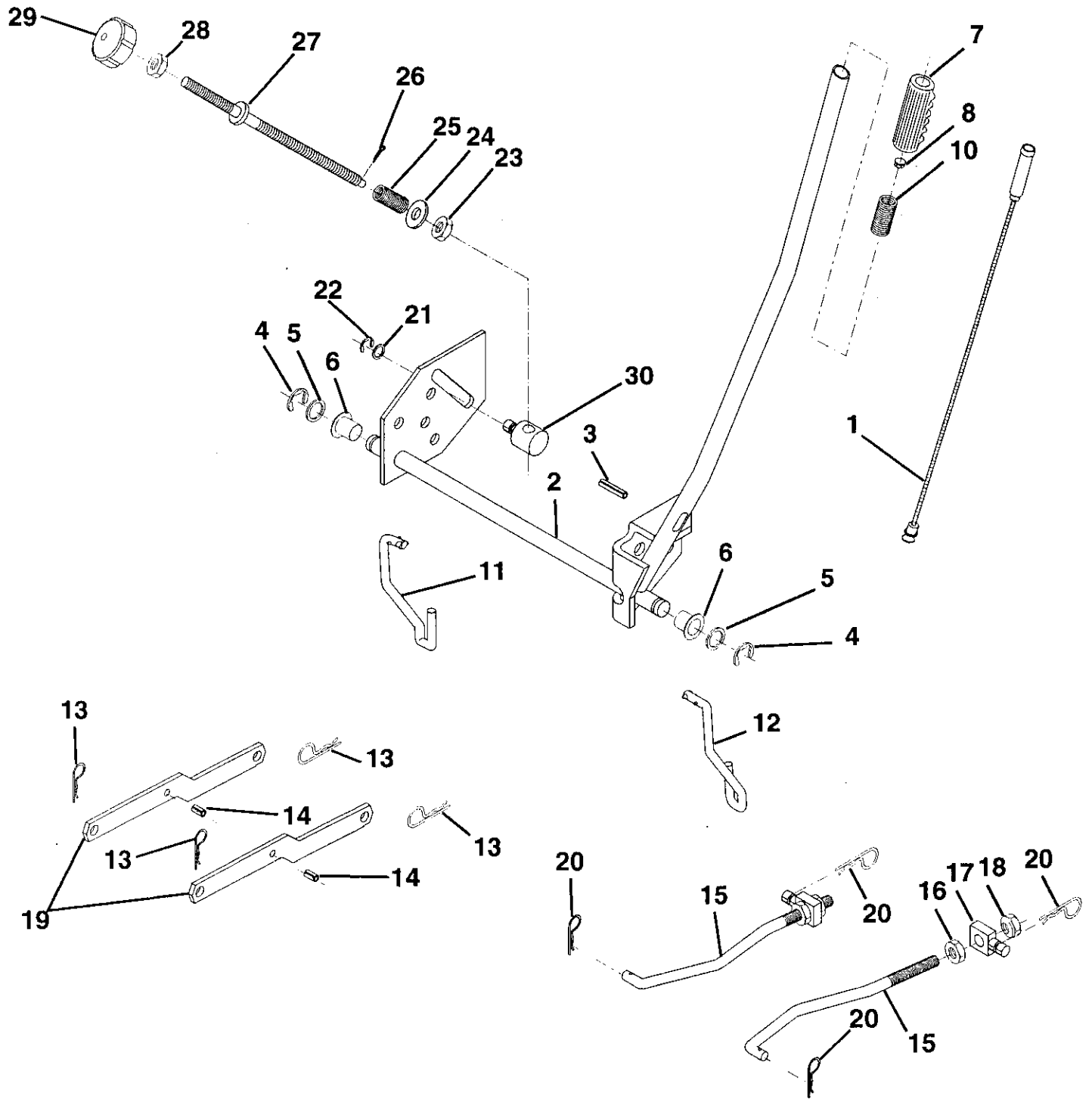
KEY NO.	PART NO.	DESCRIPTION	KEY NO.	PART NO.	DESCRIPTION
1	132755	Control Throt Rh Blk Pdl 15 10	22	123650X	Stud 1/4 Turn (replaces 105751
2	17720410	Screw Hex Thd Cut 1/4-20x5/8 T	23	128953	Shield Pnt Heat Browning Grass
3	137518	Engine B&s 18hp, Model No. 422707, Type No. 1522-01	25	137357	Shield Pnt Heat Hood Gt
4	137978	Muffler Exhaust	27	126471X	Clip Insulator
5	136989	Exhaust Asm. Left	29	132922	Arrestor Spark
6	136988	Exhaust Asm. Right	31	127334X	Tank Fuel 3 50 Rear
7	138129	Clamp Tube Double Engine	32	123549X	Cap Asm Fuel W/sym Vented
8	122439X	Bracket Muffler Mounting	33	123487X	Clamp Hose Blk
9	17190408	Screw Hex Whs Thdcut 1/4-20 Unc	34	106082X	Spacer Pad
10	128199	Heat Shield Lt	35	17490512	Screw Hexwsh Thdrol 5/16-18 x 3/4
11	STD551125	Washer Lock Hvy, Helical 1/4	36	19132012	Washer 13/32 x 1-1/4 x 12 Ga.
12	STD522707	Bolt Fin Hex 1/4-20 x 3/4	37	5277J	Line Fuel
13	8545J	Gasket Muffler	38	-----	Plug Oil Drain (Order From Engine Manufacturer)
14	13280336	Nipple Pipe 4-1/2"	40	3645J	Bushing
15	13200300	Elbow Std 90 Degree 3/8-18 Npt	41	139227	Stem Tank Fuel
16	STD551237	Washer Lock Ext Tooth 3/8	42	138127	Control Choke
17	17490624	Screw Thdrol 3/8-16x1-1/2 Tytt	43	73610600	Nut Hex 3/8-24 Unf
18	137358	Shield Pnt Heat	44	73680600	Nut Crownlock 3/8-16
19	105839X	Receptacle 1/4 Turn Dacrotized			
20	105838X	Retainer 1/4 Turn 365odx 222id			
21	STD551025	Washer 9/32 X 5/8 X 16 Ga			

**NOTE:** All component dimensions given in U.S. inches.  
1 inch = 25.4 mm

# REPAIR PARTS

18 HP 42" TRACTOR - - MODEL NUMBER 917.254860

LIFT





# REPAIR PARTS

18 HP 42" TRACTOR - - MODEL NUMBER 917.254860

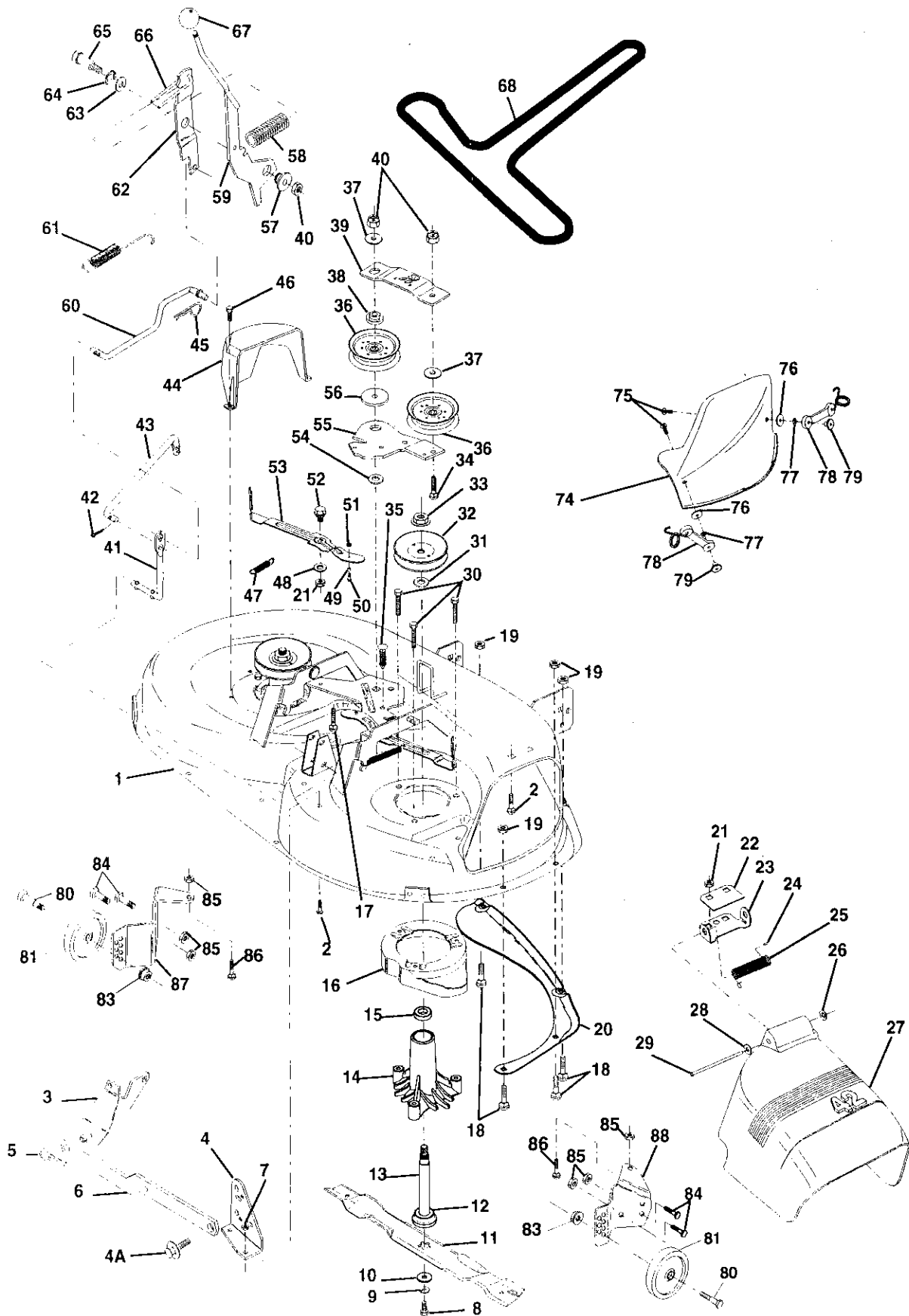
## LIFT

KEY NO.	PART NO.	DESCRIPTION
1	136973	Rod Asm. Lever
2	122507X	Shaft Asm. Lift
3	105767X	Pin Groove
4	12000002	E Ring #5133-62
5	19211621	Washer 21/32 x 1 x 21 Ga.
6	120183X	Bearing Nylon
7	125631X	Grip Handle Fluted
8	122365X	Button Plunger Read
10	122512X	Spring Cprsn
11	134619	Link Lift Lh Fixed Length
12	135388	Link Lift Rh Fixed Length
13	4939M	Retainer Spring
14	135563	Pin Roll Slit 5/16 x 1.25
15	127218	Link Front
16	73350800	Nut Jam Hex 1/2-13 Unc
17	130171	Trunnion Blk Zinc
18	73800800	Nut Lock W/Wsh 1/2-13 Unc
19	130832	Arm Suspension Rear
20	3146R	Retainer Spring
21	19151216	Washer 15/32 x 3/4 x 16 Ga.
22	12000037	Ring Klip #T5304-37
23	110807X	Nut Spring
24	19131016	Washer 13/32 x 5/8 x 16 Ga.
25	2876H	Spring 2-1/8"
26	76020308	Pin cotter 3/32 x 1/2
27	126971X	Rod Adj. Lift
28	73350600	Nut Hex Jam 3/8-16
29	138057	Knob Inf. 3/8-16
30	110810X	Trunnion Dp. Stop

# REPAIR PARTS

18 HP 42" TRACTOR - - MODEL NUMBER 917.254860

## 42" MOWER DECK



# REPAIR PARTS

## 18 HP 42" TRACTOR - - MODEL NUMBER 917.254860

### 42" MOWER DECK

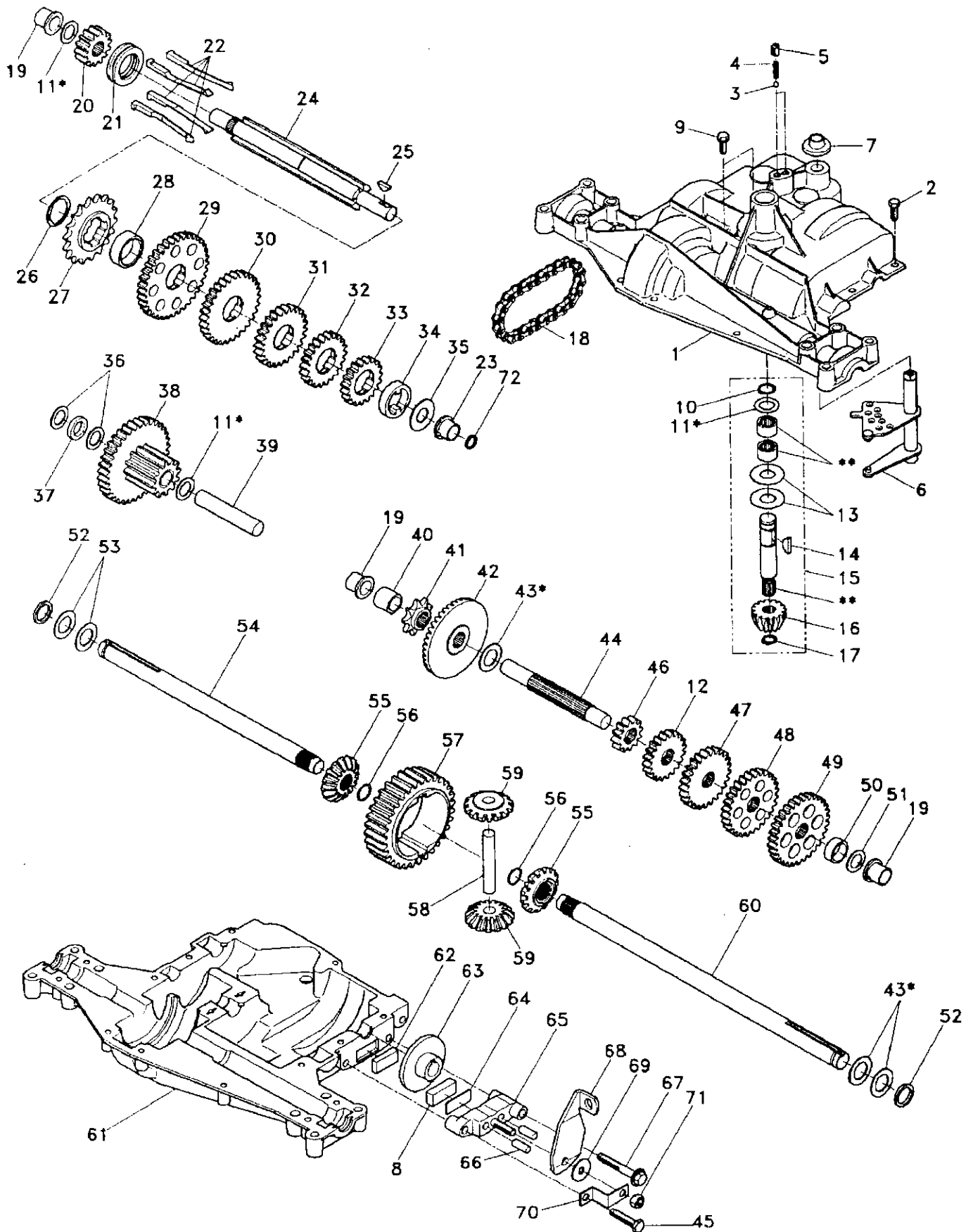
KEY PART NO.	NO.	DESCRIPTION	KEY PART NO.	NO.	DESCRIPTION
1	138024	Mower Deck Assembly, 42"	43	133504	Rod, Clutch, Secondary, with Nibs
2	STD533107	Bolt	44	134236	Guard, Mandrel, LH
3	138017	Bracket Asm Fr. Sway Bar	45	STD624003	Retainer
4	138440	Bracket Asm Deck 42" Sway Bar	46	17720410	Screw, Hex Head, Thread Cutting 1/4-20 x 5/8
4A	132827	Shoulder Bolt 5/16-18 Thd. Form	47	131335	Spring, Extension
5	STD624008	Retainer Spring	48	133944	Washer, Hardened
6	130832	Arm, Suspension, Rear	49	133940	Roller Assembly, Cam Follower
7	73800500	Locknut 5/16-18	50	131340	Bolt, Shloulder #10-24 Grade 5
8	850857	Bolt 3/8-24 x 1.25 Grade 8	51	STD541410	Locknut
9	STD551137	Washer, Lock	52	105529X	Bolt, Shoulder 5/16-18 UNC
10	129962	Washer, Hardened	53	131845	Arm Assembly, Pad, Brake
11	134149	Blade, Mulching, 42" Mower Deck	54	133943	Washer, Hardened
12	129895	Bearing, Ball	55	133844	Arm, Idler
13	137645	Shaft Assembly, Mandrel, Vented (Includes Key Number 12)	56	122052X	Spacer, Retainer
14	128774	Housing, Mandrel, Vented	57	127498	Bushing, Large, Brass
15	110485X	Bearing, Ball, Mandrel	58	128759	Spring, Mower Clutch
16	136929	Stripper, Vented Mower Deck	59	133573	Arm, Clutch, Primary
17	72110618	Bolt, Carriage 3/8-16 x 2-1/4	60	134666	Rod, Clutch, Primary, with Nibs
18	72140505	Bolt, Carriage 5/16-18 x 5/8	61	131870	Spring, Extension, Return
19	73800500	Locknut 5/16-18	62	127847	Arm, Clutch, Secondary
20	136888	Baffle, Vortex	63	121748X	Washer 25/32 x 1-5/8 x 16 Gauge
21	STD541431	Nut	64	12000029	Ring, Klip
22	134753	Stiffener Bracket	65	128903	Bolt, Shoulder 3/8-16 UNC x 1.44
23	131267	Bracket, Deflector	66	127845	Keeper, Spring
24	105304X	Cap, Sleeve	67	106932X	Knob Rd. 3/8-16 Plstc.
25	123713X	Spring, Torsion, Deflector	68	130969	V-Belt, 42" Mower
26	110452X	Nut, Push	74	136420	Mulcher Cover
27	130968	Shield, Deflector	75	71161010	Screw
28	19111016	Washer 11/32 x 5/8 x 16 Gauge	76	19061216	Washer #10
29	131491	Rod, Hinge	77	STD551110	Washer, Lock
30	78158	Bolt 5/16-18 x 1.25	78	130758	Latch Assembly, Bagger
31	129963	Washer, Spacer	79	2029J	Nut, Weld
32	129861	Pulley, Mandrel	80	133814	Bolt, Shoulder
33	137266	Nut, Flanged, Toplock 9/16	81	133957	Wheel, Gauge, Donut
34	STD533717	Bolt	83	73980600	Nut, Crownlock 3/8 - 16
35	133835	Fastner, Christmas Tree	84	74760512	Bolt, Hex Head 5/16 - 18 UNC x 3/4
36	131494	Pulley, Idler, Flat	85	73510500	Nut, Keps 5/16 - 18 UNC
37	19131612	Washer 13/32 x 1 x 12 Gauge	86	72110504	Bolt, Carriage 5/16 UNC x 1/2
38	133502	Spacer, Idler Arm, Upper	87	132263	Bracket, Gauge, Wheel LH
39	133503	Stiffner, Idler Arm, Upper, Hardened	88	132262	Bracket, Gauge, Wheel RH
40	STD541437	Nut	--	130794	Mandrel Assembly (Includes Key Numbers 8-10, 12-15, 31 and 33)
41	133551	Rod, Pivot, with Nibs	--	138357	Mower Deck, Complete (Std. Deck, Order separately mulcher blade, mulcher plate and gauge wheel components Key Nos. 11, 74-88)
42	STD560907	Cotter Pin			

**NOTE:** All component dimensions given in U.S. inches  
1 inch = 25.4 mm

# REPAIR PARTS

18 HP 42" TRACTOR - MODEL NUMBER 917.254860

DANA TRANSAXLE - MODEL NUMBER 4360-56



# REPAIR PARTS

**18 HP 42" TRACTOR - MODEL NUMBER 917.254860**

**DANA TRANSAXLE - MODEL NUMBER 4360-56**

KEY PART NO.	NO.	DESCRIPTION	KEY PART NO.	NO.	DESCRIPTION
1	138248	Housing, Upper	41	105928X	Sprocket, 9 Teeth
2	2274J	Screw, Self-Tapping, Large 1/4-20 x .734	42	106605X	Gear, Bevel, 42 Teeth
3	134400	Ball, Detent	43	134394	* Assembly, Kit, Shim, .750 Shaft
4	105904X	Spring, Detent	44	120473X	Shaft, Drive
5	105905X	Screw, Set	45	106596X	Screw, Self-Tapping, Large 5/16-18 X 1.44
6	134788	Kit, Shifter Assembly	46	105933X	Gear, Spur, 12 Teeth
7	134399	Boot, Shifter	47	106589X	Gear, Spur, 25 Teeth
8	120951X	Puck, Friction	48	120408X	Gear, Spur, 28 Teeth
9	134791	Screw, Self-Tapping, with Sealer	49	105937X	Gear, Spur, 31 Teeth
10	2267J	Ring, Retaining	50	105936X	Spacer .781 x 1.00 x .375
11	134793	* Assembly, Kit, Shim .625 Shaft	51	2226J	Washer, Plain .632 x 1.00 x .060
12	120407X	Gear, Spur, 20 Teeth	52	134401	Washer, Neoprene
13	120415X	Washer, Plain .632 x 1.38 x .046	53	2264J	Washer, Plain .758 x 1.25 x .031
14	2257J	Key, Woodruff, #9	54	120474X	Axle, L.H.
15	106846X	Assembly, Kit, Input Shaft	55	120409X	Gear, Miter, 15 Teeth
16	106095X	Pinion, Bevel, 14 Teeth	56	105941X	Ring, Retaining
17	105909X	Ring, Retaining	57	110071X	Gear, Spur, 32 Teeth
18	105910X	Chain, 24 Pitches	58	120952X	Shaft, Cross
19	105911X	Bearing, Flange	59	106592X	Gear, Miter, 15 Teeth
20	138242	Gear, Spur, 14 Teeth	60	120475X	Axle, R.H.
21	138246	Collar, Clutch	61	138247	Housing, Lower
22	138238	Assembly, Kit, Clutch Keys	62	120961X	Puck, Friction
23	138240	Bearing, Flange	63	7294J	Disc, Brake
24	138245	Shaft, Intermediate	64	108989X	Spacer
25	2244J	Key, Woodruff, #61	65	120953X	Jaw, Brake
26	105916X	Ring, Retaining	66	120954X	Pin, Dowel
27	120470X	Sprocket, 18 Teeth	67	134799	Screw, Self-Tapping, Large 5/16-18 x 2.25
28	110070X	Spacer	68	138244	Lever, Actuating
29	108977X	Gear, Spur, 37 Teeth	69	108996X	Washer, Plain .321 x 1.00 x .055
30	124644X	Gear, Spur, 30 Teeth	70	120956X	Bracket, Anti-Rotation
31	108980X	Gear, Spur, 25 Teeth	71	73810500	Locknut 5/16-24
32	120406X	Gear, Spur, 22 Teeth	72	138241	Square Ring
33	134796	Gear, Spur, 19 Teeth	73	120416X	Grease
34	134797	Spacer 1.133 x 1.50 x .375			
35	105925X	Washer, Plain .640 x 1.37 x .061			
36	2232J	Washer, Plain .632 x 1.00 x .026			
37	108978X	Spacer .630 x 1.00 x .169			
38	110079X	Assembly, Gear, Combination of 12 Teeth and 35 Teeth			
39	124639X	Shaft, Idler			
40	120472X	Spacer .633 x .87 x .755			

\* Use in combinations to maintain proper clearances

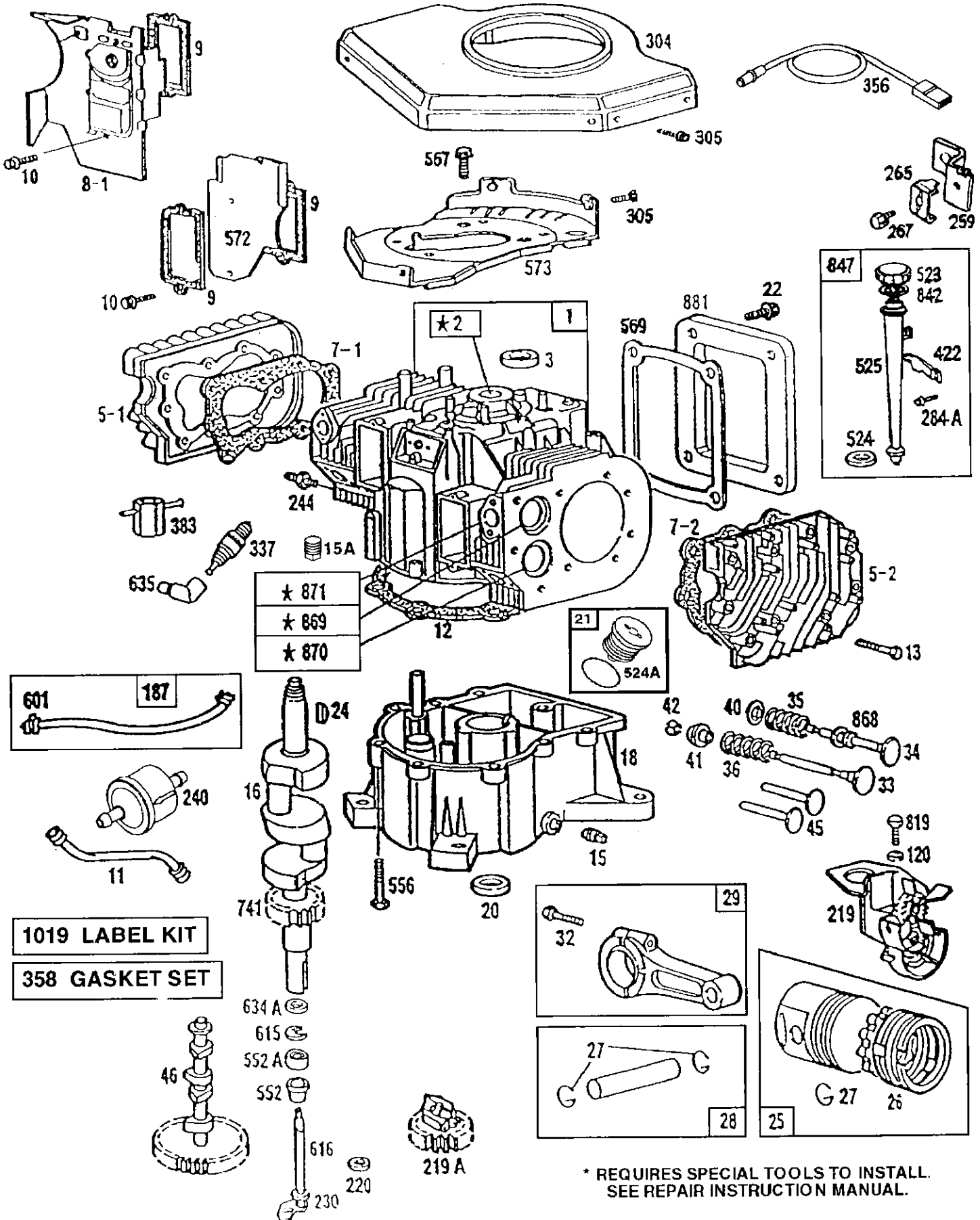
\*\* Order Key No. 15

**NOTE:** All component dimensions given in U.S. inches  
1 inch = 25.4 mm

# REPAIR PARTS

18 HP 42" TRACTOR - - MODEL NUMBER 917.254860

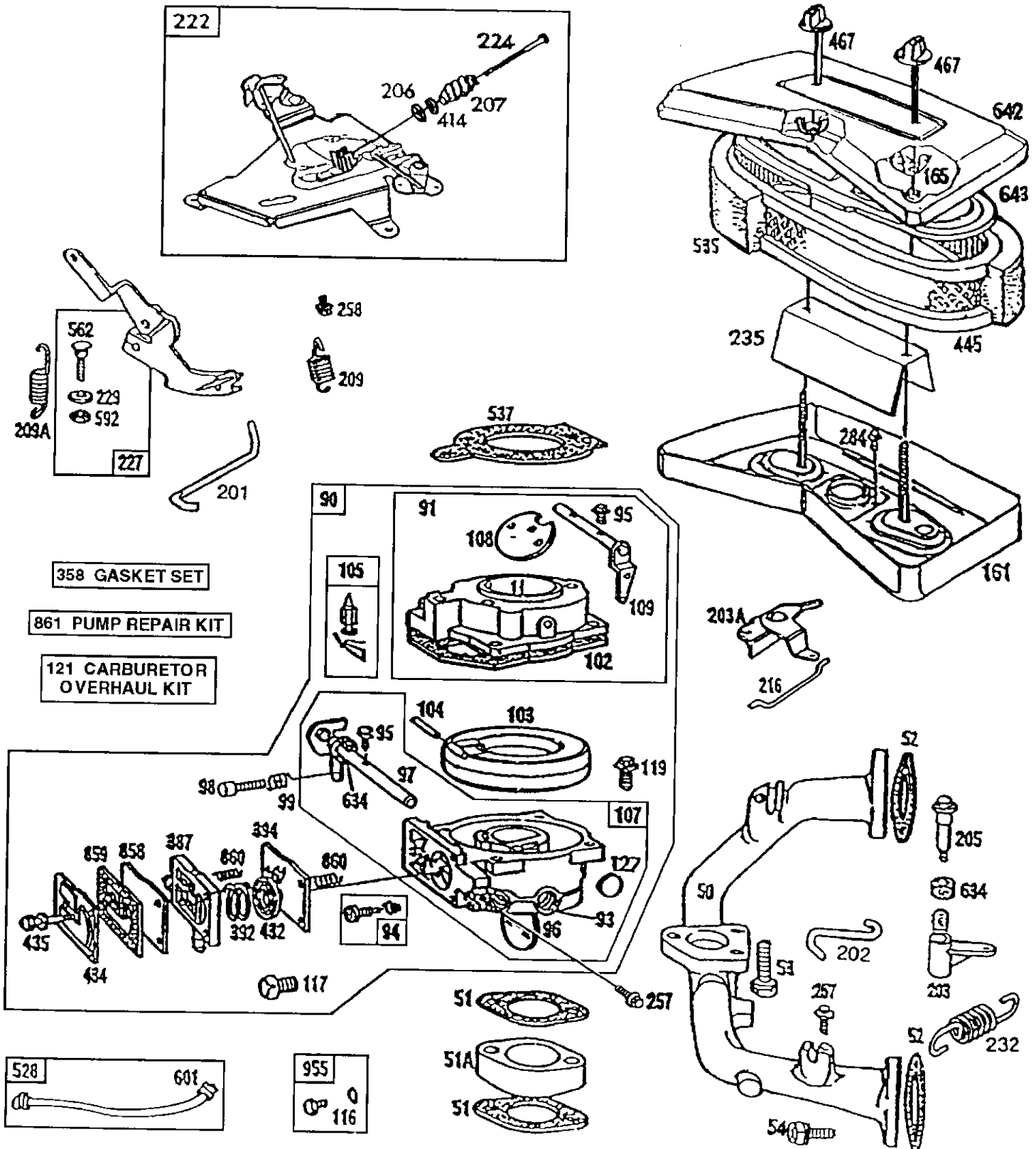
BRIGGS & STRATTON ENGINE - MODEL NUMBER 422707, TYPE NUMBER 1522-01



# REPAIR PARTS

18 HP 42" TRACTOR - - MODEL NUMBER 917.254860

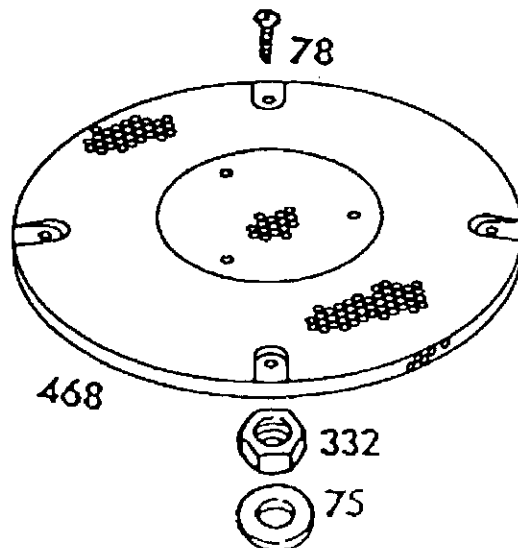
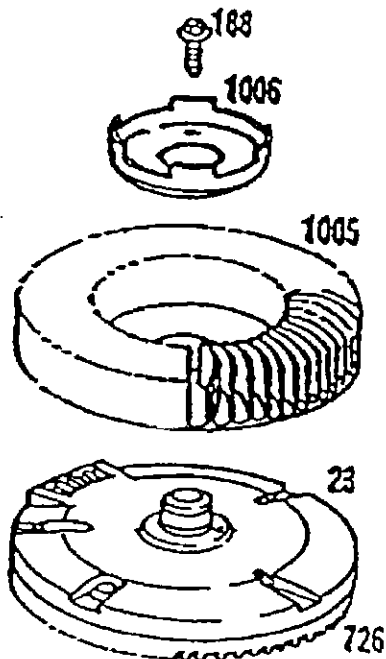
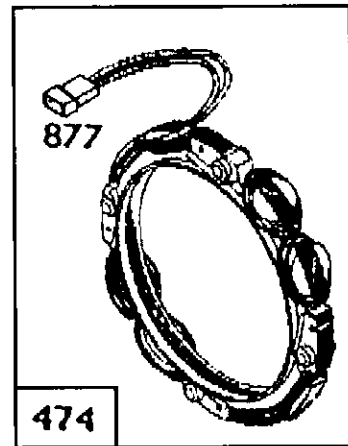
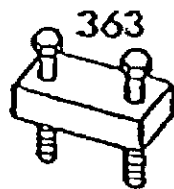
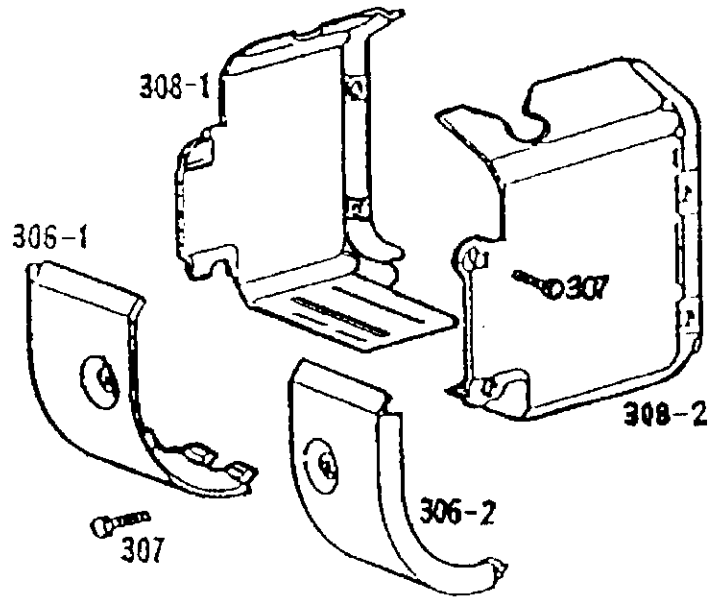
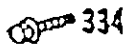
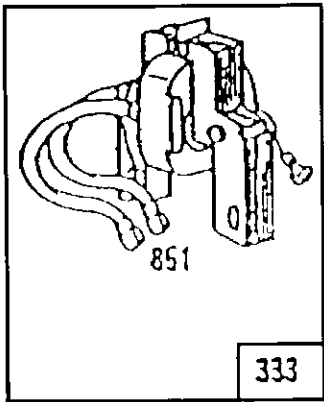
BRIGGS & STRATTON ENGINE - MODEL NUMBER 422707, TYPE NUMBER 1522-01



# REPAIR PARTS

18 HP 42" TRACTOR - - MODEL NUMBER 917.254860

BRIGGS & STRATTON ENGINE - MODEL NUMBER 422707, TYPE NUMBER 1522-01

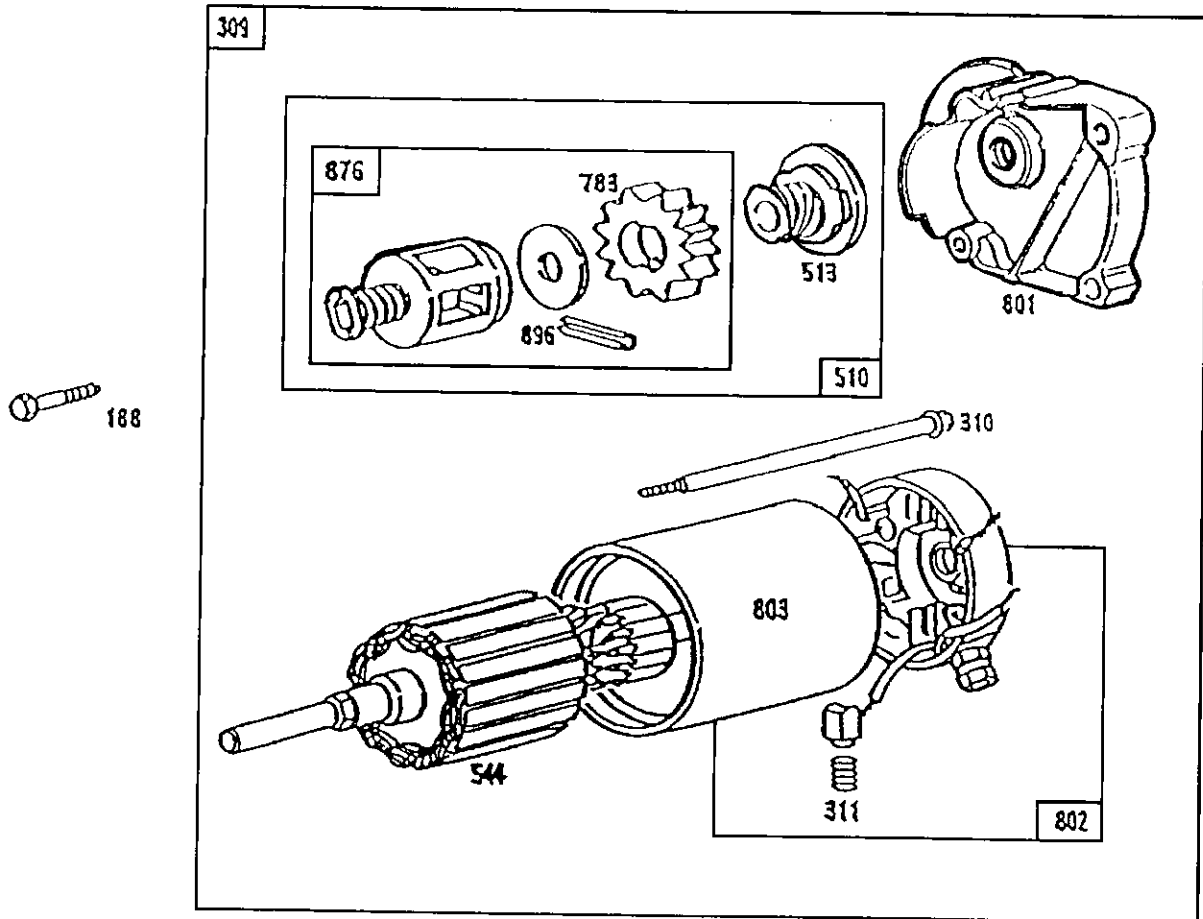




# REPAIR PARTS

18 HP 42" TRACTOR - - MODEL NUMBER 917.254860

BRIGGS & STRATTON ENGINE - MODEL NUMBER 422707, TYPE NUMBER 1522-01



Reference Number		309	310	311	544	801	802	803
Manufacturer		Motor and Drive Ass'y.	Thru Bolt Assembly	Brush Assembly	Armature Assembly	Drive End Cap Assembly	End Cap Ass'y. Commutator	Housing Assembly
Briggs & Stratton	Housing Length							
12V	3-5/8"	394808	94003	395538	390837	394860	395537*	398159

\*Includes Brush Set

Reference Number	510	513	783	876	896
Starter Motor Mfr.	Starter Drive Group	Clutch Assembly	Gear	Pinion Spring Kit	Roll Pin
Briggs & Stratton					
12V	490421	398003	280104	490467	94288(Copper)

# REPAIR PARTS

## 18 HP 42" TRACTOR - - MODEL NUMBER 917.254860

### BRIGGS & STRATTON ENGINE - MODEL NUMBER 422707, TYPE NUMBER 1522-01

KEY PART NO.	NO.	DESCRIPTION	KEY PART NO.	NO.	DESCRIPTION
1	494533	Cylinder Assembly	45	261368	Tappet, Valve
2	399265	Bearing, Cylinder	46	213520	Gear, Cam
3	391086	Seal, Oil	50	213290	Manifold, Intake
5-1	493457	Head, Cylinder Number 1	51	271412	*** Gasket, Carburetor & Intake Elbow
5-2	493458	Head, Cylinder Number 2	51A	280319	Spacer, Carburetor
7-1	271867	* Gasket, Cylinder Head Number 1	52	270884	* Gasket, Intake Manifold Mounting
7-2	271868	* Gasket, Cylinder Head Number 2	53	93970	Screw, Sems, Carburetor Mounting
8-1	398065	Breather Assembly Number 1	54	93208	Screw, Sems, Intake Manifold Mnt.
8-2	222892	Cover, Breather, Cylinder Number 2 (Use with Key Number 572, Air Baffle with Mounting Holes)	75	222511	Washer, Spring
9	27803	* Gasket, Valve Cover	78	94326	Screw, Sems
10	94382	Screw, Sems	81	223016	Lock, Muffler Screw
11	280225	Tube, Breather	90	495181	Carburetor Assembly
12	271703	* Gasket, Crankcase Cover 1/64"	91	495035	Body Assembly, Upper Carburetor
	271188	* Gasket, Crankcase Cover .005"	93	231209	Bushing, Throttle Shaft
	271189	* Gasket, Crankcase Cover .009"	94	491538	** Valve Assembly, Carburetor Idle
13	94565	Screw, Cylinder Head	95	93499	Screw, Sems, Throttle and Choke
15	94239	Plug, Oil Drain	96	221939	Valve Mounting
15A	94497	Plug, Pipe	96	221939	Valve, Throttle
16	394028	Crankshaft	97	392672	Shaft and Lever, Throttle
	94196	Key, Timing Gear	98	91920	Screw, Machine, Fillister Head
18	493304	Base Assembly, Crankcase	99	26157	Spring, Throttle Adjustment
20	291675	Seal, Oil	102	271607	** Gasket, Carburetor Body
21	399195	Seal Assembly, Cylinder Plug	103	298514	Float, Carburetor
22	94724	Screw, Sems, Crankcase Cover Mounting	104	230896	** Pin, Float Hinge
23	491180	Flywheel and Ring Gear Assembly, Magneto	105	394683	** Valve, Fuel Inlet
24	222698	Key, Flywheel	107	491543	Body, Lower Carburetor
25	394955	Piston Assembly, Standard	108	223534	Valve, Choke
	394956	Piston Assembly .010" Oversize	109	392673	Shaft and Lever, Choke
	394957	Piston Assembly .020" Oversize	116	280474	O-Ring
	394958	Piston Assembly .030" Oversize	117	231338	Jet, Needle Valve
26	394959	Ring Set, Piston, Standard	119	94152	Screw, Sems, Hex Head
	394960	Ring Set, Piston .010" Oversize	120	92290	Washer, Lock
	394961	Ring Set, Piston .020" Oversize	121	491539	Carburetor Overhaul Kit
	394962	Ring Set, Piston .030" Oversize	127	223472	Plug, Welch
27	260924	Lock, Piston Pin	161	398826	Body, Air Cleaner
28	299691	Pin Assembly, Piston, Standard	165	94289	Nut, Wing
	391286	Pin Assy., Piston .005" Oversize	187	299146	Line, Fuel, 28" (Cut to Suit)
29	394306	Rod Assembly, Connecting	188	93535	Screw, Hex Head
	397158	Rod Assembly, Connecting, .020" Undersize Crankpin Bore	201	262683	Link, Governor
32	94671	Screw, Connecting Rod	202	262684	Link, Throttle
33	390420	Valve, Exhaust	203	280997	Crank, Bell
34	261528	Valve, Intake	203A	490207	Crank, Bell
		Uses: 393606 Seal Assembly and Retainer (Key Number 868)	205	93971	Screw, Shoulder
35	65906	Spring, Intake Valve	206	94298	Nut, Square
36	26828	Spring, Exhaust Valve	207	262337	Spring, Compression
40	221596	Retainer, Intake Valve	209	262352	Spring, Governor
41	292260	Rotocoil, Exhaust Valve	209A	261563	Spring, Governor Idle
42	93630	Retainer, Exhaust Valve Rotocoil(2)			
			*		Included in Gasket Set (491856)
			**		Included in Carburetor Overhaul Kit (491539)
			***		Included in both Gasket Set (491856), and Carburetor Overhaul Kit (491539)

**NOTE:** All component dimensions given in U.S. inches  
1 inch = 25.4 mm

# REPAIR PARTS

## 18 HP 42" TRACTOR - - MODEL NUMBER 917.254860

### BRIGGS & STRATTON ENGINE - MODEL NUMBER 422707, TYPE NUMBER 1522-01

KEY PART NO. NO.	DESCRIPTION	KEY PART NO. NO.	DESCRIPTION
216 262375	Link	525 495348	Tube, Oil Filler
219 393415	Oil Slinger Assembly	528 393815	Impulse Line and Clamp Assembly
219A 394348	Gear, Governor	535 271271	Element, Air Cleaner
220 222773	Washer, Thrust	537 271411	*** Gasket, Air Cleaner
222 491282	Plate Assembly, Governor Control	552 262332	Lower Bushing, Governor
224 94297	Screw, Pan Head	552A 262331	Upper Bushing, Governor
227 491297	Lever Assembly, Governor	556 93585	Screw, Sems, Hex Head
229 62199	Washer	562 93853	Bolt, Governor Lever
230 223882	Washer, Governor Crank, Inside	567 93777	Screw, Hex Head, Back Plate to Cylinder
232 262539	Spring, Governor Control	569 276062	* Gasket, Crankcase
235 224039	Shield, Spitback	572 224580	Baffle, Air, Cylinder Number 2
240 493629	Filter, Fuel (In Fuel Line to Tank)	573 491304	Back Plate Assembly
244 230318	Connector, Impulse Pump	592 92278	Nut, Hex
257 93897	Screw, Sems	601 93053	Clamp, Fuel Line
258 93949	Screw, Sems	615 94296	Retainer, E-Ring
259 223890	Bracket, Cable	616 491530	Crank, Governor
265 221535	Clamp, Casing	634 271013	** Washer, Throtte Shaft
267 93496	Screw, Hex Head	634A 491287	Seal, Governor Shaft
284 94264	Screw, Hex Head	635 66538	Elbow, Spark Plug
284A 93469	Screw, Hex Head	642 223579	Cover, Air Cleaner
304 492656	Housing, Blower	643 223714	Cartridge Plate, Air Cleaner
305 94608	Screw, Sems 1/2	726 391362	Gear, Flywheel Ring (Includes Mounting Parts)
	94513		Gear, Timing
306-1 222846	Shield, Cylinder	741 262694	Screw, Hex Head
306-2 223734	Shield, Cylinder	819 94675	Seal, Oil Filler Cap
307 94386	Screw, Sems	842 271170	Dipstick and Tube Assembly
308-1 222848	Cover, Air Guide	847 394394	Terminal, Ignition Cable
308-2 222849	Cover, Air Guide	851 221798	**** Diaphragm, Damping
309 - - -	Motor, Starting (See Chart on Illustrated Pages for Part Numbers)	858 270989	**** Gasket, Carburetor Pump
		859 271025	**** Spring (2)
319 394988	Armature Assembly	860 261358	Repair Kit, Pump
332 230674	Nut, Hex	861 393397	Seal Assembly and Retainer
333 394891	Armature Group, MAGNETRON® Ignition	868 393606	Seat, Intake Valve, Standard
		869 261463	Seat, Exhaust Valve, Standard
334 93381	Screw, Sems, Armature Mounting	870 213316	Guide, Exhaust Valve
337 802592	Plug, Spark, Resistor (with Gasket)	871 261961	Guide, Intake Valve (See Manual)
		231218	Connector Assembly
356 494705	Wire, Ground	877 393456	Cover Plate, Crankcase
358 491856	Gasket Set	881 212455	Plug and Seal, Solenoid
363 19203	Puller, Flywheel (Optional Accy.)	955 397882	Fan, Flywheel
383 89838	Wrench, Spark Plug	1005 280815	Retainer, Fan
387 280197	Body, Pump	1006 224413	Decal Kit
392 261395	**** Spring, Pump	1019 491262	
394 270988	**** Diaphragm		
414 223882	Washer		
422 222875	Clamp, Oil Filler		
432 221377	**** Cap, Spring		
434 223688	Cover, Diaphragm		
435 93829	Screw, Diaphragm Cover		
445 394019	Cartridge, Air Cleaner		
467 493903	Knob, Air Cleaner		
468 224521	Screen, Flush Rotating		
474 393474	Stator, Alternator, Dual Circuit		
482 93621	Screw, Sems		
523 494927	Cap and Dipstick, Oil Filler		
524 271157	Seal, Filler Tube		
524A 271485	Seal, Tube		

RPM Settings: Low: 1200-1600, High: 3200-3400

- \* Included in Gasket Set (491856)
- \*\* Included in Carburetor Overhaul Kit (491539)
- \*\*\* Included in both Gasket Set (491856), and Carburetor Overhaul Kit (491539)
- \*\*\*\* Included in both Carburetor Overhaul Kit (491539), and Pump Repair Kit (393397)

**NOTE:** All component dimensions given in U.S. inches  
1 inch = 25.4 mm

---

# SERVICE NOTES

---