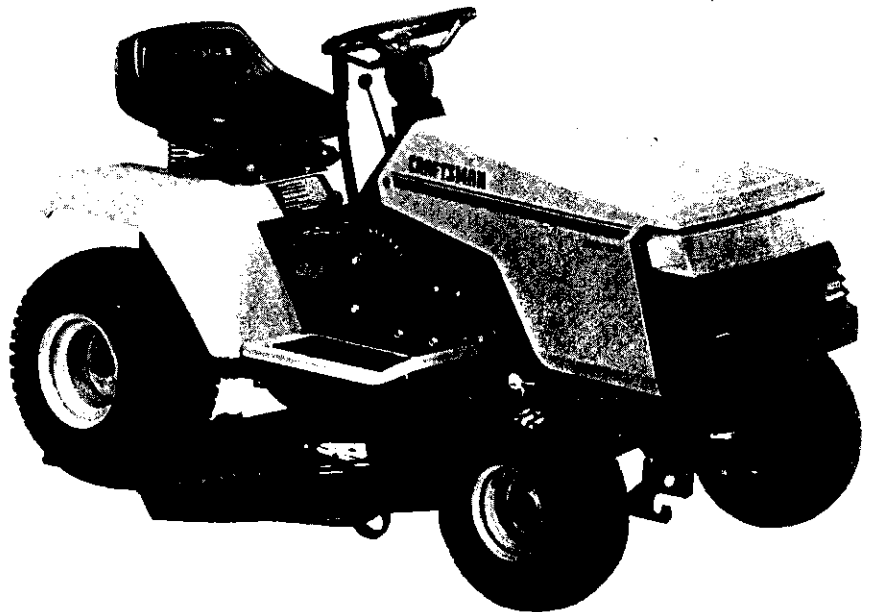


SEARS

CRAFTSMAN[®]

MODEL NUMBER 917.255420 OWNER'S MANUAL



- **Assembly**
- **Operation**
- **Customer Responsibilities**
- **Service**
- **Adjustments**
- **Repair Parts**

Caution:
Read and Follow
all Safety Rules
and Instructions
Before Operating
This Equipment

Sears, Roebuck and Co., Hoffman Estates, IL 60179 U.S.A.



SAFETY RULES

Safe Operation Practices for Ride-On Mowers



IMPORTANT: THIS CUTTING MACHINE IS CAPABLE OF AMPUTATING HANDS AND FEET AND THROWING OBJECTS. FAILURE TO OBSERVE THE FOLLOWING SAFETY INSTRUCTIONS COULD RESULT IN SERIOUS INJURY OR DEATH.

I. GENERAL OPERATION

- Read, understand, and follow all instructions in the manual and on the machine before starting.
- Only allow responsible adults, who are familiar with the instructions, to operate the machine.
- Clear the area of objects such as rocks, toys, wire, etc., which could be picked up and thrown by the blade.
- Be sure the area is clear of other people before mowing. Stop machine if anyone enters the area.
- Never carry passengers.
- Do not mow in reverse unless absolutely necessary. Always look down and behind before and while backing.
- Be aware of the mower discharge direction and do not point it at anyone. Do not operate the mower without either the entire grass catcher or the guard in place.
- Slow down before turning.
- Never leave a running machine unattended. Always turn off blades, set parking brake, stop engine, and remove keys before dismounting.
- Turn off blades when not mowing.
- Stop engine before removing grass catcher or unclogging chute.
- Mow only in daylight or good artificial light.
- Do not operate the machine while under the influence of alcohol or drugs.
- Watch for traffic when operating near or crossing roadways.
- Use extra care when loading or unloading the machine into a trailer or truck.

II. SLOPE OPERATION

Slopes are a major factor related to loss-of-control and tipover accidents, which can result in severe injury or death. All slopes require extra caution. If you cannot back up the slope or if you feel uneasy on it, do not mow it.

DO:

- Mow up and down slopes, not across.
- Remove obstacles such as rocks, tree limbs, etc.
- Watch for holes, ruts, or bumps. Uneven terrain could overturn the machine. *Tall grass can hide obstacles.*
- Use slow speed. Choose a low gear so that you will not have to stop or shift while on the slope.
- Follow the manufacturer's recommendations for wheel weights or counterweights to improve stability.
- Use extra care with grass catchers or other attachments. These can change the stability of the machine.
- Keep all movement on the slopes *slow* and *gradual*. Do not make sudden changes in speed or direction.
- Avoid starting or stopping on a slope. If tires lose traction, disengage the blades and proceed slowly *straight* down the slope.

DO NOT:

- *Do not* turn on slopes unless necessary, and then, turn slowly and gradually downhill, if possible.
- *Do not* mow near drop-offs, ditches, or embankments. The mower could suddenly turn over if a wheel is over the edge of a cliff or ditch, or if an edge caves in.
- *Do not* mow on wet grass. Reduced traction could cause sliding.
- *Do not* try to stabilize the machine by putting your foot on the ground.
- *Do not* use grass catcher on steep slopes.

III. CHILDREN

Tragic accidents can occur if the operator is not alert to the presence of children. Children are often attracted to the machine and the mowing activity. *Never* assume that children will remain where you last saw them.

- Keep children out of the mowing area and under the watchful care of another responsible adult.
- Be alert and turn machine off if children enter the area.
- Before and when backing, look behind and *down* for small children.
- Never carry children. They may fall off and be seriously injured or interfere with safe machine operation.
- Never allow children to operate the machine.
- Use extra care when approaching blind corners, shrubs, trees, or other objects that may obscure vision.

IV. SERVICE

- Use extra care in handling gasoline and other fuels. They are flammable and vapors are explosive.
 - Use only an approved container.
 - Never remove gas cap or add fuel with the engine running. Allow engine to cool before refueling. Do not smoke.
 - Never refuel the machine indoors.
 - Never store the machine or fuel container inside where there is an open flame, such as a water heater.
- Never run a machine inside a closed area.
- Keep nuts and bolts, especially blade attachment bolts, tight and keep equipment in good condition.
- Never tamper with safety devices. Check their proper operation regularly.
- Keep machine free of grass, leaves, or other debris build-up. Clean oil or fuel spillage. Allow machine to cool before storing.
- Stop and inspect the equipment if you strike an object. Repair, if necessary, before restarting.
- Never make adjustments or repairs with the engine running.
- Grass catcher components are subject to wear, damage, and deterioration, which could expose moving parts or allow objects to be thrown. Frequently check components and replace with manufacturer's recommended parts, when necessary.
- Mower blades are sharp and can cut. Wrap the blade(s) or wear gloves, and use extra caution when servicing them.
- Check brake operation frequently. Adjust and service as required.



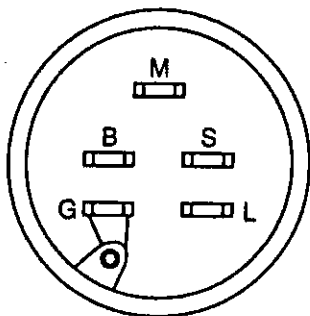
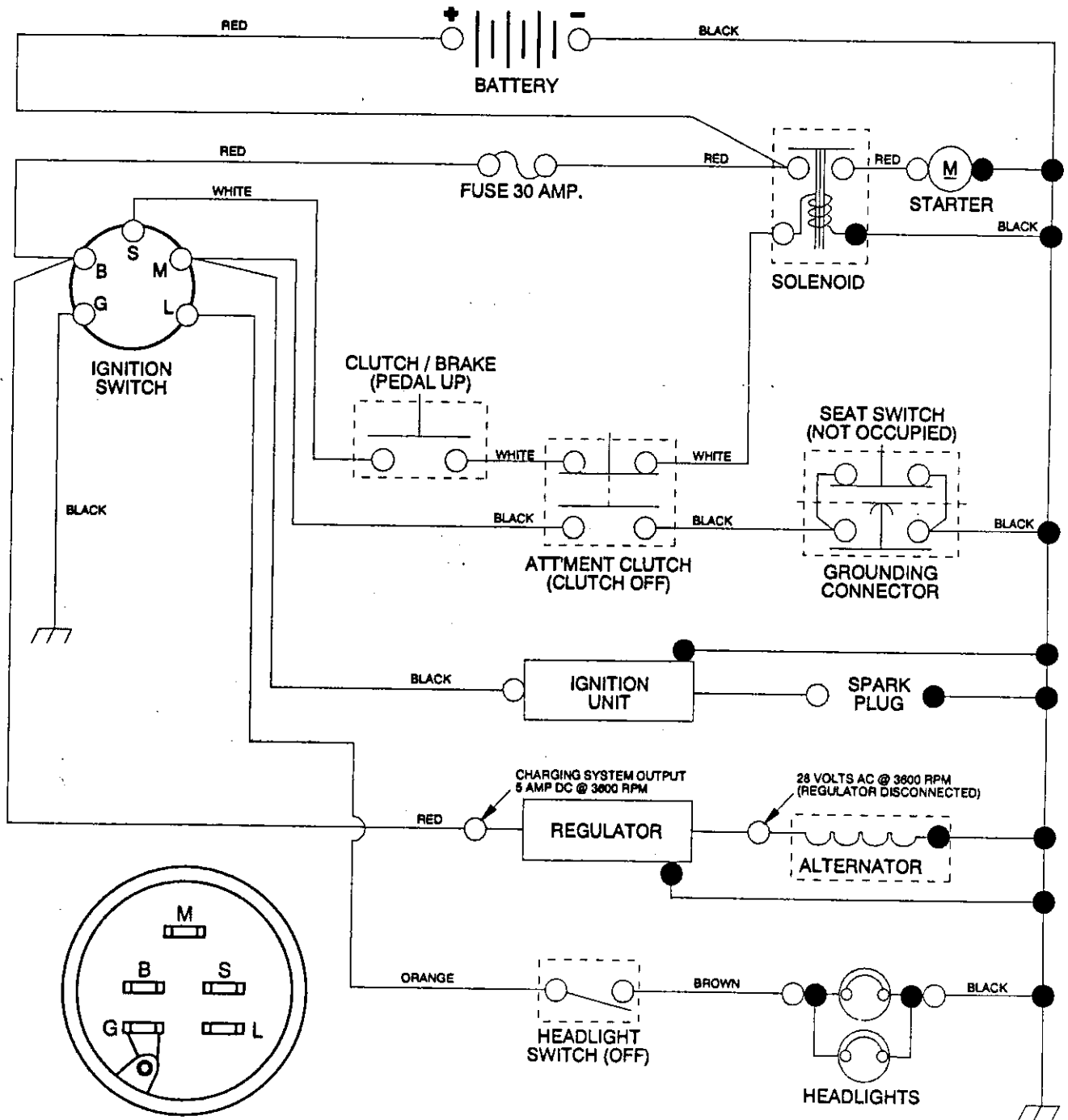
Look for this symbol to point out important safety precautions. It means CAUTION!!! BECOME ALERT!!! YOUR SAFETY IS INVOLVED.



CAUTION: Always disconnect spark plug wire and place wire where it cannot contact spark plug in order to prevent accidental starting when setting up, transporting, adjusting or making repairs.

12.5 HP 38" TRACTOR - - MODEL NUMBER 917.255420

SCHEMATIC



IGNITION SWITCH

POSITION	CIRCUIT
OFF	M + G
ON	B + L
START	B + S

WIRING INSULATED CLIPS

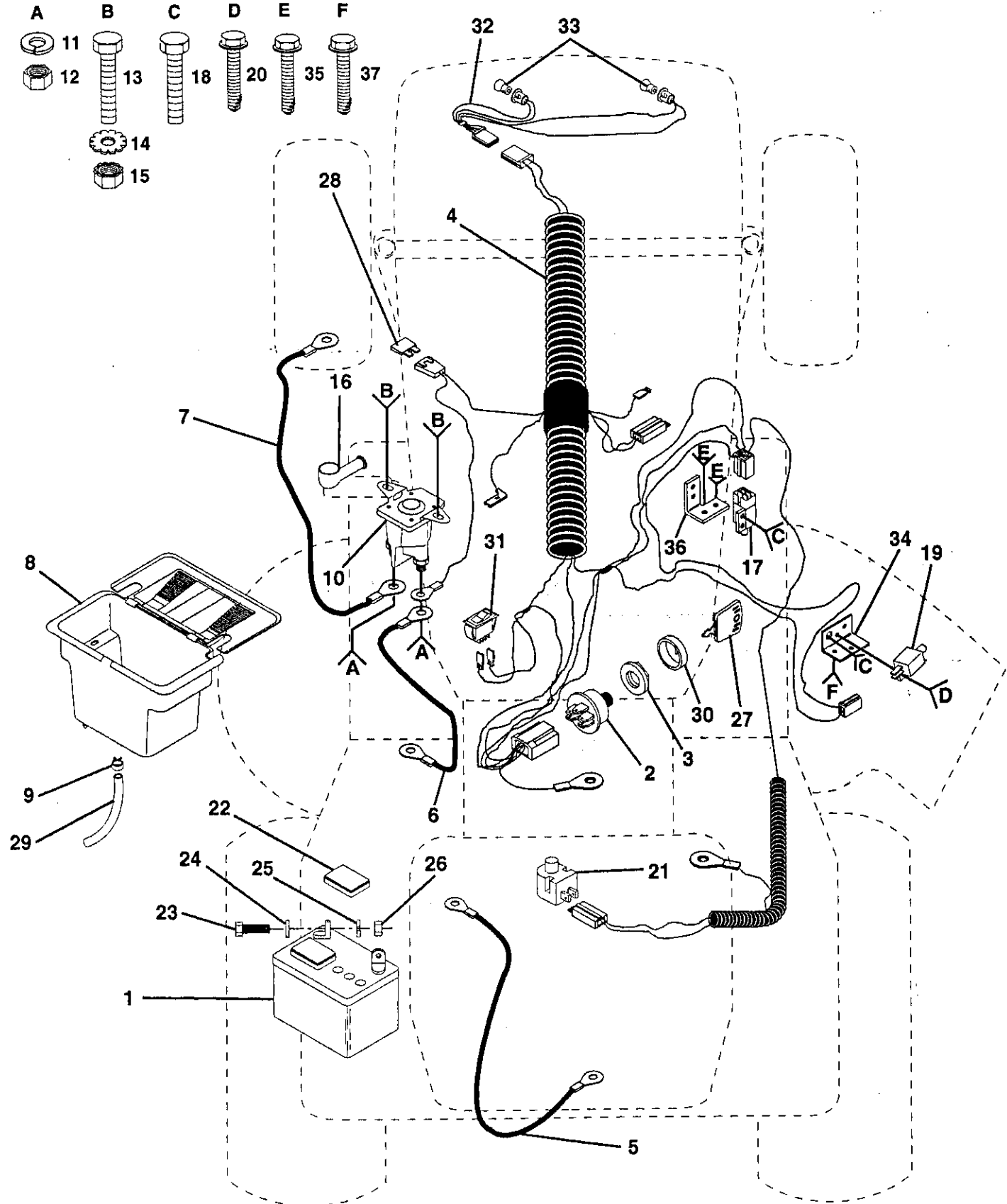
NOTE: IF WIRING INSULATED CLIPS WERE REMOVED FOR SERVICING OF UNIT, THEY SHOULD BE REPLACED TO PROPERLY SECURE YOUR WIRING

- — REMOVABLE CONNECTIONS
- — NON-REMOVABLE CONNECTIONS

REPAIR PARTS

12.5 HP 38" TRACTOR - - MODEL NUMBER 917.255420

ELECTRICAL



REPAIR PARTS

12.5 HP 38" TRACTOR - - MODEL NUMBER 917.255420

ELECTRICAL

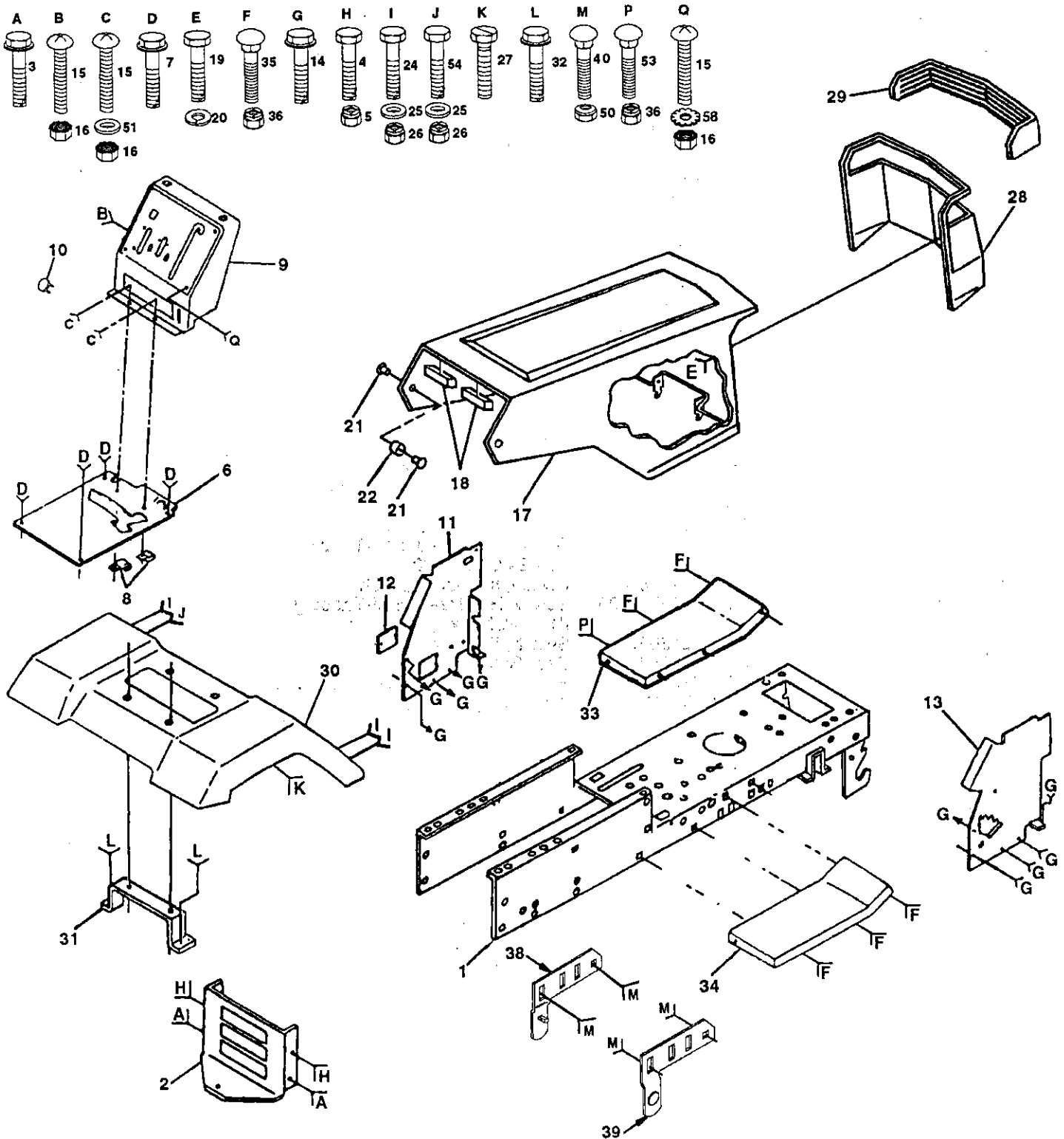
KEY PART NO.	NO.	DESCRIPTION
1	121265X	Battery
2	STD365402	Switch, Ignition
3	124211X	Nut, Ignition
4	133433	Harness, Ignition
5	4207J	Cable, Ground
6	132202	Cable, Battery
7	108423X	Cable, Battery
8	129965	Box, Battery
9	109596X	Clamp, Hose
10	138406	Solenoid
11	STD551125	Washer, Lock 1/4
12	73350400	Nut, Hex, Jam 1/4-20 UNC
13	74780408	Bolt, Hex Head, Fin. 1/4-20 UNC x 1/2 Grade 5
14	STD551225	Washer, Lock, External Tooth 1/4
15	STD541425	Nut, Hex, Keps 1/4-20 UNC
16	131563	Cover, Terminal
17	109553X	Switch, Interlock, Clutch
18	STD601005	Screw, Hex Head, Self-Tapping #10-24 UNC x 1/2
19	104445X	Switch, Interlock, Clutch
20	STD601005	Screw, Hex Head, Self-Tapping #10-24UNC x 1/2
21	121305X	Switch, Plunger
22	121264X	Cap, Battery
23	74760412	Bolt, Hex Head 1/4-20 UNC x 3/4
24	STD551025	Washer 9/32 x 5/8 x 16 Gauge
25	STD551125	Washer, Lock, Heavy Helical Spring 1/4
26	STD541025	Nut, Hex, Fin. 1/4-20 UNC
27	109310X	Key, Ignition
28	108824X	Fuse, 30 Amp
29	109238X	Tube, Plastic
30	123620X	Cover, Key Switch
31	110712X	Switch, Light
32	127441X	Harness, Light Socket
33	4152J	Bulb, Light
34	108236X	Bracket, Clutch Switch
35	STD601005	Screw, Hex Head, Self-Tapping #10-24UNC x 1/2
36	130890	Bracket Switch Interlock
37	STD601005	Screw, Hex Head, Self-Tapping #10-24UNC x 1/2

NOTE: All component dimensions given in U.S. inches
1 inch = 25.4 mm

REPAIR PARTS

12.5 HP 38" TRACTOR - - MODEL NUMBER 917.255420

CHASSIS AND ENCLOSURES



REPAIR PARTS

12.5 HP 38" TRACTOR - - MODEL NUMBER 917.255420

CHASSIS AND ENCLOSURES

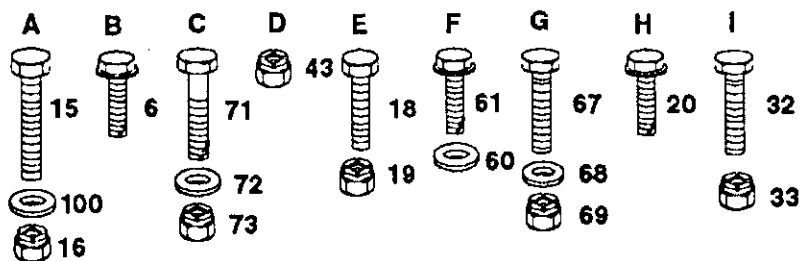
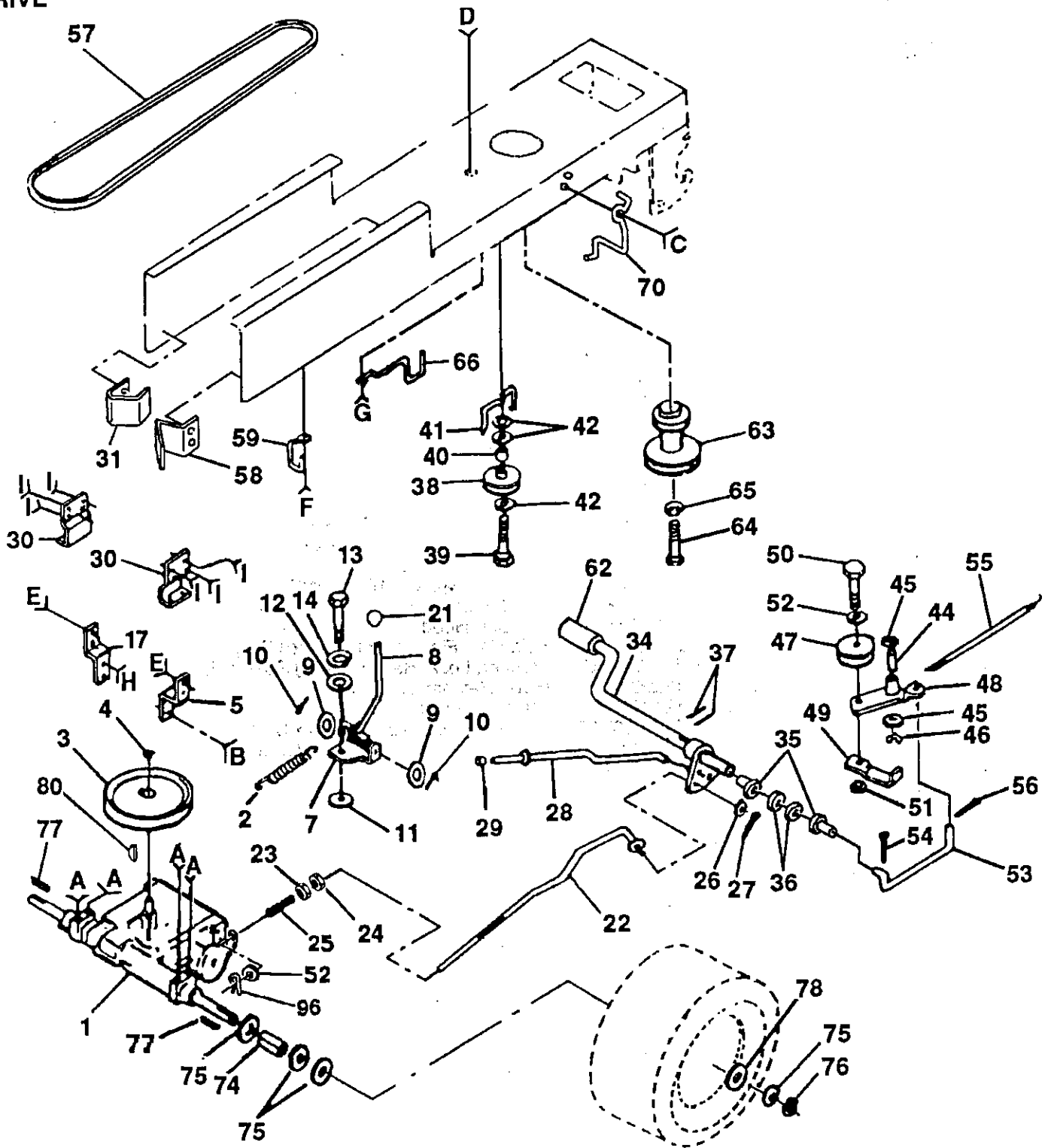
KEY PART NO.	NO.	DESCRIPTION
1	135034	Chassis Assembly
2	137275	Drawbar
3	17490612	Screw, Thd., Roll. 3/8-16 x 3/4
4	STD523707	Bolt, Hex, Fin. 3/8-16 UNC x 3/4
5	STD541437	Nut, Crownlock 3/8-16 UNC
6	124466X018	Saddle
7	17490608	Screw, Thd., Roll. 3/8-16 x 1/2
8	2751R	Clip, Fuel Line
9	137411X012	Dashboard
10	5479J	Plug, Button
11	122795X	Panel, Dash, LH
12	121794X	Cover, Access
13	124031X012	Panel, Dash, RH
14	17490608	Screw, Thd., Roll. 3/8-16 x 1/2
15	74180512	Screw, Machine, Truss Head 5/16-18 UNC x 3/4
16	STD541431	Nut, Hex, Keps 5/16-18 UNC
17	131445X417	Hood Assembly
18	126938X	Bumper, Hood
19	STD512505	Bolt, Hex, Fin. 1/4-20 UNC x 1/2
20	STD551125	Washer, Lock, Heavy Helical Spring 1/4
21	122933X	Rivet, Ratchet, Nylon
22	124479X	Washer, Nylon
24	STD523707	Bolt, Hex, Fin. 3/8-16 UNC x 3/4
25	19131312	Washer 13/32 x 13/16 x 12 Gauge
26	STD541437	Nut, Crownlock 3/8-16 UNC
27	17490608	Screw, Thd., Roll. 3/8-16 x 1/2
28	123915X	Grill
29	124029X	Lens, Headlight Bar
30	109872X417	Fender
31	109873X	Bracket, Fender
32	17490612	Screw, Thd., Roll. 3/8-16 x 3/4
33	105465X417	Footrest, Perforated, LH
34	105464X417	Footrest, Perforated, RH
35	STD533707	Bolt, Carriage 3/8-16 x 3/4
36	STD541437	Nut, Crownlock 3/8-16 UNC
38	134618	Bracket Assembly, Pivot, Mower, Rear, LH
39	134617	Bracket Assembly, Pivot, Mower, Rear, RH
40	72140608	Bolt, Carriage 3/8-16 x 1
50	STD541437	Locknut, Hex, with Washer Insert 3/8-16 UNC
51	19131216	Washer 13/32 x 3/4 x 16 Ga
53	72140608	Carriage Bolt 3/8 - 16 x 1
54	74760614	Bolt Hex 3/8 - 16 x 7/8
58	11050600	Washer lock ext. tooth 3/8

NOTE: All component dimensions given in U.S. inches
1 inch = 25.4 mm

REPAIR PARTS

12.5 HP 38" TRACTOR - - MODEL NUMBER 917.255420

DRIVE



REPAIR PARTS

12.5 HP 38" TRACTOR - - MODEL NUMBER 917.255420

DRIVE

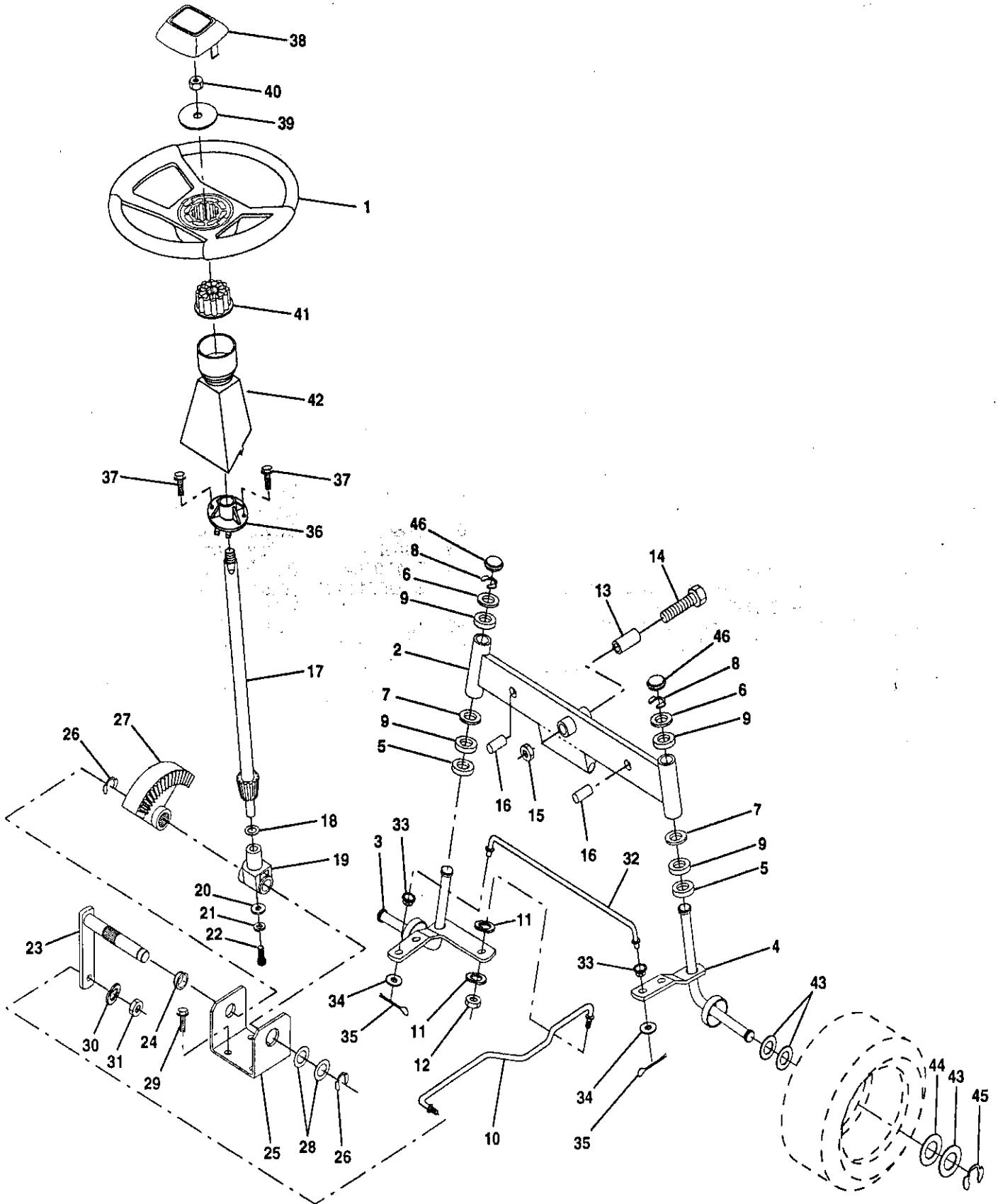
KEY PART NO. NO.	DESCRIPTION	KEY PART NO. NO.	DESCRIPTION
1 127050X	Transaxle, Peerless, 5 Speed, Model Number 143.930-009	39 STD523727	Bolt, Hex, Fin. 3/8-16 UNC x 2-3/4
2 110422X	Spring, Brake Return, Transaxle	40 4470J	Spacer, Split
3 123666X	Pulley, Transaxle	41 109070X	Keeper, Belt Retainer
4 12000028	Ring, Retainer	42 19131312	Washer 13/32 x 13/16 x 12 Gauge
5 121520X	Strap, Torque	43 STD541437	Nut, Crownlock 3/8-16 UNC
6 17490512	Screw, Hex Head, Thd. Roll. 5/16-18 x 3/4	44 105706X	Bearing, Nylon
7 106919X	Plate, Shift	45 110812X	Washer, Hardened
8 133428	Rod, Shifter	46 12000039	Ring, Klip
9 19151216	Washer 15/32 x 3/4 x 16 Gauge	47 127783	Pulley, Idler, V-Groove
10 STD561210	Pin, Cotter 1/8 x 1	48 123789X	Bellcrank Assembly
11 105701X	Washer, Shift Plate	49 123205X	Retainer, Belt
12 19091210	Washer 9/32 x 3/4 x 10 Gauge	50 STD523715	Bolt, Hex Head 3/8-16 UNC x 1-1/2
13 71040412	Bolt, Hex Head, Fin. 1/4-28 UNF x 3/4 Grade 8	51 STD541437	Nut, Crownlock 3/8-16 UNC
14 STD551125	Washer, Lock, Heavy Helical Spring 1/4	52 STD551037	Washer 13/32 x 13/16 x 16 Gauge
15 STD523727	Bolt, Hex, Fin. 3/8-16 UNC x 2-3/4	53 105710X	Link, Clutch
16 STD541437	Nut, Crownlock 3/8-16 UNC	54 STD561210	Pin, Cotter 1/8 x 3/4
17 121520X	Strap, Torque	55 105709X	Spring, Return, Clutch
18 STD523707	Bolt, Hex, Fin. 3/8-16 UNC x 3/4	56 STD561210	Pin, Cotter 1/8 x 3/4
19 STD541437	Nut, Crownlock 3/8-16 UNC	57 125907X	V-Belt, Ground Drive
20 17490512	Screw, Hex Head, Thd. Roll. 5/16-18 x 3/4	58 127274X	Keeper, Belt, RH
21 106933X	Knob, Round	59 136715	Retainer, Belt, Chassis, LH
22 131867	Rod, Brake	60 19131312	Washer 13/32 x 13/16 x 12 Gauge
23 STD541437	Locknut, Hex, with Washer Insert 3/8-16 UNC	61 17490612	Screw, Hex Head, Thd. Roll. 3/8-16 x 3/4
24 STD541237	Nut, Hex, Jam 3/8-16 UNC	62 8883R	Cover, Pedal
25 106888X	Spring, Brake Rod	63 134825	Pulley, Engine
26 STD551037	Washer 13/32 x 13/16 x 16 Gauge	64 71170764	Bolt, Hex 7/16-20 x 4 Grade 8
27 STD561210	Pin, Cotter 1/8 x 3/4	65 STD551143	Washer, Lock, Heavy Helical Spring 7/16
28 128904	Rod, Parking Brake	66 129921	Keeper, Belt, Engine, LH
29 124236X	Cap, Parking Brake, Red	67 STD523710	Bolt, Hex, Fin. 3/8-16 UNC x 1
30 109167X	Bracket, Transmission	68 19131312	Washer 13/32 x 13/16 x 12 Gauge
31 127275X	Keeper, Belt, LH	69 STD541437	Nut, Crownlock 3/8-16 UNC
32 STD523710	Bolt, Hex, Fin. 3/8-16 UNC x 1	70 134683	Guide, Mower Drive Belt, RH
33 STD541437	Nut, Crownlock 3/8-16 UNC	71 STD523710	Bolt, Hex, Fin. 3/8-16 UNC x 1
34 122424X	Shaft Assembly, Foot Pedal	72 19132012	Washer 13/32 x 1-1/4 x 12 Gauge
35 120183X	Bearing, Nylon	73 STD541437	Nut, Crownlock 3/8-16 UNC
36 STD551062	Washer 21/32 x 1 x 16 Gauge	74 109502X	Spacer, Split
37 STD571810	Pin, Roll 3/16 x 1	75 121749X	Washer 25/32 x 1-1/4 x 16 Gauge
38 123674X	Pulley, Idler, Flat	76 STD581075	E-Ring
		77 123583X	Key, Square 2.0 x .1845/.1865
		78 121748X	Washer 25/32 x 1-5/8 x 16 Gauge
		80 2228M	Woodruff key
		96 4497H	Spring Retainer

NOTE: All component dimensions given in U.S. inches
1 inch = 25.4 mm

REPAIR PARTS

12.5 HP 38" TRACTOR - - MODEL NUMBER 917.255420

STEERING ASSEMBLY



REPAIR PARTS

12.5 HP 38" TRACTOR - - MODEL NUMBER 917.255420

STEERING ASSEMBLY

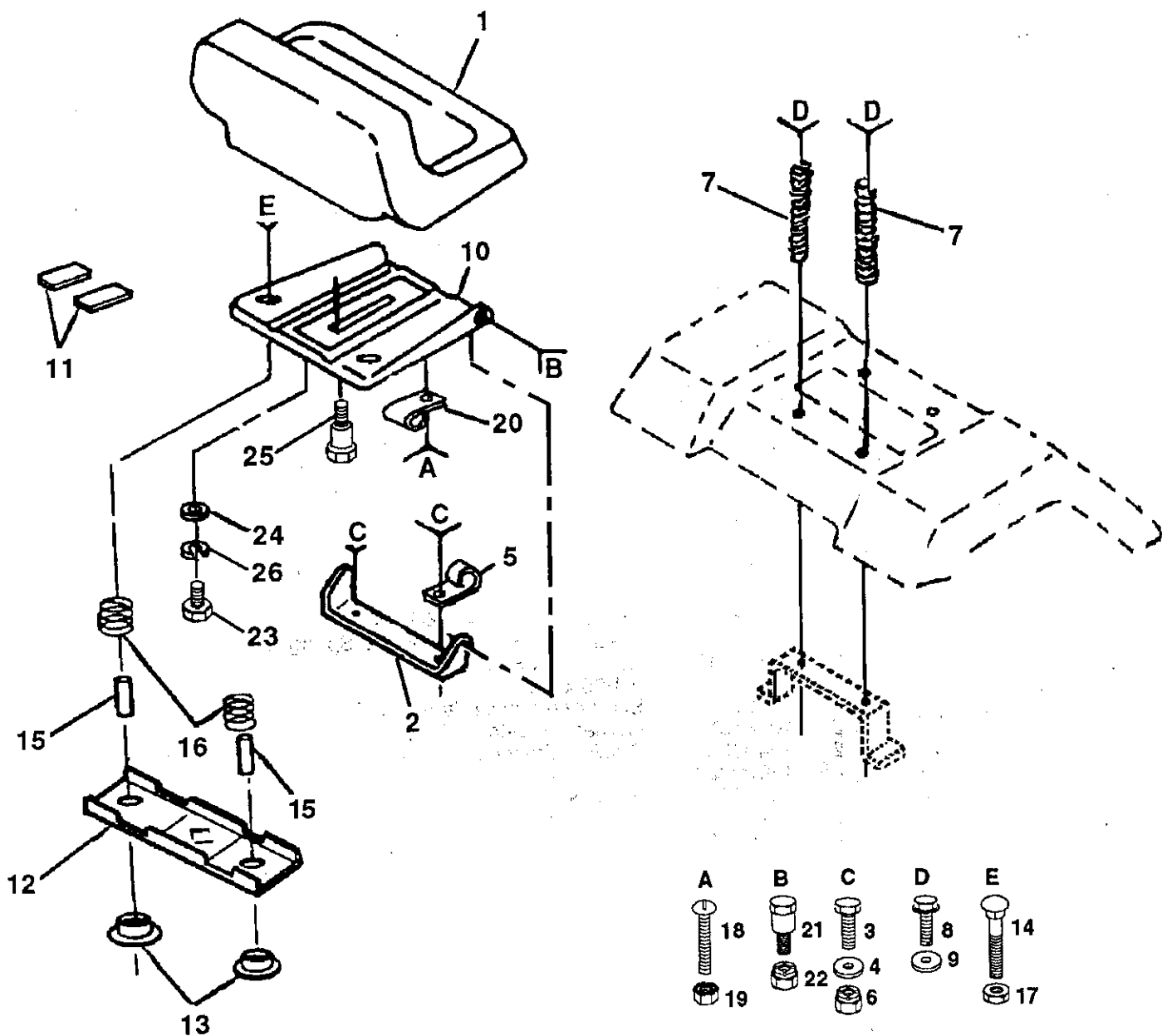
KEY PART NO.	NO.	DESCRIPTION
1	133741	Steering Wheel
2	133988	Axle Assembly, Front
3	135227	Spindle Assembly, LH
4	135228	Spindle Assembly, RH
5	6266H	Bearing, Thrust
6	121748X	Washer 25/32 x 1-5/8 x 16 Gauge
7	19272016	Washer 27/32 x 1-1/4 x 16 Gauge
8	12000029	Ring, Klip
9	3366R	Bearing, Steering Column
10	130468	Link, Drag
11	STD551137	Washer, Lock, Heavy Helical Spring 3/8
12	73610600	Nut, Hex, Fin. 3/8-24 UNF
13	110438X	Spacer, Bearing, Front Axle
14	74011056	Bolt, Hex Head 5/8-11 UNC x 3-1/2
15	73601000	Locknut, Hex, Jam, with Washer Insert 5/8-11 UNC
16	132624	Pin, Axle 5/8 x 1.55/1.54
17	132614	Shaft Assembly, Steering
18	57079	Washer, Thrust .515 x .750 x .033
19	124035X	Support, Shaft
20	126684X	Washer, Shim 1/4 x 5/8 x .062
21	STD551125	Washer, Lock, Heavy Helical Spring 1/4
22	71070410	Screw, Hex Socket Head 1/4-20 x 5/8
23	127501	Shaft Assembly, Pittman
24	109816X	Nyliner, Snap-In
25	124036X	Bracket, Steering
26	12000029	Ring, Klip
27	136874	Gear, Sector
28	6266H	Bearing, Thrust
29	17490612	Screw, Thd. Roll. 3/8-16 x 3/4
30	STD551137	Washer, Lock, Heavy Helical Spring 3/8
31	73610600	Nut, Hex, Fin. 3/8-24 UNF
32	130465	Rod, Tie
33	126847X	Bushing, Tie Rod
34	19131416	Washer 13/32 x 7/8 x 16 Gauge
35	STD561210	Pin, Cotter 1/8 x 3/4
36	132196	Bushing, Steering
37	STD611005	Screw, Self-Tapping #10-16 x 1/2
38	133742	Insert, Steering Wheel
39	19133808	Washer 13/32 x 2-3/8 x 8 Gauge
40	STD541537	Nut, Centerlock 3/8-24 UNF
41	104820X	Adaptor, Steering Wheel
42	124417X	Boot, Steering Shaft
43	121749X	Washer 25/32 x 1-1/4 x 16 Gauge
44	121748X	Washer 25/32 x 1-5/8 x 16 Gauge
45	12000029	Ring, Klip
46	121232X	Cap, Spindle

NOTE: All component dimensions given in U.S. inches
1 inch = 25.4 mm

REPAIR PARTS

12.5 HP 38" TRACTOR -- MODEL NUMBER 917.255420

SEAT ASSEMBLY



KEY PART NO. NO.	DESCRIPTION
1 127436	Seat
2 126656X	Bracket, Pivot, Seat
3 STD523707	Bolt, Hex, Fin. 3/8-16 UNC x 3/4
4 19131610	Washer 13/32 x 1 x 10 Gauge
5 2751R	Clip, Fuel Line
6 STD541437	Nut, Crownlock 3/8-16 UNC
7 124181X	Spring, Seat
8 17490616	Screw, Thd. Roll. 3/8-16 x 1
9 19131614	Washer 13/32 x 1 x 14 Gauge
10 131451	Pan, Seat
11 121251X	Strip, Foam
12 121246X	Bracket, Switch Mounting
13 121248X	Bushing, Snap
14 72050411	Bolt, Carriage 1/4-20 x 1-3/8
15 134300	Spacer, Split

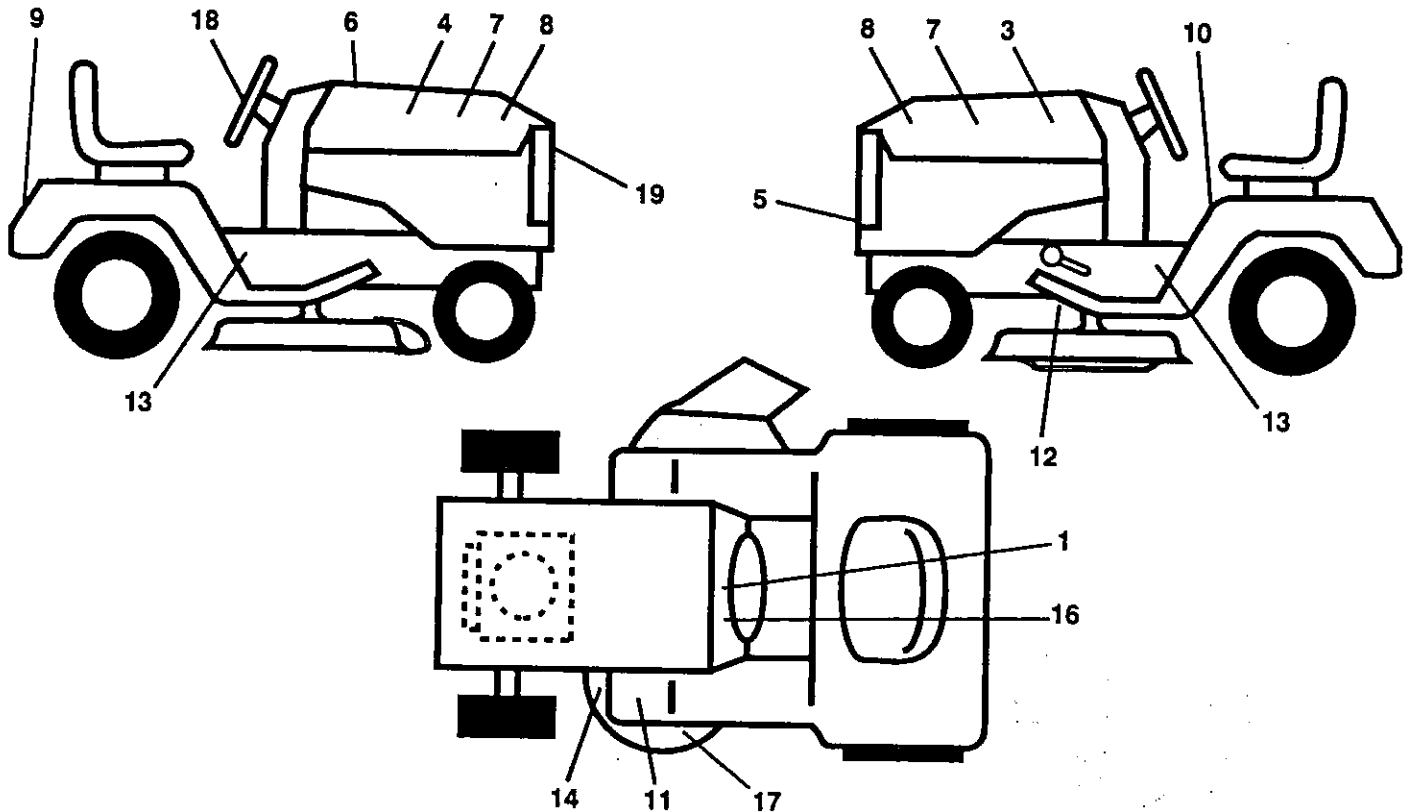
KEY PART NO. NO.	DESCRIPTION
16 121250X	Spring
17 123976X	Locknut 1/4 Grade 5
18 STD511005	Screw, Slotted Pan Head #10-32 x 1/2
19 73951000	Nut, Hex, Keps #10-32 UNF
20 4171R	Clip, Insulated
21 105529X	Bolt, Shoulder 5/16-18 UNC
22 STD541431	Nut, Crownlock 5/16-18
23 74780814	Bolt, Hex, Fin. 1/2-13 x 7/8 Grade 5
24 19171912	Washer 17/32 x 1-3/16 x 12 Gauge
25 127018X	Bolt, Shoulder 5/16-18 x .62
26 STD551150	Washer, Lock, Heavy Helical Spring 1/2

NOTE: All component dimensions given in U.S. inches
1 inch = 25.4 mm

REPAIR PARTS

12.5 HP 38" TRACTOR - - MODEL NUMBER 917.255420

DECALS



KEY PART NO. NO.

DESCRIPTION

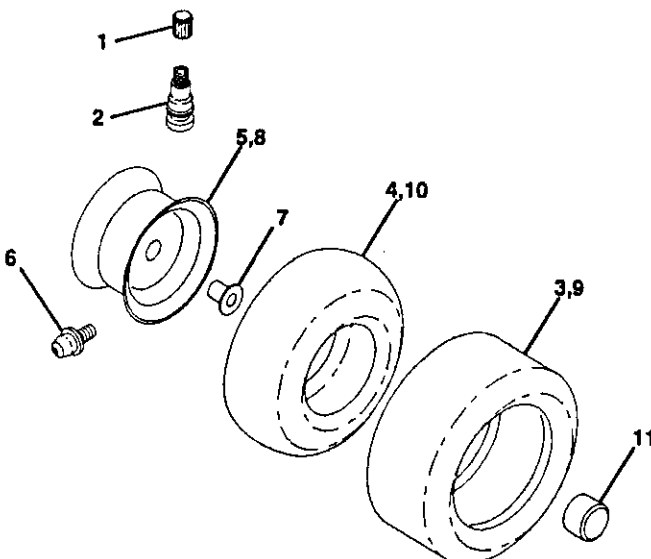
1	136794	Decal, Operating Instruction
3	124489X	Decal, Craftsman, Hood, LH
4	124490X	Decal, Craftsman, Hood, RH
5	132674	Decal, LT4000, Craftsman, Grill
6	133644	Decal, Maintenance
7	138150	Decal, 12.5 HP Side Panel
8	108631X	Decal, II
9	125880X	Decal, Craftsman, Fender
10	137537	Decal, Caution
11	4900J	Decal, Clutch/Brake

KEY PART NO. NO.

DESCRIPTION

12	109199X	Decal, V-Belt Drive Schematic
13	105809X	Decal, 5 Speed, 38", Chassis
14	130929	Decal, Mower Drive Schematic
16	138834	Decal, Dash
17	133179	Decal, Mower QC System
18	132267	Decal, Craftsman, USA, Steering Wheel Insert
19	131265	Decal, Lightbox
--	138311	Decal, Lift Handle
--	137662	Manual, Owner's (English)
--	137676	Manual, Owner's (Spanish)

WHEELS & TIRES



KEY PART NO. NO.

DESCRIPTION

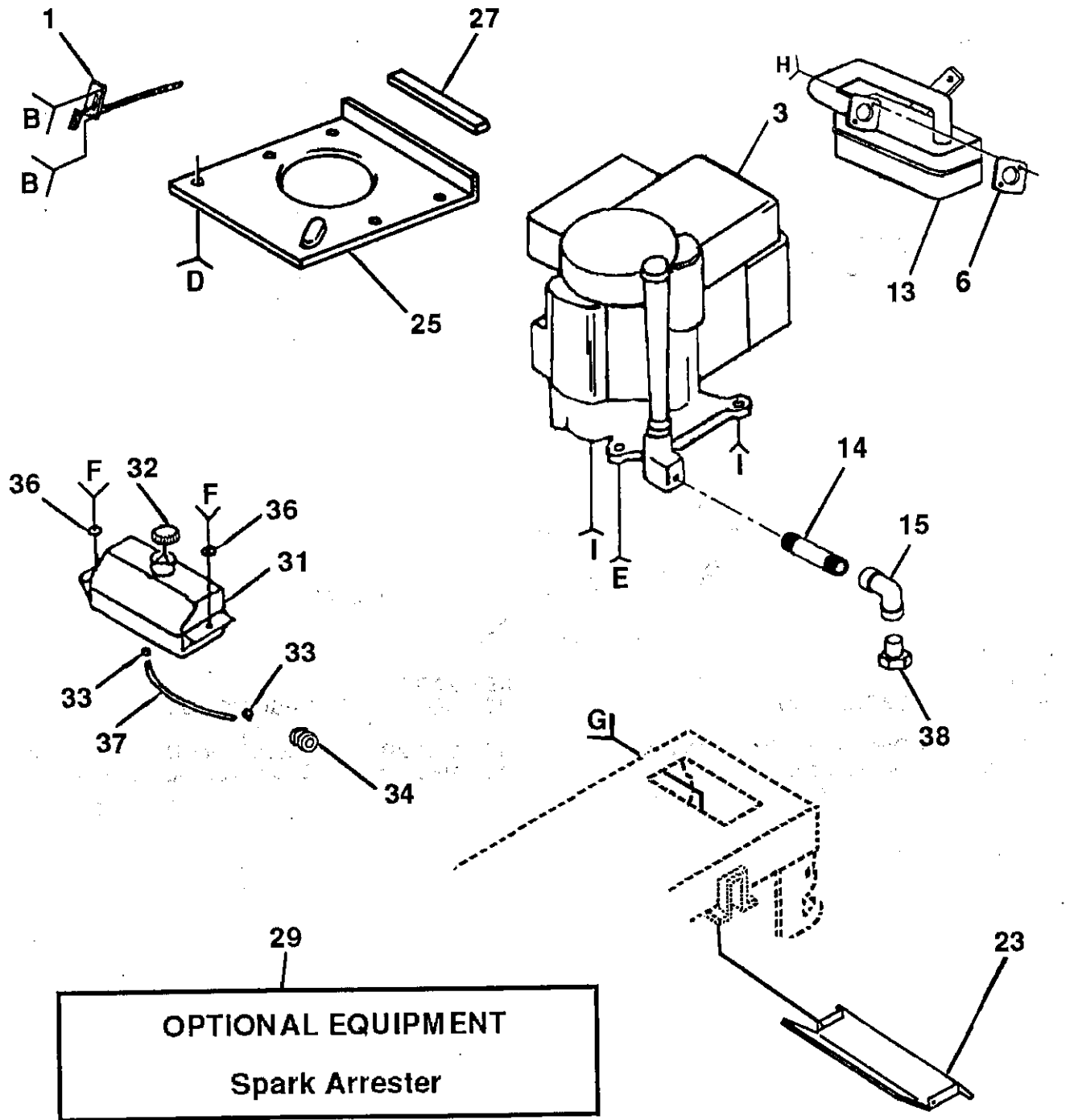
1	59192	Cap, Valve
2	65139	Stem, Valve
3	106222X	Tire, Front
4	59904	Tube, Tire, Front (Optional, Service Item Only)
5	106732X361	Rim Assembly, Front
6	278H	Fitting, Grease
7	9040H	Bearing, Flange
8	106108X361	Rim Assembly, Rear
9	124635X	Tire, Rear
10	7152J	Tube, Tire, Rear (Optional, Service Item Only)
11	104757X	Cover, Axle

NOTE: All component dimensions given in U.S. inches
1 inch = 25.4 mm

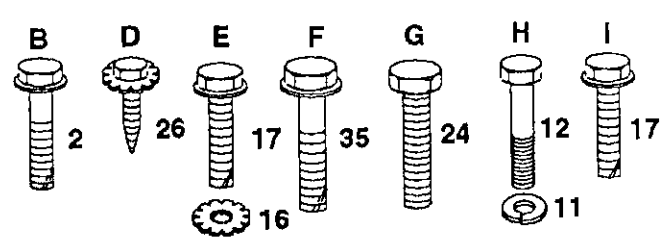
REPAIR PARTS

12.5 HP 38" TRACTOR - - MODEL NUMBER 917.255420

ENGINE



OPTIONAL EQUIPMENT
Spark Arrester



REPAIR PARTS

12.5 HP 38" TRACTOR - - MODEL NUMBER 917.255420

ENGINE

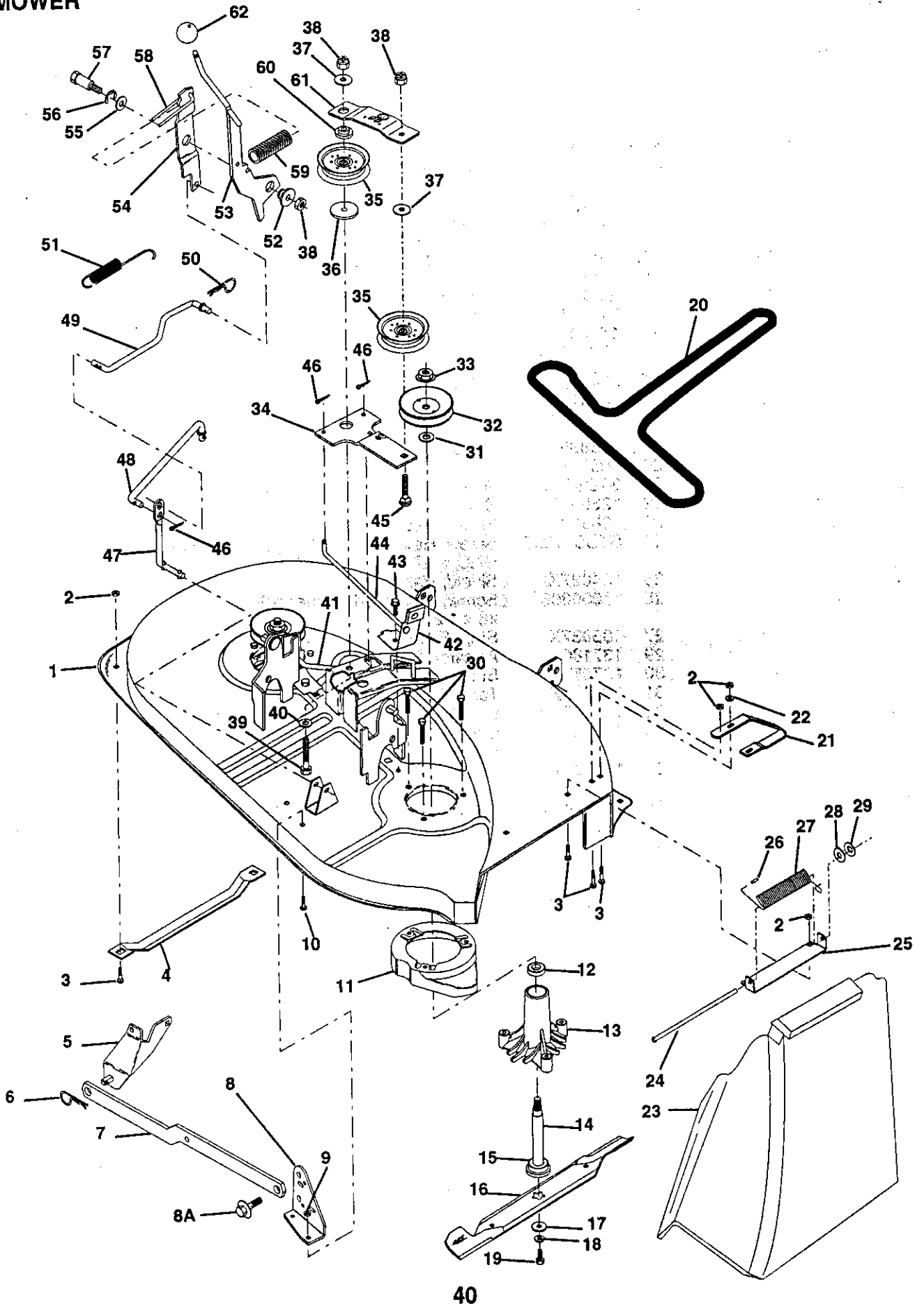
KEY PART NO.	PART NO.	DESCRIPTION
1	132761	Control, Throttle
2	17720410	Screw, Hex Head, Thread Cutting 1/4-20 x 5/8
3	131623	Engine Model Number 143.436042
6	125593X	Gasket
11	STD551131	Washer, Lock, Heavy Helical Spring 5/16
12	71070512	Screw, Hex Cap Head 5/16-18 x 3/4
13	137349	Muffler, Exhaust
14	13280324	Nipple, Pipe 3/8 NPT x 3
15	13200300	Elbow, Standard 90° 3/8-18 NPT
16	STD551237	Washer, Lock, External Tooth 3/8
17	17490620	Screw, Thd., Roll. 3/8-16 x 1-1/4
18	136718	Shield, Heat
19	105839X	Receptacle, 1/4 Turn
20	105838X	Retainer, 1/4 Turn
21	STD551025	Washer 9/32 x 5/8 x 16 Gauge
22	123650X	Stud, 1/4 Turn
23	128953	Shield, Heat
24	STD601005	Screw, Hex Head, Self-Tapping #10-24 UNC x 1/2
25	124027X	Shield, Heat, Hood
26	17030808	Screw, Hex Head, Spiderlock #8 x 1/2 AB
27	105037X	Strip, Foam
29	137180	Arrestor, Spark
30	127057X	Strap, Hood
31	109202X	Tank, Fuel
32	123549X	Cap Assembly, Fuel Tank, Vented
33	123487X	Clamp, Hose
34	124028X	Bushing, Snap, Nylon, Fuel Line
35	17490412	Screw, Hex Washer Head, Thd., Roll. 1/4-20 x 3/4
36	19091416	Washer 9/32 x 7/8 x 16 Gauge
37	101335K	Line, Fuel
38	- - -	Plug, Oil Drain (Order From Engine Manufacturer)

NOTE: All component dimensions given in U.S. inches
1 inch = 25.4 mm

REPAIR PARTS

12.5 HP 38" TRACTOR -- MODEL NUMBER 917.255420

38" MOWER



REPAIR PARTS

12.5 HP 38" TRACTOR - - MODEL NUMBER 917.255420

38" MOWER

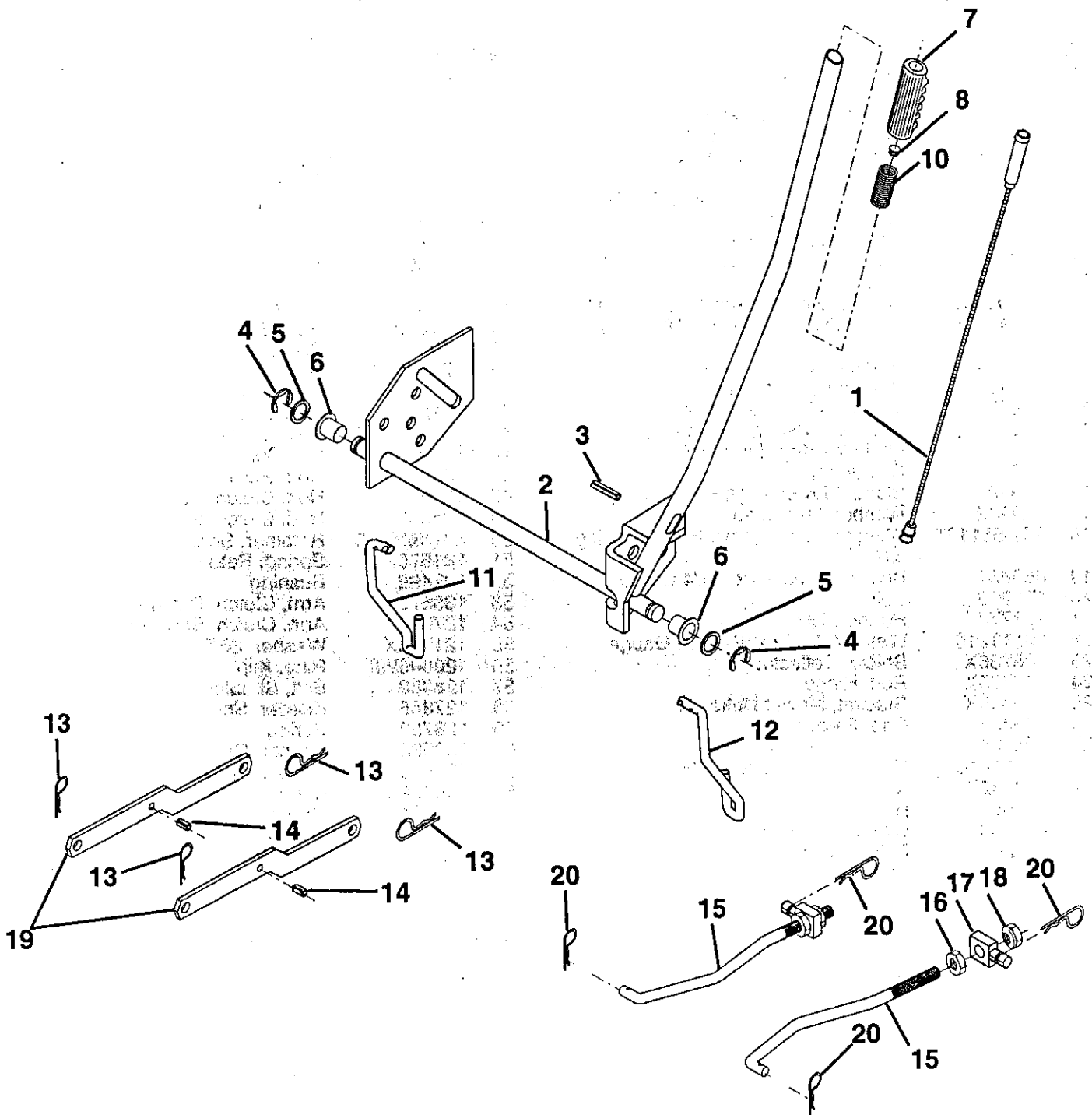
KEY PART NO. NO.	DESCRIPTION	KEY PART NO. NO.	DESCRIPTION
1	138026 Mower Housing Assembly	33	73050900 Nut, Flangelock 9/16
2	STD541431 Nut, Crownlock 5/16-18	34	133840 Idler Arm Assembly
3	STD533107 Bolt, Carriage 5/16-18 x 3/4	35	131494 Pulley, Idler, Flat
4	7631J Runner, LH	36	122052X Spacer, Retainer 1-3/4
5	138017 Bracket Asm. Fram Sway Bar 38/42	37	19131612 Washer 13/32 x 1 x 12 Gauge
6	4939M Retainer, Spring	38	STD541437 Nut, Crownlock 3/8-16
7	130832 Asm. Suspension Rear	39	74600636 Bolt, Hex Head 3/8-16 x 2-1/4
8	138440 Bracket, Asm. Deck Sway Bar 38"	40	19131612 Washer 13/32 x 1 x 12 Gauge
8A	132827 Bolt, Shoulder	41	131289 Rod, Brake, LH
9	73800500 Locknut Hex w/insert 5/16 - 18 UNC	42	130840 Brake Assembly
10	72140506 Bolt, RdHd Sqnk 5/16 - 18 UNC x 3/4	43	17490512 Screw, Hex Head, Thd., Roll. 5/16-18 x 3/4
11	136929 Stripper, Mower, Vented	44	131288 Rod, Brake, RH
12	110485X Ball Bearing, Mandrel	45	STD533717 Bolt, Carriage 3/8-16 x 1-3/4
13	128774 Mandrel Housing, Vented	46	STD560907 Pin, Cotter 3/32 x 3/4
14	133172 Shaft and Bearing Assembly (Includes Key Number 7)	47	133551 Rod, Pivot
15	129895 Ball Bearing	48	133504 Rod, Clutch, Secondary
16	138497 Blade, Mower, High Performance	49	134666 Rod, Clutch, Primary
17	129962 Washer, Hardened	50	STD624003 Retainer, Spring
18	STD551137 Washer, Lock, Heavy Helical Spring 3/8	51	131870 Spring, Return
19	850857 Bolt, Hex 3/8-24 x 1-1/4 Grade 8	52	127498 Bushing
20	131290 Belt	53	133573 Arm, Clutch, Primary
21	128772 Runner, RH	54	127847 Arm, Clutch, Secondary
22	19111216 Washer 11/32 x 3/4 x 16 Gauge	55	121748X Washer 25/32 x 1-5/8 x 16 Gauge
23	106736X Shield, Deflector	56	12000029 Ring, Klip
24	106735X Rod, Hinge	57	128903 Bolt, Shoulder
25	105896X Bracket, Mower Deflector	58	127845 Keeper, Spring
26	105304X Cap, Sleeve	59	128759 Spring
27	106734X Spring, Deflector	60	133502 Spacer, Retainer
28	19111016 Washer 11/32 x 3/4 x 16 Gauge	61	133503 Stiffener, Idler Arm
29	110452X Nut, Push	62	106932X Knob
30	78158 Bolt, Mandrel	--	130794 Mandrel Assembly (Includes Key Numbers 12-15, 17-19, 31 and 33)
31	129963 Washer, Spacer	--	138360 Mower Deck, Complete
32	129206 Pulley, Mandrel, Single		

NOTE: All component dimensions given in U.S. inches
1 inch = 25.4 mm

REPAIR PARTS

12.5 HP 38" TRACTOR -- MODEL NUMBER 917.255420

MOWER LIFT



REPAIR PARTS

12.5 HP 38" TRACTOR - - MODEL NUMBER 917.255420

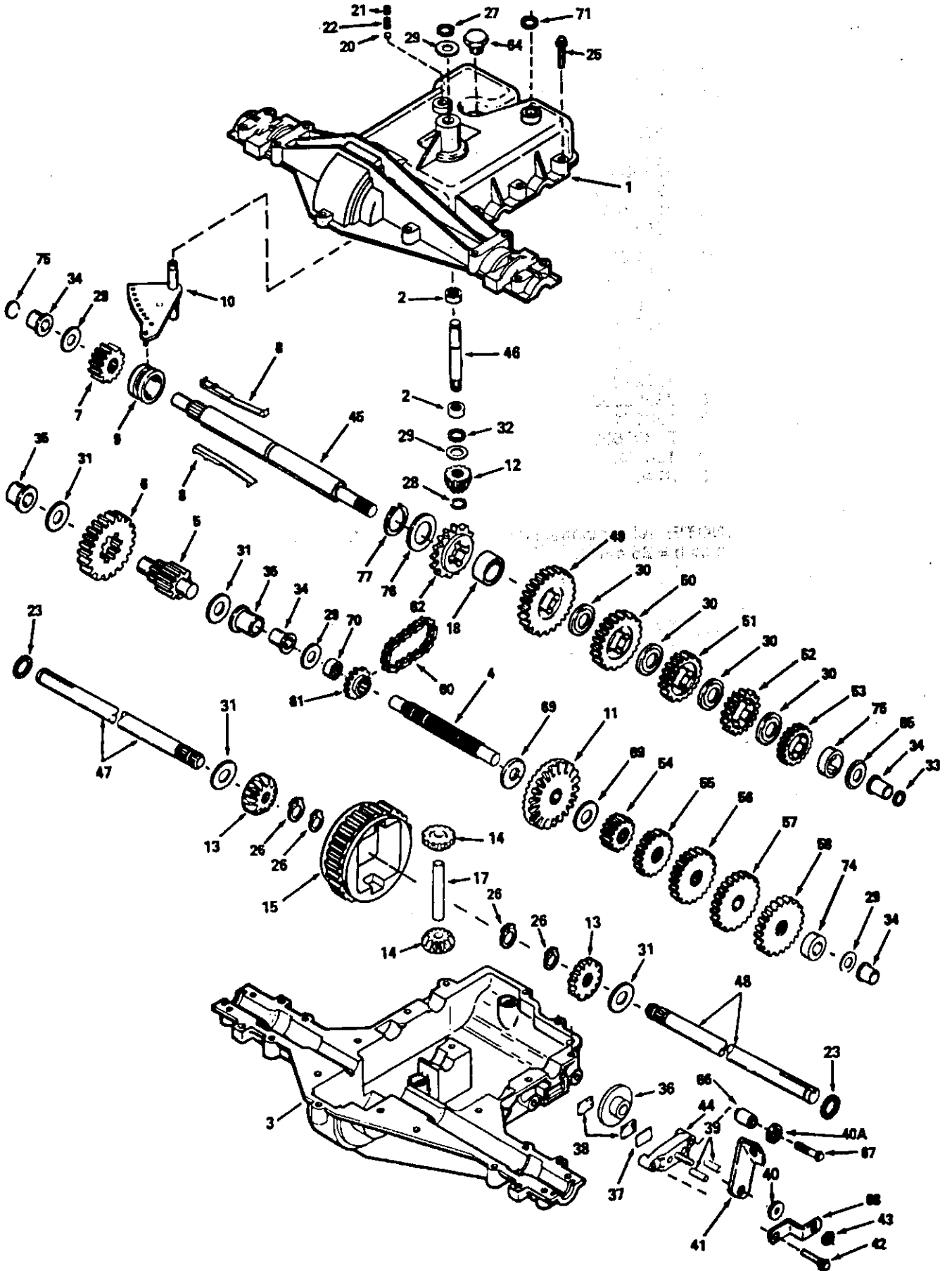
MOWER LIFT

KEY PART NO. NO.	DESCRIPTION
1 136973	Rod, Asm. Lever
2 122507X	Shaft Asm Lift
3 138284	Pin Groove
4 12000002	E Ring #5133-62
5 19211416	Washer 21/32 x 7/8 x 16 Ga.
6 120183X	Bearing Nylon
7 125631X	Grip Handle Fluted
8 122365X	Button Plunger Red
10 122512X	Spring Cprsn
11 134619	Link Lift Lh Fixed Length
12 135388	Link Lift Rh Fixed Length
13 4939M	Retainer Spring
14 135563	Pin Roll Sit 5/16 x 1.25
15 127218	Link Front
16 73350800	Nut Jam Hex 1/2 - 13 Unc
17 130171	Trunnion Blk Zinc
18 73800800	Nut Lock w/wsh 1/2 - 13 Unc
19 130832	Arm Suspension Rear
20 3146R	Spring Retainer

NOTE: All component dimensions given in U.S. inches
1 inch = 25.4 mm

REPAIR PARTS

12.5 HP 38" TRACTOR - - MODEL NUMBER 917.255420
PEERLESS TRANSAXLE - MODEL NUMBER 143.930-009



REPAIR PARTS

12.5 HP 38" TRACTOR - - MODEL NUMBER 917.255420

PEERLESS TRANSAXLE - MODEL NUMBER 143.930-009

REF PART NO. NO.	DESCRIPTION	REF PART NO. NO.	DESCRIPTION
1 772108	Cover, Transaxle	42 792073	Screw, Flanged Hex Head, Thread Forming 1/4-20 x 1-1/4
2 780086	Bearing, Needle	43 792075	Locknut 5/16-24
3 770102	Case, Transaxle	44 790025	Holder, Brake Pad
4 776260	Shaft, Counter	45 776315A	Shaft, Brake, 4-Keyed
5 776219	Shaft and Pinion Assembly, Output	46 776135	Shaft, Input
6 778139	Gear, Output	47 774690	Axle, 11-15/16
7 778136	Gear, Spur, 15 Teeth	48 774691	Axle, 16-1/2
8 792136	Key	49 778191	Gear, Spur, 37 Teeth
9 784352	Collar, Shifter	50 778124A	Gear, Spur, 30 Teeth
10 784355	Rod and Fork Assembly, Shift	51 778123A	Gear, Spur, 25 Teeth
11 778229	Gear, Bevel, 42 Teeth	52 778122A	Gear, Spur, 22 Teeth
12 778113A	Bevel Pinion, Input	53 778209	Gear, Spur, 19 Teeth
13 778221	Gear, Bevel	54 778230	Gear, Spur, 12 Teeth
14 778068	Gear, Bevel Pinion	55 778126A	Gear, Spur, 20 Teeth
15 778260	Gear, Ring	56 778127A	Gear, Spur, 25 Teeth
17 786139	Pin, Drive	57 778128A	Gear, Spur, 28 Teeth
18 786102	Spacer, Neutral	58 778163	Gear, Spur, 31 Teeth
20 792077	Ball, Steel, 5/16 diameter	60 786081	Chain, Roller (Number 41 Chain, 24 Links)
21 792078	Screw, Set 3/8-16 x 3/8	61 786082	Sprocket, 9 Teeth
22 792079	Spring	62 786123	Sprocket, 18 Teeth
23 788061	Ring, Felt	64 792074	Plug, Hex Head, Threaded 9/16-18
25 792073	Screw, Flanged Hex Head, Thread Forming 1/4-20 x 1-1/4	65 780139	Washer, Thrust
26 792125	Ring, Retainer (4 Required, Package Of 2)	66 786067	Spacer
27 792035	Ring, Retainer	67 792085	Screw, Flanged Hex Head, Thread Forming 1/4-20 x 2-1/4
28 788040	Ring, Retainer	68 786086	Bracket, Brake Lever
29 780072	Washer, Thrust	69 780051	Washer, Thrust
30 780108	Washer, Thrust	70 786118	Spacer
31 780001	Washer	71 788069	Seal, Square Cut
32 792001	"O" Ring	72 786116	Disk
33 788051	Seal, Square Cut	74 786071	Spacer
34 780105A	Bushing, Flanged	75 786072	Spacer
35 780118A	Bushing, Flanged	76 780090	Washer, Thrust
36 790003	Disk, Brake	77 788075	Ring, Retaining
37 790007	Plate, Brake Pad		
38 790006	Pad, Brake		
39 786026	Pin, Dowel		
40 792076	Washer, Flat		
40A 792128	Washer, Flat		
41 790047	Lever, Brake		

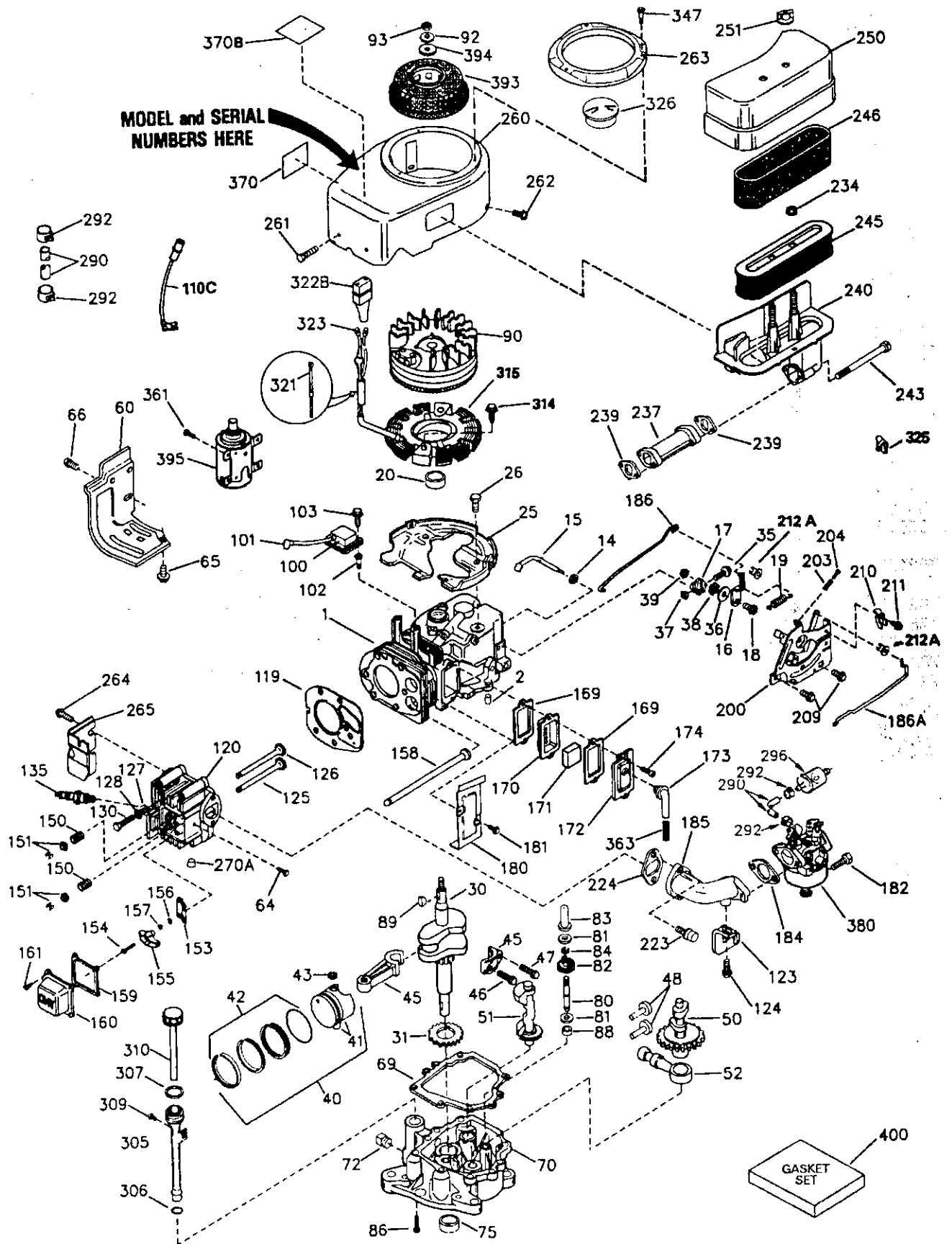
NOTE: All component dimensions given in U.S. inches
1 inch = 25.4 mm

Parts must be ordered from Tecumseh Products Co.

REPAIR PARTS

12.5 HP 38" TRACTOR - - MODEL NUMBER 917.255420

TECUMSEH ENGINE - MODEL NUMBER 143.436042



REPAIR PARTS

12.5 HP 38" TRACTOR - - MODEL NUMBER 917.255420

TECUMSEH ENGINE - MODEL NUMBER 143.436042

REF PART NO. NO.	DESCRIPTION	REF PART NO. NO.	DESCRIPTION
1 35943	Cylinder Assembly (Includes Reference Numbers 2 and 20)	50 35939	Camshaft Assembly, Mechanical Compression Release
2 27652	Pin, Dowel	51 35315A	Weight Assembly, Counterbalance
14 28277	Washer, Flat	52 31356	Pump Assembly, Oil
15 35324	Rod, Governor	60 35316A	Extension, Blower Housing
16 36284	Lever, Governor	64 30063	Screw, T-30 1/4-20 x 1/2
17 29916	Clamp, Governor Lever	65 650128	Screw #10-24 x 1/2
18 650548	Screw #8-32 x 5/16"	66 30063	Screw 1/4-20 x 1/2
19 35945	Spring, Extension	69 35317	* Gasket, Mounting Flange
20 35319	Seal, Oil	70 35970	Flange, Mounting (Includes Reference Numbers 72, 75 and 80)
25 35326	Baffle, Blower Housing	72 31927	Plug, Oil Drain
26 650561	Screw 1/4-20 x 5/8"	75 35319	Seal, Oil
30 35336B	Crankshaft Assembly, Counterbalance	80 35712	Shaft, Governor
31 35327	Gear, Counterbalance	81 35479	Washer, Flat
35 29826	Screw #10-32 x 3/4	82 35321	Gear Assembly, Governor
36 29918	Washer, Lock, External Tooth	83 35322	Spool, Governor
37 29216	Nut and Lock Washer, Keps #10-32	84 29193	Ring, Retaining
38 29642	Ring, Retaining	86 650833	Screw 1/4-20 x 1-3/16
39 30322	Locknut, Hex, Keps #8-32	88 31707A	Spacer, Governor Gear
40 35776	Piston, Pin and Ring Assembly, Standard Size (Includes Reference Numbers 41, 42 and 43)	89 32589	Key, Flywheel
35777	Piston, Pin and Ring Assembly, .010" Oversize (Includes Reference Numbers 41, 42 and 43)	90 611094	Flywheel, 7 amp, with Ring Gear
35778	Piston, Pin and Ring Assembly, .020" Oversize (Includes Reference Numbers 41, 42 and 43)	92 650880	Washer, Lock
41 35773	Piston and Pin Assembly, Std. Size (Includes Reference Number 43)	93 650881	Nut, Flywheel
35774	Piston and Pin Assembly, .010" Oversize (Includes Reference Number 43)	100 35135	Solid State Assembly (Includes Reference Number 101)
35775	Piston and Pin Assembly, .020" Oversize (Includes Reference Number 43)	101 610118	Cover, Spark Plug
42 35779	Ring Set, Piston, Standard Size	102 650872	Stud, Solid State Assembly
35780	Ring Set, Piston, .010" Oversize	103 650814	Screw, Torx T-15 #10-24 x 1"
35781	Ring Set, Piston, .020" Oversize	110 36225	Wire Assembly, Ground
43 35772	Ring, Piston Pin Retaining	119 35946	* Gasket, Cylinder Head
45 35330A	Rod Assembly, Connecting (Includes Reference #46 and 47)	120 35948	Head Assembly, Cylinder
46 650908	Bolt, Connecting Rod	123 35288	Brace, Intake Pipe
47 650882	Bolt, Connecting Rod	124 650738	Screw 1/4-20 x 5/8
48 35313	Lifter, Valve	125 35308	Valve, Exhaust, Standard Size
		35433	Valve, Exhaust, 1/32" Oversize
		126 35309	Valve, Intake, Standard Size
		35432	Valve, Intake, 1/32" Oversize
		127 650691	Washer, Flat
		128 650690	Washer, Belleville
		130 650946	Screw 5/16-18 x 2-45/64

*Indicates Parts Included in Gasket Set, Reference #400

NOTE: All component dimensions given in U.S. inches
1 inch = 25.4 mm

REPAIR PARTS

12.5 HP 38" TRACTOR - - MODEL NUMBER 917.255420

TECUMSEH ENGINE - MODEL NUMBER 143.436042

REF PART NO. NO.	DESCRIPTION	REF PART NO. NO.	DESCRIPTION
135 34645	Resistor Spark Plug (Champion RN-4C or equivalent)	250 35961	Cover, Air Cleaner
150 33507	Spring, Valve	251 650886	Nut, Wing 1/4-20
151 33508	Cap, Valve Spring Keeper	260 35964	Housing, Blower
153 35949	Guide, Push Rod	261 30063	Screw, Torx T-30 1/4-20 x 1/2
154 650945	Stud, Rocker Arm	262 650951	Screw 5/16-24 x 21/32
155 35950	Arm, Rocker	263 35963	Ring, Blower Housing
156 650890	Washer, Internal	264 650273	Screw 5/16-18 x 5/8
157 650947	Nut, Hex	265 35959	Cover, Cylinder Head
158 35951	Rod, Push	270A 35829A	Liner, Exhaust Port
159 35952	* Gasket, Rocker Arm Cover	290 30705	Line, Fuel
160 35953A	Cover, Rocker Arm Housing	292 26460	Clamp, Fuel Line
161 30063	Screw, Torx T-30 1/4-20 x 1/2	296 34279B	Filter, Fuel
169 27896A	* Gasket, Breather Cover	305 35972	Tube, Oil Fill
170 28423	Body, Breather	306 34265	* Gasket, Fill Tube
171 28424	Element, Breather	307 35499	"O" Ring
172 28425	Cover, Valve Spring Box	309 650951	Screw 5/16-24 x 25/32
173 35350	Tube, Breather	310 35973	Dipstick, Oil
174 650128	Screw #10-24 x 1/2	314 650873	Screw 1/4-20 x 3/4
180 35954	Extension, Blower Housing	315 611104	Coil Assembly, Alternator, 3 Amp D.C., 5 Amp A.C. (Includes Reference Numbers 321, 322B and 323A)
181 30200	Screw #10-24 x 9/16	321 611161	Diode Assembly
182 650517	Screw 1/4-20x27/32	322B 611142	Connector Body
184 33263	* Gasket, Carburetor to Intake Pipe	323 611118	Terminal Pin
185 35955	Pipe, Intake	325 34246	Clip, Wire
186 36285	Link, Governor	326 36210	Plug, Screen
186A 35957	Link, Choke	347 650949	Screw #10-32 x 9/16
200 35956	Bracket Assembly, Control (Includes Reference #203 and 204)	361 30063	Screw, Torx T-30 1/4-20 x 1/2
203 33802	Spring Compression	363 34148	Spring, Coil
204 650777	Screw #6-32 x 21/32	370 36261	Decal, Instruction
209 650902	Screw #10-32 x 7/16	370B 35274	Decal, Instruction
210 27793	Clip, Conduit	380 632650	Carburetor (Includes Reference Number 184)
211 28942	Screw #10-32x3/8	393 35962	Cup and Screen
212A 36288	Bushing, Link	394 650948	Washer, Flat
223 792028	Screw 5/16-18 x 7/8	395 35763A	Starter Motor, 12 Volt
224 35958	* Gasket, Intake Pipe	400 35947	Gasket Set (Includes All Items Marked *)
234 650825	Nut and Lock Washer, Sealing 1/4-20		
237 35286	Adapter, Air Cleaner		
239 33629	* Gasket, Air Cleaner Elbow		
240 35960	Body Assembly, Air Cleaner (Includes Reference Number 239)		
243 650875	Screw #10-32 x 5-1/4		
245 35403	Element, Air Cleaner (Includes Reference Number 251)		
246 35404	Filter, Poly Pre-Cleaner		

RPM Settings: High Speed: 3200-3400
Low Speed: 1950-2250

*Indicates Parts Included in Gasket Set, Reference #400

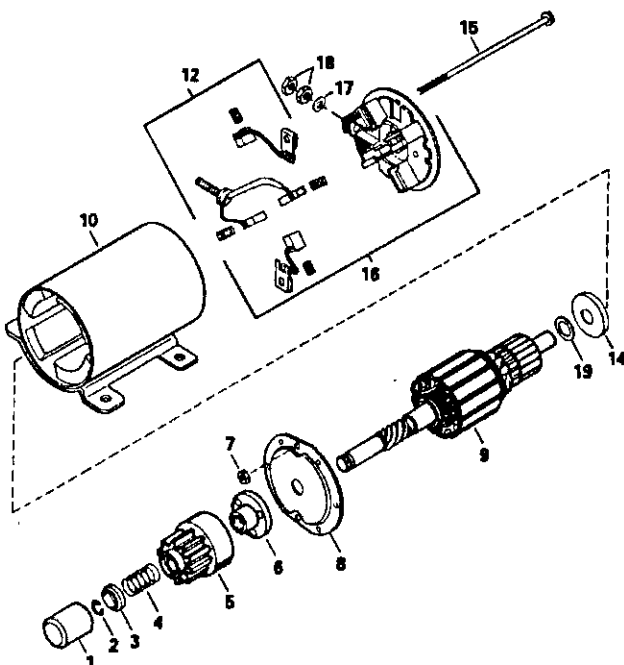
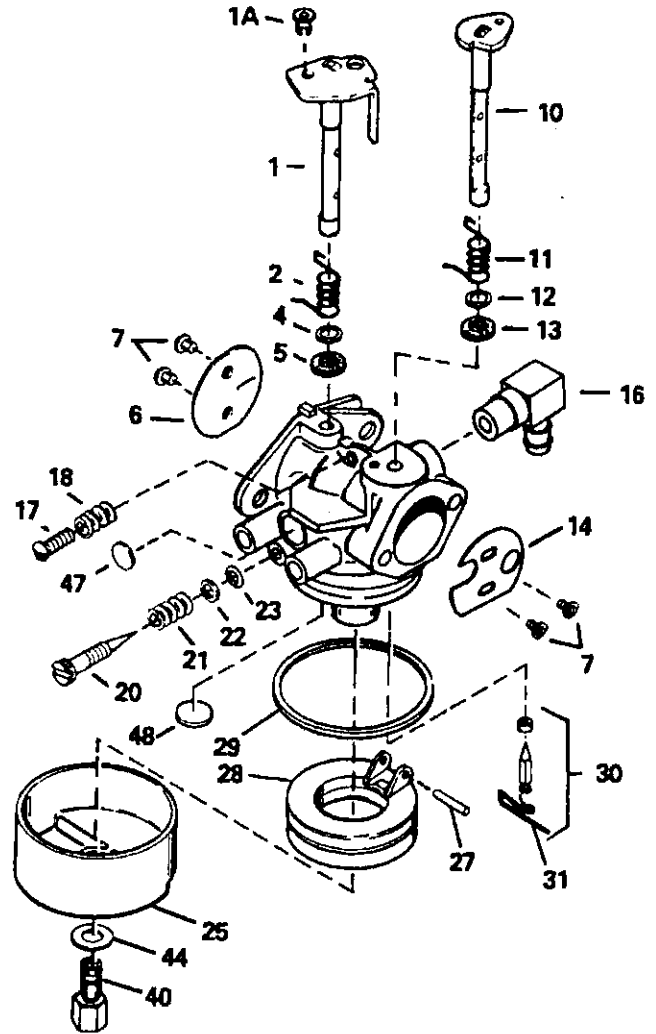
NOTE: All component dimensions given in U.S. inches
1 inch = 25.4 mm

REPAIR PARTS

12.5 HP 38" TRACTOR - - MODEL NUMBER 917.255420

TECUMSEH ENGINE - MODEL NUMBER 143.436042

REF PART NO. NO.	DESCRIPTION
-- 632650	Carburetor, Complete
1 632649	Throttle Shaft and Lever Assembly
1A 36288	Throttle Link Bushing
2 632244	Throttle Return Spring
4 631184	Dust Seal Washer, Throttle
5 631183	Dust Seal, Throttle
6 632517	Throttle Shutter
7 650506	Throttle and Choke Shutter Screw
10 632472	Choke Shaft and Lever Assembly
11 632473	Choke Return Spring
12 631184	Dust Seal Washer, Choke
13 631183	Dust Seal, Choke
14 632514	Choke Shutter
16 632527	Fuel Fitting
17 650417	Idle Speed Screw
18 630766	Tension Spring
20 632281	Idle Mixture Screw
21 630766	Idle Tension Spring
22 630739	Washer, Idle Screw
23 630740	"O" Ring, Idle Screw
25 631867	Float Bowl
27 631024	Shaft, Float
28 632019	Float
29 631028	"O" Ring, Float Bowl to Body
30 631021	Inlet Needle, Seat and Clip (Includes Reference Number 31)
31 631022	Spring Clip
40 632630	High Speed Bowl Nut
44 27110	Bowl Nut Washer
47 630748	Welch Plug, Idle Mixture Well
48 631027	Welch Plug, Atmospheric Vent



REF PART NO. NO.	DESCRIPTION
-- 35763A	Starting Motor, Complete
1 33451	Cover, Dust
2 33842	Ring, Retainer
3 33430	Retainer, Spring
4 33854	Spring, Anti-Drift
5 33432	Gear
6 35893	Nut and Retainer (Includes Ref. #2)
7 33450	Locknut
8 35894	Cap Assembly, Drive End
9 35895	Armature
10 35900	Housing Assembly
12 35896	Brush and Spring Kit
14 35897	Washer, Thrust
15 35898	Bolt #10-32 x 4-11/64
16 35899	Cap and Brush Card Assembly, Commutator End (Includes Reference #12, 14, 17 and 18)
17 650168	Washer, Flat
18 650864	Nut, Hex
19 590500	Washer, Thrust

NOTE: All component dimensions given in U.S. inches
1 inch = 25.4 mm

SERVICE NOTES

(Faint, mostly illegible text, likely bleed-through from the reverse side of the page)