

SEARS

CRAFTSMAN[®]

MODEL NUMBER 917.255460 OWNER'S MANUAL

3one[™]
Convertible



- Assembly
- Operation
- Customer Responsibilities
- Service
- Adjustments
- Repair Parts

Caution:
Read and Follow
all Safety Rules
and Instructions
Before Operating
This Equipment

Sears, Roebuck and Co., Hoffman Estates, IL 60179 U.S.A.



SAFETY RULES

Safe Operation Practices for Ride-On Mowers



IMPORTANT: THIS CUTTING MACHINE IS CAPABLE OF AMPUTATING HANDS AND FEET AND THROWING OBJECTS. FAILURE TO OBSERVE THE FOLLOWING SAFETY INSTRUCTIONS COULD RESULT IN SERIOUS INJURY OR DEATH.

I. GENERAL OPERATION

- Read, understand, and follow all instructions in the manual and on the machine before starting.
- Only allow responsible adults, who are familiar with the instructions, to operate the machine.
- Clear the area of objects such as rocks, toys, wire, etc., which could be picked up and thrown by the blade.
- Be sure the area is clear of other people before mowing. Stop machine if anyone enters the area.
- Never carry passengers.
- Do not mow in reverse unless absolutely necessary. Always look down and behind before and while backing.
- Be aware of the mower discharge direction and do not point it at anyone. Do not operate the mower without either the entire grass catcher or the guard in place.
- Slow down before turning.
- Never leave a running machine unattended. Always turn off blades, set parking brake, stop engine, and remove keys before dismounting.
- Turn off blades when not mowing.
- Stop engine before removing grass catcher or unclogging chute.
- Mow only in daylight or good artificial light.
- Do not operate the machine while under the influence of alcohol or drugs.
- Watch for traffic when operating near or crossing roadways.
- Use extra care when loading or unloading the machine into a trailer or truck.

II. SLOPE OPERATION

Slopes are a major factor related to loss-of-control and tipover accidents, which can result in severe injury or death. All slopes require extra caution. If you cannot back up the slope or if you feel uneasy on it, do not mow it.

DO:

- Mow up and down slopes, not across.
- Remove obstacles such as rocks, tree limbs, etc.
- Watch for holes, ruts, or bumps. Uneven terrain could overturn the machine. *Tall grass can hide obstacles.*
- Use slow speed. Choose a low gear so that you will not have to stop or shift while on the slope.
- Follow the manufacturer's recommendations for wheel weights or counterweights to improve stability.
- Use extra care with grass catchers or other attachments. These can change the stability of the machine.
- Keep all movement on the slopes *slow* and *gradual*. Do not make sudden changes in speed or direction.
- Avoid starting or stopping on a slope. If tires lose traction, disengage the blades and proceed slowly *straight* down the slope.

DO NOT:

- *Do not* turn on slopes unless necessary, and then, turn slowly and gradually downhill, if possible.
- *Do not* mow near drop-offs, ditches, or embankments. The mower could suddenly turn over if a wheel is over the edge of a cliff or ditch, or if an edge caves in.
- *Do not* mow on wet grass. Reduced traction could cause sliding.
- *Do not* try to stabilize the machine by putting your foot on the ground.
- *Do not* use grass catcher on steep slopes.

III. CHILDREN

Tragic accidents can occur if the operator is not alert to the presence of children. Children are often attracted to the machine and the mowing activity. *Never* assume that children will remain where you last saw them.

- Keep children out of the mowing area and under the watchful care of another responsible adult.
- Be alert and turn machine off if children enter the area.
- Before and when backing, look behind and *down* for small children.
- Never carry children. They may fall off and be seriously injured or interfere with safe machine operation.
- Never allow children to operate the machine.
- Use extra care when approaching blind corners, shrubs, trees, or other objects that may obscure vision.

IV. SERVICE

- Use extra care in handling gasoline and other fuels. They are flammable and vapors are explosive.
 - Use only an approved container.
 - Never remove gas cap or add fuel with the engine running. Allow engine to cool before refueling. Do not smoke.
 - Never refuel the machine indoors.
 - Never store the machine or fuel container inside where there is an open flame, such as a water heater.
- Never run a machine inside a closed area.
- Keep nuts and bolts, especially blade attachment bolts, tight and keep equipment in good condition.
- Never tamper with safety devices. Check their proper operation regularly.
- Keep machine free of grass, leaves, or other debris build-up. Clean oil or fuel spillage. Allow machine to cool before storing.
- Stop and inspect the equipment if you strike an object. Repair, if necessary, before restarting.
- Never make adjustments or repairs with the engine running.
- Grass catcher components are subject to wear, damage, and deterioration, which could expose moving parts or allow objects to be thrown. Frequently check components and replace with manufacturer's recommended parts, when necessary.
- Mower blades are sharp and can cut. Wrap the blade(s) or wear gloves, and use extra caution when servicing them.
- Check brake operation frequently. Adjust and service as required.



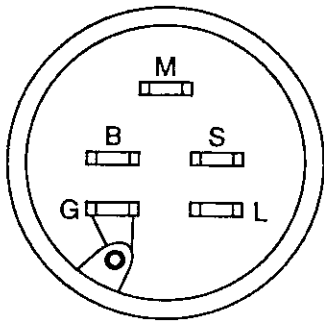
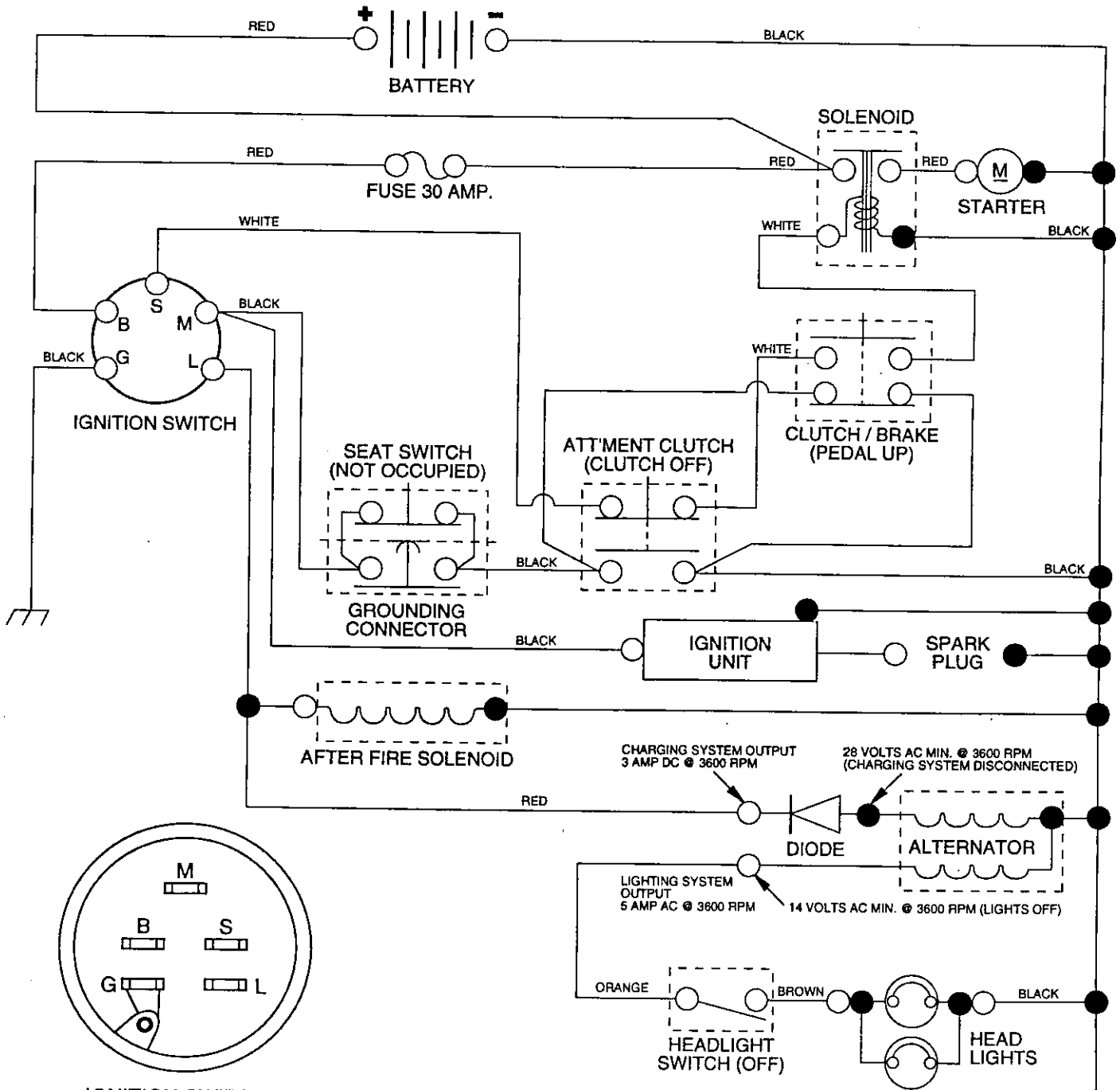
Look for this symbol to point out important safety precautions. It means CAUTION!!! BECOME ALERT!!! YOUR SAFETY IS INVOLVED.



CAUTION: Always disconnect spark plug wire and place wire where it cannot contact spark plug in order to prevent accidental starting when setting up, transporting, adjusting or making repairs.

14 HP 42" TRACTOR -- MODEL NUMBER 917.255460

SCHEMATIC



IGNITION SWITCH

| POSITION | CIRCUIT |
|----------|---------|
| OFF | M + G |
| ON | B + L |
| START | B + S |

WIRING INSULATED CLIPS

NOTE: IF WIRING INSULATED CLIPS WERE REMOVED FOR SERVICING OF UNIT, THEY SHOULD BE REPLACED TO PROPERLY SECURE YOUR WIRING

NOTE

YOUR TRACTOR IS EQUIPPED WITH A SPECIAL ALTERNATOR SYSTEM. THE LIGHTS ARE NOT CONNECTED TO THE BATTERY, BUT HAVE THEIR OWN ELECTRICAL SOURCE. BECAUSE OF THIS, THE BRIGHTNESS OF THE LIGHTS WILL CHANGE WITH ENGINE SPEED. AT IDLE THE LIGHTS WILL DIM. AS THE ENGINE IS SPEEDED UP, THE LIGHTS WILL BECOME THEIR BRIGHTEST.

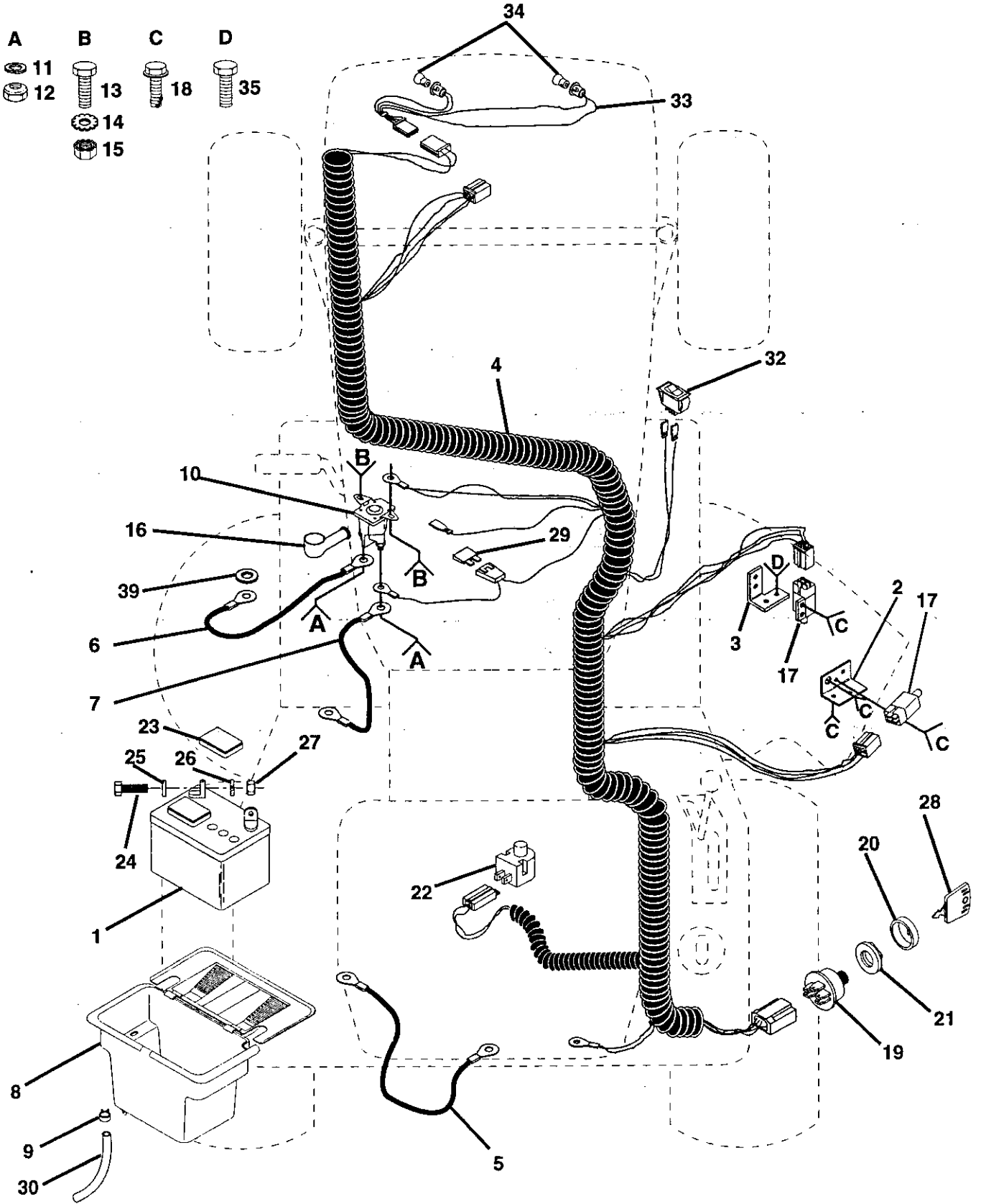
● NON-REMOVABLE CONNECTIONS

○ REMOVABLE CONNECTIONS

REPAIR PARTS

14 HP 42" TRACTOR - - MODEL NUMBER 917.255460

ELECTRICAL



REPAIR PARTS

14 HP 42" TRACTOR - - MODEL NUMBER 917.255460

ELECTRICAL

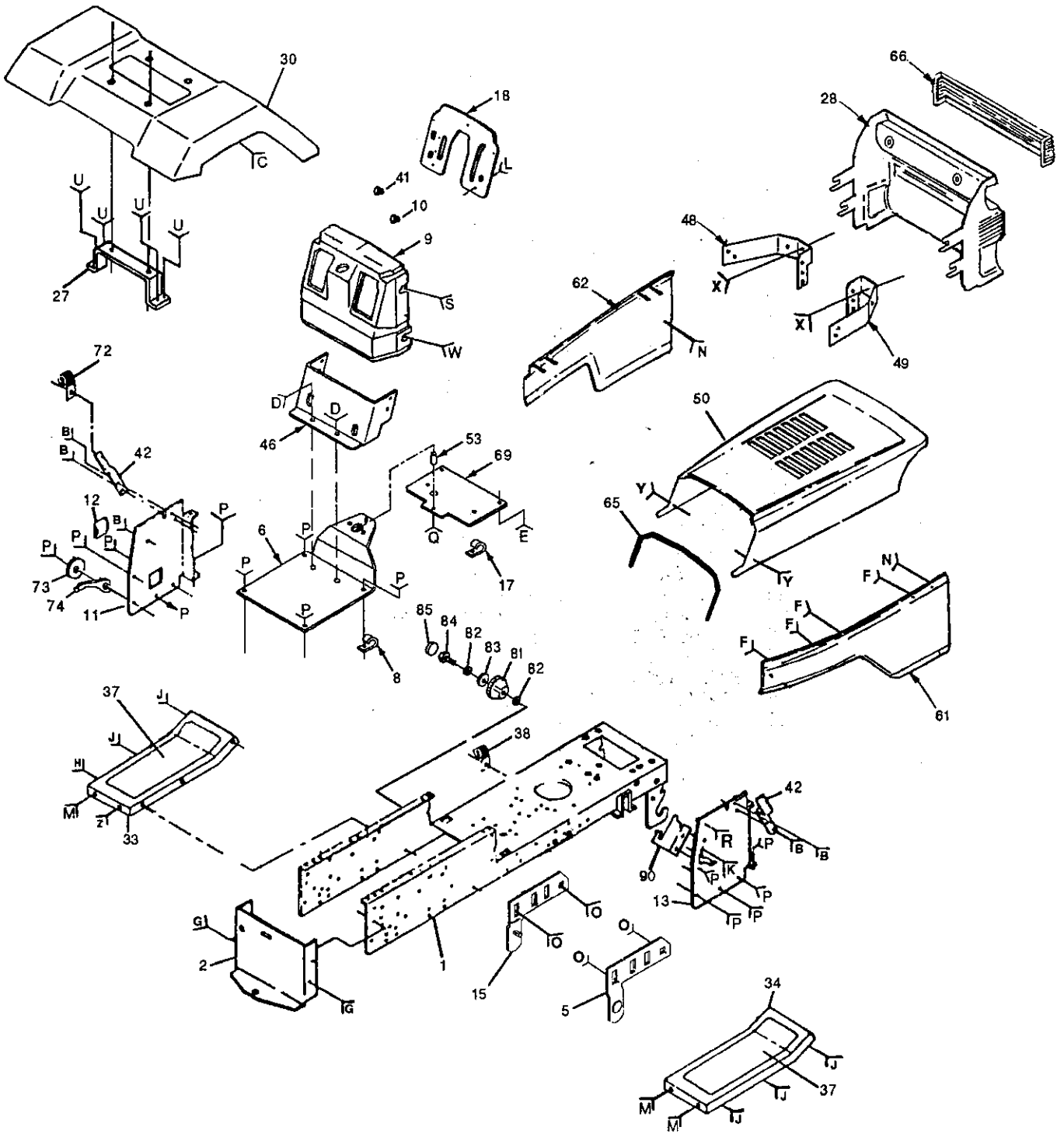
| KEY PART NO. | NO. | DESCRIPTION |
|-----------------|-----------|--|
| 1 | 121537X | Battery |
| 2 | 130890 | Bracket, Interlock Switch |
| 3 | 108236X | Bracket, Clutch Switch |
| 4 | 138693 | Harness, Ignition |
| 5 | 4207J | Cable, Ground |
| 6 | 4206J | Cable, Battery |
| 7 | 132202 | Cable, Battery |
| 8 | 129965 | Battery Box |
| 9 | 109596X | Clamp, Hose |
| 10 | 138406 | Solenoid |
| 11 | STD551125 | Washer, Lock |
| 12 | 73350400 | Nut, Hex Head, Jam 1/4-20 UNC |
| 13 | 74780408 | Bolt, Hex Head, Fin. 1/4-20 UNC x 1/2 Grade 5 |
| 14 | STD551225 | Washer |
| 15 | STD541425 | Nut |
| 16 | 131563 | Cover, Terminal |
| 17 | 109553X | Switch, Interlock, Clutch |
| 18 | STD601005 | Screw |
| 19 | 102972X | Switch, Starter |
| 20 | 123620X | Cover, Key Switch |
| 21 | 124211X | Nut, Ignition |
| 22 | 121305X | Switch, Plunger |
| 23 | 121264X | Cap, Battery |
| 24 | 74760412 | Bolt, Hex Head 1/4-20 UNC x 3/4 |
| 25 | STD551025 | Washer |
| 26 | STD551125 | Washer |
| 27 | STD541025 | Nut |
| 28 | 109310X | Key, Ignition |
| 29 | 108824X | Fuse |
| 30 | 109238X | Tube, Plastic |
| 32 | 110712X | Switch, Light |
| 33 | 136850 | Harness, Light Socket |
| 34 | 7662J | Light Bulb |
| 35 | STD601005 | Screw |
| 39 | 11150400 | Washer, Lock Int. Tooth 1/4 |

NOTE: All component dimensions given in U.S. inches
1 inch = 25.4 mm

REPAIR PARTS

14 HP 42" TRACTOR -- MODEL NUMBER 917.255460

CHASSIS AND ENCLOSURES



- | B | C | D | E | F | G | H | J | K | L | M | N | O | P | Q | R | S | T | U | W | X | Y | Z |
|----|----|----|----|----|---|----|----|----|----|----|----|----|---|----|----|----|----|----|----|----|----|----|
| 44 | 47 | 22 | 63 | 75 | 3 | 56 | 35 | 43 | 19 | 24 | 76 | 4 | 7 | 32 | 16 | 91 | 85 | 80 | 60 | 77 | 67 | 92 |
| 45 | | 23 | 31 | | | 31 | 36 | 39 | 40 | 20 | 54 | 88 | | 29 | 55 | 51 | | | 51 | 64 | 70 | 25 |
| | | | | | | | | 21 | 26 | 25 | | | | 31 | 52 | 52 | | | 52 | 68 | 59 | 26 |

REPAIR PARTS

14 HP 42" TRACTOR - - MODEL NUMBER 917.255460

CHASSIS AND ENCLOSURES

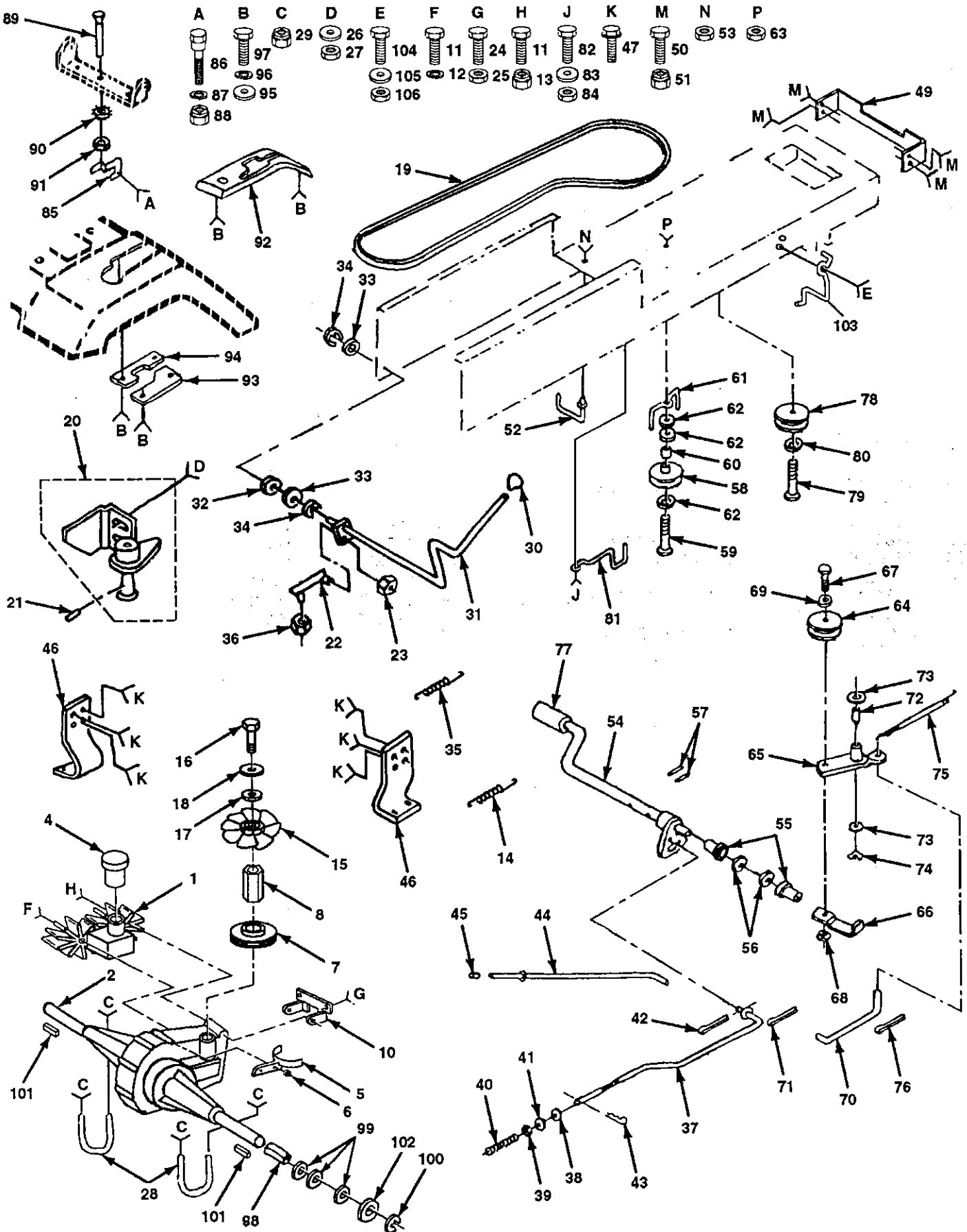
| KEY NO. | PART NO. | DESCRIPTION | KEY NO. | PART NO. | DESCRIPTION |
|---------|------------|--|---------|------------|--|
| 1 | 135033 | Chassis | 44 | STD523710 | Bolt |
| 2 | 137275 | Drawbar | 45 | STD541437 | Nut |
| 3 | 17490612 | Screw, Thd., Roll. 3/8-16 x 3/4 Type TT | 46 | 105518X | Dash Lower |
| 4 | 72140606 | Bolt, Carriage 3/8-16 x 3/4 | 47 | 17490608 | Screw, Thd., Roll. 3/8-16 x 1/2 Type TT |
| 5 | 134775 | Bracket Assembly, Pivot, RH | 48 | 136814 | Bracket Assembly, Front Pivot Hinge, LH |
| 6 | 127543X015 | Saddle, Silkscreened | 49 | 136813 | Bracket Assembly, Front Pivot Hinge, RH |
| 7 | 17490608 | Screw, Thd., Roll. 3/8-16 x 1/2 Type TT | 50 | 136673X459 | Hood Assembly |
| 8 | 126471X | Clip, Insulated | 51 | STD551137 | Washer Lock 3/8 |
| 9 | 136696 | Dash, Plastic | 52 | 19131614 | Washer 13/32 x 1 x 14 Gauge |
| 10 | 5479J | Plug, Button | 53 | 121236X | Spacer |
| 11 | 136967 | Panel, Dash, LH | 54 | 108067X | Nut, Pal |
| 12 | 121794X | Cover, Access | 55 | 19131210 | Washer 13/32 x 3/4 x 10 Ga. |
| 13 | 136970 | Panel, Dash, RH | 56 | STD533710 | Bolt, Carriage 3/8-16 x 1 |
| 15 | 134774 | Bracket Assembly, Pivot, LH | 59 | STD541037 | Nut |
| 16 | STD523707 | Bolt | 60 | STD523727 | Bolt |
| 17 | 2751R | Clip, Fuel Line | 61 | 136670X459 | Panel Assembly, RH |
| 18 | 129621X018 | Plate, Dash | 62 | 136671X459 | Panel Assembly, LH |
| 19 | 74180412 | Screw, Machine 1/4-20 x 3/4 | 63 | STD523707 | Bolt Hex 3/8-16 x 3/4 |
| 20 | STD551025 | Washer 17/64 | 64 | 10040400 | Washer, Lock |
| 21 | STD541425 | Nut | 65 | 137304 | Rod, Support Hood |
| 22 | 74180512 | Screw Mach. 5/16-18 x 3/4 | 66 | 136374 | Lens, Bar, Clear |
| 23 | 73510500 | Nut Keps 5/16-18 | 67 | 137270 | Rivet, Ratchet, Male |
| 24 | STD523707 | Bolt | 68 | 137271 | Rivet, Ratchet, Female |
| 25 | 19131312 | Washer 13/32 x 13/16 x 12 Gauge | 69 | 128231 | Plate Support Battery |
| 26 | STD541437 | Nut | 70 | 137269 | Washer, Nylon |
| 27 | 136619 | Bracket Assembly, Fender | 72 | 5320R | Clip, Insulated |
| 28 | 136373X428 | Grill | 73 | 120529X | Washer, Nylon .44 x .75 x .032 |
| 29 | STD541431 | Nut Crownlock 3/8-16 | 74 | 123933X505 | Pointer, Height Indicator |
| 30 | 126599X459 | Fender | 75 | 108067X | Nut, Pal |
| 31 | STD541437 | Nut, Crownlock 3/8-16 | 76 | 19092016 | Washer 9/32 x 1-1/4 x 16 Ga. |
| 32 | STD523120 | Bolt Hex 5/16-18 x 2 | 77 | 74760408 | Bolt Hex 1/4 - 20 x 1/2 |
| 33 | 105465X459 | Footrest, LH | 80 | 17490612 | Screw, Thd. Roll. 3/8-16 x 3/4 Type TT |
| 34 | 105464X459 | Footrest, RH | 81 | 123934X | Scale, Height Indicator |
| 35 | STD533707 | Bolt | 82 | 19112410 | Washer 11/32 x 1-1/2 x 10 Gauge |
| 36 | STD541437 | Nut | 83 | STD551131 | Washer, Lock |
| 37 | 105466X | Pad, Footrest | 84 | 74780516 | Bolt, Hex, Fin. 5/16-18 UNC x 1 |
| 38 | 2751R | Clip, Fuel Line | 85 | 123935X | Plug, Hole |
| 39 | STD551237 | Washer | 88 | 73800600 | Locknut 3/8 - 16 UNC |
| 40 | STD541437 | Nut | 90 | 110923X | Bracket, Mower Clutch |
| 41 | 134014 | Plug Dome | 91 | STD533710 | Bolt |
| 42 | 138193 | Bracket, Support, Dash | 92 | STD523708 | Bolt, Hex 3/8 - 16 x 7/8 |
| 43 | STD523707 | Bolt | | | |

NOTE: All component dimensions given in U.S. inches
1 inch = 25.4 mm

REPAIR PARTS

14 HP 42" TRACTOR -- MODEL NUMBER 917.255460

DRIVE



REPAIR PARTS

14 HP 42" TRACTOR - - MODEL NUMBER 917.255460

DRIVE

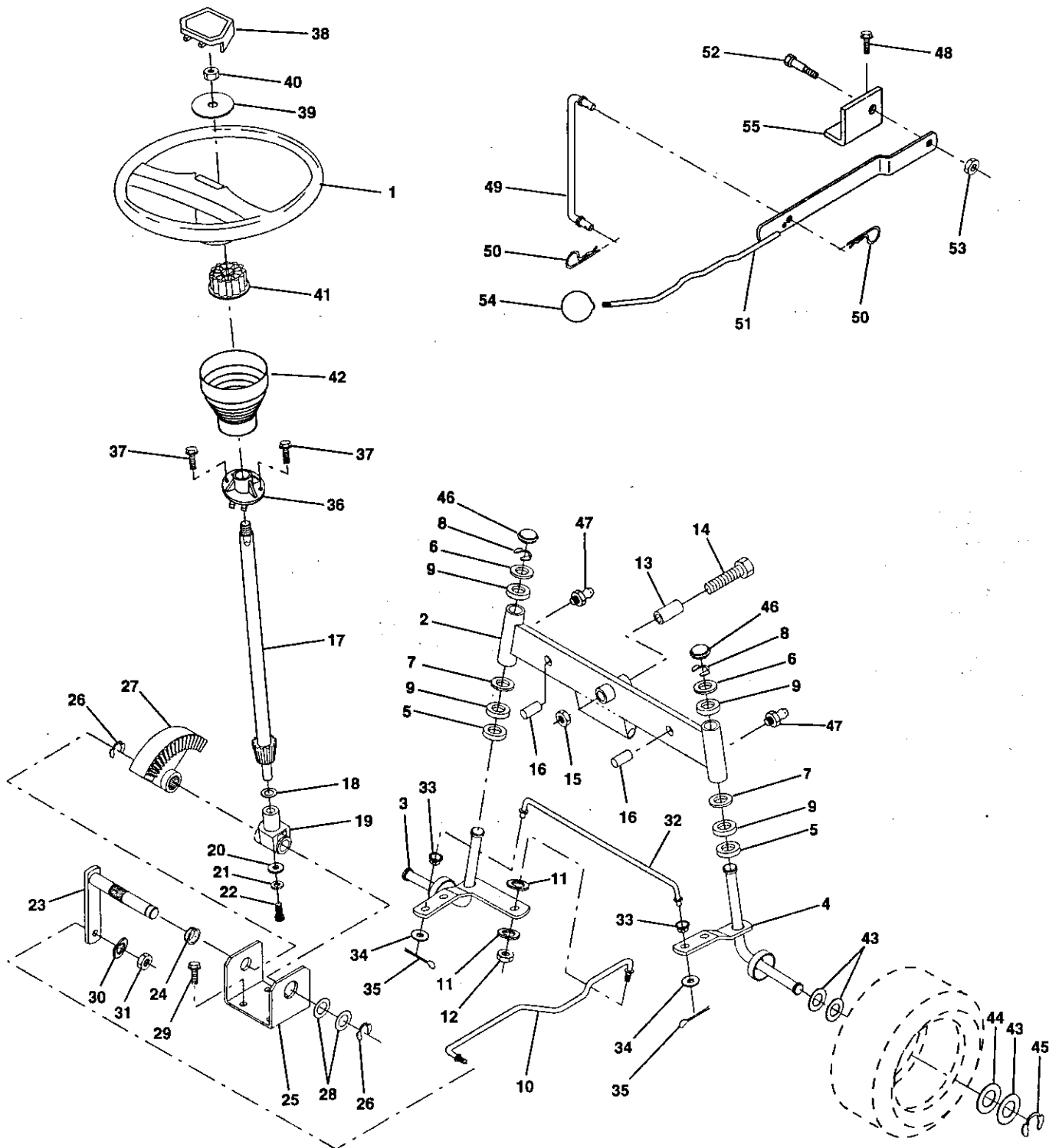
| KEY PART NO. | NO. | DESCRIPTION | KEY PART NO. | NO. | DESCRIPTION |
|--------------|-----------|---------------------------------------|--------------|------------|---------------------------------|
| 1 | 121430X | Pump, Transaxle | 56 | STD551062 | Washer |
| 2 | 138558 | Transaxle Assembly | 57 | STD571810 | Pin, Roll |
| 4 | 121323X | Reservoir, Transaxle Pump | 58 | 123674X | Pulley, Idler, Flat |
| 5 | 126581X | Belt Keeper, Transaxle | 59 | STD523727 | Bolt |
| 6 | 73680400 | Nut, Crownlock 1/4-20 UNC | 60 | 4470J | Spacer, Split |
| 7 | 126579X | Pulley, Transaxle | 61 | 109070X | Keeper, Belt Retainer |
| 8 | 121211X | Spacer, Stand-off, Transaxle Fan | 62 | 19131312 | Washer 13/32 x 13/16 x 12 Gauge |
| 10 | 121188X | Bracket, Differential Mounting | 63 | STD541437 | Nut |
| 11 | 74780572 | Bolt | 64 | 127783 | Pulley, Idler, V-Groove |
| 12 | STD551131 | Washer, Lock | 65 | 123789X | Bellcrank Assembly |
| 13 | STD541431 | Nut | 66 | 123205X | Retainer, Belt |
| 14 | 110422X | Spring, Return, Brake | 67 | STD523715 | Bolt |
| 15 | 126578X | Fan, Transaxle | 68 | STD541437 | Nut |
| 16 | STD522507 | Screw | 69 | STD551037 | Washer |
| 17 | 19092016 | Washer 9/32 x 1-1/4 x 16 Gauge | 70 | 105710X | Link, Clutch |
| 18 | STD551125 | Washer | 71 | STD561210 | Pin |
| 19 | 137589 | V-Belt, Ground Drive | 72 | 105706X | Bearing, Nylon |
| 20 | 126912X | Friction Pack Assembly | 73 | 110812X | Washer, Hardened |
| 21 | 126655X | Pin, Roll | 74 | 12000039 | Ring, Klip |
| 22 | 137328 | Rod, Tie Hydro Stretch | 75 | 105709X | Spring, Return, Clutch |
| 23 | 73040400 | Nut, Hex, Flange 1/4-28 UNF | 76 | STD561210 | Pin |
| 24 | STD523707 | Bolt | 77 | 8883R | Cover, Pedal |
| 25 | STD541437 | Nut | 78 | 134825 | Pulley, Engine |
| 26 | STD551025 | Washer | 79 | M747810100 | Bolt, Hex |
| 27 | STD541437 | Nut | 80 | STD551143 | Washer |
| 28 | 121189X | U-Bolt 3/8-16 x 2.83 | 81 | 129921 | Keeper, Belt, Engine, LH |
| 29 | STD541437 | Nut | 82 | STD523710 | Bolt |
| 30 | 130564 | Knob, Premium | 83 | 19131312 | Washer 13/32 x 13/16 x 12 Gauge |
| 31 | 126592X | Control Lever Assembly | 84 | STD541437 | Nut |
| 32 | 126590X | Bushing, Transaxle | 85 | 126575X | Arm, Control |
| 33 | 126591X | Washer, Shim .53 x 1.25 x .0598 | 86 | 7605J | Bolt, Shoulder 1/4 x 20 UNC |
| 34 | STD581050 | E-Ring | 87 | 110739X | Washer, Spring, Oiled |
| 35 | 126910X | Spring, Extension | 88 | 73680400 | Nut, Crownlock 1/4-20 UNC |
| 36 | 73040400 | Nut, Hex, Flange 1/4-28 UNF | 89 | 126654X | Control, Bypass |
| 37 | 137630 | Rod, Brake | 90 | STD551237 | Washer |
| 38 | STD541437 | Locknut | 91 | 73610600 | Nut, Hex, Fin. 3/8-24 UNF |
| 39 | STD541237 | Nut | 92 | 126600X | Console, Shift |
| 40 | 106888X | Spring, Brake Rod | 93 | 126597X | Plate, Neutral Adjust, RH |
| 41 | STD551037 | Washer | 94 | 126598X | Plate, Neutral Adjust, LH |
| 42 | 4921H | Retainer Spring | 95 | STD551025 | Washer 17/64 |
| 43 | STD624003 | Retainer | 96 | STD551125 | Washer |
| 44 | 133261 | Rod, Parking Brake | 97 | STD512505 | Screw |
| 45 | 124236X | Cap, Parking Brake | 98 | 121199X | Spacer, Split |
| 46 | 136922 | Bracket, Transaxle | 99 | 121749X | Washer 25/32 x 1-1/4 x 16 Gauge |
| 47 | 17490616 | Screw, Thd., Roll. 3/8-16 x 1 Type TT | 100 | STD581075 | E-Ring |
| 49 | 138307 | Bracket, Mounting | 101 | 123583X | Key, Square |
| 50 | STD533707 | Bolt | 102 | 121748X | Washer 25/32 x 1-5/8 x 16 Gauge |
| 51 | STD541437 | Nut | 103 | 134683 | Belt Guide, Mower, RH |
| 52 | 126577X | Keeper, Center Span | 104 | STD523710 | Bolt |
| 53 | STD541437 | Nut | 105 | 19132012 | Washer 13/32 x 1-1/4 x 12 Gauge |
| 54 | 122424X | Shaft, Foot Pedal | 106 | STD541437 | Nut |
| 55 | 120183X | Bearing, Nylon | | | |

NOTE: All component dimensions given in U.S. inches
1 inch = 25.4 mm

REPAIR PARTS

14 HP 42" TRACTOR - - MODEL NUMBER 917.255460

STEERING ASSEMBLY



REPAIR PARTS

14 HP 42" TRACTOR - - MODEL NUMBER 917.255460

STEERING ASSEMBLY

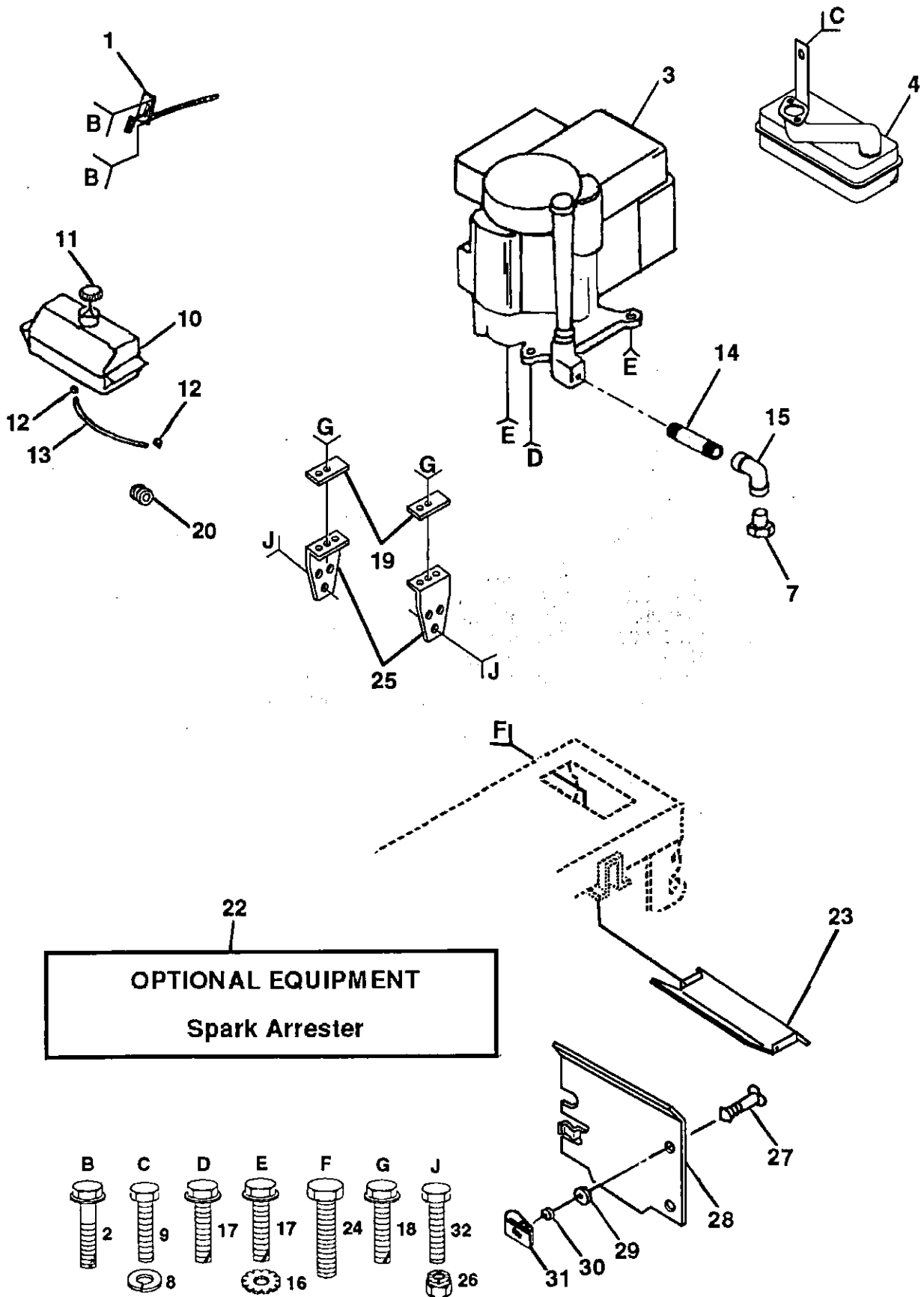
| KEY PART NO. NO. | DESCRIPTION |
|---------------------|--|
| 1 121472X | Steering Wheel |
| 2 133988 | Axle Assembly, Front |
| 3 135227 | Spindle Assembly, LH |
| 4 135228 | Spindle Assembly, RH |
| 5 6266H | Bearing, Race, Thrust, Hardened |
| 6 121748X | Washer 25/32 x 1-5/8 x 16 Gauge |
| 7 19272016 | Washer 27/32 x 1-1/4 x 16 Gauge |
| 8 12000029 | Ring, Klip |
| 9 3366R | Bearing |
| 10 130468 | Link, Drag |
| 11 STD551137 | Washer, Lock |
| 12 73610600 | Nut, Hex, Fin. 3/8-24 UNF |
| 13 110438X | Spacer, Bearing, Front Axle |
| 14 74011056 | Bolt, Hex 5/8-11 UNC x 3-1/2 |
| 15 73901000 | Locknut, Hex, Jam, with Washer Inset 5/8-11 UNC |
| 16 132624 | Pin, Axle, Large 5/8 x 1.55/1.54 |
| 17 132614 | Shaft Assembly, Steering |
| 18 57079 | Washer, Thrust .515 x .750 x .033 |
| 19 124035X | Support, Shaft |
| 20 126684X | Washer, Shim 1/4 x 5/8 x .062 |
| 21 STD551125 | Washer |
| 22 71070410 | Screw, Hex Socket Head 1/4-20 x 5/8 |
| 23 127501 | Shaft Assembly, Pittman |
| 24 109816X | Nyliner, Snap-In |
| 25 124036X | Bracket, Steering |
| 26 12000029 | Ring, Klip |
| 27 136874 | Gear, Sector |
| 28 6266H | Bearing, Race, Thrust, Hardened |
| 29 17490612 | Screw, Thd. Roll. 3/8-16 x 3/4 Type TT |
| 30 STD551137 | Washer, Lock |
| 31 73610600 | Nut, Hex, Fin. 3/8-24 UNF |
| 32 130465 | Rod, Tie |
| 33 126847X | Bushing, Drag Link |
| 34 19131416 | Washer 13/32 x 7/8 x 16 Gauge |
| 35 STD561210 | Pin |
| 36 132196 | Bushing, Steering |
| 37 STD611005 | Screw #10-16 x 1/2 |
| 38 126805X | Insert, Steering Wheel |
| 39 19133808 | Washer 13/32 x 2-3/8 x 8 Gauge |
| 40 STD541537 | Nut |
| 41 104820X | Adaptor, Steering Wheel |
| 42 124417X | Boot, Steering |
| 43 121749X | Washer 25/32 x 1-1/4 x 16 Gauge |
| 44 121748X | Washer 25/32 x 1-5/8 x 16 Gauge |
| 45 12000029 | Ring, Klip |
| 46 121232X | Cap, Spindle |
| 47 6855M | Fitting, Grease |
| 48 17490512 | Screw, Thd. Roll 5/16-18 x 3/4 |
| 49 131291 | Link, Clutch, with Nibs |
| 50 STD561210 | Pin |
| 51 125916X | Lever Assembly, Mower Clutch |
| 52 106451X | Bolt, Shoulder 3/8-16 UNC Grade 2 |
| 53 STD541437 | Nut |
| 54 106932X | Knob, Round |
| 55 138171 | Bracket, Pivot, Manual Clutch Lever |

NOTE: All component dimensions given in U.S. inches
1 inch = 25.4 mm

REPAIR PARTS

14 HP 42" TRACTOR -- MODEL NUMBER 917.255460

ENGINE



REPAIR PARTS

14 HP 42" TRACTOR - - MODEL NUMBER 917.255460

ENGINE

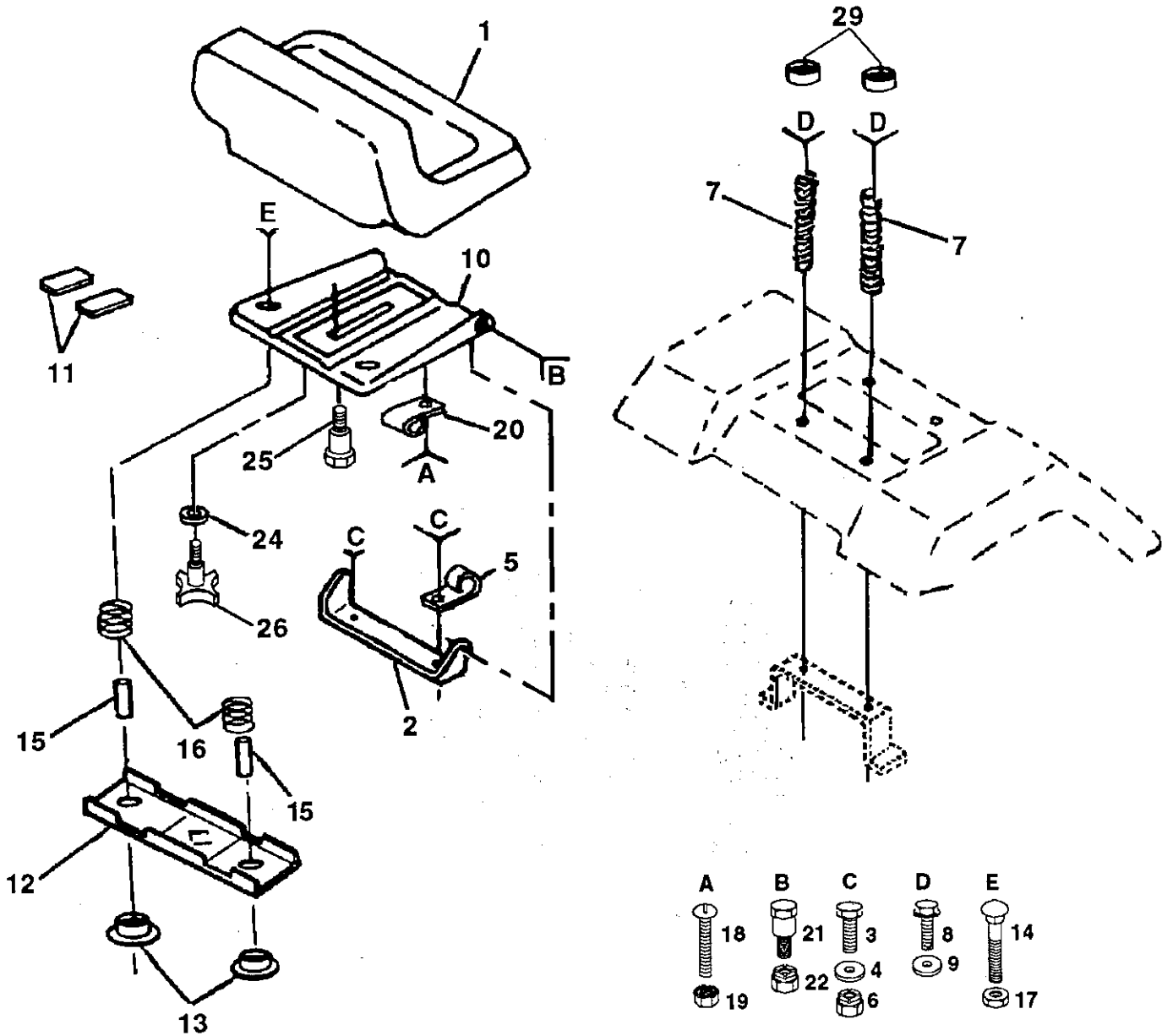
| KEY PART NO. | NO. | DESCRIPTION |
|-----------------|------------|--|
| 1 | 134265 | Control, Throttle |
| 2 | 17720410 | Screw, Hex Head, Thread Cutting 1/4-20 x 5/8 |
| 3 | 137510 | Engine, Kohler, 14 HP, Model No. CV14S, Type No. PS1452 |
| 4 | 137350 | Muffler, Exhaust |
| 7 | --- | Plug, Oil Drain (Order From Engine Manufacturer) |
| 8 | STD551131 | Washer, Lock |
| 9 | 74760508 | Bolt |
| 10 | 109202X | Tank, Fuel |
| 11 | 123549X | Cap Assembly, Fuel |
| 12 | 123487X | Clamp, Hose |
| 13 | 101335K | Line, Fuel |
| 14 | 13280328 | Nipple, Pipe |
| 15 | 13200300 | Elbow, Standard 90°, 3/8-18 NPT |
| 16 | STD551231 | Washer |
| 17 | M740108025 | Hex Bolt |
| 18 | 17490612 | Screw, Hex Wsh Thdrol 3/8-16 x 3/4 |
| 19 | 128230 | Strap Support Fuel Tank |
| 20 | 124028X | Bushing Snap Nyl Blk Fuel Line |
| 22 | 137180 | Arrester, Spark |
| 23 | 128953 | Shield, Heat |
| 24 | STD601005 | Screw |
| 25 | 128229 | Bracket Pnt Support Tank |
| 26 | STD541437 | Nut, Crownlock 3/8-16 |
| 27 | 123650X | Stud 1/4 Turn |
| 28 | 133747 | Shield Heat Lt |
| 29 | 19091016 | Washer 9/32 x 5/8 x 16 Ga. |
| 30 | 105838X | Retainer 1/4 Turn |
| 31 | 105839X | Receptacle 1/4 Turn |
| 32 | 74760616 | Bolt, Hex 3/8-16 x 1 |

NOTE: All component dimensions given in U.S. inches
1 inch = 25.4 mm

REPAIR PARTS

14 HP 42" TRACTOR - - MODEL NUMBER 917.255460

SEAT ASSEMBLY



**KEY PART
NO. NO.**

DESCRIPTION

| | | |
|----|-----------|-------------------------------|
| 1 | 127438X | Seat |
| 2 | 126656X | Bracket, Pivot, Seat |
| 3 | STD523707 | Bolt |
| 4 | 19131210 | Washer 13/32 x 3/4 x 10 Gauge |
| 5 | 2751R | Clip, Fuel Line |
| 6 | STD541437 | Nut |
| 7 | 124181X | Spring, Seat |
| 8 | 17490616 | Screw Thdrol 3/8-16 x 1 |
| 9 | 19131614 | Washer 13/32 x 1 x 14 Gauge |
| 10 | 131451 | Pan, Seat |
| 11 | 121251X | Strip, Foam |
| 12 | 121246X | Bracket, Switch Mounting |
| 13 | 121248X | Bushing, Snap, Nylon |
| 14 | 72050411 | Bolt, Carriage 1/4-20 x 1-3/8 |
| 15 | 134300 | Spacer, Split |

**KEY PART
NO. NO.**

DESCRIPTION

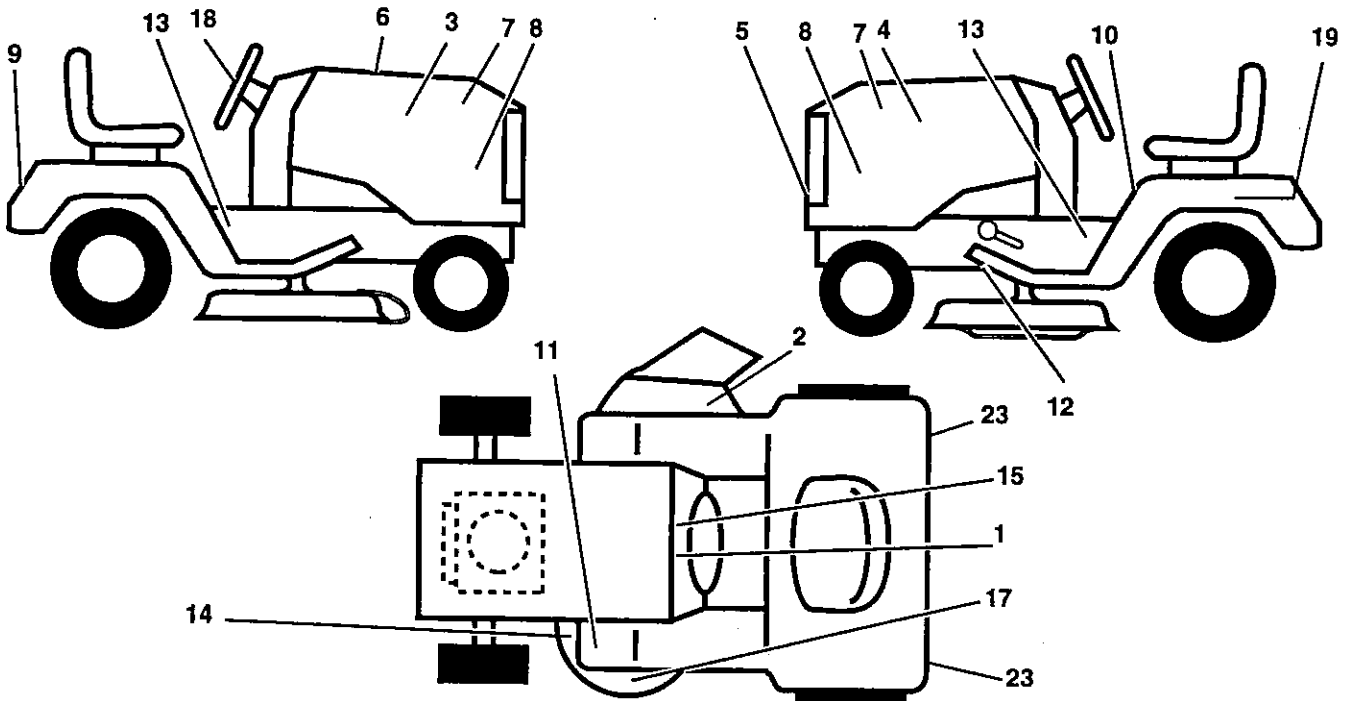
| | | |
|----|-----------|----------------------------------|
| 16 | 121250X | Spring |
| 17 | 123976X | Nut, Flangelock 1/4 Grade 5 |
| 18 | STD511005 | Screw |
| 19 | 73951000 | Nut, Keps #10-32 UNF |
| 20 | 4171R | Clip, Insulated |
| 21 | 105529X | Bolt, Shoulder 5/16-18 UNC |
| 22 | STD541431 | Nut |
| 24 | 19171912 | Washer 17/32 x 1-3/16 x 12 Gauge |
| 25 | 127018X | Bolt, Shoulder 5/16-18 x .62 |
| 26 | 120068X | Knob, Seat |
| 29 | 124238X | Cap, Spring, Seat |

NOTE: All component dimensions given in U.S. inches
1 inch = 25.4 mm

REPAIR PARTS

14 HP 42" TRACTOR -- MODEL NUMBER 917.255460

DECALS



KEY PART NO. NO.

DESCRIPTION

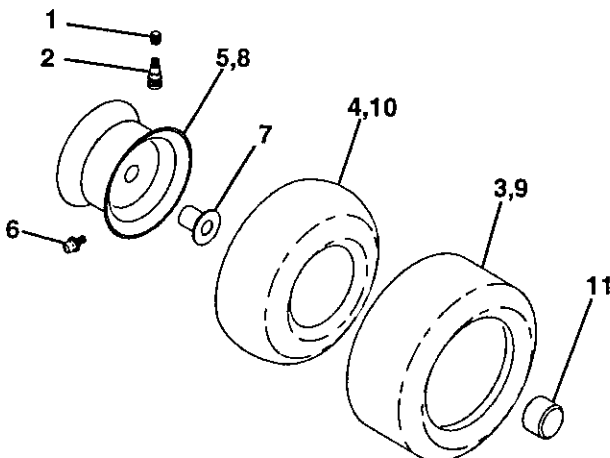
| | | |
|----|--------|------------------------------|
| 1 | 136794 | Decal, Operating Instruction |
| 2 | 133178 | Decal, Mower, 3 In One |
| 3 | 138042 | Decal, Hood, Craftsman, RH |
| 4 | 138043 | Decal, Hood, Craftsman, LH |
| 5 | 138592 | Decal, Grille, Craftsman |
| 6 | 133644 | Decal, Maintenance |
| 7 | 138048 | Decal, Side Panel |
| 8 | 133204 | Decal, Side Panel |
| 9 | 128314 | Decal, Fender, Craftsman |
| 10 | 137537 | Decal, Caution |
| 11 | 4900J | Decal, Clutch/Brake |

KEY PART NO. NO.

DESCRIPTION

| | | |
|----|---------|--|
| 12 | 121215X | Decal, V-Belt Drive Schematic |
| 13 | 138145 | Decal, Chassis, Hydro/42" |
| 14 | 136832 | Decal, V-Belt Schematic |
| 15 | 138836 | Decal YT/GT Dash LT |
| 17 | 133179 | Decal, Mower QC System |
| 18 | 132266 | Decal, Insert Strg |
| 19 | 138047 | Decal, Battery |
| 23 | 106202X | Reflector, Taillight |
| -- | 138311 | Decal, Handle Lift Height Adjust (Lift Handle) |
| -- | 137807 | Manual, Owner's (Eng) |
| -- | 137809 | Manual, Owner's (Spanish) |

WHEELS & TIRES



KEY PART NO. NO.

DESCRIPTION

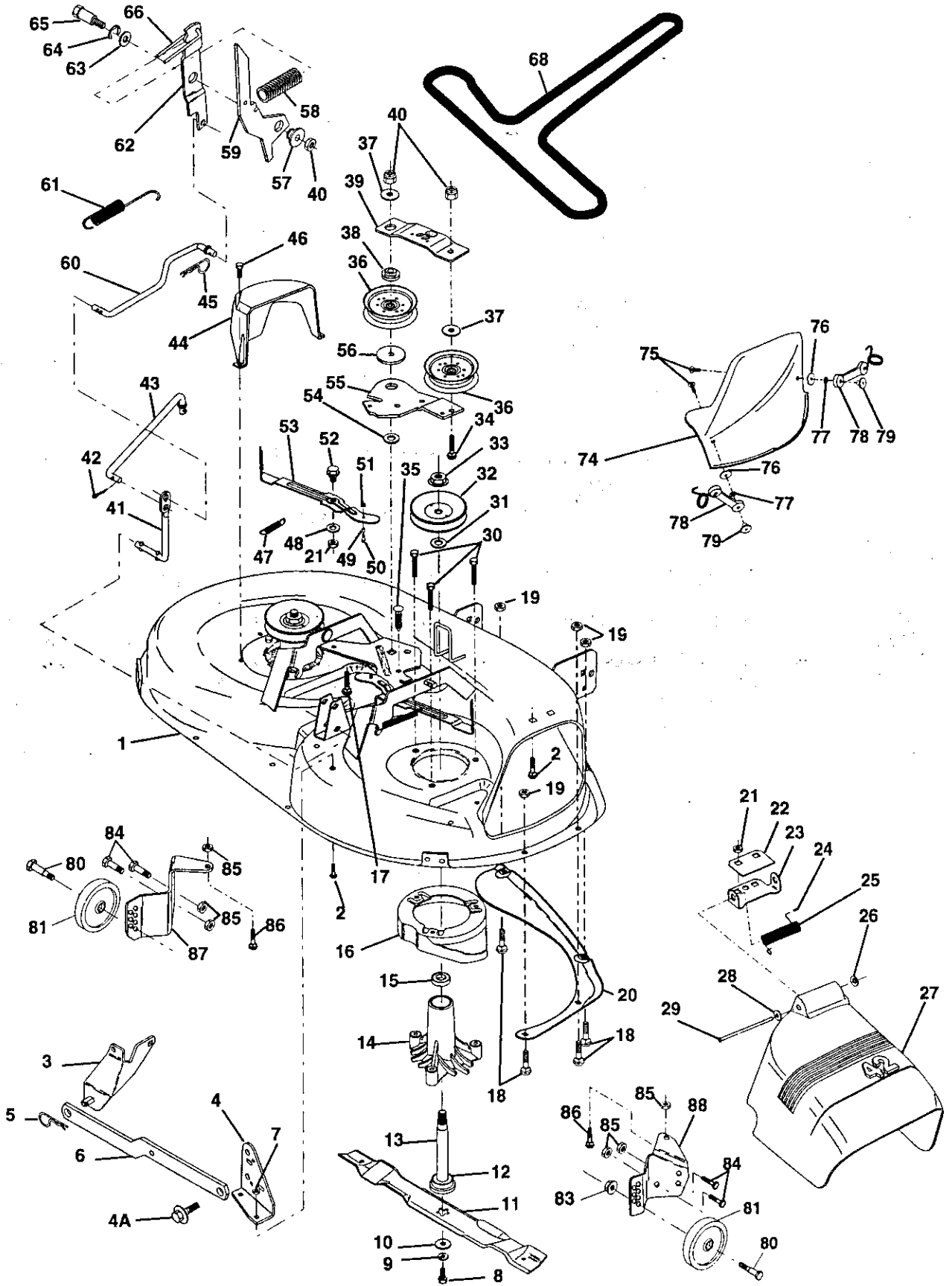
| | | |
|----|------------|------------------------------------|
| 1 | 59192 | Cap, Valve, Tire |
| 2 | 65139 | Stem, Valve |
| 3 | 106222X | Tire, Front |
| 4 | 59904 | Tube, Front (Service Item Only) |
| 5 | 106732X311 | Rim Assembly, Front |
| 6 | 278H | Fitting, Grease (Front Wheel Only) |
| 7 | 9040H | Bearing, Flange (Front Wheel Only) |
| 8 | 106108X311 | Rim Assembly, Rear |
| 9 | 106268X | Tire, Rear |
| 10 | 7152J | Tube, Rear (Service Item Only) |
| 11 | 104757X | Cap, Axle |

NOTE: All component dimensions given in U.S. inches
1 inch = 25.4 mm

REPAIR PARTS

14 HP 42" TRACTOR -- MODEL NUMBER 917.255460

42" MOWER DECK



REPAIR PARTS

14 HP 42" TRACTOR - - MODEL NUMBER 917.255460

42" MOWER DECK

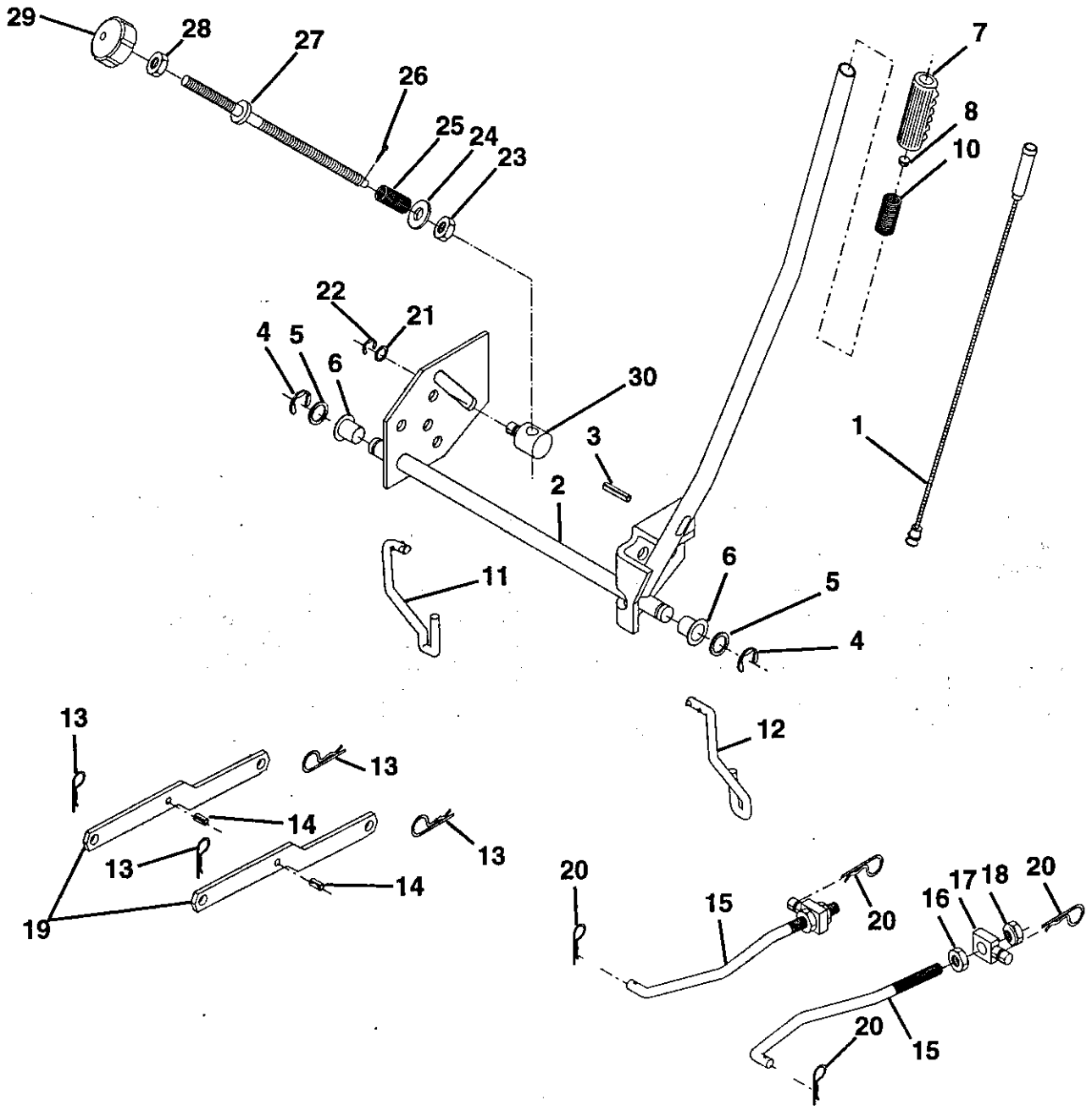
| KEY PART NO. NO. | DESCRIPTION | KEY PART NO. NO. | DESCRIPTION | | |
|------------------|-------------|--|-------------|-----------|---|
| 1 | 138024 | Mower Deck Assembly, 42" | 43 | 133504 | Rod, Clutch, Secondary, with Nibs |
| 2 | STD533107 | Bolt | 44 | 134236 | Guard, Mandrel, LH |
| 3 | 138017 | Bracket Asm Fr. Sway Bar | 45 | STD624003 | Retainer |
| 4 | 138440 | Bracket Asm Deck 42" Sway Bar | 46 | 17720410 | Screw, Hex Head, Thread Cutting 1/4-20 x 5/8 |
| 4A | 132827 | Bolt, Shoulder | 47 | 131335 | Spring, Extension |
| 5 | STD624008 | Retainer Spring | 48 | 133944 | Washer, Hardened |
| 6 | 130832 | Arm, Suspension, Rear | 49 | 133940 | Roller Assembly, Cam Follower |
| 7 | 73800500 | Locknut 5/16-18 | 50 | 131340 | Bolt, Shoulder #10-24 Grade 5 |
| 8 | 850857 | Bolt 3/8-24 x 1.25 Grade 8 | 51 | STD541410 | Locknut |
| 9 | STD551137 | Washer, Lock | 52 | 105529X | Bolt, Shoulder 5/16-18 UNC |
| 10 | 129962 | Washer, Hardened | 53 | 131845 | Arm Assembly, Pad, Brake |
| 11 | 134149 | Blade, Mulching, 42" Mower Deck | 54 | 133943 | Washer, Hardened |
| 12 | 129895 | Bearing, Ball | 55 | 133844 | Arm, Idler |
| 13 | 137645 | Shaft Assembly, Mandrel, Vented (Includes Key Number 12) | 56 | 122052X | Spacer, Retainer |
| 14 | 128774 | Housing, Mandrel, Vented | 57 | 127498 | Bushing, Large, Brass |
| 15 | 110485X | Bearing, Ball, Mandrel | 58 | 128759 | Spring, Mower Clutch |
| 16 | 136929 | Stripper, Vented Mower Deck | 59 | 127846 | Arm, Clutch, Primary |
| 17 | 72110618 | Bolt, Carriage 3/8-16 x 2-1/4 | 60 | 134666 | Rod, Clutch, Primary, with Nibs |
| 18 | 72140505 | Bolt, Carriage 5/16-18 x 5/8 | 61 | 133435 | Spring, Extension, Return |
| 19 | 73800500 | Locknut 5/16-18 | 62 | 127847 | Arm, Clutch, Secondary |
| 20 | 136888 | Baffle, Vortex | 63 | 121748X | Washer 25/32 x 1-5/8 x 16 Gauge |
| 21 | STD541431 | Nut | 64 | 12000029 | Ring, Klip |
| 22 | 134753 | Stiffener Bracket | 65 | 128903 | Bolt, Shoulder 3/8-16 UNC x 1.44 |
| 23 | 131267 | Bracket, Deflector | 66 | 127845 | Keeper, Spring |
| 24 | 105304X | Cap, Sleeve | 68 | 130969 | V-Belt, 42" Mower |
| 25 | 123713X | Spring, Torsion, Deflector | 74 | 136420 | Mulcher Cover |
| 26 | 110452X | Nut, Push | 75 | 71161010 | Screw |
| 27 | 130968 | Shield, Deflector | 76 | 19061216 | Washer #10 |
| 28 | 19111016 | Washer 11/32 x 5/8 x 16 Gauge | 77 | STD551110 | Washer, Lock |
| 29 | 131491 | Rod, Hinge | 78 | 130758 | Latch Assembly, Bagger |
| 30 | 78158 | Bolt 5/16-18 x 1.25 | 79 | 2029J | Nut, Lock |
| 31 | 129963 | Washer, Spacer | 80 | 133814 | Bolt, Shoulder |
| 32 | 129861 | Pulley, Mandrel | 81 | 133957 | Wheel, Gauge, Donut |
| 33 | 137266 | Nut, Toplock 9/16 | 83 | 73980600 | Nut, Crownlock 3/8 - 16 |
| 34 | STD533717 | Bolt | 84 | 74760512 | Bolt, Hex Head 5/16 - 18 UNC x 3/4 |
| 35 | 133835 | Fastner, Christmas Tree | 85 | 73510500 | Nut, Keps 5/16 - 18 UNC |
| 36 | 131494 | Pulley, Idler, Flat | 86 | 72110504 | Bolt, Carriage 5/16 UNC x 1/2 |
| 37 | 19131612 | Washer 13/32 x 1 x 12 Gauge | 87 | 132263 | Bracket, Gauge, Wheel LH |
| 38 | 133502 | Spacer, Idler Arm, Upper | 88 | 132262 | Bracket, Gauge, Wheel RH |
| 39 | 133503 | Stiffner, Idler Arm, Upper, Hardened | -- | 130794 | Mandrel Assembly (Includes Key Numbers 8-10, 12-15, 31 and 33) |
| 40 | STD541437 | Nut | -- | 138357 | Mower Deck, Complete (Std. Deck order mulcher blades, mulching and gauge wheel components separately. Key Nos. 11, 75-79 and 80-86) |
| 41 | 133551 | Rod, Pivot, with Nibs | | | |
| 42 | STD560907 | Cotter Pin | | | |

NOTE: All component dimensions given in U.S. inches
1 inch = 25.4 mm

REPAIR PARTS

14 HP 42" TRACTOR -- MODEL NUMBER 917.255460

42" MOWER LIFT



REPAIR PARTS

14 HP 42" TRACTOR - - MODEL NUMBER 917.255460

42" MOWER LIFT

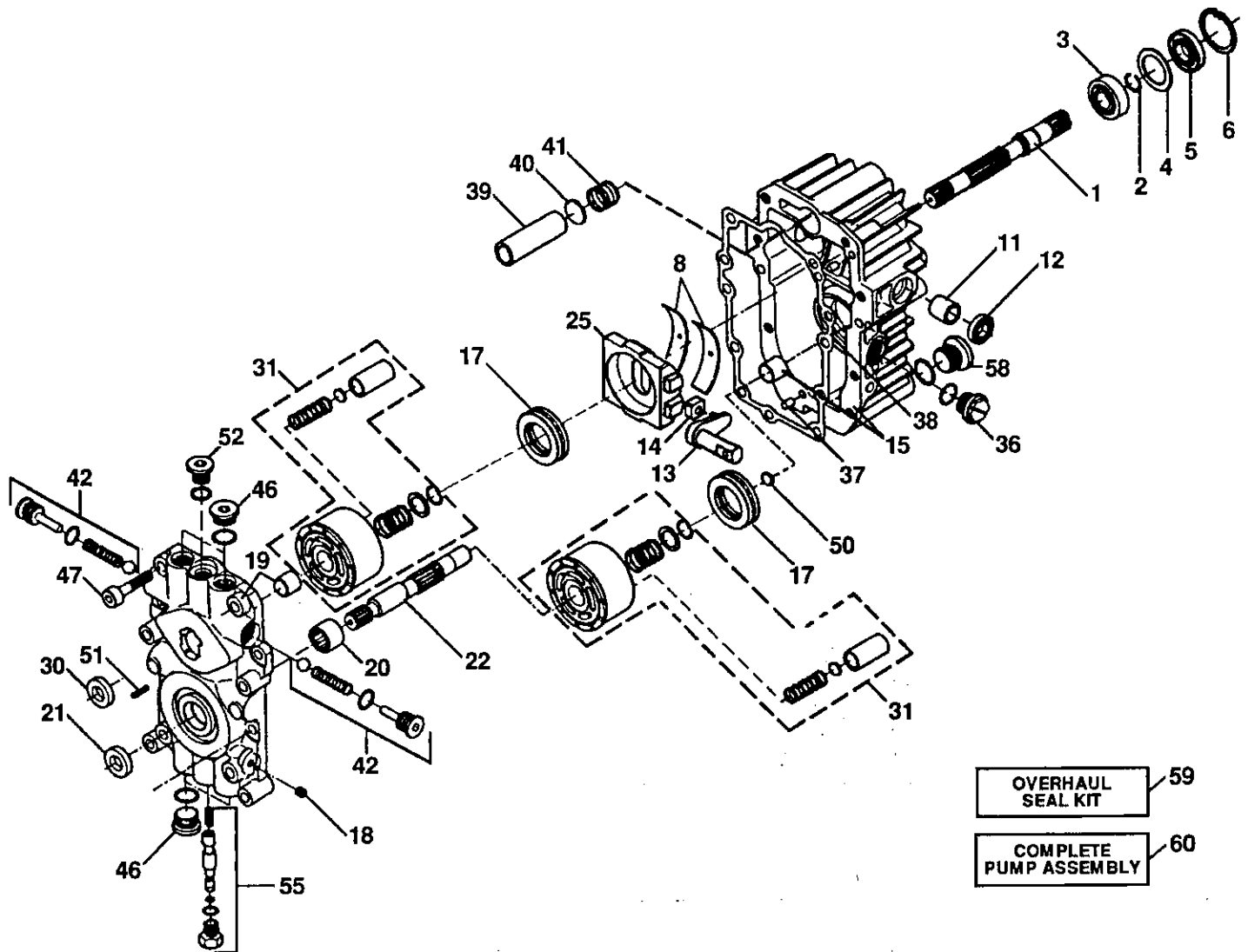
| KEY PART NO. | NO. | DESCRIPTION |
|-----------------|----------|--------------------------------|
| 1 | 136971 | Wire Asm., Inner w/plunger |
| 2 | 136968 | Shaft Asm Lift |
| 3 | 138284 | Pin Groove |
| 4 | 12000002 | E Ring #5133-62 |
| 5 | 19211416 | Washer 21/32 X 7/8 X 16 Ga |
| 6 | 120183X | Bearing Nylon |
| 7 | 125631X | Grip Handle Fluted |
| 8 | 122365X | Button, Plunger |
| 10 | 122512X | Spring Cprsn |
| 11 | 134619 | Link Lift Lh Fixed Length |
| 12 | 135388 | Link Lift Rh Fixed Length |
| 13 | 4939M | Retainer Spring |
| 14 | 135563 | Pin Roll Slit 5/16 X 1.25 |
| 15 | 127218 | Link Front |
| 16 | 73350800 | Nut Jam Hex 1/2-13 Unc |
| 17 | 130171 | Trunnion Blk Zinc |
| 18 | 73800800 | Nut Lock W/Wsh 1/2-13 Unc |
| 19 | 130832 | Arm Suspension Rear |
| 20 | 3146R | Retainer Spring |
| 21 | 19151216 | Washer 15/32 X 3/4 X 16 Ga |
| 22 | 12000037 | Ring Klip #T5304-37 |
| 23 | 110807X | Nut Special |
| 24 | 19131016 | Washer 13/32 X 5/8 X 16 Ga |
| 25 | 2876H | Spring 2-1/8" |
| 26 | 76020308 | Pin Cotter 3/32 x 1/2 |
| 27 | 110729X | Rod Adjust Lift |
| 28 | 73350600 | Nut Hex Jam 3/8-16 Unc |
| 29 | 138057 | Knob Infinite 3/8-16 Unc Black |
| 30 | 110810X | Trunnion Dp Stop Dbl Thds Plt |

NOTE: All component dimensions given in U.S. inches
1 inch = 25.4 mm

REPAIR PARTS

14 HP 42" TRACTOR - - MODEL NUMBER 917.255460

SUNSTRAND PUMP ASSEMBLY - MODEL NUMBER BDU-10S



KEY PART NO. NO.

DESCRIPTION

| | | |
|----|---------|---------------------------|
| 1 | 122756X | Shaft, Pump |
| 2 | 122716X | * Ring, Retaining |
| 3 | 122745X | Bearing, Ball |
| 4 | 122715X | * Spacer |
| 5 | 122700X | * Seal, Lip |
| 6 | 122699X | * Ring, Retaining |
| 8 | 122767X | Bearing, Cradle |
| 11 | 122747X | Bearing, Journal |
| 12 | 122717X | * Seal, Lip |
| 13 | 122748X | Arm, Trunnion |
| 14 | 122749X | Guide, Slot |
| 15 | 127146X | Housing Kit, Transmission |
| 17 | 122770X | Bearing, Thrust, Ball |
| 18 | 122771X | Plug, Pipe |
| 19 | 127147X | Center Section Kit |
| 20 | 122773X | Bearing, Needle |
| 21 | 122722X | * Seal, Lip |
| 22 | 122750X | Shaft, Motor |
| 25 | 127148X | Swashplate, Variable |
| 30 | 122723X | * Seal, Lip |

KEY PART NO. NO.

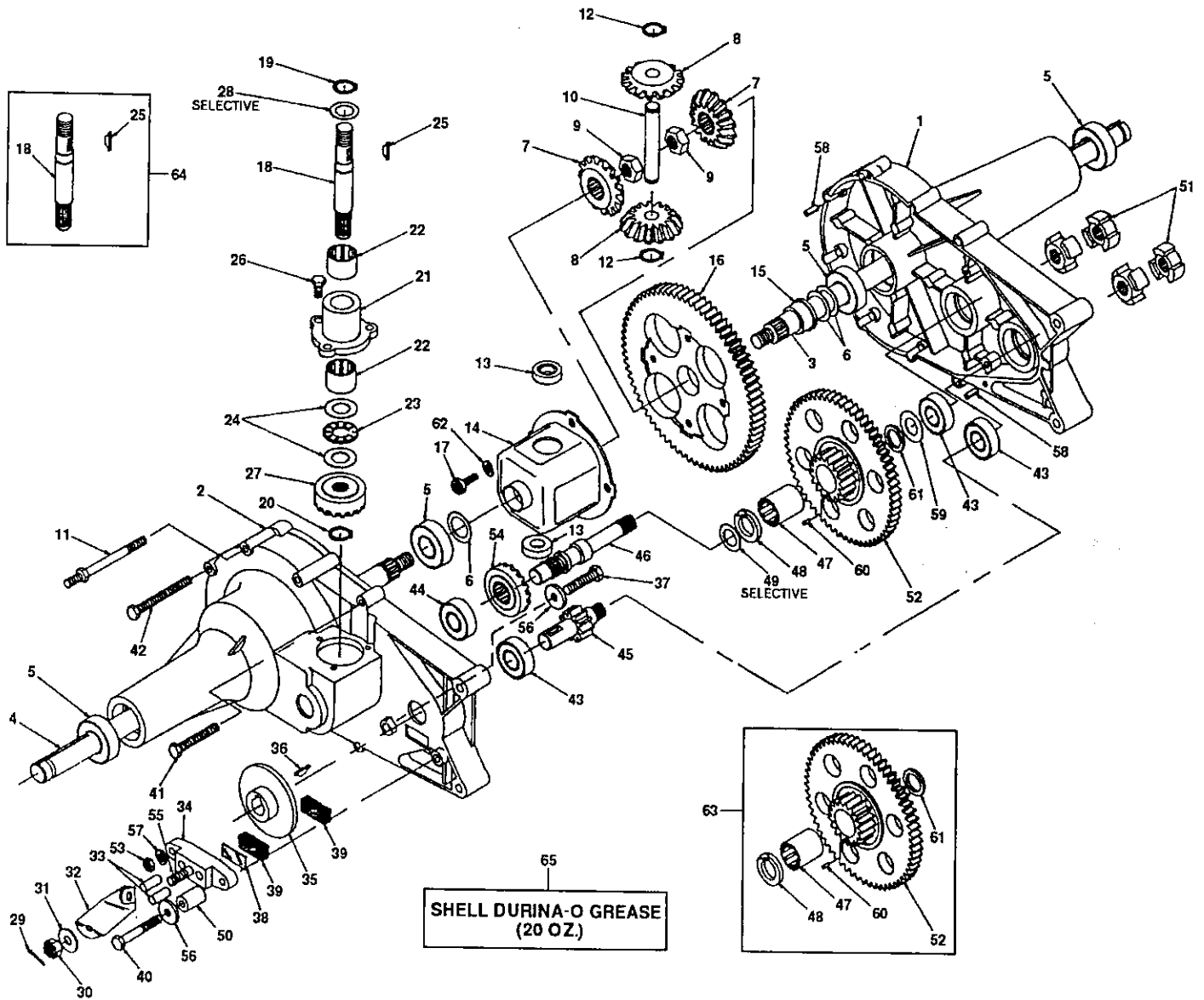
DESCRIPTION

| | | |
|----|---------|--|
| 31 | 127149X | Block Kit, Cylinder |
| 36 | 127151X | Plug, Plastic |
| 37 | 122786X | Pin, Stainless, Headless |
| 38 | 122718X | * Gasket, Center Section |
| 39 | 122731X | Filter |
| 40 | 122730X | Washer, Thrust |
| 41 | 122728X | Spring, Helical, Compression |
| 42 | 127152X | Check Valve Kit |
| 46 | 122787X | Plug, Stainless, Threaded |
| 47 | 122752X | Screw, Socket Head, Cap |
| 50 | 122788X | Washer, Thrust |
| 51 | 122789X | Pin, Spiral |
| 52 | 122754X | Plug, Stainless, Threaded |
| 55 | 127153X | Bypass Valve Kit |
| 58 | 122790X | Plug, Stainless, Threaded |
| 59 | 127154X | Overhaul Seal Kit, BDU-10 |
| 60 | 121430X | Includes: Items marked with an asterisk (*); O-Rings for Check Valves and Bypass Valve Pump Assembly, Complete |

REPAIR PARTS

14 HP 42" TRACTOR - - MODEL NUMBER 917.255460

AGRI-FAB TRANSAXLE - MODEL NUMBER 121431X



REPAIR PARTS

14 HP 42" TRACTOR - - MODEL NUMBER 917.255460

AGRI-FAB TRANSAXLE - MODEL NUMBER 121431X

| KEY PART NO. NO. | DESCRIPTION | KEY PART NO. NO. | DESCRIPTION |
|---------------------|---------------------------------|---------------------|---------------------------------------|
| 1 122614X | Housing, Half L.H. | 35 122664X | Disc, Brake |
| 2 122615X | Housing, Half R.H. | 36 123065X | Key, Hi-Pro 3/16 x 5/8" |
| 3 122616X | Axle L.H. | 37 122666X | Screw, Hex 1/4-20 x 1.50 |
| 4 122620X | Axle R.H. | 38 122667X | Plate, Puck |
| 5 122621X | Bearing, Ball | 39 122668X | Puck, Brake |
| 6 122622X | Washer, Flat 3/4 x 1-1/8 x .030 | 40 123066X | Screw, Hex w/Patch 1/4-20 x 2.00 |
| 7 122623X | Gear, Miter | 41 122670X | Screw, Hex Self-Tap 1/4-20 x 2.00 |
| 8 122624X | Gear, Miter | 42 122671X | Screw, Hex Self-Tap 1/4-20 x 3.00 |
| 9 122625X | Nut, Hex Jam w/Patch 1/2-20 | 43 126982X | Bearing, Ball |
| 10 122626X | Shaft, Cross | 44 122673X | Bearing, Ball |
| 11 122688X | Screw, Stud | 45 122674X | Shaft, Pinion W/11 Tooth Gear |
| 12 122629X | Snap, Ring | 46 122675X | Shaft, Drive |
| 13 122631X | Bearing, Thrust | 47 123059X | Bearing, Needle |
| 14 122633X | Housing Assembly, Differential | 48 123060X | Bronze Thrust Brg. 5/8 x 1-1/4 x 7/64 |
| 15 122634X | Bearing, Flange | 49 123061X | Washer, Flat .62 x 1.0 x .050 |
| 16 122640X | Gear, Differential 72 Tooth | -- 122654X | Washer, Flat .62 x 1.0 x .040 |
| 17 122641X | Bolt, Torx Head 1/4-28 x 5/8" | 50 122689X | Spacer |
| 18 122642X | Shaft, Input | 51 121839X | Coupling |
| 19 122643X | Snap, Ring | 52 126975X | Gear, 60 and 17 Tooth |
| 20 122644X | Retaining Ring 7/16" | 53 122682X | Nut, Hex 1/4-20 |
| 21 122645X | Housing, Input Bearing | 54 122683X | Gear, Drive Pinion 17 Tooth |
| 22 122646X | Bearing, Needle | 55 122684X | Bolt, Square Head |
| 23 122647X | Bearing, Thrust | 56 122685X | Washer 15/16 x .265 x .125 |
| 24 122648X | Washer, Flat 5/8 x 1-1/8 x .030 | 57 122686X | Washer, Spring Lock 1/4" |
| 25 122649X | Key, Hi-Pro 3/32 x 5/8 | 58 122687X | Pin, Roll 3/16" x 1/2" |
| 26 122650X | Screw, Hex W/Patch 1/4-20 x 3/4 | 59 122652X | Washer, Flat .62 x 1.0 x .030 |
| 27 122651X | Gear, Input Pinion 17 Tooth | 60 123062X | Pin, Dowel 3/32 x 1/4 |
| 28 123061X | Washer, Flat .62 x 1 x .05 | 61 123063X | Seal, Grease |
| -- 122678X | Washer, Flat .62 x 1.125 x .060 | 62 126977X | Washer, Head Spring Lock 1/4" |
| -- 122654X | Washer, Flat .62 x 1 x .040 | 63 126980X | Assembly, Gear, Reduction |
| 29 122656X | Pin, Cotter | 64 126981X | Assembly, Shaft, Input |
| 30 122653X | Nut, Castle 5/16-24 | 65 126976X | Shell Durina-O Grease (20 oz.) |
| 31 122659X | Washer, Flat .343 x .88 x .062 | -- 121431X | Transaxle Assembly Complete |
| 32 122660X | Arm, Brake Actuator | | |
| 33 122662X | Pin, Brake Actuating | | |
| 34 122663X | Brake, Yoke | | |

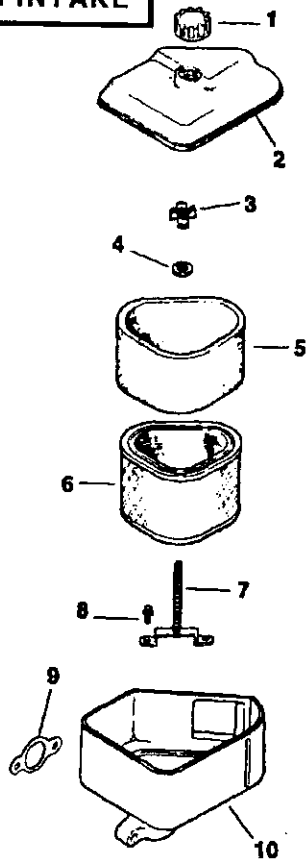
NOTE: All component dimensions given in U.S. inches
1 inch = 25.4 mm

REPAIR PARTS

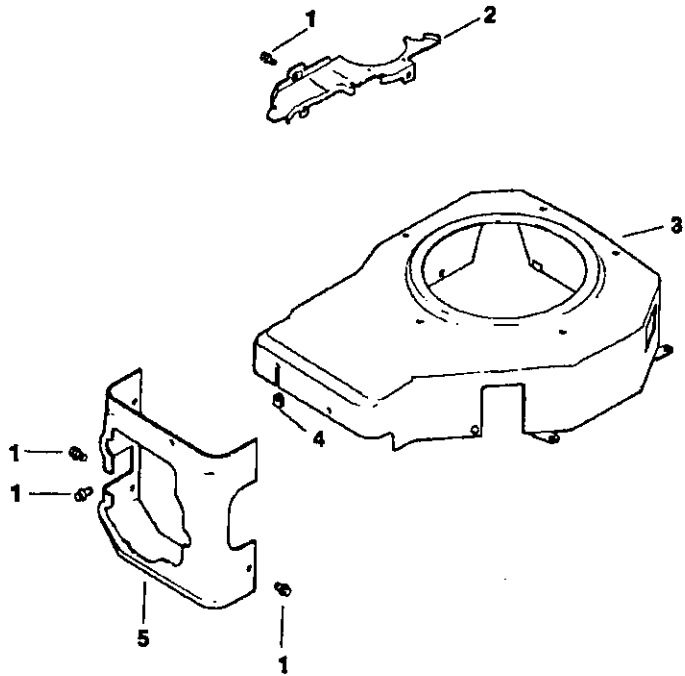
14 HP 42" TRACTOR - - MODEL NUMBER 917.255460

KOHLER ENGINE MODEL NUMBER CV14S, TYPE NUMBER PS 1452

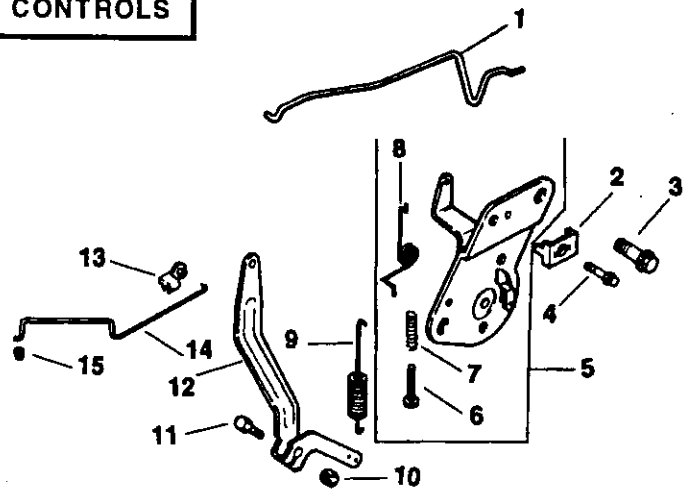
AIR INTAKE



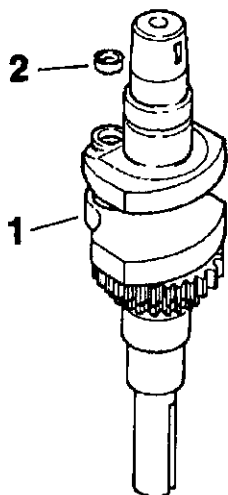
BLOWER HOUSING AND BAFFLES



ENGINE CONTROLS



CRANKSHAFT



EXHAUST



REPAIR PARTS

14 HP 42" TRACTOR - - MODEL NUMBER 917.255460

KOHLER ENGINE MODEL NUMBER CV14S, TYPE NUMBER PS 1452

AIR INTAKE

| KEY PART NO. NO. | DESCRIPTION |
|------------------|----------------------------|
| 1 12 341 01 | Knob, Air Cleaner Cover |
| 2 12 096 06 | Cover, Air Cleaner |
| 3 12 100 01 | Wing Nut |
| 4 X-25-63 | Washer, Plain 1/4 |
| 5 12 083 08 | Precleaner Element |
| 6 12 083 05 | Element, Air Cleaner |
| 7 12 072 03 | Stud, Mounting Plate |
| 8 12 086 01 | Screw, Mounting Plate Stud |
| 9 12 041 02 | Gasket, Air Cleaner |
| 10 12 094 01 | Base, Air Cleaner |

NOT ILLUSTRATED

-- 12 113 27 Decal, Air Cleaner

EXHAUST

| KEY PART NO. NO. | DESCRIPTION |
|------------------|---|
| 1 M-0829033 | Stud, Exhaust Manifold M8 x 1.25 x 20 (2) |
| 2 12 041 03 | Gasket, Exhaust Manifold |
| 3 M-0841080 | Nut, Muffler Mounting M8 x 1.25 (2) |
| 4 12 126 11 | Bracket, Muffler |
| 5 12 445 01 | Strap, Lifting |
| 6 M-0645025 | Screw, Lifting Strap M6 x 1.0 x 25 (2) |
| -- 12 522 01 | Short Block |
| -- 12 755 01 | Gasket Set |

CRANKSHAFT

| KEY PART NO. NO. | DESCRIPTION |
|------------------|-------------|
| 1 12 014 02 | Crankshaft |
| 2 12 139 01 | Plug, Cup |

BLOWER HOUSING AND BAFFLES

| KEY PART NO. NO. | DESCRIPTION |
|------------------|------------------------------------|
| 1 SM-0545010 | Screw, Mounting M5 x 0.8 x 10 (12) |
| 2 12 146 07 | Plate, Blower Housing |
| 3 12 027 14 | Housing, Blower |
| 4 12 313 03 | Grommet, Blower Housing |
| 5 12 063 08 | Baffle, Cylinder Head |

NOT ILLUSTRATED

-- 12 113 28 Decal, Horsepower

ENGINE CONTROLS

| KEY PART NO. NO. | DESCRIPTION |
|------------------|--|
| 1 12 079 07 | Linkage, Choke |
| 2 12 237 01 | Clamp, Cable |
| 3 SM-0645016 | Screw, Hex Head M6 x 1.0 x 16 (2) |
| 4 SM-0545016 | Screw, Cable Clamp |
| 5 12 536 01 | Control, Speed Assembly (Includes Key Numbers 6 through 8) |
| 6 SM-0443025 | Screw |
| 7 12 089 11 | Spring, Choke Adjust |
| 8 12 089 04 | Spring, Choke Return |
| 9 12 089 19 | Spring, Governor |
| 10 SM-0641060 | Nut, Governor Arm M6 x 1.0 |
| 11 SM-0642025 | Screw, Governor Arm M6 x 1.0 x 25 |
| 12 12 090 05 | Lever, Governor |
| 13 25 158 11 | Bushing |
| 14 12 079 01 | Linkage, Throttle |
| 15 25 158 08 | Bushing |

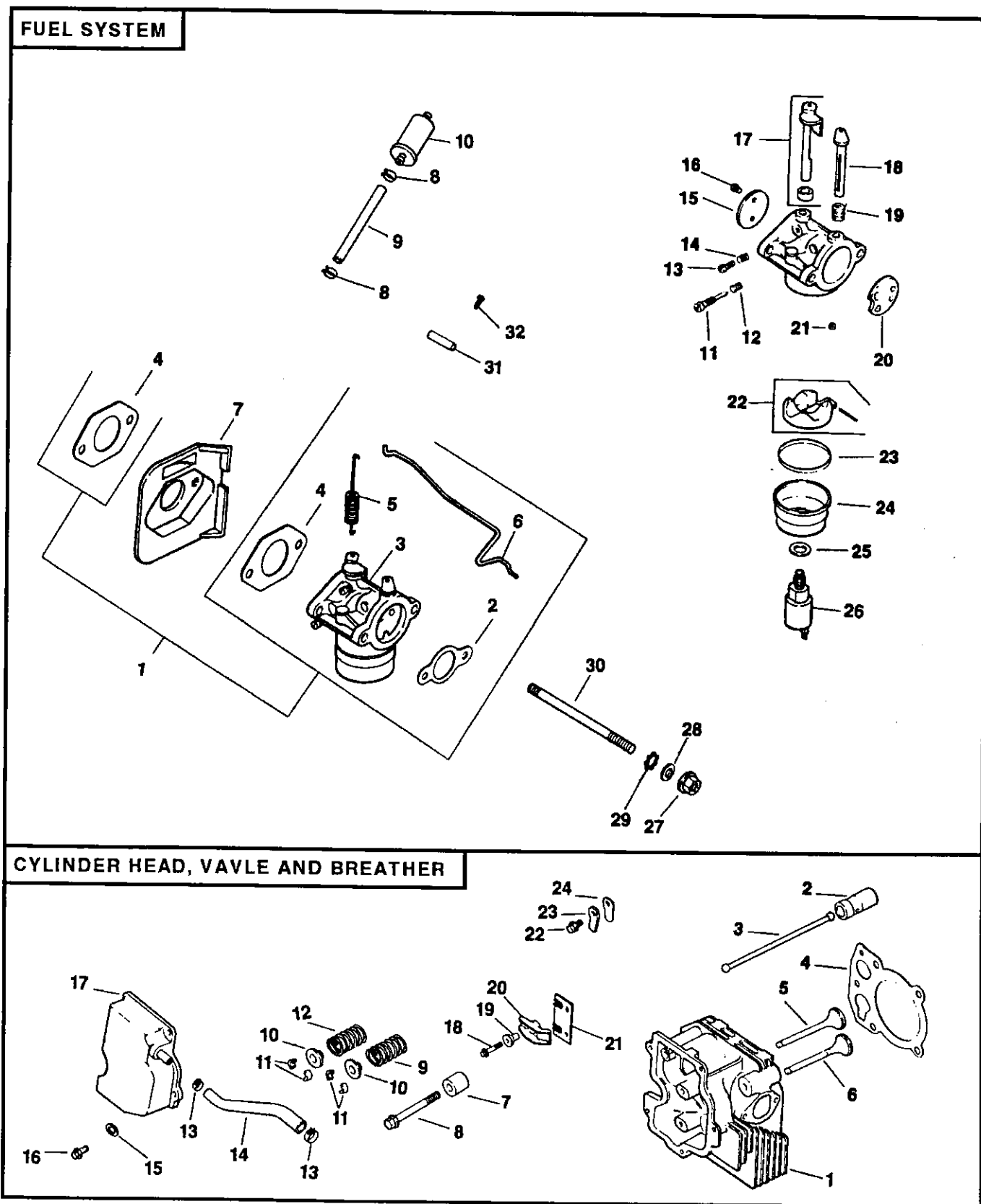
NOTE: All component dimensions given in U.S. inches
1 inch = 25.4 mm

RPM Settings: Low Speed 1500 - 2000
High Speed 3200 - 3400

REPAIR PARTS

14 HP 42" TRACTOR - - MODEL NUMBER 917.255460

KOHLER ENGINE MODEL NUMBER CV14S, TYPE NUMBER PS 1452



REPAIR PARTS

14 HP 42" TRACTOR - - MODEL NUMBER 917.255460

KOHLER ENGINE MODEL NUMBER CV14S, TYPE NUMBER PS 1452

FUEL SYSTEM

| KEY PART NO. NO. | DESCRIPTION |
|------------------|---|
| 1 12 853 26 | Kit, Carburetor (Includes Key Numbers 2 thru 6) |
| 2 12 041 02 | Gasket, Air Cleaner |
| 3 12 053 32 | Carburetor Assembly (For Information Only - Not Available Separately) (Includes Key Numbers 11 thru 26) |
| 4 12 041 01 | Gasket, Carburetor (2) |
| 5 12 089 04 | Spring, Choke Return |
| 6 12 079 07 | Linkage, Choke |
| 7 12 265 01 | Deflector, Heat |
| 8 X-426-9 | Clamp, Hose (2) |
| 9 25 353 02 | Fuel Line, 3" |
| 10 25 050 02 | Filter, Fuel |
| 11 12 368 01 | Needle, Idle, Fuel Adjust |
| 12 12 089 09 | Spring, Idle Fuel |
| 13 12 086 04 | Screw, Idle Speed Adjust |
| 14 12 089 09 | Spring, Idle Speed |
| 15 12 146 03 | Plate, Throttle |
| 16 25 086 27 | Screw, Throttle Plate (2) |
| 17 12 144 09 | Shaft, Throttle with Lever and Seal |
| 18 12 144 08 | Shaft, Choke |
| 19 12 089 10 | Spring, Choke Return |
| 20 12 146 02 | Plate, Choke |
| 21 12 337 01 | Jet, Main |
| 22 12 757 02 | Kit, Float |
| 23 12 041 05 | Gasket, Bowl |
| 24 12 104 01 | Bowl, Fuel |
| 25 12 041 06 | Gasket, Bowl Retainer Screw |
| 26 12 757 09 | Kit, Solenoid Assembly |
| 27 SM-0641060 | Nut, Carburetor M6 x 1.0 (2) |
| 28 X-25-63 | Washer, Plain 1/4 |
| 29 X-22-11 | Washer, Internal Tooth 1/4 |
| 30 M-0629122 | Stud, Carburetor M6 x 1.0 x 110 (2) |
| 31 12 431 01 | Sleeve, Insulating |
| 32 12 086 07 | Screw, Ground Wire |

NOT ILLUSTRATED

| | |
|--------------|---|
| -- 12 757 03 | Kit, Carburetor Repair |
| -- 12 755 09 | Kit, High Altitude Jet |
| -- 12 518 05 | Lead, Solenoid, Black, 5", 14 Gauge, Uninsulated Push-On Tabs |
| -- 41 518 34 | Lead, Ground, Green, 5", 18 Gauge Insulated Grip Barrel Eyelets |

CYLINDER HEAD, VALVE AND BREATHER

| KEY PART NO. NO. | DESCRIPTION |
|------------------|--|
| 1 12 318 02 | Head, Cylinder |
| 2 12 351 01 | Lifter, Valve (2) |
| 3 12 411 01 | Rod, Push (2) |
| 4 12 041 08 | Gasket, Cylinder Head |
| 5 12 017 01 | Valve, Intake, Standard Size |
| 12 017 02 | Valve, Intake, .25" Oversize |
| 6 12 016 01 | Valve, Exhaust, Standard Size |
| 12 016 02 | Valve, Exhaust, .25" Oversize |
| 7 12 112 13 | Spacer, Head Bolt Exhaust Port |
| 8 12 086 15 | Screw, Cylinder Head M10 x 1.5 x 80 (5) |
| 9 12 089 15 | Spring, Exhaust Valve |
| 10 12 173 01 | Cap, Valve Spring (2) |
| 11 12 755 03 | Kit, Retainer (2) |
| 12 12 089 01 | Spring, Intake Valve |
| 13 X-426-9 | Clamp, Hose (2) |
| 14 12 326 03 | Hose, Breather |
| 15 12 468 05 | Washer, Flat |
| 16 SM-0645020 | Screw, Valve Cover M6 x 1.0 x 20 (5) |
| 17 12 096 07 | Cover, Valve with Nipple |
| 18 M-0640034 | Screw, Rocker Arm M6 x 1 x 34 (2) |
| 19 24 194 01 | Ball, Rocker Pivot (2) |
| 20 24 186 01 | Arm, Rocker (2) |
| 21 12 146 13 | Plate, Guide |
| 22 SM-0545010 | Screw, Breather Reed Retainer M5 x 0.8 x 10 |
| 23 12 018 01 | Retainer, Breather Reed |
| 24 12 402 01 | Reed, Breather |

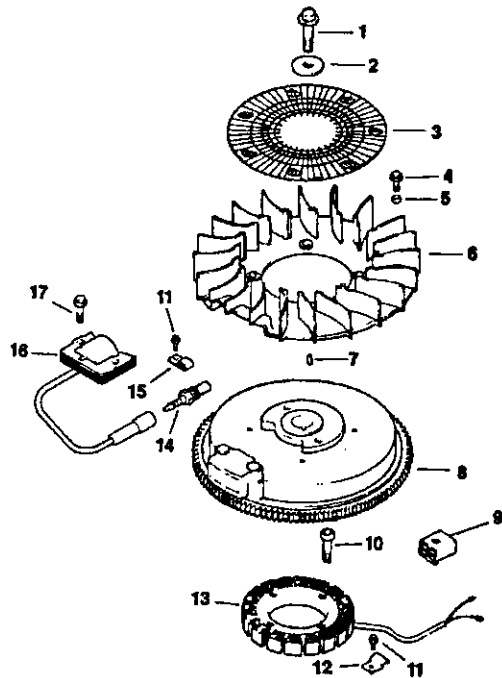
NOTE: All component dimensions given in U.S. inches
1 inch = 25.4 mm

REPAIR PARTS

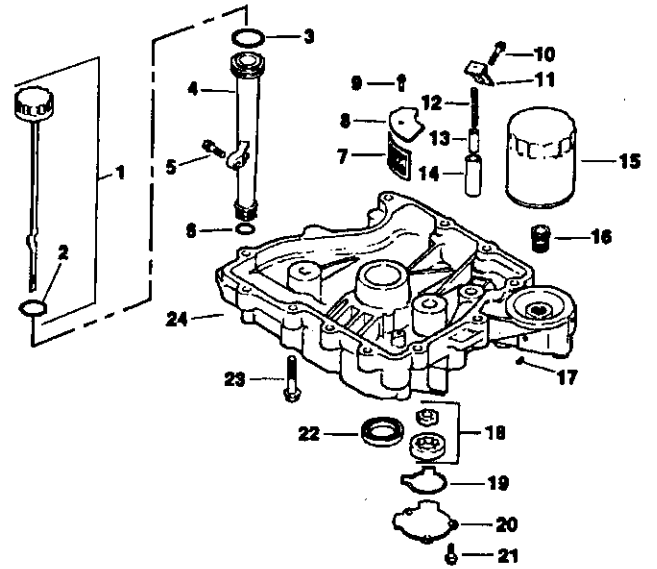
14 HP 42" TRACTOR - - MODEL NUMBER 917.255460

KOHLER ENGINE MODEL NUMBER CV14S, TYPE NUMBER PS 1452

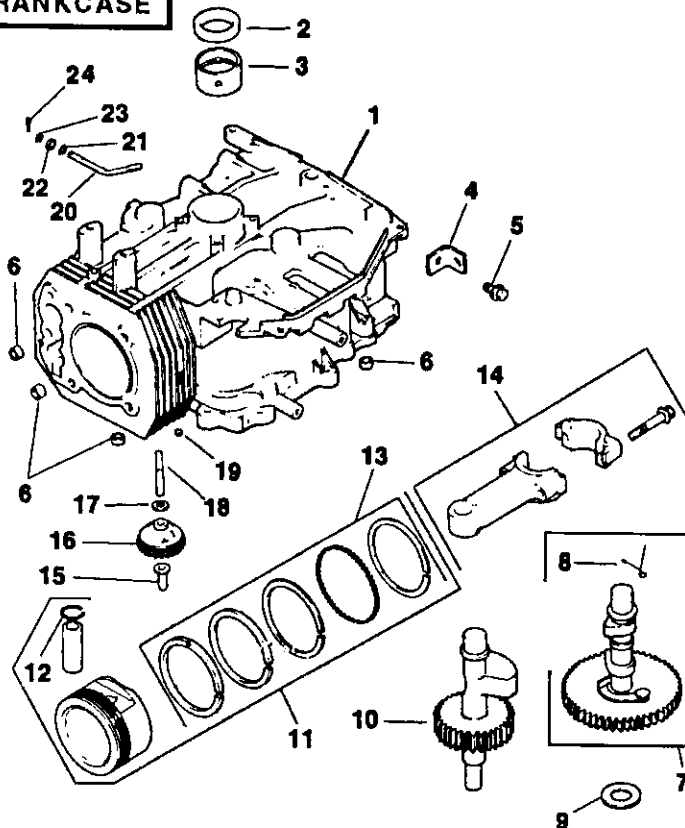
IGNITION / ELECTRICAL



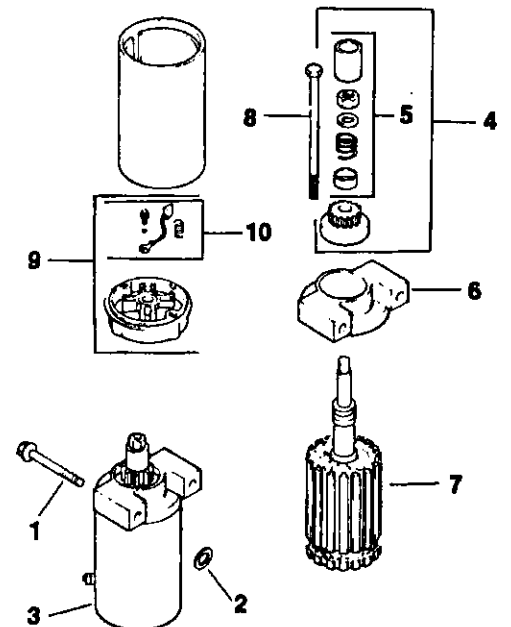
OIL PAN / LUBRICATION



CRANKCASE



STARTING SYSTEM



REPAIR PARTS

14 HP 42" TRACTOR - - MODEL NUMBER 917.255460

KOHLER ENGINE MODEL NUMBER CV14S, TYPE NUMBER PS 1452

IGNITION / ELECTRICAL

| KEY PART NO. NO. | DESCRIPTION |
|------------------|--|
| 1 12 086 14 | Screw, Flywheel M10 x 1.5 x 45.8 |
| 2 12 468 03 | Washer, Flywheel |
| 3 12 162 01 | Screen, Grass |
| 4 M-0639016 | Screw, Fan M6 x 1 x 13 (4) |
| 5 12 112 01 | Spacer, Fan (4) |
| 6 12 157 02 | Fan |
| 7 X-42-15 | Key |
| 8 12 025 25 | Flywheel Assembly |
| 9 41 155 02 | Connector |
| 10 M-0548025 | Screw, Stator Mounting M5 x 0.8 x 25 (4) |
| 11 SM-0545010 | Screw, Stator Harness Clip M5 x 0.8 x 10 (2) |
| 12 12 154 02 | Clip, Stator Harness |
| 13 12 085 03 | Stator Assembly, 15 Amp |
| 14 12 132 02 | Spark Plug |
| 15 X-728-1 | Clip, Cable |
| 16 12 584 01 | Module, Ignition |
| 17 SM-0545020 | Screw, Ignition Module M5 x 0.8 x 20 (2) |

NOT ILLUSTRATED

| | |
|--------------|--|
| -- 12 518 01 | Lead, White, Ground To Kill (19", 18 Gauge, Fully Insulated Push-on Tab and Uninsulated Push-on Tab Terminals) |
| -- 55 755 01 | Kit, Diode |

OIL PAN / LUBRICATION

| KEY PART NO. NO. | DESCRIPTION |
|------------------|---|
| 1 12 038 01 | Dipstick Assembly (Includes #2) |
| 2 12 153 03 | O-Ring, Dipstick |
| 3 12 153 02 | O-Ring, Upper Oil Fill Tube |
| 4 12 123 04 | Tube, Oil Fill |
| 5 SM-0545020 | Screw, Oil Fill Tube M5 x 0.8 x 20 |
| 6 12 153 01 | O-Ring, Lower Oil Fill Tube |
| 7 12 162 02 | Screen, Oil Pickup |
| 8 12 096 03 | Cover, Oil Pickup Screen |
| 9 SM-0545016 | Screw, Screen Cover |
| 10 M-1051025 | Screw, Oil Pump Relief Valve Bracket M10 x 1.5 x 25 |
| 11 12 126 02 | Bracket, Oil Pump Relief Valve |
| 12 12 089 03 | Spring, Oil Pump Relief Valve |
| 13 12 462 01 | Piston, Oil Pump Relief Valve |
| 14 12 208 01 | Body, Oil Pump Relief Valve |
| 15 12 050 01 | Filter, Oil |
| 16 12 136 01 | Adapter, Oil Filter |
| 17 X-75-10 | Plug, Square Head, Solid 3/8 NPTF |
| 18 12 393 01 | Oil Pump Assembly |
| 19 12 032 04 | O-Ring, Oil Pump Cover |
| 20 12 096 02 | Cover, Oil Pump |
| 21 SM-0545016 | Screw, Oil Pump Cover M5 x 0.8 x 16 (3) |
| 22 12 032 03 | Seal, Oil (P.T.O. End) |
| 23 SM-0839045 | Screw, Oil Pan M8 x 1.25 x 45 (12) |
| 24 12 199 33 | Pan, Oil |

CRANKCASE

| KEY PART NO. NO. | DESCRIPTION |
|------------------|--|
| 1 --- | Block, Cylinder (Use Short Block, Part Number 12 522 01) |
| 2 12 032 03 | Seal, Crankshaft |
| 3 12 030 01 | Bearing, Crankshaft, Standard (Flywheel End) |
| | 12 030 02 Bearing, Crankshaft .25" oversize |
| | 12 030 03 Bearing, Crankshaft .50" oversize |
| 4 12 445 02 | Strap, Lifting |
| 5 M-0839025 | Screw, Lifting Strap M8 x 1.25 x 22 |
| 6 12 380 03 | Dowel, Locating (4) |
| 7 12 010 04 | Camshaft Assembly (Includes #8) |
| 8 12 089 18 | Spring, Actuating |
| 9 12 422 08 | Shim, Camshaft |
| | 12 422 09 Shim, Camshaft (as required) |
| | 12 422 10 Shim, Camshaft (as required) |
| | 12 422 11 Shim, Camshaft (as required) |
| | 12 422 12 Shim, Camshaft (as required) |
| | 12 422 13 Shim, Camshaft (as required) |
| | 12 422 07 Shim, Camshaft (as required) |
| 10 12 144 04 | Shaft, Balance |
| 11 12 874 01 | Piston w/Ring Set, Standard |
| | 12 874 02 Piston w/Ring Set .25" oversize |
| | 12 874 03 Piston w/Ring Set .50" oversize |
| 12 12 018 02 | Retainer, Piston Pin (2) |
| 13 12 108 01 | Ring Set, Standard |
| | 12 108 02 Ring Set .25" oversize |
| | 12 108 03 Ring Set .50" oversize |
| 14 12 067 01 | Connecting Rod, Standard |
| | 12 067 02 Connecting Rod .25" oversize |
| 15 12 380 01 | Pin, Governor Regulating |
| 16 12 043 05 | Gear, Governor Assembly |
| 17 SM-0631005 | Washer, Governor Gear Thrust |
| 18 12 144 02 | Shaft, Governor Gear |
| 19 52 139 09 | Plug, Cup |
| 20 12 144 01 | Shaft, Governor Cross |
| 21 SM-0631015 | Washer, Governor Shaft |
| 22 12 032 01 | Seal, Governor Cross Shaft |
| 23 X-25-102 | Washer, Plain 1/4 |
| 24 12 380 04 | Pin, Governor Hitch |

STARTING SYSTEM

| KEY PART NO. NO. | DESCRIPTION |
|------------------|--|
| 1 M-0839070 | Screw, Bendix Starter M8 x 1.25 x 70 (2) |
| 2 12 468 01 | Washer (2) |
| 3 12 098 05 | Starter Bendix (Includes #4-10) |
| 4 12 755 12 | Kit, Drive (Includes Key Number 5) |
| 5 12 755 06 | Kit, Drive Parts |
| 6 12 227 01 | Cap, Drive End |
| 7 12 170 02 | Armature |
| 8 12 086 02 | Screw, Hex Flange |
| 9 12 243 01 | Cap, Commutator End (Includes Key Number 10) |
| 10 52 755 15 | Kit, Brush |
| NOT ILLUSTRATED | |
| -- 52 357 01 | Lubricant, Starter |