

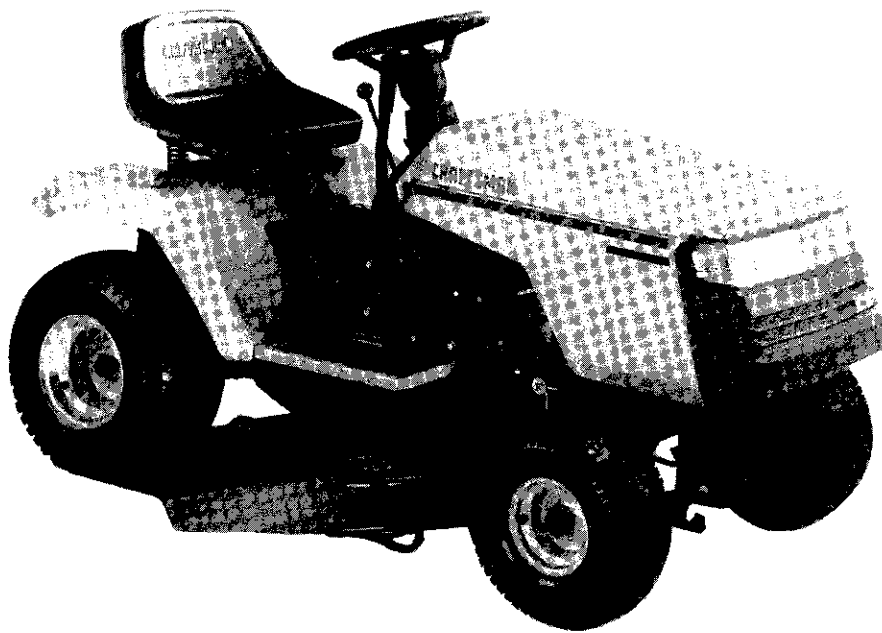
SEARS

CRAFTSMAN[®]

MODEL NUMBER 917.255470 OWNER'S MANUAL

3one[™]
Convertible

- **Assembly**
- **Operation**
- **Customer Responsibilities**
- **Service**
- **Adjustments**
- **Repair Parts**



Caution:
Read and Follow
all Safety Rules
and Instructions
Before Operating
This Equipment

Sears, Roebuck and Co., Hoffman Estates, IL 60179 U.S.A.



HANDS AND FEET AND THROWING OBJECTS.
OULD RESULT IN SERIOUS INJURY OR DEATH.

CHILDREN

Accidents can occur if the operator is not alert to the presence of children. Children are often attracted to the machine during mowing activity. Never assume that children will remain where you last saw them.

Keep children out of the mowing area and under the watchful care of another responsible adult.

Be alert and turn machine off if children enter the area. Before and when backing, look behind and down for small children.

Never carry children. They may fall off and be seriously injured or interfere with safe machine operation.


Never allow children to operate the machine.


Use extra care when approaching blind corners, shrubs, trees, or other objects that may obscure vision.

SERVICE

Use extra care in handling gasoline and other fuels. They are flammable and vapors are explosive.

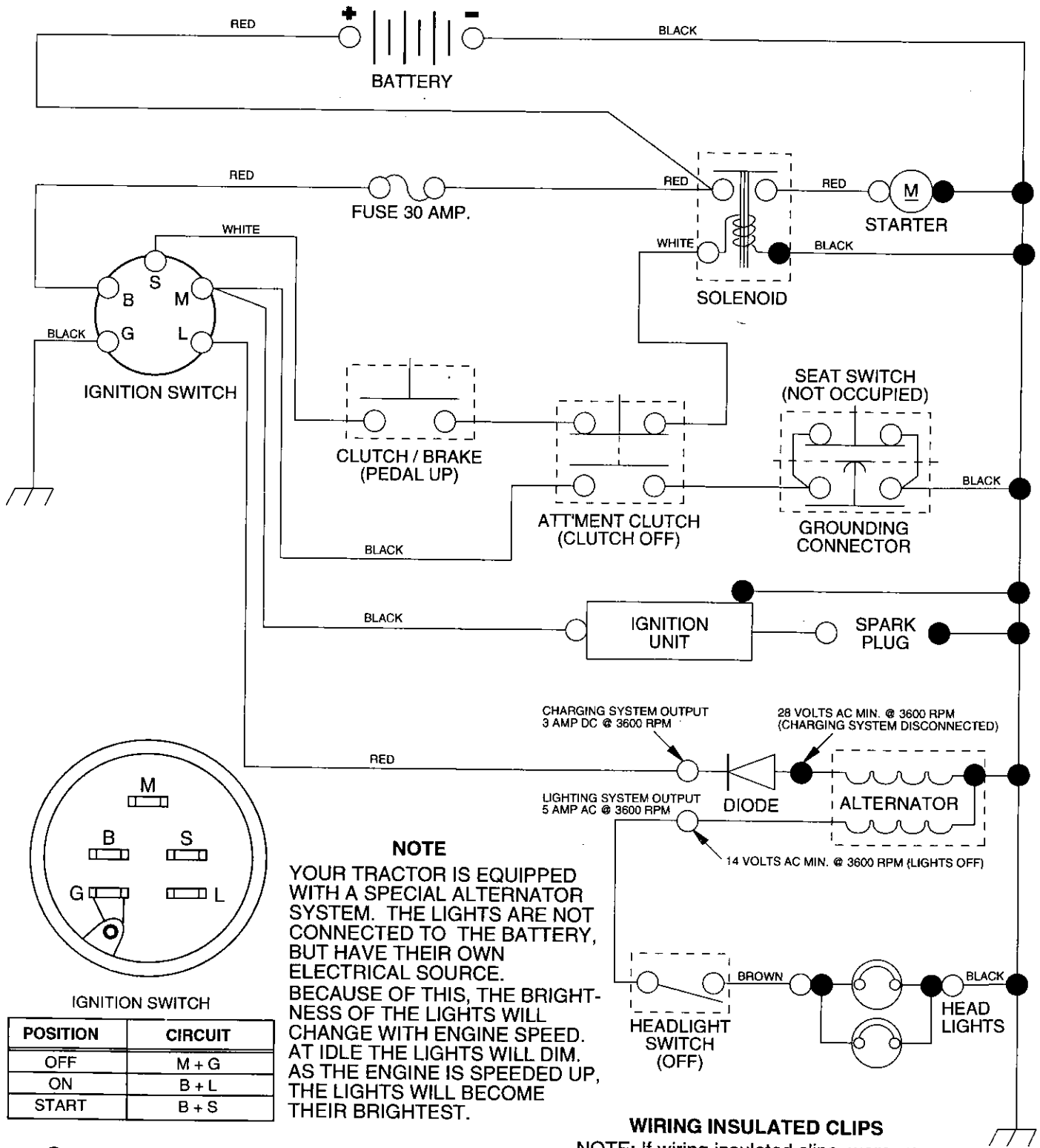
- Use only an approved container.
- Never remove gas cap or add fuel with the engine running. Allow engine to cool before refueling. Do not smoke.
- Never refuel the machine indoors.
- Never store the machine or fuel container inside where there is an open flame, such as a water heater.
- Never run a machine inside a closed area.
- Keep nuts and bolts, especially blade attachment bolts, tight and keep equipment in good condition.
- Never tamper with safety devices. Check their proper operation regularly.
- Keep machine free of grass, leaves, or other debris build-up. Clean oil or fuel spillage. Allow machine to cool before storing.
- Stop and inspect the equipment if you strike an object. Repair, if necessary, before restarting.
- Never make adjustments or repairs with the engine running.
- Grass catcher components are subject to wear, damage, and deterioration, which could expose moving parts or allow objects to be thrown. Frequently check components and replace with manufacturer's recommended parts, when necessary.
- Mower blades are sharp and can cut. Wrap the blade(s) or wear gloves, and use extra caution when servicing them.
- Check brake operation frequently. Adjust and service as required.

 Look for this symbol to point out important safety precautions. It means CAUTION!!! BECOME ALERT!!! YOUR SAFETY IS INVOLVED.

 CAUTION: Always disconnect spark plug wire and place wire where it cannot contact spark plug in order to prevent accidental starting when setting up, transporting, adjusting or making repairs.

14 HP 38" TRACTOR - - MODEL NUMBER 917.255470

SCHEMATIC



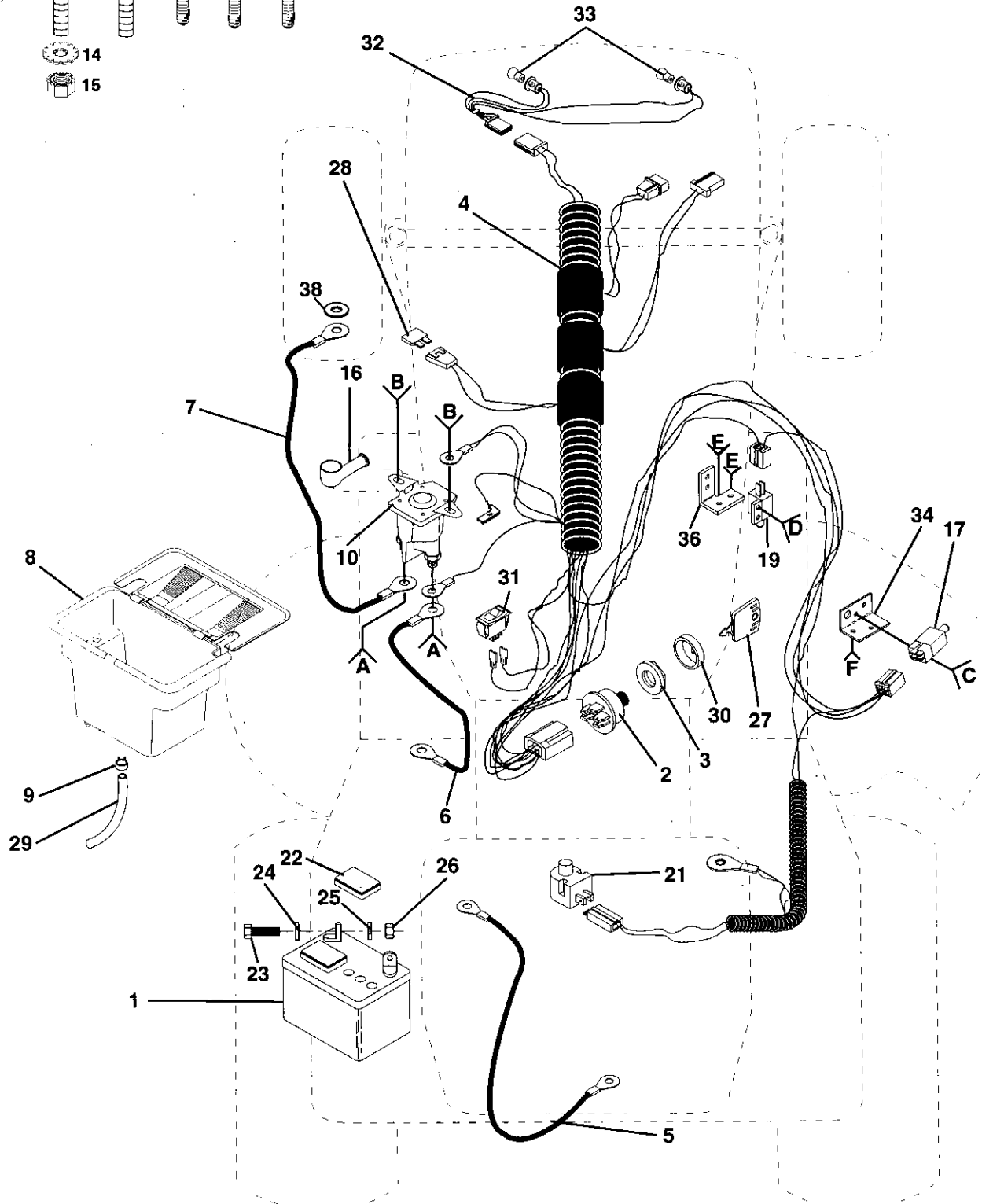
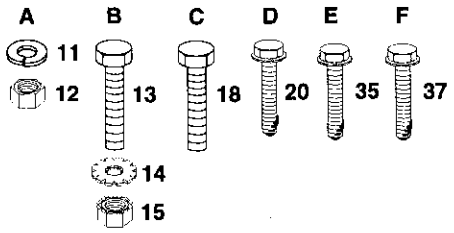
WIRING INSULATED CLIPS

NOTE: If wiring insulated clips were removed for servicing of unit, they should be replaced to properly secure your wiring.

REPAIR PARTS

14 HP 38" TRACTOR - - MODEL NUMBER 917.255470

ELECTRICAL



REPAIR PARTS

14 HP 38" TRACTOR - - MODEL NUMBER 917.255470

ELECTRICAL

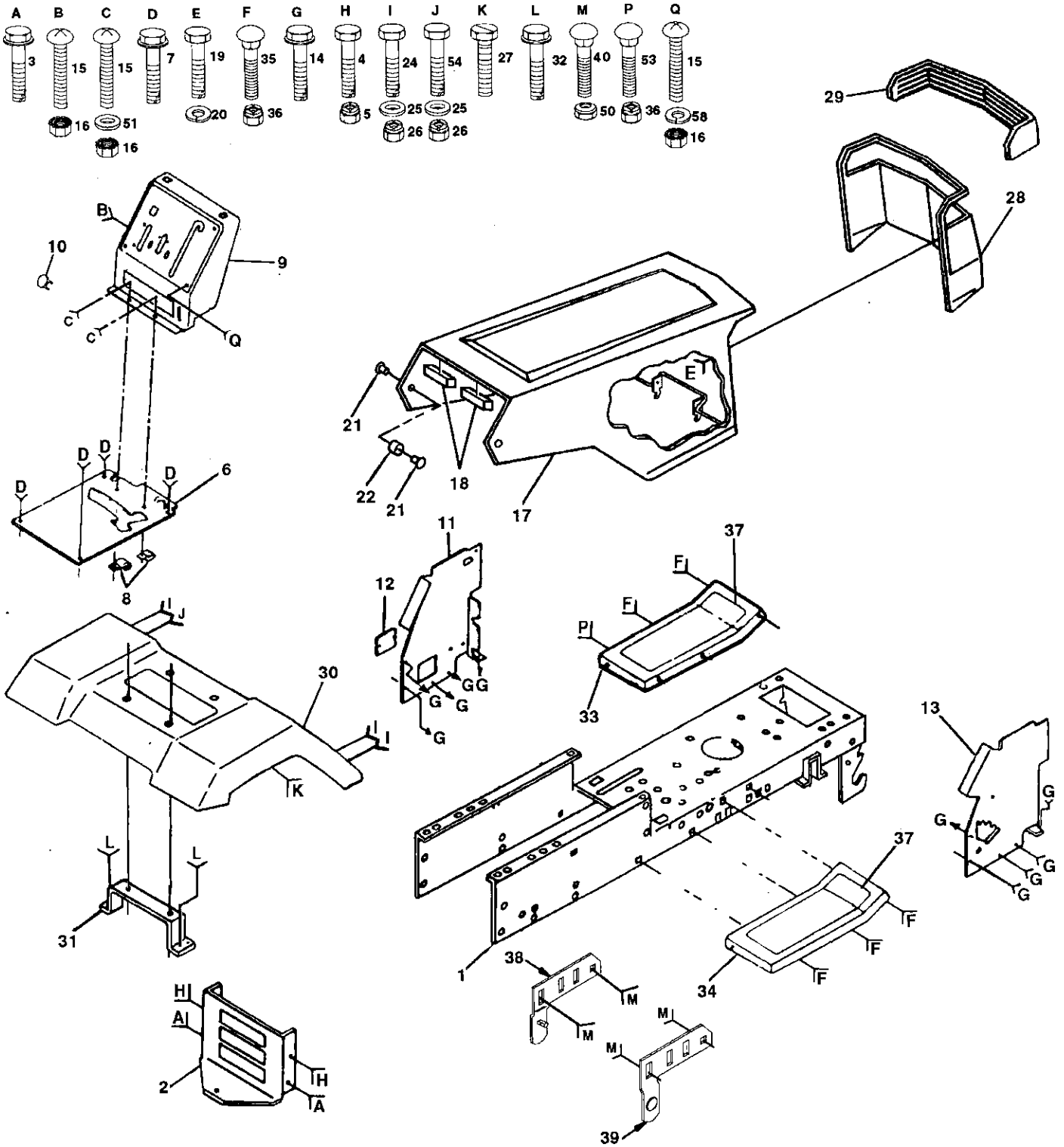
KEY NO.	PART NO.	DESCRIPTION
1	121265X	Battery 12 VOLT 25 AMP
2	102972X	Switch Ign 5 Term Wo/wash/nut
3	124211X	Nut Ignition
4	137702	Harness Ign Bs Dash Headlights
5	4207J	Cable Ground 6 Ga 12" black
6	132202	Cable Battery 6 Ga 43" red
7	4799J	Cable Battery 6 Ga 11" red
8	129965	Case Battery Hng Mech W/lid
9	109596X	Clamp Hose Olive
10	138406	Solenoid
11	10090400	Washer Lock 1/4
12	73350400	Nut Jam Hex 1/4-20 Unc
13	74780408	Bolt Fin Hex 1/4-20uncx1/2 Gr5
14	11050400	Washer Lock Ext Tooth 1/4
15	73510400	Nut Keps Hex 1/4-20 Unc
16	131563	Cover Terminal Red
17	109553X	Switch Intlk Clutch Red 4 Term
18	17021008	Screw Tap Hex #10-24unc X 1/2
19	104445X	Switch Intlk Clutch Red 2 Term
20	17021008	Screw Tap Hex #10-24unc X 1/2
21	121305X	Switch Plunger Nc Gray
22	121264X	Caps Battery 20/25/30 AMP
23	74760412	Bolt Hex Hd 1/4-20unc X 3/4
24	19091016	Washer 9/32 X 5/8 X 16 Ga
25	10040400	Washer Lock Hvy Helical 1/4
26	73220400	Nut Fin Hex 1/4-20 Unc
27	109310X	Key Ign Molded Craftsman
28	108824X	Fuse 30 AMP Auto Green
29	109238X	Tube Plastic 12"
30	123620X	Cover Sw Key Blk 1 25 Text SLT
31	110712X	Switch Light Blk Blk Red
32	136850	Harness Asm Light W/4152j
33	4152J	Bulb Light #1156
34	108236X	Bracket Switch Clutch
35	17021008	Screw Tap Hex #10-24unc X 1/2
36	130890	Bracket Switch Interlock
37	17021008	Screw Tap Hex #10-24unc X 1/2
38	11150400	Washer Lock Internal Tooth 1/4

NOTE: All component dimensions give in U.S. inches
1 inch = 25.4 mm

REPAIR PARTS

14 HP 38" TRACTOR - - MODEL NUMBER 917.255470

CHASSIS AND ENCLOSURES



REPAIR PARTS

14 HP 38" TRACTOR - - MODEL NUMBER 917.255470

CHASSIS AND ENCLOSURES

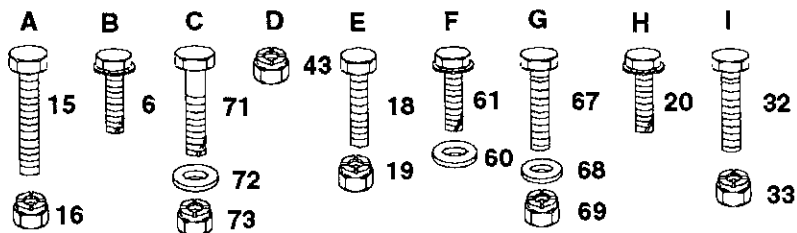
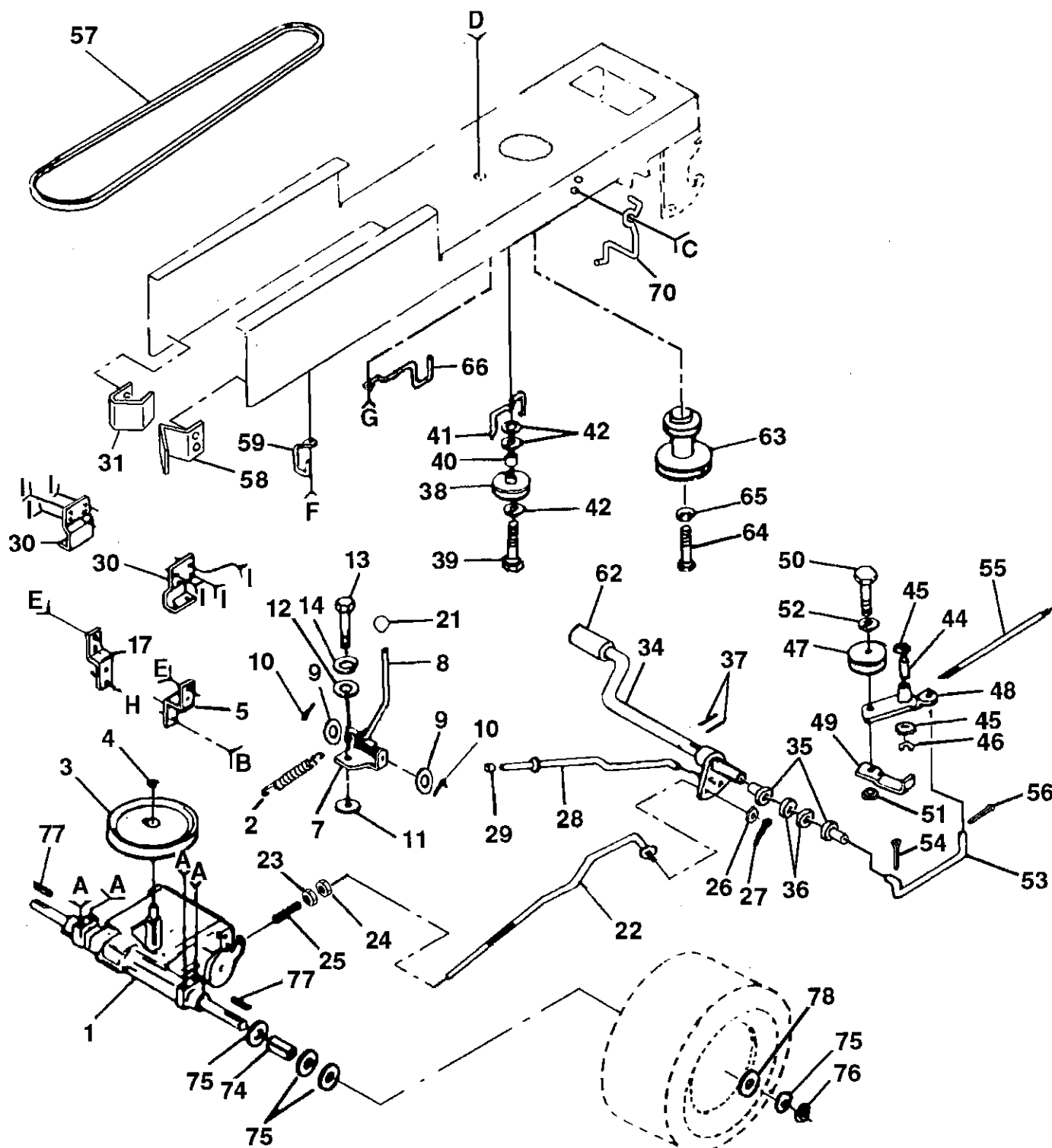
KEY NO.	PART NO.	DESCRIPTION
1	135034	Chassis Weldment 12ga 38/42
2	137275	Drawbar Stretch
3	17490612	Screw Thdrol 3/8-16x3/4 Ty-tt
4	STD523707	Bolt Fin Hex 3/8-16 x 3/4
5	STD541437	Nut Crownlock 3/8-16
6	124464X016	Saddle Silkscreen 5sp Sym S/S NONS
7	17490608	Screw Thdrol 3/8-16x1/2 Ty-tt
8	2751R	Clip Line Fuel 13/32 Mtg Hole
9	137411X016	Dash Silkscreened Sears Eng
10	5479J	Plug Button Blk 359 Dia
11	122795X	Panel Pnt Dash Lh
12	121794X	Cover Access Black Square
13	124031X012	Panel Silkscr Dash Rh Weldment
14	17490608	Screw Thdrol 3/8-16x1/2 Ty-tt
15	74180512	Screw Mach Trhd 5/16-18uncx3/4
16	STD541431	Nut Keps 5/16-18 Unc
17	131445X417	Hood Asm Pnt Weld Silver Powde
18	126938X	Bumper Hood
19	STD512505	Bolt Fin Hex 1/4-20unc X 1/2
20	STD551125	Washer Lock Hvy Helical 1/4
21	122933X	Rivet Ratchet Nylon
22	124479X	Washer Nylon Blk 28x 75x 19
24	STD523707	Bolt Fin Hex 3/8-16unc X 3/4
25	19131312	Washer 13/32 X 13/16 X 12 Ga
26	STD541437	Nut Crownlock 3/8-16 Unc
27	17490608	Screw Thdrol 3/8-16x1/2 Ty-tt
28	123915X	Grille Grey
29	124029X	Lens Headlight Bar Clear
30	109872X417	Fender Pnt
31	136619	Bracket Pnt Fender
32	17490612	Screw Thdrol 3/8-16x3/4 Ty-tt
33	105465X417	Footrest Pnt Lh Perf (silver)
34	105464X417	Footrest Pnt Rh Perf (silver)
35	STD533707	Bolt Rdhd Sht Sqnk 3/8-16 X3/4
36	STD541437	Nut Crownlock 3/8-16 Unc
37	105466X	Pad Footrest Rbr Sq Craftsman
38	134618	Bracket, Asm. Pivot, L.H., Mower Rear
39	134617	Bracket, Asm. Pivot, R.H., Mower Rear
40	STD533710	Bolt, Carriage 3/8-16 x 1
50	STD541437	Locknut Hex W/Washer 3/8-16
51	STD551025	Washer 13/32 x 3/4 x 16 Ga.
53	STD533710	Bolt Carriage 3/8-16 x 1
54	STD523708	Bolt Hex 3/8-16 x 7/8
58	11050600	Washer, Lock Ext. Tooth 3/8

NOTE: All component dimensions given in U.S. inches
1 inch = 25.4 mm

REPAIR PARTS

14 HP 38" TRACTOR - - MODEL NUMBER 917.255470

DRIVE



REPAIR PARTS

14 HP 38" TRACTOR - - MODEL NUMBER 917.255470

DRIVE

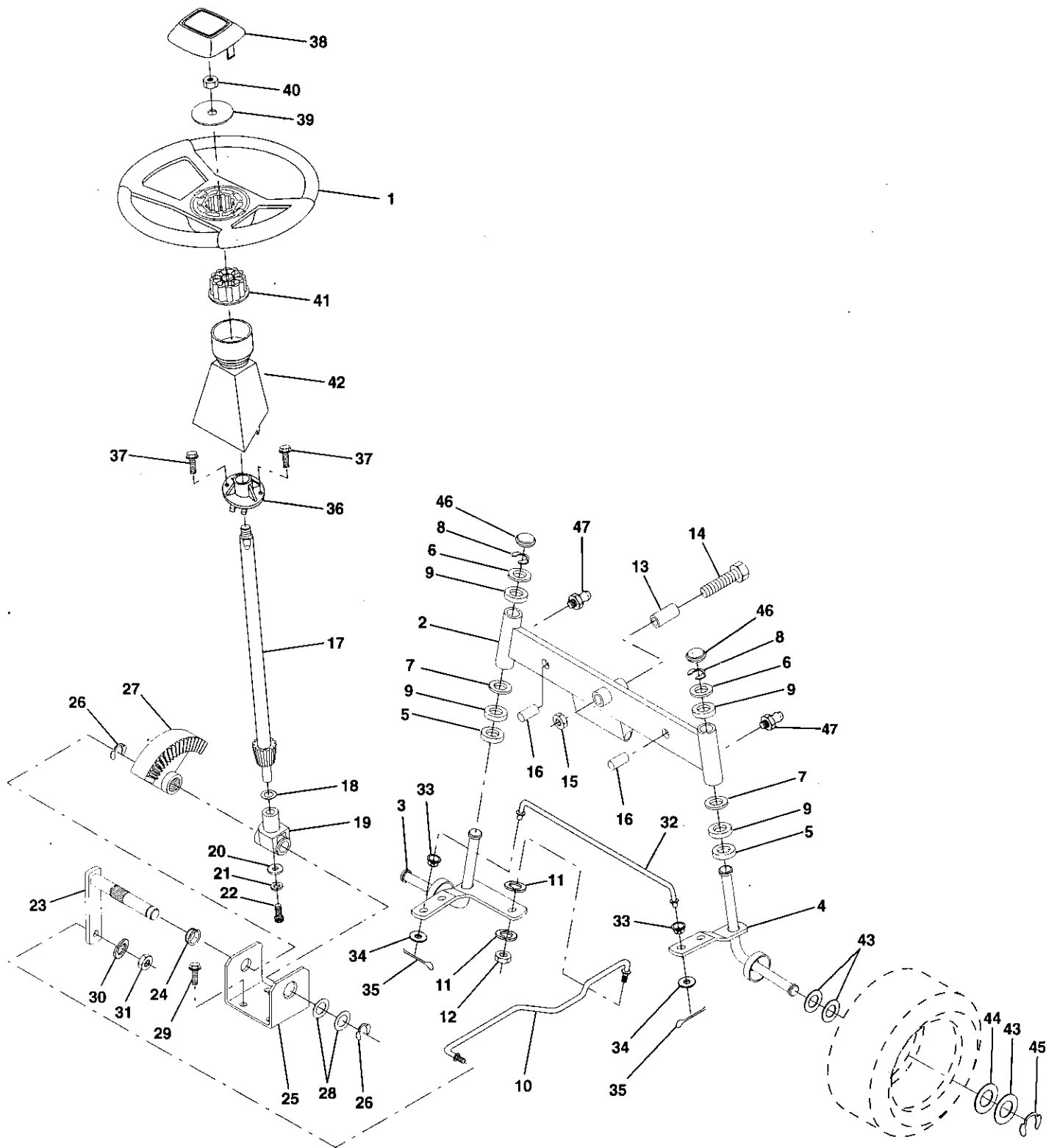
KEY NO.	PART NO.	DESCRIPTION	KEY NO.	PART NO.	DESCRIPTION
1	137362	Transaxle 5sp Std Dana, Model No. 4360-47	41	109070X	Keeper Belt Retainer
2	110422X	Spring Return Brake T/a Zinc	42	19131312	Washer 13/32 X 13/16 X 12 Ga
3	123666X	Pulley Transaxle Alum	43	STD541437	Nut Crownlock 3/8-16 Unc
4	12000028	Ring Retainer # 5100-62	44	105706X	Bearing Nyl 503 X 628 X 1 25
5	121520X	Strap Pnt Torque 30 Deg Blk	45	110812X	Washer Hardened
6	17490512	Screw Thdrol 5/16-18 X 3/4 Tyt	46	12000039	Ring Klip #t5304-50
7	106919X	Plate Pnt Rod Shift T/a (blk)	47	127783	Pulley Idler V Groove Plastic
8	124461X	Rod Shifter Blk (dana)	48	123789X	Bellcrank Asm
9	19151216	Washer 15/32 X 3/4 X 16ga	49	123205X	Retainer Belt Style Spring
10	STD561210	Pin Cotter 1/8 X 1 Cad	50	STD523715	Bolt Hex Hd 3/8-16unc X 1-1/2
11	105701X	Washer Plate Shf 388 Sq Hole	51	STD541437	Nut Crownlock 3/8-16 Unc
12	19091210	Washer 9/32 X 3/4 X 10 Ga	52	STD551037	Washer 13/32 X 13/16 X 16 Ga
13	71040412	Bolt Fin Hex 1/4-28unfx3/4 Gr8	53	105710X	Link Clutch 7 66
14	STD551125	Washer Lock Hvy Helical 1/4	54	STD561210	Pin Cotter 1/8 X 3/4 Cad
15	STD523727	Bolt Fin Hex 3/8-16unc X 2-3/4	55	105709X	Spring Return Clutch 6 75
16	STD541437	Nut Crownlock 3/8-16 Unc	56	STD561210	Pin Cotter 1/8 X 3/4 Cad
17	121520X	Strap Pnt Torque 30 Deg Blk	57	125907X	V-belt Ground Drive 90 00
18	STD523707	Bolt Fin Hex 3/8-16unc X 3/4	58	127274X	Keeper Belt Rh Lt Pnt/zinc 16g
19	STD541437	Nut Crownlock 3/8-16 Unc	59	136715	Retainer Belt Chassis Lh Zinc
20	17490512	Screw Thdrol 5/16-18 X 3/4 Tyt	60	19131312	Washer 13/32 X 13/16 X 12 Ga
21	106933X	Knob Rd 1/2-13 Plstc Thds Blk	61	17490612	Screw Thdrol 3/8-16x3/4 Ty-tt
22	131867	Rod Brake Lt	62	8883R	Cover Pedal Blk Std
23	STD541437	Nut Lock Hex W/wsh 3/8-16unc	63	134825	Pulley Engine
24	STD541237	Nut Hex Jam 3/8-16 Unc	64	71170764	Bolt Finhex 7/16-20 x 4 g5
25	106888X	Spring Rod Brake 2 00 Zinc	65	STD551143	Washer Lock Hvy Hlcl Spr 7/16
26	STD551037	Washer 13/32 X 13/16 X 16 Ga	66	129921	Keeper Belt Engine Lh Lt
27	STD561210	Pin Cotter 1/8 X 3/4 Cad	67	STD523710	Bolt Fin Hex 3/8-16unc X 1
28	128904	Rod Brake Parking Lt	68	19131312	Washer 13/32 X 13/16 X 12 Ga
29	124236X	Cap Parking Brake Red	69	STD541437	Nut Crownlock 3/8-16 Unc
30	109167X	Bracket Transmission	70	134683	Guide Belt Dr Mower Rh
31	127275X	Keeper Belt Lh Lt 14 Ga	71	STD523710	Bolt Fin Hex 3/8-16unc X 1
32	STD523710	Bolt Fin Hex 3/8-16unc X 1	72	19132012	Washer 13/32 X 1-1/4 X 12 Ga
33	STD541437	Nut Crownlock 3/8-16 Unc	73	STD541437	Nut Crownlock 3/8-16 Unc
34	122424X	Shaft Asm Pedal Foot 1 930	74	109502X	Spacer Split .80x1.94
35	120183X	Bearing Nylon Blk 629 Id	75	121749X	Washer 25/32 X 1 1/4 X 16 Ga
36	STD551062	Washer 21/32 X 1 X 16 Ga	76	STD581075	Ring E #5133-75
37	STD571810	Pin Roll 3/16 X 1"	77	123583X	Key Square 2 0 X 1845/ 1865
38	123674X	Pulley Idler Flat	78	121748X	Washer 25/32 X 1 5/8 X 16ga
39	STD523727	Bolt Fin Hex 3/8-16unc X 2-3/4			
40	4470J	Spacer Split 395 X 59 Bzp			

NOTE: All component dimensions given in U.S. inches
1 inch = 25.4 mm

REPAIR PARTS

14 HP 38" TRACTOR -- MODEL NUMBER 917.255470

STEERING ASSEMBLY



REPAIR PARTS

14 HP 38" TRACTOR - - MODEL NUMBER 917.255470

STEERING ASSEMBLY

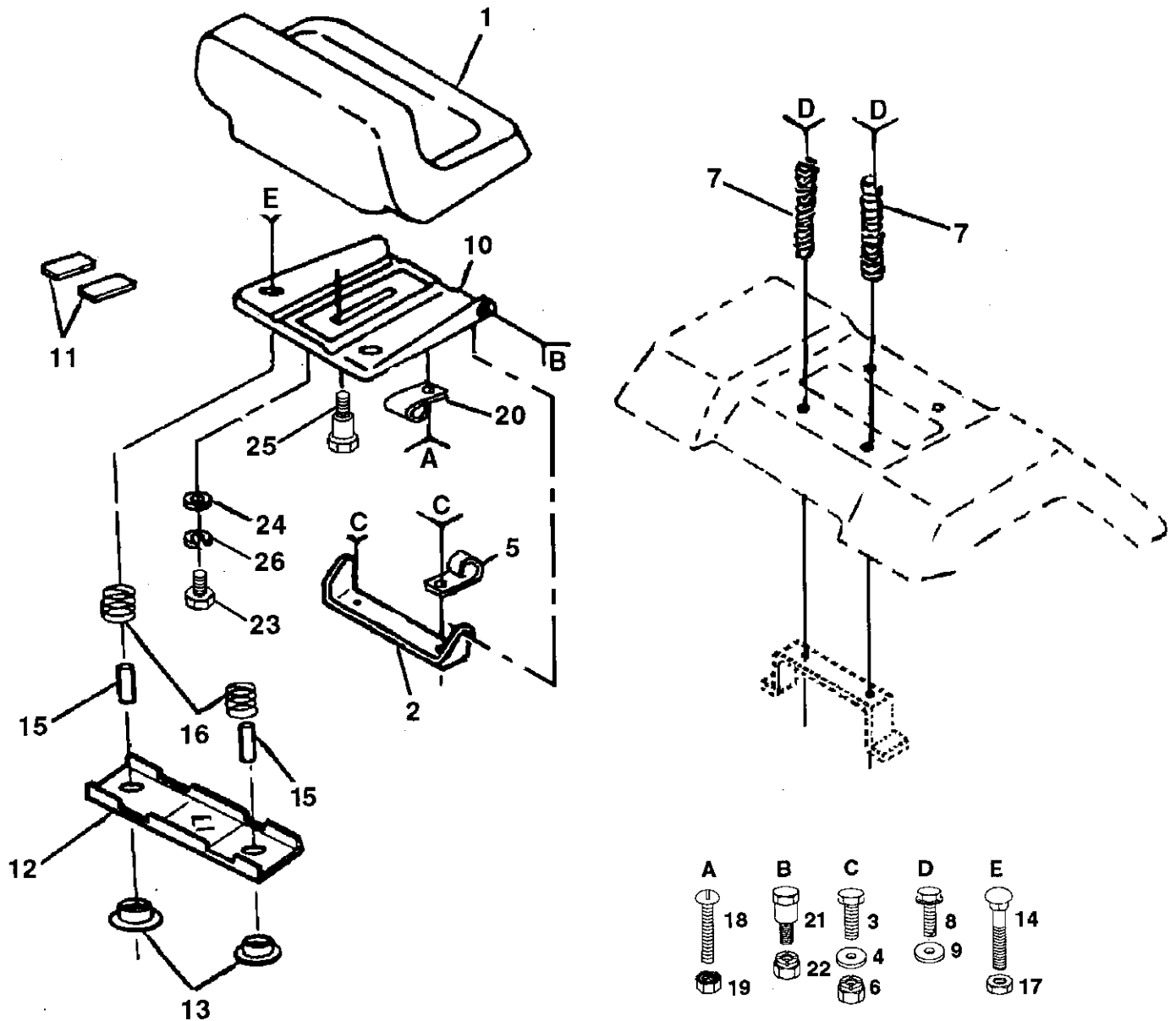
KEY NO.	PART NO.	DESCRIPTION
1	133741	Wheel Steering Std Black
2	133988	Axle Asm Front
3	135227	Spindle Asm Lh
4	135228	Spindle Asm Rh
5	6266H	Bearing Race Thrust Harden
6	121748X	Washer 25/32 X 1 5/8 X 16ga
7	19272016	Washer 27/32 X 1 1/4 X 16 Ga
8	12000029	Ring Klip #t5304-75
9	3366R	Bearing Col Strg Blk
10	130468	Link Drag Sol Ball Jt 20 064
11	STD551137	Washer Lock Hvy Hlcl Spr 3/8
12	73610600	Nut Fin Hex 3/8-24 Unf
13	110438X	Spacer Bearing Axle Front
14	74011056	Bolt Hex 5/8-11 Unc X 3-1/2
15	73901000	Locknut Flange 5/8-11 Unc
16	132624	Pin Axle 5/8 X 1 55/1 54 Lg
17	132614	Shaft Asm Strg 5/8 X 15 19 Lt
18	57079	Washer Thrust 515x 750x 033
19	124035X	Support Shaft
20	126684X	Washer Shim 1/4 X 5/8 X 062
21	STD551125	Washer Lock Hvy Helical 1/4
22	71070410	Screw Hex Socket 1/4-20 X 5/8
23	127501	Shaft Asm Pittman
24	109816X	Nyliner Snap In
25	124036X	Bracket Steering
26	12000029	Ring Klip #t5304-75
27	136874	Gear Sector
28	6266H	Bearing Race Thrust Harden
29	17490612	Screw Thdrol 3/8-16x3/4 Ty-tt
30	STD551137	Washer Lock Hvy Hlcl Spr 3/8
31	73610600	Nut Fin Hex 3/8-24 Unf
32	130465	Rod Tie Wire Form 19 75 Mech
33	126847X	Bushing Rod Tie Blk Lt
34	19131416	Washer 13/32 X 7/8 X 16ga
35	STD561210	Pin Cotter 1/8 X 3/4 Cad
36	132196	Bushing Strg 5/8 Id Dash
37	STD611005	Screw Slftp #10-16 X 1/2 Ty-b
38	133742	Insert Cap Strg Wheel Std Blk
39	19133808	Washer 13/32 X 2-3/8 X 8 Ga
40	STD541537	Nut Lock Center 3/8-24unf
41	104820X	Adaptor Wheel Strg 640/ 635id
42	124417X	Boot Shaft Steering
43	121749X	Washer 25/32 X 1 1/4 X 16 Ga
44	121748X	Washer 25/32 X 1 5/8 X 16ga
45	12000029	Ring Klip #t5304-75
46	121232X	Cap Spindle Fr Top Blk
47	6855M	Fitting Grease

NOTE: All component dimensions given in U.S. inches
1 inch = 25.4 mm

REPAIR PARTS

14 HP 38" TRACTOR - - MODEL NUMBER 917.255470

SEAT ASSEMBLY



KEY NO.	PART NO.	DESCRIPTION
1	127437	Seat V350 Blk/red Craftsman
2	126656X	Bracket Pnt Pivot Seat (blk)
3	STD523707	Bolt Fin Hex 3/8-16unc X 3/4
4	19131610	Washer 13/32 X 3/4 X 10 Ga
5	2751R	Clip Line Fuel 13/32 Mtg Hole
6	STD541437	Nut Crownlock 3/8-16 Unc
7	124181X	Spring Seat Cprsn 2 250 Blk Zi
8	17490616	Screw Thdrol 3/8-16 X 1 Ty-tt
9	19131614	Washer 13/32 X 1 X 14 Ga
10	131451	Pan Pnt Seat (blk)
11	121251X	Strip Foam Gray Or Black
12	121246X	Bracket Pnt Mounting Switch
13	121248X	Bushing Snap Blk Nyl 50 Id
14	72050411	Bolt Rdhd Sht Nk 1/4-20x1-3/8
15	134300	Spacer Split 28 X 96 Zinc

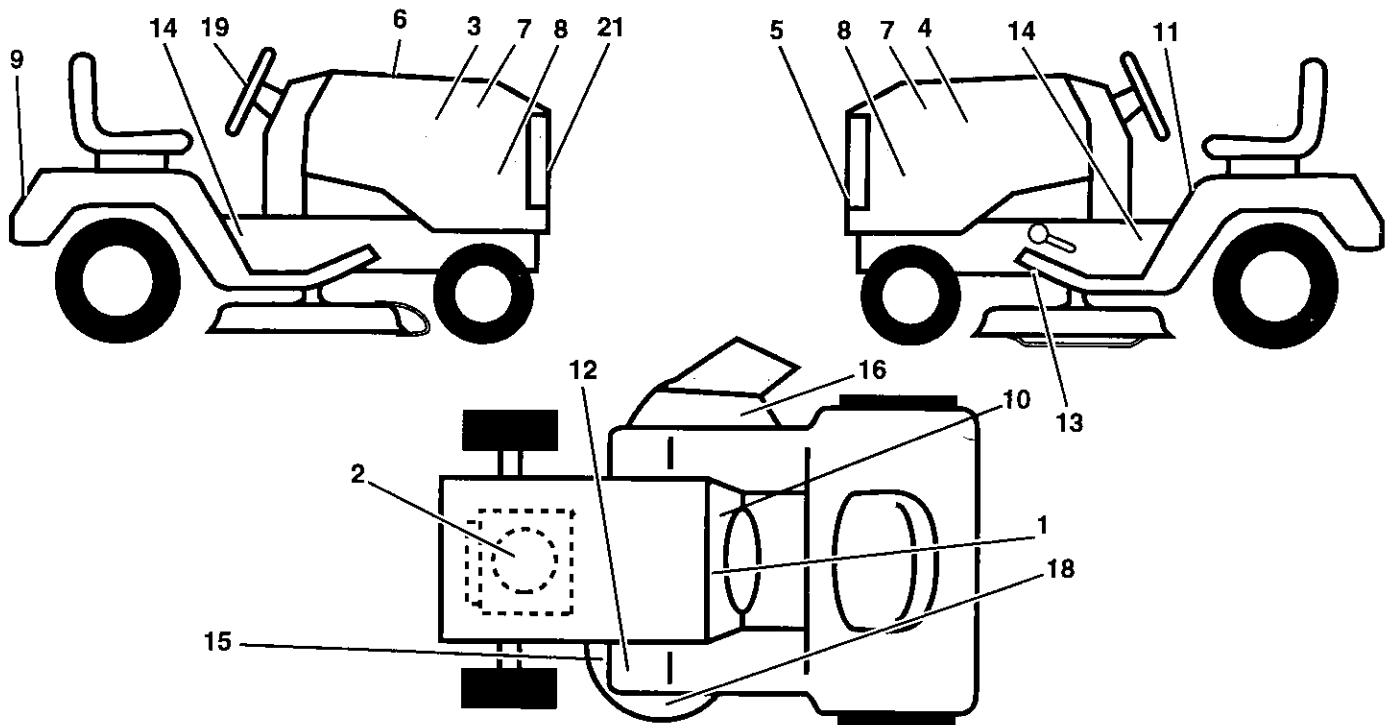
KEY NO.	PART NO.	DESCRIPTION
16	121250X	Spring Cprsn 1 27 Blk Pnt
17	123976X	Nut Lock 1/4 Lge Flg Gr 5 Zinc
18	STD511005	Screw Sltd Pan Hd #10-32 X 1/2
19	73951000	Nut Keps #10-32 Unf
20	4171R	Clip Insulated 11/32 Mtg Hole
21	105529X	Bolt Shoulder 5/16-18 Unc Blkz
22	STD541431	Nut Crown Lock 5/16-18
23	74780814	Bolt Fin Hex 1/2-13 X 7/8 Gr 5
24	19171912	Washer 17/32 X 1-3/16 X 12 Ga
25	127018X	Bolt Shoulder 5/16-18 X 62
26	STD551150	Washer Lock Hvy Hlcl Spr 1/2

NOTE: All component dimensions given in U.S. inches.
1 inch = 25.4 mm

REPAIR PARTS

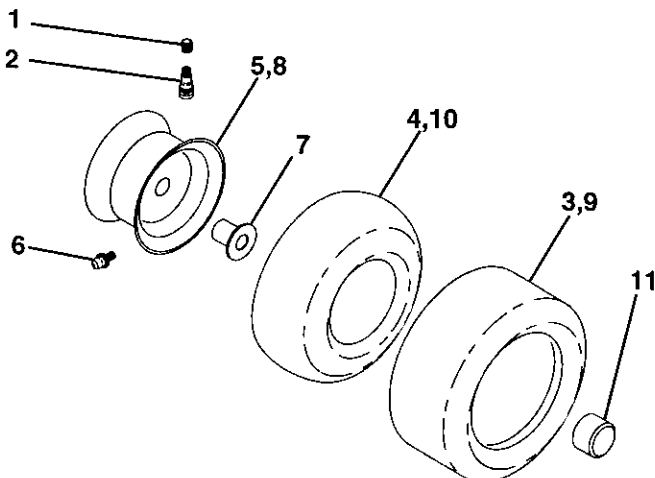
14 HP 38" TRACTOR -- MODEL NUMBER 917.255470

DECALS



KEY NO.	PART NO.	DESCRIPTION	KEY NO.	PART NO.	DESCRIPTION
1	136794	Decal Instruction Operat Eng	12	4900J	Decal Clutch/brake English
2	138655	Decal B&S 14 HP IC/O HV Craftsman	13	109199X	Decal V-belt Dr Sch Tractor E
3	124489X	Decal Hood Slope Rh Craftsman	14	105809X	Decal Chassis 5 Sp 38"
4	124490X	Decal Hood Slope Lh Craftsman	15	136831	Decal Mower Drive Schematic 38
5	132674	Decal Grille Lt4000 Craft Usa	16	133178	Decal Mower 3 in One Conv.
6	133644	Decal Maint Customer Sears Dom	18	133179	Decal Mower Qc System
7	139056	Decal Panel Side l/c Gold/blk	19	132267	Decal Insr Wh Strg Crafts Usa
8	108631X	Decal li(die Cut)	21	131265	Decal Lightbox
9	125880X	Decal Fender Craftsman Red	--	138311	Decal Lift Handle
10	138836	Decal Dash Slope Lt	--	139148	Manual, Owner's (English)
11	137537	Decal Caution English/Spanish	--	139149	Manual, Owner's (Spanish)

WHEELS & TIRES



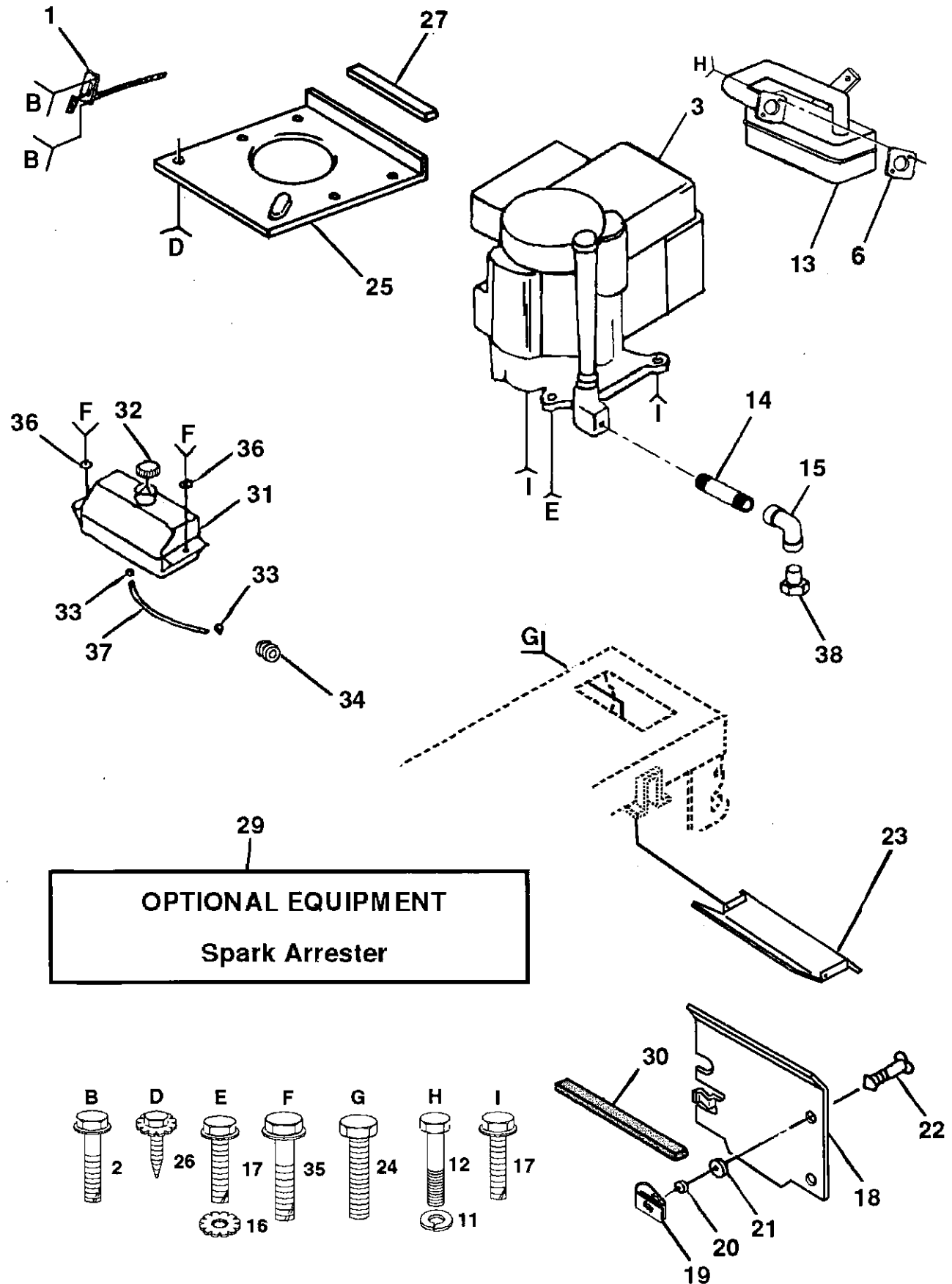
KEY NO.	PART NO.	DESCRIPTION
1	59192	Cap Value Tire
2	65139	Stem Value
3	106222X	Tire F Ts 15 X 6 0 - 6 Service
4	59904	Tube Inner Front #35060
5	106732X361	Rim Asm 6"front Silver Service
6	278H	Fitting Grease
7	9040H	Bearing Flange
8	106108X361	Rim Asm 8"rear Silver Service
9	106268X	Tire R Ts 18x9 5-8 Service
10	7152J	Tube Rear 9 5 X 8 Service
11	104757X	Cap Axle Blk 1 50 X 1 00

NOTE: All component dimensions given in U.S. inches.
1 inch = 25.4 mm

REPAIR PARTS

14 HP 38" TRACTOR - - MODEL NUMBER 917.255470

ENGINE



REPAIR PARTS

14 HP 38" TRACTOR - - MODEL NUMBER 917.255470

ENGINE

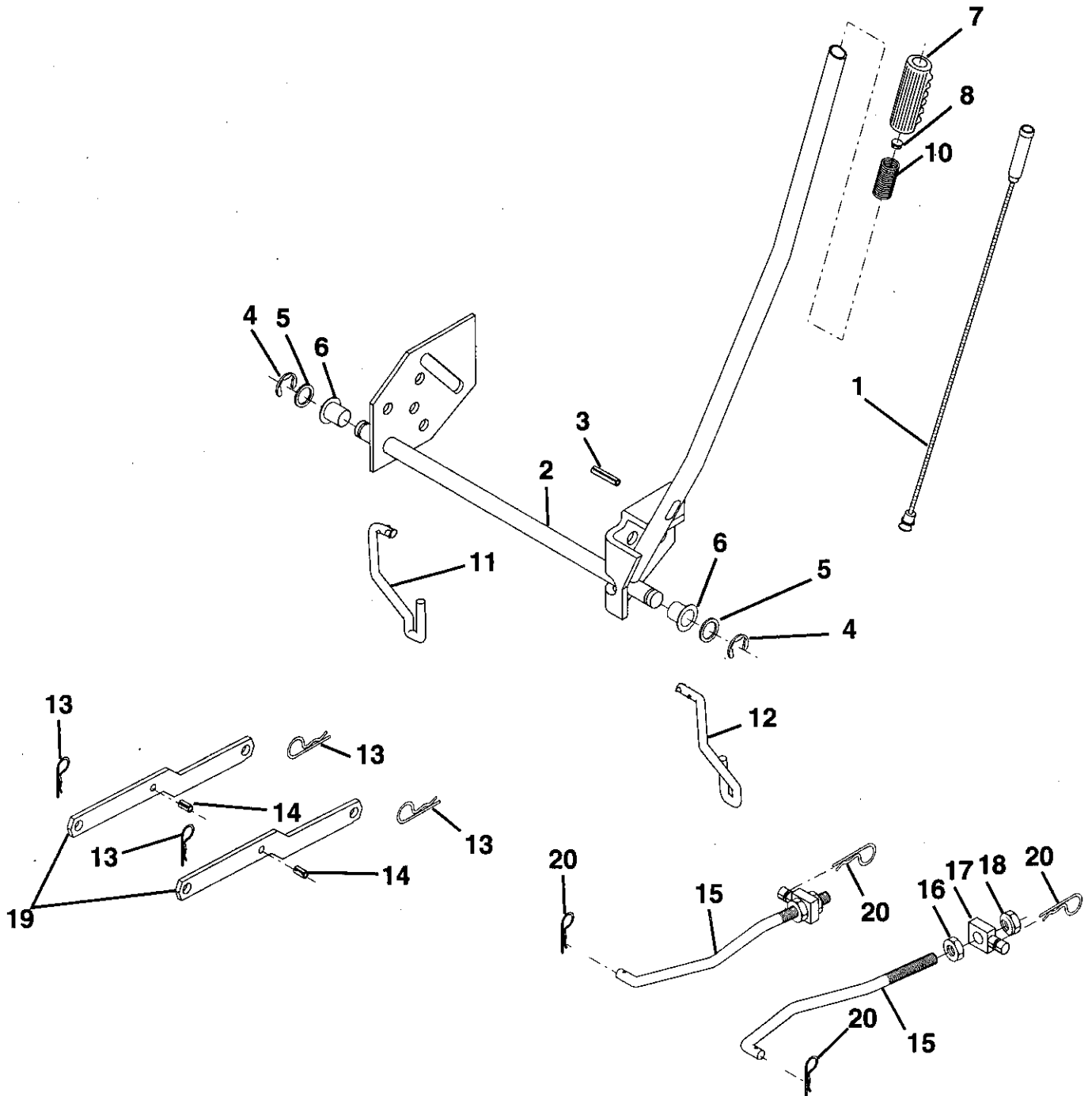
KEY NO.	PART NO.	DESCRIPTION
1	132759	Control Throt Rh Blk Pdl 15 10
2	17720410	Screw Hex Thd Cut 1/4-20x5/8 T
3	137268	Engine B&s 14hp ICQ Dual 1 Vt, Model No. 287707, Type No. 0115-01
6	125593X	Gasket 1 313 Id Tin Plated
11	STD551131	Washer Lock Hvy Hlcl Spr 5/16
12	71070512	Screw Hexhd Cap 5/16-18x3/4
13	137352	Muffler Exhaust B&s Lt
14	13280324	Nipple Pipe 3/8 Npt X 3"
15	13200300	Elbow Std 90 Degree 3/8-18 Npt
16	STD551237	Washer Lock Ext Tooth 3/8
17	17490620	Screw Thdrol 3/8-16x1-1/4 Tytt
18	136718	Shield Pnt Heat
19	105839X	Receptacle 1/4 Turn Dacrotized
20	105838X	Retainer 1/4 Turn 365odx 222id
21	STD551025	Washer 9/32 X 5/8 X 16 Ga
22	123650X	Stud 1/4 Turn (replaces 105751
23	128953	Shield Pnt Heat Browning Grass
24	STD601005	Screw Tap Hex #10-24unc X 1/2
25	124027X	Shield Pnt Heat Hood Lt
26	17030808	Screw Spiderloc Hexhd#8x1/2 Ab
27	105037X	Strip Foam 18"
29	137180	Arrestor Spark
30	127057X	Strap Hood
31	109202X	Tank Fuel 1 25 Fr
32	123549X	Cap Asm Fuel W/sym Vented
33	123487X	Clamp Hose Blk
34	124028X	Bushing Snap Nyl Blk Fuel Line
35	17490412	Screw Hexwsh Thdrol 1/4-20x3/4
36	19091416	Washer 9/32 X 7/8 X 16ga
37	101335K	Line Fuel 9 50"
38	---	Plug Oil Drain (Order From Engine Manufacturer)

NOTE: All component dimensions given in U.S. inches
1 inch = 25.4 mm

REPAIR PARTS

14 HP 38" TRACTOR - - MODEL NUMBER 917.255470

LIFT



REPAIR PARTS

14 HP 38" TRACTOR - - MODEL NUMBER 917.255470

LIFT

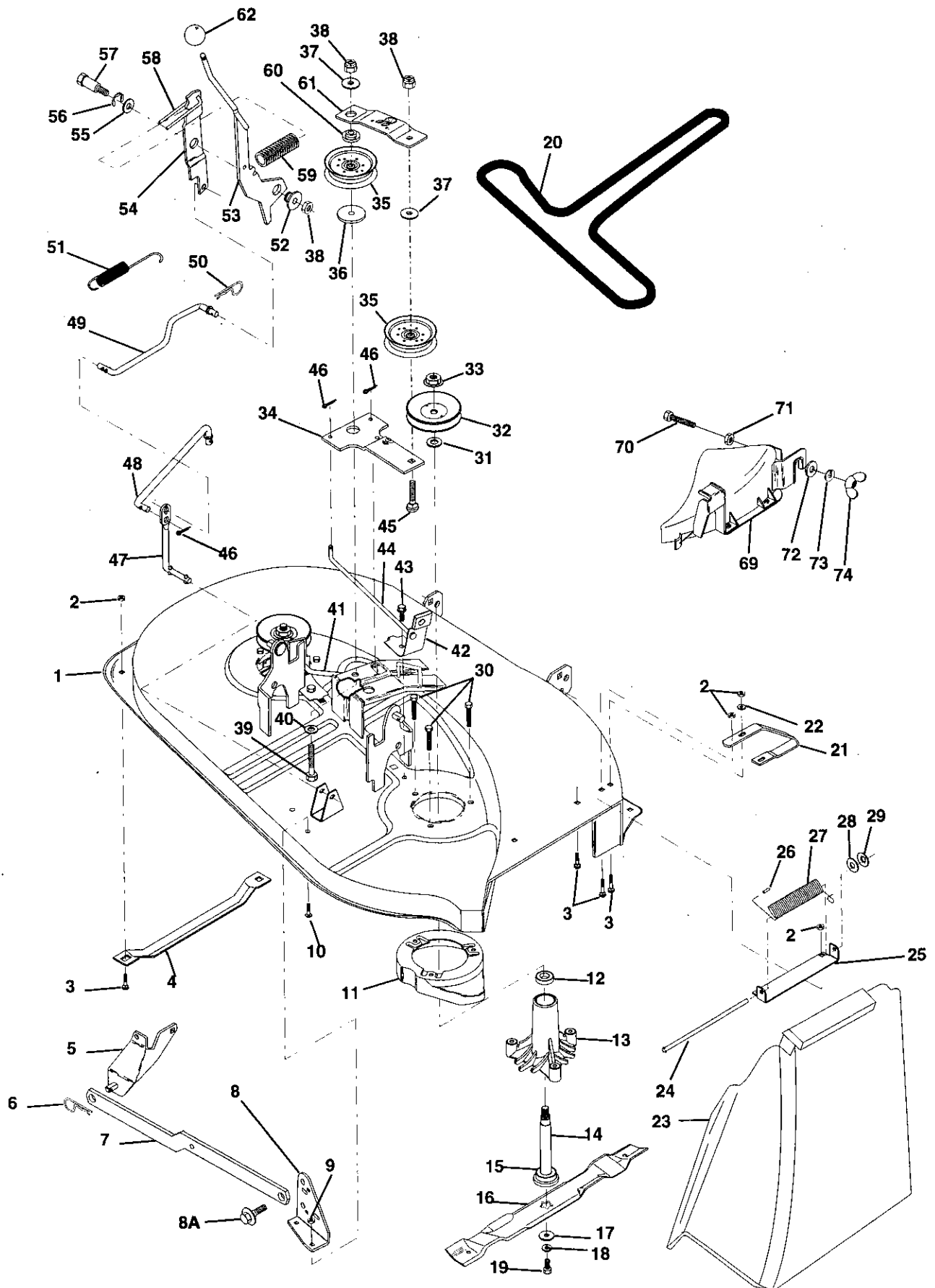
KEY NO.	PART NO.	DESCRIPTION
1	136973	Rod Asm. Lever
2	122507X	Shaft Asm. Lift
3	105767X	Pin Groove
4	12000002	E Ring #5133-62
5	19211621	Washer 21/32 x 1 x 21 Ga.
6	120183X	Bearing Nylon
7	125631X	Grip Handle Fluted
8	122365X	Button Plunger Read
10	122512X	Spring Cprsn
11	134619	Link Lift Lh Fixed Length
12	135388	Link Lift Rh Fixed Length
13	4939M	Retainer Spring
14	135563	Pin Roll Slit 5/16 x 1.25
15	127218	Link Front
16	73350800	Nut Jam Hex 1/2-13 Unc
17	130171	Trunnion Blk Zinc
18	73800800	Nut Lock W/Wsh 1/2-13 Unc
19	130832	Arm Suspension Rear
20	3146R	Retainer Spring

NOTE: All component dimensions given in U.S. inches
1 inch = 25.4 mm

REPAIR PARTS

14 HP 38" TRACTOR - - MODEL NUMBER 917.255470

38" MOWER



REPAIR PARTS

14 HP 38" TRACTOR - - MODEL NUMBER 917.255470

38" MOWER

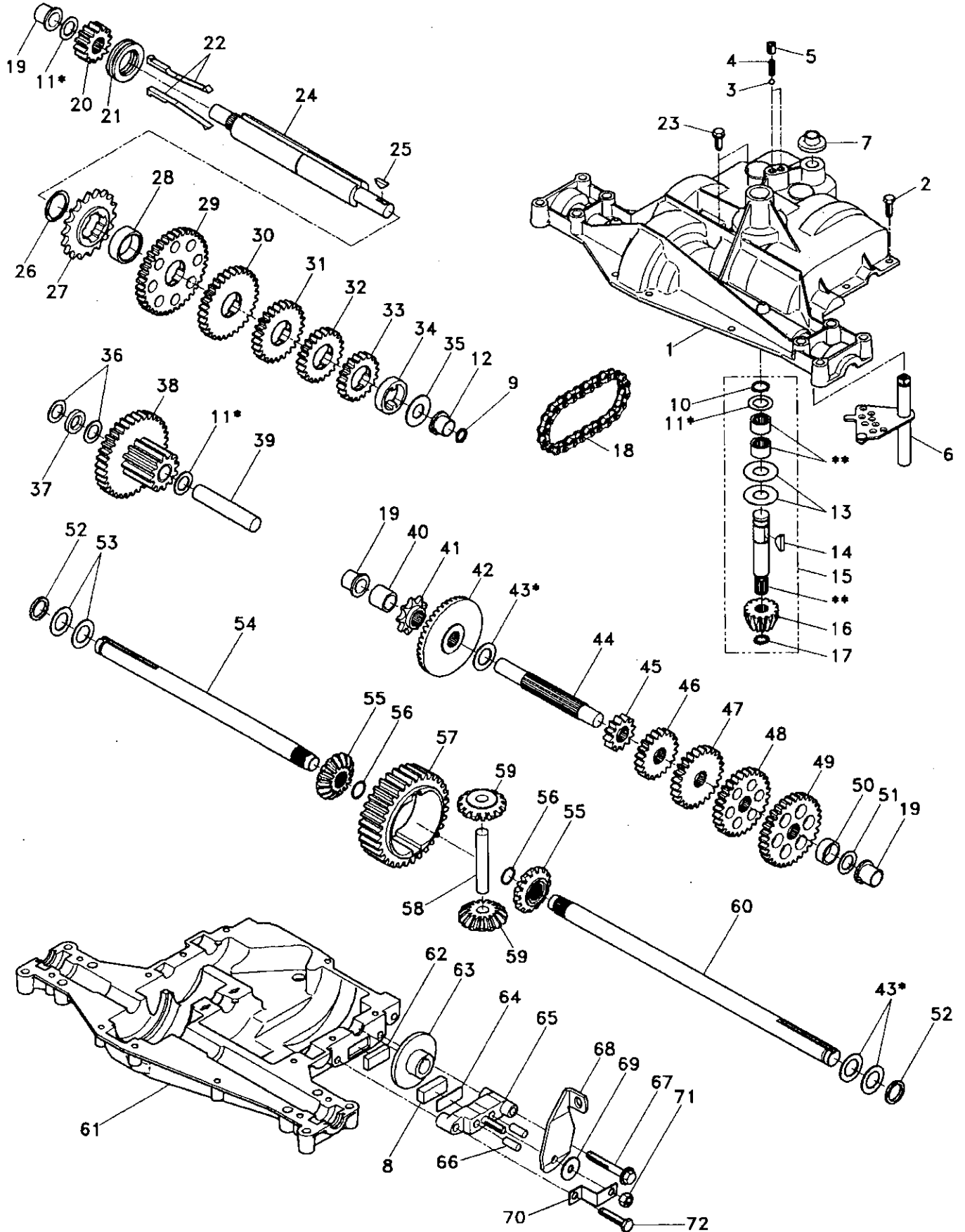
KEY NO.	PART NO.	DESCRIPTION	KEY NO.	PART NO.	DESCRIPTION
1	138026	Mower Housing	39	74600636	Bolt Hex 3/8-16 X 2-1/4
2	STD541431	Nut	40	19131612	Washer Harden
3	STD533107	Bolt	41	131289	Rod Brake Mandrel Lh 4 856
4	7631J	Runner Mower Lh 10 00	42	130840	Brake Asm Mower Vented
5	138017	Bracket Asm Fr Sway Bar	43	17490512	Screw Thdrol 5/16-18 X 3/4 Tyt
6	STD624008	Ret Spring	44	131288	Rod Brake Mandrel Rh 10 744
7	130832	Arm Asm Suspension	45	STD533717	Bolt
8	138440	Bracket Asm Deck Sway Bar	46	STD560907	Cotter Pin
8A	132827	Bolt Shoulder Thd Form 5/16-18	47	133551	Rod Pivot W/nibs
9	73800500	Locknut Hex W/lns 5/16-18 Unc	48	133504	Rod Clutch Secondary W/nibs
10	72140506	Bolt RdHd Sqnk 5/16-18 x 3/4	49	134666	Rod Clutch Primary W/nibs
11	136929	Stripper Mower Vented	50	STD624003	Retainer
12	110485X	Bearing Ball Mandrel	51	131870	Spring Return
13	128774	Housing Mandrel Vented(machd)	52	127498	Bushing 747 Od X 794 Lg Brass
14	137645	Shaft Asm Mandrel Vented (Includes Key # 7)	53	133573	Arm Asm Pnt Clutch Primary
15	129895	Bearing Ball #6204 (mandrel)	54	127847	Arm Clutch Secondary
16	134148	Blade Mower Mulching 38	55	121748X	Washer 25/32 X 1 5/8 X 16ga
17	129962	Washer Hard Blade Mower Vented	56	12000029	Ring Klip #15304-75
18	STD551137	Lockwasher	57	128903	Bolt Shoulder 3/8-16 Unc 1 44
19	850857	Bolt 3/8-24x1 25 Gr8 Patched	58	127845	Keeper Spring 4 000
20	131290	V-belt Mower 88 12 38"	59	128759	Spring Clutch Mower 2 750 Zinc
21	128772	Runner Rh 38"	60	133502	Spacer Arm Idler Upper Hdn 42"
22	19111216	Washer 11/32 X 3/4 X 16ga	61	133503	Stiffener Arm Idler Upper 42"
23	106736X	Shield Defector 38"	62	106932X	Knob Rd 3/8-16 Plstc Thds Blk
24	106735X	Rod Hinge Brt/blk Zinc 9 88 Lg	69	132803	Cover Asm Mulcher
25	137607	Bracket Deflector Mower	70	74930620	Bolt 3/8-16 x 1-1/4 Mulcher
26	105304X	Cap Sleeve 80x 112 Blk Mower	71	73750600	Nut, Lock 3/8-16 Mulcher
27	123713X	Spring Deflector	72	19132016	Washer 13/32 x 1-1/4 x 16 Ga.
28	19111016	Washer 11/32 X 5/8 X 16 Ga	73	10040600	Washer Lock Hvy Hlcl Spr. 3/8
29	110452X	Nut Push Phos & Oil	74	135651	Nut Wing
30	78158	Bolt 5/16-18 X 1 25 T/t	—	138360	Deck Complete Mower (Std Deck - Order separately mulcher blade and mulcher cover components Key Nos. 16 and 61-74).
31	129963	Washer Spacer Mower Vented	—	130794	Mandrel Asm (Includes Key #'s 12-14, 17-19, 31 and 33)
32	129206	Pulley Mandrel 38" Single			
33	137266	Nut 9/16top Lock Fling			
34	133840	Asm Idler Arm			
35	131494	Pulley Idler Flat			
36	122052X	Spacer Retainer Pm Mower			
37	19131612	Washer 13/32 X 1 X 12 Ga			
38	STD541437	Nut			

NOTE: All component dimensions given in U.S. inches.
1 inch = 25.4 mm.

REPAIR PARTS

14 HP 38" TRACTOR - MODEL NUMBER 917.255470

DANA TRANSAXLE - MODEL NUMBER 4360-47



REPAIR PARTS

14 HP 38" TRACTOR - MODEL NUMBER 917.255470

DANA TRANSAXLE - MODEL NUMBER 4360-47

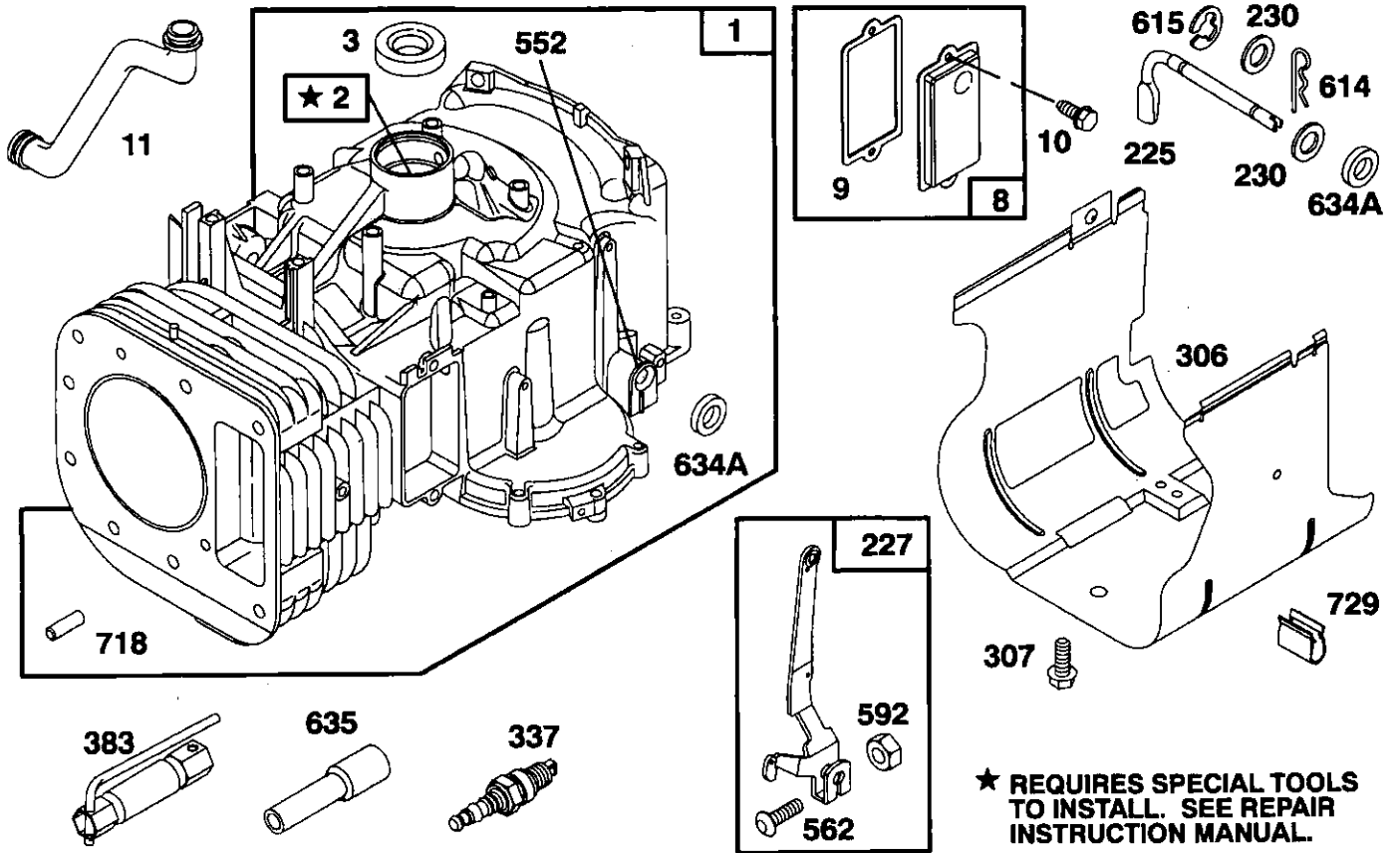
KEY PART NO. NO.	DESCRIPTION	KEY PART NO. NO.	DESCRIPTION
1 138248	Housing, Upper	39 124639X	Shaft, Idler
2 2274J	Screw, Self-Tapping, Large 1/4-20 x .734	40 120472X	Spacer .635 x .875 x .755
3 134400	Ball, Detent	41 105928X	Sprocket 9 Teeth
4 105904X	Spring, Detent	42 110084X	Gear, Bevel, 42 Teeth
5 105905X	Screw, Set	43 134394	* Assembly, Kit, Shim, .750 Shaft
6 138235	Kit, Shifter Assembly	44 120473X	Shaft, Drive
7 134399	Boot, Shifter	45 105933X	Gear, Spur, 12 Teeth
8 73810500	Locknut 5/16-24	46 120407X	Gear, Spur, 20 Teeth
9 138241	Square Ring	47 106589X	Gear, Spur, 25 Teeth
10 2267J	Ring, Retaining	48 105937X	Gear, Spur, 31 Teeth
11 134793	* Assembly, Kit, Shim .625 Shaft	49 120523X	Spacer .781 x 1.00 x .750
12 138240	Bearing, Flange	50 120951X	Puck, Friction
13 120415X	Washer, Plain .632 x 1.38 x .046	51 2226J	Washer, Plain .632 x 1.00 x .060
14 2257J	Key, Woodruff, #9	52 134401	Washer, Neoprene
15 138234	Assembly, Kit, Input Shaft	53 2264J	Washer, Plain .758 x 1.25 x .031
16 110078X	Pinion, Bevel, 14 Teeth	54 120474X	Axle, L.H.
17 105909X	Ring, Retaining	55 110081X	Gear, Miter, 15 Teeth
18 105910X	Chain, 24 Pitches	56 105941X	Ring, Retaining
19 105911X	Bearing, Flange	57 110071X	Gear, Spur, 32 Teeth
20 138242	Gear, Spur, 14 Teeth	58 120952X	Shaft, Cross
21 138246	Collar, Clutch	59 110082X	Gear, Miter, 15 Teeth
22 138236	Assembly, Kit, Clutch Keys	60 120475X	Axle, R.H.
23 134791	Screw, Self-Tapping, with Sealer	61 138247	Housing, Lower
24 138243	Shaft, Intermediate	62 120961X	Puck, Friction
25 2244J	Key, Woodruff, #61	63 7294J	Disc, Brake
26 105916X	Ring, Retaining	64 108989X	Spacer
27 120470X	Sprocket, 18 Teeth	65 120953X	Jaw, Brake
28 110070X	Spacer	66 120954X	Pin, Dowel
29 108977X	Gear, Spur, 37 Teeth	67 134799	Screw, Self-Tapping 5/16-18 x 2.25
30 120405X	Gear, Spur, 30 Teeth	68 138244	Lever, Actuating
31 108980X	Gear, Spur, 25 Teeth	69 108996X	Washer, Plain .321 x 1.00 x .055
32 134796	Gear, Spur, 19 Teeth	70 120956X	Bracket, Anti-Rotation
33 138239	Spacer 1.133 x 1.50 x .750	71 120416X	Grease
34 106596X	Screw, Self-Tapping 5/16-18 x 1.40		
35 105925X	Washer, Plain .640 x 1.37 x .061		
36 2232J	Washer, Plain .632 x 1.00 x .026		
37 108978X	Spacer .630 x 1.00 x .169		
38 110079X	Assembly, Gear, Combination of 12 Teeth and 35 Teeth		
		* Use in combinations to maintain proper clearances	
		** Order Key Number 15	

NOTE: All component dimensions given in U.S. inches
1 inch = 25.4 mm

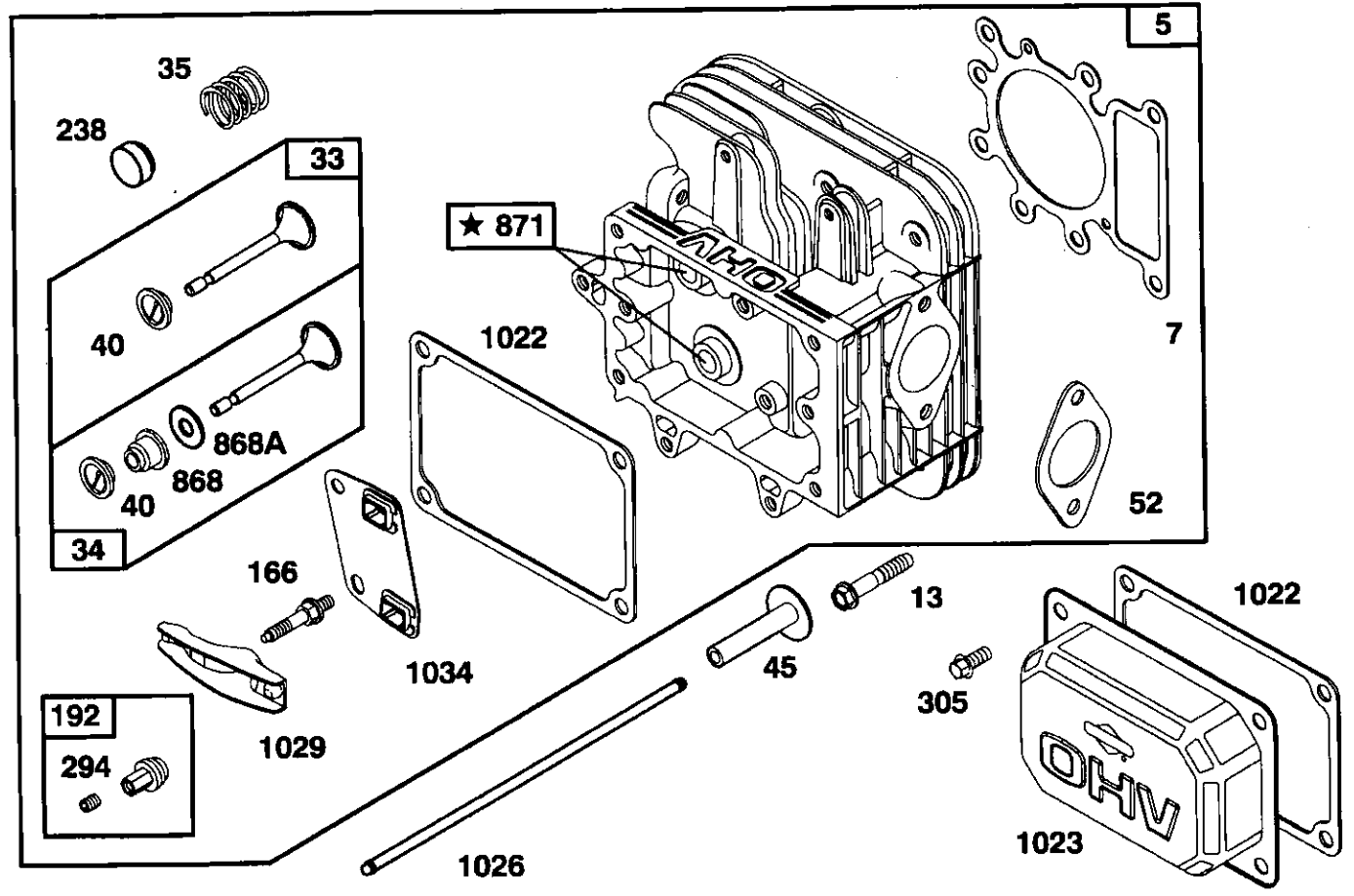
REPAIR PARTS

14 HP 38" TRACTOR -- MODEL NUMBER 917.255470

BRIGGS & STRATTON ENGINE - MODEL NUMBER 287707, TYPE NUMBER 0115-01



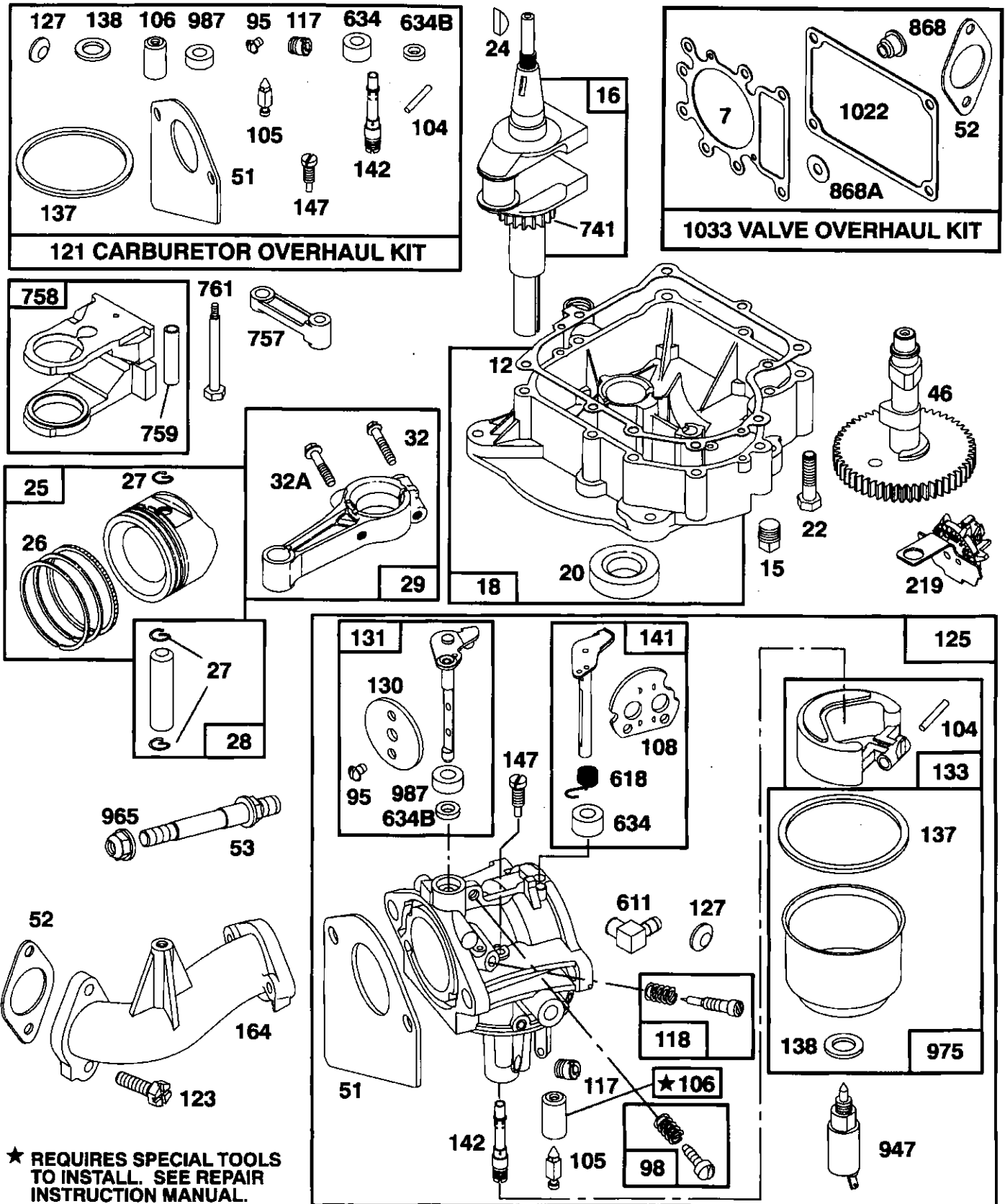
★ REQUIRES SPECIAL TOOLS TO INSTALL. SEE REPAIR INSTRUCTION MANUAL.



REPAIR PARTS

14 HP 38" TRACTOR -- MODEL NUMBER 917.255470

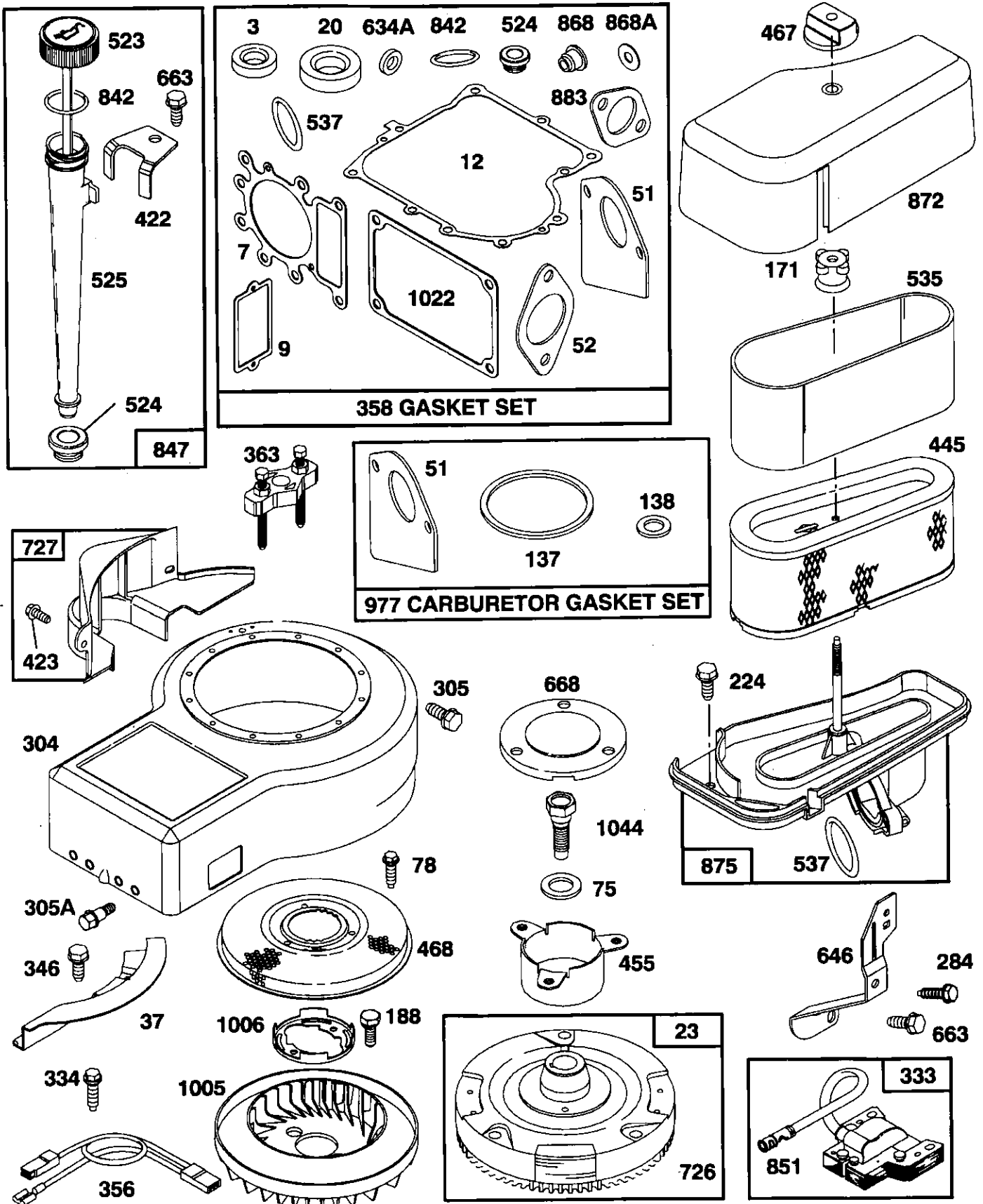
BRIGGS & STRATTON ENGINE - MODEL NUMBER 287707, TYPE NUMBER 0115-01



REPAIR PARTS

14 HP 38" TRACTOR - - MODEL NUMBER 917.255470

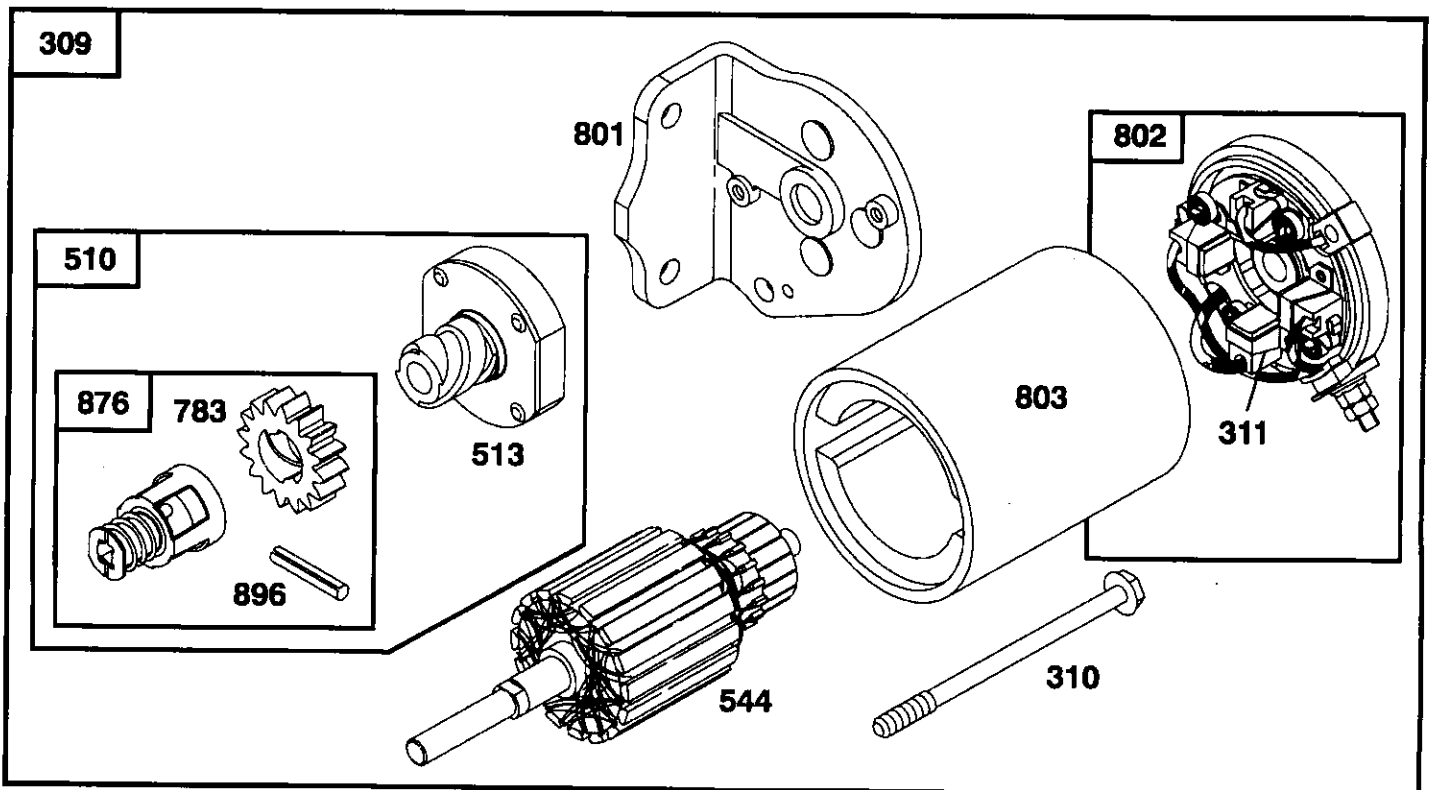
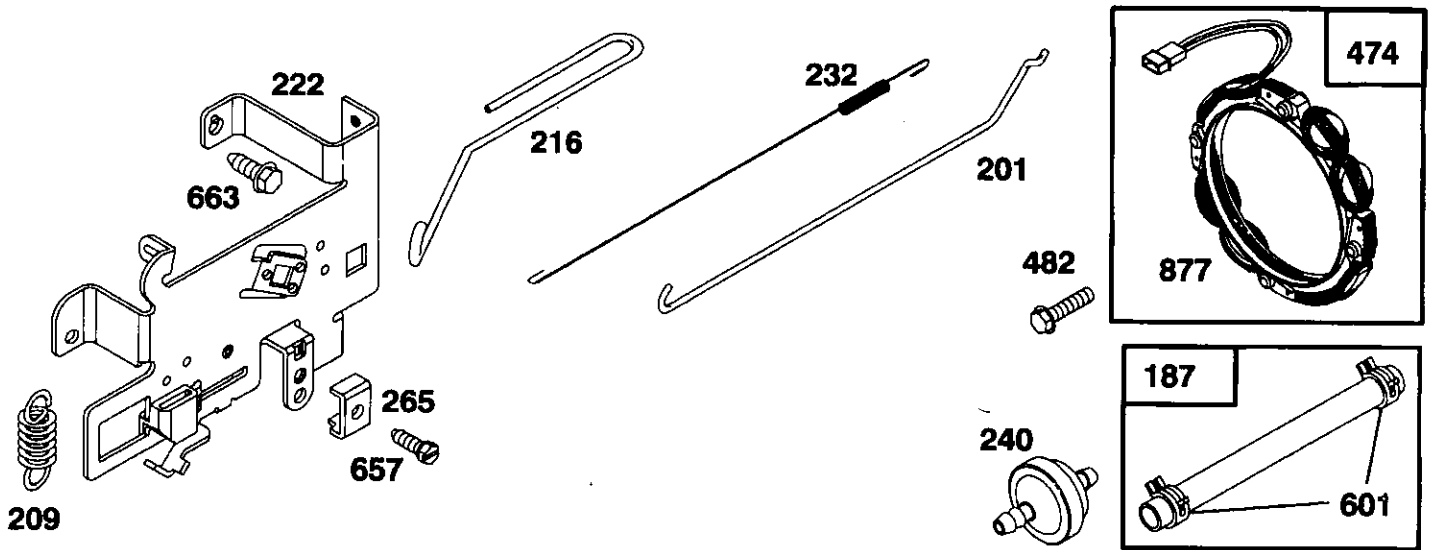
BRIGGS & STRATTON ENGINE - MODEL NUMBER 287707, TYPE NUMBER 0115-01



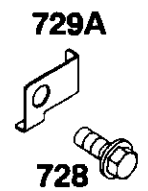
REPAIR PARTS

14 HP 38" TRACTOR - - MODEL NUMBER 917.255470

BRIGGS & STRATTON ENGINE - MODEL NUMBER 287707, TYPE NUMBER 0115-01



Reference Number		309	310	311	510	544	801	802	803
		Motor & Drive Assembly	Thru Bolt Assembly	Brush Assembly	Starter Drive Group	Armature Assembly	Drive End Cap Assembly	End Cap Assembly Commutator	Housing Assembly
Briggs & Stratton	Housing Length								
12V	3-21/32"	**394805	94003	395538	495878 *	390837	394856	395537 ***	398159



* Includes #398003 Clutch Assembly (Ref. No. 513) #280104 Gear (Ref. No. 783) #495877 Retainer and Pin (Ref. No. 876) #94288 Roll Pin (Ref. No. 896) ** Uses #94627 Screw-Hex. Head (Ref. No. 728) #224723 Retainer-Wire (Ref. No. 729A) ***Includes Brush Set

REPAIR PARTS

14 HP 38" TRACTOR - - MODEL NUMBER 917.255470

BRIGGS & STRATTON ENGINE - MODEL NUMBER 287707, TYPE NUMBER 0115-01

KEY PART NO.	NO.	DESCRIPTION	KEY PART NO.	NO.	DESCRIPTION
1	495867	Cylinder Assembly	51	272465	Gasket, Carburetor (Carburetor to Elbow)
2	399265	Bearing, Cylinder	52	272569	Gasket, Carburetor (Elbow to Cylinder)
3	391086	Seal, Oil	53	94637	Stud, Carburetor Mounting
5	495858	Head, Cylinder	75	224061	Washer, Spring
7	272614	Gasket, Cylinder Head	78	94626	Screw, Sems
8	495735	Breather Assembly	95	94098	Screw, Throttle
9	27803	Gasket, Valve Cover	98	495800	Screw, Idle Speed
10	94621	Screw, Sems	104	231789	Pin, Float Hinge
11	281246	Tube, Breather	105	231855	Valve Float
12	271916	Gasket, Crankcase Cover, 1/64"	106	231854	Seat, Inlet Valve
	271997	Gasket, Crankcase Cover, .005"	108	224540	Valve, Choke
	271996	Gasket, Crankcase Cover, .009"	117	231858	Jet, Needle Valve
13	94728	Screw, Cylinder Head	118	495932	Valve, Needle
15	94239	Plug, Oil Drain	121	495799	Carburetor Overhaul Kit
16	495162	Crankshaft	123	94616	Screw, Elbow Mounting
	94196	Timing Gear Key	125	495935	Carburetor Assembly
18	494238	Base, Engine	127	- - -	Plug, Welch (Sold in Kit Only)
20	291675	Seal, Oil	130	224539	Valve, Throttle
22	94624	Screw, Sems, Base Mounting	131	494379	Shaft and Lever, Throttle
23	492326	Flywheel and Ring Gear Assembly, Magneto	133	494381	Float, Carburetor
24	222698	Key, Flywheel	137	281165	Gasket, Float Bowl
25	495860	Piston Assembly, Standard Size	138	281164	Washer, Bowl
	495977	Piston Assembly, .010" Oversize	141	495931	Shaft and Lever, Choke
	495978	Piston Assembly, .020" Oversize	142	231859	Nozzle, Carburetor
	495979	Piston Assembly, .030" Oversize	147	231794	Pilot, Jet
26	495854	Ring Set, Piston, Standard Size	164	214053	Elbow, Carburetor
	495852	Ring Set, Piston, .010" Oversize	166	94555	Stud, Rocker Arm
	495851	Ring Set, Piston, .020" Oversize	171	281051	Nut, Air Cleaner Mounting
	495855	Ring Set, Piston, .030" Oversize	187	393815	Line, Fuel (11" Long, Cut to Suit)
27	260924	Lock, Piston Pin	188	93535	Screw, Hex Head, 3/4
28	299691	Pin Assy., Piston, Standard Size	192	492160	Screw Assembly, Rocker Arm
	391286	Pin Assy., Piston, .005" Oversize	201	262767	Link, Governor
29	494504	Rod Assembly, Connecting	209	260695	Spring, Governor
	495490	Rod Assembly, Connecting, .020" Undersize Crankpin Bore	216	262766	Link, Choke
33	495856	Valve, Exhaust	219	490815	Gear, Governor
32	94695	Screw, Hex Washer Head, 1-57/64	222	495611	Plate, Governor Control
32A	94648	Screw, Hex Washer Head, 1-5/8	224	94729	Screw, Sems, Air Cleaner
34	495857	Valve, Intake	225	231058	Crank, Governor
35	262811	Spring, Valve	227	493935	Lever Assembly, Governor
37	224502	Guard, Flywheel	230	94742	Washer, Governor Crank
40	224641	Retainer, Valve Spring			
45	262411	Tappet, Valve			
46	494433	Gear, Cam			

NOTE: All component dimensions given in U.S. inches
1 inch = 25.4 mm

REPAIR PARTS

14 HP 38" TRACTOR - - MODEL NUMBER 917.255470

BRIGGS & STRATTON ENGINE - MODEL NUMBER 287707, TYPE NUMBER 0115-01

KEY PART NO.	NO.	DESCRIPTION	KEY PART NO.	NO.	DESCRIPTION
232	262785	Spring, Governor Link	635	280872	Elbow, Spark Plug
238	262836	Cap, Valve	646	224546	Brace, Air Cleaner
240	394358	Filter, Fuel (In Fuel Line)	657	93496	Screw, Sems
265	221535	Clamp, Casing	663	94620	Screw, Hex Head
284	94326	Screw, Hex Head	668	280848	Spacer
294	810068	Screw, Set	718	230192	Pin, Dowel
304	494268	Housing, Blower	726	392134	Gear, Ring
305	94513	Screw, Hex, Head,			(Includes Mounting Hardware)
		Blower Housing Mounting	727	490324	Cover, Starter
305A	94734	Screw, Hex Head,	729	262616	Clip, Wire
		Blower Housing Mounting	741	262932	Gear, Timing
306	224696	Shield, Cylinder	757	213998	Link, Counterweight
307	94623	Screw, Cylinder Shield	758	399891	Counterweight Assembly
333	495859	Armature, Magneto	759	298909	Pin, Counterweight
334	93381	Screw, Sems, Armature Mounting	761	94593	Screw, Counterweight
337	491055	Plug, Spark	842	270920	Seal, Oil Filler Cap
346	93705	Screw, Hex Head	847	490474	Fill Group, Oil
356	495719	Wire Assembly	851	224110	Terminal, Ignition Cable
358	495993	Gasket Set	868	494435	Seal Assembly, Valve
363	19203	Puller, Flywheel	868A	272610	Gasket, Valve
383	89838	Wrench, Spark Plug	871	262835	Bushing, Guide (Intake & Exhaust)
422	224390	Clamp, Oil Filler Tube	872	281104	Cover, Air Cleaner
423	94073	Screw, Sems	875	495862	Body, Air Cleaner
445	493909	Cartridge, Air Cleaner	877	393456	Diode and Connector Assembly
455	222561	Cup, Screen Mounting	947	495739	Solenoid
467	493903	Knob, Air Cleaner	965	94108	Nut, Hex
468	222562	Screen, Flush Rotating	975	495933	Bowl Assembly, Carburetor
474	393474	Stator, Alternator	977	494385	Carburetor Gasket Set
482	93621	Screw, Sems	987	281166	Seal, Throttle Shaft
523	495230	Cap and Dipstick, Oil Filler	1005	280687	Fan, Flywheel
524	68838	Seal, Filler Tube	1006	224413	Retainer, Fan
525	280741	Tube, Oil Filler	1022	272475	Gasket, Cover
535	272403	Element, Filter	1023	224552	Cover, Rocker Arm
537	281106	O-Ring, Air Cleaner	1026	494432	Rod, Push, Intake
552	231597	Bushing, Governor Crank		495136	Rod, Push, Exhaust
562	92613	Bolt, Governor Lever	1029	224554	Arm, Rocker
592	231082	Nut, Hex	1033	495992	Valve Overhaul Kit
601	93053	Clamp, Fuel Pipe	1034	495248	Guide Assembly, Push Rod
611	493496	Elbow, Fuel Pipe	1044	94673	Screw, Hex Head
614	93306	Pin, Cotter			
615	93307	Retainer, E-Ring			
618	262803	Spring, Choke Return			
634	281168	Seal, Choke Shaft			
634A	491323	Seal, Governor			
634B	281167	Washer, Throttle Shaft			

RPM Settings: Low Speed: 1550-1950
High Speed: 3200-3400

NOTE: All component dimensions given in U.S. inches
1 inch = 25.4 mm

SERVICE NOTES
