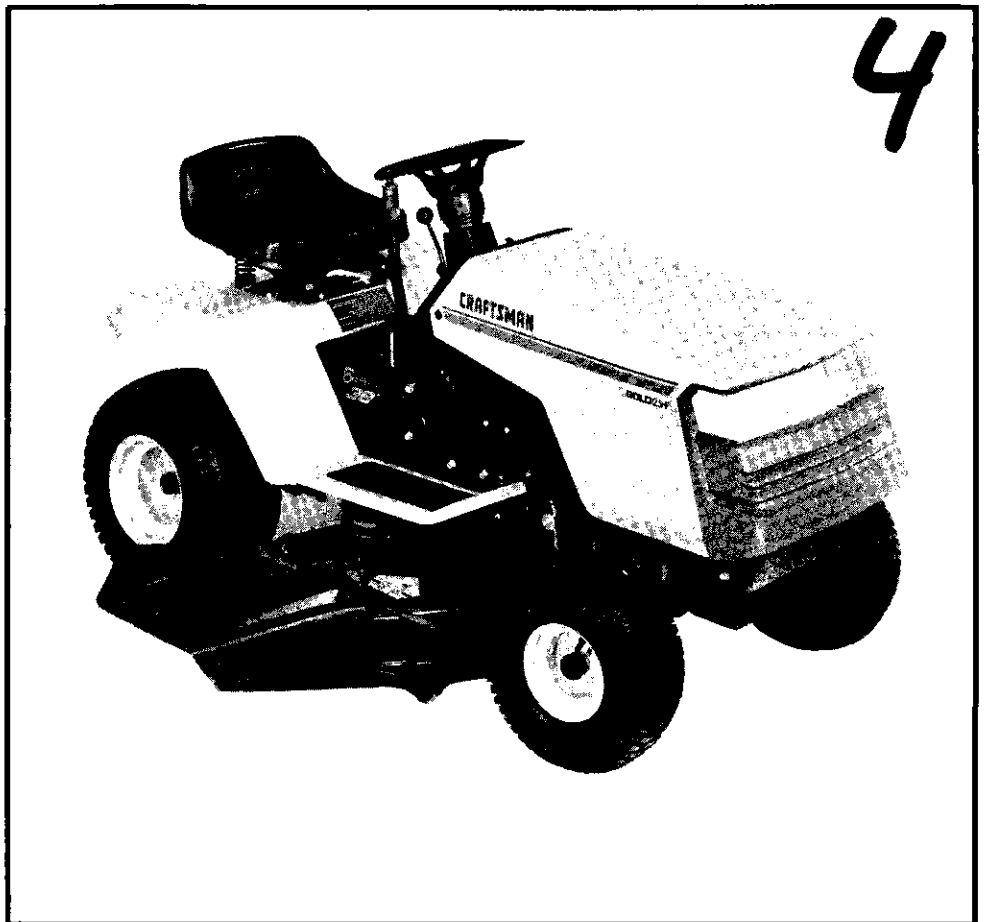


**SEARS**  
OWNER'S  
MANUAL

MODEL NO.  
917.255521

Caution:  
Read and follow  
all Safety Rules  
and Instructions  
Before Operating  
This Equipment



**CRAFTSMAN<sup>®</sup>**

**12.5 HP IC  
ELECTRIC START  
38" MOWER DECK  
6 SPEED TRANSAXLE  
LAWN TRACTOR**

- Assembly
- Operation
- Maintenance
- Service and Adjustment
- Repair Parts



**CAUTION: ALWAYS DISCONNECT SPARK PLUG WIRE AND PLACE WIRE WHERE IT CANNOT CONTACT SPARK PLUG TO PREVENT ACCIDENTAL STARTING WHEN SETTING-UP, TRANSPORTING, ADJUSTING OR MAKING REPAIRS.**



# SAFETY RULES

## IMPORTANT

**SAFETY STANDARDS REQUIRE OPERATOR PRESENCE CONTROLS TO MINIMIZE THE RISK OF INJURY. YOUR UNIT IS EQUIPPED WITH SUCH CONTROLS. DO NOT ATTEMPT TO DEFEAT THE FUNCTION OF THE OPERATOR PRESENCE CONTROLS UNDER ANY CIRCUMSTANCES.**

### TRAINING:

- Know the controls and how to stop quickly. Read this owner's manual and instructions furnished with attachments.
- Do not allow children to operate the machine. Do not allow adults to operate it without proper instruction.
- Do not carry passengers. Do not mow when children and others are around.
- Do not attempt to operate your vehicle or mower when not in the driver's seat.
- Always get on or off your vehicle from the operator's left hand side.
- The vehicle and attachments should be stopped and inspected for damage after striking a foreign object, and the damage should be repaired before restarting and operating the equipment.

### PREPARATION:

- Always wear substantial footwear. Do not wear loose fitting clothing that could get caught in moving parts.
- Clear the work area of objects (wire, rocks, etc.) which might be picked up and thrown.
- Disengage all attachment clutches before attempting to start the engine.
- Handle gasoline with care - it is highly flammable.
  - Use approved gasoline containers.
  - Never remove the fuel cap of the fuel tank or add gasoline to a running or hot engine or an engine that has not been allowed to cool for several minutes after running. Never fill tank indoors. Always clean up spilled gasoline.
  - Open doors if the engine is run in the garage - exhaust fumes are dangerous. Do not run the engine indoors.
- Do not operate the mower without the entire grass catcher, on mowers so equipped, or the deflector shield in place.

### OPERATION:

- Keep your eyes and mind on your vehicle, mower, and the area being cut. Do not let other interests distract you.
- Disengage power to attachments and stop the engine before leaving the operator's position.
- Disengage power to mower, stop the engine, and disconnect spark plug wire(s) from spark plug(s) before cleaning, making an adjustment, or repair. Be careful to avoid touching hot muffler or engine components.
- Disengage power to attachments when transporting or not in use.
- Take all possible precautions when leaving the vehicle unattended. Disengage the power take-off, lower the attachments, shift into neutral, set the parking brake, stop the engine, and remove the key.
- Do not stop or start suddenly when going uphill or downhill. Mow up and down the face of slopes (not greater than 15°), never across the face.
- Reduce speed on slopes and make turns gradually to prevent tipping or loss of control. Exercise extreme caution when changing direction on slopes.
- While going up or down slopes, place gearshift control lever in 1st gear position to negotiate the slope without stopping.

- Never mow in wet or slippery grass, when traction is unsure, or at a speed which could cause a skid.
- Stay alert for holes in the terrain and other hidden hazards. Keep away from drop-offs.
- Do not drive too close to creeks, ditches, and public highways.
- Exercise special care when mowing around fixed objects in order to prevent the blades from striking them. Never deliberately run vehicle or mower into or over any foreign objects.
- Never shift gears until vehicle comes to a stop.
- Never place hands or feet under the mower, in discharge chute, or near any moving parts while vehicle or mower is running. Always keep clear of discharge chute.
- Use care when pulling loads or using heavy equipment.
  - Use only approved drawbar hitch points.
  - Limit loads to those you can safely control.
  - Do not turn sharply. Use care when backing.
  - Use counterweight or wheel weights when suggested in owner's manual.
- Watch out for traffic when crossing or near roadways.
- When using any attachments, never direct discharge of material toward bystanders nor allow anyone near the vehicle while in operation.
- Except for adjustments, do not operate engine if air cleaner or cover directly over carburetor air intake is removed. Removal of such part could create a fire hazard.
- Do not change the engine governor settings or overspeed the engine; severe damage or injury may result.
- When using the vehicle with mower, proceed as follows:
  - Mow only in daylight or in good artificial light.
  - Shut the engine off when unclogging chute.
  - Check the blade mounting bolts for proper tightness at frequent intervals.
- Disengage power to mower before backing up. Do not mow in reverse unless absolutely necessary and then only after careful observation of the entire area behind the mower.

### MAINTENANCE AND STORAGE

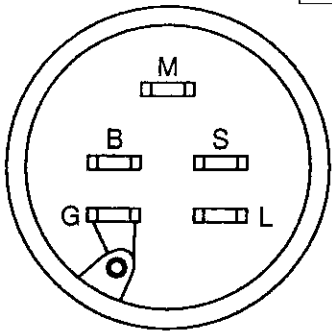
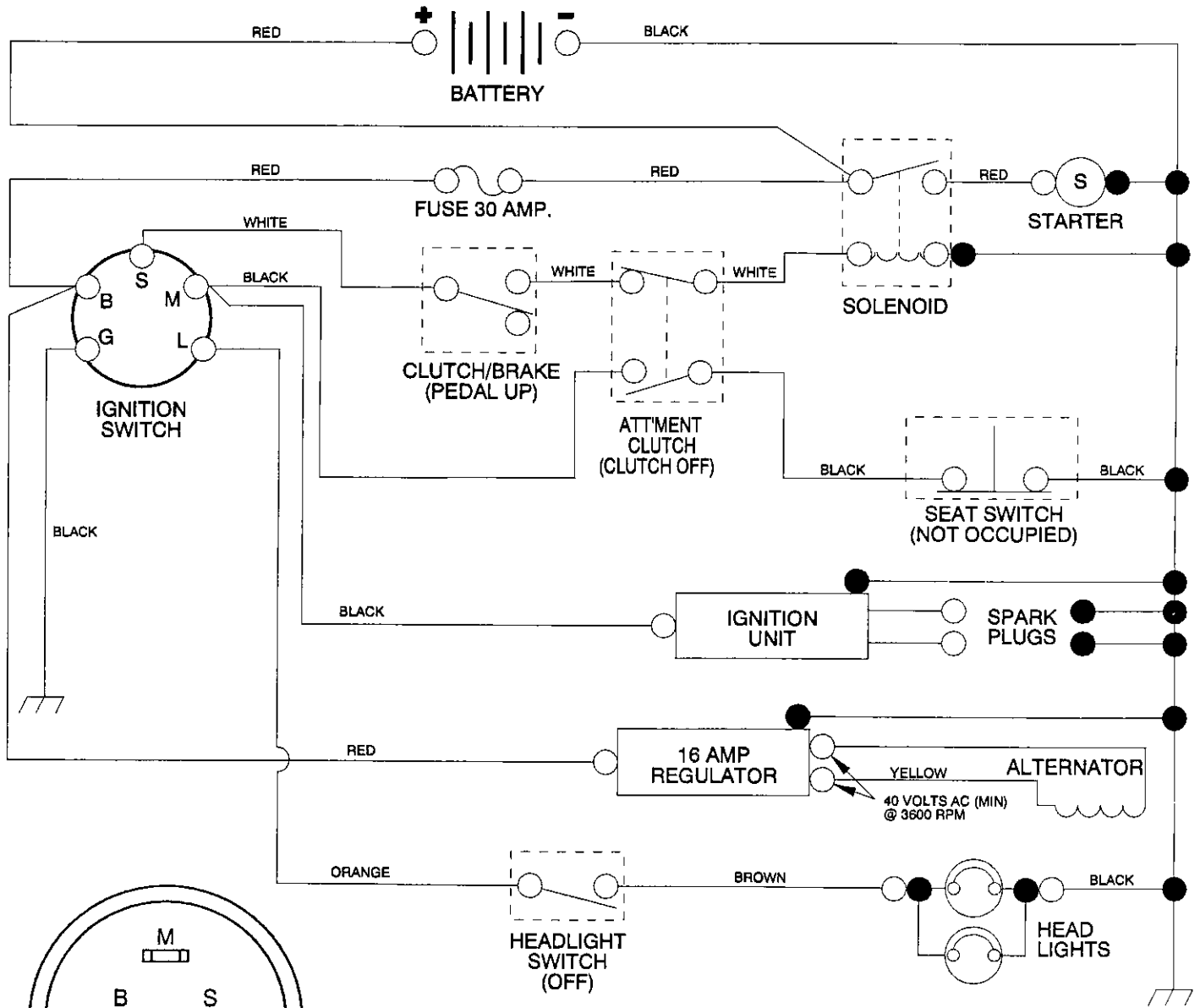
- Keep the vehicle and attachments in good operating condition, and keep safety devices in place and working.
- Keep all nuts, bolts, and screws tight to be sure the equipment is in safe working condition.
- Never store the equipment with gasoline in the tank inside a building where fumes may reach an open flame or spark. Allow the engine to cool before storing in any enclosure.
- To reduce fire hazard, keep the engine free of grass, leaves, or excessive grease. Do not clean product while engine is running.
- Do not operate without a muffler, or tamper with exhaust system. Damaged mufflers or spark arresters could create a fire hazard. Inspect periodically and replace if necessary.
- Under normal usage the grass catcher bag material is subject to deterioration and wear. It should be checked frequently for bag replacement. Replacement bags should be checked to ensure compliance with the original manufacturer's recommendations or specifications.



**LOOK FOR THIS SYMBOL TO POINT OUT IMPORTANT SAFETY PRECAUTIONS. IT MEANS - ATTENTION!!! BECOME ALERT!!! YOUR SAFETY IS INVOLVED.**

# 12.5 HP 38" RIDING LAWN TRACTOR - - MODEL NUMBER 917.255521

## SCHEMATIC



IGNITION SWITCH

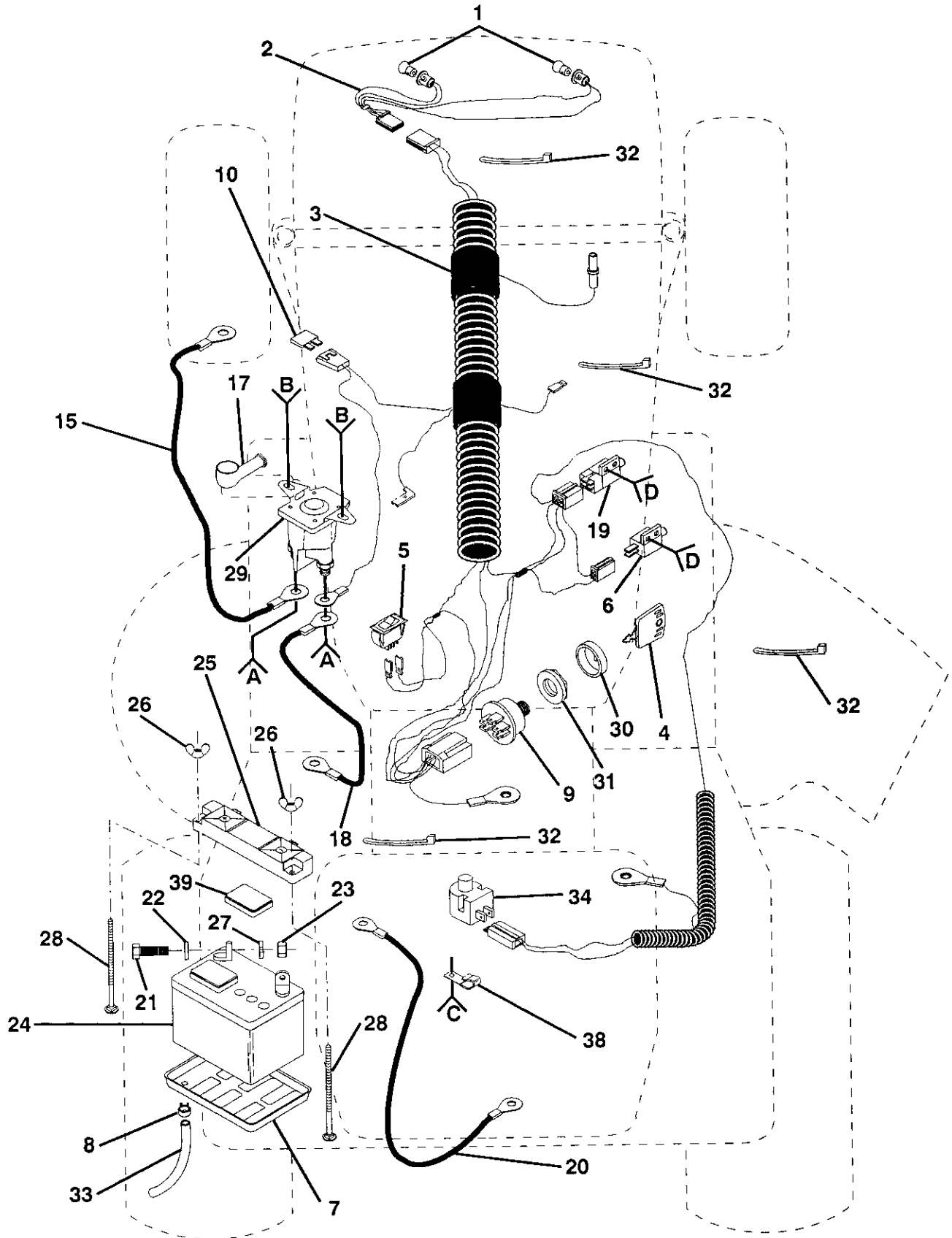
POSITION	CIRCUIT
OFF	M + G
ON	B + L
START	B + S

- NON-REMOVABLE CONNECTIONS
- REMOVABLE CONNECTIONS

WIRING INSULATED CLIPS  
 NOTE: IF WIRING INSULATED CLIPS WERE REMOVED FOR SERVICING OF UNIT, THEY SHOULD BE REPLACED TO PROPERLY SECURE YOUR WIRING

# REPAIR PARTS

12.5 HP 38" RIDING LAWN TRACTOR - - MODEL NUMBER 917.255521  
ELECTRICAL



# REPAIR PARTS

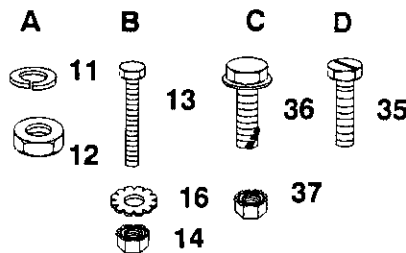
## 12.5 HP 38" RIDING LAWN TRACTOR - - MODEL NUMBER 917.255521

### ELECTRICAL

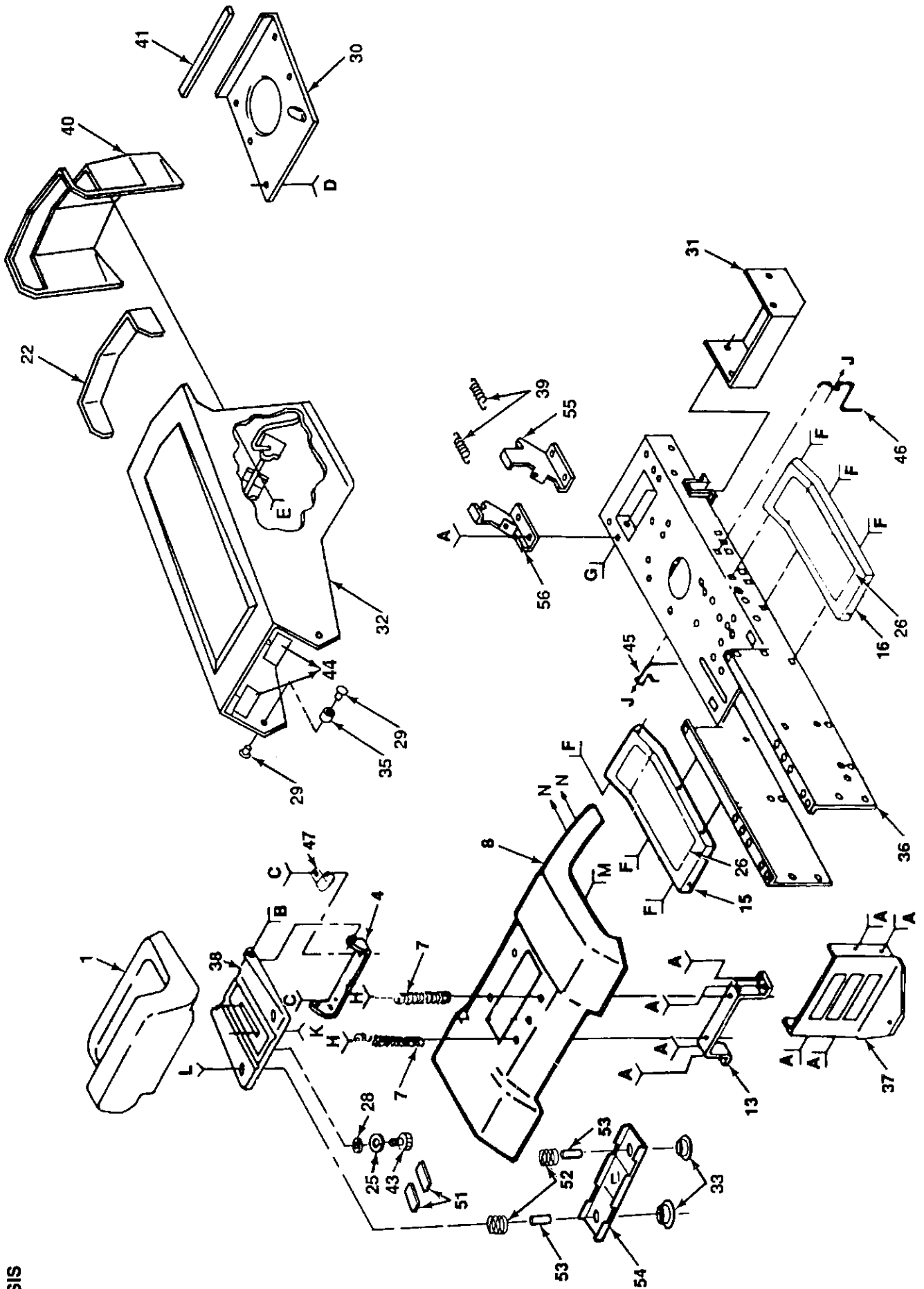
KEY NO.	PART NO.	DESCRIPTION	KEY NO.	PART NO.	DESCRIPTION
1	7662J	Bulb, Light	26	123198X	Wing Nut 1/4-20
2	127441X	Harness, Light Socket	27	STD551125	* Washer, Lock Hvy. Helical Spring
3	131464	Harness, Ignition	28	72240460	Bolt, Carriage 1/4-20 x 7-1/2
4	109310X	Key, Molded	29	109081X	Solenoid
5	110712X	Switch, Light	30	109787X	Bezel, Ignition
6	104445X	Switch, Interlock	31	109788X	Nut, Ignition
7	7603J	Tray, Battery	32	7192J	Cable Tie
8	109596X	Clamp, Hose	33	105687X	Tube, Plastic
9	STD365402	* Switch, Ignition	34	121305X	Switch, Plunger
10	108824X	Fuse	35	STD601005	* Screw, Tapping Hex Head #10 x 24 UNC
11	STD551125	* Washer, Lock 1/4	36	74641008	Screw, Slotted Pan Hd. #10-32 x 1/2
12	73350400	Nut, Hex Jam 1/4-20	37	73951000	Nut, Keps #10-32 x 1/2
13	74780408	Bolt, Hex 1/4-20 x 1/2 Grade 5	38	4171R	Clip, Insulated
14	STD541425	* Nut, Keps 1/4-20	39	121264X	Battery Caps Set
15	4799J	Cable Assembly	—	101539X	Sheet, 15° Slope, Instruction, Tractor
16	11050400	Washer, Lock, Ext. Tooth 1/4	—	131465	Owner's Manual
17	719J	Cover, Terminal			
18	5114J	Cable, Battery			
19	109553X	Switch, Interlock			
20	4207J	Cable, Battery			
21	74760412	Bolt, Hex 1/4-20 x 3/4			
22	STD551025	* Washer 9/32 x 5/8 x 16 Gauge			
23	STD541025	* Nut, Hex 1/4-20			
24	121265X	Battery, 12 Volt			
25	102476X	Terminal Guard			

\* STANDARD HARDWARE PURCHASE LOCALLY

NOTE: All component dimensions given in U.S. inches. 1



**REPAIR PARTS**  
**12.5 HP 38" RIDING LAWN TRACTOR -- MODEL NUMBER 917.255521**  
**CHASSIS**



# REPAIR PARTS

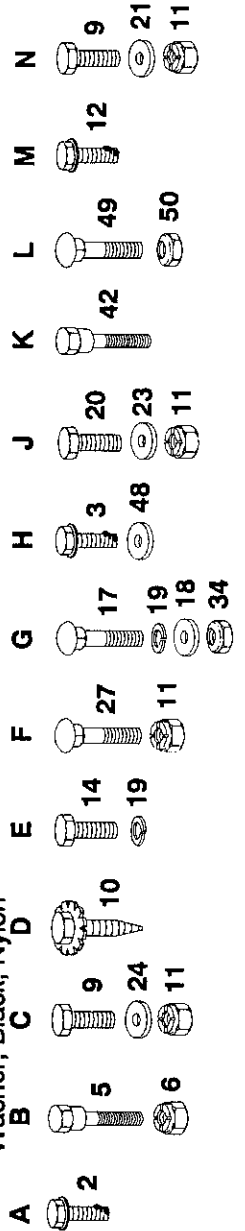
12.5 HP 38" RIDING LAWN TRACTOR - - MODEL NUMBER 917.255521

## CHASSIS

KEY PART NO. NO.	DESCRIPTION	KEY PART NO. NO.	DESCRIPTION
1	127437 Seat	36	127165X Chassis
2	17490612 Screw, Hex Washer Thd. Roll. 3/8-16 x 3/4	37	127866 Drawbar
3	17490616 Screw, Hex Wsh. Thd. Roll. 3/8-16 x 1	38	124294X Pan, Seat
4	126656X Bracket, Pivot, Seat	39	124040X Spring, Extension
5	105529X Bolt, Shoulder 5/16 x 18	40	123915X Grill
6	73680500 Nut, Crownlock 5/16-18	41	105037X Strip, Foam, 18"
7	124181X Spring, Seat	42	127018X Bolt, Shoulder
8	109872X417 Fender	43	74780814 Bolt 1/2-13 x 7/8
9	STD523707 * Bolt, Fin Hex 3/8-16 UNC x 3/4	44	126938X Bumper, Hood
10	17030808 Screw, Spiderlock Hex #8 x 1/2 AB	45	121440X Guide, Belt, Lower, Engine Pulley, L.H.
11	73680600 Nut, Crownlock 3/8-16	46	121441X Guide, Belt, Lower, Engine Pulley, R.H.
12	17490608 Screw, Hex Washer Thd. Roll. 3/8-16 x 1/2	47	2751R Clip
13	109873X Bracket, Fender	48	19131614 Washer 13/32 x 1 x 14 Gauge
14	STD512505 * Bolt, Fin Hex 1/4-20 UNC x 1/2	49	72170410 Bolt, Carriage 1/4-20 x 1-1/4
15	105465X417 Footrest, L.H.	50	123976X Locknut, Hex, Large, Flange
16	105464X417 Footrest, R.H.	51	121251X Strip, Foam
17	74760412 Bolt, Hex 1/4-20 x 3/4	52	121250X Spring, Seat, Compression
18	19091416 Washer 9/32 x 7/8 x 16 Gauge	53	Spacer, Split
19	STD551125 * Washer, Lock, Hvy. Helical Spring	54	121246X Bracket, Switch, Mount
20	STD523710 * Bolt, Fin Hex 3/8-16 UNC x 1	55	123913X Bracket, Pivot, R.H.
21	19131312 Washer 13/32 x 13/16 x 12 Gauge	56	123914X Bracket, Pivot, L.H.
22	124029X Lens Assembly	--	128235 Decal, Side Panel, 12.5 IC
23	19132012 Washer 13/32 x 1-1/4 x 12 Gauge	--	108631X Decal, Hood, II
24	19131210 Washer 13/32 x 3/4 x 10 Gauge	--	125880X Decal, Rear Fender, Sears
25	STD551150 * Washer, Lock, Hvy. Hel. Spring 1/2	--	128261 Decal, Grill, LT4000
26	105466X Pad, Footrest	--	4900J Decal, Footrest, Depress Footpedal
27	72110606 Bolt, Carriage 3/8-16 UNC x 3/4	--	108428X Decal, Chassis, 6 Speed, 38"
28	19171912 Washer 17/32 x 1-3/16 x 12 Gauge	--	124489X Decal, Hood, LH, Stripe
29	122933X Rivot, Ratchet, Nylon	--	124490X Decal, Hood, RH, Stripe
30	124027X Shield, Hood, Heat	--	127521 Decal, Rear Fender, USA
31	123665X Deflector, Heat	--	106974X Decal, Front Fender, Caution
32	124025X417 Hood Assembly	--	109199X Decal, Under Footrest, Belt Instruction
33	121248X Bushing, Snap		
34	126850X Nut, Self-Retaining 1/4-20		
35	124479X Washer, Black, Nylon		

NOTE: All component dimensions given in U.S. inches.  
1 inch = 25.4 mm.

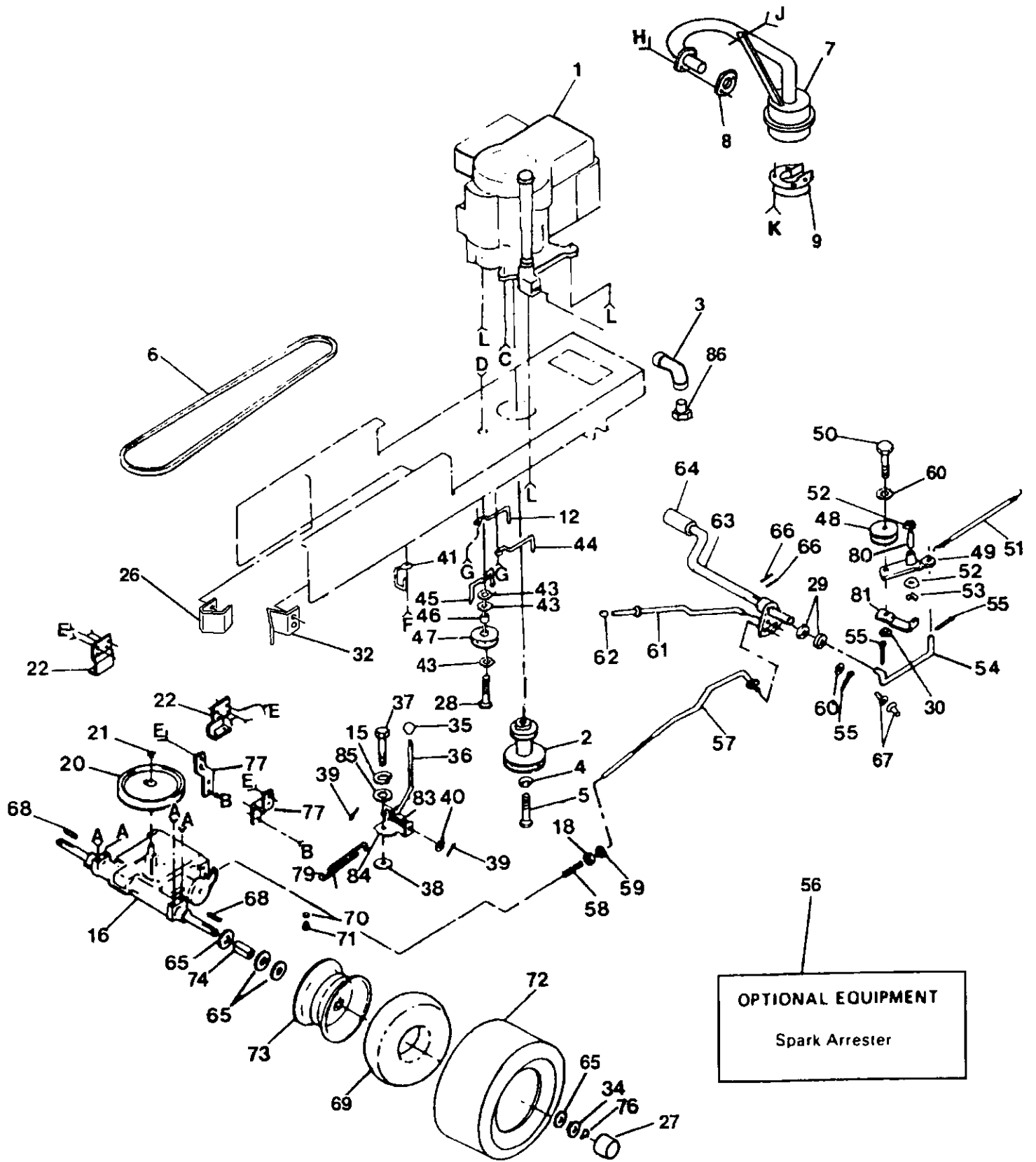
\* STANDARD HARDWARE PURCHASE LOCALLY



# REPAIR PARTS

12.5 HP 38" RIDING LAWN TRACTOR - - MODEL NUMBER 917.255521

DRIVE





# REPAIR PARTS

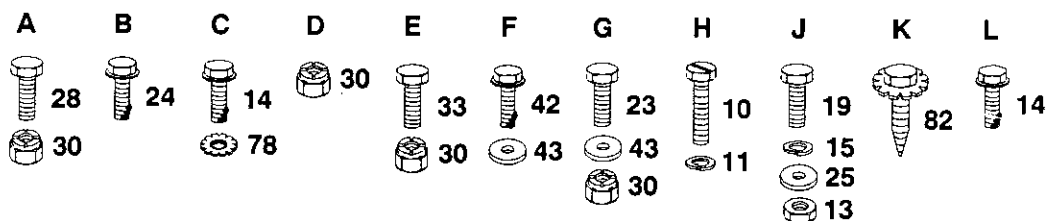
## 12.5 HP 38" RIDING LAWN TRACTOR - - MODEL NUMBER 917.255521

### DRIVE

KEY PART NO. NO.	DESCRIPTION	KEY PART NO. NO.	DESCRIPTION
1 127734	Engine, 12.5 HP, Briggs and Stratton, Model Number 286707, Type Number 0417-01	43 19131312	Washer 13/32 x 13/16 x 12 Ga.
2 131002	Pulley, Engine	44 105730X	Keeper, Belt, Engine
3 127222X	Pipe, Oil Drain, Engine	45 109070X	Retainer, Belt
4 STD551143 *	Washer, Lock, Hvy. Helical Spring	46 4470J	Spacer
5 71130720	Bolt, Hex 7/16-20 x 1-1/4	47 123674X	Idler, Flat
6 125907X	V-Belt, Drive	48 123766X	Idler, V-Groove
7 125610X	Muffler	49 123789X	Arm, Idler
8 125593X	Gasket	50 STD523715 *	Bolt, Hex 3/8-16 x 1-1/2
9 101326L	Deflector, Muffler	51 105709X	Spring, Return, Clutch
10 71070510	Screw, Cap, Hex Head 5/16-18 x 5/8	52 110812X	Washer, Hardened
11 STD551131 *	Washer, Lock 5/16	53 12000039	Ring, Klip
12 121218X	Keeper, Belt, Engine	54 105710X	Link, Clutch
13 73220500	Nut, Hex 5/16-18	55 STD561210 *	Pin, Cotter 1/8 x 3/4
14 17490620	Screw, Hex, Washer, Thd. Roll. 3/8-16 x 1-1/4	56 121851X	Spark Arrester
15 STD551125 *	Washer, Lock, Hvy. Hel. Spring	57 110437X	Rod, Brake
16 120898X	Transaxle, Dana, 6 Speed 4360-7 (see pages 42 and 43 for parts breakdown)	58 106888X	Spring, Rod, Brake
18 STD541437 *	Locknut, Hex w/washer Insert 3/8-16	59 73350600	Nut, Jam 3/8-16
19 STD522510 *	Bolt, Hex. Fin 1/4 x 20 UNC x 1	60 19131316	Washer 13/32 x 13/16 x 16 Ga.
20 123666X	Pulley, Transaxle	61 125638X	Rod, Brake, Parking
21 12000028	Ring, Retainer	62 124236X	Cap, Plunger
22 109167X	Bracket, Transaxle	63 122424X	Shaft, Foot Pedal
23 STD523710 *	Bolt, Hex 3/8-16 x 1	64 8883R	Cover, Pedal
24 17490512	Screw, Hex Washer Thd. Roll. 5/16-18 x 3/4	65 121749X	Washer 25/32 x 1-1/4 x 16 Ga.
25 STD551025 *	Washer 9/32 x 5/8 x 16 Gauge	66 STD571810 *	Pin, Roll 3/16 x 1
26 127275X	Keeper, Belt Keeper, L.H.	67 120183X	Bearing, Nylon
27 104757X	Cap, Hub	68 123583X	Key, Square 2.5 x .1845/.1865
28 STD523727 *	Bolt, Hex. 3/8-16 x 2-3/4	69 7152J	Tube, Tire (not furnished with tractor)
29 STD551062 *	Washer 21/32 x 1 x 16 Gauge	70 59192	Cap, Valve
30 STD541437 *	Nut, Crownlock 3/8-16	71 65139	Stem, Valve
32 127274X	Keeper, Belt Keeper, R.H.	72 3588R	Tire, Rear
33 STD523707 *	Bolt, Hex 3/8-16 x 3/4	73 106108X361	Rim Assembly, Rear
34 121748X	Washer 25/32 x 1-5/8 x 16 Ga.	74 109502X	Spacer
35 106933X	Knob, Shift	76 12000001	E-Ring
36 124461X	Rod, Shift	77 121520X	Strap, Torque, Transaxle
37 71040412	Bolt, Hex 1/4-28 x 3/4	78 11050600	Washer, Lock, Ext. Tooth 3/8
38 105701X	Washer, Shift Plate	79 110422X	Spring, Brake
39 STD561210 *	Pin, Cotter 1/8 x 1	80 105706X	Bearing
40 19151216	Washer 15/32 x 3/4 x 16 Gauge	81 123205X	Retainer, Belt
41 104777X	Retainer, Belt	82 17030808	Screw, Spider Lock # 8-18 x 1/2 ABTPS
42 17490612	Screw, Hex, Washer Thd. Roll. 3/8-16 x 3/4	83 105700X	Spring
		84 106919X	Plate, Shift
		85 19091210	Washer 9/32 x 3/4 x 10 Gauge
		86 - - - - -	Oil Drain Plug (order from Engine Manufacturer)
		- - 127908	Decal, 12.5 HP, Engine

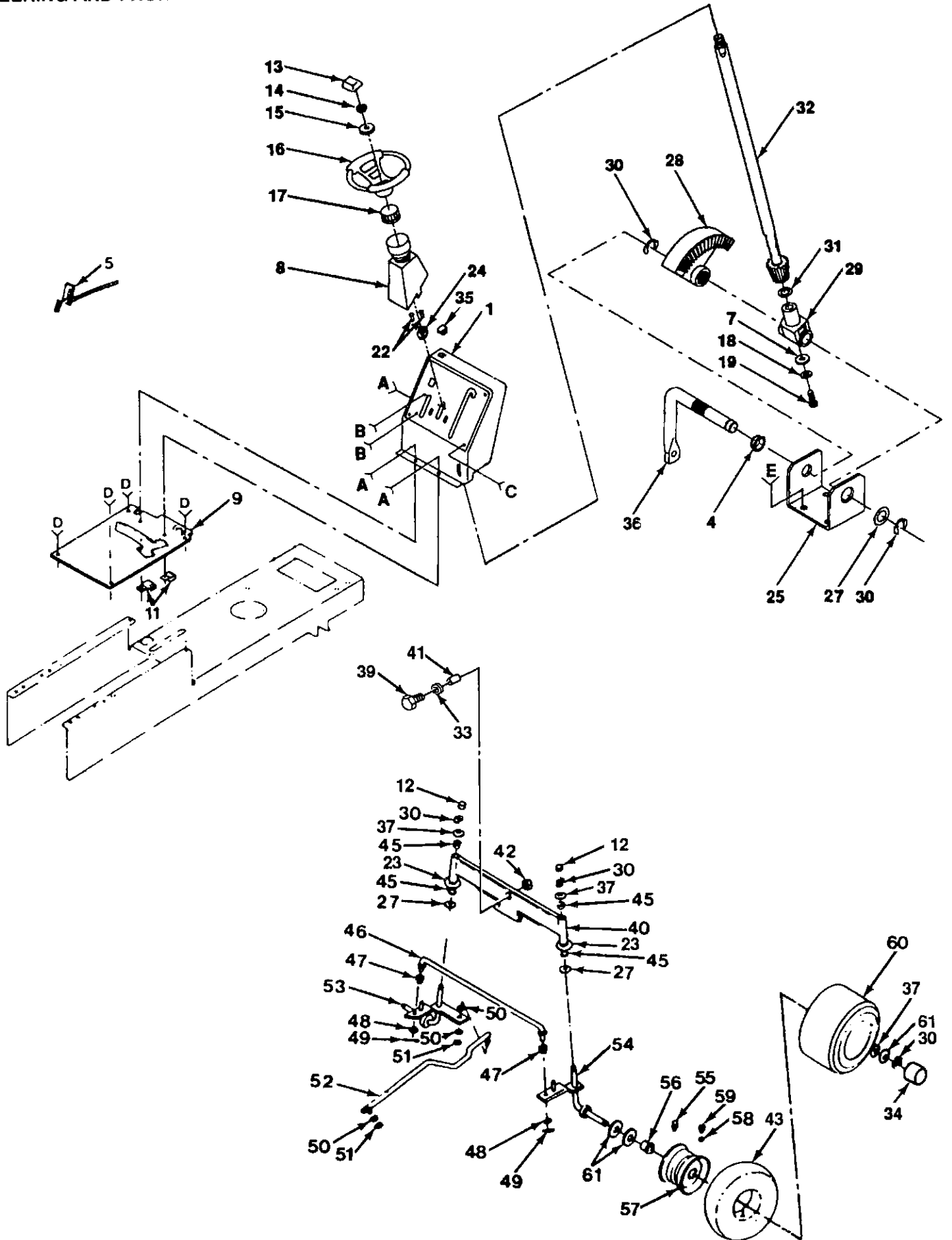
\* STANDARD HARDWARE PURCHASE LOCALLY

NOTE: All component dimensions given in U.S. inches. 1 inch = 25.4 mm.



# REPAIR PARTS

12.5 HP 38" RIDING LAWN TRACTOR - - MODEL NUMBER 917.255521  
STEERING AND FRONT AXLE



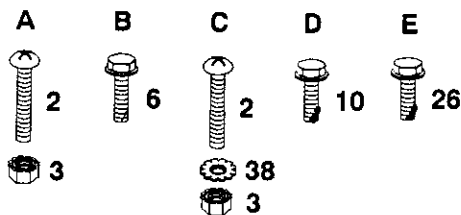
# REPAIR PARTS

## 12.5 HP 38" RIDING LAWN TRACTOR -- MODEL NUMBER 917.255521 STEERING AND FRONT AXLE

KEY PART NO. NO.	DESCRIPTION	KEY PART NO. NO.	DESCRIPTION		
1	123042X	Dash	36	124033X	Shaft, Pitman
2	74180512	Screw, Truss Hd. 5/16-18 x 3/4	37	121748X	Washer 25/32 x 1-5/8 x 16 Ga.
3	73510500	Nut, Keps 5/16-18	38	STD551231 *	Washer, Lock, Ext. Tooth 5/16
4	109816X	Nyliner, Snap-In	39	74761060	Bolt Hex 5/8-11 x 3-3/4
5	127655	Control, Throttle	40	105669X	Axle, Front
6	STD522510 *	Screw, Hex, Thread Cutting 1/4-20 x 5/8	41	110438X	Spacer, Bearing, Front Axle
7	126684X	Washer, Shim 1/4 x 5/8 x .062	42	73601000	Locknut, Hex with Washer 5/8-16 UNC
8	124417X	Boot, Steering Shaft	43	59904	Tube, Front (not furnished with tractor)
9	124464X	Saddle	45	3366R	Bearing
10	17490608	Screw, Hex Washer Head, Thd. Roll. 3/8-16 x 1/2	46	105715X	Rod, Tie
11	2751R	Clip Insulated	47	120754X	Bushing
12	121232X	Cap, Spindle	48	19131416	Washer 13/32 x 7/8 x 16 Gauge
13	100710L	Insert, Steering Wheel	49	76020412	Pin, Cotter 1/8 x 3/4
14	STD541350 *	Locknut, Hex, Jam 1/2-20	50	STD551137 *	Washer, Lock 3/8
15	100712K	Washer 2-1/4	51	73610600	Nut, Fin. Hex 3/8-24 UNF
16	100713N	Wheel, Steering	52	128122	Link, Drag
17	100711L	Adapter, Steering Wheel	53	105656X	Spindle, L.H.
18	STD551125 *	Washer, Lock 1/4	54	105654X	Spindle, R.H.
19	71070410	Screw, Soc. Hex 1/4-20 x 5/8	55	278H	Fitting, Grease
22	STD611005 *	Screw, Hex, Self Tapping #10-16 x 1/2 Type ABTPS	56	9040H	Bearing, Flange
23	19272016	Washer 27/32 x 1-1/4 x 16 Ga.	57	106732X361	Rim, Front (Includes 2 each of Key Number 56)
24	124373X	Bushing, Steering	58	59192	Cap, Valve
25	124036X	Bracket, Steering	59	65139	Stem, Valve
26	17490612	Screw, Hex Washer Thd. Roll. 3/8-16 x 3/4 Type TT	60	106222X	Tire, Front
27	6266H	Bearing, Thrust	61	121749X	Washer 25/32 x 1-1/4 x 16 Ga.
28	124034X	Gear, Sector	--	108456X	Decal, Operating Instructions
29	124035X	Shaft, Support	--	125879X	Decal, Steering Wheel Cap
30	12000029	Ring, Klip			
31	57079	Washer, Hardened			
32	128752	Shaft and Pinion, Steering			
33	19212010	Washer			
34	104757X	Cap, Hub			
35	5479J	Plug, Button			

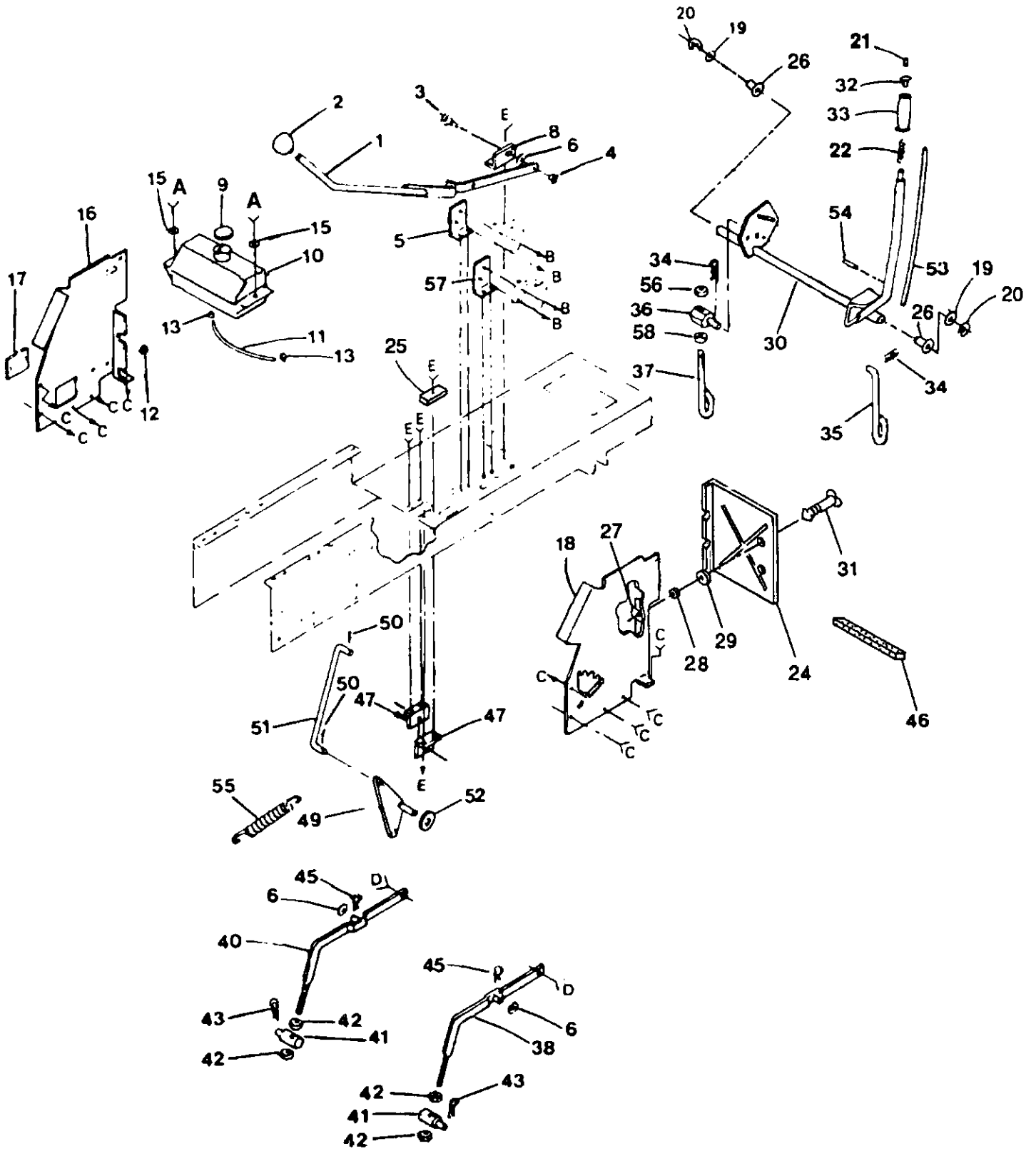
\* STANDARD HARDWARE -- PURCHASE LOCALLY

NOTE: All component dimensions given in U.S. inches.  
1 inch = 25.4 mm.



# REPAIR PARTS

12.5 HP 38" RIDING LAWN TRACTOR - - MODEL NUMBER 917.255521  
LIFT ADJUSTMENT



# REPAIR PARTS

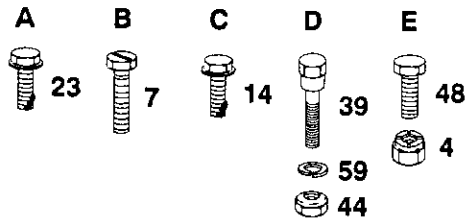
## 12.5 HP 38" RIDING LAWN TRACTOR - - MODEL NUMBER 917.255521

### LIFT ADJUSTMENT

KEY PART NO. NO.	DESCRIPTION	KEY PART NO. NO.	DESCRIPTION
1 124429X	Lever, Clutch, Mower	31 123650X	Stud, 1/4 Turn
2 106932X	Knob	32 122364X	Plunger
3 106451X	Bolt, Shoulder	33 125631X	Grip, Handle
4 73680600	Nut, Crownlock 3/8-16	34 4939M	Retainer, Spring
5 106452X	Bracket, Switch, Interlock	35 110029X	Link, Lift
6 19171516	Washer 17/32 x 15/16 x 16 Gauge	36 110447X	Trunnion, Lift
7 17021008	Screw, Hex, Tapping #10-24	37 110448X	Link, Lift, Adjustable
8 106447X	Support, Lever, Clutch	38 121598X	Arm, Suspension, R.H.
9 123549X	Cap, Fuel	39 105848X	Bolt, Shoulder 3/8-16
10 109202X	Tank, Fuel	40 121599X	Arm, Suspension, L.H.
11 101335K	Line, Fuel	41 106308X	Trunnion, Lift, Lower
12 124028X	Grommet	42 STD541050	* Nut, Hex 1/2-13
13 123487X	Clamp, Hose	43 9135R	Retainer, Spring
14 17490612	Screw, Hex Washer Head, Thd., Roll. 3/8-16 x 3/4	44 73980600	Nut, Flangelock 3/8-16
15 19091416	Washer 9/32 x 7/8 x 16 Gauge	45 4921H	Retainer, Spring
16 122795X	Panel, Dash, L.H.	46 127057X	Strip
17 121794X	Cover, Access	47 106444X	Bracket, Bellcrank
18 124031X	Panel, Dash, R.H.	48 STD523707	* Bolt, Hex 3/8-16 x 3/4
19 19211416	Washer 21/32 x 7/8 x 16 Gauge	49 109728X	Bellcrank Assembly
20 STD581062	* E-Ring	50 STD561210	* Pin, Cotter 1/8 x 3/4
21 122365X	Button, Plunger	51 124444X	Rod, Clutch, Primary
22 122512X	Spring, Compression	52 19131410	Washer 13/32 x 7/8 x 10 Gauge
23 17490412	Screw, Hex Washer Head, Thd., Roll. 1/4-20 x 3/4	53 122514X	Rod, Assembly, Lever
24 105736X	Shield, Heat	54 105767X	Pin, Groove
25 5320R	Clip, Insulated	55 124446X	Spring, Extension
26 120183X	Bearing, Nylon	56 73710700	Nut, Crownlock 7/16-20
27 105839X	Receptacle, 1/4 Turn	57 108236X	Bracket, Switch
28 105838X	Retainer, 1/4 Turn	58 73360700	Nut, Hex, Jam 7/16-20
29 STD551025	* Washer 9/32 x 5/8 x 16 Gauge	59 110739X	Washer, Spring
30 122507X	Shaft, Lift		

\* STANDARD HARDWARE - - PURCHASE LOCALLY

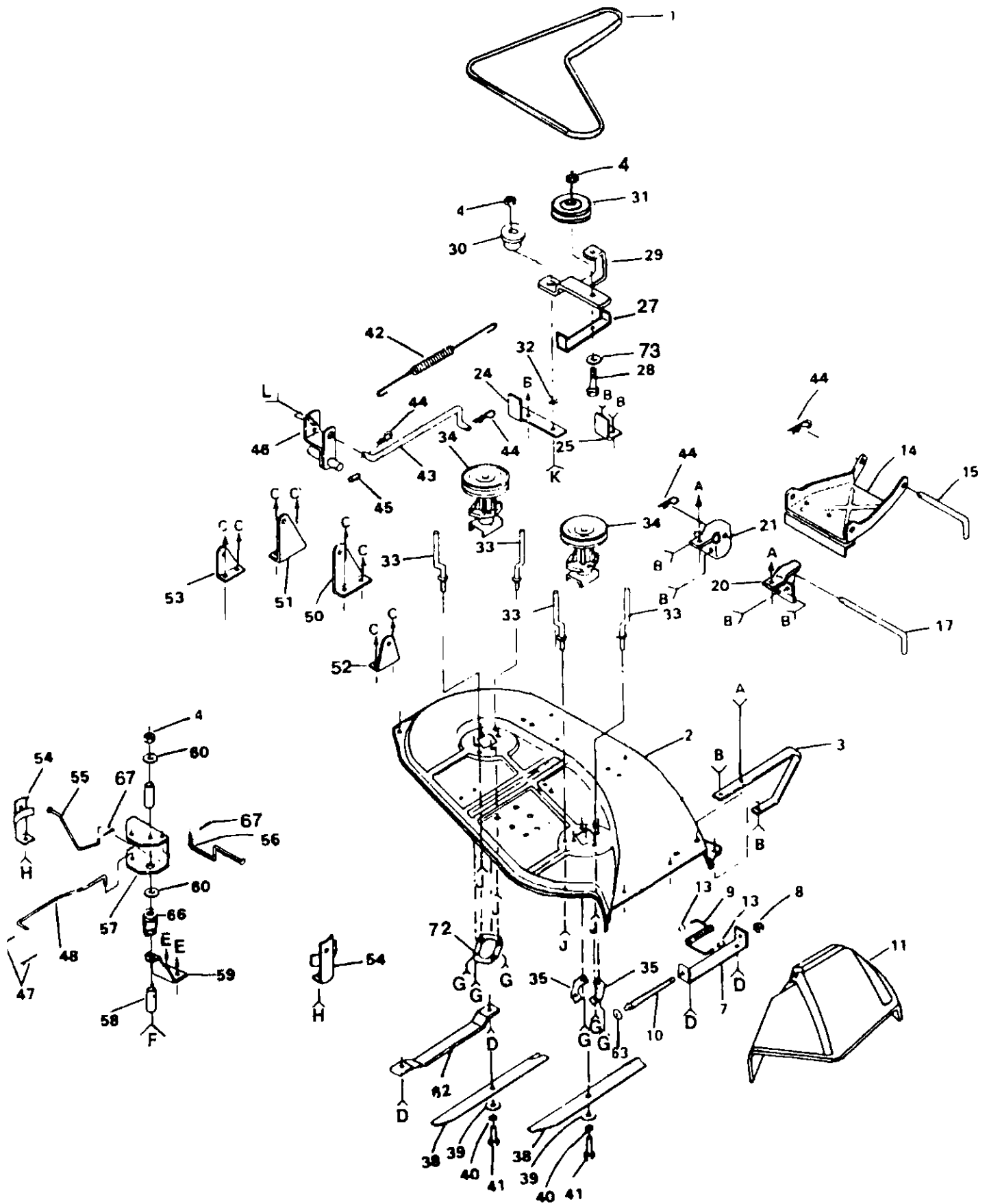
NOTE: All component dimensions given in U.S. inches.  
1 inch = 25.4 mm.



# REPAIR PARTS

12.5 HP 38" RIDING LAWN TRACTOR -- MODEL NUMBER 917.255521

## MOWER DECK



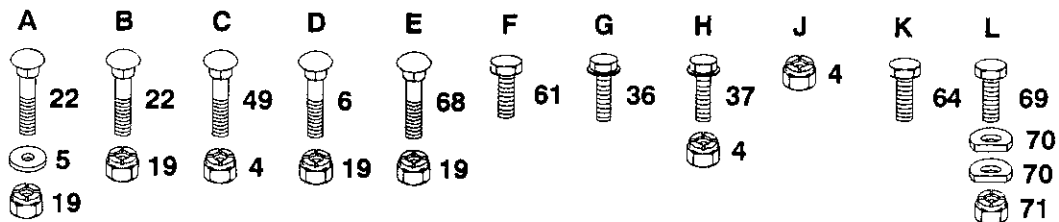
# REPAIR PARTS

## 12.5 HP 38" RIDING LAWN TRACTOR -- MODEL NUMBER 917.255521 MOWER DECK

KEY PART NO. NO.	DESCRIPTION	KEY PART NO. NO.	DESCRIPTION
1 106085X	V-Belt	41 STD623715	* Bolt, Hex 3/8-24 x 1-1/2 Grade 5
2 121259X	Housing	42 108250X	Spring, Extension
3 8417J	Runner, R.H.	43 108235X	Rod, Clutch, Mower
4 73680600	Nut, Crownlock 3/8-16	44 4921H	Spring, Retainer
5 19111216	Washer 11/32 x 3/4 x 16 Gauge	45 6404J	Spacer 1/2 x 9/16
6 72140505	Bolt, Carriage 5/16-18 x 5/8	46 124066X	Rock Shaft Assembly
7 105896X	Bracket, Deflector	47 76020616	Pin, Cotter 3/16 x 1
8 110452X	Pushnut	48 108247X	Rod, Brake, Primary
9 106734X	Spring, Deflector	49 72140606	Bolt, Carriage 3/8-16 x 3/4
10 106735X	Rod, Hinge	50 108243X	Bracket, Pivot, R.H.
11 106736X	Shield, Deflector	51 108241X	Bracket, Pivot, L.H.
13 105304X	Cap, Spring	52 105857X	Bracket, Suspension, Rear, R.H.
14 129762	Stop, Asm., Link, Parallel	53 108673X	Bracket, Suspension, Rear, L.H.
15 105744X	Pin, Hinge, Front	54 106578X	Brake Assembly
17 109835X	Pin, Hinge, Rear	55 106463X	Rod, Brake, Secondary, L.H.
19 73680500	Nut, Crownlock 5/16-18	56 108249X	Rod, Brake, Secondary, R.H.
20 109598X	Bracket, Lift, R.H.	57 106456X	Bracket, Brake, Pivot
21 109597X	Bracket, Lift, L.H.	58 100672K	Spacer, Brake
22 STD533107	* Bolt, Carriage 5/16-18 x 3/4	59 100673L	Bracket, Support
24 109503X	Support, Arm	60 19131614	Washer 13/32 x 1 x 14 Gauge
25 109504X	Stop, Deck, Front	61 74760688	Bolt 3/8-16 x 5
27 126756X	Guide, Belt	62 7631J	Runner, L.H.
28 74760632	Bolt 3/8-16 x 2	63 19111016	Washer 11/32 x 5/8 x 16 Gauge
29 127163X	Arm, Idler	64 72140610	Bolt 3/8-16 x 1-1/4
30 106902X	Spacer, Retainer	66 122314X	Spacer
31 123688X	Pulley, Idler	67 STD560907	* Pin, Cotter 3/32 x 1/2
32 106513X	Washer, Wear 1/16	68 72110506	Bolt, Carriage 5/16-18 x 3/4
33 102669X	Keeper, Belt	69 74760412	Bolt, Hex 1/4-20 x 3/4
34 121676X	Mandrel Assembly	70 109893X	Washer, Special
35 100668L	Plate, Support, Mandrel	71 73680400	Nut, Crownlock 1/4-20
36 17490614	Screw, Hex Washer Head 3/8-16 x 7/8	72 110445X	Plate, Support, Mandrel, L.H.
37 17490620	Screw, Hex Washer Head 3/8-16 x 1-1/4	73 STD551037	* Washer 13/32 x 13/16 x 16 Gauge
38 121263X	Blade	-- 122215X	Mower Assembly, Complete
39 19132012	Washer 13/32 x 1-1/4 x 12 Gauge	-- 105814X	Decal, Belt Instruction
40 STD551137	* Washer, Lock 3/8	-- 121343X	Decal, Bloody Finger
		-- 3713J	Decal, Rotating Blades

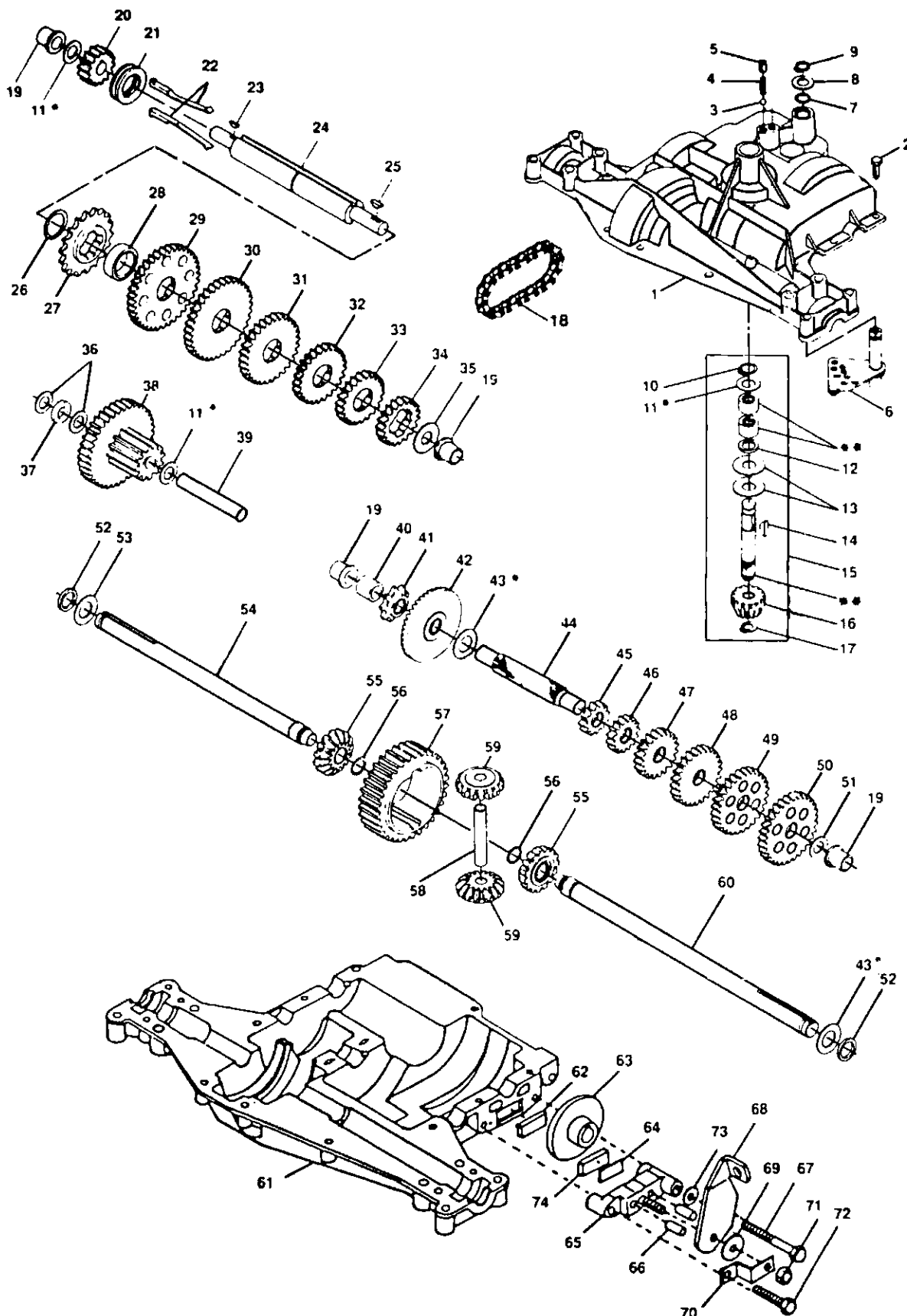
\* STANDARD HARDWARE -- PURCHASE LOCALLY

NOTE: All component dimensions given in U.S. inches.  
1 inch = 25.4 mm.



# REPAIR PARTS

12.5 HP 38" RIDING LAWN TRACTOR - - MODEL NUMBER 917.255521  
TRANSAXLE DANA - MODEL NUMBER 4360-7





# REPAIR PARTS

## 12.5 HP 38" RIDING LAWN TRACTOR - - MODEL NUMBER 917.255521 TRANSAXLE DANA - MODEL NUMBER 4360-7

KEY PART NO. NO.	DESCRIPTION	KEY PART NO. NO.	DESCRIPTION
1 120458X	Housing, Upper	41 105928X	Sprocket, 9 Teeth
2 2274J	Screw, Tapping, Lg. 1/4-20 x .734	42 110084X	Gear, Bevel, 42 Teeth
3 68003	Ball, Detent	43 108983X	*Washer, Plain .758 x 1.12 x .010
4 105904X	Spring, Detent	43 105930X	*Washer, Plain .758 x 1.12 x .015
5 105905X	Screw, Set	43 105931X	*Washer, Plain .758 x 1.12 x .020
6 120460X	Assembly, Shifter	43 105932X	*Washer, Plain .758 x 1.12 x .025
7 120461X	O-Ring	43 3417J	*Washer, Plain .758 x 1.25 x .020
8 120462X	*Washer, Plain .505 x .942 x .006	43 106097X	*Washer, Plain .758 x 1.25 x .025
8 120463X	*Washer, Plain .505 x .942 x .010	43 2264J	*Washer, Plain .758 x 1.25 x .031
8 120464X	*Washer, Plain .505 x .942 x .015	43 106098X	*Washer, Plain .758 x 1.25 x .035
8 120465X	*Washer, Plain .505 x .942 x .020	43 2265J	*Washer, Plain .758 x 1.25 x .040
8 120466X	*Washer, Plain .505 x .942 x .026	43 106586X	*Washer, Plain .758 x 1.25 x .045
8 83818	*Washer, Plain .505 x .942 x .030	43 106587X	*Washer, Plain .758 x 1.25 x .050
8 120467X	*Washer, Plain .505 x .942 x .040	43 106588X	*Washer, Plain .758 x 1.25 x .055
9 2286J	Ring, Retaining	43 2263J	*Washer, Plain .758 x 1.25 x .062
10 2267J	Ring, Retaining	44 120473X	Shaft, Drive
11 3413J	*Washer, Plain .632 x 1.00 x .010	45 105933X	Gear, Spur, 12 Teeth
11 2233J	*Washer, Plain .632 x 1.00 x .020	46 106151X	Gear, Spur, 15 Teeth
11 2232J	*Washer, Plain .632 x 1.00 x .026	47 120407X	Gear, Spur, 20 Teeth
11 2231J	*Washer, Plain .632 x 1.00 x .031	48 106589X	Gear, Spur, 25 Teeth
11 2230J	*Washer, Plain .632 x 1.00 x .036	49 120408X	Gear, Spur, 28 Teeth
11 2229J	*Washer, Plain .632 x 1.00 x .041	50 105937X	Gear, Spur, 31 Teeth
11 2228J	*Washer, Plain .632 x 1.00 x .046	51 2226J	Washer, Plain .632 x 1.00 x .060
11 2227J	*Washer, Plain .632 x 1.00 x .050	52 2272J	Seal, Felt
11 2226J	*Washer, Plain .632 x 1.00 x .060	53 2263J	Washer, Plain .758 x 1.25 x .062
11 105906X	*Washer, Plain .632 x 1.00 x .082	54 120474X	Axle, L.H.
12 6725J	O-Ring	55 110081X	Gear, Miter, 15 Teeth
13 120415X	Washer, Plain .632 x 1.38 x .046	56 105941X	Ring, Retaining
14 2257J	Key, Woodruff #9	57 110071X	Gear, Spur, 32 Teeth
15 110077X	Assembly, Kit, Input Shaft	58 120952X	Shaft, Cross
16 110078X	Pinion, Bevel, 14 Teeth	59 110082X	Gear, Miter, 15 Teeth
17 105909X	Ring, Retaining	60 120475X	Axle, R.H.
18 105910X	Chain, 24 Pitches	61 120476X	Housing, Lower
19 105911X	Bearing, Flange	62 120961X	Puck, Friction
20 108976X	Gear, Spur, 14 Teeth	63 7294J	Disc, Brake
21 105913X	Collar, Clutch	64 108989X	Spacer
22 120468X	Key, Clutch	65 120953X	Jaw, Brake
23 2242J	Key, Woodruff	66 120954X	Pin, Dowel
24 120469X	Shaft, Intermediate	67 120955X	Screw, Tapping, Lg. 5/16-18 x 2.25
25 2244J	Key, Woodruff #61	68 108992X	Lever, Actuating
26 105916X	Ring, Retaining	69 108996X	Washer, Plain .321 x 1.00 x .055
27 120470X	Sprocket, 18 Teeth	70 120956X	Bracket, Anti-Rotation
28 110070X	Spacer	71 73810500	Locknut 5/16-24
29 108977X	Gear, Spur, 37 Teeth	72 106596X	Screw, Tapping, Lg. 5/16-18 x 1.44
30 109254X	Gear, Spur, 35 Teeth	73 120993X	Washer, Plain .343 x .81 x .059
31 120405X	Gear, Spur, 30 Teeth	74 120951X	Puck, Friction
32 108980X	Gear, Spur, 25 Teeth	75 120416X	Grease
33 120406X	Gear, Spur, 22 Teeth		
34 108455X	Gear, Spur, 19 Teeth		
35 105925X	Washer, Plain .640 x 1.37 x .061		
36 2232J	Washer, Plain .632 x 1.00 x .026		
37 108978X	Spacer .630 x 1.00 x .169		
38 110079X	Assembly, Gear, Combination 12 Teeth and 35 Teeth		
39 120471X	Shaft, Idler		
40 120472X	Spacer .635 x .875 x .755		

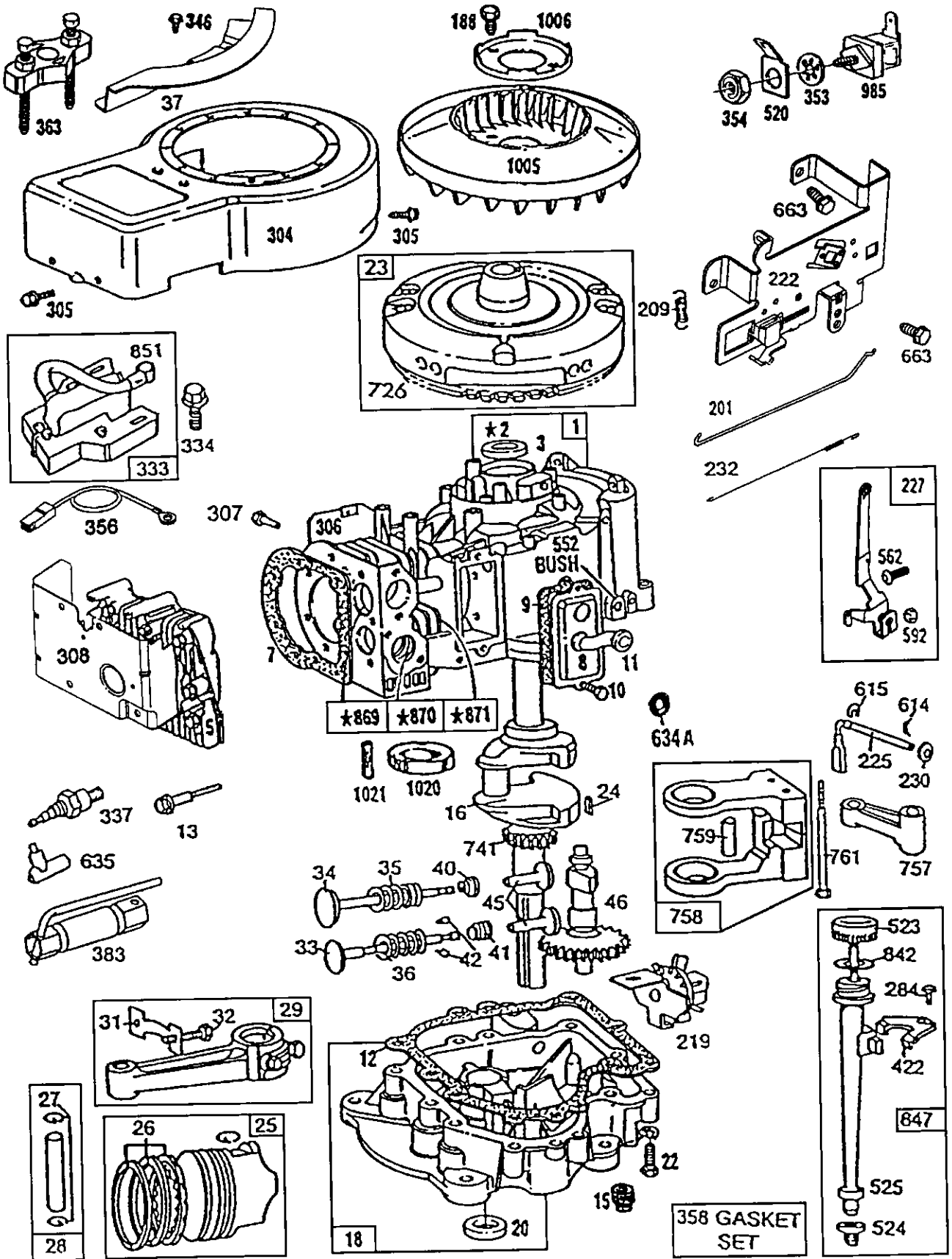
\*Use in various combinations to maintain proper clearances.

\*\*Order Key Number 15.

NOTE: All component dimensions given in U.S. inches  
1 inch = 25.4 mm

# REPAIR PARTS

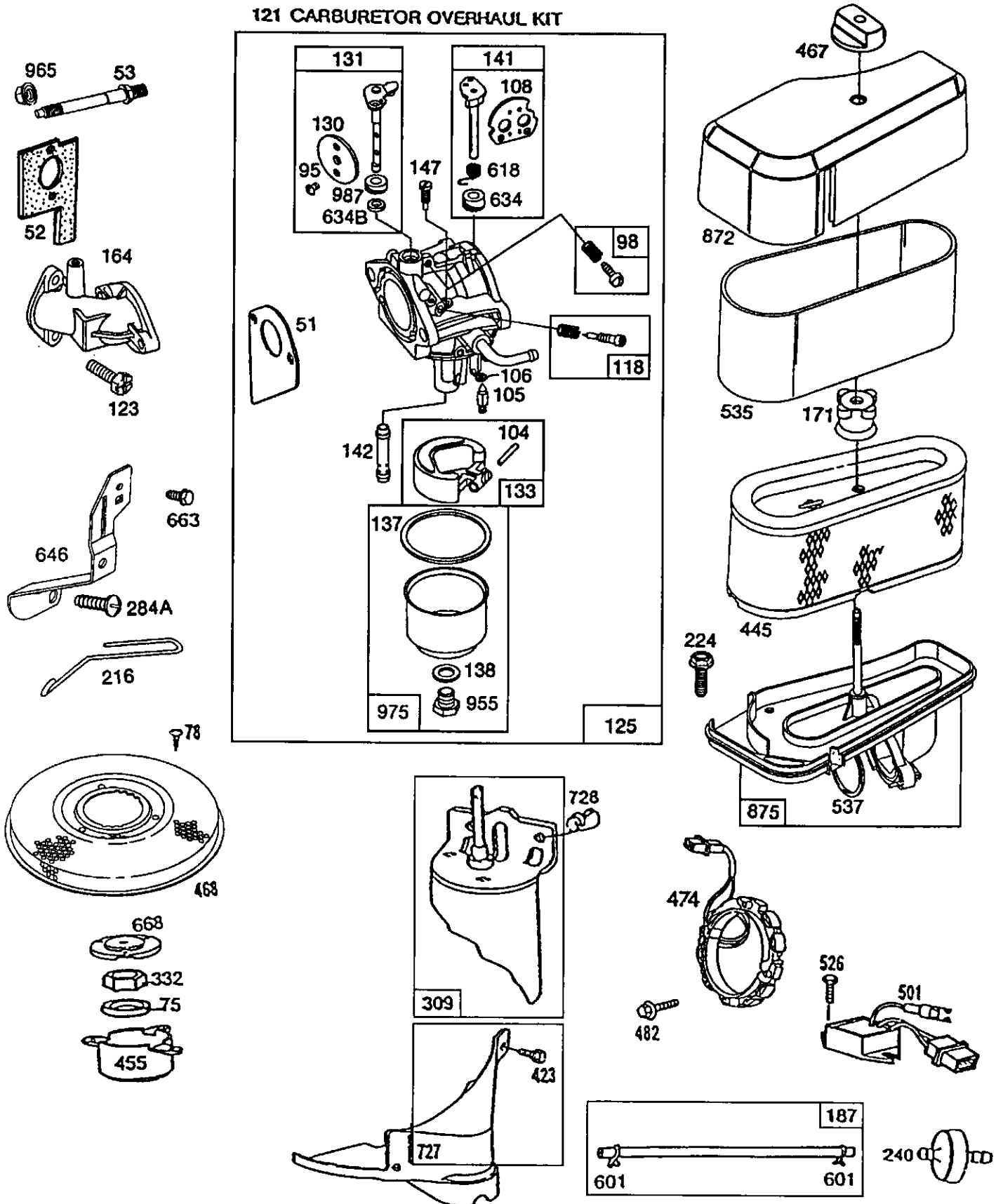
12.5 HP 38" RIDING LAWN TRACTOR - - MODEL NUMBER 917.255521  
 ENGINE BRIGGS & STRATTON - MODEL NUMBER 286707, TYPE 0417-01



# REPAIR PARTS

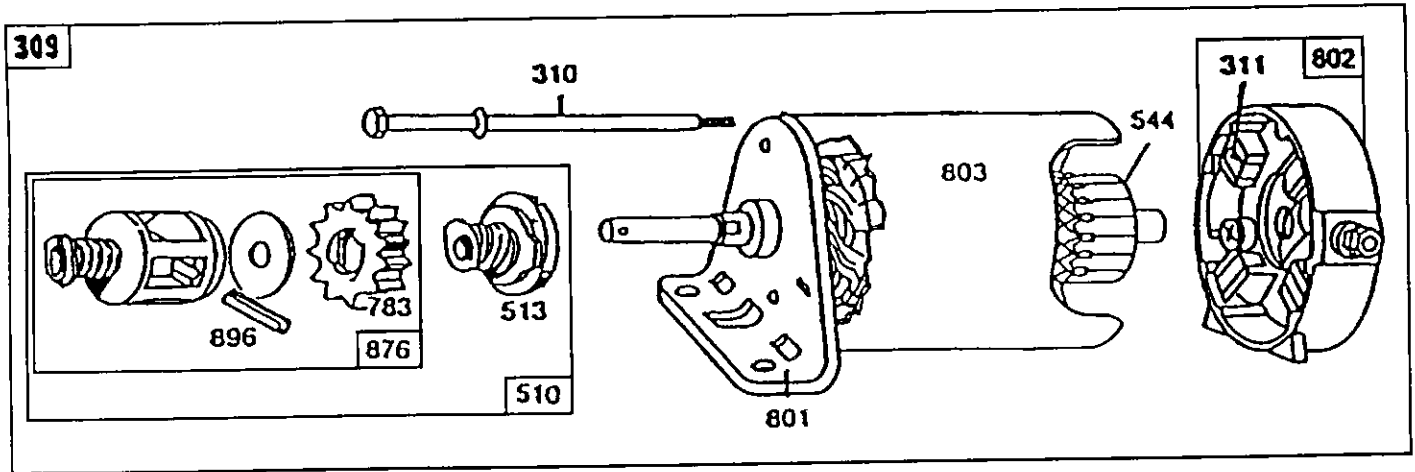
12.5 HP 38" RIDING LAWN TRACTOR - - MODEL NUMBER 917.255521  
ENGINE BRIGGS & STRATTON - MODEL NUMBER 286707, TYPE 0417-01

## 121 CARBURETOR OVERHAUL KIT



# REPAIR PARTS

12.5 HP 38" RIDING LAWN TRACTOR -- MODEL NUMBER 917.255521  
 ENGINE BRIGGS & STRATTON - MODEL NUMBER 286707, TYPE 0417-01  
 AIR CLEANER AND CARBURETOR GROUP



Reference Number	309	310	311	510	544	801	802	803
Manufacturer	Motor and Drive Ass'y.	Thru Bolt Assembly	Brush Assembly	Drive Assembly	Armature Assembly	Drive End Cap Assembly	End Cap Ass'y. Commutator	Housing Assembly
Briggs & Stratton	Housing Length							
12V	3-21/32"	494325	94003	395538	490421**	390837	394856	395537*
								398159

\*Includes Brush Set

\*\*Includes #398003 Clutch Assembly (Ref. No. 513)  
 #280104 Gear (Ref. No. 783)  
 #490467 Retainer and Pin (Ref. No. 876)  
 # 94288 Roll Pin (Ref. No. 896)

# REPAIR PARTS

12.5 HP 38" RIDING LAWN TRACTOR - - MODEL NUMBER 917.255521

ENGINE BRIGGS & STRATTON - MODEL NUMBER 286707, TYPE 0417-01

## AIR CLEANER AND CARBURETOR GROUP

KEY PART NO. NO.	DESCRIPTION	KEY PART NO. NO.	DESCRIPTION
1 490450	Cylinder Assembly	53 94637	Stud, Carburetor Mounting
2 261623	Bearing, Cylinder (Requires Special Tools For Installation)	75 224061	Washer, Spring
3 391086	* Seal, Oil	78 93805	Screw, Sem
5 494240	Head, Cylinder	95 94098	** Screw, Throttle
7 271866	* Gasket, Cylinder Head	98 494382	Screw, Idle Speed
8 391406	Breather Assembly	104 231789	** Pin, Float Hinge
9 27803	* Gasket, Valve Cover	105 231790	** Valve Assembly, Inlet Needle
10 94621	Screw, Sem	106 281169	Inlet, Valve Seat
11 280100	Tube, Breather	108 224540	Valve, Choke
12 271916	* Gasket, Crankcase Cover 1/64"	118 494383	** Valve, Needle
271997	* Gasket, Crankcase Cover .005"	121 494384	Carburetor Overhaul Kit
271996	* Gasket, Crankcase Cover .009"	123 94616	Screw, Elbow Mounting
13 94622	Screw, Cylinder Head	125 494392	Carburetor Assembly(Choke-A-Matic)
15 94239	Plug, Oil Drain	130 224539	Valve, Throttle
16 490466	Crankshaft	131 494379	Shaft and Lever, Throttle
94196	Key, Timing Gear	133 494381	Float, Carburetor
18 494238	Base, Engine	137 281165	*** Gasket, Float Bowl
20 291675	* Seal, Oil	138 281164	*** Washer, Float Bowl Screw
22 94624	Screw, Sem, Base Mounting	141 494380	** Shaft and Lever, Choke
23 492325	Flywheel and Ring Gear Assembly, Magneto	142 231793	** Nozzle / Jet, Carburetor
24 222698	Key, Flywheel	494386	High Altitude Kit
25 394661	Piston Assembly, Standard Size	Includes:	231796 Pilot, Jet (High Altitude)
394662	Piston Assembly .010" Oversize	147 231794	281164 Seal, Bowl Screw
394663	Piston Assembly .020" Oversize	164 213811	** Pilot, Jet
394664	Piston Assembly .030" Oversize	171 281051	Carburetor, Elbow
26 391780	Ring Set, Piston, Standard Size	187 393815	Nut, Air Cleaner Mounting
392331	Ring Set, Piston, Chrome, Std. Size	188 93535	Line, Fuel
391781	Ring Set, Piston .010" Oversize	201 262767	Screw, Sem
391782	Ring Set, Piston .020" Oversize	209 261306	Link, Governor
391783	Ring Set, Piston .030" Oversize	216 262766	Spring, Governor
27 260924	Lock, Piston Pin	219 490815	Link, Choke
28 299691	Pin Assembly, Piston, Std. Size		Oil Slinger, Governor Gear and Bracket Assembly
391286	Pin Assy., Piston .005" Oversize	222 493896	Plate, Governor Control (Choke-A-Matic)
29 490348	Rod Assembly, Connecting	224 94513	Screw, Sem, Air Cleaner
490469	Rod Assembly, Connecting, .020" Undersize Crankpin Bore	225 231058	Crank, Governor
31 222299	Lock, Connecting Rod Screw	227 493935	Lever Assembly, Governor
32 92909	Screw, Connecting Rod	230 222450	Washer, Governor Crank
33 262246	Valve, Exhaust	232 262785	Spring, Governor Link
34 262247	Valve, Intake	240 394358	Filter, Fuel
35 65906	Spring, Intake Valve		
36 26828	Spring, Exhaust Valve		
37 223752	Guard, Flywheel		
40 221596	Retainer, Intake Valve	* Included in Gasket Set, Part Number 494241.	
41 292260	Rotocoil, Exhaust Valve	** Included in Carburetor Overhaul Kit, Part Number 494384.	
42 93630	Retainer, Exhaust Valve Rotocoil	*** Included in both Carburetor Overhaul Kit (Part Number 494384) and Carburetor Gasket Set (Part Number 494386).	
45 262248	Tappet, Valve		
46 212897	Gear, Cam		
51 281170	*** Gasket, Carburetor (Carburetor to Elbow)		
52 270872	* Gasket, Carburetor (Elbow to Cylinder)		

NOTE: All component dimensions given in U.S. inches  
1 inch = 25.4 mm

# REPAIR PARTS

12.5 HP 38" RIDING LAWN TRACTOR - - MODEL NUMBER 917.255521  
 ENGINE BRIGGS & STRATTON - MODEL NUMBER 286707, TYPE 0417-01

KEY PART NO. NO.	DESCRIPTION	KEY PART NO. NO.	DESCRIPTION
265 221535	Clamp, Casing	634 281168	** Seal, Choke Shaft
284 94419	Screw, Clamp Mounting	634A 491323	* Seal, Governor
284A 94326	Screw, Air Cleaner	634B 281167	Washer, Throttle Shaft
304 494268	Housing, Blower	635 66538	Elbow, Spark Plug
305 94619	Screw, Sem, Blower Housing Mounting	646 224486	Brace, Air Cleaner
306 223715	Shield, Cylinder	657 93496	Screw, Sem
307 94623	Screw, Sem, Cylinder Shield Mounting	663 94620	Screw, Hex Head
308 491490	Cover, Cylinder Head	668 280848	Spacer
309 - - -	Motor, Starting (See Chart on Illustrated Pages for Replacement Parts for Starting Motors)	726 399676	Gear, Ring (Includes Mounting Parts)
332 92284	Nut, Hex	727 490324	Cover, Starter (Includes Mounting Screws)
333 492341	Armature, Magneto	728 93535	Screw, Sem
334 93381	Screw, Sem, Armature Mounting	741 262135	Gear, Timing
337 802592	Plug, Spark	757 212359	Link, Counterweight
346 93705	Screw, Hex Head	758 399891	Counterweight Assembly
353 92791	Washer, Lock, Shakeproof	759 298909	Pin, Counterweight
354 90576	Nut, Hex	761 93875	Screw, Counterweight
356 398808	Wire, Ground	842 270920	Seal, Oil Filler Cap
358 494241	Gasket Set	847 490474	Fill Group, Oil
363 19203	Puller, Flywheel	851 221798	Terminal, Ignition Cable
383 89838	Wrench, Spark Plug	869 261463	Seat, Intake Valve, Standard
422 223721	Clamp, Oil Filler Tube	870 210940	Seat, Exhaust Valve, Standard
423 93984	Screw, Sem	871 261961	Guide, Exhaust Valve
445 493909	Cartridge, Air Cleaner	872 281104	Cover, Air Cleaner
455 222561	Cup, Screen Mounting	875 494237	Body, Air Cleaner
467 493903	Knob, Air Cleaner	955 94642	** Screw, Fuel Bowl
468 222562	Screen, Flush Rotating	965 94108	Locknut, Air Cleaner Mounting
474 393295	Stator, Alternator	975 494378	Bowl Assembly, Carburetor
482 93621	Screw, Sem	977 494386	Carburetor Gasket Kit
501 394890	Regulator	985 398525	Insulator Assembly
520 93722	Terminal, Spade	987 281166	** Seal, Throttle Shaft
523 490327	Cap and Dipstick, Oil Filler	1005 280687	Fan, Flywheel
524 68838	Seal, Filler Tube	1006 223726	Retainer, Fan
525 280741	Tube, Oil Filler	1020 262243	Eccentric
526 94513	Screw, Regulator	1021 94160	Pin, Eccentric
535 272403	Element, Air Cleaner		
537 281106	* O-Ring, Air Cleaner	* Included in Gasket Set, Part Number 494241.	
552 231597	Bushing, Governor Crank	** Included in Carburetor Overhaul Kit, Part Number 494384.	
562 92613	Bolt, Governor Lever	*** Included in both Carburetor Overhaul Kit (Part Number 494384) and Carburetor Gasket Set (Part Number 494386).	
592 231082	Nut, Hex #10-24		
601 93053	Clamp, Fuel Pipe		
614 93306	Cotter, Hair Pin		
615 93307	Retainer, E-Ring		
618 262803	Spring, Choke Return		

NOTE: All component dimensions given in U.S. inches  
 1 inch = 25.4 mm