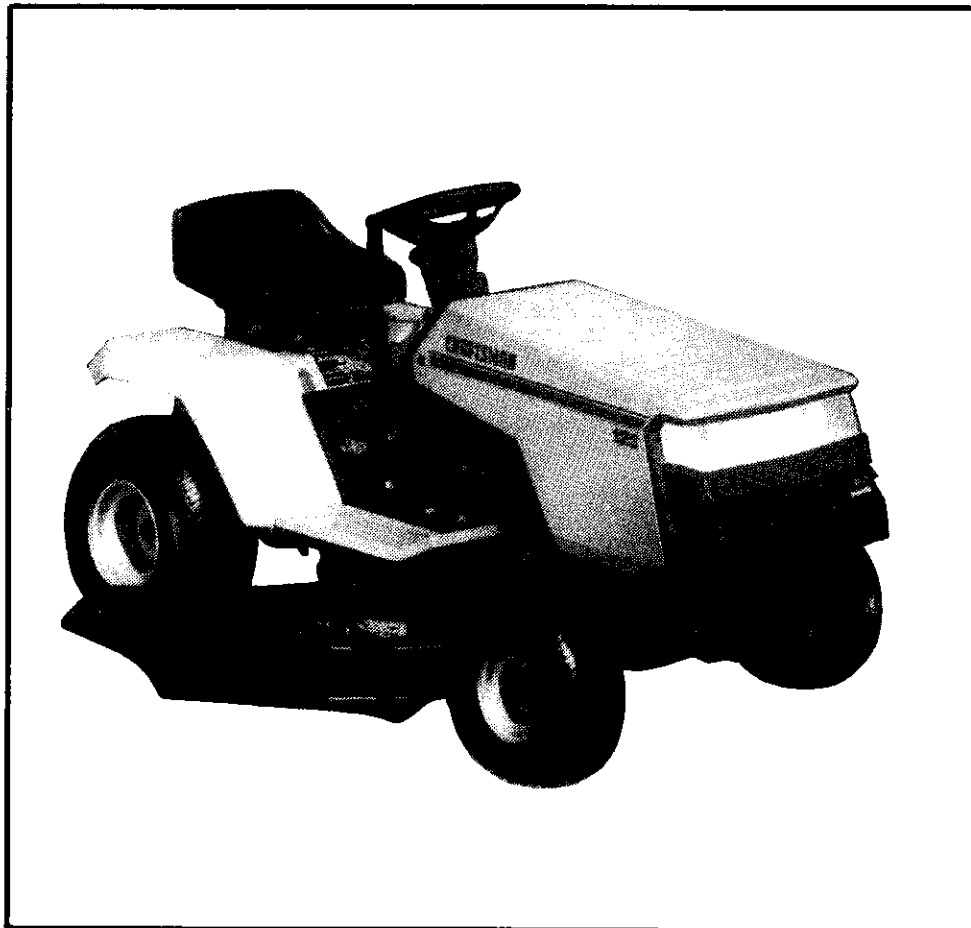


SEARS

**OWNER'S
MANUAL**

**MODEL NO.
917.255560**

Caution:
Read and follow
all Safety Rules
and Instructions
Before Operating
This Equipment



CRAFTSMAN[®]

**12.0 HP IC
ELECTRIC START
38" MOWER DECK
5 SPEED TRANSAXLE
LAWN TRACTOR**

- Assembly
- Operation
- Customer Responsibilities
- Service and Adjustment
- Repair Parts



SAFETY RULES

Safe Operation Practices for Ride-On Mowers



IMPORTANT: THIS CUTTING MACHINE IS CAPABLE OF AMPUTATING HANDS AND FEET AND THROWING OBJECTS. FAILURE TO OBSERVE THE FOLLOWING SAFETY INSTRUCTIONS COULD RESULT IN SERIOUS INJURY OR DEATH.

I. GENERAL OPERATION

- Read, understand, and follow all instructions in the manual and on the machine before starting.
- Only allow responsible adults, who are familiar with the instructions, to operate the machine.
- Clear the area of objects such as rocks, toys, wire, etc., which could be picked up and thrown by the blade.
- Be sure the area is clear of other people before mowing. Stop machine if anyone enters the area.
- Never carry passengers.
- Do not mow in reverse unless absolutely necessary. Always look down and behind before and while backing.
- Be aware of the mower discharge direction and do not point it at anyone. Do not operate the mower without either the entire grass catcher or the guard in place.
- Slow down before turning.
- Never leave a running machine unattended. Always turn off blades, set parking brake, stop engine, and remove keys before dismounting.
- Turn off blades when not mowing.
- Stop engine before removing grass catcher or unclogging chute.
- Mow only in daylight or good artificial light.
- Do not operate the machine while under the influence of alcohol or drugs.
- Watch for traffic when operating near or crossing roadways.
- Use extra care when loading or unloading the machine into a trailer or truck.

II. SLOPE OPERATION

Slopes are a major factor related to loss-of-control and tipover accidents, which can result in severe injury or death. All slopes require extra caution. If you cannot back up the slope or if you feel uneasy on it, do not mow it.

DO:

- Mow up and down slopes, not across.
- Remove obstacles such as rocks, tree limbs, etc.
- Watch for holes, ruts, or bumps. Uneven terrain could overturn the machine. *Tall grass can hide obstacles.*
- Use slow speed. Choose a low gear so that you will not have to stop or shift while on the slope.
- Follow the manufacturer's recommendations for wheel weights or counterweights to improve stability.
- Use extra care with grass catchers or other attachments. These can change the stability of the machine.
- Keep all movement on the slopes *slow* and *gradual*. Do not make sudden changes in speed or direction.
- Avoid starting or stopping on a slope. If tires lose traction, disengage the blades and proceed slowly *straight* down the slope.

DO NOT:

- *Do not* turn on slopes unless necessary, and then, turn slowly and gradually downhill, if possible.
- *Do not* mow near drop-offs, ditches, or embankments. The mower could suddenly turn over if a wheel is over the edge of a cliff or ditch, or if an edge caves in.
- *Do not* mow on wet grass. Reduced traction could cause sliding.
- *Do not* try to stabilize the machine by putting your foot on the ground.
- *Do not* use grass catcher on steep slopes.

III. CHILDREN

Tragic accidents can occur if the operator is not alert to the presence of children. Children are often attracted to the machine and the mowing activity. *Never* assume that children will remain where you last saw them.

- Keep children out of the mowing area and under the watchful care of another responsible adult.
- Be alert and turn machine off if children enter the area.
- Before and when backing, look behind and *down* for small children.
- Never carry children. They may fall off and be seriously injured or interfere with the safe machine operation.
- Never allow children to operate the machine.
- Use extra care when approaching blind corners, shrubs, trees, or other objects that may obscure vision.

IV. SERVICE

- Use extra care in handling gasoline and other fuels. They are flammable and vapors are explosive.
 - Use only an approved container.
 - Never remove gas cap or add fuel with the engine running. Allow engine to cool before refueling. Do not smoke.
 - Never refuel the machine indoors.
 - Never store the machine or fuel container inside where there is an open flame, such as a water heater.
- Never run a machine inside a closed area.
- Keep nuts and bolts, especially blade attachment bolts, tight and keep equipment in good condition.
- Never tamper with safety devices. Check their proper operation regularly.
- Keep machine free of grass, leaves, or other debris build-up. Clean oil or fuel spillage. Allow machine to cool before storing.
- Stop and inspect the equipment if you strike an object. Repair, if necessary, before restarting.
- Never make adjustments or repairs with the engine running.
- Grass catcher components are subject to wear, damage, and deterioration, which could expose moving parts or allow objects to be thrown. Frequently check components and replace with manufacturer's recommended parts, when necessary.
- Mower blades are sharp and can cut. Wrap the blade(s) or wear gloves, and use extra caution when servicing them.
- Check brake operation frequently. Adjust and service as required.

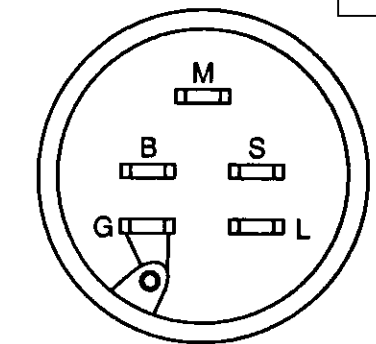
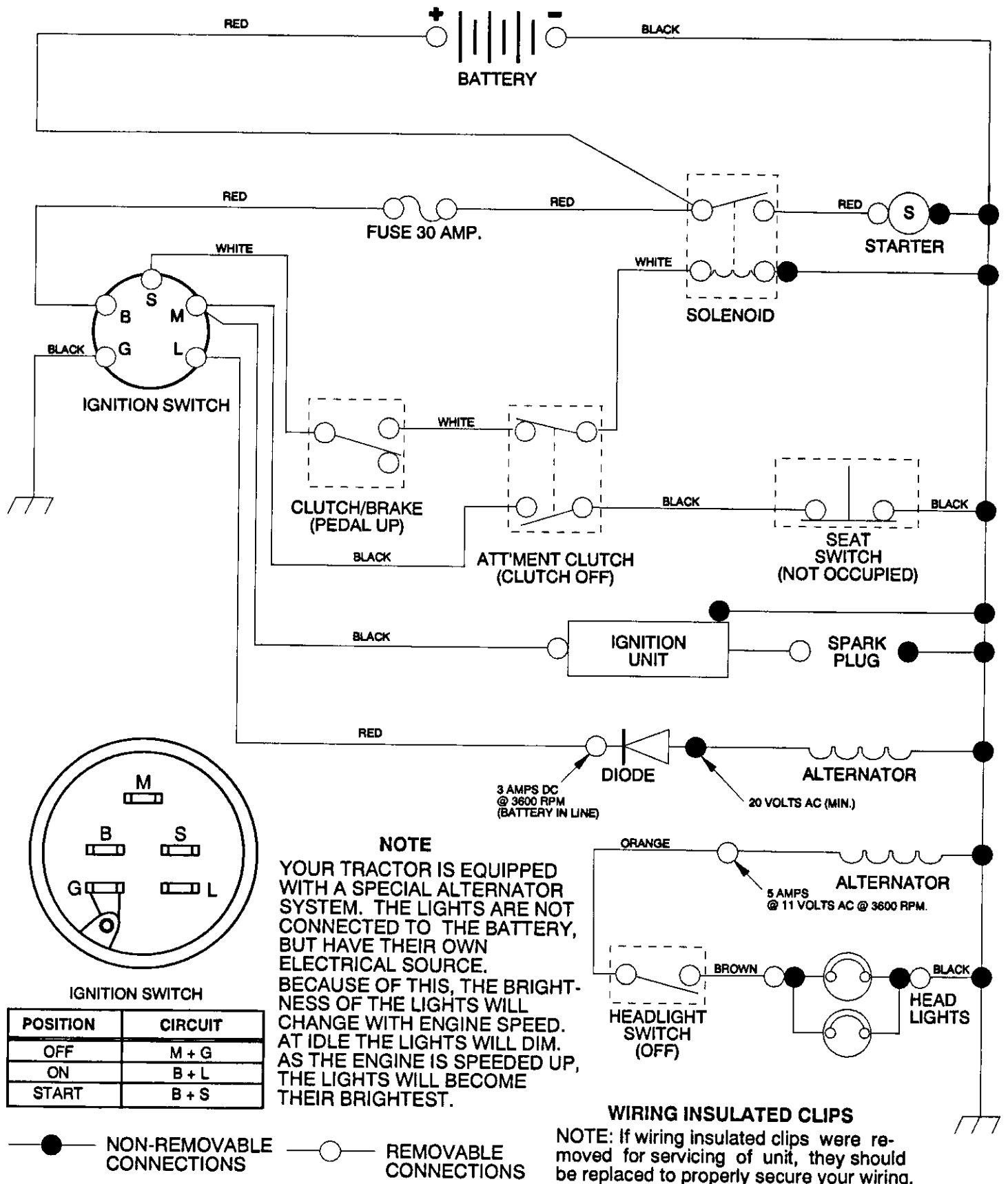


Look for this symbol to point out important safety precautions. It means CAUTION!!! BECOME ALERT!!! YOUR SAFETY IS INVOLVED.



CAUTION: Always disconnect spark plug wire and place wire where it cannot contact spark plug in order to prevent accidental starting when setting up, transporting, adjusting or making repairs.

12 HP 38" RIDING LAWN TRACTOR -- MODEL NUMBER 917.255560 SCHEMATIC



IGNITION SWITCH

POSITION	CIRCUIT
OFF	M + G
ON	B + L
START	B + S

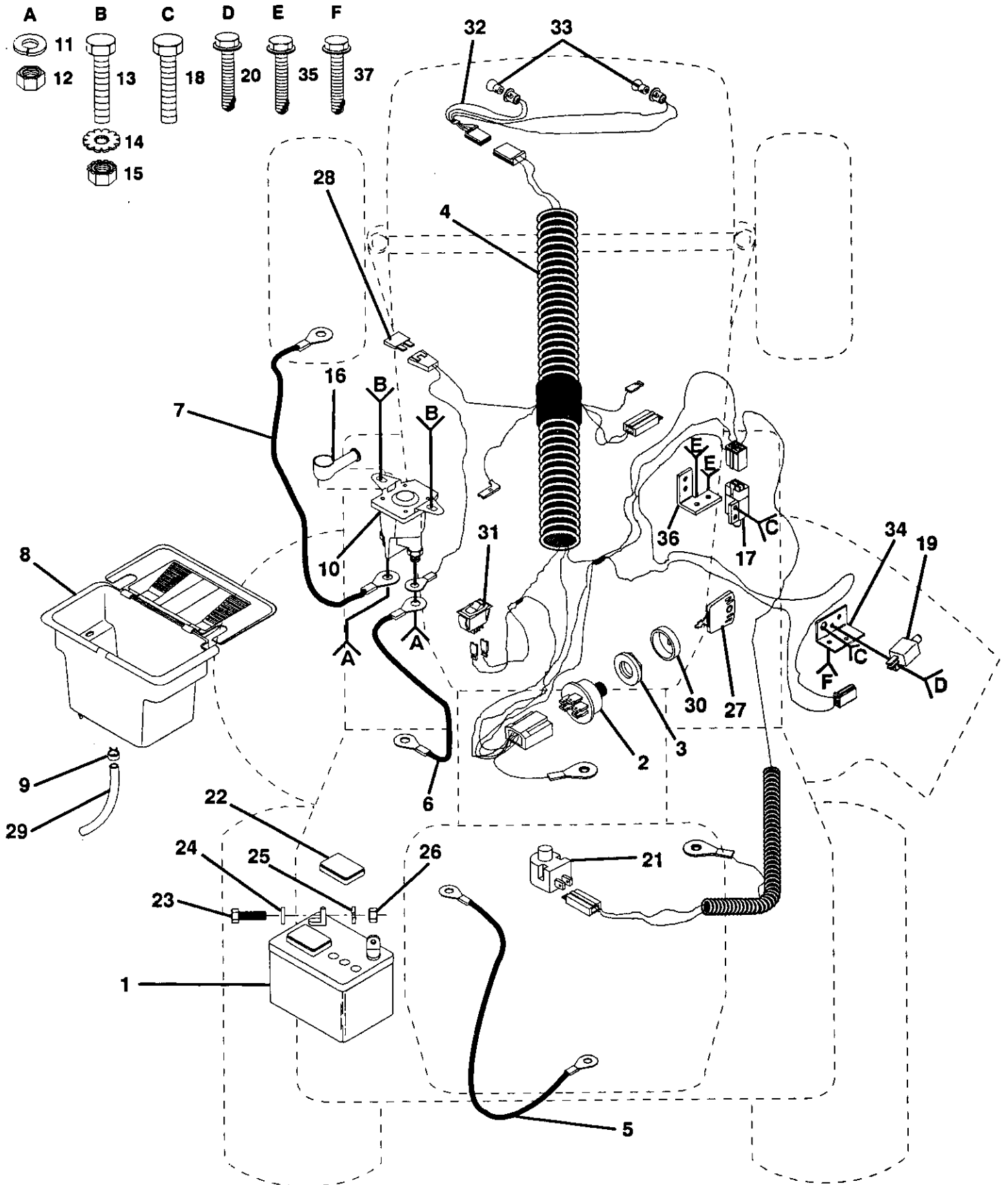
● NON-REMOVABLE CONNECTIONS

○ REMOVABLE CONNECTIONS

REPAIR PARTS

12 HP 38" RIDING LAWN TRACTOR - - MODEL NUMBER 917.255560

ELECTRICAL



REPAIR PARTS

12 HP 38" RIDING LAWN TRACTOR - - MODEL NUMBER 917.255560

ELECTRICAL

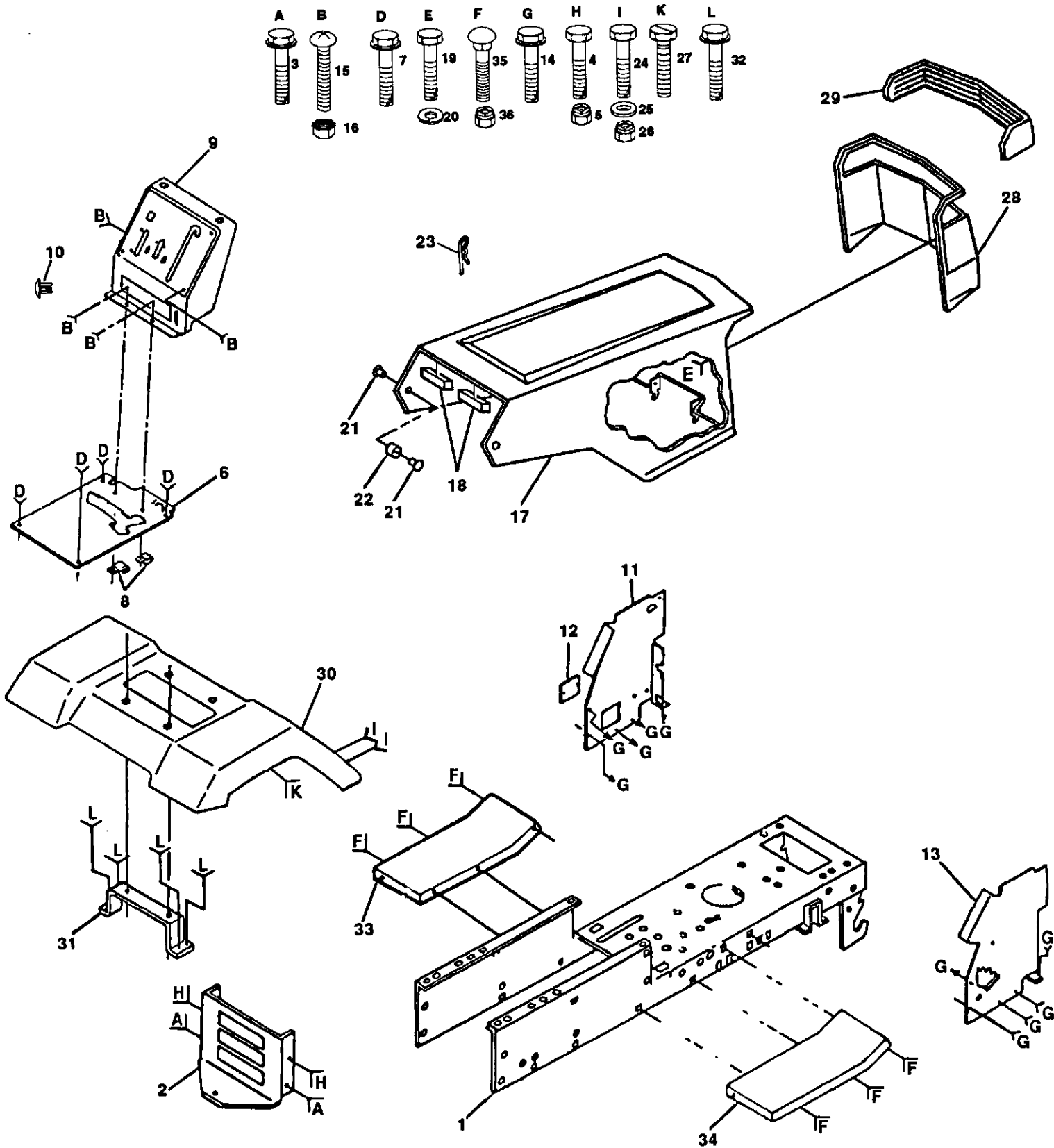
KEY PART NO.	PART NO.	DESCRIPTION
1	121265X	Battery 12 Volt 25 Amp
2	STD365402	* Switch Ign 5 Term Wo/wash/nut
3	124211X	Nut Ignition
4	132017	Harness Ign Bs Dash Headlights
5	4207J	Cable Ground 6ga 12"black
6	132202	Cable Battery 6 Ga 42"red
7	4799J	Cable Battery 6ga 11"red
8	129965	Case Battery Hinge Mechanical
9	109596X	Clamp Hose Olive
10	109081X	Solenoid
11	STD551125	* Washer Lock 1/4
12	73350400	Nut Jam Hex 1/4-20 Unc
13	74780408	Bolt Fin Hex 1/4-20uncx1/2 Gr5
14	STD551225	* Washer Lock Ext Tooth 1/4
15	STD541425	* Nut Keps Hex 1/4-20 Unc
16	131563	Cover Terminal Red
17	109553X	Switch Intlk Clutch Red 4 Term
18	STD601005	* Screw Tap Hex #10-24unc X 1/2
19	104445X	Switch Intlk Clutch Red 2 Term
20	STD601005	* Screw Tap Hex #10-24unc X 1/2
21	121305X	Switch Plunger Nc Gray
22	121264X	Caps Battery 25/30 Amp
23	74760412	Bolt Hex Hd 1/4-20unc X 3/4
24	STD551025	* Washer 9/32 X 5/8 X 16 Ga
25	STD551125	* Washer Lock Hvy Helical 1/4
26	STD541025	* Nut Fin Hex 1/4-20 Unc
27	109310X	Key Ign Molded Craftsman
28	108824X	Fuse 30 Amp Auto Green
29	105687X	Tube Plastic 9"
30	123620X	Cover Sw Key Blk 1 25 Text Slit
31	110712X	Switch Light Blk Blk Red
32	127441X	Harness Socket Light
33	7662J	Bulb Light #1141
34	108236X	Bracket Switch Clutch
35	STD601005	* Screw Tap Hex #10-24unc X 1/2
36	130890	Bracket Switch Interlock
37	STD601005	* Screw Tap Hex #10-24unc X 1/2

* STANDARD HARDWARE - - PURCHASE LOCALLY
NOTE: All component dimensions given in U.S. inches
1 inch = 25.4 mm

REPAIR PARTS

12 HP 38" RIDING LAWN TRACTOR - - MODEL NUMBER 917.255560

CHASSIS AND ENCLOSURES



REPAIR PARTS

12 HP 38" RIDING LAWN TRACTOR - - MODEL NUMBER 917.255560 CHASSIS AND ENCLOSURES

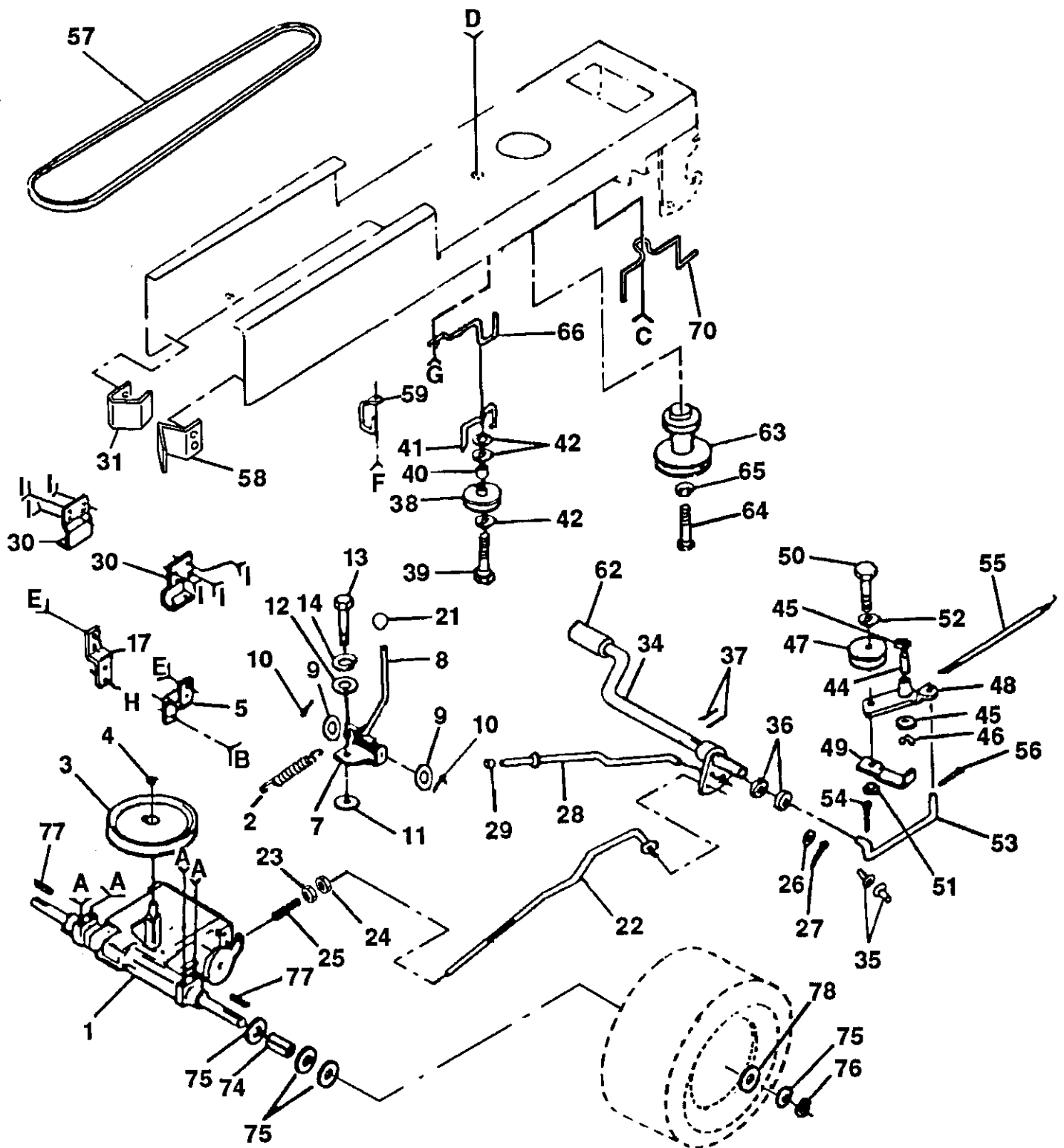
KEY PART NO.	NO.	DESCRIPTION
1	131052	Chassis Weldment 12ga 38/42
2	127866	Drawbar Lt/yt 11 Ga
3	17490612	Screw Thdrol 3/8-16x3/4 Ty-tt
4	STD523707	* Bolt Fin Hex 3/8-16unc X 3/4
5	STD541437	* Nut Crownlock 3/8-16 Unc
6	124465x014	Saddle Silkscreen 5sp English
7	17490608	Screw Thdrol 3/8-16x1/2 Ty-tt
8	2751R	Clip Line Fuel 13/32 Mtg Hole
9	123042X	Dash Silkscreened Sears Eng
10	5479J	Plug Button Blk 359 Dia
11	122795X	Panel Pnt Dash Lh
12	121794X	Cover Access Black Square
13	124031X	Panel Silscr Dash Rh Weldment
14	17490608	Screw Thdrol 3/8-16x1/2 Ty-tt
15	74180512	Screw Mach Trhd 5/16-18uncx3/4
16	STD541431	* Nut Keps 5/16-18 Unc
17	131445x417	Hood Asm Pnt Weld Silver Powde
18	126938X	Bumper Hood
19	STD512505	* Bolt Fin Hex 1/4-20unc X 1/2
20	STD551125	* Washer Lock Hvy Helical 1/4
21	122933X	Rivet Ratchet Nylon
22	124479X	Washer Nylon Blk 28x 75x 19
23	4921H	Retainer Spring
24	STD523707	* Bolt Fin Hex 3/8-16unc X 3/4
25	19131312	Washer 13/32 X 13/16 X 12 Ga
26	STD541437	* Nut Crownlock 3/8-16 Unc
27	17490608	Screw Thdrol 3/8-16x1/2 Ty-tt
28	123915X	Grille Grey
29	124029X	Lens Headlight Bar Clear
30	109872x417	Fender Pnt
31	109873X	Bracket Pnt Fender
32	17490612	Screw Thdrol 3/8-16x3/4 Ty-tt
33	105476x417	Footrest Pnt Lh Perf (silver)
34	105475x417	Footrest Pnt Rh Perf (silver)
35	STD533707	* Bolt Rdhd Sht Sqnk 3/8-16 X3/4
36	STD541437	* Nut Crownlock 3/8-16 Unc

* STANDARD HARDWARE - - PURCHASE LOCALLY
NOTE: All component dimensions given in U.S. inches
1 inch = 25.4 mm

REPAIR PARTS

12 HP 38" RIDING LAWN TRACTOR - - MODEL NUMBER 917.255560

DRIVE



- | | | | | | | | | |
|----------|----------|----------|----------|----------|----------|----------|----------|----------|
| A | B | C | D | E | F | G | H | I |
| | | | | | | | | |
| | | | | | | | | |
| | | | | | | | | |

REPAIR PARTS

12 HP 38" RIDING LAWN TRACTOR - - MODEL NUMBER 917.255560

DRIVE

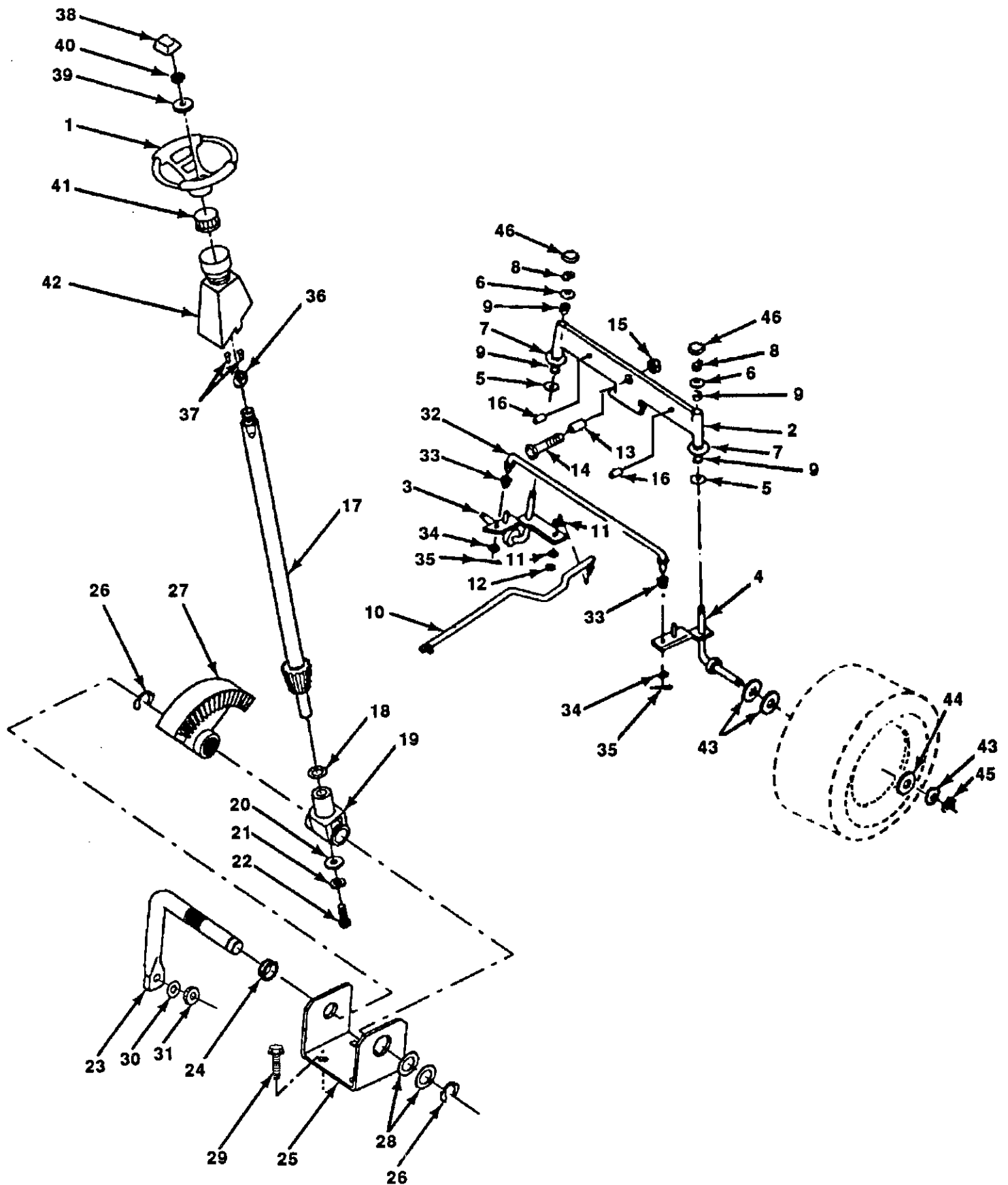
KEY PART NO.	NO.	DESCRIPTION	KEY PART NO.	NO.	DESCRIPTION
1	120897X	Transaxle 5sp Std Dana	42	19131312	Washer 13/32 X 13/16 X 12 Ga
2	110422X	Spring Return Brake T/a Zinc	43	STD541437	* Nut Crownlock 3/8-16 Unc
3	123666X	Pulley Transaxle Alum	44	105706X	Bearing Nyl 503 X 628 X 1 25
4	12000028	Ring Retainer # 5100-62	45	110812X	Washer Hardened
5	121520X	Strap Pnt Torque 30 Deg Blk	46	12000039	Ring Klip #t5304-50
6	17490512	Screw Thdrol 5/16-18 X 3/4 Tyt	47	127783	Pulley Idler V Groove Plastic
7	106919X	Plate Pnt Rod Shift T/a (blk)	48	123789X	Bellcrank Asm
8	124461X	Rod Shifter Blk (dana)	49	123205X	Retainer Belt Style Spring
9	19151216	Washer 15/32 X 3/4 X 16ga	50	STD523715	* Bolt Hex Hd 3/8-16unc X 1-1/2
10	STD561210	* Pin Cotter 1/8 X 1 Cad	51	STD541437	* Nut Crownlock 3/8-16 Unc
11	105701X	Washer Plate Shf 388 Sq Hole	52	STD551037	* Washer 13/32 X 13/16 X 16 Ga
12	19091210	Washer 9/32 X 3/4 X 10 Ga	53	105710X	Link Clutch 7 66
13	71040412	Bolt Fin Hex 1/4-28unfx3/4 Gr8	54	STD561210	* Pin Cotter 1/8 X 3/4 Cad
14	STD551125	* Washer Lock Hvy Helical 1/4	55	105709X	Spring Return Clutch 6 75
15	STD523727	* Bolt Fin Hex 3/8-16unc X 2-3/4	56	STD561210	* Pin Cotter 1/8 X 3/4 Cad
16	STD541437	* Nut Crownlock 3/8-16 Unc	57	125907X	V-belt Ground Drive 90 00
17	121520X	Strap Pnt Torque 30 Deg Blk	58	127274X	Keeper Belt Rh Lt Pnt/zinc 16g
18	STD523707	* Bolt Fin Hex 3/8-16unc X 3/4	59	104777X	Retainer Belt Chassis Lh Zinc
19	STD541437	* Nut Crownlock 3/8-16 Unc	60	19131312	Washer 13/32 X 13/16 X 12 Ga
20	17490512	Screw Thdrol 5/16-18 X 3/4 Tyt	61	17490612	Screw Thdrol 3/8-16x3/4 Ty-tt
21	106933X	Knob Rd 1/2-13 Plstc Thds Blk	62	8883R	Cover Pedal Blk Std
22	131867	Rod Brake Lt	63	131002	Pulley Engine
23	STD541437	* Nut Lock Hex W/wsh 3/8-16unc	64	71130720	Bolt Finhex 7/16-20unfx1-1/4g8
24	STD541237	* Nut Hex Jam 3/8-16 Unc	65	STD551143	* Washer Lock Hvy Hlcl Spr 7/16
25	106888X	Spring Rod Brake 2 00 Zinc	66	129921	Keeper Belt Engine Lh Lt
26	STD551037	* Washer 13/32 X 13/16 X 16 Ga	67	STD523710	* Bolt Fin Hex 3/8-16unc X 1
27	STD561210	* Pin Cotter 1/8 X 3/4 Cad	68	19131312	Washer 13/32 X 13/16 X 12 Ga
28	128904	Rod Brake Parking Lt	69	STD541437	* Nut Crownlock 3/8-16 Unc
29	124236X	Cap Parking Brake Red	70	131402	Guide Belt Dr Mower Rh
30	109167X	Bracket Transmission	71	STD523710	* Bolt Fin Hex 3/8-16unc X 1
31	127275X	Keeper Belt Lh Lt 14 Ga	72	19132012	Washer 13/32 X 1-1/4 X 12 Ga
32	STD523707	* Bolt Fin Hex 3/8-16unc X 3/4	73	STD541437	* Nut Crownlock 3/8-16 Unc
33	STD541437	* Nut Crownlock 3/8-16 Unc	74	109502X	Spacer Split 80x1 94 Cad/zinc
34	122424X	Shaft Asm Pedal Foot 1 930	75	121749X	Washer 25/32 X 1 1/4 X 16 Ga
35	120183X	Bearing Nylon Blk 629 Id	76	STD581075	* Ring E #5133-75
36	STD551062	* Washer 21/32 X 1 X 16 Ga	77	123583X	Key Square 2 0 X 1845/ 1865
37	STD571810	* Pin Roll 3/16 X 1"	78	121748X	Washer 25/32 X 1 5/8 X 16ga
38	123674X	Pulley Idler Flat			
39	STD523727	* Bolt Fin Hex 3/8-16unc X 2-3/4			
40	4470J	Spacer Split 395 X 59 Bzp			
41	109070X	Keeper Belt Retainer			

* STANDARD HARDWARE - - PURCHASE LOCALLY
 NOTE: All component dimensions given in U.S. inches
 1 inch = 25.4 mm

REPAIR PARTS

12 HP 38" RIDING LAWN TRACTOR - - MODEL NUMBER 917.255560

STEERING ASSEMBLY



REPAIR PARTS

12 HP 38" RIDING LAWN TRACTOR - - MODEL NUMBER 917.255560 STEERING ASSEMBLY

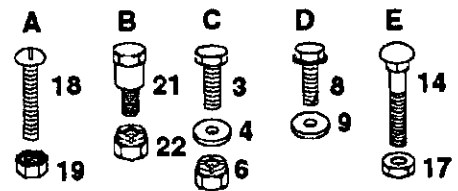
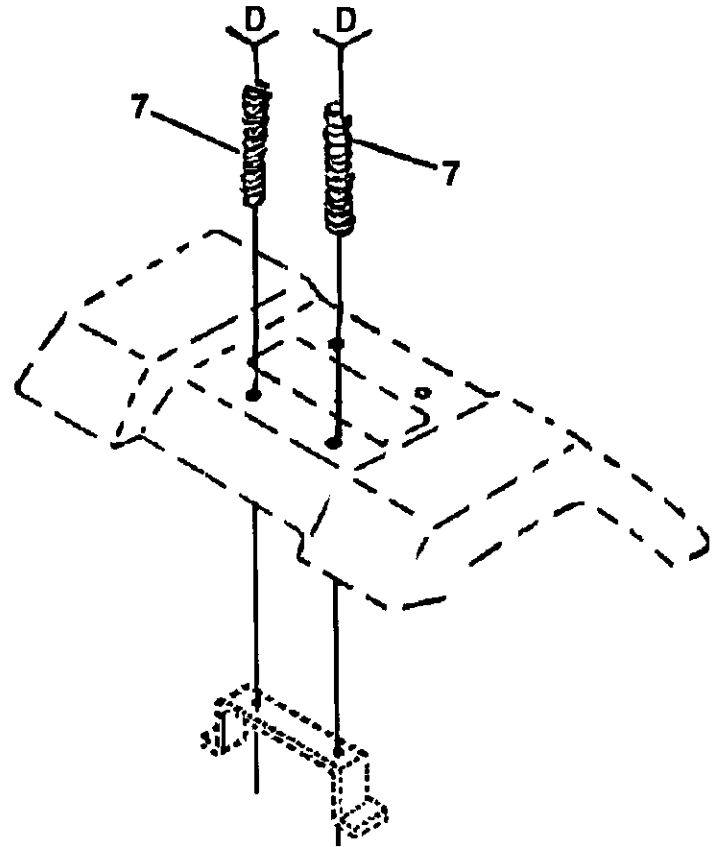
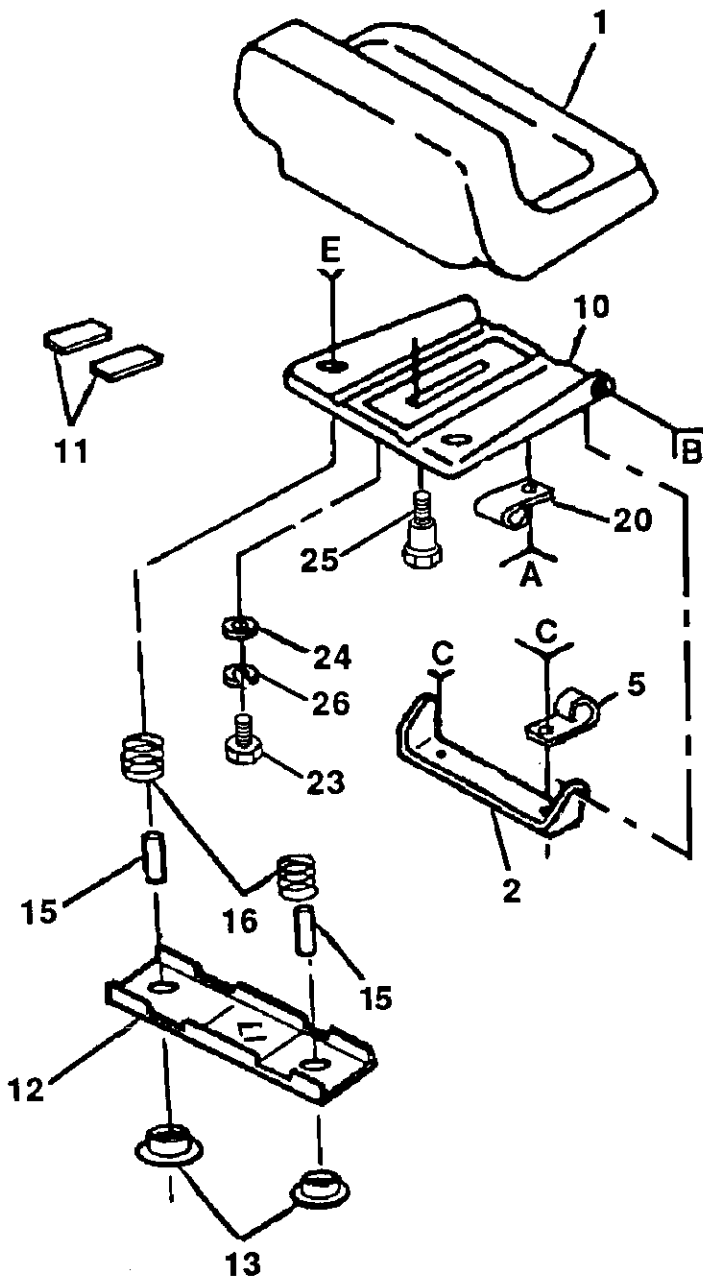
KEY PART NO. NO.	DESCRIPTION
1 100713N	Wheel Steering Std Black
2 105669X	Axle Asm Front
3 130460	Spindle Asm Lh
4 130459	Spindle Asm Rh
5 6266H	Bearing Race Thrust Harden
6 121748X	Washer 25/32 X 1 5/8 X 16ga
7 19272016	Washer 27/32 X 1 1/4 X 16 Ga
8 12000029	Ring Klip #t5304-75
9 3366R	Bearing Col Strg Blk
10 130468	Link Drag Sol Bail Jt 20 064
11 STD551137	* Washer Lock Hvy Hlcl Spr 3/8
12 73610600	Nut Fin Hex 3/8-24 Unf
13 110438X	Spacer Bearing Axle Front
14 74011056	Bolt Hex 5/8-11 Unc X 3-1/2
15 73601000	Nut Hex Jam Lk W/wh 5/8-11 Unc
16 132624	Pin Axle 5/8 X 1 55/1 54 Lg
17 132614	Shaft Asm Strg 5/8 X 15 19 Lt
18 57079	Washer Thrust 515x 750x 033
19 124035X	Support Shaft
20 126684X	Washer Shim 1/4 X 5/8 X 062
21 STD551125	* Washer Lock Hvy Helical 1/4
22 71070410	Screw Hex Socket 1/4-20 X 5/8
23 127501	Shaft Asm Pittman
24 109816X	Nyliner Snap In
25 124036X	Bracket Steering
26 12000029	Ring Klip #t5304-75
27 124034X	Gear Sector
28 6266H	Bearing Race Thrust Harden
29 17490612	Screw Thdrol 3/8-16x3/4 Ty-tt
30 STD551137	* Washer Lock Hvy Hlcl Spr 3/8
31 73610600	Nut Fin Hex 3/8-24 Unf
32 130465	Rod Tie Wire Form 19 75 Mech
33 120754X	Bushing Rod Tie Blk Lt
34 19131416	Washer 13/32 X 7/8 X 16ga
35 STD561210	* Pin Cotter 1/8 X 3/4 Cad
36 132196	Bushing Strg 5/8 Id Dash
37 STD611005	* Screw Slftp #10-16 X 1/2 Ty-b
38 100710L	Insert Cap Strg Wheel Std Blk
39 19133808	Washer 13/32 X 2-3/8 X 8 Ga
40 STD541537	* Nut Lock Center 3/8-24unf
41 104820X	Adaptor Wheel Strg 640/ 635id
42 124417X	Boot Shaft Steering
43 121749X	Washer 25/32 X 1 1/4 X 16 Ga
44 121748X	Washer 25/32 X 1 5/8 X 16ga
45 12000029	Ring Klip #t5304-75
46 121232X	Cap Spindle Fr Top Blk

* STANDARD HARDWARE - - PURCHASE LOCALLY
NOTE: All component dimensions given in U.S. inches
1 inch = 25.4 mm

REPAIR PARTS

12 HP 38" RIDING LAWN TRACTOR - - MODEL NUMBER 917.255560

SEAT ASSEMBLY



KEY PART NO. NO.

DESCRIPTION

1	127436	Seat V250 Blk/red Craftsman
2	126656X	Bracket Pnt Pivot Seat (blk)
3	STD523707	* Bolt Fin Hex 3/8-16unc X 3/4
4	19131210	Washer 13/32 X 3/4 X 10 Ga
5	2751R	Clip Line Fuel 13/32 Mtg Hole
6	STD541437	* Nut Crownlock 3/8-16 Unc
7	124181X	Spring Seat Cprsn 2 250 Blk Zi
8	17490616	Screw Thdrol 3/8-16 X 1 Ty-tt
9	19131614	Washer 13/32 X 1 X 14 Ga
10	124294X	Pan Pnt Seat (blk)
11	121251X	Strip Foam Gray Or Black
12	121246X	Bracket Pnt Mounting Switch
13	121248X	Bushing Snap Blk Nyl 50 Id
14	72050411	Bolt Rdhd Sht Nk 1/4-20x1-3/8
15	121249X	Spacer Split 28 X 88 Zinc

KEY PART NO. NO.

DESCRIPTION

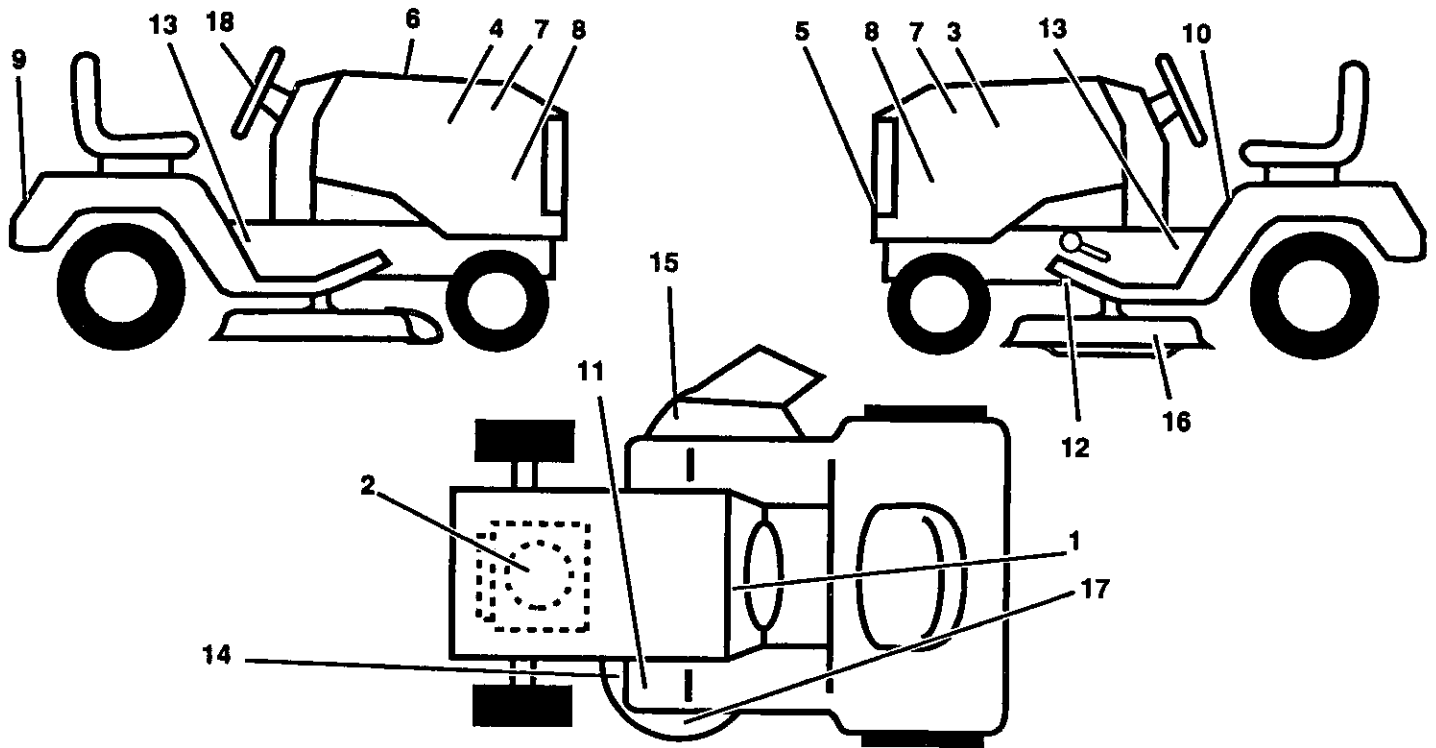
16	121250X	Spring Cprsn 1 27 Blk Pnt
17	123976X	Nut Lock 1/4 Lge Fig Gr 5 Zinc
18	STD511005	* Screw Sltd Pan Hd #10-32 X 1/2
19	73951000	Nut Keps #10-32 Unf
20	4171R	Clip Insulated 11/32 Mtg Hole
21	105529X	Bolt Shoulder 5/16-18 Unc Blkz
22	STD541431	* Nut Crown Lock 5/16-18
23	74780814	Bolt Fin Hex 1/2-13 X 7/8 Gr 5
24	19171912	Washer 17/32 X 1-3/16 X 12 Ga
25	127018X	Bolt Shoulder 5/16-18 X 62
26	STD551150	* Washer Lock Hvy Hlcl Spr 1/2

* STANDARD HARDWARE - - PURCHASE LOCALLY
NOTE: All component dimensions given in U.S. inches
1 inch = 25.4 mm

REPAIR PARTS

12 HP 38" RIDING LAWN TRACTOR - - MODEL NUMBER 917.255560

DECALS



KEY PART NO. NO.

DESCRIPTION

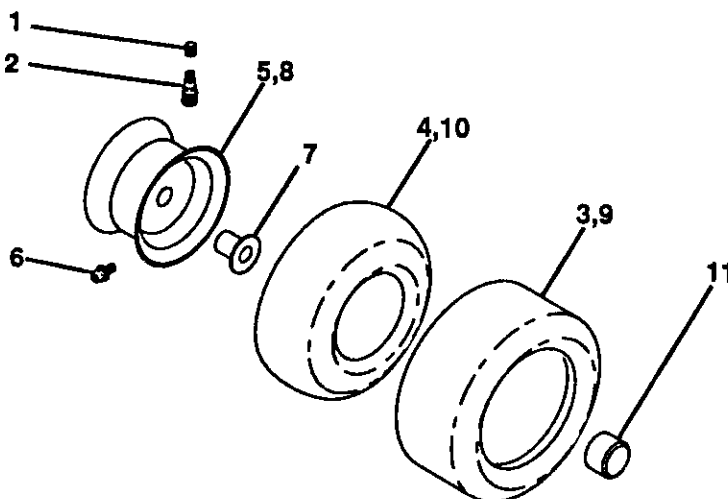
1	108456X	Decal Instruction Operat Eng
2	126685X	Decal Eng 12hp lc B&s Craft
3	124489X	Decal Hood Slope Rh Craftsman
4	124490X	Decal Hood Slope Lh Craftsman
5	132674	Decal Grille Lt4000 Craft Usa
6	133644	Decal Maint Customer Sears Dom
7	126770X	Decal Panel Side12 Hp lc
8	108631X	Decal li(die Cut)
9	125880X	Decal Fender Craftsman Red
10	106974X	Decal Caution English

KEY PART NO. NO.

DESCRIPTION

11	4900J	Decal Clutch/brake English
12	109199X	Decal V-belt Dr Sch Tractor E
13	105809X	Decal Chassis 5 Sp 38"
14	130929	Decal Mower Drive Schematic 38
15	121343X	Decal Danger English
16	3713J	Decal Rota Blades English
17	133179	Decal Mower Qc System
18	132267	Decal Insr Wh Strg Crafts Usa
--	133089	Manual Owners 255560

WHEELS & TIRES



KEY PART NO. NO.

DESCRIPTION

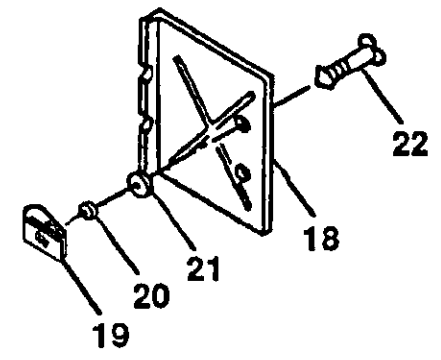
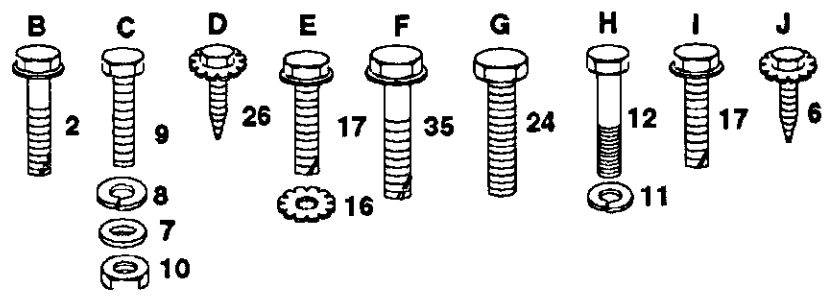
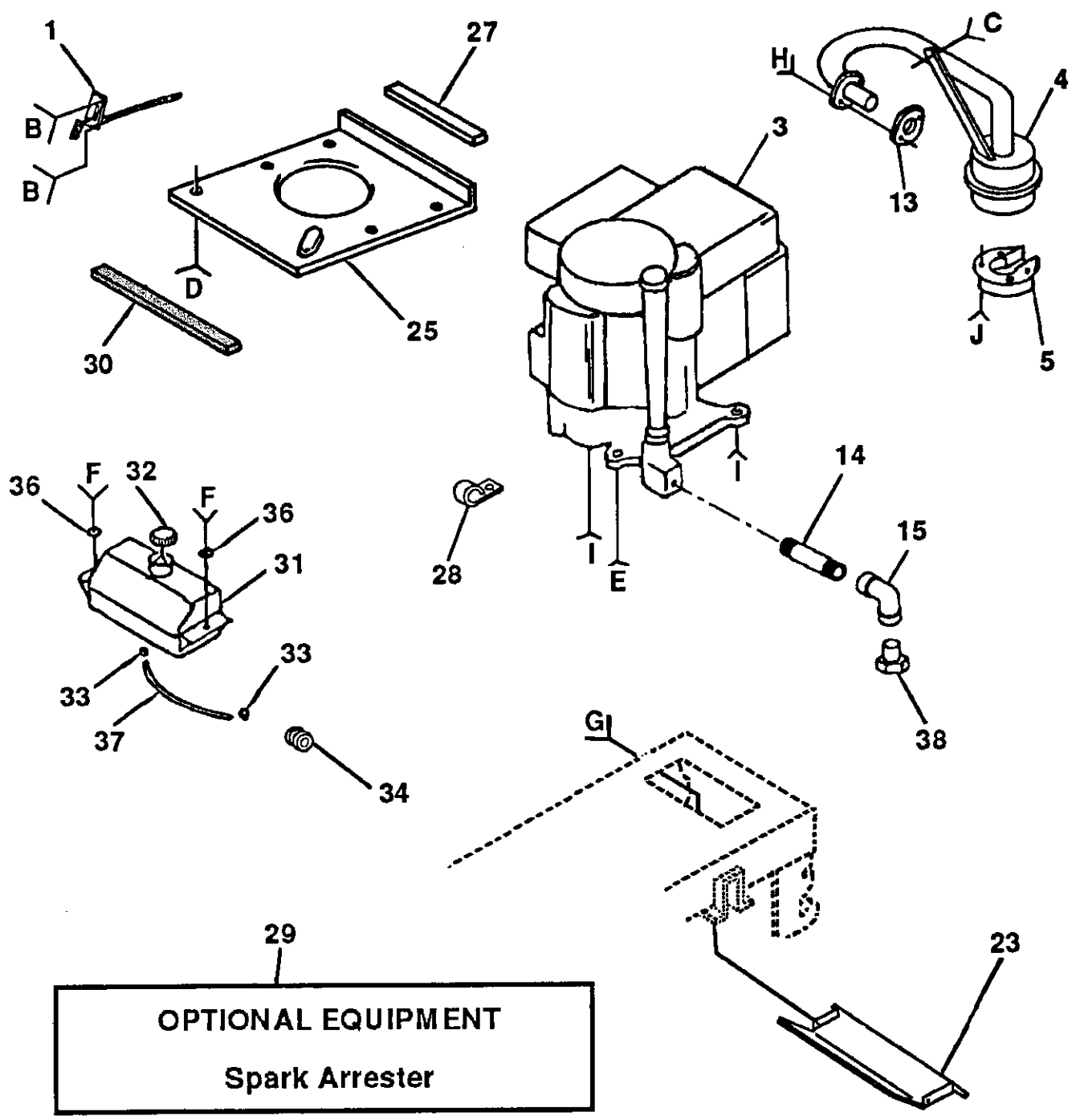
1	59192	Cap Value Tire
2	65139	Stem Value
3	124157X	Tire Front Turf 11(Optional, Service Item Only)
4	59904	Tube Inner Front #35060
5	106732x361	Rim Asm 6"front Silver Service
6	278H	Fitting Grease
7	9040H	Bearing Flange
8	106108x361	Rim Asm 8"rear Silver Service
9	123969X	Tire R Tsii 18x8 5-8 C Service
10	7152J	Tube Rear 9 5 X 8 Service (Optional, Service Item Only)
11	104757X	Cap Axle Blk 1 50 X 1 00

NOTE: All component dimensions given in U.S. inches
1 inch = 25.4 mm

REPAIR PARTS

12 HP 38" RIDING LAWN TRACTOR - - MODEL NUMBER 917.255560

ENGINE



REPAIR PARTS

12 HP 38" RIDING LAWN TRACTOR - - MODEL NUMBER 917.255560 ENGINE

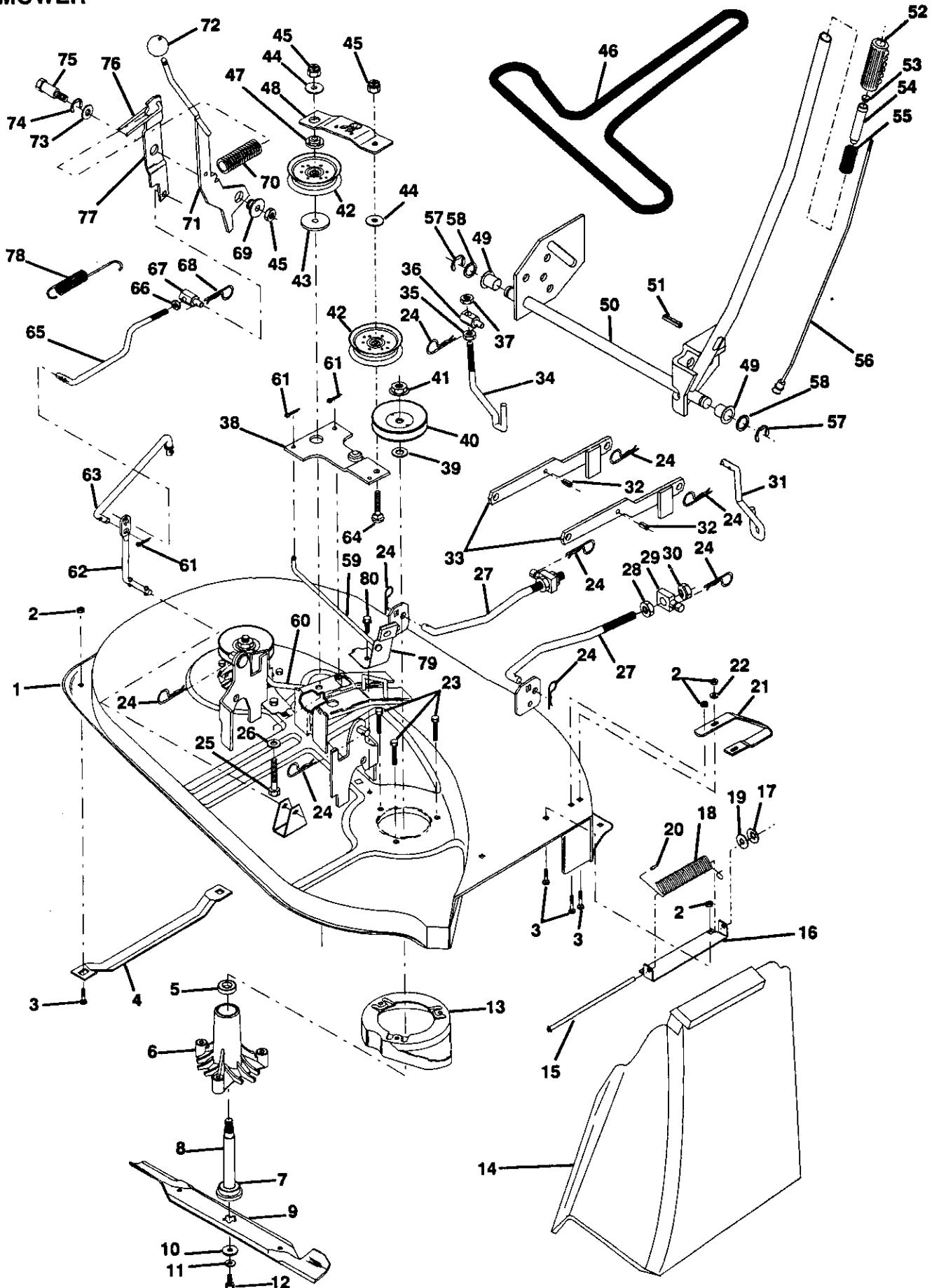
KEY PART NO. NO.	DESCRIPTION
1 132759	Control Throt Rh Blk Pdl 15 10
2 17720410	Screw Hex Thd Cut 1/4-20x5/8 T
3 131951	Engine B&s 12hp 1/c Dual 1 Vt
4 125610X	Muffler Exhaust B&s Lt Std
5 101326L	Deflector Muffler # 222573
6 17030808	Screw Spiderloc Hexhd#8x1/2 Ab
7 STD551025	*Washer 9/32 X 5/8 X 16 Ga
8 STD551125	*Washer Lock Hvy Helical 1/4
9 STD522510	*Bolt Fin Hex 1/4-20 Unc X 1
10 73220500	Nut Fin Hex 5/16-18 Unc
11 STD551131	*Washer Lock Hvy Hlcl Spr 5/16
12 71070510	Screw Hexhd Cap 5/16-18x5/8
13 125593X	Gasket 1 313 Id Tin Plated
14 13280324	Nipple Pipe 3/8 Npt X 3"
15 13200300	Elbow Std 90 Degree 3/8-18 Npt
16 STD551237	*Washer Lock Ext Tooth 3/8
17 17490620	Screw Thdrol 3/8-16x1-1/4 Tytt
18 105736X	Shield Pnt Heat
19 105839X	Receptacle 1/4 Turn Dacrotized
20 105838X	Retainer 1/4 Turn 365odx 222id
21 STD551025	*Washer 9/32 X 5/8 X 16 Ga
22 123650X	Stud 1/4 Turn (replaces 105751
23 128953	Shield Pnt Heat Browning Grass
24 STD601005	*Screw Tap Hex #10-24unc X 1/2
25 124027X	Shield Pnt Heat Hood Lt
26 17030808	Screw Spiderloc Hexhd#8x1/2 Ab
27 105037X	Strip Foam 18"
28 2751R	Clip Line Fuel 13/32 Mtg Hole
29 121851X	Arrestor Spark
30 127057X	Strap Hood
31 109202X	Tank Fuel 1 25 Fr
32 123549X	Cap Asm Fuel W/sym Vented
33 123487X	Clamp Hose Blk
34 124028X	Bushing Snap Nyl Blk Fuel Line
35 17490412	Screw Hexwsh Thdrol 1/4-20x3/4
36 19091416	Washer 9/32 X 7/8 X 16ga
37 101335K	Line Fuel 9 50"
38 - - -	Plug Oil Drain (Order From Engine Manufacturer)

* STANDARD HARDWARE - - PURCHASE LOCALLY
NOTE: All component dimensions given in U.S. inches
1 inch = 25.4 mm

REPAIR PARTS

12 HP 38" RIDING LAWN TRACTOR - - MODEL NUMBER 917.255560

38" MOWER



REPAIR PARTS

12 HP 38" RIDING LAWN TRACTOR - - MODEL NUMBER 917.255560

38" MOWER

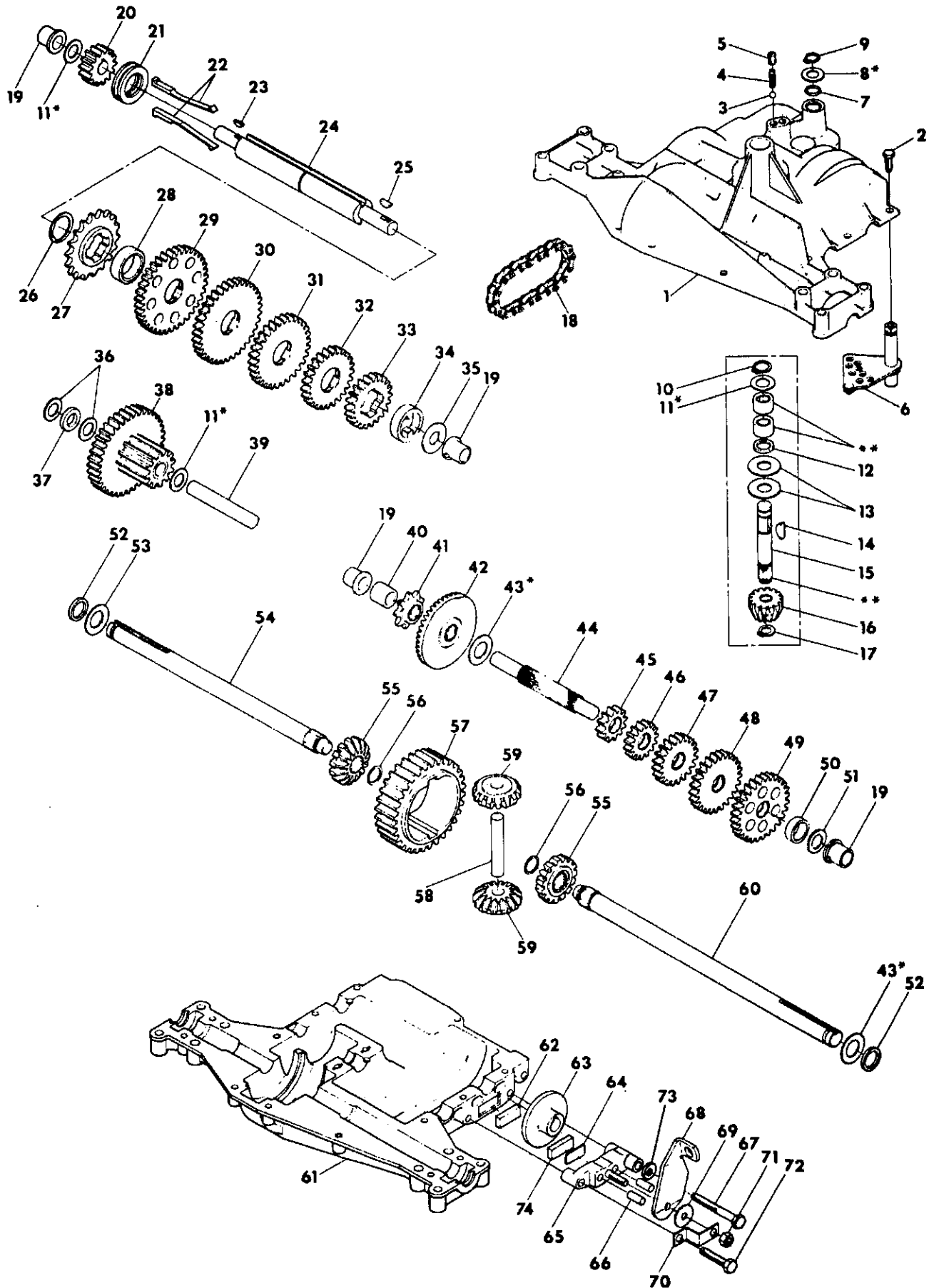
KEY PART NO. NO.	DESCRIPTION	KEY PART NO. NO.	DESCRIPTION
1 129365	Mower Asm 38"welded	45 STD541437	* Nut, Crownlock 3/8-16
2 STD541431	* Nut, Crownlock 5/16-18	46 131290	Belt
3 STD533107	* Bolt, Carriage 5/16-18 x 3/4	47 133502	Spacer, Retainer
4 7631J	Runner, L. H.	48 133503	Stiffener, Arm Idler
5 110485X	Bearing, Ball, Mandrel	49 120183X	Bearing, Nylon
6 128774	Housing Asm., Mandrel Vented (machd)	50 122507X	Shaft Asm., Lift
7 129895	Bearing, Ball	51 105767X	Pin, Groove
8 133172	Shaft and Bearing Asm.	52 125631X	Grip, Handle
9 127842	Blade, Mower, High Performance	53 122365X	Button, Plunger
10 129962	Washer, Hard, Mower, Vented	54 122364X	Plunger, Lever
11 STD551137	* Washer, Lock Hvy 3/8	55 122512X	Spring
12 850857	Bolt, Blade 3/8-24 x 1-1/4 Gr. 8	56 122514X	Rod, Lever
13 128961	Stripper, Mower, Vented	57 STD581062	* Ring, E
14 106736X	Shield, Deflector	58 19211416	Washer 21/32 x 7/8 x 16 Ga.
15 106735X	Rod, Hinge	59 131288	Rod, Brake, R. H.
16 105896X	Bracket, Deflector, Mower	60 131289	Rod, Brake, L. H.
17 110452X	Nut, Push	61 STD560907	* Pin, Cotter 3/32 x 3/4
18 106734X	Spring, Deflector	62 133551	Rod, Pivot
19 19111016	Washer 11/32 x 3/4 x 16 Ga.	63 133504	Rod, Clutch, Secondary
20 105304X	Cap, Sleeve	64 STD533717	* Bolt, Carriage 3/8-16 x 1-3/4
21 128772	Runner, R. H.	65 133550	Rod, Clutch, Primary
22 19111216	Washer 11/32 x 3/4 x 16 Ga.	66 73350600	Nut, Hex Jam 3/8-16
23 78158	Bolt, Mandrel	67 133205	Trunnion 3/8-16
24 STD624008	* Retainer, Spring	68 STD624003	* Retainer, Spring
25 74600636	Bolt, Hex Hd. 3/8-16 x 2.25	69 127498	Bushing
26 851074	Washer, Wear 7 Ga.	70 128759	Spring
27 127218	Link, Front	71 133573	Arm, Clutch Primary Asm.
28 73350800	Nut, Jam Hex 1/2-13	72 106932X	Knob
29 130171	Trunnion	73 121748X	Washer 25/32 x 1-5/8 x 16 Ga.
30 73680800	Nut, Crownlock 1/2-13	74 12000029	Ring, Klip
31 127224	Lift, Link, R. H.	75 128903	Bolt, Shoulder
32 128763	Pin, Spring 5/16-3/4	76 127845	Keeper, Spring
33 133710	Arm, Suspension, Rear Asm.	77 127847	Arm, Clutch, Secondary
34 127223	Link, Lift, R. H.	78 131870	Spring, Return
35 STD541343	* Nut, Hex Jam ASF 7/16-20 UNF	79 130840	Brake Ass., Mower, Vented
36 110447X	Trunnion, Lift	80 17490512	Screw, Hex, Thd. Rol. 5/16-18 x 3/4
37 73710700	Nut, Crownlock Jam 7/16-20 UNF	-- 131529	Deck, Complete Mower
38 133736	Idler Arm Asm.	-- 130794	Mandrel Assembly (Includes Key Numbers 5-8, 10-12, 39 and 41)
39 129963	Washer, Spacer Mower, Vented		
40 129206	Pulley, Mandrel, Single		
41 73050900	Nut, Flangelock 9/16		
42 131494	Pulley, Idler, Flat		
43 122052X	Spacer, Retainer 1-3/4		
44 19131612	Washer 13/32 x 1 x 12 Ga.		

* STANDARD HARDWARE - - PURCHASE LOCALLY

NOTE: All component dimensions given in U.S. inches
1 inch = 25.4 mm

REPAIR PARTS

12 HP 38" RIDING LAWN TRACTOR - - MODEL NUMBER 917.255560
FOOTE/DANA TRANSAXLE - MODEL NUMBER 143.4360-06



REPAIR PARTS

12 HP 38" RIDING LAWN TRACTOR - - MODEL NUMBER 917.255560 FOOTE/DANA TRANSAXLE - MODEL NUMBER 143.4360-06

KEY PART NO. NO.	DESCRIPTION	KEY PART NO. NO.	DESCRIPTION
1	120458X Housing, Upper	41	105928X Sprocket, 9 Teeth
2	2274J Screw, Tapping, Large 1/4-20 x .734	42	110084X Gear, Bevel, 42 Teeth
3	68003 Ball, Detent	43	108983X * Washer, Plain .758 x 1.12 x .010
4	105904X Spring, Detent		105930X * Washer, Plain .758 x 1.12 x .015
5	105905X Screw, Set		105931X * Washer, Plain .758 x 1.12 x .020
6	120460X Shifter Assembly		105932X * Washer, Plain .758 x 1.12 x .025
7	120461X O-Ring		3417J * Washer, Plain .758 x 1.25 x .020
8	120462X * Washer, Plain .505 x .942 x .006		106097X * Washer, Plain .758 x 1.25 x .025
	120463X * Washer, Plain .505 x .942 x .010		2264J * Washer, Plain .758 x 1.25 x .031
	120464X * Washer, Plain .505 x .942 x .015		106098X * Washer, Plain .758 x 1.25 x .035
	120465X * Washer, Plain .505 x .942 x .020		2265J * Washer, Plain .758 x 1.25 x .040
	120466X * Washer, Plain .505 x .942 x .026		106586X * Washer, Plain .758 x 1.25 x .045
	83818 * Washer, Plain .505 x .942 x .030		106587X * Washer, Plain .758 x 1.25 x .050
	120467X * Washer, Plain .505 x .942 x .040		106588X * Washer, Plain .758 x 1.25 x .055
9	2286J Ring, Retaining		2263J * Washer, Plain .758 x 1.25 x .062
10	2267J Ring, Retaining	44	120473X Shaft, Drive
11	3413J * Washer, Plain .632 x 1.00 x .010	45	105933X Gear, Spur, 12 Teeth
	2233J * Washer, Plain .632 x 1.00 x .020	46	120407X Gear, Spur, 20 Teeth
	2232J * Washer, Plain .632 x 1.00 x .026	47	106589X Gear, Spur, 25 Teeth
	2231J * Washer, Plain .632 x 1.00 x .031	48	120408X Gear, Spur, 28 Teeth
	2230J * Washer, Plain .632 x 1.00 x .036	49	105937X Gear, Spur, 31 Teeth
	2229J * Washer, Plain .632 x 1.00 x .041	50	105936X Spacer .781 x 1.00 x .375
	2228J * Washer, Plain .632 x 1.00 x .046	51	2226J Washer, Plain .632 x 1.00 x .060
	2227J * Washer, Plain .632 x 1.00 x .050	52	2227J Seal, Felt
	2226J * Washer, Plain .632 x 1.00 x .060	53	2263J Washer, Plain .758 x 1.25 x .062
	105906X * Washer, Plain .632 x 1.00 x .082	54	120474X Axle, Left Hand
12	6725J O-Ring	55	110081X Gear, Miter, 15 Teeth
13	120415X Washer, Plain .632 x 1.38 x .046	56	105941X Ring, Retaining
14	2257J Key, Woodruff, #9	57	110071X Gear, Spur, 32 Teeth
15	110077X Kit, Input Shaft Assembly	58	120952X Shaft, Cross
16	110078X Pinion, Bevel, 14 Teeth	59	110082X Gear, Miter, 15 Teeth
17	105909X Ring, Retaining	60	120475X Axle, Right Hand
18	105910X Chain, 24 Pitches	61	120476X Housing, Lower
19	105911X Bearing, Flange	62	120961X Puck, Friction
20	108976X Gear, Spur, 14 Teeth	63	7294J Disc, Brake
21	105913X Collar, Clutch	64	108989 Spacer
22	120468X Key, Clutch	65	120953X Jaw, Brake
23	2242J Key, Woodruff, #3	66	120954X Pin, Dowel
24	120469X Shaft, Intermediate	67	120955X Screw, Tapping, Large 5/16-18 x 2.25
25	2244J Key, Woodruff, #61	68	108992X Lever, Actuating
26	105916X Ring, Retaining	69	108996X Washer, Plain .321 x 1.00 x .055
27	120470X Sprocket, 18 Teeth	70	120956X Bracket, Anti-Rotation
28	110070X Spacer	71	73810500 Locknut 5/16-24
29	108977X Gear, Spur, 37 Teeth	72	106596X Screw, Tapping, Large 5/16-18 x 1.44
30	120405X Gear, Spur, 30 Teeth	73	120993X Washer, Plain .343 x .81 x .059
31	108980X Gear, Spur, 25 Teeth	74	120951X Puck, Friction
32	120406X Gear, Spur, 22 Teeth	75	120416X Grease
33	108455X Gear, Spur, 19 Teeth		
34	105923X Spacer 1.133 x 1.50 x .375		
35	105825X Washer, Plain .640 x 1.37 x .061		
36	2232J Washer, Plain .632 x 1.00 x .026		
37	108978X Spacer .630 x 1.00 x .169		
38	110079X Assembly, Gear, Combination of 12 Teeth and 35 Teeth		
39	120471X Shaft, Idler		
40	120472X Spacer .635 x .875 x .755		

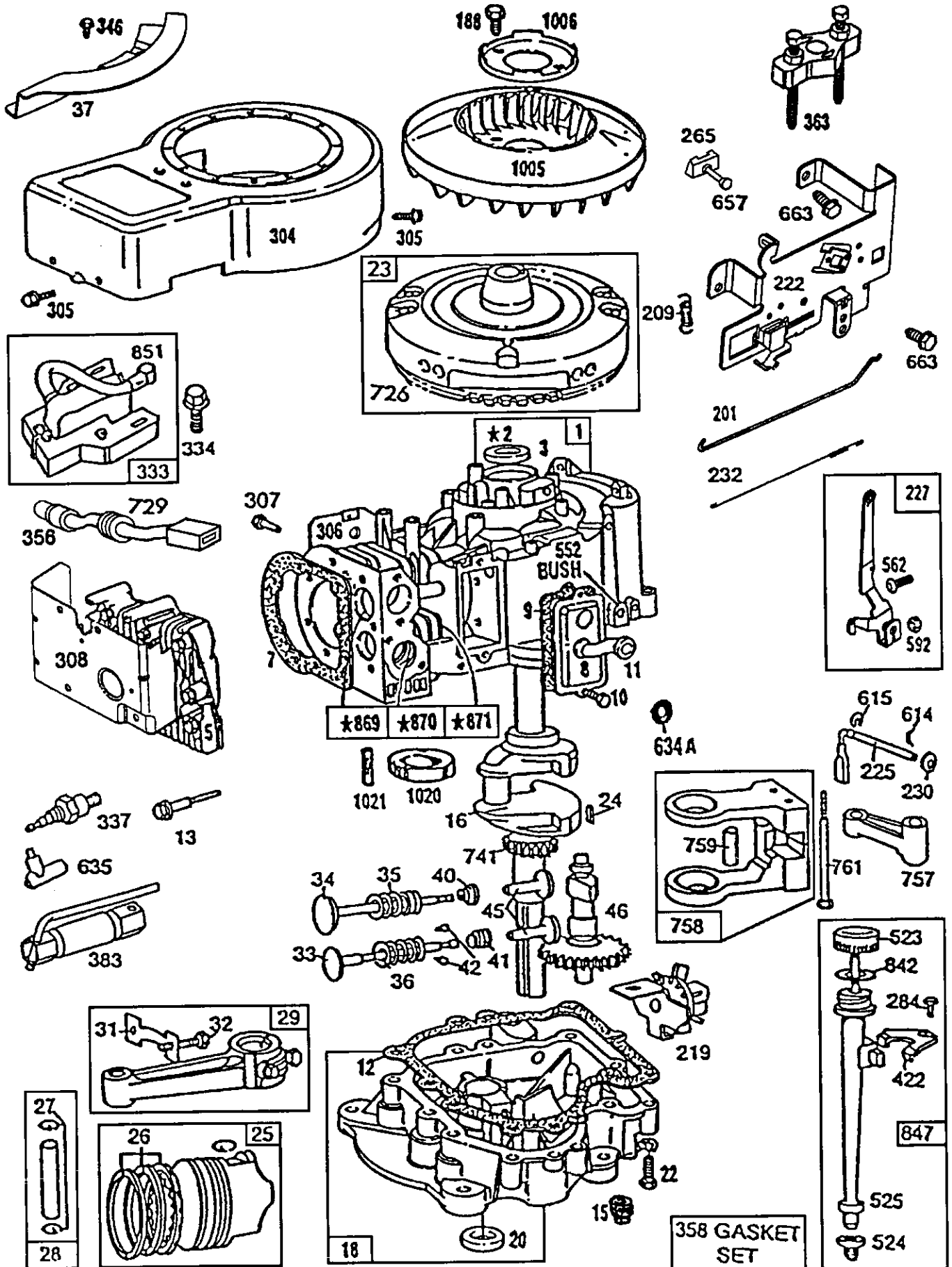
* Use In Various Combinations To Maintain Proper Clearances

** Order Key Number 15

NOTE: All component dimensions given in U.S. inches
1 inch = 25.4 mm

REPAIR PARTS

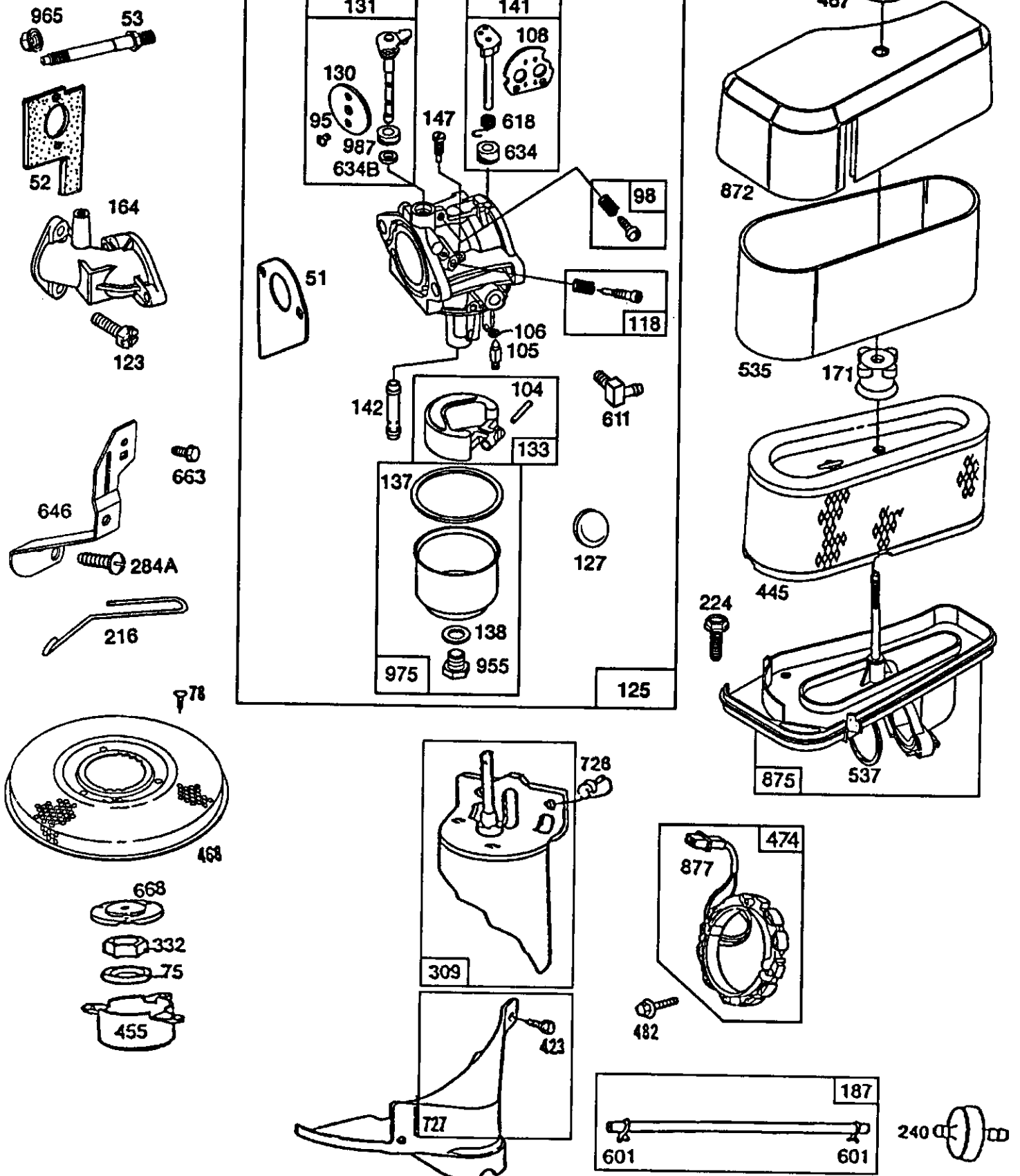
12 HP 38" RIDING LAWN TRACTOR - - MODEL NUMBER 917.255560
BRIGGS & STRATTON ENGINE - MODEL NUMBER 283707, TYPE NUMBER 0217-01



REPAIR PARTS

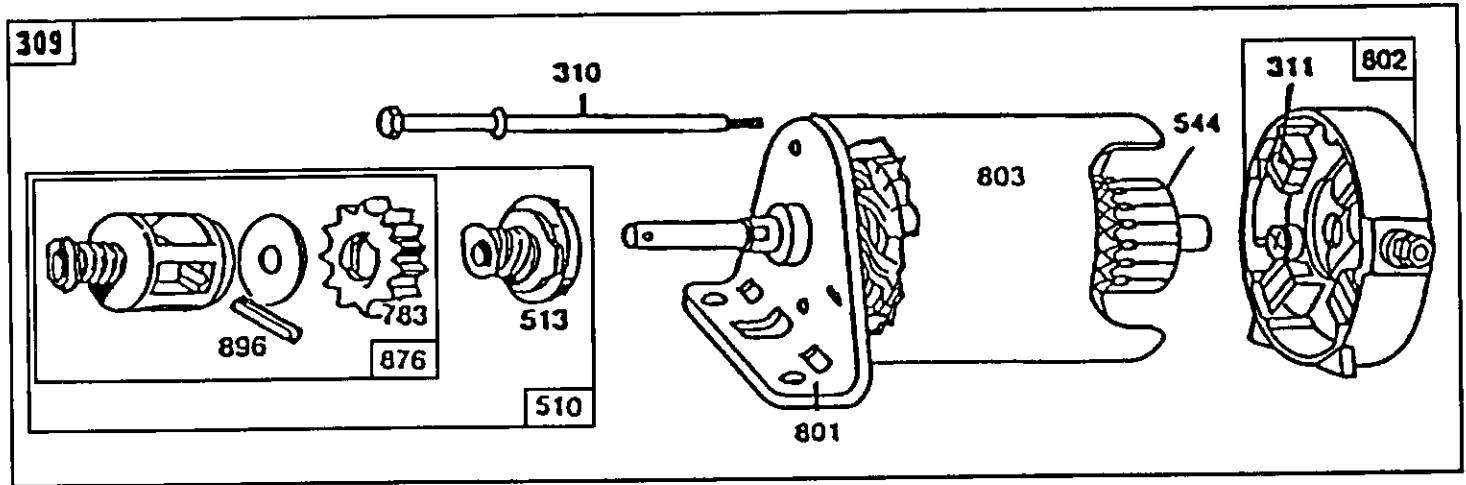
12 HP 38" RIDING LAWN TRACTOR - - MODEL NUMBER 917.255560
BRIGGS & STRATTON ENGINE - MODEL NUMBER 283707, TYPE NUMBER 0217-01

121 CARBURETOR OVERHAUL KIT



REPAIR PARTS

12 HP 38" RIDING LAWN TRACTOR - - MODEL NUMBER 917.255560
 BRIGGS & STRATTON ENGINE - MODEL NUMBER 283707, TYPE NUMBER 0217-01



Reference Number		309	310	311	510	544	801	802	803
Manufacturer		Briggs & Stratton	Briggs & Stratton	Briggs & Stratton	Briggs & Stratton	Briggs & Stratton	Briggs & Stratton	Briggs & Stratton	Briggs & Stratton
Housing Length		12V	3-21/32"						
		394805	94003	395538	490421**	390837	394856	395537*	393825

*Includes Brush Set

**Includes #398003 Clutch Assembly (Ref. No. 513)
 #280104 Gear (Ref. No. 783)
 #490467 Retainer and Pin (Ref. No. 876)
 # 94288 Roll Pin (Ref. No. 896)

REPAIR PARTS

12 HP 38" RIDING LAWN TRACTOR - - MODEL NUMBER 917.255560
BRIGGS & STRATTON ENGINE - MODEL NUMBER 283707, TYPE NUMBER 0217-01

KEY PART NO. NO.	DESCRIPTION	KEY PART NO. NO.	DESCRIPTION
1 490450	Cylinder Assembly	53 94637	Stud, Carburetor Mounting
2 399265	Bearing, Cylinder (Requires Special Tools For Installation)	75 224061	Washer, Spring
3 391086	* Seal, Oil	78 93805	Screw, Sems
5 494240	Head, Cylinder	95 94098	** Screw, Throttle
7 271866	* Gasket, Cylinder Head	98 494382	Screw, Idle Speed
8 391406	Breather Assembly	104 231789	** Pin, Float Hinge
9 27803	* Gasket, Valve Cover	105 231790	** Valve Assembly, Inlet Needle Inlet, Valve Seat
10 93394	Screw, Sems	106 281169	Valve, Choke
11 280100	Tube, Breather	108 224540	** Valve, Needle
12 271916	* Gasket, Crankcase Cover 1/64"	118 494383	Carburetor Overhaul Kit
271997	* Gasket, Crankcase Cover .005"	121 494384	Screw, Elbow Mounting
271996	* Gasket, Crankcase Cover .009"	123 94616	Carburetor Assembly
13 93723	Screw, Cylinder Head	125 494502	** Plug, Welch (Sold in Kit Only)
15 94239	Plug, Oil Drain	127 - - -	Valve, Throttle
16 490466	Crankshaft	130 224539	Shaft and Lever, Throttle
94196	Key, Timing Gear	131 494379	Float, Carburetor
18 494238	Base, Engine	133 494381	*** Gasket, Float Bowl
20 291675	* Seal, Oil	137 281165	*** Washer, Float Bowl Screw
22 94305	Screw, Sems, Base Mounting	138 281164	** Shaft and Lever, Choke
23 492326	Flywheel and Ring Gear Assembly, Magneto	141 494380	** Nozzle / Jet, Carburetor
24 222698	Key, Flywheel	142 494537	High Altitude Kit:
25 394661	Piston Assembly, Standard	494499	231796 Pilot, Jet, High Altitude
394662	Piston Assembly .010" Oversize	147 231794	281164 Seal, Bowl Screw
394663	Piston Assembly .020" Oversize	164 213819	** Pilot, Jet
394664	Piston Assembly .030" Oversize	171 281051	Carburetor, Elbow
26 391780	Ring Set, Piston, Standard Size	187 393815	Nut, Air Cleaner Mounting
392331	Ring Set, Piston, Chrome, Standard	188 93535	Line, Fuel
391781	Ring Set, Piston .010" Oversize	201 262767	Screw, Sems
391782	Ring Set, Piston .020" Oversize	209 260871	Link, Governor
391783	Ring Set, Piston .030" Oversize	216 262766	Spring, Governor
27 260924	Lock, Piston Pin	219 490815	Link, Choke
28 299691	Pin Assembly, Piston, Standard	222 494887	Oil Slinger, Governor Gear and Bracket Assembly
391286	Pin Assy., Piston .005" Oversize	224 94513	Plate, Governor Control (Choke-A-Matic)
29 490348	Rod Assembly, Connecting	225 231058	Screw, Sems, Air Cleaner
490469	Rod Assembly, Connecting, .020" Undersize Crankpin Bore	227 493935	Crank, Governor
31 222299	Lock, Connecting Rod Screw	230 222450	Lever Assembly, Governor
32 92909	Screw, Connecting Rod	232 262785	Washer, Governor Crank
33 262246	Valve, Exhaust	240 394358	Spring, Governor Link
34 262247	Valve, Intake		Filter, Fuel
35 65906	Spring, Intake Valve		
36 26828	Spring, Exhaust Valve		
37 223752	Guard, Flywheel		
40 221596	Retainer, Intake Valve	* Included in Gasket Set (494241)	
41 292260	Rotocoil, Exhaust Valve	** Included in Carburetor Overhaul Kit (494384)	
42 93630	Retainer, Exhaust Valve Rotocoil	*** Included in both Carburetor Overhaul Kit (494384) and Carburetor Gasket Set (494385)	
45 262248	Tappet, Valve		
46 212897	Gear, Cam		
51 272465	*** Gasket, Carburetor (Carburetor to Elbow)		
52 270872	* Gasket, Carburetor (Elbow to Cylinder)		

NOTE: All component dimensions given in U.S. inches
1 inch = 25.4 mm

REPAIR PARTS

12 HP 38" RIDING LAWN TRACTOR - - MODEL NUMBER 917.255560
BRIGGS & STRATTON ENGINE - MODEL NUMBER 283707, TYPE NUMBER 0217-01

KEY PART NO. NO.	DESCRIPTION	KEY PART NO. NO.	DESCRIPTION
265 221535	Clamp, Casing	635 66538	Elbow, Spark Plug
284 94419	Screw, Clamp Mounting	646 224546	Brace, Air Cleaner
284A 94326	Screw, Air Cleaner	657 93496	Screw, Sems
304 494269	Housing, Blower	663 94620	Screw, Hex Head
305 94608	Screw, Sems, Blower Housing Mounting	668 280848	Spacer
306 224545	Shield, Cylinder	726 392134	Gear, Ring (Includes Mounting Parts)
307 93949	Screw, Sems, Cylinder Shield Mounting	727 490324	Cover, Starter (Includes Mounting Screws)
308 491490	Cover, Cylinder Head	728 94627	Screw, Sems
309 - - -	Motor, Starting (See Chart on Illustrated Pages for Replacement Parts for Starting Motors)	729 281159	Clip, Lead Wire
332 92284	Nut, Hex	741 262135	Gear, Timing
333 492341	Armature, Magneto	757 212359	Link, Counterweight
334 93381	Screw, Sems, Armature Mounting	758 399891	Counterweight Assembly
337 802592	Plug, Spark	759 298909	Pin, Counterweight
346 93705	Screw, Hex Head	761 93875	Screw, Counterweight
356 494328	Wire, Ground	842 270920	Seal, Oil Filler Cap
358 494241	Gasket Set	847 490474	Fill Group, Oil
363 19203	Puller, Flywheel	851 221798	Terminal, Ignition Cable
383 89838	Wrench, Spark Plug	869 261463	Seat, Intake Valve, Standard
422 223721	Clamp, Oil Filler Tube	870 213316	Seat, Exhaust Valve, Standard
423 94073	Screw, Sems	871 261961	Guide, Exhaust Valve
445 493909	Cartridge, Air Cleaner	872 281104	Cover, Air Cleaner
455 222561	Cup, Screen Mounting	875 494237	Body, Air Cleaner
467 493903	Knob, Air Cleaner	877 393456	Diode and Connector Assembly, Dual Circuit
468 222562	Screen, Flush Rotating	955 94642	** Screw, Fuel Bowl
474 393474	Stator, Alternator	965 94108	Locknut, Air Cleaner Mounting
482 93621	Screw, Sems	975 494378	Bowl Assembly, Carburetor
523 490327	Cap and Dipstick, Oil Filler	977 494385	Carburetor Gasket Kit
524 68838	Seal, Filler Tube	987 281166	** Seal, Throttle Shaft
525 280741	Tube, Oil Filler	1005 280687	Fan, Flywheel
535 272403	Element, Air Cleaner	1006 224413	Retainer, Fan
537 281106	* O-Ring, Air Cleaner	1020 262243	Eccentric
552 231597	Bushing, Governor Crank	1021 94160	Pin, Eccentric
562 92613	Bolt, Governor Lever		
592 231082	Nut, Hex #10-24		
601 93053	Clamp, Fuel Pipe		
611 494451	Fuel Inlet Tube		
614 93306	Cotter, Hair Pin		
615 93307	Retainer, E-Ring		
618 262803	Spring, Choke Return		
634 281168	** Seal, Choke Shaft		
634A 491323	* Seal, Governor		
634B 281167	Washer, Throttle Shaft		

* Included in Gasket Set (494241)
 ** Included in Carburetor Overhaul Kit (494384)
 *** Included in both Carburetor Overhaul Kit (494384) and Carburetor Gasket Set (494385)

NOTE: All component dimensions given in U.S. inches
 1 inch = 25.4 mm