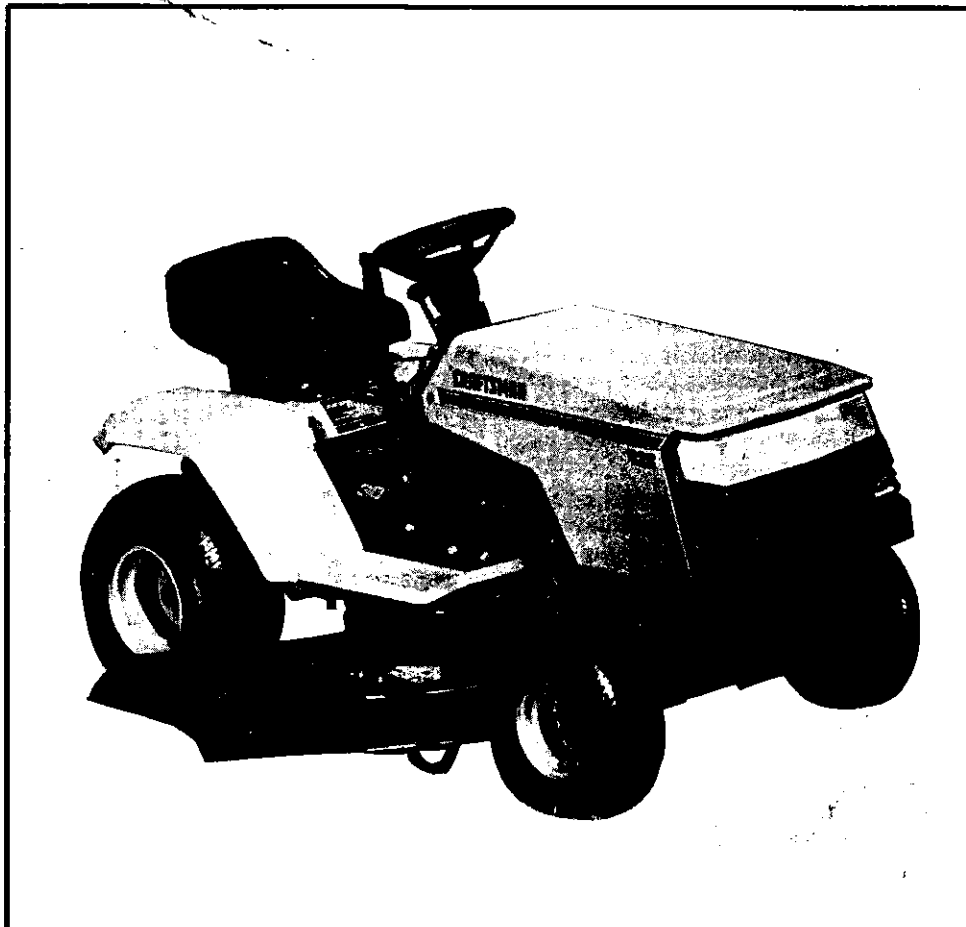


SEARS

**OWNER'S
MANUAL**

**MODEL NO.
917.255561**

Caution:
Read and follow
all Safety Rules
and Instructions
Before Operating
This Equipment



CRAFTSMAN[®]

**12.0 HP IC
ELECTRIC START
38" MOWER DECK
5 SPEED TRANSAXLE
LAWN TRACTOR**

- Assembly
- Operation
- Customer Responsibilities
- Service and Adjustment
- Repair Parts

Sears, Roebuck and Co., Chicago, IL 60684 U.S.A.



SAFETY RULES

Safe Operation Practices for Ride-On Mowers



IMPORTANT: THIS CUTTING MACHINE IS CAPABLE OF AMPUTATING HANDS AND FEET AND THROWING OBJECTS. FAILURE TO OBSERVE THE FOLLOWING SAFETY INSTRUCTIONS COULD RESULT IN SERIOUS INJURY OR DEATH.

I. GENERAL OPERATION

- Read, understand, and follow all instructions in the manual and on the machine before starting.
- Only allow responsible adults, who are familiar with the instructions, to operate the machine.
- Clear the area of objects such as rocks, toys, wire, etc., which could be picked up and thrown by the blade.
- Be sure the area is clear of other people before mowing. Stop machine if anyone enters the area.
- Never carry passengers.
- Do not mow in reverse unless absolutely necessary. Always look down and behind before and while backing.
- Be aware of the mower discharge direction and do not point it at anyone. Do not operate the mower without either the entire grass catcher or the guard in place.
- Slow down before turning.
- Never leave a running machine unattended. Always turn off blades, set parking brake, stop engine, and remove keys before dismounting.
- Turn off blades when not mowing.
- Stop engine before removing grass catcher or unclogging chute.
- Mow only in daylight or good artificial light.
- Do not operate the machine while under the influence of alcohol or drugs.
- Watch for traffic when operating near or crossing roadways.
- Use extra care when loading or unloading the machine into a trailer or truck.

II. SLOPE OPERATION

Slopes are a major factor related to loss-of-control and tipover accidents, which can result in severe injury or death. All slopes require extra caution. If you cannot back up the slope or if you feel uneasy on it, do not mow it.

DO:

- Mow up and down slopes, not across.
- Remove obstacles such as rocks, tree limbs, etc.
- Watch for holes, ruts, or bumps. Uneven terrain could overturn the machine. *Tall grass can hide obstacles.*
- Use slow speed. Choose a low gear so that you will not have to stop or shift while on the slope.
- Follow the manufacturer's recommendations for wheel weights or counterweights to improve stability.
- Use extra care with grass catchers or other attachments. These can change the stability of the machine.
- Keep all movement on the slopes *slow* and *gradual*. Do not make sudden changes in speed or direction.
- Avoid starting or stopping on a slope. If tires lose traction, disengage the blades and proceed slowly *straight* down the slope.

DO NOT:

- Do not turn on slopes unless necessary, and then, turn slowly and gradually downhill, if possible.
- Do not mow near drop-offs, ditches, or embankments. The mower could suddenly turn over if a wheel is over the edge of a cliff or ditch, or if an edge caves in.
- Do not mow on wet grass. Reduced traction could cause sliding.
- Do not try to stabilize the machine by putting your foot on the ground.
- Do not use grass catcher on steep slopes.

III. CHILDREN

Tragic accidents can occur if the operator is not alert to the presence of children. Children are often attracted to the machine and the mowing activity. *Never* assume that children will remain where you last saw them.

- Keep children out of the mowing area and under the watchful care of another responsible adult.
- Be alert and turn machine off if children enter the area.
- Before and when backing, look behind and *down* for small children.
- Never carry children. They may fall off and be seriously injured or interfere with safe machine operation.
- Never allow children to operate the machine.
- Use extra care when approaching blind corners, shrubs, trees, or other objects that may obscure vision.

IV. SERVICE

- Use extra care in handling gasoline and other fuels. They are flammable and vapors are explosive.
 - Use only an approved container.
 - Never remove gas cap or add fuel with the engine running. Allow engine to cool before refueling. Do not smoke.
 - Never refuel the machine indoors.
 - Never store the machine or fuel container inside where there is an open flame, such as a water heater.
- Never run a machine inside a closed area.
- Keep nuts and bolts, especially blade attachment bolts, tight and keep equipment in good condition.
- Never tamper with safety devices. Check their proper operation regularly.
- Keep machine free of grass, leaves, or other debris build-up. Clean oil or fuel spillage. Allow machine to cool before storing.
- Stop and inspect the equipment if you strike an object. Repair, if necessary, before restarting.
- Never make adjustments or repairs with the engine running.
- Grass catcher components are subject to wear, damage, and deterioration, which could expose moving parts or allow objects to be thrown. Frequently check components and replace with manufacturer's recommended parts, when necessary.
- Mower blades are sharp and can cut. Wrap the blade(s) or wear gloves, and use extra caution when servicing them.
- Check brake operation frequently. Adjust and service as required.



Look for this symbol to point out important safety precautions. It means CAUTION!!! BECOME ALERT!!! YOUR SAFETY IS INVOLVED.

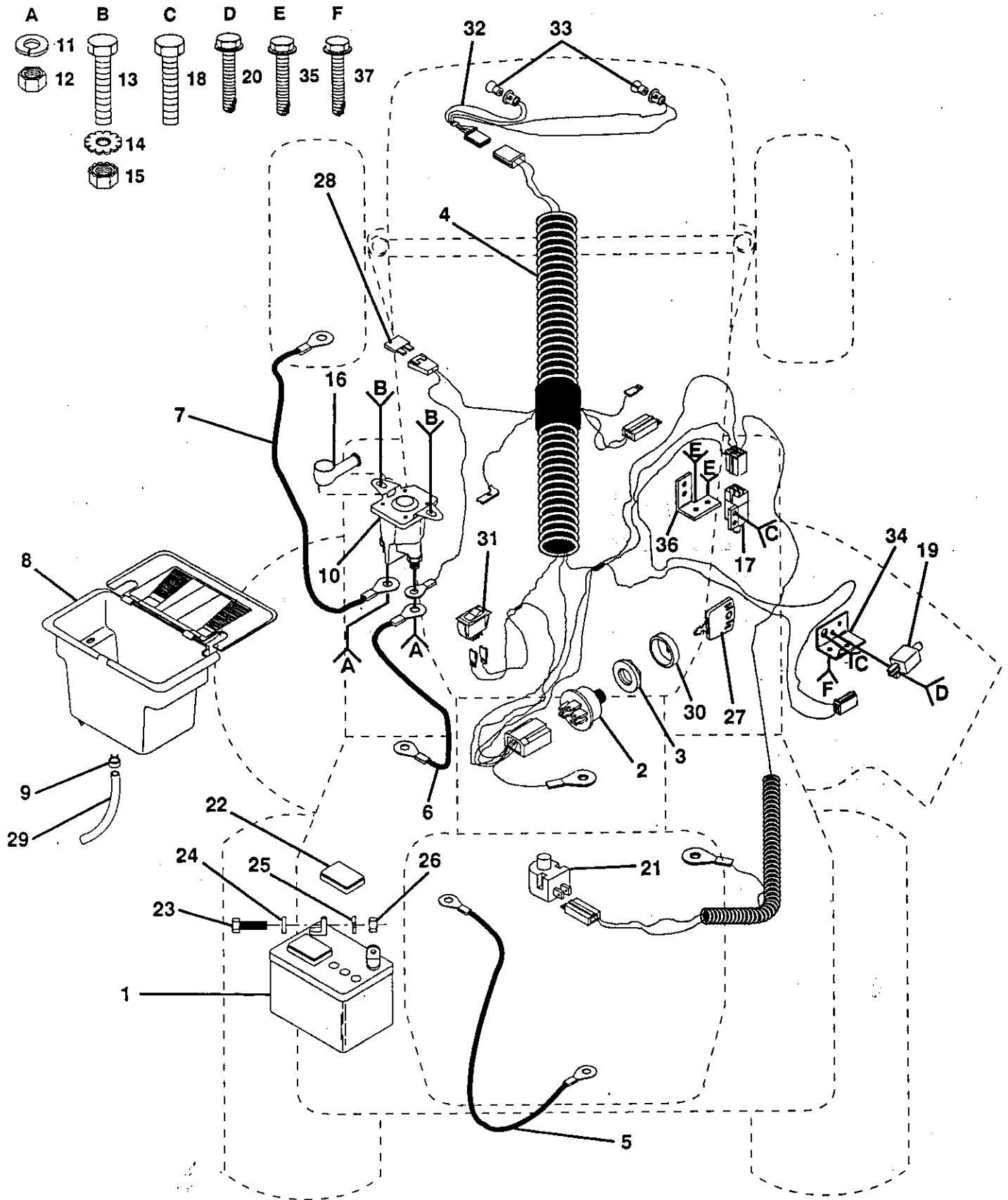


CAUTION: Always disconnect spark plug wire and place wire where it cannot contact spark plug in order to prevent accidental starting when setting up, transporting, adjusting or making repairs.

REPAIR PARTS

12 HP 38" TRACTOR -- MODEL NUMBER 917.255561

ELECTRICAL



REPAIR PARTS

12 HP 38" TRACTOR - - MODEL NUMBER 917.255561

ELECTRICAL

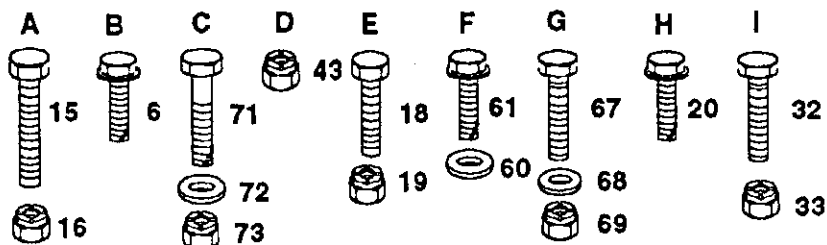
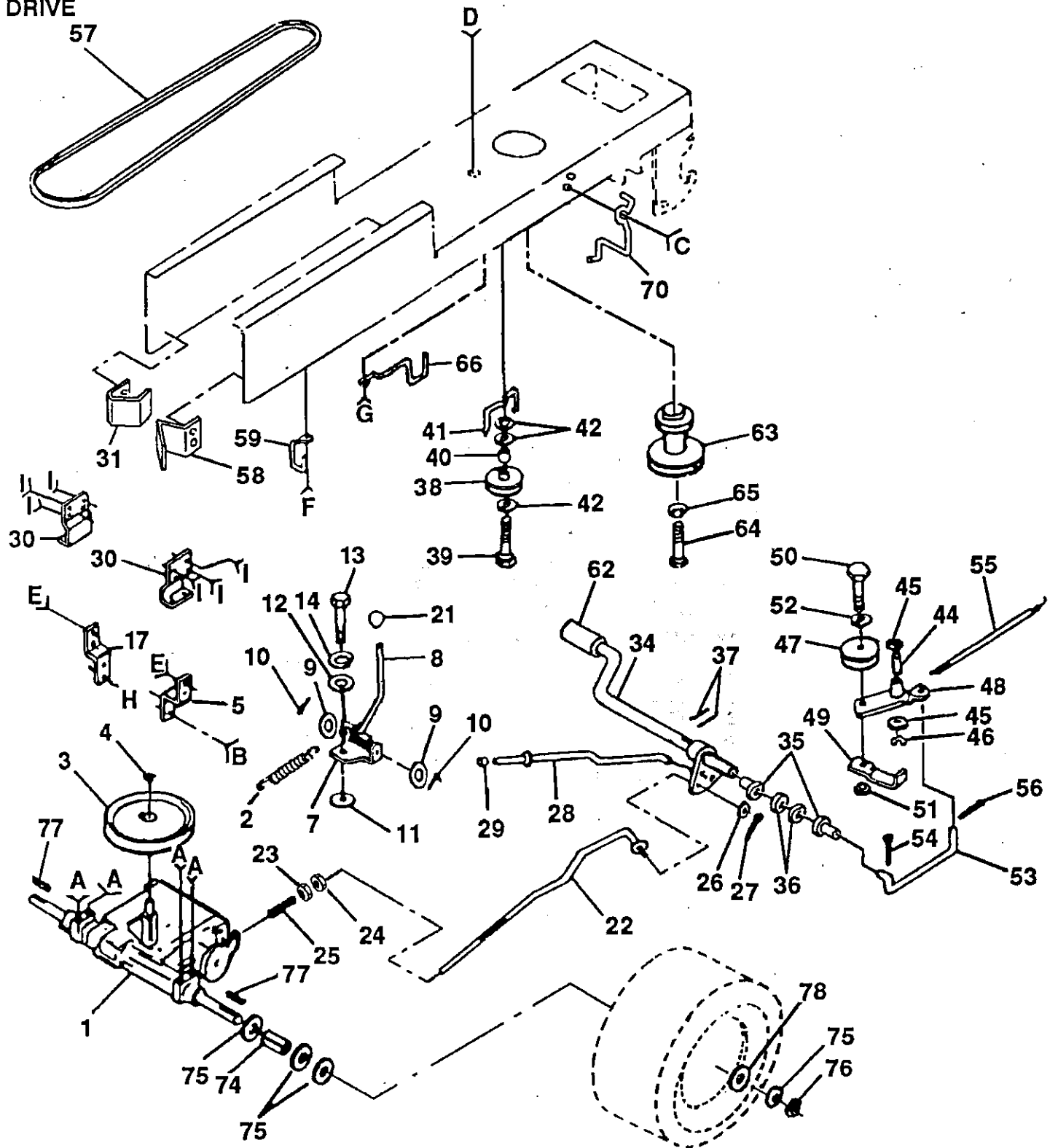
KEY PART NO.	PART NO.	DESCRIPTION
1	121265X	Battery
2	STD365402	Switch, Ignition
3	124211X	Nut, Ignition
4	132017	Harness, Ignition
5	4207J	Cable, Ground
6	132202	Cable, Battery
7	4799J	Cable, Battery
8	129965	Box, Battery
9	109596X	Clamp, Hose
10	109081X	Solenoid
11	STD551125	Washer, Lock 1/4
12	73350400	Nut, Hex, Jam 1/4-20 UNC
13	74780408	Bolt, Hex Head, Fin. 1/4-20 UNC x 1/2 Grade 5
14	STD551225	Washer, Lock, External Tooth 1/4
15	STD541425	Nut, Hex, Keps 1/4-20 UNC
16	131563	Cover, Terminal
17	109553X	Switch, Interlock, Clutch
18	STD601005	Screw, Hex Head, Self-Tapping #10-24 UNC x 1/2
19	104445X	Switch, Interlock, Clutch
20	STD601005	Screw, Hex Head, Self-Tapping #10-24UNC x 1/2
21	121305X	Switch, Plunger
22	121264X	Cap, Battery
23	74760412	Bolt, Hex Head 1/4-20 UNC x 3/4
24	STD551025	Washer 9/32 x 5/8 x 16 Gauge
25	STD551125	Washer, Lock, Heavy Helical Spring 1/4
26	STD541025	Nut, Hex, Fin. 1/4-20 UNC
27	109310X	Key, Ignition
28	108824X	Fuse, 30 Amp
29	109238X	Tube, Plastic
30	123620X	Cover, Key Switch
31	110712X	Switch, Light
32	127441X	Harness, Light Socket
33	7662J	Bulb, Light
34	108236X	Bracket, Clutch Switch
35	STD601005	Screw, Hex Head, Self-Tapping #10-24UNC x 1/2
36	130890	Bracket Switch Interlock
37	STD601005	Screw, Hex Head, Self-Tapping #10-24UNC x 1/2

NOTE: All component dimensions given in U.S. inches
1 inch = 25.4 mm

REPAIR PARTS

12 HP 38" TRACTOR -- MODEL NUMBER 917.255561

DRIVE



REPAIR PARTS

12 HP 38" TRACTOR -- MODEL NUMBER 917.255561

DRIVE

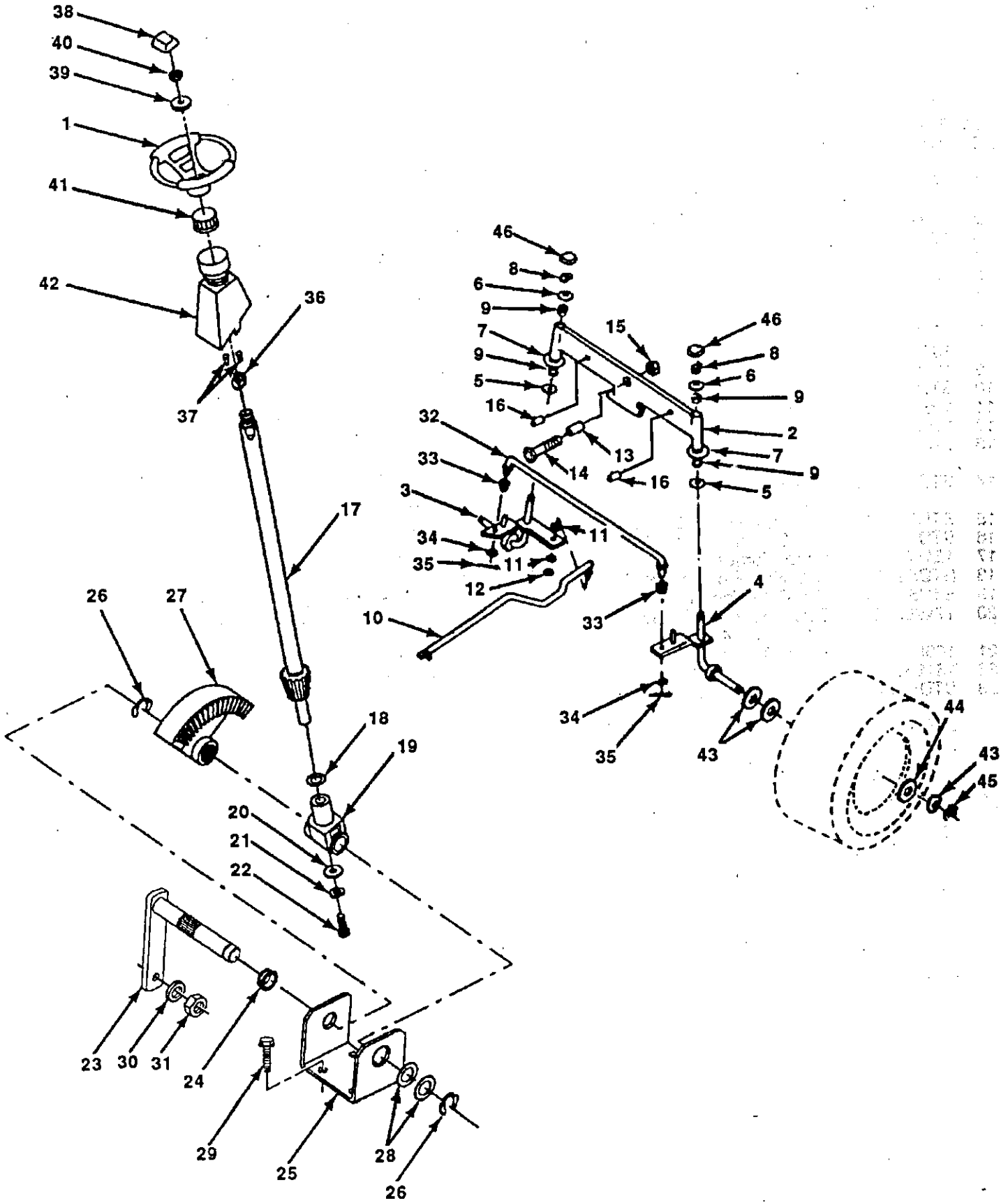
KEY PART NO. NO.	DESCRIPTION	KEY PART NO. NO.	DESCRIPTION
1 120897X	Transaxle, Dana, 5 Speed, Model Number 4360-06	39 STD523727	Bolt, Hex, Fin. 3/8-16 UNC x 2-3/4
2 110422X	Spring, Brake Return, Transaxle	40 4470J	Spacer, Split
3 123666X	Pulley, Transaxle	41 109070X	Keeper, Belt Retainer
4 12000028	Ring, Retainer	42 19131312	Washer 13/32 x 13/16 x 12 Gauge
5 121520X	Strap, Torque	43 STD541437	Nut, Crownlock 3/8-16 UNC
6 17490512	Screw, Hex Head, Thd. Roll. 5/16-18 x 3/4	44 105706X	Bearing, Nylon
7 106919X	Plate, Shift	45 110812X	Washer, Hardened
8 124461X	Rod, Shifter	46 12000039	Ring, Klip
9 19151216	Washer 15/32 x 3/4 x 16 Gauge	47 127783	Pulley, Idler, V-Groove
10 STD561210	Pin, Cotter 1/8 x 1	48 123789X	Bellcrank Assembly
11 105701X	Washer, Shift Plate	49 123205X	Retainer, Belt
12 19091210	Washer 9/32 x 3/4 x 10 Gauge	50 STD523715	Bolt, Hex Head 3/8-16 UNC x 1-1/2
13 71040412	Bolt, Hex Head, Fin. 1/4-28 UNF x 3/4 Grade 8	51 STD541437	Nut, Crownlock 3/8-16 UNC
14 STD551125	Washer, Lock, Heavy Helical Spring 1/4	52 STD551037	Washer 13/32 x 13/16 x 16 Gauge
15 STD523727	Bolt, Hex, Fin. 3/8-16 UNC x 2-3/4	53 105710X	Link, Clutch
16 STD541437	Nut, Crownlock 3/8-16 UNC	54 STD561210	Pin, Cotter 1/8 x 3/4
17 121520X	Strap, Torque	55 105709X	Spring, Return, Clutch
18 STD523707	Bolt, Hex, Fin. 3/8-16 UNC x 3/4	56 STD561210	Pin, Cotter 1/8 x 3/4
19 STD541437	Nut, Crownlock 3/8-16 UNC	57 125907X	V-Belt, Ground Drive
20 17490512	Screw, Hex Head, Thd. Roll. 5/16-18 x 3/4	58 127274X	Keeper, Belt, RH
21 106933X	Knob, Round	59 136715	Retainer, Belt, Chassis, LH
22 131867	Rod, Brake	60 19131312	Washer 13/32 x 13/16 x 12 Gauge
23 STD541437	Locknut, Hex, with Washer Insert 3/8-16 UNC	61 17490612	Screw, Hex Head, Thd. Roll. 3/8-16 x 3/4
24 STD541237	Nut, Hex, Jam 3/8-16 UNC	62 8883R	Cover, Pedal
25 106888X	Spring, Brake Rod	63 134825	Pulley, Engine
26 STD551037	Washer 13/32 x 13/16 x 16 Gauge	64 71170764	Bolt, Hex 7/16-20 x 4 Grade 8
27 STD561210	Pin, Cotter 1/8 x 3/4	65 STD551143	Washer, Lock, Heavy Helical Spring 7/16
28 128904	Rod, Parking Brake	66 129921	Keeper, Belt, Engine, LH
29 124236X	Cap, Parking Brake, Red	67 STD523710	Bolt, Hex, Fin. 3/8-16 UNC x 1
30 109167X	Bracket, Transmission	68 19131312	Washer 13/32 x 13/16 x 12 Gauge
31 127275X	Keeper, Belt, LH	69 STD541437	Nut, Crownlock 3/8-16 UNC
32 STD523707	Bolt, Hex, Fin. 3/8-16 UNC x 3/4	70 134683	Guide, Mower Drive Belt, RH
33 STD541437	Nut, Crownlock 3/8-16 UNC	71 STD523710	Bolt, Hex, Fin. 3/8-16 UNC x 1
34 122424X	Shaft Assembly, Foot Pedal	72 19132012	Washer 13/32 x 1-1/4 x 12 Gauge
35 120183X	Bearing, Nylon	73 STD541437	Nut, Crownlock 3/8-16 UNC
36 STD551062	Washer 21/32 x 1 x 16 Gauge	74 109502X	Spacer, Split
37 STD571810	Pin, Roll 3/16 x 1	75 121749X	Washer 25/32 x 1-1/4 x 16 Gauge
38 123674X	Pulley, Idler, Flat	76 STD581075	E-Ring
		77 123583X	Key, Square 2.0 x .1845/.1865
		78 121748X	Washer 25/32 x 1-5/8 x 16 Gauge

NOTE: All component dimensions given in U.S. inches
1 inch = 25.4 mm

REPAIR PARTS

12 HP 38" TRACTOR - - MODEL NUMBER 917.255561

STEERING ASSEMBLY



REPAIR PARTS

12 HP 38" TRACTOR - - MODEL NUMBER 917.255561

STEERING ASSEMBLY

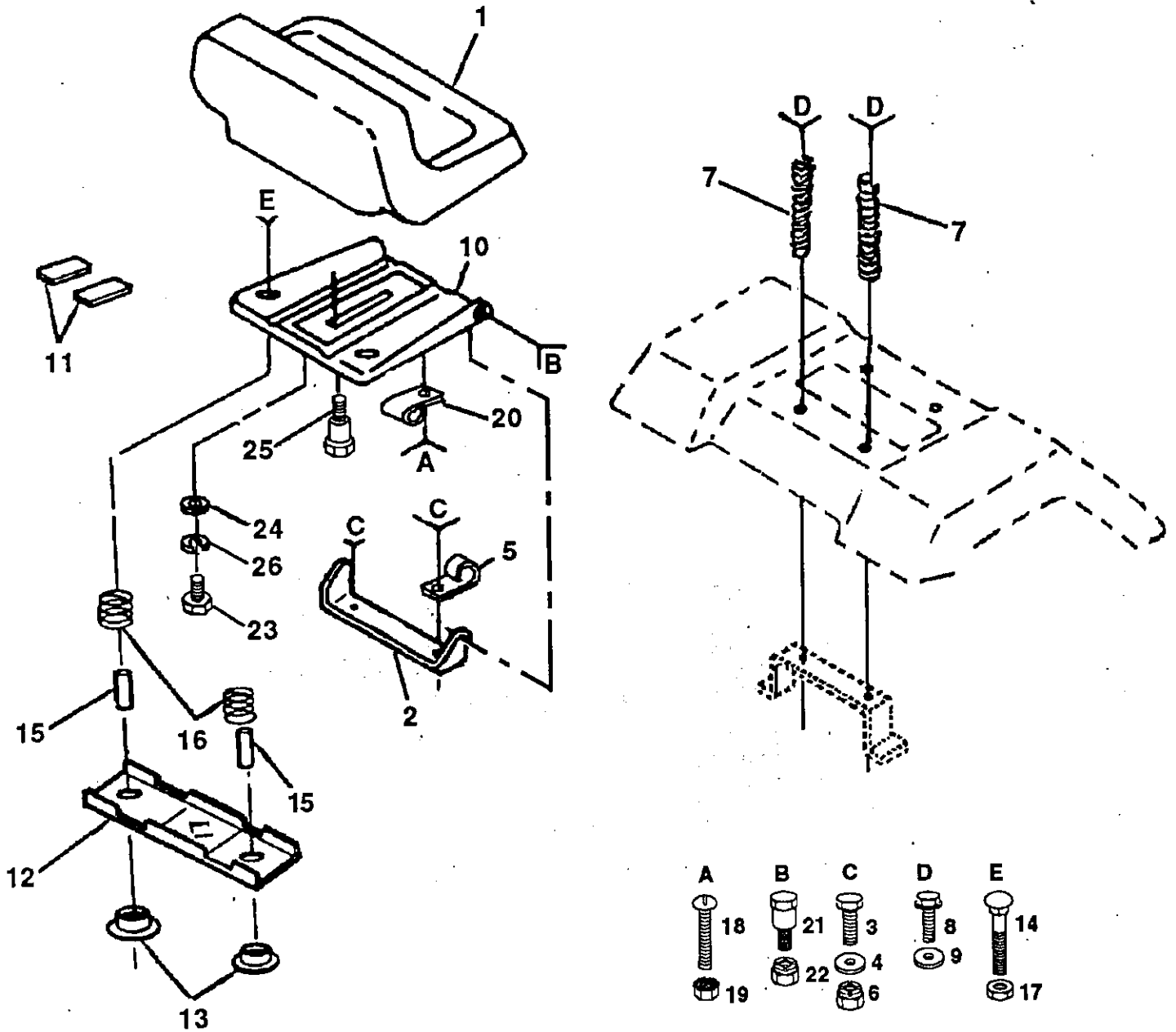
KEY PART NO.	NO.	DESCRIPTION
1	133741	Steering Wheel
2	131450	Axle Assembly, Front
3	135227	Spindle Assembly, LH
4	135228	Spindle Assembly, RH
5	6266H	Bearing, Thrust
6	121748X	Washer 25/32 x 1-5/8 x 16 Gauge
7	19272016	Washer 27/32 x 1-1/4 x 16 Gauge
8	12000029	Ring, Klip
9	3366R	Bearing, Steering Column
10	130468	Link, Drag
11	STD551137	Washer, Lock, Heavy Helical Spring 3/8
12	73610600	Nut, Hex, Fin. 3/8-24 UNF
13	110438X	Spacer, Bearing, Front Axle
14	74011056	Bolt, Hex Head 5/8-11 UNC x 3-1/2
15	73601000	Locknut, Hex, Jam, with Washer Insert 5/8-11 UNC
16	132624	Pin, Axle 5/8 x 1.55/1.54
17	132614	Shaft Assembly, Steering
18	57079	Washer, Thrust .515 x .750 x .033
19	124035X	Support, Shaft
20	126684X	Washer, Shim 1/4 x 5/8 x .062
21	STD551125	Washer, Lock, Heavy Helical Spring 1/4
22	71070410	Screw, Hex Socket Head 1/4-20 x 5/8
23	127501	Shaft Assembly, Pittman
24	109816X	Nyliner, Snap-In
25	124036X	Bracket, Steering
26	12000029	Ring, Klip
27	124034X	Gear, Sector
28	6266H	Bearing, Thrust
29	17490612	Screw, Thd. Roll. 3/8-16 x 3/4
30	STD551137	Washer, Lock, Heavy Helical Spring 3/8
31	73610600	Nut, Hex, Fin. 3/8-24 UNF
32	130465	Rod, Tie
33	126847X	Bushing, Tie Rod
34	19131416	Washer 13/32 x 7/8 x 16 Gauge
35	STD561210	Pin, Cotter 1/8 x 3/4
36	132196	Bushing, Steering
37	STD611005	Screw, Self-Tapping #10-16 x 1/2
38	133742	Insert, Steering Wheel
39	19133808	Washer 13/32 x 2-3/8 x 8 Gauge
40	STD541537	Nut, Centerlock 3/8-24 UNF
41	104820X	Adaptor, Steering Wheel
42	124417X	Boot, Steering Shaft
43	121749X	Washer 25/32 x 1-1/4 x 16 Gauge
44	121748X	Washer 25/32 x 1-5/8 x 16 Gauge
45	12000029	Ring, Klip
46	121232X	Cap, Spindle

NOTE: All component dimensions given in U.S. inches
1 inch = 25.4 mm

REPAIR PARTS

12 HP 38" TRACTOR - - MODEL NUMBER 917.255561

SEAT ASSEMBLY



KEY PART NO.	NO.	DESCRIPTION
1	127436	Seat
2	126656X	Bracket, Pivot, Seat
3	STD523707	Bolt, Hex, Fin. 3/8-16 UNC x 3/4
4	19131210	Washer 13/32 x 3/4 x 10 Gauge
5	2751R	Clip, Fuel Line
6	STD541437	Nut, Crownlock 3/8-16 UNC
7	124181X	Spring, Seat
8	17490616	Screw, Thd. Roll. 3/8-16 x 1
9	19131614	Washer 13/32 x 1 x 14 Gauge
10	131451	Pan, Seat
11	121251X	Strip, Foam
12	121246X	Bracket, Switch Mounting
13	121248X	Bushing, Snap
14	72050411	Bolt, Carriage 1/4-20 x 1-3/8
15	121249X	Spacer, Split

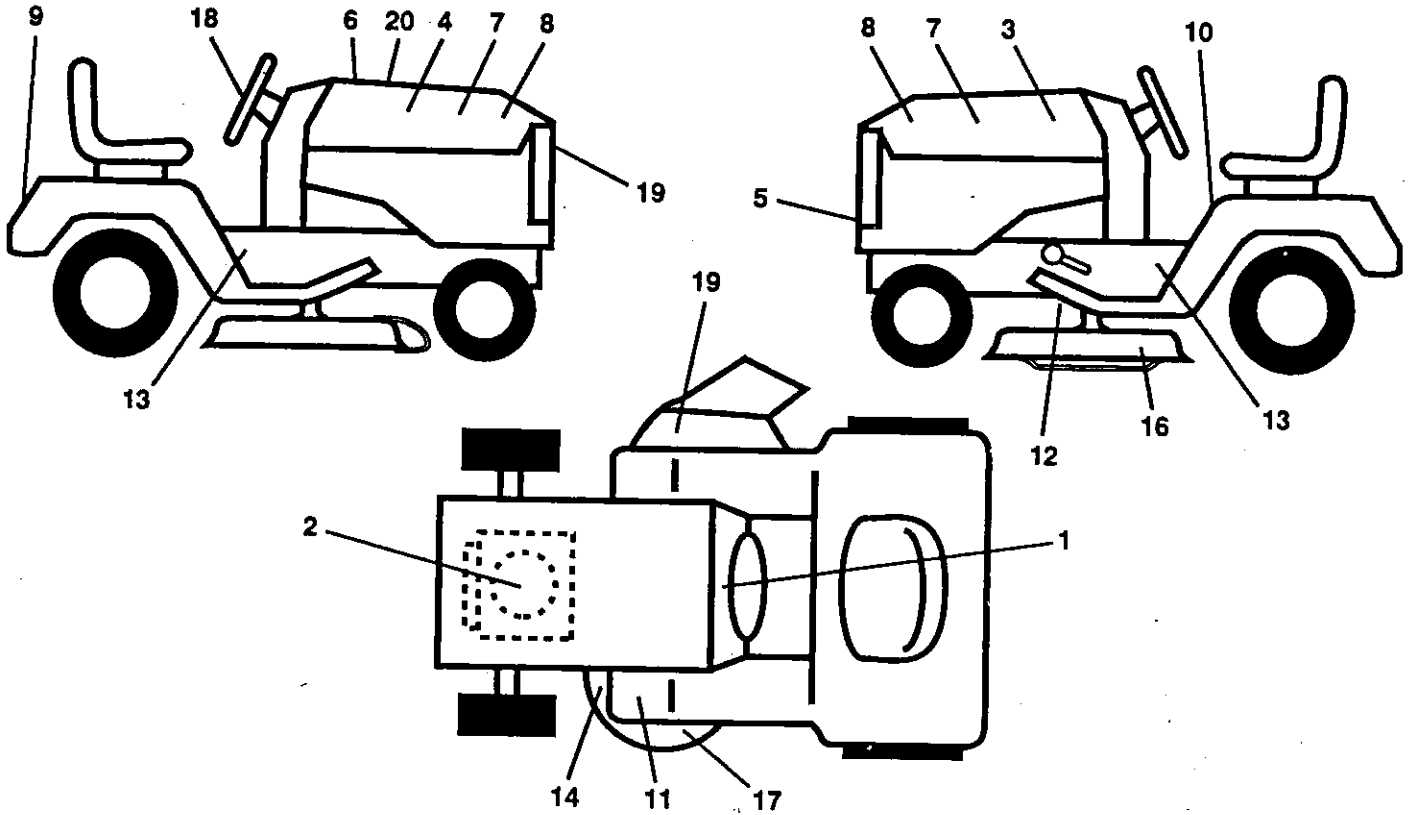
KEY PART NO.	NO.	DESCRIPTION
16	121250X	Spring
17	123976X	Locknut 1/4 Grade 5
18	STD511005	Screw, Slotted Pan Head #10-32 x 1/2
19	73951000	Nut, Hex, Keps #10-32 UNF
20	4171R	Clip, Insulated
21	105529X	Bolt, Shoulder 5/16-18 UNC
22	STD541431	Nut, Crownlock 5/16-18
23	74780814	Bolt, Hex, Fin. 1/2-13 x 7/8 Grade 5
24	19171912	Washer 17/32 x 1-3/16 x 12 Gauge
25	127018X	Bolt, Shoulder 5/16-18 x .62
26	STD551150	Washer, Lock, Heavy Helical Spring 1/2

NOTE: All component dimensions given in U.S. inches
1 inch = 25.4 mm

REPAIR PARTS

12 HP 38" TRACTOR -- MODEL NUMBER 917.255561

DECALS



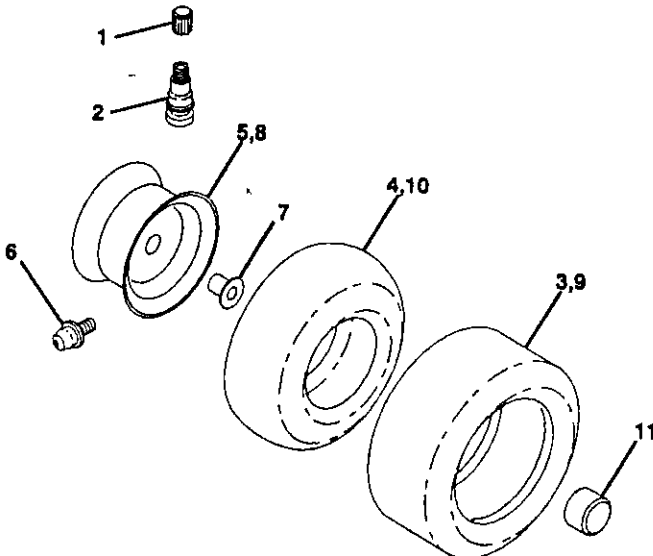
KEY PART NO. NO.

KEY PART NO.	NO.	DESCRIPTION
1	108456X	Decal, Operating Instruction
2	126685X	Decal, 12 HP IC, B&S, Engine
3	124490X	Decal, Craftsman, Hood, RH
4	124489X	Decal, Craftsman, Hood, LH
5	132674	Decal, LT4000, Craftsman, Grill
6	133644	Decal, Maintenance
7	136329	Decal, 12 HP IC, Side Panel
8	108631X	Decal, II
9	125880X	Decal, Craftsman, Fender
10	133796	Decal, Caution
11	4900J	Decal, Clutch/Brake

KEY PART NO. NO.

KEY PART NO.	NO.	DESCRIPTION
12	109199X	Decal, V-Belt Drive Schematic
13	105809X	Decal, 5 Speed, 38", Chassis
14	130929	Decal, Mower Drive Schematic
15	121343X	Decal, Danger
16	3713J	Decal, Rotating Blades
17	133179	Decal, Mower QC System
18	132267	Decal, Craftsman, USA, Steering Wheel Insert
19	131265	Decal, Lightbox
20	133718	Decal, 3 in One, Mower Deck
--	135984	Manual, Owner's

WHEELS & TIRES



KEY PART NO. NO.

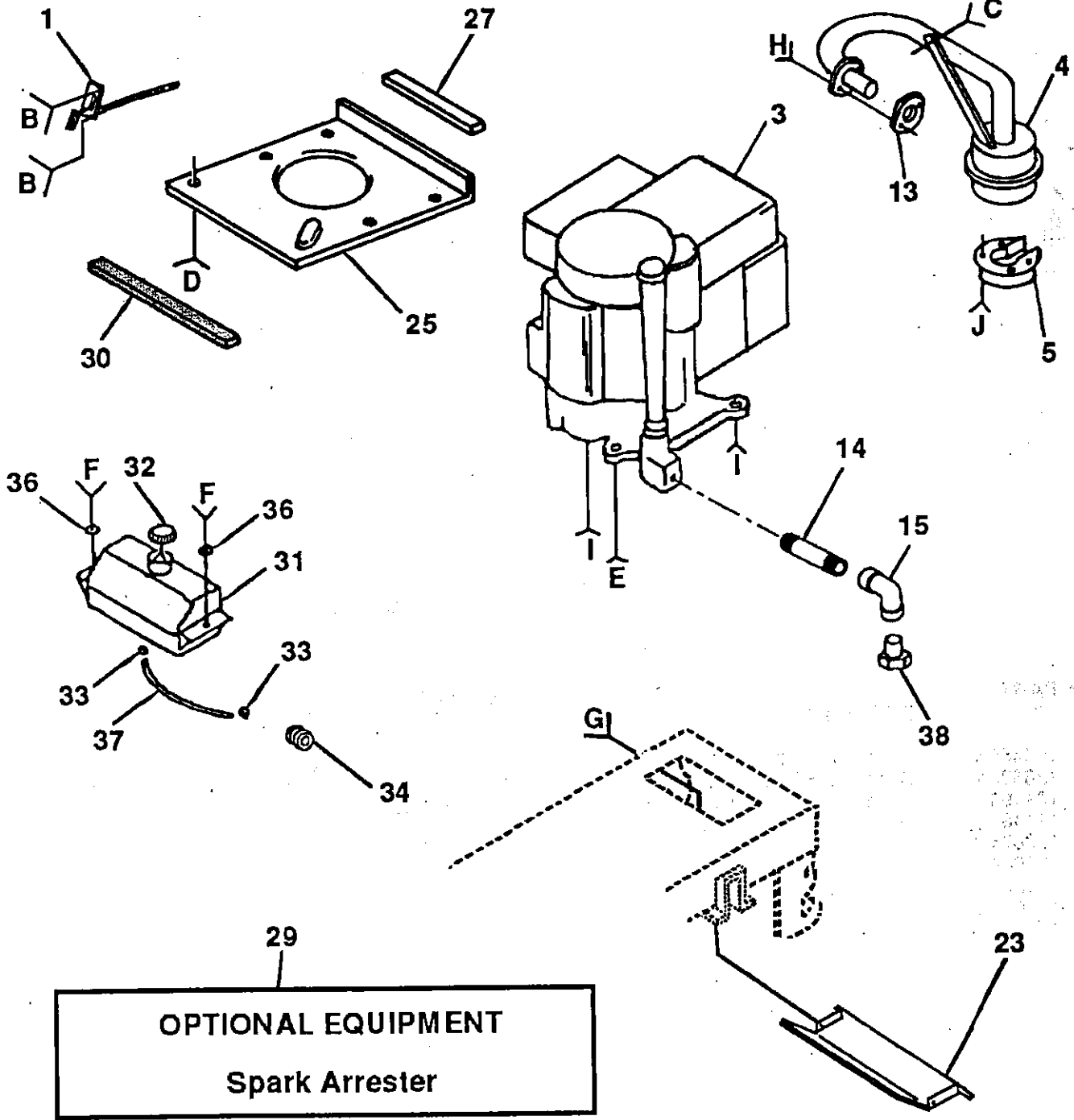
KEY PART NO.	NO.	DESCRIPTION
1	59192	Cap, Valve
2	65139	Stem, Valve
3	124157X	Tire, Front
4	59904	Tube, Tire, Front (Optional, Service Item Only)
5	106732X361	Rim Assembly, Front
6	278H	Fitting, Grease
7	9040H	Bearing, Flange
8	106108X361	Rim Assembly, Rear
9	123969X	Tire, Rear
10	7152J	Tube, Tire, Rear (Optional, Service Item Only)
11	104757X	Cover, Axle

NOTE: All component dimensions given in U.S. inches
1 inch = 25.4 mm

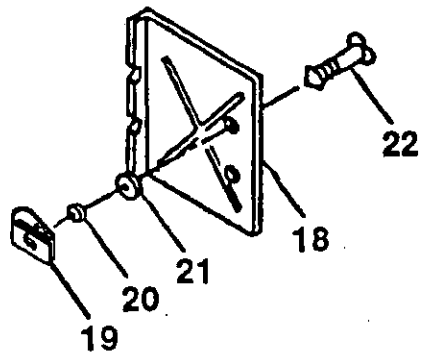
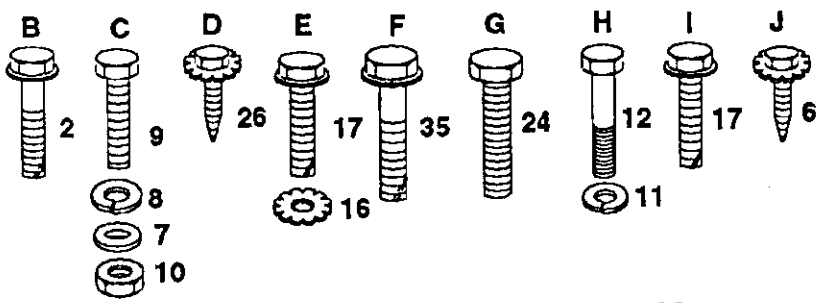
REPAIR PARTS

12 HP 38" TRACTOR -- MODEL NUMBER 917.255561

ENGINE



OPTIONAL EQUIPMENT
Spark Arrester



REPAIR PARTS

12 HP 38" TRACTOR - - MODEL NUMBER 917.255561

ENGINE

KEY PART NO.	NO.	DESCRIPTION
1	132759	Control, Throttle
2	17720410	Screw, Hex Head, Thread Cutting 1/4-20 x 5/8
3	131951	Engine, Briggs and Stratton, 12 HP IC, Model Number 283707, Type Number 0217-01
4	125610X	Muffler, Exhaust
5	101326L	Deflector, Muffler
6	17030808	Screw, Hex Head, Spiderlock #8 x 1/2 AB
7	STD551025	Washer 9/32 x 5/8 x 16 Gauge
8	STD551125	Washer, Lock, Heavy Helical Spring 1/4
9	STD522510	Bolt, Hex Head, Fin. 1/4-20 UNC x 1
10	73220500	Nut, Hex, Fin. 5/16-18 UNC
11	STD551131	Washer, Lock, Heavy Helical Spring 5/16
12	71070510	Screw, Hex Cap Head 5/16-18 x 5/8
13	125593X	Gasket
14	13280324	Nipple, Pipe 3/8 NPT x 3
15	13200300	Elbow, Standard 90° 3/8-18 NPT
16	STD551237	Washer, Lock, External Tooth 3/8
17	17490620	Screw, Thd., Roll. 3/8-16 x 1-1/4
18	105736X	Shield, Heat
19	105839X	Receptacle, 1/4 Turn
20	105838X	Retainer, 1/4 Turn
21	STD551025	Washer 9/32 x 5/8 x 16 Gauge
22	123650X	Stud, 1/4 Turn
23	128953	Shield, Heat
24	STD601005	Screw, Hex Head, Self-Tapping #10-24 UNC x 1/2
25	124027X	Shield, Heat, Hood
26	17030808	Screw, Hex Head, Spiderlock #8 x 1/2 AB
27	105037X	Strip, Foam
29	121851X	Arrestor, Spark
30	127057X	Strap, Hood
31	109202X	Tank, Fuel
32	123549X	Cap Assembly, Fuel Tank, Vented
33	123487X	Clamp, Hose
34	124028X	Bushing, Snap, Nylon, Fuel Line
35	17490412	Screw, Hex Washer Head, Thd., Roll. 1/4-20 x 3/4
36	19091416	Washer 9/32 x 7/8 x 16 Gauge
37	101335K	Line, Fuel
38	---	Plug, Oil Drain (Order From Engine Manufacturer)

NOTE: All component dimensions given in U.S. inches
1 inch = 25.4 mm

REPAIR PARTS

12 HP 38" TRACTOR - - MODEL NUMBER 917.255561

38" MOWER

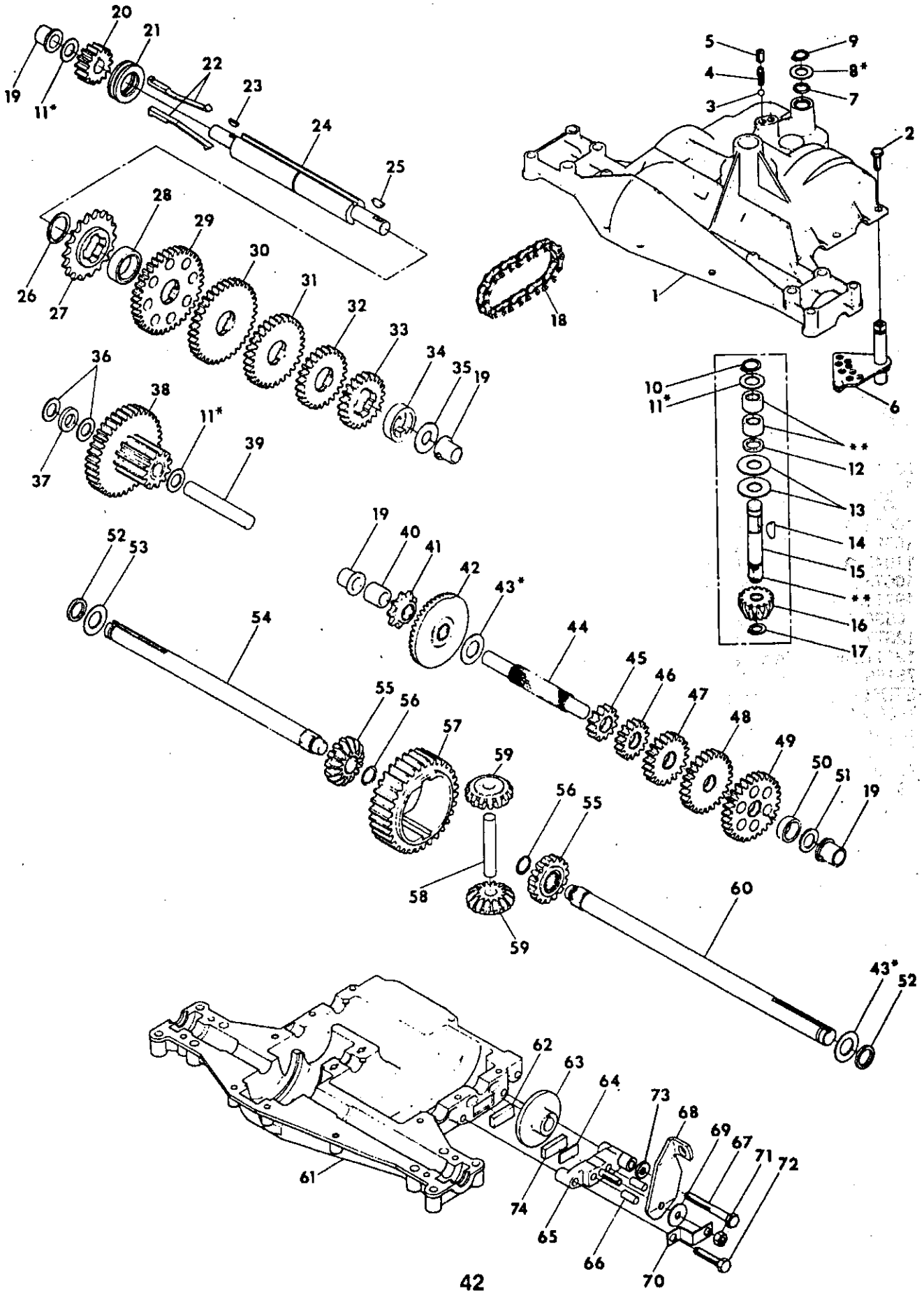
KEY PART NO. NO.	DESCRIPTION	KEY PART NO. NO.	DESCRIPTION
1	129365 Mower Housing Assembly	45	STD541437 Nut, Crownlock 3/8-16
2	STD541431 Nut, Crownlock 5/16-18	46	131290 Belt
3	STD533107 Bolt, Carriage 5/16-18 x 3/4	47	133502 Spacer, Retainer
4	7631J Runner, LH	48	133503 Stiffener, Idler Arm
5	110485X Ball Bearing, Mandrel	49	120183X Bearing, Nylon
6	128774 Mandrel Housing, Vented	50	122507X Lift Shaft Assembly
7	129895 Ball Bearing	51	105767X Pin, Groove
8	133172 Shaft and Bearing Assembly (Includes Key Number 7)	52	125631X Grip, Handle
9	127842 Blade, Mower, High Performance	53	122365X Button, Plunger
10	129962 Washer, Hardened	54	122364X Plunger, Lever
11	STD551137 Washer, Lock, Heavy Helical Spring 3/8	55	122512X Spring
12	850857 Bolt, Hex 3/8-24 x 1-1/4 Grade 8	56	122514X Rod, Lever
13	128961 Stripper, Mower, Vented	57	STD581062 E-Ring
14	106736X Shield, Deflector	58	19211621 Washer 21/32 x 7/8 x 16 Gauge
15	106735X Rod, Hinge	59	131288 Rod, Brake, RH
16	105896X Bracket, Mower Deflector	60	131289 Rod, Brake, LH
17	110452X Nut, Push	61	STD560907 Pin, Cotter 3/32 x 3/4
18	106734X Spring, Deflector	62	133551 Rod, Pivot
19	19111016 Washer 11/32 x 3/4 x 16 Gauge	63	133504 Rod, Clutch, Secondary
20	105304X Cap, Sleeve	64	STD533717 Bolt, Carriage 3/8-16 x 1-3/4
21	128772 Runner, RH	65	134666 Rod, Clutch, Primary
22	19111216 Washer 11/32 x 3/4 x 16 Gauge	66	73350600 Nut, Hex, Jam 3/8-16
23	78158 Bolt, Mandrel	67	133205 Trunnion 3/8-16
24	STD624008 Retainer, Spring	68	STD624003 Retainer, Spring
25	74600636 Bolt, Hex Head 3/8-16 x 2-1/4	69	127498 Bushing
26	19131612 Washer 13/32 x 1 x 12 Gauge	70	128759 Spring
27	127218 Link, Front	71	133573 Arm, Clutch, Primary
28	73350800 Nut, Hex, Jam 1/2-13	72	106932X Knob
29	130171 Trunnion	73	121748X Washer 25/32 x 1-5/8 x 16 Gauge
30	73800800 Nut, Crownlock 1/2-13	74	12000029 Ring, Klip
31	135388 Lift, Link, RH	75	128903 Bolt, Shoulder
32	135563 Pin, Spring 5/16-3/4	76	127845 Keeper, Spring
33	130833 Arm, Suspension, Rear	77	127847 Arm, Clutch, Secondary
34	134619 Link, Lift, LH	78	131870 Spring, Return
38	133840 Idler Arm Assembly	79	130840 Brake Assembly
39	129963 Washer, Spacer	80	17490512 Screw, Hex Head, Thd., Roll. 5/16-18 x 3/4
40	129206 Pulley, Mandrel, Single	--	131455 Mower Deck, Complete
41	73050900 Nut, Flangelock 9/16	--	130794 Mandrel Assembly (Includes Key Numbers 5-8, 10-12, 39 and 41)
42	131494 Pulley, Idler, Flat		
43	122052X Spacer, Retainer 1-3/4		
44	19131612 Washer 13/32 x 1 x 12 Gauge		

NOTE: All component dimensions given in U.S. inches
1 inch = 25.4 mm

REPAIR PARTS

12 HP 38" TRACTOR - - MODEL NUMBER 917.255561

DANA TRANSAXLE - MODEL NUMBER 4360-06



REPAIR PARTS

12 HP 38" TRACTOR - - MODEL NUMBER 917.255561

DANA TRANSAXLE - MODEL NUMBER 4360-06

KEY PART NO. NO.	DESCRIPTION	KEY PART NO. NO.	DESCRIPTION
1 120458X	Housing, Upper	41 105928X	Sprocket, 9 Teeth
2 2274J	Screw, Tapping, Large 1/4-20 x .734	42 110084X	Gear, Bevel, 42 Teeth
3 68003	Ball, Detent	43 108983X	*Washer, Plain .758 x 1.12 x .010
4 105904X	Spring, Detent	105930X	*Washer, Plain .758 x 1.12 x .015
5 105905X	Screw, Set	105931X	*Washer, Plain .758 x 1.12 x .020
6 120460X	Shifter Assembly	105932X	*Washer, Plain .758 x 1.12 x .025
7 120461X	O-Ring	3417J	*Washer, Plain .758 x 1.25 x .020
8 120462X	*Washer, Plain .505 x .942 x .006	106097X	*Washer, Plain .758 x 1.25 x .025
120463X	*Washer, Plain .505 x .942 x .010	2264J	*Washer, Plain .758 x 1.25 x .031
120464X	*Washer, Plain .505 x .942 x .015	106098X	*Washer, Plain .758 x 1.25 x .035
120465X	*Washer, Plain .505 x .942 x .020	2265J	*Washer, Plain .758 x 1.25 x .040
120466X	*Washer, Plain .505 x .942 x .026	106586X	*Washer, Plain .758 x 1.25 x .045
83818	*Washer, Plain .505 x .942 x .030	106587X	*Washer, Plain .758 x 1.25 x .050
120467X	*Washer, Plain .505 x .942 x .040	106588X	*Washer, Plain .758 x 1.25 x .055
9 2286J	Ring, Retaining	2263J	*Washer, Plain .758 x 1.25 x .062
10 2267J	Ring, Retaining	44 120473X	Shaft, Drive
11 3413J	*Washer, Plain .632 x 1.00 x .010	45 105933X	Gear, Spur, 12 Teeth
2233J	*Washer, Plain .632 x 1.00 x .020	46 124641X	Gear, Spur, 20 Teeth
2232J	*Washer, Plain .632 x 1.00 x .026	47 106589X	Gear, Spur, 25 Teeth
2231J	*Washer, Plain .632 x 1.00 x .031	48 120408X	Gear, Spur, 28 Teeth
2230J	*Washer, Plain .632 x 1.00 x .036	49 105937X	Gear, Spur, 31 Teeth
2229J	*Washer, Plain .632 x 1.00 x .041	50 105936X	Spacer .781 x 1.00 x .375
2228J	*Washer, Plain .632 x 1.00 x .046	51 2226J	Washer, Plain .632 x 1.00 x .060
2227J	*Washer, Plain .632 x 1.00 x .050	52 2272J	Seal, Felt
2226J	*Washer, Plain .632 x 1.00 x .060	53 2263J	Washer, Plain .758 x 1.25 x .062
105906X	*Washer, Plain .632 x 1.00 x .082	54 120474X	Axle, Left Hand
12 6725J	O-Ring	55 110081X	Gear, Miter, 15 Teeth
13 120415X	Washer, Plain .632 x 1.38 x .046	56 105941X	Ring, Retaining
14 2257J	Key, Woodruff, #9	57 110071X	Gear, Spur, 32 Teeth
15 110077X	Kit, Input Shaft Assembly	58 120952X	Shaft, Cross
16 110078X	Pinion, Bevel, 14 Teeth	59 110082X	Gear, Miter, 15 Teeth
17 105909X	Ring, Retaining	60 120475X	Axle, Right Hand
18 105910X	Chain, 24 Pitches	61 120476X	Housing, Lower
19 105911X	Bearing, Flange	62 120961X	Puck, Friction
20 108976X	Gear, Spur, 14 Teeth	63 7294J	Disc, Brake
21 105913X	Collar, Clutch	64 108989	Spacer
22 120468X	Key, Clutch	65 120953X	Jaw, Brake
23 2242J	Key, Woodruff, #3	66 120954X	Pin, Dowel
24 120469X	Shaft, Intermediate	67 120955X	Screw, Tapping, Large 5/16-18 x 2.25
25 2244J	Key, Woodruff, #61	68 108992X	Lever, Actuating
26 105916X	Ring, Retaining	69 108996X	Washer, Plain .321 x 1.00 x .055
27 120470X	Sprocket, 18 Teeth	70 120956X	Bracket, Anti-Rotation
28 110070X	Spacer	71 73810500	Locknut 5/16-24
29 108977X	Gear, Spur, 37 Teeth	72 106596X	Screw, Tapping, Large 5/16-18 x 1.44
30 120405X	Gear, Spur, 30 Teeth	73 120993X	Washer, Plain .343 x .81 x .059
31 108980X	Gear, Spur, 25 Teeth	74 120951X	Puck, Friction
32 120406X	Gear, Spur, 22 Teeth	75 120416X	Grease
33 108455X	Gear, Spur, 19 Teeth		
34 105923X	Spacer 1.133 x 1.50 x .375		
35 105925X	Washer, Plain .640 x 1.37 x .061		
36 2232J	Washer, Plain .632 x 1.00 x .026		
37 108978X	Spacer .630 x 1.00 x .169		
38 110079X	Assembly, Gear, Combination of 12 Teeth and 35 Teeth		
39 120471X	Shaft, Idler		
40 120472X	Spacer .635 x .875 x .755		

* Use In Various Combinations To Maintain Proper Clearances
 ** Order Key Number 15

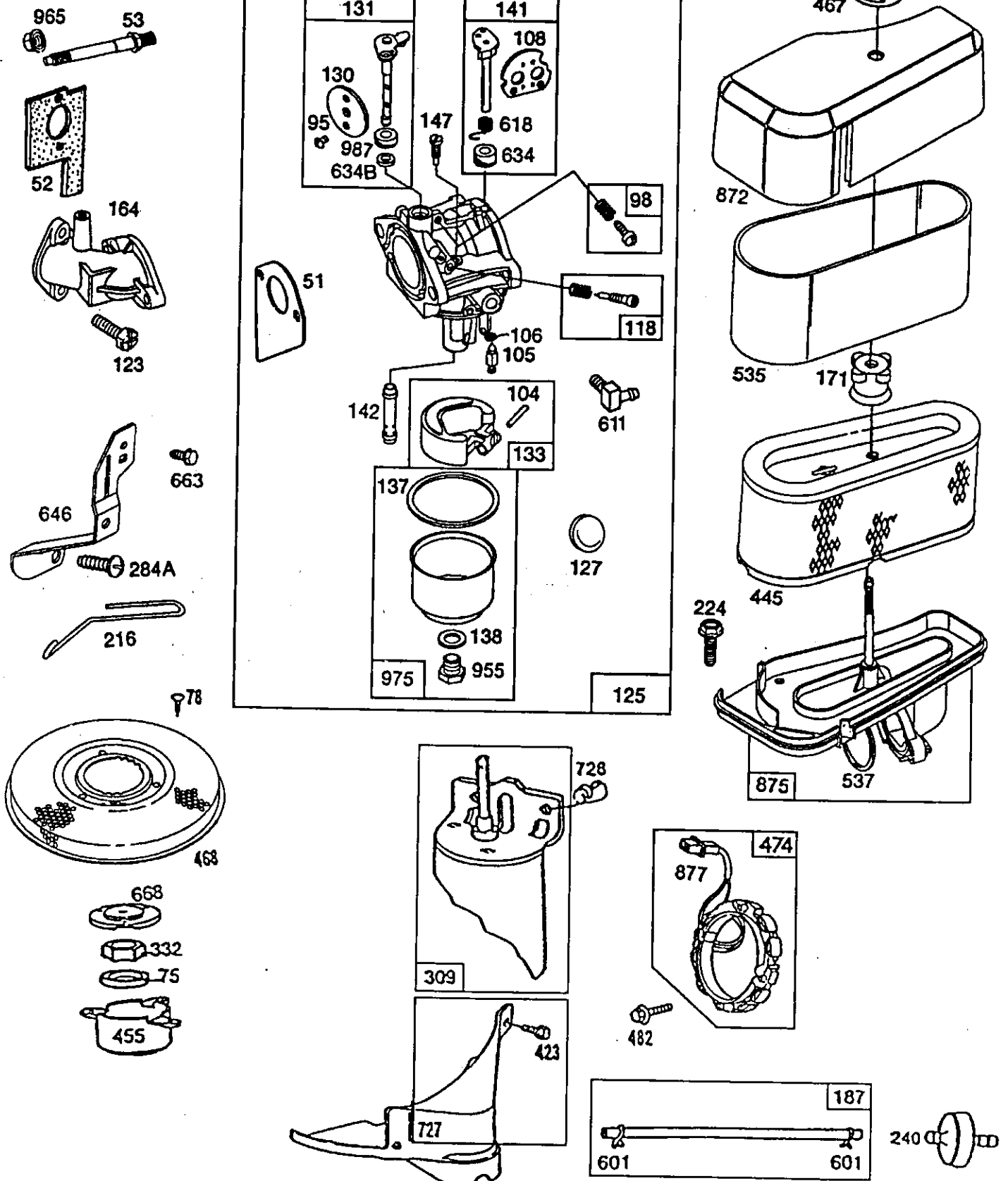
NOTE: All component dimensions given in U.S. inches
 1 inch = 25.4 mm

REPAIR PARTS

12 HP 38" TRACTOR -- MODEL NUMBER 917.255561

BRIGGS & STRATTON ENGINE - MODEL NUMBER 283707, TYPE NUMBER 0217-01

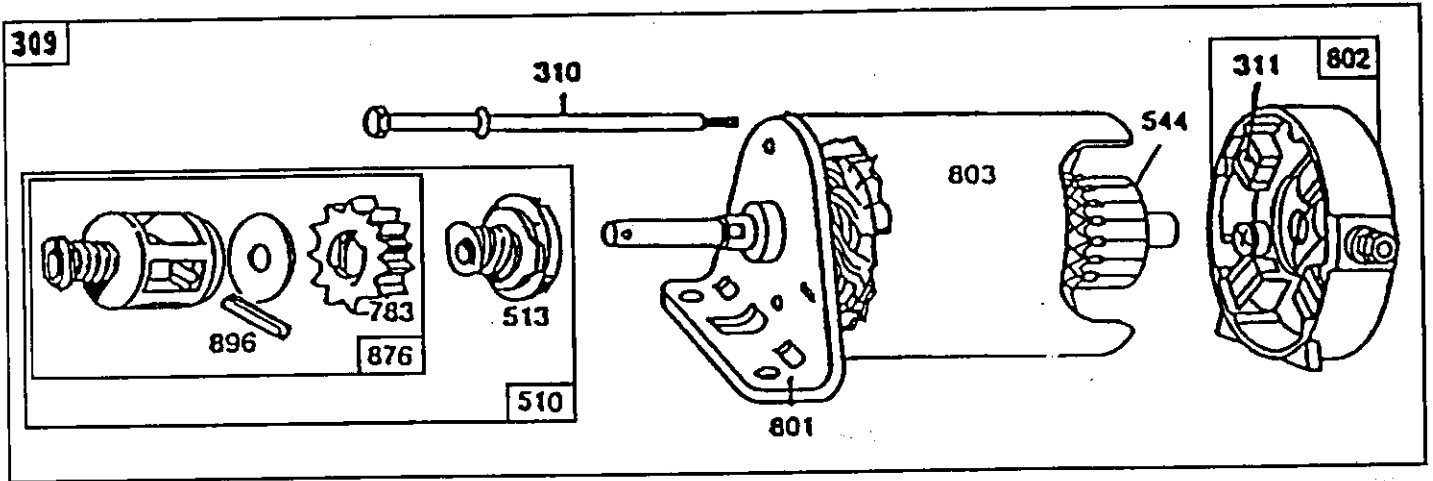
121 CARBURETOR OVERHAUL KIT



REPAIR PARTS

12 HP 38" TRACTOR - - MODEL NUMBER 917.255561

BRIGGS & STRATTON ENGINE - MODEL NUMBER 283707, TYPE NUMBER 0217-01



Reference Number		309	310	311	510	544	801	802	803
Manufacturer		Motor and Drive Ass'y.	Thru Bolt Assembly	Brush Assembly	Drive Assembly	Armature Assembly	Drive End Cap Assembly	End Cap Ass'y. Commutator	Housing Assembly
Briggs & Stratton	Housing Length								
12V	3-21/32"	394805	84003	395538	490421**	390837	394856	395537*	393825

*Includes Brush Set

**Includes #398003 Clutch Assembly (Ref. No. 513)
 #280104 Gear (Ref. No. 783)
 #490467 Retainer and Pin (Ref. No. 876)
 # 94288 Roll Pin (Ref. No. 896)

REPAIR PARTS

12 HP 38" TRACTOR - - MODEL NUMBER 917.255561

BRIGGS & STRATTON ENGINE - MODEL NUMBER 283707, TYPE NUMBER 0217-01

KEY PART NO. NO.	DESCRIPTION	KEY PART NO. NO.	DESCRIPTION
1 490450	Cylinder Assembly	53 94637	Stud, Carburetor Mounting
2 399265	Bearing, Cylinder (Requires Special Tools For Installation)	75 224061	Washer, Spring
3 391086	* Seal, Oil	78 93805	Screw, Sems
5 494240	Head, Cylinder	95 94098	** Screw, Throttle
7 271866	* Gasket, Cylinder Head	98 494382	Screw, Idle Speed
8 391406	Breather Assembly	104 231789	** Pin, Float Hinge
9 27803	* Gasket, Valve Cover	105 231790	** Valve Assembly, Inlet Needle
10 93394	Screw, Sems	106 281169	Inlet, Valve Seat
11 280100	Tube, Breather	108 224540	Valve, Choke
12 271916	* Gasket, Crankcase Cover 1/64"	118 494383	** Valve, Needle
271997	* Gasket, Crankcase Cover .005"	121 494384	Carburetor Overhaul Kit
271996	* Gasket, Crankcase Cover .009"	123 94616	Screw, Elbow Mounting
13 93723	Screw, Cylinder Head	125 494502	Carburetor Assembly
15 94239	Plug, Oil Drain	127 - - -	** Plug, Welch (Sold in Kit Only)
16 490466	Crankshaft	130 224539	Valve, Throttle
94196	Key, Timing Gear	131 494379	Shaft and Lever, Throttle
18 494238	Base, Engine	133 494381	Float, Carburetor
20 291675	* Seal, Oil	137 281165	*** Gasket, Float Bowl
22 94305	Screw, Sems, Base Mounting	138 281164	*** Washer, Float Bowl Screw
23 492326	Flywheel and Ring Gear Assembly, Magneto	141 494380	** Shaft and Lever, Choke
24 222698	Key, Flywheel	142 494537	** Nozzle / Jet, Carburetor
25 394661	Piston Assembly, Standard	494499	High Altitude Kit:
394662	Piston Assembly .010" Oversize	147 231794	231796 Pilot, Jet, High Altitude
394663	Piston Assembly .020" Oversize	164 213819	281164 Seal, Bowl Screw
394664	Piston Assembly .030" Oversize	171 281051	** Pilot, Jet
26 391780	Ring Set, Piston, Standard Size	187 393815	Carburetor, Elbow
392331	Ring Set, Piston, Chrome, Standard	188 93535	Nut, Air Cleaner Mounting
391781	Ring Set, Piston .010" Oversize	201 262767	Line, Fuel
391782	Ring Set, Piston .020" Oversize	209 260871	Screw, Sems
391783	Ring Set, Piston .030" Oversize	216 262766	Link, Governor
27 260924	Lock, Piston Pin	219 490815	Spring, Governor
28 299691	Pin Assembly, Piston, Standard	222 494887	Link, Choke
391286	Pin Assy., Piston .005" Oversize	224 94513	Oil Slinger, Governor Gear and Bracket Assembly
29 490348	Rod Assembly, Connecting	225 231058	Plate, Governor Control (Choke-A-Matic)
490469	Rod Assembly, Connecting, .020" Undersize Crankpin Bore	227 493935	Screw, Sems, Air Cleaner
31 222299	Lock, Connecting Rod Screw	230 222450	Crank, Governor
32 92909	Screw, Connecting Rod	232 262785	Lever Assembly, Governor
33 262246	Valve, Exhaust	240 394358	Washer, Governor Crank
34 262247	Valve, Intake		Spring, Governor Link
35 65906	Spring, Intake Valve		Filter, Fuel
36 26828	Spring, Exhaust Valve		
37 223752	Guard, Flywheel		
40 221596	Retainer, Intake Valve		
41 292260	Rotocoil, Exhaust Valve		
42 93630	Retainer, Exhaust Valve Rotocoil		
45 262248	Tappet, Valve		
46 212897	Gear, Cam		
51 272465	*** Gasket, Carburetor (Carburetor to Elbow)		
52 270872	* Gasket, Carburetor (Elbow to Cylinder)		

* Included in Gasket Set (494241)
 ** Included in Carburetor Overhaul Kit (494384)
 *** Included in both Carburetor Overhaul Kit (494384) and Carburetor Gasket Set (494385)

NOTE: All component dimensions given in U.S. inches
 1 inch = 25.4 mm

REPAIR PARTS

12 HP 38" TRACTOR - - MODEL NUMBER 917.255561

BRIGGS & STRATTON ENGINE - MODEL NUMBER 283707, TYPE NUMBER 0217-01

KEY PART NO.	NO.	DESCRIPTION	KEY PART NO.	NO.	DESCRIPTION
265	221535	Clamp, Casing	635	66538	Elbow, Spark Plug
284	94419	Screw, Clamp Mounting	646	224546	Brace, Air Cleaner
284A	94326	Screw, Air Cleaner	657	93496	Screw, Sems
304	494269	Housing, Blower	663	94620	Screw, Hex Head
305	94608	Screw, Sems, Blower Housing Mounting	668	280848	Spacer
306	224545	Shield, Cylinder	726	392134	Gear, Ring (Includes Mounting Parts)
307	93949	Screw, Sems, Cylinder Shield Mounting	727	490324	Cover, Starter (Includes Mounting Screws)
308	491490	Cover, Cylinder Head	728	94627	Screw, Sems
309	---	Motor, Starting (See Chart on Illustrated Pages for Replacement Parts for Starting Motors)	729	281159	Clip, Lead Wire
332	92284	Nut, Hex	741	262135	Gear, Timing
333	492341	Armature, Magneto	757	212359	Link, Counterweight
334	93381	Screw, Sems, Armature Mounting	758	399891	Counterweight Assembly
337	802592	Plug, Spark	759	298909	Pin, Counterweight
346	93705	Screw, Hex Head	761	93875	Screw, Counterweight
356	494328	Wire, Ground	842	270920	Seal, Oil Filler Cap
358	494241	Gasket Set	847	490474	Fill Group, Oil
363	19203	Puller, Flywheel	851	221798	Terminal, Ignition Cable
383	89838	Wrench, Spark Plug	869	261463	Seal, Intake Valve, Standard
422	223721	Clamp, Oil Filler Tube	870	213316	Seat, Exhaust Valve, Standard
423	94073	Screw, Sems	871	261961	Guide, Exhaust Valve
445	493909	Cartridge, Air Cleaner	872	281104	Cover, Air Cleaner
455	222561	Cup, Screen Mounting	875	494237	Body, Air Cleaner
467	493903	Knob, Air Cleaner	877	393456	Diode and Connector Assembly, Dual Circuit
468	222562	Screen, Flush Rotating	955	94642	** Screw, Fuel Bowl
474	393474	Stator, Alternator	965	94108	Locknut, Air Cleaner Mounting
482	93621	Screw, Sems	975	494378	Bowl Assembly, Carburetor
523	490327	Cap and Dipstick, Oil Filler	977	494385	Carburetor Gasket Kit
524	68838	Seal, Filler Tube	987	281166	** Seal, Throttle Shaft
525	280741	Tube, Oil Filler	1005	280687	Fan, Flywheel
535	272403	Element, Air Cleaner	1006	224413	Retainer, Fan
537	281106	* O-Ring, Air Cleaner	1020	262243	Eccentric
552	231597	Bushing, Governor Crank	1021	94160	Pin, Eccentric
562	92613	Bolt, Governor Lever			
592	231082	Nut, Hex #10-24			
601	93053	Clamp, Fuel Pipe			
611	494451	Fuel Inlet Tube			
614	93306	Cotter, Hair Pin			
615	93307	Retainer, E-Ring			
618	262803	Spring, Choke Return			
634	281168	** Seal, Choke Shaft			
634A	491323	* Seal, Governor			
634B	281167	Washer, Throttle Shaft			

* Included in Gasket Set (494241)
 ** Included in Carburetor Overhaul Kit (494384)
 *** Included in both Carburetor Overhaul Kit (494384) and Carburetor Gasket Set (494385)

NOTE: All component dimensions given in U.S. inches
 1 inch = 25.4 mm