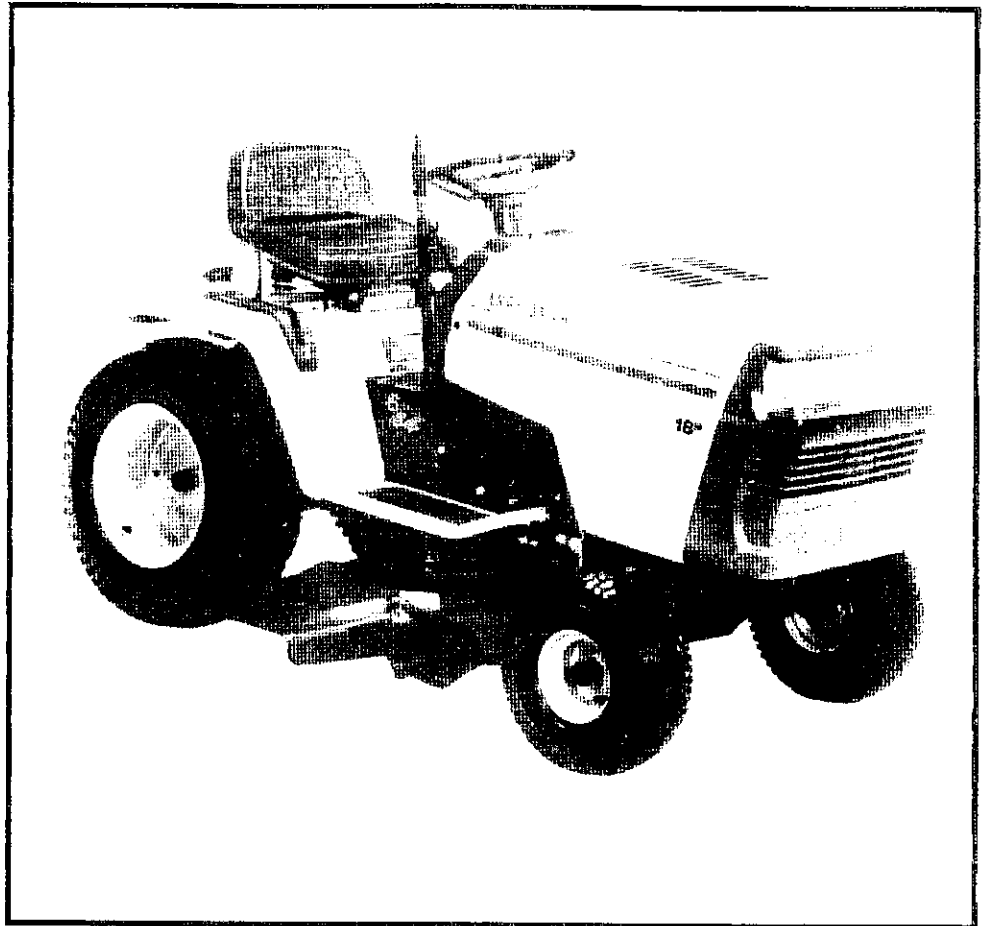


SEARS
OWNER'S
MANUAL

MODEL NO.
917.255890

Caution:
Read and follow
all Safety Rules
and Instructions
Before Operating
This Equipment

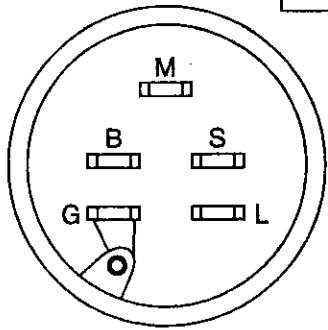
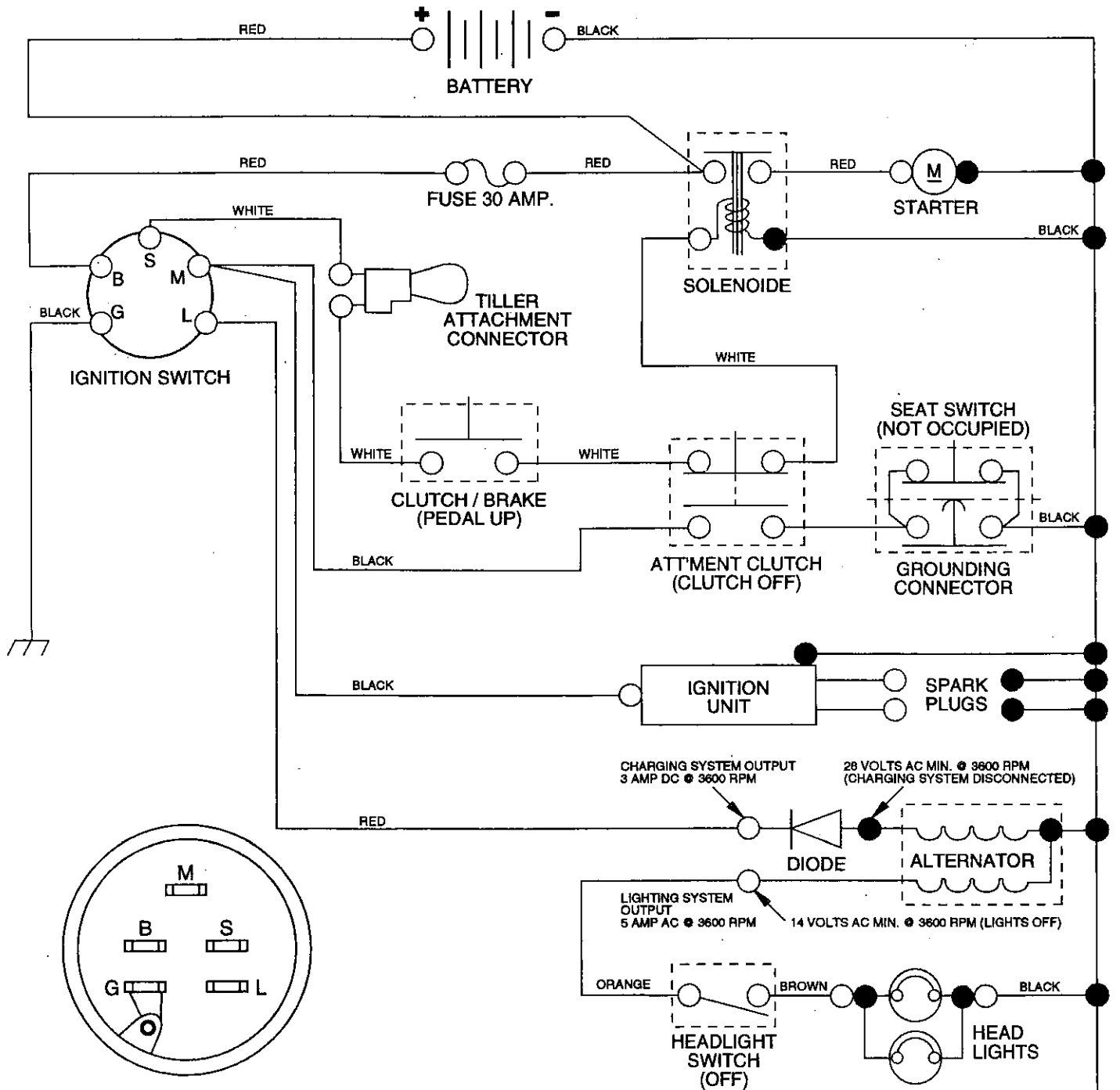


CRAFTSMAN[®]
18.0 HP TWIN CYLINDER
44" MOWER
6 SPEED TRANSAXLE
GARDEN TRACTOR

- Assembly
- Operation
- Customer Responsibilities
- Service and Adjustment
- Repair Parts

18 HP 44 " TRACTOR -- MODEL NUMBER 917.255890

SCHEMATIC



IGNITION SWITCH

POSITION	CIRCUIT
OFF	M + G
ON	B + L
START	B + S

- NON-REMOVABLE CONNECTIONS
- REMOVABLE CONNECTIONS

WIRING INSULATED CLIPS

NOTE: IF WIRING INSULATED CLIPS WERE REMOVED FOR SERVICING OF UNIT, THEY SHOULD BE REPLACED TO PROPERLY SECURE YOUR WIRING

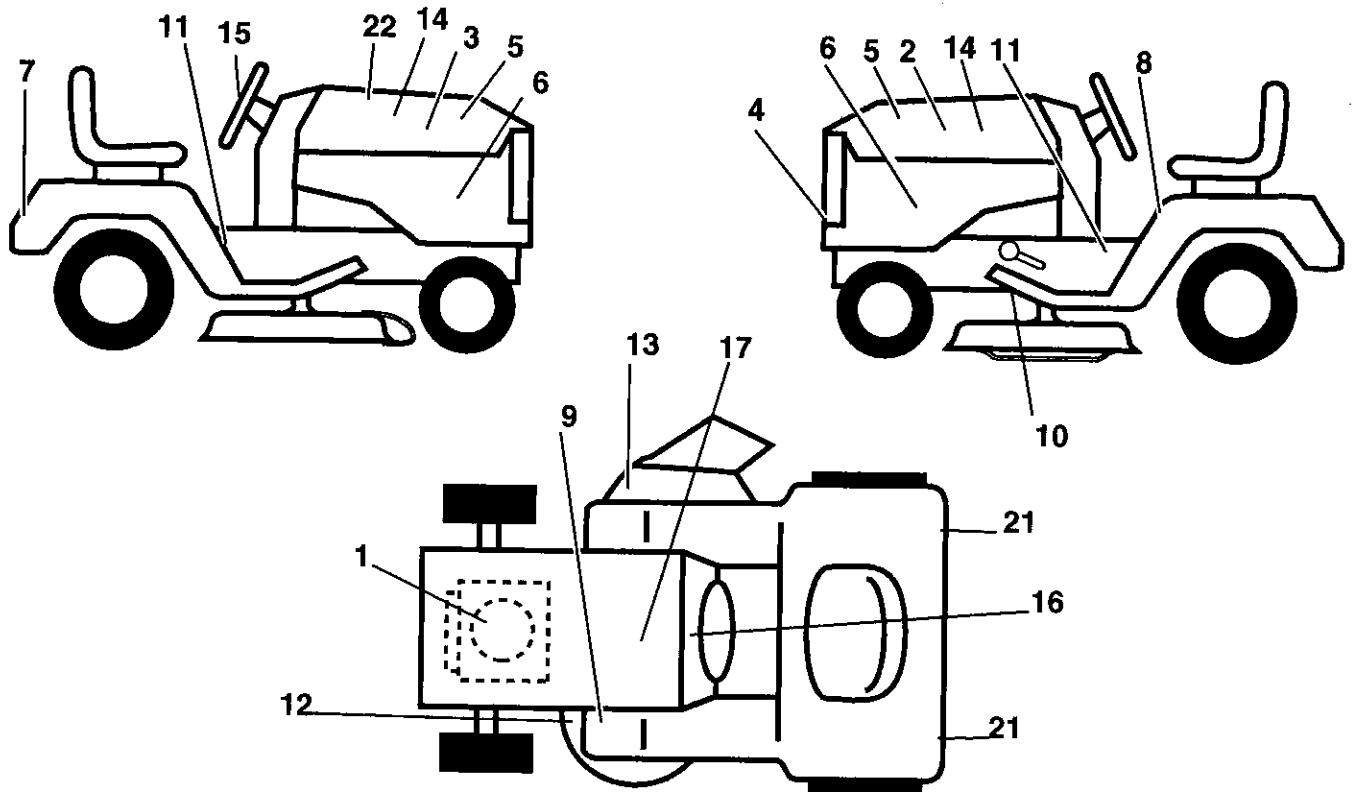
NOTE

YOUR TRACTOR IS EQUIPPED WITH A SPECIAL ALTERNATOR SYSTEM. THE LIGHTS ARE NOT CONNECTED TO THE BATTERY, BUT HAVE THEIR OWN ELECTRICAL SOURCE. BECAUSE OF THIS, THE BRIGHTNESS OF THE LIGHTS WILL CHANGE WITH ENGINE SPEED. AT IDLE THE LIGHTS WILL DIM. AS THE ENGINE IS SPEEDED UP, THE LIGHTS WILL BECOME THEIR BRIGHTEST.

REPAIR PARTS

18 HP 44" TRACTOR -- MODEL NUMBER 917.255890

DECALS



KEY PART NO. NO.










DESCRIPTION

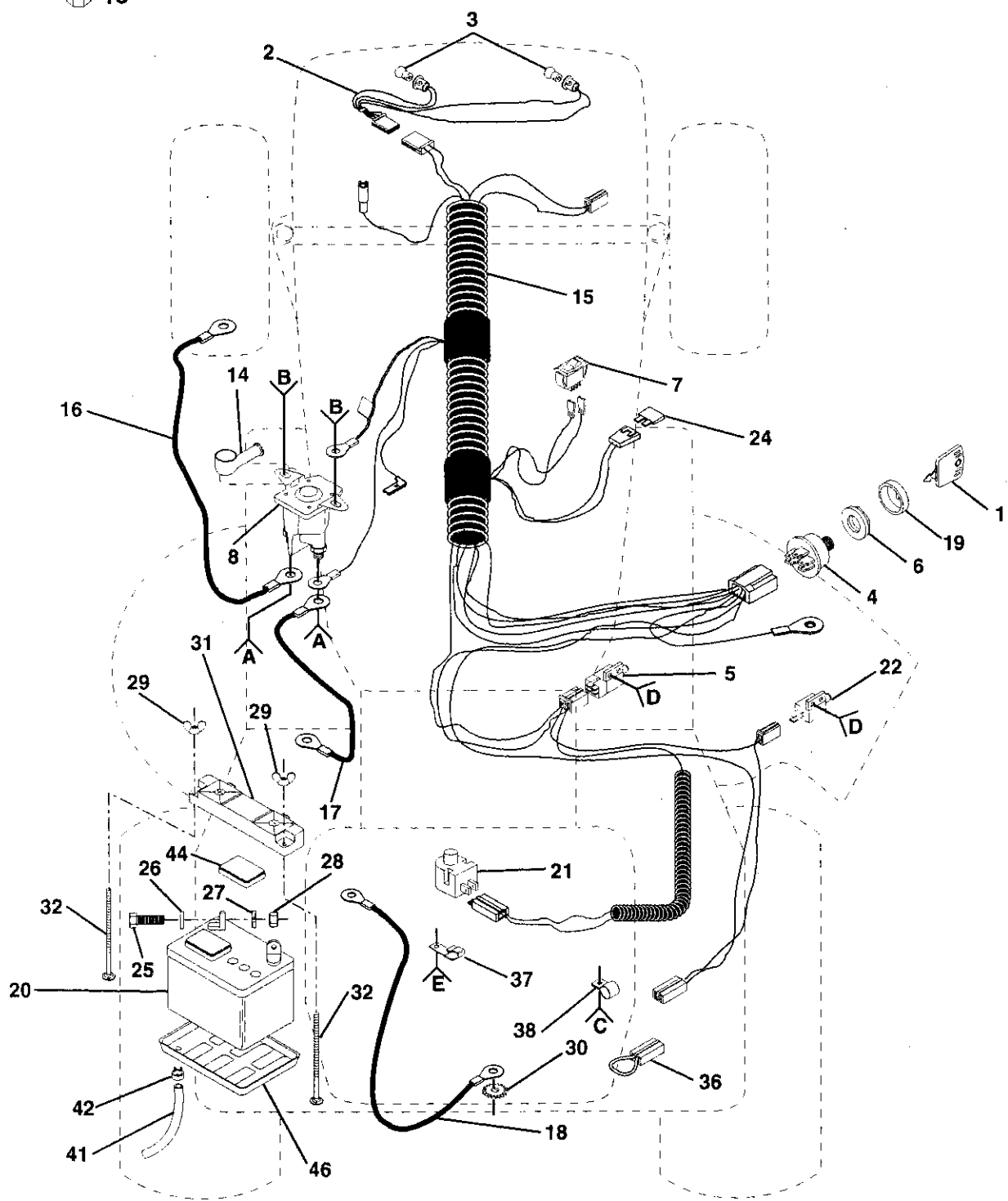
1	136127	Decal, Engine, HP
2	138280	Decal, Hood Stripe, L.H.
3	138279	Decal, Hood Stripe, R.H.
4	138264	Decal, Grill
5	138261	Decal, Side Panel, L.H.
6	108631X	Decal, II
7	125880X	Decal, Fender
8	137537	Decal, Caution
9	4900J	Decal, Clutch/Brake
10	109199X	Decal, V-Belt Drive
11	105567X	Decal, Chassis Speed/Deck Size
12	136834	Decal, Mower Drive Belt
14	138049	Decal, Side Panel, Diehard, Sears Blk
15	132267	Decal, Steering Wheel Insert
16	136794	Decal, Operating Instructions, Dash
17	138047	Decal, Battery, Diehard, Sears
21	106202X	Reflector taillight
22	133644	Decal, Maint. Lust.
—	137758	Manual, Owner's (English)
—	101539X	Sheet, Slope

REPAIR PARTS

18 HP 44" TRACTOR -- MODEL NUMBER 917.255890

ELECTRICAL

- | | | | | |
|--|--|--|--|--|
| A | B | C | D | E |
|  9 |  11 |  39 |  23 |  35 |
|  10 |  12 |  40 | | |
| |  13 | | | |



REPAIR PARTS

18 HP 44" TRACTOR -- MODEL NUMBER 917.255890

ELECTRICAL

KEY PART NO. NO.	DESCRIPTION
1 109310X	Molded Key
2 136850	Harness Light Socket (Includes Key #3)
3 4152J	Bulb, Light
4 4406R	Switch, Ignition
5 109553X	Switch, Interlock Attachment Clutch
6 124211X	Ignition, Nut
7 110712X	Switch, Light
8 109081X	Solenoid
9 10090400	Washer, Lock 1/4
10 73350400	* Nut, Hex Jam 1/4-20
11 74780408	Bolt, Fin Hex 1/4-20 UNC x 1/2
12 11050400	Washer, Lock Ext. Tooth 1/4
13 73510400	Nut, Keps 1/4-20
14 131563	Cover, Terminal
15 138318	Harness, Ignition
16 4799J	Cable, Battery
17 4206J	Cable, Battery
18 4207J	Cable, Ground
19 123620X	Cover, Switch Key
20 121537X	Battery
21 121305X	Switch, Seat
22 104445X	Switch, Interlock-Clutch
23 17021008	Screw, Hex Tap. #10-24 x 1/2
24 108824X	Fuse
25 74760412	* Bolt, Hex 1/4-20 x 3/4
26 STD551025	* Washer 9/32 x 5/8 x 16 Ga.
27 STD551125	* Washer, Lock 1/4
28 STD541025	* Nut, Hex 1/4-20
29 123198X	Nut, Wing 1/4-20
30 11050600	Washer, Lock 3/4 Ext. Tooth
31 102476X	Guard, Terminal
32 72240460	Bolt, Carriage 1/4-20 x 7-1/2
35 74760612	Bolt, Fin Hex 3/8-16 UNC x 3/4
36 102501X	Wire Loop
37 2751R	Clip, Fuel Line
38 235R	Clip, Insulation
39 74780408	* Bolt, Hex 1/4-20 x 1/2
40 73680400	Nut, Crownlock 1/4-20
41 7697J	Clamp, Hose
44 121264X	Caps, Battery
46 7603J	Tray, Battery

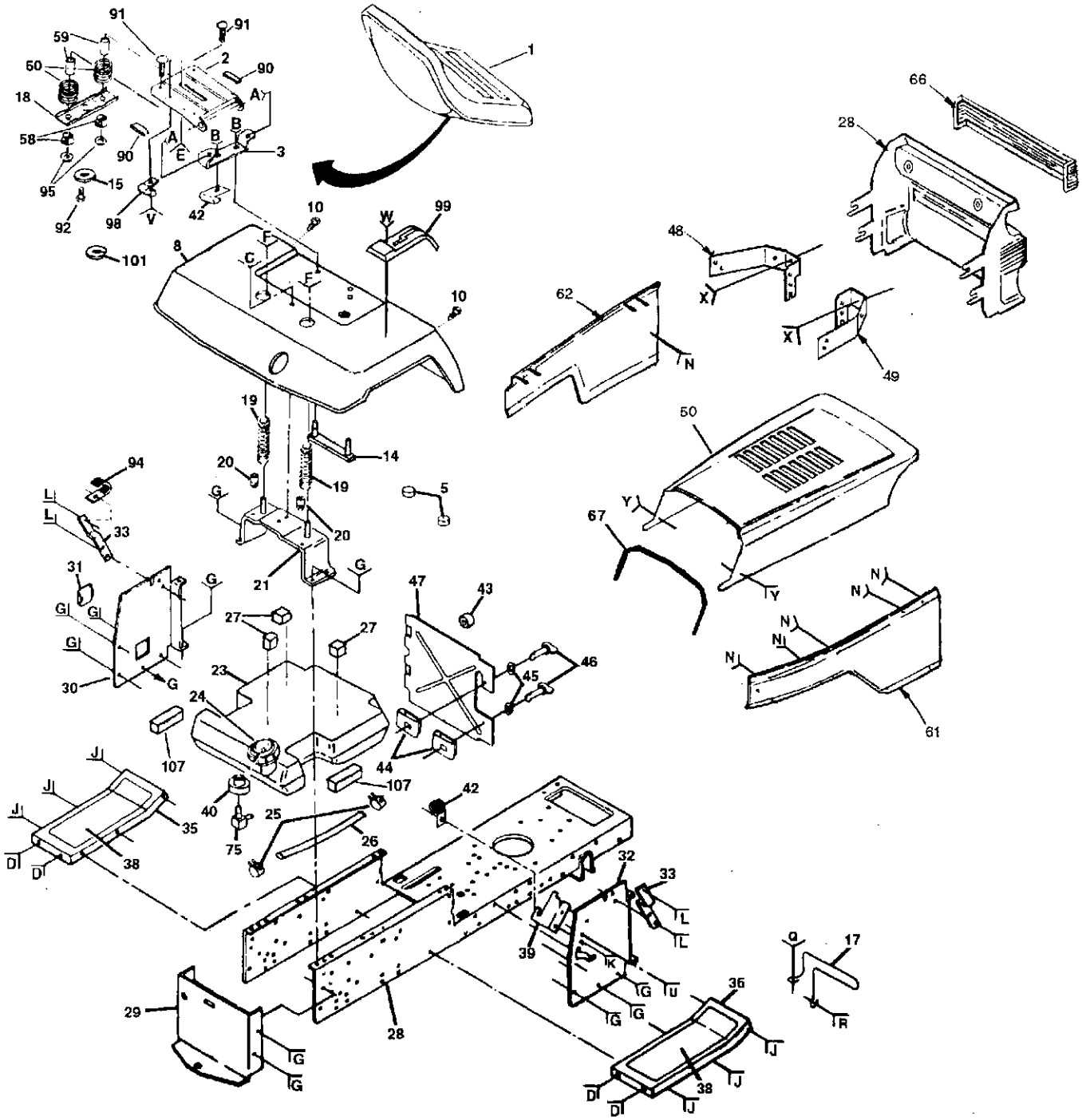
* STANDARD HARDWARE—PURCHASE LOCALLY

NOTE: All component dimensions given in U. S. inches.
1 inch = 25.4 mm

REPAIR PARTS

18 HP 44" TRACTOR - - MODEL NUMBER 917.255890

CHASSIS AND ENCLOSURES



- | A | B | C | D | E | F | G | H | J | K | L | N | O | Q | R | U | V | W | X |
|---|---|----|----|----|----|----|----|----|----|----|----|-----|----|-----|-----|----|-----|----|
| 4 | 7 | 11 | 13 | 13 | 85 | 11 | 11 | 37 | 13 | 13 | 54 | 104 | 83 | 100 | 100 | 96 | 103 | 77 |
| 6 | | | 12 | | 7 | 79 | 88 | 7 | 70 | 7 | | | 84 | 7 | 12 | 97 | 102 | 64 |
| | | | 7 | | | | 89 | | | | | | 84 | | 7 | | 86 | |

REPAIR PARTS

18 HP 44" TRACTOR - - MODEL NUMBER 917.255890

CHASSIS AND ENCLOSURES

KEY NO.	PART NO.	DESCRIPTION	KEY NO.	PART NO.	DESCRIPTION
1	127437	Seat	48	136814	Bracket, Asm Hinge Front L.H.
2	131451	Pan, Seat	49	136813	Bracket, Asm Hinge Front R.H.
3	126656X	Bracket, Pivot, Seat	50	136673	Hood
4	105529X	Bolt, Shoulder 5/16-18	54	108067X	Nut, Pal
5	124238X	Cap, Spring	55	137694	Grill
6	STD541431	* Nut, Crownlock 5/16-18	58	121248X	Bushing, Snap
7	STD541437	* Nut, Crownlock 3/8-16	59	134300	Spacer, Split
8	123784X417	Fender	60	121250X	Spring, Compression
10	17490608	Screw, Hex Washer Thd. Roll 3/8-16 x 1/2	61	136670X417	Panel, Side, R.H.
11	17490612	Screw, Hex Washer Thd. Roll 3/8-16 x 3/4	62	136671X417	Panel, Side, L.H.
12	19131312	Washer 13/32 x 13/16 x 12 Ga.	64	10040400	Washer, Lock
13	STD523707	* Bolt, Hex, 3/8-16 x 3/4	66	136374	Lens, Clear Bar
14	105511X	Strap, Fender	67	137304	Rod Supoprt Hood
15	19171912	Washer 17/32 x 1-3/16 x 12 Ga.	75	8710J	Stem, Tank, Fuel
17	135029	Guard, Muffler	77	74760408	Bolt, Fin. Hex 1/4-20 Unc x 1/2
18	121246X	Bracket, Switch, Seat	79	11050600	Washer, Lock, Ext. Tooth 3/8
19	124181X	Compression, Spring	83	17490616	Bolt, Hex Washer Thread Rolling 3/8-16 x 1
20	105531X	Nut, Push	84	19131616	Washer, 13/32 x 1 x 16 Ga.
21	105509X	Bracket, Fender	85	19131614	Washer, 13/32 x 1 x 14 Ga.
23	127334X	Tank, Fuel	86	19060718	Washer, 3/16 x 7/16 x 18 Ga.
24	123549X	Cap, fuel	87	106909X	Screw, Special
25	123487X	Clamp, Hose	88	106910X	Washer
26	5277J	Line, Fuel	89	108402X	U-Clip
27	106082X	Pad, Spacer	90	121251X	Strip, Foam
28	127166X	Chassis Assembly	91	72170410	Bolt, Carr. 1/4-20 x 1-1/4
29	123785X	Drawbar	92	74780814	Bolt, Fin Hex 1/2-13 x 7/8 Gr. 5
30	124118X	Panel, Dash, L.H.	93	127018X	Bolt, Shoulder 5/16-18 x .62
31	121794X	Cover, Access	94	5320R	Clip, Insulated
32	133748	Panel, Dash, R. H.	95	123976X	Nut, Hex Large Flange
33	138193	Bracket, Support, Dash	96	STD511005	* Screw, Sltd. Pan Head #10-24 x 1/4
35	105465X417	Footrest, L.H.	97	73951000	Nut, Keps #10-24
36	105464X417	Footrest, R.H.	98	4171R	Clip, Insulated
37	STD533707	* Bolt, Carr. 3/8-16 x 3/4	99	123825X	Console, Shifter
38	105466X	Pad, Footrest	100	STD533710	* Bolt, Carriage 3/8-16 UNC x 1
39	110923X	Bracket, Clutch, Mower	101	STD551150	* Washer, Lock 1/4
40	3645J	Bushing	102	10100800	Washer, Lock
42	2751R	Clip, Insulated	103	74640806	Screw #8 x 3/8
43	110436X	Grommet, Split	104	120579X	Nut, Pal
44	105839X	Receptacle	107	109227X	Pad, Spacer
45	105838X	Retainer			
46	123650X	Stud, 1/4 Turn			
47	105867X	Shield, Heat			

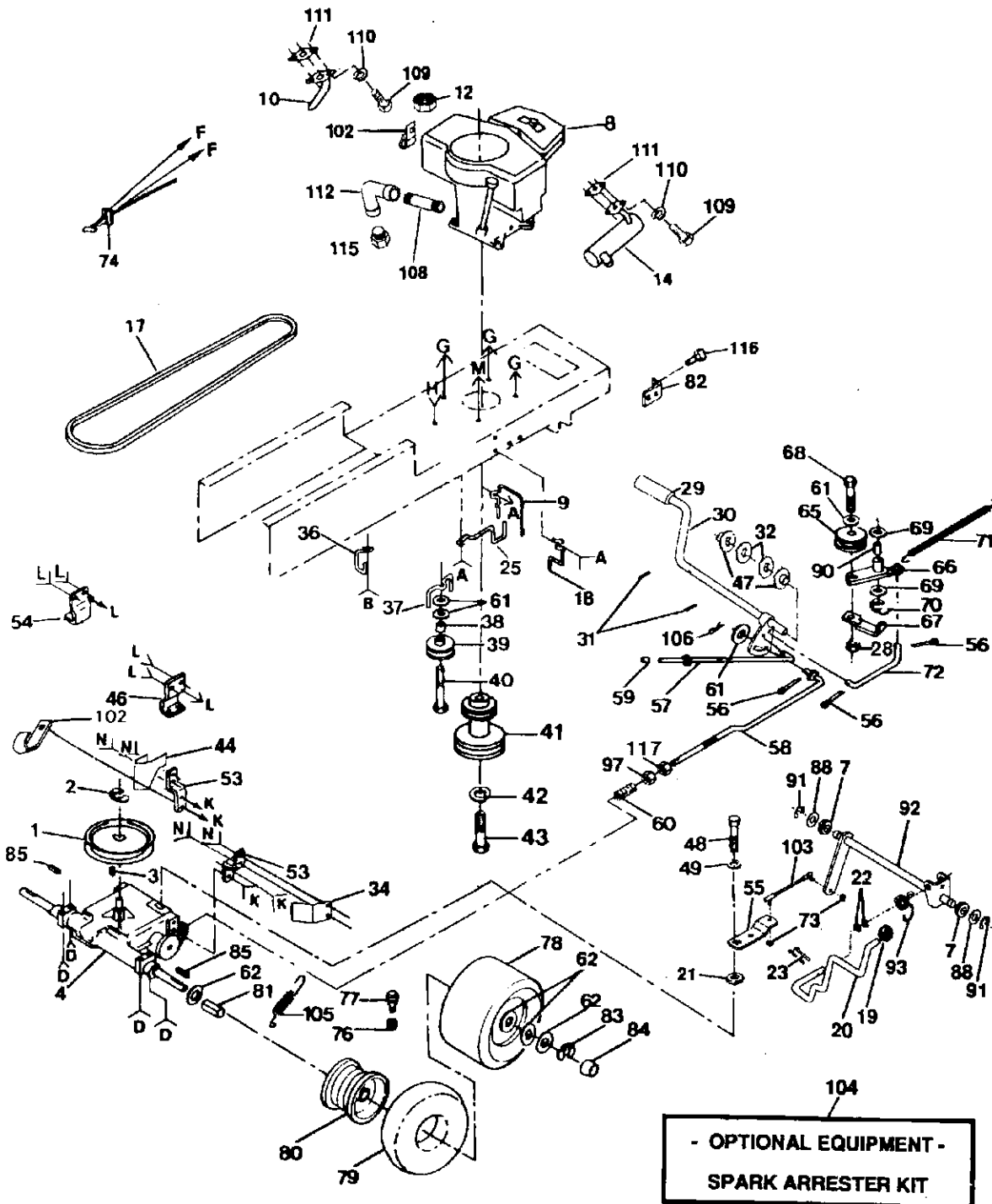
* STANDARD HARDWARE — PURCHASE LOCALLY

NOTE: All component dimensions given in U.S. inches.
1 inch = 25.4 mm

REPAIR PARTS

18 HP 44" TRACTOR -- MODEL NUMBER 917.255890

DRIVE



- | | | | | | | | | | |
|----------|----------|----------|----------|----------|----------|----------|----------|----------|----------|
| A | B | D | F | G | H | K | L | M | N |
| | | | | | | | | | |
| | | | | | | | | | |
| | | | | | | | | | |
| | | | | | | | | | |
| | | | | | | | | | |

REPAIR PARTS

18 HP 44" TRACTOR - - MODEL NUMBER 917.255890

DRIVE

KEY NO.	PART NO.	DESCRIPTION	KEY NO.	PART NO.	DESCRIPTION
1	121327X	Pulley, Transaxle (Driven)	62	123800X	Washer 1-1/32 x 1-5/8 x 16
2	12000004	Ring, Retainer	65	127783	Pulley, Idler, V. Groove
3	2228M	Key, Woodruff #9	66	123789X	Arm, Idler
4	123797X	Transaxle, 6-Speed, Peerless Model No. 143.820-016	67	123205X	Retainer, Belt
6	19111214	Washer 11/32 x 3/4 x 14 Ga.	68	STD523715	* Bolt, Hex 3/8-16 X 1-1/2
7	71208	Bushing, Rod, Steering	69	110812X	Washer, Hardened
8	137620	Engine, Briggs & Stratton 18 HP Model No. 422707, Type 1254-01	70	12000039	Ring, Clip
9	121440X	Guide, Belt Lower Engine	71	105709X	Spring, Return, Clutch
10	100229L	Tube Assembly, Exhaust	72	105710X	Link, Clutch
12	STD541437	* Nut, Keps 3/8-16	73	73530400	Nut 1/4-28
14	108373X	Muffler	74	132755	Control, Throttle
17	123796X	V-Belt, Drive	75	17720410	Screw, Hex, Thread Cutting 1/4-20 x 5/8
18	121441X	Guide, Belt Lower Engine	76	59192	Cap, Valve
19	106933X	Knob	77	65139	Stem, Valve
20	123781X	Rod, Shifter	78	124106X	Tire, Rear
21	105701X	Washer, Shift Plate	79	7152J	Tube(Optional, Service Item Only)
22	19171216	Washer 17/32 x 3/4 x 16 Ga.	80	124074X361	Rim
23	STD561210	* Pin, Cotter 1/8 x 1	81	108097X	Spacer, Split
24	17490612	Screw, Hex Washer Hd. Thd. Roll. 3/8-16 x 3/4	82	108236X	Bracket, Switch
25	129921	Keeper, Belt, Engine, L.H., LT	83	12000053	E-Ring
26	STD523710	* Bolt, Hex 3/8-16 x 1	84	104757X	Cap Hub, Rear
27	19131312	Washer 13/32 x 13/16 x 12 Ga.	85	9396E	Key Square 1/4 x 2
28	73680600	* Nut, Crownlock 3/8-16	87	17490624	Bolt, Hex, Washer, Thread Rolling 3/8-16 x 1-1/2
29	8883R	Cover, Foot Pedal	88	19212016	Washer 21/32 x 1-1/4 x 16 Ga.
30	122424X	Shaft, Foot Pedal	89	STD523707	* Bolt Hex 3/8-16 x 3/4
31	1572H	Pin, Roll 3/16 x 1	90	105706X	Bearing
32	STD551062	* Washer 21/32 x 1 x 16 Ga.	91	12000008	Ring, Klip
34	123792X	Keeper, Belt, Transaxle, R.H.	92	123772X	Shaft Assembly, Shifter
36	136715	Keeper, Chassis Center Span	93	123782X	Spring, Torsion
37	109070X	Keeper, Belt	94	STD551237	* Washer, Lock, Ext. Tooth 3/8
38	4470J	Spacer	97	STD541437	* Locknut 3/8-16
39	123674X	Idler, Flat	101	17490512	Screw, Hex, Washer Thd. Rolling 5/16-18 x 3/4
40	STD523727	* Bolt, Hex 3/8-16 x 2-3/4	102	2751R	Clip, Fuel Line
41	134826	Pulley, Engine	103	123793X	Rod, Tie
42	10040700	Washer, Lock	104	132922	Spark Arrester Kit
43	71170768	Bolt, Hex 7/16-20 x 4-1/4, Gr. 5	105	110422X	Spring, Brake Return
44	123791X	Keeper, Belt, Transaxle, L.H.	106	4497H	Clip, Hair Pin
46	123776X	Bracket Transaxle, RH.	108	13280336	Nipple, Pipe
47	120183X	Bearing Nylon	109	STD522507	* Bolt, Hex 1/4-20 x 3/4
48	71040412	* Bolt, Hex 1/4-28 x 3/4	110	STD551125	* Washer, Lock 1/4
49	STD551025	* Washer 9/32 x 3/4 x 16 Ga.	111	8545J	Gasket
51	STD541431	* Nut, Crownlock 5/16-18	112	13200300	Elbow, Pipe STD 90°
52	74780544	* Bolt, Hex 5/16-18 x 2-3/4	115	-----	Plug, Oil (Order from Mfg.)
53	123787X	Strap, Torque	116	STD601005	* Screw, Tap Hex Hd. #10-24 x 1/2
54	123780X	Bracket, Transaxle, L.H.	117	73350600	Nut, Hex Jam 3/8-16 UNC
55	123794X	Shift Arm			
56	STD561210	* Pin, Cotter 1/8 x 3/4			
57	133261	Rod, Brake, Park			
58	123786X	Rod, Brake			
59	124236X	Cap, Plunger			
60	126909X	Spring, Rod, Brake			
61	STD551037	* Washer 13/32 x 13/16 x 16 Ga.			

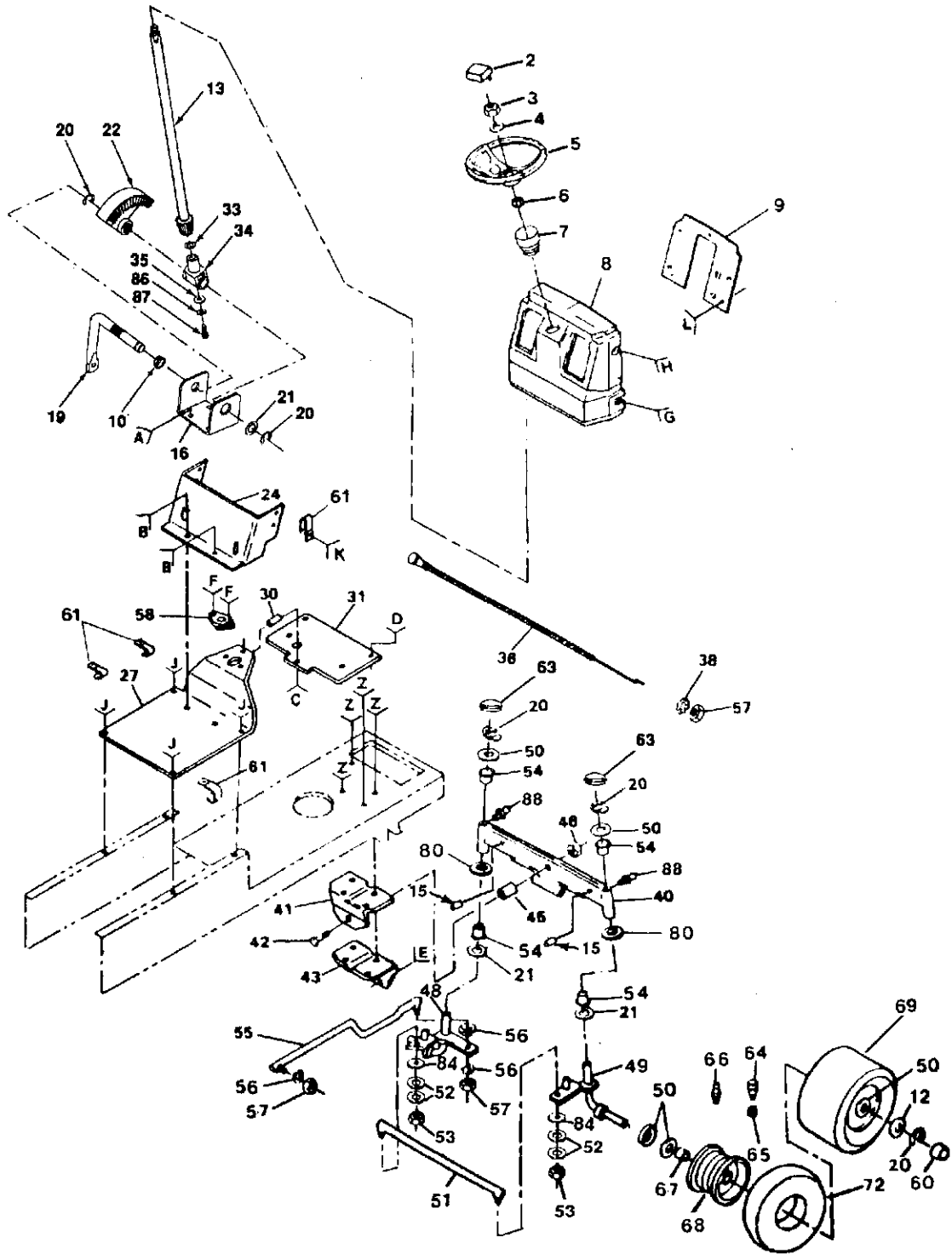
* STANDARD HARDWARE — PURCHASE LOCALLY

NOTE: All component dimensions given in U. S. inches.
1 inch = 25.4 mm

REPAIR PARTS

18 HP 44" TRACTOR -- MODEL NUMBER 917.255890

STEERING



- | | | | | | | | | | | | |
|----------|----------|----------|----------|----------|----------|----------|----------|----------|----------|----------|----------|
| A | B | C | D | E | F | G | H | J | K | L | Z |
| | | | | | | | | | | | |
| | | | | | | | | | | | |
| | | | | | | | | | | | |
| | | | | | | | | | | | |
| | | | | | | | | | | | |

REPAIR PARTS

18 HP 44" TRACTOR - - MODEL NUMBER 917.255890

STEERING

KEY NO.	PART NO.	DESCRIPTION	KEY NO.	PART NO.	DESCRIPTION
2	133742	Insert, Steering Wheel	45	110438X	Spacer Bearing, Front Axle
3	73940800	* Locknut, Top 1/2-20 UNF	46	73601000	Locknut, Hex W/washer 5/8-11
4	100712K	Washer	47	17490508	Screw, Hex Washer Thd. Rolling 5/16-18 x 1/2
5	133741	Wheel, Steering	48	135227	Spindle, L.H.
6	100711L	* Adapter-Steering Wheel	49	135228	Spindle, R.H.
7	106015X	Sleeve-Steering	50	121749X	Washer 25/32 x 1-1/4 x 16 Ga.
8	136696	Dash	51	130467	Rod, Tie
9	129621X016	Plate, Dash	52	STD551131	* Washer, Lock 5/16
10	109816X	Nyliner, Snap-In	53	STD541131	* Nut, Hex 5/16-24
11	17490608	Screw, Hex Washer Thd. Rolling 3/8-16-1/2	54	3366R	Bearing
12	121748X	Washer 25/32 x 1-5/8 x 16 Ga.	55	130468	Link, Drag
13	128755	Shaft, Steering	56	STD551137	* Washer, Lock 3/8
15	132624	Pin, Axle 5/8 x 1.55/1.54	57	STD541137	* Nut, Hex 3/8-24
16	124036X	Bracket, Steering	58	1554J	Bushing, Steering
18	17490612	Screw, Hex Washer Thd. Rolling 3/8-16 x 3/4	59	17431008	Screw, Hex #10-16 x 1/2
19	127501	Shaft, Pitman	60	104757X	Cap, Hub, Front
20	12000029	Ring, Klip	61	2751R	Clip, Fuel Line
21	6266H	Bearing, Thrust	62	STD541037	* Nut, Hex 3/8-16
22	136874	Gear, Sector	63	121232X	Spindle, Cap
24	105518X	Dash, Lower	64	59192	Cap, Valve
25	74180512	Screw, Crown Truss Hd. 5/16-18 x 3/4	65	65139	Stem, Valve
26	STD541431	* Nut, Crownlock 5/16-18	66	278H	Fitting, Grease
27	123783X016	Saddle	67	9040H	Bearing
28	STD541437	* Nut, Crownlock 3/8-16	68	106732X361	Rim, Front
29	STD523120	* Bolt, Hex 5/16-18 x 2	69	106222X	Tire, Front
30	121236X	Spacer	72	59904	Tube (Optional, Service Item Only)
31	128231	Support Plate, Battery	73	72110622	Bolt, Carriage Hex 3/8-16 x 2-3/4
32	STD523707	* Bolt, Hex 3/8-16 x 3/4	74	121235X	Spacer
33	57079	Washer	75	19131416	Washer 13/32 x 7/8 x 16 Ga.
34	124035X	Shaft, Support	77	STD512507	* Screw, Pan Head 1/4-20 x 3/4
35	126684X	Washer 5/8 x 1/4 x 16 Ga.	78	19091216	Washer 13/32 x 3/4 x 16 Ga.
36	132780	Control, Choke	79	73510400	Nut, Keps 1/4 NC
38	STD551237	* Washer, Lock, Int./Ext. Tooth 3/8	80	19272016	Washer 27/32 x 1-1/4 x 16 Ga
39	72110608	Bolt, Carriage	82	122819X	Screw, Special 3/8-16 x 3/4
40	108075X	Axle, Front	84	19111216	Washer 11/32 x 3/4 x 16 Ga.
41	105663X	Support, Saddle, Rear	86	STD551125	* Washer, Lock 1/4
42	74761060	Bolt, Hex 5/8-11 x 3-3/4	87	71070410	Screw, Socket Hex 1/4 x 20 x 5/8
43	105664X	Support, Saddle, Front	88	6855M	Fitting, Grease

* STANDARD HARDWARE — PURCHASE LOCALLY

NOTE: All component dimensions given in U.S. inches.
1 inch = 25.4 mm

REPAIR PARTS

18 HP 44" TRACTOR - - MODEL NUMBER 917.255890

LIFT ADJUSTMENT

KEY NO.	PART NO.	DESCRIPTION
1	106933X	Knob
2	110924X	Lever, Mower Clutch
3	138170	Bracket, Pivot
4	73710700	Nut, Crownlock Jam 7/16-20 UNF
5	STD523707	* Bolt, Hex 3/8-16 x 3/4
6	106451X	Bolt, Shoulder
7	108387X	Rod, Clutch, Primary
8	76020412	Pin, Cotter 1/8 x 3/4
9	106308X	Trunnion, Lift Lower
10	109728X	Bellcrank
12	106444X	Bracket, Bellcrank
13	12000037	Ring, Klip
14	100734K	Knob, Height Adjustment
15	110807X	Nut, Special
16	110729X	Rod, Adjust, Lift
17	2876H	Spring
18	19131016	Washer 13/32 x 5/8 x 16 Ga
20	121000X	Shaft, Lift
21	121002X	Lever, Lift (Incl. Key No. 22)
22	121006X	Rod, Lever
23	122364X	Plunger, Lever
24	125631X	Grip, Handle
25	STD523715	* Bolt 3/8-16 x 1-1/2
27	110739X	Washer, Spring 3/8
28	110810X	Trunnion, Stop Depth
29	19151216	Washer 15/32 x 3/4 x 16 Ga.
30	9135R	Clip, Retainer
31	4939M	Spring, Retainer
32	110447X	Trunnion, Lift
33	4921H	Retainer Spring
34	19171516	Washer 17/32 x 15/16 x 16 Ga.
35	110448X	Link, Lift Adjust
36	110029X	Link, Lift
38	STD541237	* Nut, Hex Jam 3/8-16
40	121599X	Arm, Suspension, L.H.
41	105848X	Bolt, Shoulder 3/8-16
42	121598X	Arm, Suspension, R.H.
43	STD541050	* Nut, Hex Fin. 1/2-13
44	58606	Spring
45	76020308	Pin, Cotter 3/32 x 1/2
46	19131410	Washer 13/32 x 7/8 x 10 Ga.
47	73980600	Locknut 3/8-16
48	12000022	E-Ring
49	19292016	Washer 29/32 x 1-1/4 x 16 Ga
50	73360700	Nut 7/16-20 UNF
51	121252X	Upstop, Mower
52	72140608	Bolt, Carriage 3/8-16 x 1
53	73680600	Nut, Crownlock 3/8-16
54	122365X	Button, Plunger

* STANDARD HARDWARE — PURCHASE LOCALLY

NOTE: All component dimensions given in U.S. inches.
1 inch = 25.4 mm

REPAIR PARTS

18 HP 44" TRACTOR - - MODEL NUMBER 917.255890

MOWER

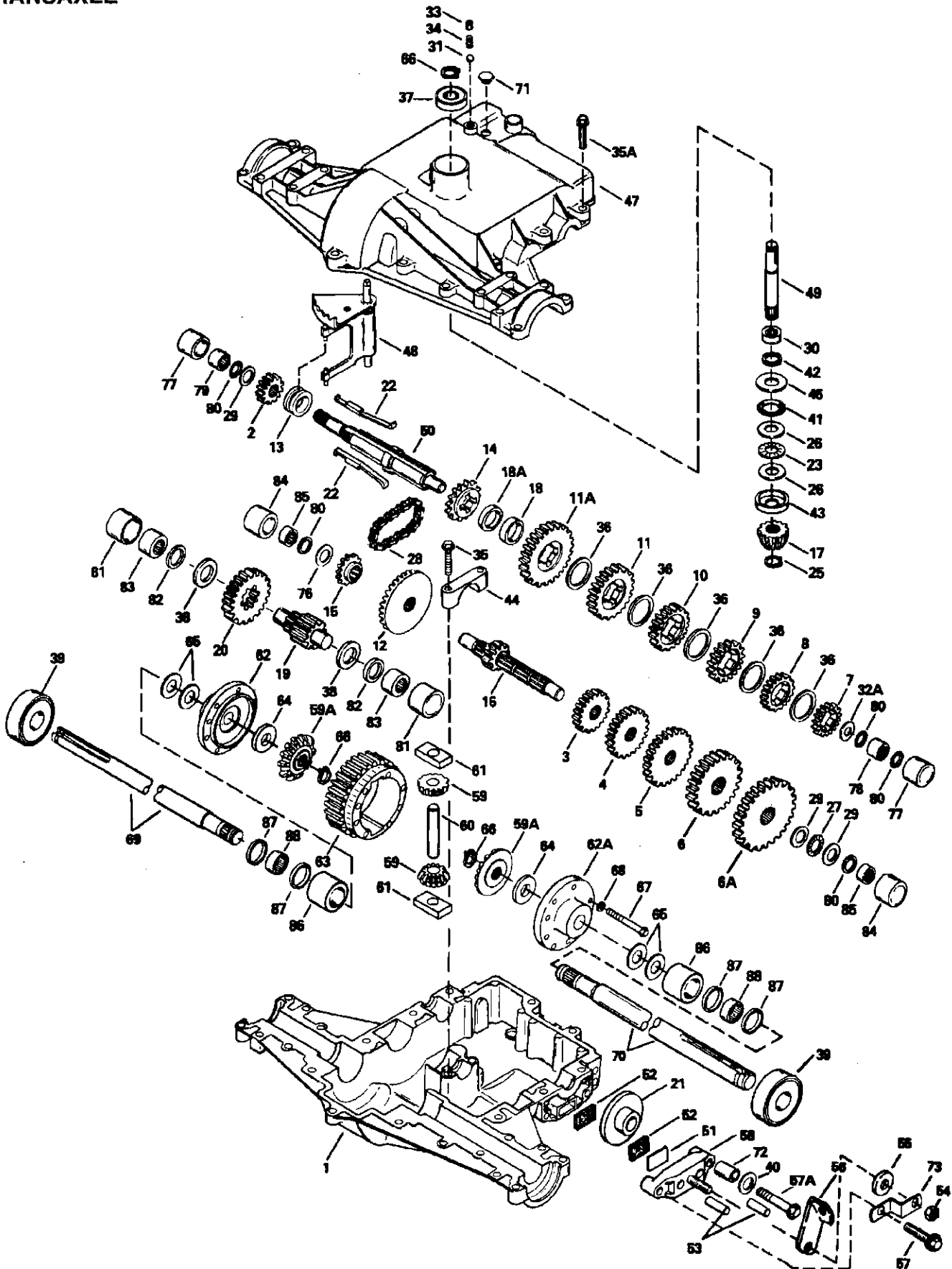
KEY NO.	PART NO.	DESCRIPTION	KEY NO.	PART NO.	DESCRIPTION
1	121423X	Housing, Mower	51	STD551031	* Washer 11/32 x 11/16 x 16 Ga.
2	129762	Stop Assembly, Link, Parallel	52	STD523112	* Bolt, Hex 5/16-18 x 1-1/4
3	4921H	Retainer, Spring	53	108394X	Rod, Brake
4	105744X	Pin, Front Hinge	54	STD560907	* Pin, Cotter 3/32 x 3/4
7	73680600	Nut, Crownlock 3/8 -16	55	110384X	Shaft, Rock
8	109835X	Pin, Rear Hinge	56	108393X	Support, Shaft Rock
9	106512X	Bracket, Lift R. H.	58	136321	Runner, R.H.
10	106511X	Bracket, Lift L. H.	60	102924X	Guard, Belt-R.H.
11	STD533107	* Bolt, Carriage 5/16-18 x 3/4	61	74760580	Bolt, Hex 5/16-18 x 5
12	73680500	Nut, Crownlock 5/16-18	62	109785X	Shield, Deflector
13	19131614	Washer 13/32 x 1 x 14 Ga.	63	106734X	Spring
14	102932X	Idler, Flat	64	106735X	Rod, Hinge
15	106526X	Arm, Idler Deck	65	137607	Bracket, Deflector
16	74110632	Screw, Flat Hd. 3/8-16 x 2	66	19111016	Washer 11/32 x 5/8 x 16 Ga.
17	STD523712	* Bolt, Hex 3/8-16 x 1-1/4	67	110452X	Nut, Push
18	106513X	Washer, Wear	68	STD533707	* Bolt, Carriage 3/8-16 x 3/4
19	106902X	Spacer	69	STD623715	* Bolt, Hex 3/8-24 x 1-1/2 Gr. 5
20	72110505	Bolt, Carriage 5/16-18 x 5/8	70	106635X	Blade
21	102403X	Pulley, Idler	71	STD551137	* Washer, Lock 3/8
22	121424X	Arm, Idler	72	19132012	Washer 13/32 x 1-1/4 x 12 Ga.
23	121426X	Guide, Belt	73	17490612	Screw, Hex Washer Thd. Rolling 3/8- 16 x 3/4
24	72110506	Bolt, Carriage 5/16-18 x 3/4	74	7644J	Spring, Extension
25	106530X	Spring	75	72140612	Bolt, Carriage 3/8-16 x 1-1/2
26	19111216	Washer 11/32 x 3/4 x 16 Ga.	76	106085X	V-Belt
27	1685H	Locknut 5/16-18	77	72140616	Bolt, Carriage 3/8-16 x 2
29	123807X	Bracket, Suspension Rear R.H.	81	105304X	Cap, Sleeve
30	108235X	Rod, Clutch	82	STD523710	* Bolt, Hex 3/8-16 x 1
31	123808X	Bracket, Suspension Rear L.H.	84	STD541037	* Nut, Hex 3/8-16
32	136818	Mandrel, Secondary	85	STD541031	* Nut, Hex 5/16- 18
33	106529X	Guide, Belt	86	STD551131	* Washer, Lock 5/16
34	677A451	Pulley, Idler	89	74760412	Bolt, Hex 1/4-20 x 3/4
36	106523X	Bar, Support Idler	90	19091616	Washer 9/32 x 1 x 16 Ga.
37	106522X	Brace, Idler Deck	91	73680400	Nut, Crownlock 1/4-20
38	121236X	Spacer	92	121316X	Pully, Idler
40	STD523730	* Bolt, Hex 3/8-16 x 3	93	121352X	Keeper, Belt
41	STD533710	* Bolt, Carriage 3/8-16 x 1	94	19131316	Washer 13/32 x 13/16 x 16 Ga.
42	121704X	Mandrel, Primary	95	19131410	Washer 13/32 x 7/8 x 10 Ga.
43	7631J	Runner, L.H.	—	121825X	Replacement Mower Deck
44	106214X	Guard			
45	121427X	Spring, Extension			
46	121827X	Bolt, Shoulder			
47	73930600	Nut, Centerlock 3/8-16			
49	106606X	Arm, Brake			
50	102951X	Brake, Block			

*STANDARD HARDWARE — PURCHASE LOCALLY
NOTE: All component dimensions given in U.S. inches.
 1 inch = 25.4 mm

REPAIR PARTS

18 HP 44" TRACTOR - - MODEL NUMBER 917.255890
PEERLESS TRANSAXLE MODEL NUMBER 143.820-016

TRANSAXLE



REPAIR PARTS

18 HP 44" TRACTOR - - MODEL NUMBER 917.255890 PEERLESS TRANSAXLE MODEL NUMBER 143.820-016

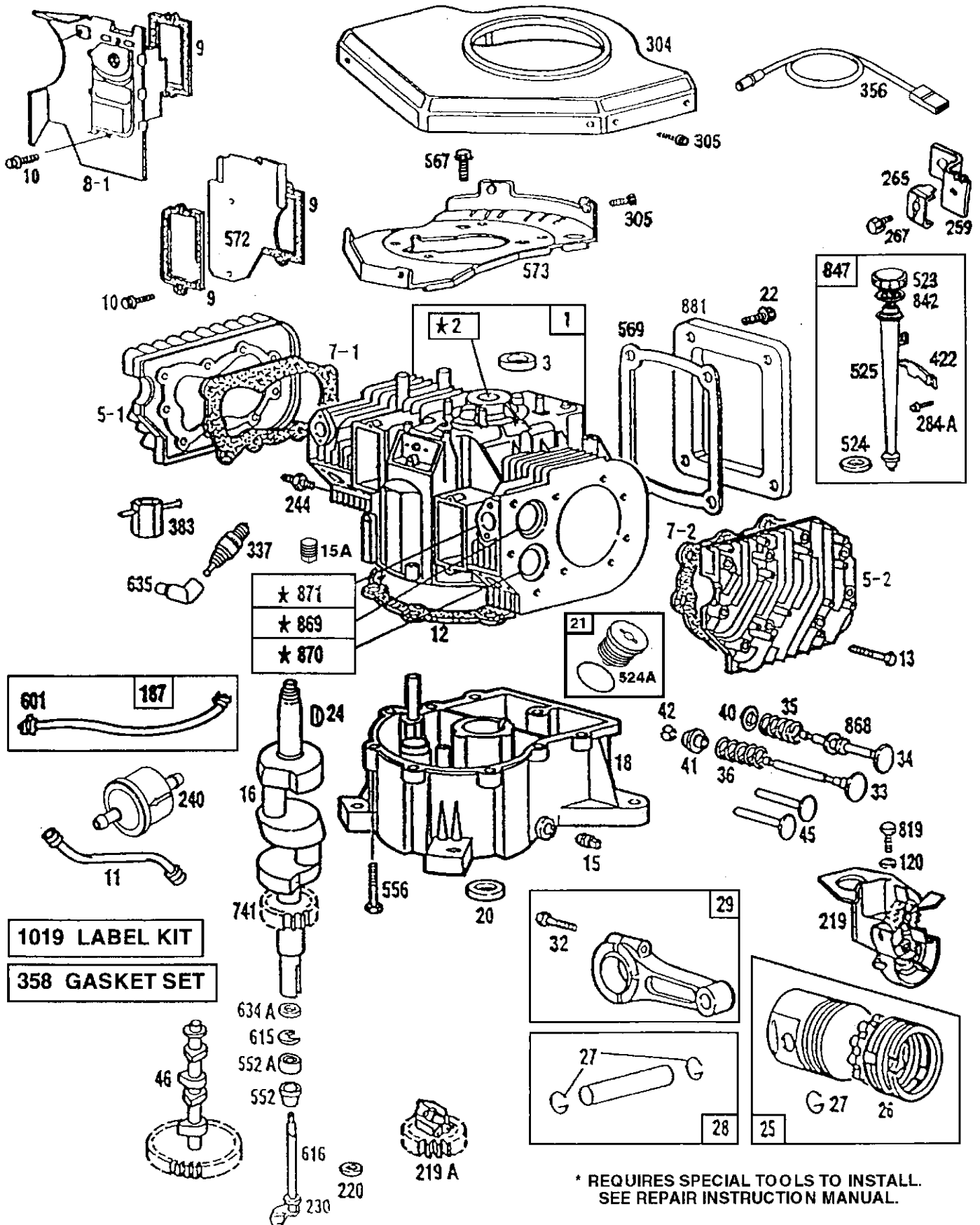
REF PART NO. NO.	DESCRIPTION	REF PART NO. NO.	DESCRIPTION
1 770088	Case, Transaxle	47 772098	Cover, Transaxle
2 778253	Gear, Spur 15 Teeth	48 784342	Rod and Fork Assembly, Shift
3 778211	Gear, Spur 12 Teeth	49 776274	Shaft, Input
4 778240	Gear, Spur 18 Teeth	50 776313	Shaft, Brake, 4 Keyed
5 778201	Gear, Spur 25 Teeth	51 790007	Plate, Brake Pad
6 778202	Gear, Spur 28 Teeth	52 790006	Pad, Brake
6A 778208	Gear, Spur 31 Teeth	53 786026	Pin, Dowel
7 778209	Gear, Spur 19 Teeth	54 792075	Locknut 5/16-24
8 778203A	Gear, Spur 22 Teeth	55 792076	Washer, Flat
9 778204A	Gear, Spur 25 Teeth	56 790047	Lever, Brake
10 778239A	Gear, Spur 32 Teeth	57 792073	Screw, Flanged Hex Head, Thread Forming 1/4-20 x 1-1/4
11 778207A	Gear, Spur 37 Teeth	57A 792085	Screw, Flanged Hex Head, Thread Forming 1/4-20 x 2-1/4
11A 778216A	Gear, Spur 41 Teeth	58 790025	Holder, Brake Pad
12 778246	Gear, Bevel 33 Teeth	59 778197	Pinion, Differential Bevel
13 784216	Collar, Shift	59A 778198	Gear, Bevel
14 786123	Sprocket 18 Teeth	60 786019	Pin, Drive
15 786082	Sprocket 9 Teeth	61 786027	Block, Drive
16 776291	Shaft, Counter (with 9 Tooth Gear)	62 774833	Carrier, Differential, Threaded Holes
17 778245	Bevel Pinion, Input 13 Teeth	62A 774834	Carrier, Differential
18 786121	Spacer, Neutral .350/.340 Thick	63 778248	Gear, Ring 31 Teeth
18A 786122	Spacer, Neutral .276/.268 Thick	64 780107	Washer
19 776275	Shaft, Output 9 Teeth	65 780042	Washer, Thrust
20 778247	Gear, Output 35 Teeth	66 792018	Ring, Snap
21 790043	Disk, Brake	67 792020	Screw, Hex Head 1/4-20 x 2-1/4
22 792138	Key	68 792006	Washer, Lock 1/4
23 780084	Bearing, Thrust	69 774832	Axle 12-5/16"
25 788040	Ring, Retaining	70 774831	Axle 16-3/16"
26 780051	Washer, Thrust	71 792074	Plug, Hex Head 9/16-18 Thread
27 780071	Bearing, Thrust	72 786067	Spacer
28 786081	Chain, Roller (Number 41 Chain, 24 Links)	73 786086	Bracket, Brake Lever
29 780072	Washer, Thrust	76 780153	Washer
30 780155	Bearing, Needle	77 786144	Sleeve, Stepped
31 792077	Ball, Steel	78 780150	Bearing, Needle
32A 780139	Washer, Thrust	79 780152	Bearing, Needle, Capped
33 792078	Screw, Set 3/8-16 x 3/8	80 792001	"O" Ring
34 792079	Spring	81 786142	Sleeve, Stepped
35 792073	Screw, Flanged Hex Head, Thread Forming 1/4-20 x 1-1/4	82 788071	Ring, Square Cut
35A 792129	Screw, Hex Head, Thread Forming 5/16-18 x 1-1/4	83 780049	Bearing, Needle, Capped
36 780108	Washer, Thrust	84 786143	Sleeve, Stepped
37 780119	Bearing, Ball	85 780151	Bearing, Needle, Capped
38 780128	Washer, Thrust	86 786145	Sleeve, Stepped
39 780050	Bearing, Ball	87 788070	Ring, Square Cut
40 792128	Washer, Flat	88 780031	Bearing, Needle
41 788077	"O" Ring		
42 788042	Seal, Oil		
43 780166	Washer, Cupped		
44 786131	Cap, Bearing		
45 780165	Washer, Flat		

NOTE: All component dimensions given in U.S. inches
1 inch = 25.4 mm

REPAIR PARTS

18 HP 44" TRACTOR -- MODEL NUMBER 917.255890

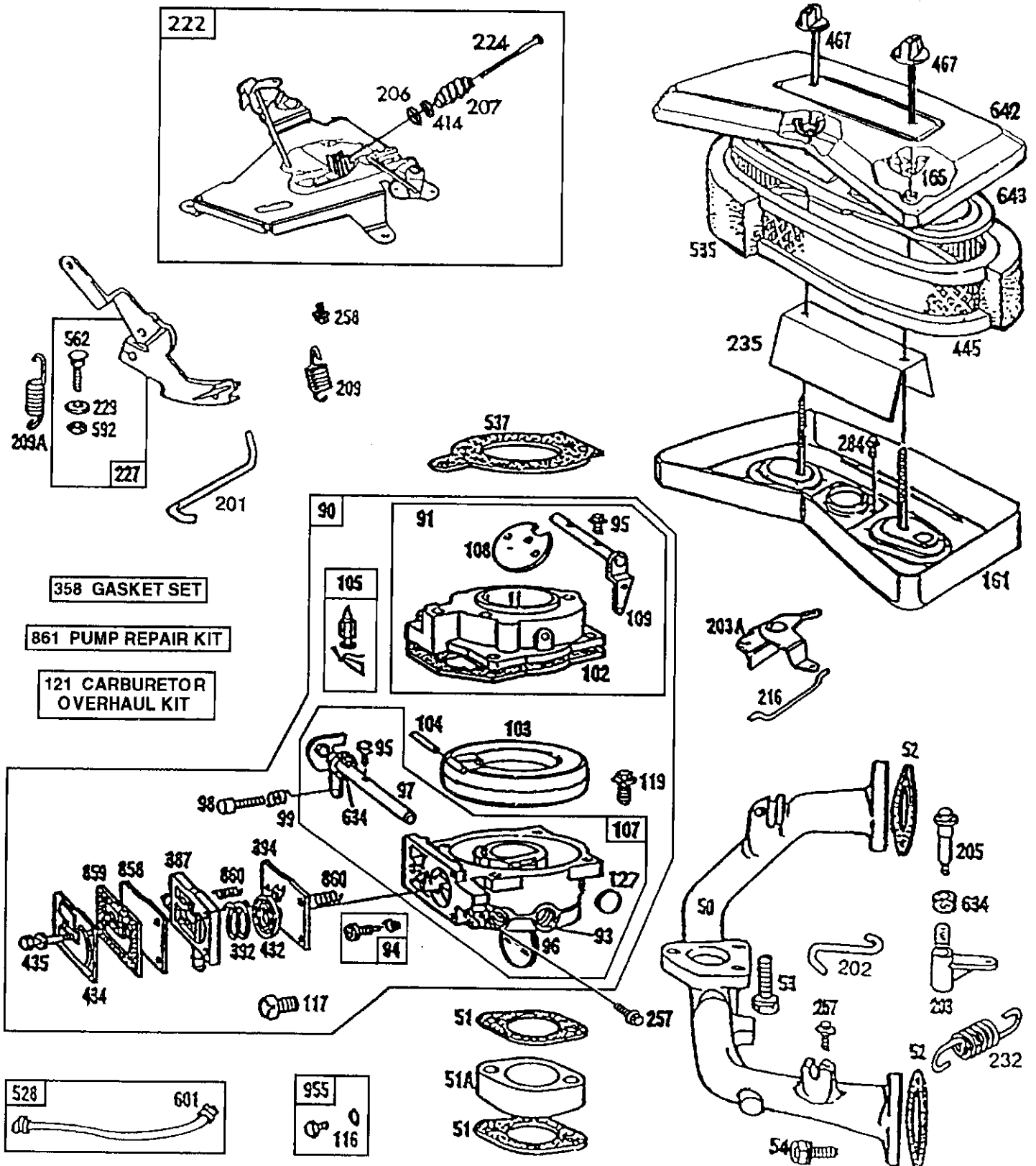
ENGINE BRIGGS & STRATTON - MODEL NUMBER 422707, TYPE NUMBER 1254-01



REPAIR PARTS

18 HP 44" TRACTOR - - MODEL NUMBER 917.255890

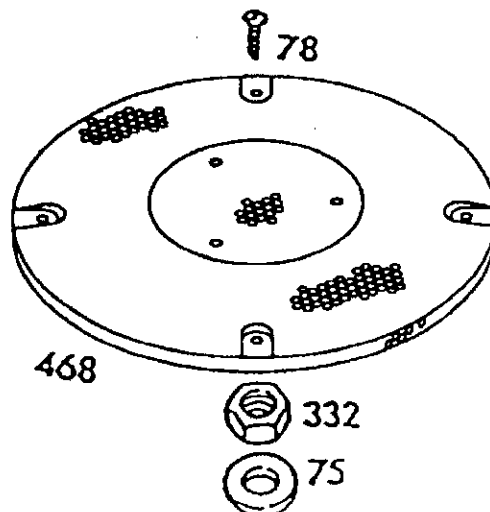
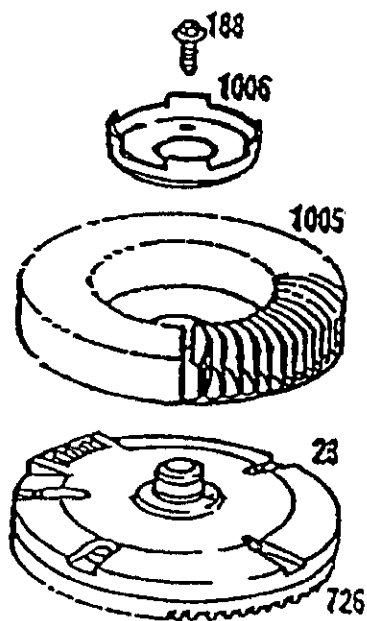
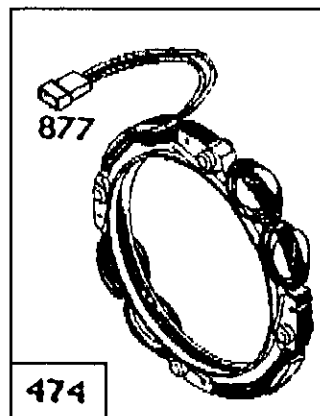
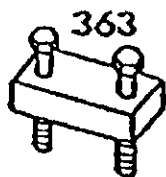
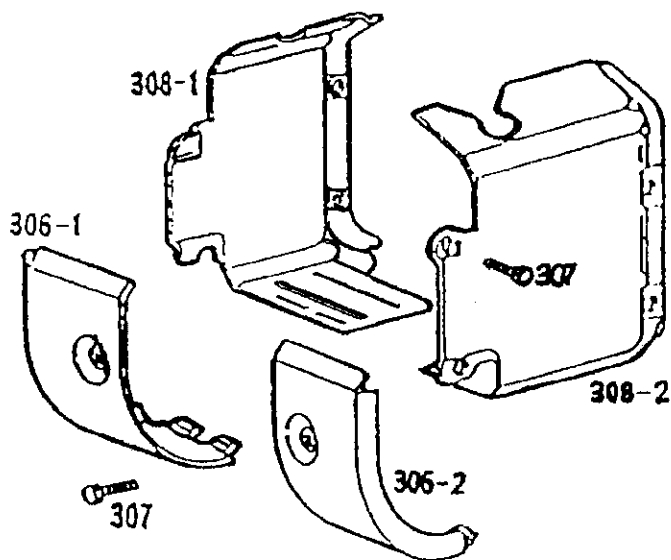
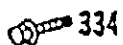
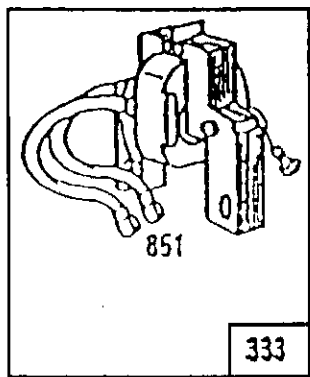
ENGINE BRIGGS & STRATTON - MODEL NUMBER 422707, TYPE NUMBER 1254-01



REPAIR PARTS

18 HP 44" TRACTOR - - MODEL NUMBER 917.255890

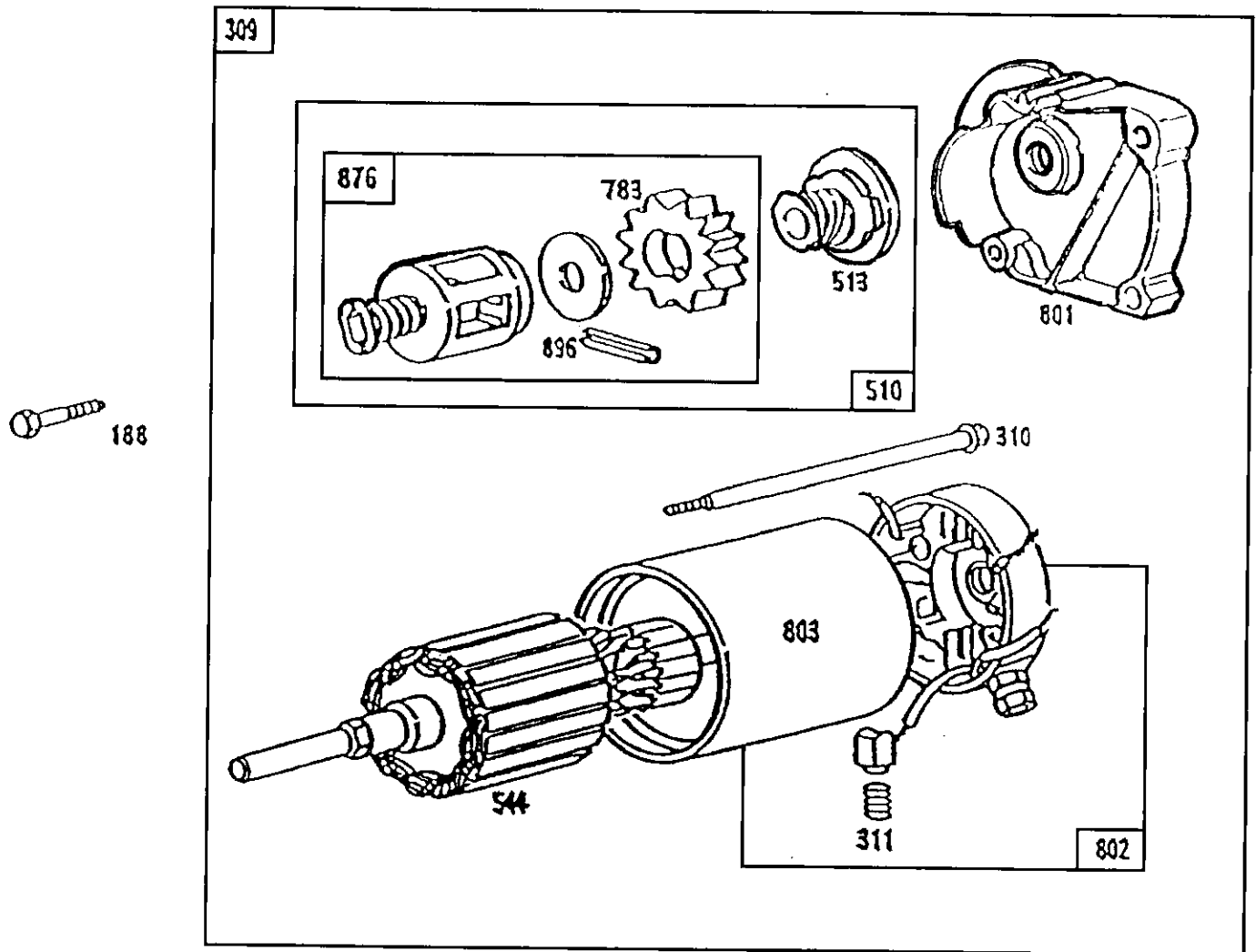
ENGINE BRIGGS & STRATTON - MODEL NUMBER 422707, TYPE NUMBER 1254-01



REPAIR PARTS

18 HP 44" TRACTOR - - MODEL NUMBER 917.255890

ENGINE BRIGGS & STRATTON - MODEL NUMBER 422707, TYPE NUMBER 1254-01



Reference Number		309	310	311	544	801	802	803
Manufacturer		Motor and Drive Ass'y.	Thru Bolt Assembly	Brush Assembly	Armature Assembly	Drive End Cap Assembly	End Cap Ass'y. Commutator	Housing Assembly
Briggs & Stratton	Housing Length							
12V	3-5/8"	394808	94003	395538	390837	394860	395537*	398159

*Includes Brush Set

Reference Number	510	513	783	876	896
Starter Motor Mfr.	Starter Drive Group	Clutch Assembly	Gear	Pinion Spring Kit	Roll Pin
Briggs & Stratton					
12V	490421	398003	280104	490467	94288(Copper)

REPAIR PARTS

18 HP 44" TRACTOR - - MODEL NUMBER 917.255890

ENGINE BRIGGS & STRATTON - MODEL NUMBER 422707, TYPE NUMBER 1254-01

KEY PART NO.	NO.	DESCRIPTION	KEY PART NO.	NO.	DESCRIPTION
1	494533	Cylinder Assembly	45	261368	Tappet, Valve
2	399265	Bearing, Cylinder	46	213421	Gear, Cam
3	391086	Seal, Oil	50	213290	Manifold, Intake
5-1	493457	Head, Cylinder Number 1	51	271412	*** Gasket, Carburetor & Intake Elbow
5-2	493458	Head, Cylinder Number 2	51A	280319	Spacer, Carburetor
7-1	271867	* Gasket, Cylinder Head Number 1	52	270884	* Gasket, Intake Manifold Mounting
7-2	271868	* Gasket, Cylinder Head Number 2	53	93970	Screw, Sems, Carburetor Mounting
8-1	398065	Breather Assembly Number 1	54	93208	Screw, Sems, Intake Manifold Mnt.
8-2	222892	Cover, Breather, Cylinder Number 2 (Use with Key Number 572, Air Baffle with Mounting Holes)	75	222511	Washer, Spring
9	27803	* Gasket, Valve Cover	78	94326	Screw, Sems
10	94382	Screw, Sems	81	223016	Lock, Muffler Screw
11	280225	Tube, Breather	90	495181	Carburetor Assembly
12	271703	* Gasket, Crankcase Cover 1/64"	91	495035	Body Assembly, Upper Carburetor
	271188	* Gasket, Crankcase Cover .005"	93	231209	Bushing, Throttle Shaft
	271189	* Gasket, Crankcase Cover .009"	94	491538	** Valve Assembly, Carburetor Idle
13	94565	Screw, Cylinder Head	95	93499	Screw, Sems, Throttle and Choke Valve Mounting
15	94239	Plug, Oil Drain	96	221939	Valve, Throttle
15A	94497	Plug, Pipe	97	392672	Shaft and Lever, Throttle
16	394028	Crankshaft	98	91920	Screw, Machine, Fillister Head
	94196	Key, Timing Gear	99	26157	Spring, Throttle Adjustment
18	493304	Base Assembly, Crankcase	102	271607	** Gasket, Carburetor Body
20	291675	Seal, Oil	103	298514	Float, Carburetor
21	399195	Seal Assembly, Cylinder Plug	104	230896	** Pin, Float Hinge
22	90887	Screw, Sems, Crankcase Cover Mounting Uses: 92268 Washer, Lock	105	394683	** Valve, Fuel Inlet
23	491180	Flywheel and Ring Gear Assembly, Magneto	107	491543	Body, Lower Carburetor
24	222698	Key, Flywheel	108	223534	Valve, Choke
25	394955	Piston Assembly, Standard	109	392673	Shaft and Lever, Choke
	394956	Piston Assembly .010" Oversize	116	280474	O-Ring
	394957	Piston Assembly .020" Oversize	117	231338	Jet, Needle Valve
	394958	Piston Assembly .030" Oversize	119	94152	Screw, Sems, Hex Head
26	394959	Ring Set, Piston, Standard	120	92290	Washer, Lock
	394960	Ring Set, Piston .010" Oversize	121	491539	Carburetor Overhaul Kit
	394961	Ring Set, Piston .020" Oversize	127	223472	Plug, Welch
	394962	Ring Set, Piston .030" Oversize	161	398826	Body, Air Cleaner
27	260924	Lock, Piston Pin	165	94289	Nut, Wing
28	299691	Pin Assembly, Piston, Standard	187	299146	Line, Fuel, 28" (Cut to Suit)
	391286	Pin Assy., Piston .005" Oversize	188	93535	Screw, Hex Head
29	394306	Rod Assembly, Connecting	201	262683	Link, Governor
	397158	Rod Assembly, Connecting, .020" Undersize Crankpin Bore	202	262684	Link, Throttle
32	94671	Screw, Connecting Rod	203	280997	Crank, Bell
33	390420	Valve, Exhaust	203A	490207	Crank, Bell
34	261528	Valve, Intake Uses: 393606 Seal Assembly and Retainer (Key Number 868)	205	93971	Screw, Shoulder
35	65906	Spring, Intake Valve	206	94298	Nut, Square
36	26828	Spring, Exhaust Valve	207	262337	Spring, Compression
40	221596	Retainer, Intake Valve	209	262351	Spring, Governor
41	292260	Rotocoil, Exhaust Valve	209A	261563	Spring, Governor Idle
42	93630	Retainer, Exhaust Valve Rotocoil(2)			

* Included in Gasket Set (491856)
 ** Included in Carburetor Overhaul Kit (491539)
 *** Included in both Gasket Set (491856), and
 Carburetor Overhaul Kit (491539)

NOTE: All component dimensions given in U.S. inches
 1 inch = 25.4 mm

REPAIR PARTS

18 HP 44" TRACTOR - - MODEL NUMBER 917.255890

ENGINE BRIGGS & STRATTON - MODEL NUMBER 422707, TYPE NUMBER 1254-01

KEY PART NO. NO.	DESCRIPTION	KEY PART NO. NO.	DESCRIPTION
216 262375	Link	524A 271485	Seal, Tube
219 393415	Oil Slinger Assembly	525 495348	Tube, Oil Filler
219A 394348	Gear, Governor	528 393815	Impulse Line and Clamp Assembly
220 222773	Washer, Thrust	535 271271	Element, Air Cleaner
222 491282	Plate Assembly, Governor Control	537 271411	*** Gasket, Air Cleaner
224 94297	Screw, Pan Head	552 262332	Lower Bushing, Governor
227 491297	Lever Assembly, Governor	552A 262331	Upper Bushing, Governor
229 62199	Washer	556 93585	Screw, Sems, Hex Head
230 223882	Washer, Governor Crank, Inside	562 93853	Bolt, Governor Lever
232 262539	Spring, Governor Control	567 93777	Screw, Hex Head, Back Plate to Cylinder
235 224039	Shield, Spitback	569 270981	* Gasket, Crankcase
240 493629	Filter, Fuel (In Fuel Line to Tank)	572 224580	Baffle, Air, Cylinder Number 2
244 230318	Connector, Impulse Pump	573 491304	Back Plate Assembly
257 93897	Screw, Sems	592 92278	Nut, Hex
258 93949	Screw, Sems	601 93053	Clamp, Fuel Line
259 223890	Bracket, Cable	615 94296	Retainer, E-Ring
265 221535	Clamp, Casing	616 491530	Crank, Governor
267 93496	Screw, Hex Head	634 271013	** Washer, Throtte Shaft
284 94264	Screw, Hex Head	634A 491287	Seal, Governor Shaft
284A 93469	Screw, Hex Head	635 66538	Elbow, Spark Plug
304 492656	Housing, Blower	642 223579	Cover, Air Cleaner
305 94608	Screw, Sems 1/2	643 223714	Cartridge Plate, Air Cleaner
94513	Screw, Sems 3/4	726 391362	Gear, Flywheel Ring (Includes Mounting Parts)
306-1 222846	Shield, Cylinder	741 262694	Gear, Timing
306-2 223734	Shield, Cylinder	819 94675	Screw, Hex Head
307 94386	Screw, Sems	842 271170	Seal, Oil Filler Cap
308-1 222848	Cover, Air Guide	847 394394	Dipstick and Tube Assembly
308-2 222849	Cover, Air Guide	851 221798	Terminal, Ignition Cable
309 ---	Motor, Starting (See Chart on Illustrated Pages for Part Numbers)	858 270989	**** Diaphragm, Damping
319 394988	Armature Assembly	859 271025	**** Gasket, Carburetor Pump
332 230674	Nut, Hex	860 261358	**** Spring (2)
333 394891	Armature Group, MAGNETRON® Ignition	861 393397	Repair Kit, Pump
334 93381	Screw, Sems, Armature Mounting	868 393606	Seal Assembly and Retainer
337 802592	Plug, Spark, Resistor (with Gasket)	869 261463	Seat, Intake Valve, Standard
356 494705	Wire, Ground	870 213316	Seat, Exhaust Valve, Standard
358 491856	Gasket Set	871 261961	Guide, Exhaust Valve
363 19203	Puller, Flywheel (Optional Accy.)	231218	Guide, Intake Valve (See Manual)
383 89838	Wrench, Spark Plug	877 393456	Connector Assembly
387 280197	Body, Pump	881 212455	Cover Plate, Crankcase
392 261395	**** Spring, Pump	955 397882	Plug and Seal, Solenoid
394 270988	**** Diaphragm	1005 280815	Fan, Flywheel
414 223882	Washer	1006 224413	Retainer, Fan
422 222875	Clamp, Oil Filler	1019 491262	Decal Kit
432 221377	**** Cap, Spring		
434 223688	Cover, Diaphragm		
435 93829	Screw, Diaphragm Cover		
445 394019	Cartridge, Air Cleaner		
467 493903	Knob, Air Cleaner		
468 224521	Screen, Flush Rotating		
474 393474	Stator, Alternator, Dual Circuit		
482 93621	Screw, Sems		
523 494927	Cap and Dipstick, Oil Filler		
524 271157	Seal, Filler Tube		

NOTE: All component dimensions given in U.S. inches
1 inch = 25.4 mm

SERVICE NOTES
