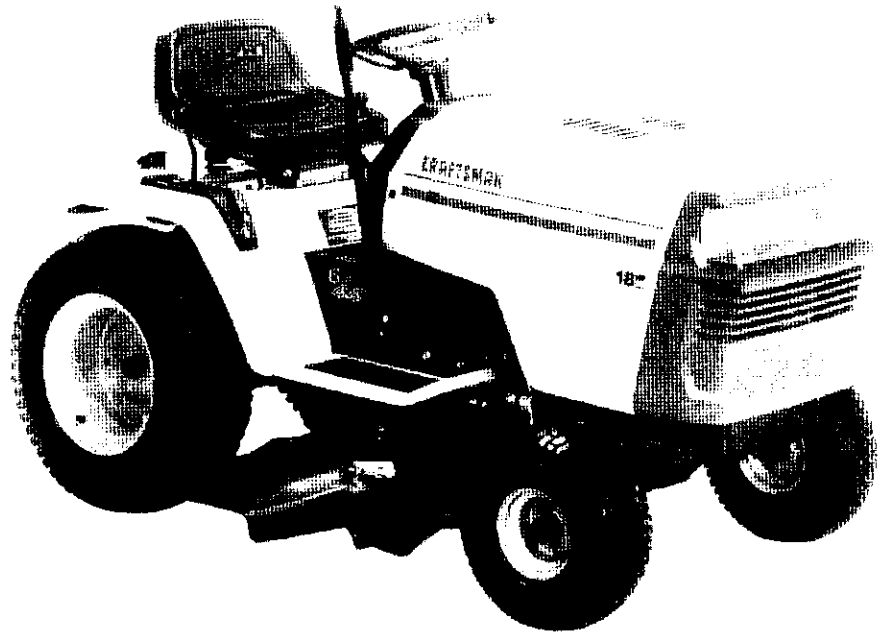


SEARS

CRAFTSMAN[®]

MODEL NUMBER 917.255891 OWNER'S MANUAL

- **Assembly**
- **Operation**
- **Customer Responsibilities**
- **Service**
- **Adjustments**
- **Repair Parts**



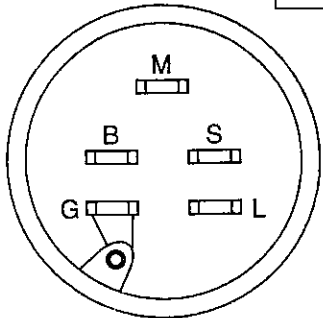
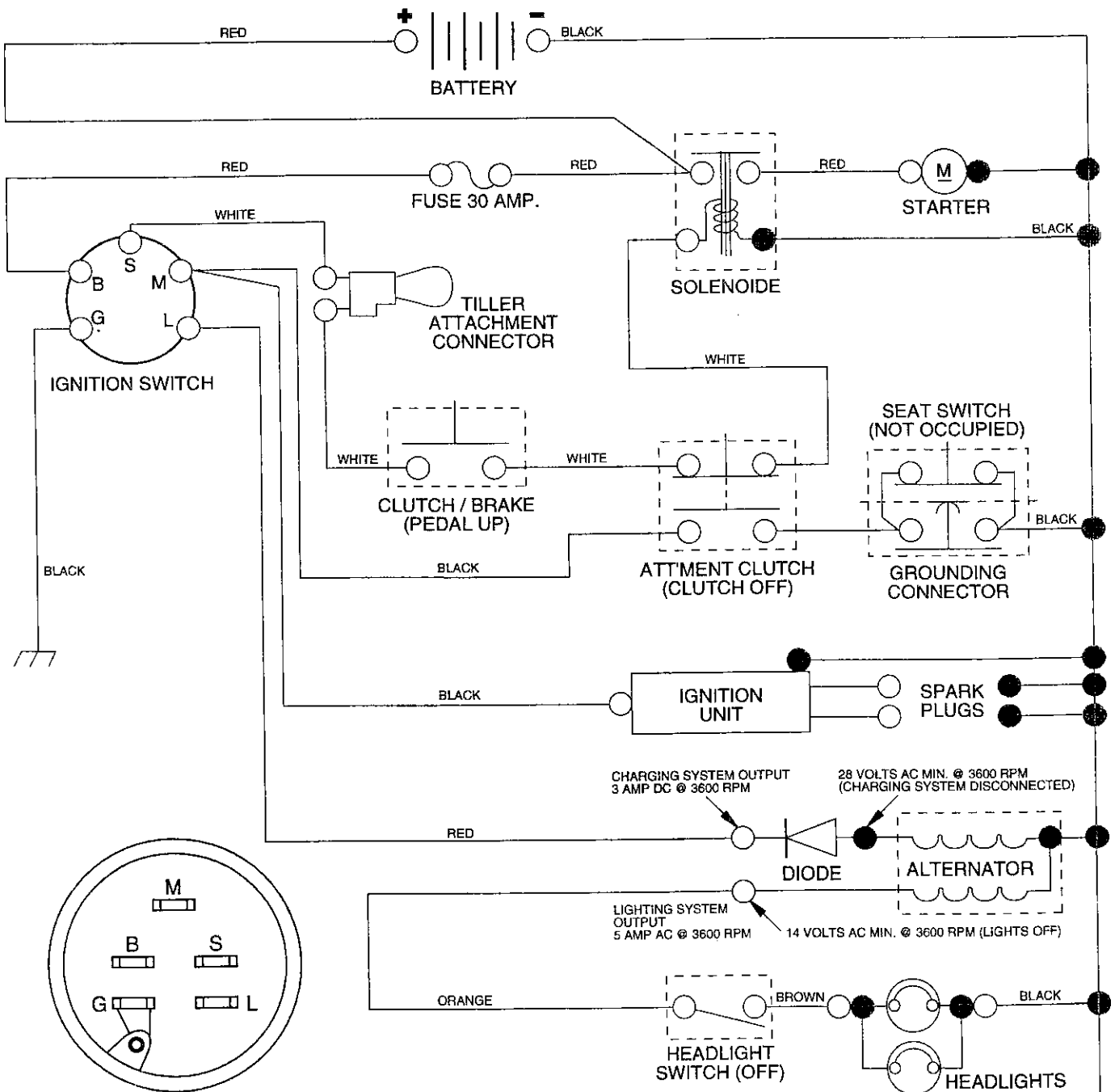
Caution:

**Read and Follow
all Safety Rules
and Instructions
Before Operating
This Equipment**

Sears, Roebuck and Co., Hoffman Estates, IL 60179 U.S.A.

18 HP 44 " TRACTOR - - MODEL NUMBER 917.255891

SCHEMATIC



IGNITION SWITCH

POSITION	CIRCUIT
OFF	M + G
ON	B + L
START	B + S

- NON-REMOVABLE CONNECTIONS
- REMOVABLE CONNECTIONS

WIRING INSULATED CLIPS

NOTE: IF WIRING INSULATED CLIPS WERE REMOVED FOR SERVICING OF UNIT, THEY SHOULD BE REPLACED TO PROPERLY SECURE YOUR WIRING

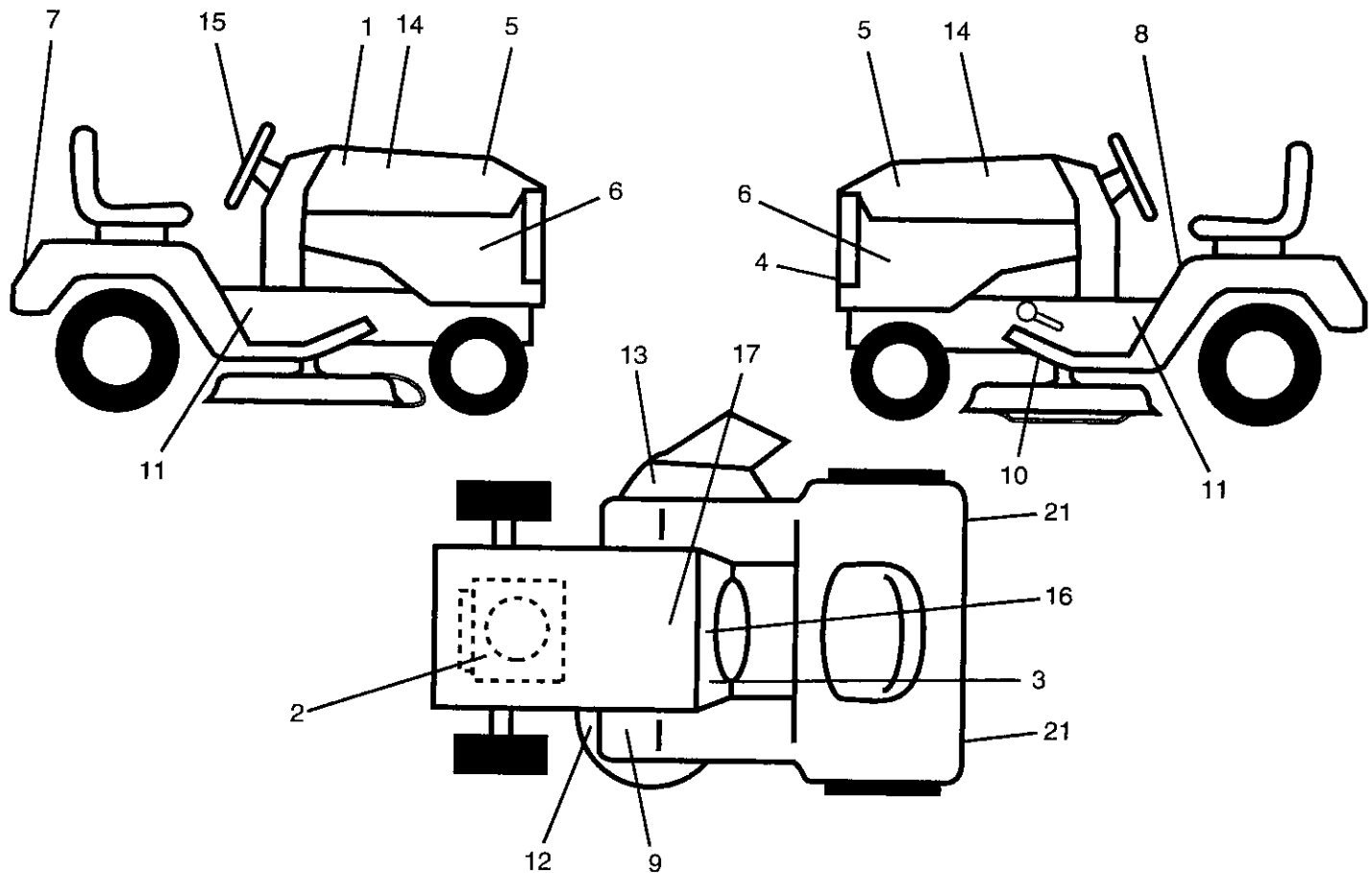
NOTE

YOUR TRACTOR IS EQUIPPED WITH A SPECIAL ALTERNATOR SYSTEM. THE LIGHTS ARE NOT CONNECTED TO THE BATTERY, BUT HAVE THEIR OWN ELECTRICAL SOURCE. BECAUSE OF THIS, THE BRIGHTNESS OF THE LIGHTS WILL CHANGE WITH ENGINE SPEED. AT IDLE THE LIGHTS WILL DIM. AS THE ENGINE IS SPEEDED UP, THE LIGHTS WILL BECOME THEIR BRIGHTEST.

REPAIR PARTS

18 HP 44" TRACTOR -- MODEL NUMBER 917.255891

DECALS

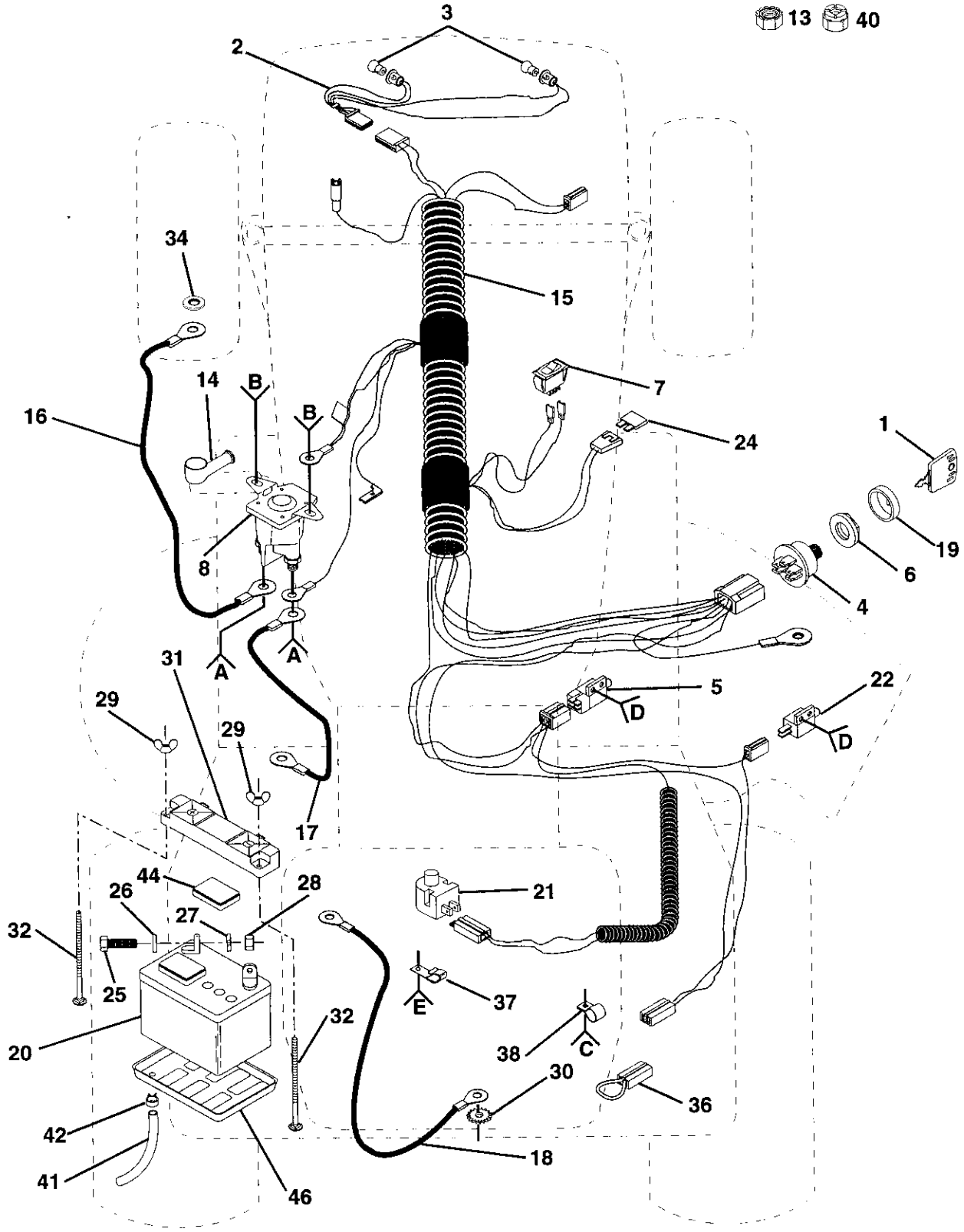
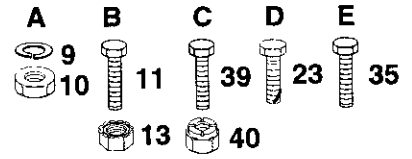


KEY NO.	PART NO.	DESCRIPTION
1	133644	Decal, Customer Maintenance
2	135919	Decal, Cable Battery
3	138834	Decal, Dash
4	138264	Decal, Grill
5	138261	Decal, Side Panel, L.H.
6	108631X	Decal, II
7	125880X	Decal, Fender
8	137537	Decal, Caution
9	4900J	Decal, Clutch/Brake
10	109199X	Decal, V-Belt Drive
11	105567X	Decal, Chassis, Speed/Deck Size
12	136834	Decal, Mower Drive Belt
14	138049	Decal, Side Panel, Diehard
15	132267	Decal, Steering Wheel Insert
16	138955	Decal, Operating Instructions, Dash
17	138047	Decal, Battery, Diehard
21	106202X	Taillight Reflector
--	138311	Decal, Handle Lift (Lift Lever)
--	139852	Owner's Manual, English
--	139853	Owner's Manual, Spanish
--	101539X	Sheet, Slope

REPAIR PARTS

18 HP 44" TRACTOR -- MODEL NUMBER 917.255891

ELECTRICAL



REPAIR PARTS

18 HP 44" TRACTOR - - MODEL NUMBER 917.255891

ELECTRICAL

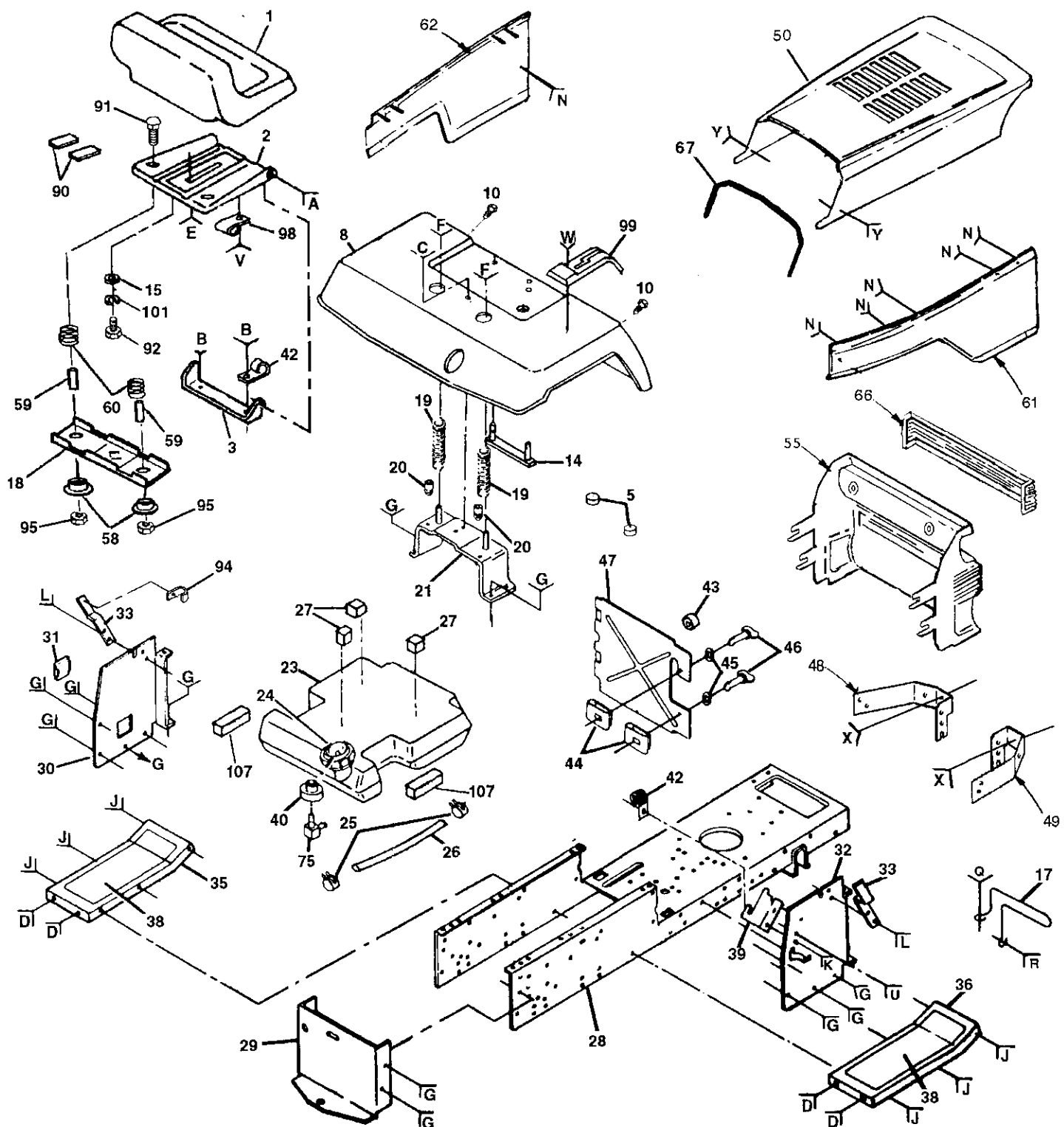
KEY NO.	PART NO.	DESCRIPTION
1	109310X	Key, Ignition
2	136850	Harness, Light Socket (Includes Key Number 3)
3	4152J	Bulb, Light
4	4406R	Switch, Ignition
5	109553X	Switch, Interlock, Attachment Clutch
6	124211X	Nut, Ignition
7	110712X	Switch, Light
8	138406	Solenoid
9	10090400	Washer, Lock 1/4
10	73350400	Nut, Hex, Jam 1/4-20
11	71110408	Bolt, Hex Head, Fin. 1/4-20 UNC x 1/2
12	11050400	Washer, Lock, External Tooth 1/4
13	73640400	Nut, Hex, Keps 1/4-20
14	131563	Cover, Terminal
15	138318	Harness, Ignition
16	4799J	Cable, Battery
17	4206J	Cable, Battery
18	4207J	Cable, Ground
19	123620X	Cover, Key Switch
20	121537X	Battery
21	121305X	Switch, Seat
22	104445X	Switch, Interlock, Clutch
23	17021008	Screw, Hex Head, Self-Tapping #10-24 x 1/2
24	108824X	Fuse
25	74760412	Bolt, Hex Head 1/4-20 x 3/4
26	STD551025	Washer 9/32 x 5/8 x 16 Gauge
27	STD551125	Washer, Lock 1/4
28	STD541025	Nut, Hex 1/4-20
29	123198X	Nut, Wing 1/4-20
30	11050600	Washer, Lock, External Tooth 3/4
31	102476X	Guard, Terminal
32	72240460	Bolt, Carriage 1/4-20 x 7-1/2
34	11150400	Washer Lock Int Tooth 1/4
35	74760612	Bolt, Hex Head, Fin. 3/8-16 UNC x 3/4
36	102501X	Wire Loop
37	2751R	Clip, Fuel Line
38	235R	Clip, Insulation
39	74780408	Bolt, Hex Head 1/4-20 x 1/2
40	73680400	Nut, Crownlock 1/4-20
41	7697J	Battery Drain Tube
42	109596X	Clamp Hose
44	121264X	Cap, Battery
46	7603J	Tray, Battery
--	7192J	Wire Tie

NOTE: All component dimensions given in U. S. inches
1 inch = 25.4 mm

REPAIR PARTS

18 HP 44" TRACTOR -- MODEL NUMBER 917.255891

CHASSIS AND ENCLOSURES



A	B	C	D	E	F	G	J	K	L	N	Q	R	U	V	W	X
4	7	11	13	93	9	11	37	13	13	54	83	100	100	96	103	77
6		12	7		85	79	7	79	7		84	7	7	97	102	64
		7									84				86	

REPAIR PARTS

18 HP 44" TRACTOR - - MODEL NUMBER 917.255891

CHASSIS AND ENCLOSURES

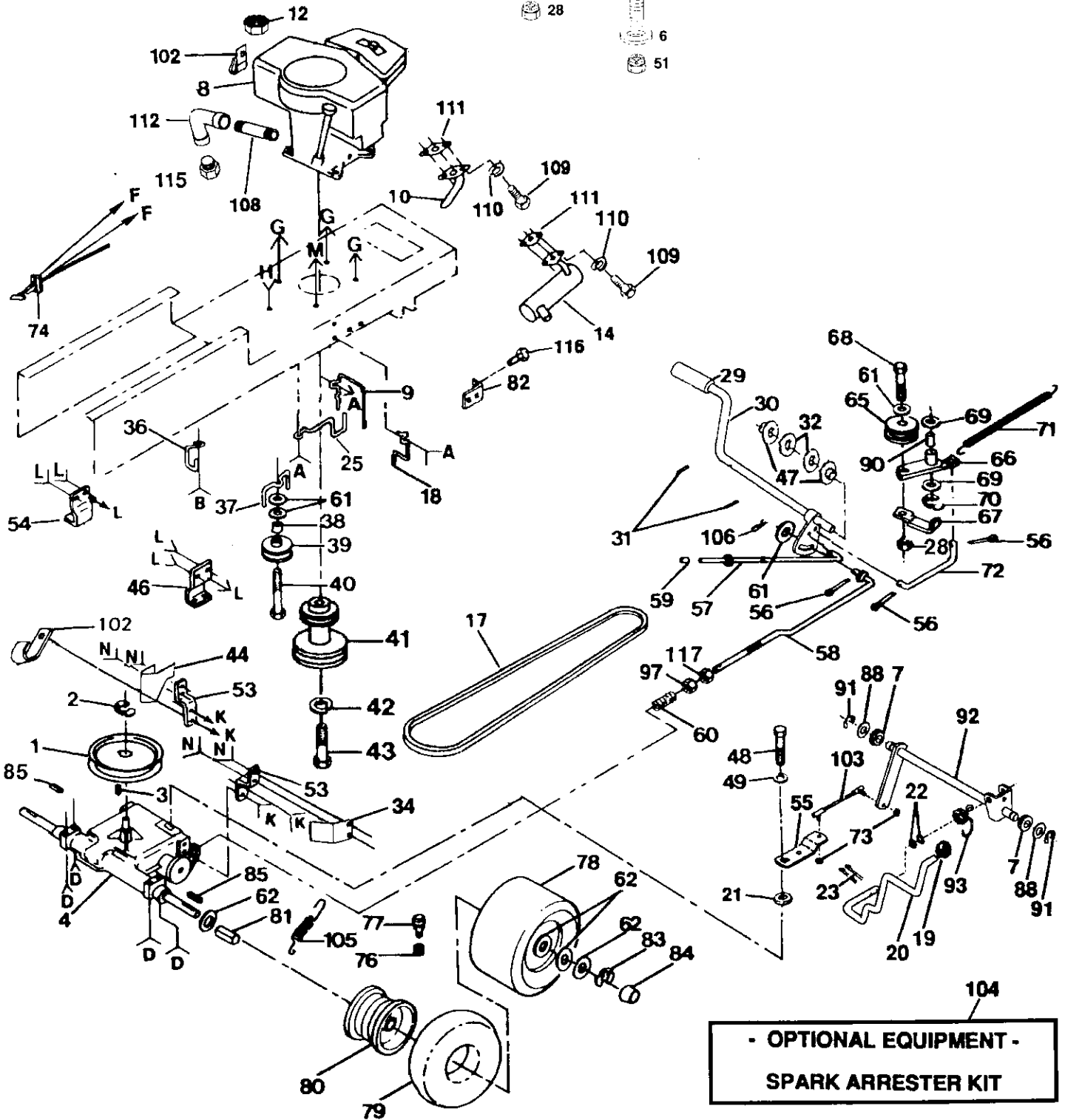
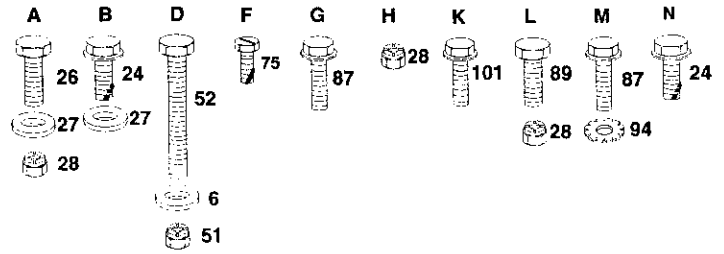
KEY NO.	PART NO.	DESCRIPTION	KEY NO.	PART NO.	DESCRIPTION
1	127437	Seat	46	123650X	Stud, 1/4 Turn
2	131451	Pan, Seat	47	138010	Shield, Heat
3	126656X	Bracket, Pivot, Seat	48	136814	Hinge Bracket, Front, L.H.
4	105529X	Bolt, Shoulder 5/16-18	49	136813	Hinge Bracket, Front, R.H.
5	124238X	Cap, Spring	50	136673X417	Hood
6	STD541431	Nut, Crownlock 5/16-18	54	108067X	Nut, Pal
7	STD541437	Nut, Crownlock 3/8-16	55	137694	Grill
8	123784X417	Fender	58	121248X	Bushing, Snap
9	17490508	Screw	59	134300	Spacer, Split
10	17490608	Screw, Hex Washer Head, Thd., Roll. 3/8-16 x 1/2	60	121250X	Spring, Compression
11	17490612	Screw, Hex Washer Head, Thd., Roll. 3/8-16 x 3/4	61	136670X417	Panel, Side, R.H.
12	19131312	Washer 13/32 x 13/16 x 12 Gauge	62	136671X417	Panel, Side, L.H.
13	STD523707	Bolt, Hex Head 3/8-16 x 3/4	64	10040400	Washer, Lock
14	105511X	Strap, Fender	66	136374	Lens, Clear, Bar
15	19171912	Washer 17/32 x 1-3/16 x 12 Gauge	67	137304	Rod, Support, Hood
17	108885X	Guard, Muffler	75	139277	Stem, Fuel Tank
18	121246X	Bracket, Seat Switch	77	74760408	Bolt, Hex Head, Fin. 1/4-20 UNC x 1/2
19	124181X	Compression, Spring	79	11050600	Washer, Lock, External Tooth 3/8
20	105531X	Nut, Push	83	17490616	Bolt, Hex Washer Head, Thd., Roll. 3/8-16 x 1
21	137113	Bracket, Fender	84	19131616	Washer 13/32 x 1 x 16 Gauge
23	127334X	Tank, Fuel	85	19131614	Washer 13/32 x 1 x 14 Gauge
24	123549X	Cap, Fuel	86	19060718	Washer 3/16 x 7/16 x 18 Gauge
25	123487X	Clamp, Hose	90	121251X	Strip, Foam
26	5277J	Line, Fuel	91	72050411	Bolt, Carriage 1/4-20 x 1-3/8
27	106082X	Pad, Spacer	92	74780814	Bolt, Hex Head, Fin. 1/2-13 x 7/8 Grade 5
28	127166X	Chassis Assembly	93	127018X	Bolt, Shoulder 5/16-18 x .62
29	123785X	Drawbar	94	5320R	Clip, Insulated
30	138644	Panel, Dash, L.H.	95	123976X	Nut, Hex, Large, Flange
31	121794X	Cover, Access	96	STD511005	Screw, Slotted Pan Head #10-24 x 1/4
32	138643	Panel, Dash, R. H.	97	73951000	Nut, Hex, Keps #10-24
33	139915	Bracket, Support, Dash	98	4171R	Clip, Insulated
35	105465X417	Footrest, L.H.	99	123825X	Console, Shifter
36	105464X417	Footrest, R.H.	100	STD533710	Bolt, Carriage 3/8-16 UNC x 1
37	STD533707	Bolt, Carriage 3/8-16 x 3/4	101	STD551150	Washer, Lock 1/4
38	105466X	Pad, Footrest	102	10100800	Washer, Lock
39	110923X	Bracket, Clutch, Mower	103	74640806	Screw #8 x 3/8
40	3645J	Bushing	107	109227X	Pad, Spacer
42	2751R	Clip, Insulated			
43	110436X	Grommet, Split			
44	105839X	Receptacle, 1/4 Turn			
45	105838X	Retainer, 1/4 Turn			

NOTE: All component dimensions given in U.S. inches.
1 inch = 25.4 mm

REPAIR PARTS

18 HP 44" TRACTOR -- MODEL NUMBER 917.255891

DRIVE



REPAIR PARTS

18 HP 44" TRACTOR - - MODEL NUMBER 917.255891

DRIVE

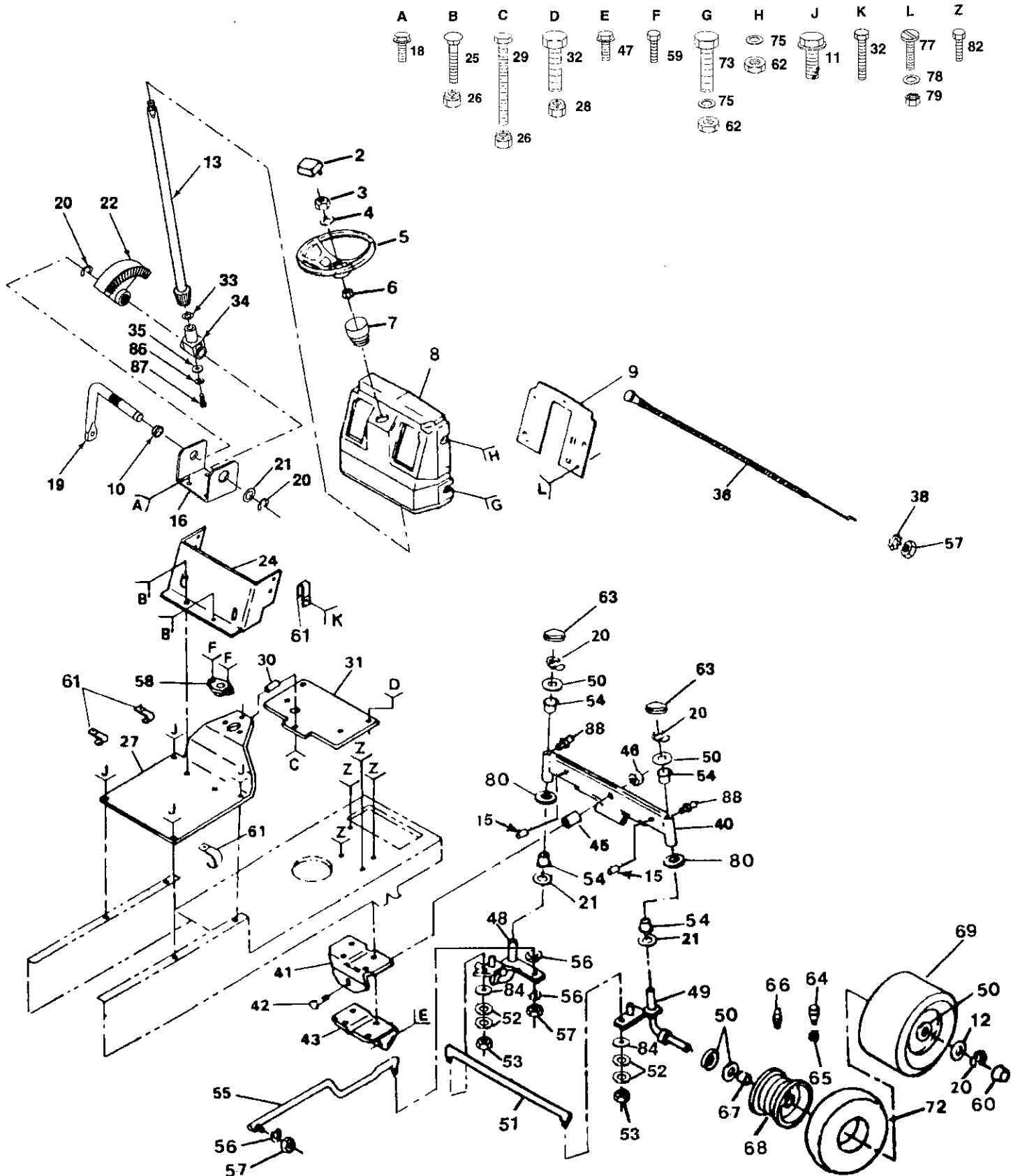
KEY NO.	PART NO.	DESCRIPTION	KEY NO.	PART NO.	DESCRIPTION
1	121327X	Pulley, Transaxle	61	STD551037	Washer 13/32 x 13/16 x 16 Gauge
2	12000004	Ring, Retainer	62	123800X	Washer 1-1/32 x 1-5/8 x 16
3	2228M	Key, Woodruff #9	65	127783	Pulley, Idler, V-Groove
4	138788	Transaxle, Peerless, 6 Speed, Model Number 143.820-016B	66	123789X	Arm, Idler
6	19111214	Washer 11/32 x 3/4 x 14 Gauge	67	123205X	Retainer, Belt
7	71208	Bushing, Steering Rod	68	STD523715	Bolt, Hex Head 3/8-16 X 1-1/2
8	137620	Engine, Briggs & Stratton, 18 HP, Model #422707, Type #1254-01	69	110812X	Washer, Hardened
9	121440X	Guide, Belt, Lower, Engine	70	12000039	Ring, Clip
10	100229L	Tube Assembly, Exhaust	71	105709X	Spring, Return, Clutch
12	STD541437	Nut, Hex, Keps 3/8-16	72	105710X	Link, Clutch
14	108373X	Muffler	73	73530400	Nut 1/4-28
17	123796X	V-Belt, Drive	74	132755	Control, Throttle
18	121441X	Guide, Belt, Lower, Engine	75	17720410	Screw, Hex Head, Thread Cutting 1/4-20 x 5/8
19	106933X	Knob	76	59192	Cap, Valve
20	123781X	Rod, Shifter	77	65139	Stem, Valve
21	105701X	Washer, Shift Plate	78	124106X	Tire, Rear
22	19171216	Washer 17/32 x 3/4 x 16 Gauge	79	7152J	Tube (Optional, Service Item Only)
23	STD561210	Pin, Cotter 1/8 x 1	80	124074X361	Rim
24	17490612	Screw, Hex Washer Head, Thd., Roll. 3/8-16 x 3/4	81	108097X	Spacer, Split
25	129921	Keeper, Belt, Engine, L.H.	82	108236X	Bracket, Switch
26	STD523710	Bolt, Hex 3/8-16 x 1	83	12000053	E-Ring
27	19131312	Washer 13/32 x 13/16 x 12 Gauge	84	104757X	Cover, Axle, Rear
28	73680600	Nut, Crownlock 3/8-16	85	9396E	Key, Square 1/4 x 2
29	8883R	Cover, Foot Pedal	87	17490624	Bolt, Hex Washer Head, Thd., Roll. 3/8-16 x 1-1/2
30	122424X	Shaft, Foot Pedal	88	19212016	Washer 21/32 x 1-1/4 x 16 Gauge
31	1572H	Pin, Roll 3/16 x 1	89	STD523707	Bolt, Hex Head 3/8-16 x 3/4
32	STD551062	Washer 21/32 x 1 x 16 Gauge	90	105706X	Bearing
34	123792X	Keeper, Belt, Transaxle, R.H.	91	12000008	Ring, Klip
36	136715	Keeper, Chassis, Center Span	92	123772X	Shaft Assembly, Shifter
37	109070X	Keeper, Belt	93	123782X	Spring, Torsion
38	4470J	Spacer	94	STD551237	Washer, Lock, Ext. Tooth 3/8
39	123674X	Idler, Flat	97	STD541437	Locknut 3/8-16
40	STD523727	Bolt, Hex Head 3/8-16 x 2-3/4	101	17490512	Screw, Hex Washer Head, Thd., Roll. 5/16-18 x 3/4
41	134826	Pulley, Engine	102	2751R	Clip, Fuel Line
42	10040700	Washer, Lock	103	123793X	Rod, Tie
43	71170764	Bolt, Hex Head 7/16-20 x 4 Gr. 5	104	132922	Spark Arrester Kit
44	123791X	Keeper, Belt, Transaxle, L.H.	105	110422X	Spring, Brake Return
46	123776X	Bracket, Transaxle, RH.	106	4497H	Clip, Hair Pin
47	120183X	Bearing, Nylon	108	13280336	Nipple, Pipe
48	71040412	Bolt, Hex Head 1/4-28 x 3/4	109	STD522507	Bolt, Hex Head 1/4-20 x 3/4
49	STD551025	Washer 9/32 x 3/4 x 16 Gauge	110	STD551125	Washer, Lock 1/4
51	STD541431	Nut, Crownlock 5/16-18	111	8545J	Gasket
52	74780544	Bolt, Hex Head 5/16-18 x 2-3/4	112	13200300	Elbow, Pipe, Standard 90°
53	123787X	Strap, Torque	115	---	Plug, Oil Drain (Order from Engine Manufacturer)
54	123780X	Bracket, Transaxle, L.H.	116	STD601005	Screw, Hex Head, Self-Tapping #10-24 x 1/2
55	123794X	Shift Arm	117	73350600	Nut, Hex, Jam 3/8-16 UNC
56	STD561210	Pin, Cotter 1/8 x 3/4			
57	133261	Rod, Parking Brake			
58	123786X	Rod, Brake			
59	124236X	Cap, Plunger			
60	126909X	Spring, Brake Rod			

NOTE: All component dimensions given in U.S. inches
1 inch = 25.4 mm

REPAIR PARTS

18 HP 44" TRACTOR -- MODEL NUMBER 917.255891

STEERING AND FRONT AXLE



REPAIR PARTS

18 HP 44" TRACTOR - - MODEL NUMBER 917.255891

STEERING AND FRONT AXLE

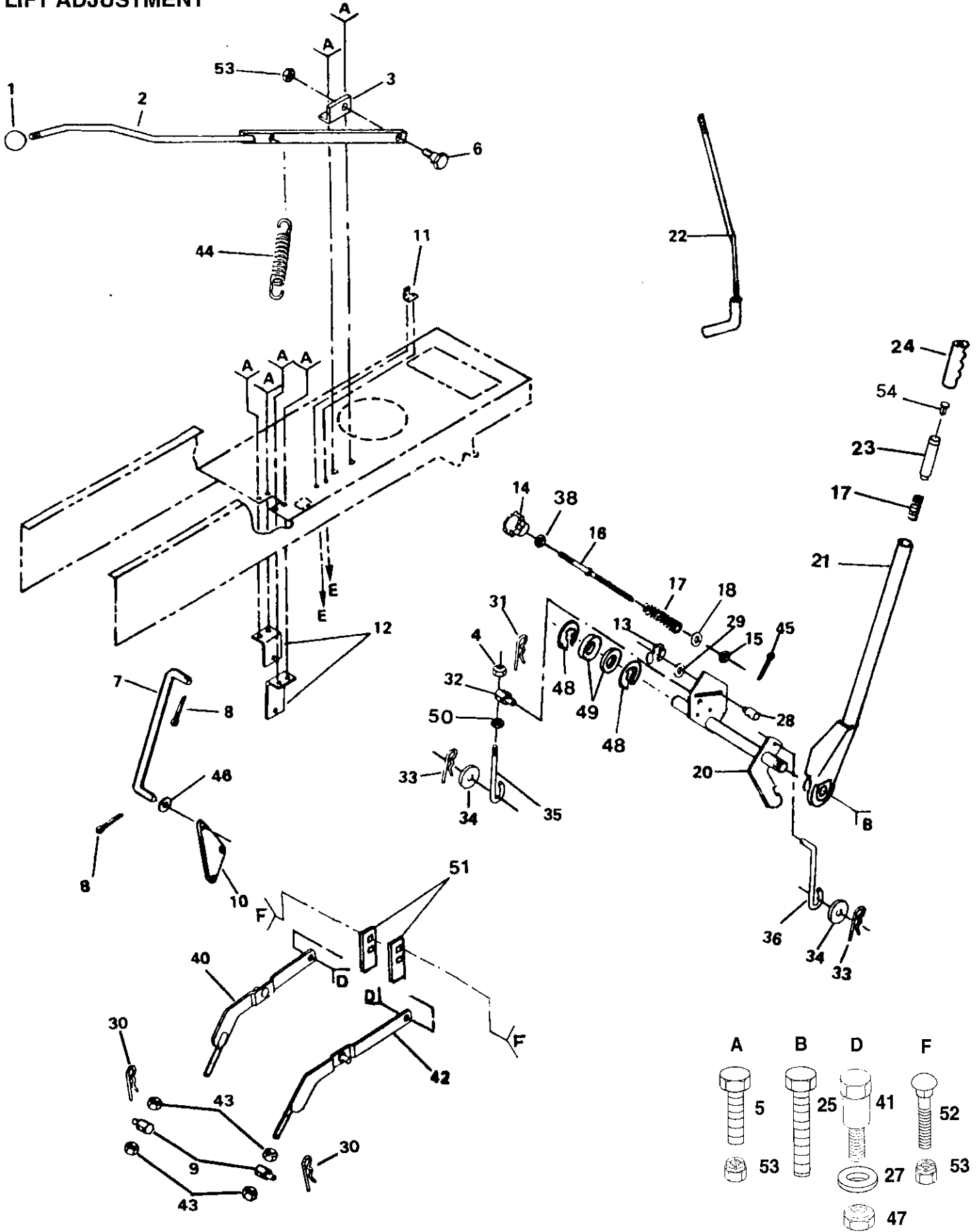
KEY NO.	PART NO.	DESCRIPTION	KEY NO.	PART NO.	DESCRIPTION
2	133742	Insert, Steering Wheel	46	73901000	Locknut, Hex W/washer 5/8-11
3	73940800	Nut, Toplock 1/2-20 UNF	47	17490508	Screw, Hex Washer Thd. Rolling 5/16-18 x 1/2
4	100712K	Washer	48	135227	Spindle, L.H.
5	133741	Steering Wheel	49	135228	Spindle, R.H.
6	100711L	Adapter, Steering Wheel	50	121749X	Washer 25/32 x 1-1/4 x 16 Gauge
7	106015X	Sleeve, Steering	51	139929	Rod, Tie
8	136696	Dash	52	STD551131	Washer, Lock 5/16
9	129621X020	Plate, Dash	53	STD541131	Nut, Hex 5/16-24
10	109816X	Nyliner, Snap-In	54	3366R	Bearing
11	17490608	Screw, Hex Washer Head, Thd., Roll. 3/8-16-1/2	55	130468	Link, Drag
12	121748X	Washer 25/32 x 1-5/8 x 16 Gauge	56	STD551137	Washer, Lock 3/8
13	128755	Shaft, Steering	57	STD541137	Nut, Hex 3/8-24
15	132624	Pin, Axle 5/8 x 1.55/1.54	58	1554J	Bushing, Steering
16	124036X	Bracket, Steering	59	17431008	Screw, Hex Head #10-16 x 1/2
18	17490612	Screw, Hex Washer Head, Thd., Roll. 3/8-16 x 3/4	60	104757X	Cap, Hub, Front
19	127501	Shaft, Pitman	61	2751R	Clip, Fuel Line
20	12000029	Ring, Klip	62	STD541437	Nut Lock Hex w/Wsh 3/8-16
21	6266H	Bearing, Thrust	63	121232X	Spindle, Cap
22	136874	Gear, Sector	64	59192	Cap, Valve
24	105518X	Dash, Lower	65	65139	Stem, Valve
25	74180512	Screw, Truss Head 5/16-18 x 3/4	66	278H	Fitting, Grease
26	STD541431	Nut, Crownlock 5/16-18	67	9040H	Bearing
27	123783X016	Saddle	68	106732X361	Rim, Front
28	STD541437	Nut, Crownlock 3/8-16	69	106222X	Tire, Front
29	STD523120	Bolt, Hex Head 5/16-18 x 2	72	59904	Tube (Optional, Service Item Only)
30	121236X	Spacer	73	STD523710	Bolt, Hex 3/8-16 x 1
31	140181	Support Plate, Battery	75	19131614	Washer 13/32 x 1 x 14 Gauge
32	STD523707	Bolt, Hex Head 3/8-16 x 3/4	77	STD512507	Screw, Pan Head 1/4-20 x 3/4
33	57079	Washer	78	19091216	Washer 13/32 x 3/4 x 16 Gauge
34	124035X	Shaft, Support	79	73510400	Nut, Hex, Keps 1/4 NC
35	126684X	Washer 5/8 x 1/4 x 16 Gauge	80	19272016	Washer 27/32 x 1-1/4 x 16 Gauge
36	132779	Control, Choke	82	122819X	Screw, Special 3/8-16 x 3/4
38	STD551237	Washer, Lock, Int./Ext. Tooth 3/8	84	19111216	Washer 11/32 x 3/4 x 16 Gauge
40	108075X	Axle, Front	86	STD551125	Washer, Lock 1/4
41	105663X	Support, Saddle, Rear	87	71070410	Screw, Hex Socket Head 1/4 x 20 x 5/8
42	74761060	Bolt, Hex Head 5/8-11 x 3-3/4	88	6855M	Fitting, Grease
43	105664X	Support, Saddle, Front			
45	110438X	Spacer Bearing, Front Axle			

NOTE: All component dimensions given in U.S. inches
1 inch = 25.4 mm

REPAIR PARTS

18 HP 44" TRACTOR -- MODEL NUMBER 917.255891

LIFT ADJUSTMENT



REPAIR PARTS

18 HP 44" TRACTOR - - MODEL NUMBER 917.255891

LIFT ADJUSTMENT

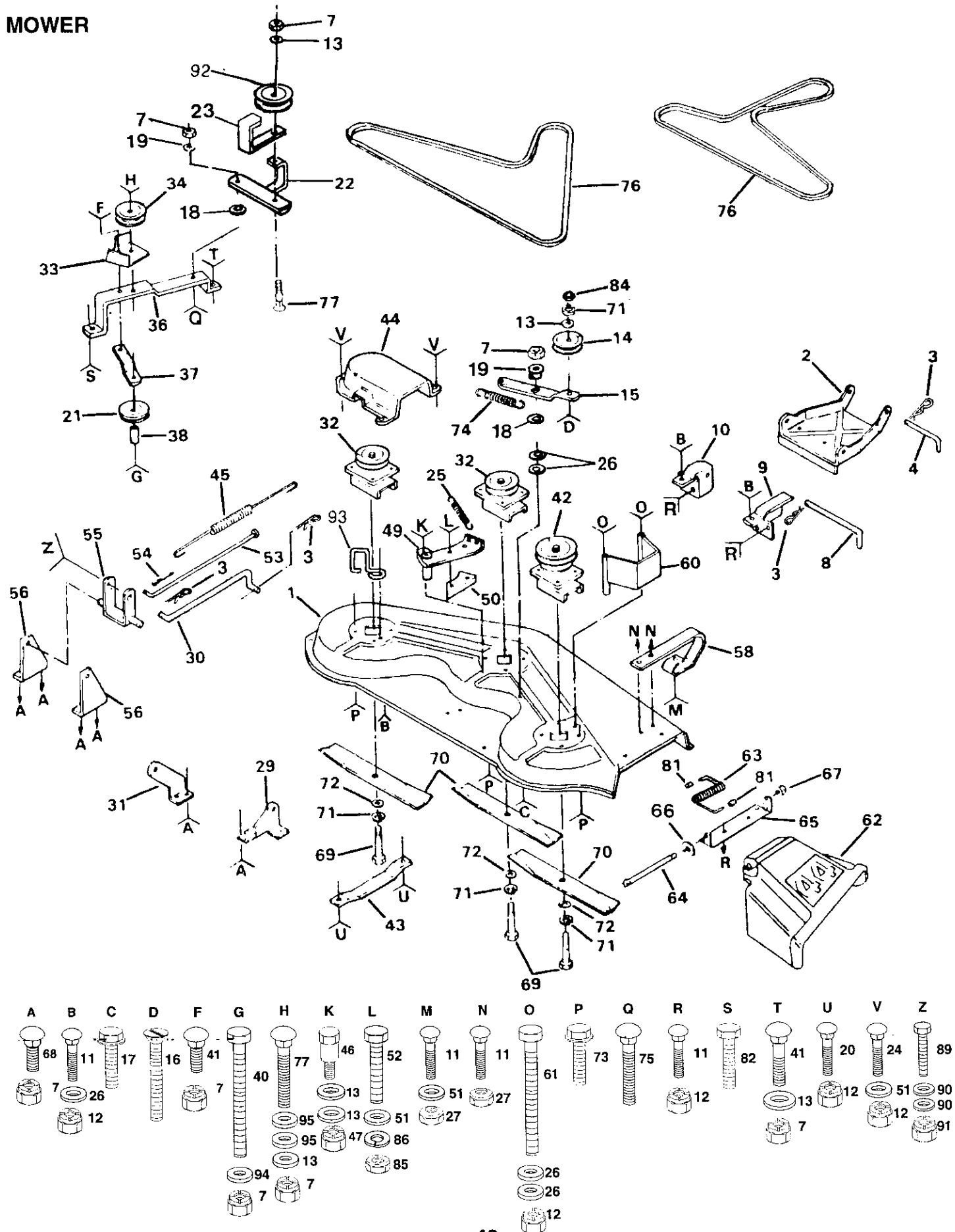
KEY NO.	PART NO.	DESCRIPTION
1	106933X	Knob
2	110924X	Lever, Mower Clutch
3	138170	Bracket, Pivot
4	73710700	Nut, Crownlock, Jam 7/16-20 UNF
5	STD523707	Bolt, Hex Head 3/8-16 x 3/4
6	106451X	Bolt, Shoulder
7	108387X	Rod, Clutch, Primary
8	76020412	Pin, Cotter 1/8 x 3/4
9	106308X	Trunnion, Lift, Lower
10	109728X	Bellcrank
12	106444X	Bracket, Bellcrank
13	12000037	Ring, Klip
14	138057	Knob, Height Adjustment
15	110807X	Nut, Special
16	110729X	Rod, Adjust, Lift
17	2876H	Spring
18	19131016	Washer 13/32 x 5/8 x 16 Gauge
20	131926	Shaft, Lift
21	121002X	Lever, Lift (Includes Key No. 22)
22	121006X	Rod, Lever
23	122364X	Plunger, Lever
24	125631X	Grip, Handle
25	STD523715	Bolt, Hex Head 3/8-16 x 1-1/2
27	110739X	Washer, Spring 3/8
28	110810X	Trunnion, Depth Stop
29	19151216	Washer 15/32 x 3/4 x 16 Gauge
30	9135R	Clip, Retainer
31	4939M	Spring, Retainer
32	110447X	Trunnion, Lift
33	4921H	Retainer Spring
34	19171516	Washer 17/32 x 15/16 x 16 Gauge
35	110448X	Link, Lift Adjust
36	110029X	Link, Lift
38	STD541237	Nut, Hex, Jam 3/8-16
40	121599X	Arm, Suspension, L.H.
41	105848X	Bolt, Shoulder 3/8-16
42	121598X	Arm, Suspension, R.H.
43	STD541050	Nut, Hex, Fin. 1/2-13
44	58606	Spring
45	76020308	Pin, Cotter 3/32 x 1/2
46	19131410	Washer 13/32 x 7/8 x 10 Gauge
47	73980600	Locknut 3/8-16
48	12000022	E-Ring
49	19292016	Washer 29/32 x 1-1/4 x 16 Gauge
50	73360700	Nut, Hex 7/16-20 UNF
51	121252X	Upstop, Mower
52	72140608	Bolt, Carriage 3/8-16 x 1
53	73680600	Nut, Crownlock 3/8-16
54	122365X	Button, Plunger

NOTE: All component dimensions given in U.S. inches
1 inch = 25.4 mm

REPAIR PARTS

18 HP 44" TRACTOR -- MODEL NUMBER 917.255891

MOWER



REPAIR PARTS

18 HP 44" TRACTOR - - MODEL NUMBER 917.255891

MOWER

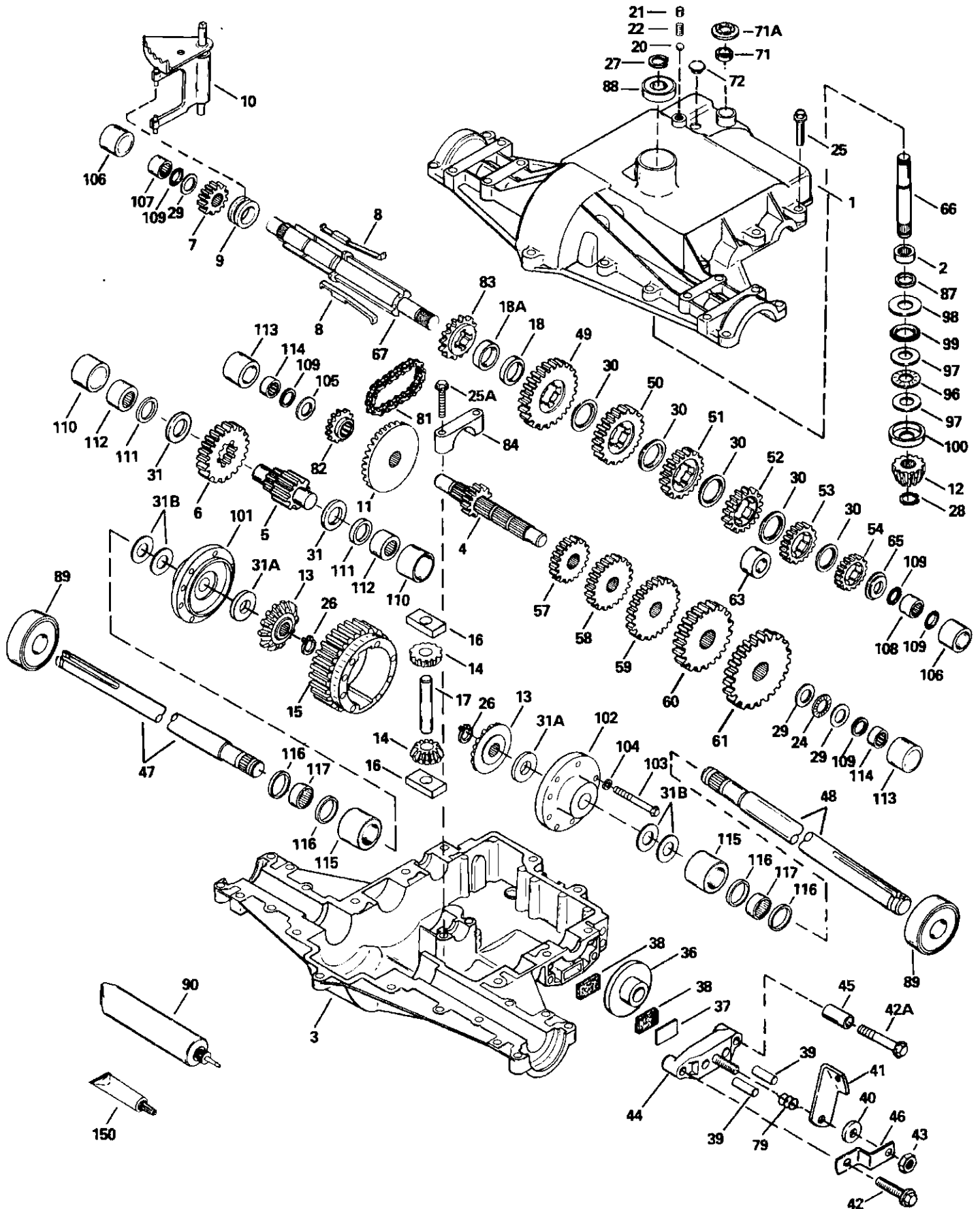
KEY NO.	PART NO.	DESCRIPTION	KEY NO.	PART NO.	DESCRIPTION
1	121423X	Housing, Mower	50	102951X	Brake, Block
2	129762	Stop Assembly, Parallel Link	51	STD551031	Washer 11/32 x 11/16 x 16 Gauge
3	4921H	Retainer, Spring	52	STD523112	Bolt, Hex Head 5/16-18 x 1-1/4
4	105744X	Hinge Pin, Front	53	108394X	Rod, Brake
7	73680600	Nut, Crownlock 3/8-16	54	STD560907	Pin, Cotter 3/32 x 3/4
8	109835X	Hinge Pin, Rear	55	110384X	Shaft, Rock
9	106512X	Bracket, Lift, R.H.	56	108393X	Support, Rock Shaft
10	106511X	Bracket, Lift, L.H.	58	136321	Runner, R.H.
11	STD533107	Bolt, Carriage 5/16-18 x 3/4	60	102924X	Guard, Belt, R.H.
12	73680500	Nut, Crownlock 5/16-18	61	74760580	Bolt, Hex Head 5/16-18 x 5
13	19131614	Washer 13/32 x 1 x 14 Gauge	62	109785X	Shield, Deflector
14	102932X	Idler, Flat	63	123713X	Spring
15	106526X	Arm, Idler Deck	64	106735X	Rod, Hinge
16	74110632	Screw, Flat Head 3/8-16 x 2	65	137607	Bracket, Deflector
17	STD523712	Bolt, Hex Head 3/8-16 x 1-1/4	66	19111016	Washer 11/32 x 5/8 x 16 Gauge
18	106513X	Washer, Wear	67	110452X	Nut, Push
19	106902X	Spacer	68	STD533707	Bolt, Carriage 3/8-16 x 3/4
20	72110505	Bolt, Carriage 5/16-18 x 5/8	69	STD623715	Bolt, Hex Head 3/8-24 x 1-1/2 Grade 5
21	102403X	Pulley, Idler	70	106635X	Blade
22	121424X	Arm, Idler	71	STD551137	Washer, Lock 3/8
23	121426X	Guide, Belt	72	19132012	Washer 13/32 x 1-1/4 x 12 Gauge
24	72110506	Bolt, Carriage 5/16-18 x 3/4	73	17490612	Screw, Hex Washer Head, Thd., Roll. 3/8-16 x 3/4
25	106530X	Spring	74	7644J	Spring, Extension
26	19111216	Washer 11/32 x 3/4 x 16 Gauge	75	72140612	Bolt, Carriage 3/8-16 x 1-1/2
27	1685H	Locknut 5/16-18	76	106085X	V-Belt
29	123807X	Bracket, Suspension, Rear, R.H.	77	72140616	Bolt, Carriage 3/8-16 x 2
30	108235X	Rod, Clutch	81	105304X	Cap, Sleeve
31	123808X	Bracket, Suspension, Rear, L.H.	82	STD523710	Bolt, Hex Head 3/8-16 x 1
32	136818	Mandrel, Secondary	84	STD541037	Nut, Hex 3/8-16
33	106529X	Guide, Belt	85	STD541031	Nut, Hex 5/16- 18
34	677A451	Pulley, Idler	86	STD551131	Washer, Lock 5/16
36	106523X	Bar, Support, Idler	89	74760412	Bolt, Hex Head 1/4-20 x 3/4
37	106522X	Brace, Idler, Deck	90	19091616	Washer 9/32 x 1 x 16 Gauge
38	121236X	Spacer	91	73680400	Nut, Crownlock 1/4-20
40	STD523730	Bolt, Hex Head 3/8-16 x 3	92	121316X	Pully, Idler
41	STD533710	Bolt, Carriage 3/8-16 x 1	93	121352X	Keeper, Belt
42	121704X	Mandrel, Primary	94	19131316	Washer 13/32 x 13/16 x 16 Gauge
43	7631J	Runner, L.H.	95	19131410	Washer 13/32 x 7/8 x 10 Gauge
44	106214X	Guard	--	121825X	Replacement Mower Deck
45	121427X	Spring, Extension			
46	121827X	Bolt, Shoulder			
47	73930600	Nut, Centerlock 3/8-16			
49	106606X	Arm, Brake			

NOTE: All component dimensions given in U.S. inches
1 inch = 25.4 mm

REPAIR PARTS

18 HP 44" TRACTOR - - MODEL NUMBER 917.255891

PEERLESS TRANSAXLE - MODEL NUMBER 143.820-016B



REPAIR PARTS

18 HP 44" TRACTOR - - MODEL NUMBER 917.255891

PEERLESS TRANSAXLE - MODEL NUMBER 143.820-016B

REF PART NO. NO.	DESCRIPTION	REF PART NO. NO.	DESCRIPTION
-- 794513	Transaxle, Complete	53 778203A	Spur Gear, Steel, 22 Teeth
1 772098A	Transaxle Cover	54 778273	Spur Gear, Steel, 19 Teeth
2 780155	Needle Bearing	57 778199	Spur Gear, Steel, 15 Teeth
3 770088	Transaxle Case	58 778200	Spur Gear, Steel, 20 Teeth
4 776291	Countershaft and Gear, 9 Teeth	59 778201	Spur Gear, Steel, 25 Teeth
5 776275	Output Shaft	60 778202	Spur Gear, Steel, 28 Teeth
6 778247	Output Gear, Steel, 35 Teeth	61 778208	Spur Gear, Steel, 31 Teeth
7 778253	Spur Gear, Steel, 15 Teeth	65 780139	Washer
8 792138	Shift Key	66 776274	Input Shaft
9 784216	Shift Collar	67 776313	Shifter and Brake Shaft
10 784342	Shift Fork	71 788069	Square Cut Ring
11 778246	Bevel Gear, Steel, 33 Teeth	71A 792145	Pushnut
12 778245	Input Bevel Pinion, Steel, 13 Teeth	72 792074	Threaded Plug 9/16-18
13 778198	Bevel Gear, Steel, 16 Teeth	79 792144	Spring
14 778197	Bevel Pinion, Steel, 10 Teeth	81 786081	Roller Chain (Number 41 Chain, 24 Links)
15 778248	Ring Gear	82 786082	Sprocket, 9 Teeth
16 786027	Drive Block	83 786123	Reverse Sprocket, 18 Teeth
17 786019	Drive Pin	84 786131	Bearing Cap
18 786121	Neutral Spacer, .350/.340 Thick	87 788042	Oil Seal 3/4
18A 786122	Neutral Spacer, .276/.268 Thick	88 780119	Ball Bearing
20 792077	Steel Ball, 5/16" Diameter	89 780050	Ball Bearing
21 792078	Set Screw, 3/8-16 x 3/8"	90 788067B	Grease, Bentonite, 32 Ounce Bottle
22 792079	Spring	96 780084	Thrust Bearing
24 780071	Thrust Bearing	97 780051	Washer
25 792129	Screw 5/16-18 x 1-1/4"	98 780165	Washer
25A 792073	Screw 1/4-20 x 1-1/4"	99 788077	"O" Ring
26 792018	Retaining Ring	100 780166	Cupped Washer
27 792018	Retaining Ring	101 774833	Differential Carrier
28 788040	Retaining Ring	102 774834	Differential Carrier
29 780072	Washer	103 792020	Screw 1/4-20 x 2-1/4
30 780108	Washer	104 792006	Lock Washer
31 780128	Washer	105 780153	Washer
31A 780107	Washer	106 786144	Sleeve
31B 780042	Washer	107 780152	Needle Bearing
36 790043	Brake Disk	108 780150	Needle Bearing
37 790007	Brake Pad Plate	109 792001	"O" Ring
38 799021	Brake Pad (Package of 2)	110 786142	Sleeve
39 786026	Dowel Pin	111 788071	Square Cut Ring
40 792076A	Washer	112 780168	Needle Bearing
41 790047	Brake Lever	113 786143	Sleeve
42 792073	Screw 1/4-20 x 1-1/4	114 780151	Needle Bearing
42A 792085A	Screw 1/4-20 x 2-1/4	115 786145	Sleeve
43 792075	Locknut 5/16-24	116 788070	Square Cut Ring
44 790025	Brake Pad Holder	117 780031	Needle Bearing
45 786067	Spacer	150 510334	Gasket Eliminator (Loctite Number 515)
46 786086	Brake Lever Bracket		
47 774832	Axle, 12-5/16" Long		
48 774831	Axle, 16-3/16" Long		
49 778216A	Spur Gear, Steel, 41 Teeth		
50 778206A	Spur Gear, Steel, 35 Teeth		
51 778205A	Spur Gear, Steel, 30 Teeth		
52 778204A	Spur Gear, Steel, 25 Teeth		

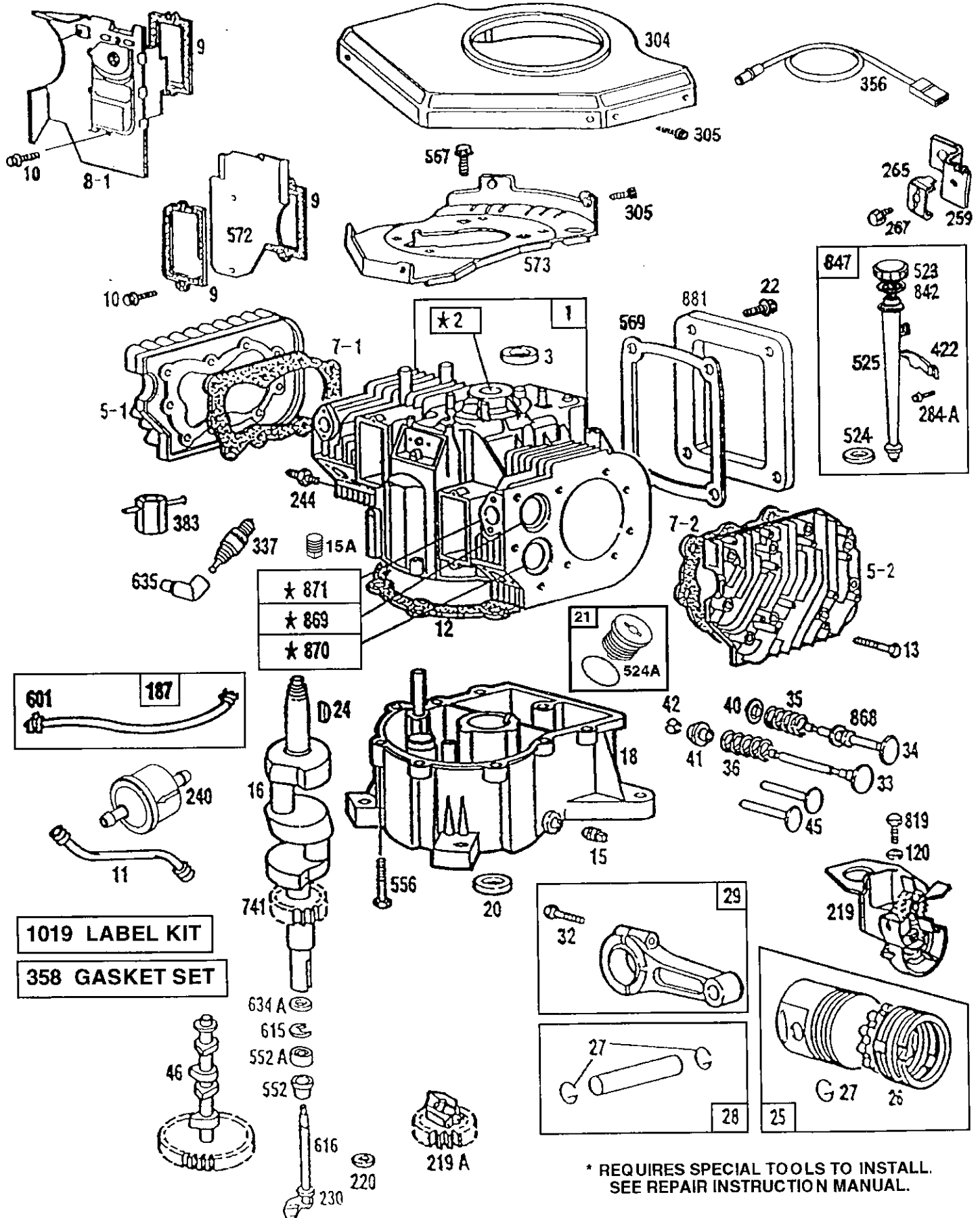
Parts must be ordered from Tecumseh Products Co.

NOTE: All component dimensions given in U.S. inches
1 inch = 25.4 mm

REPAIR PARTS

18 HP 44" TRACTOR -- MODEL NUMBER 917.255891

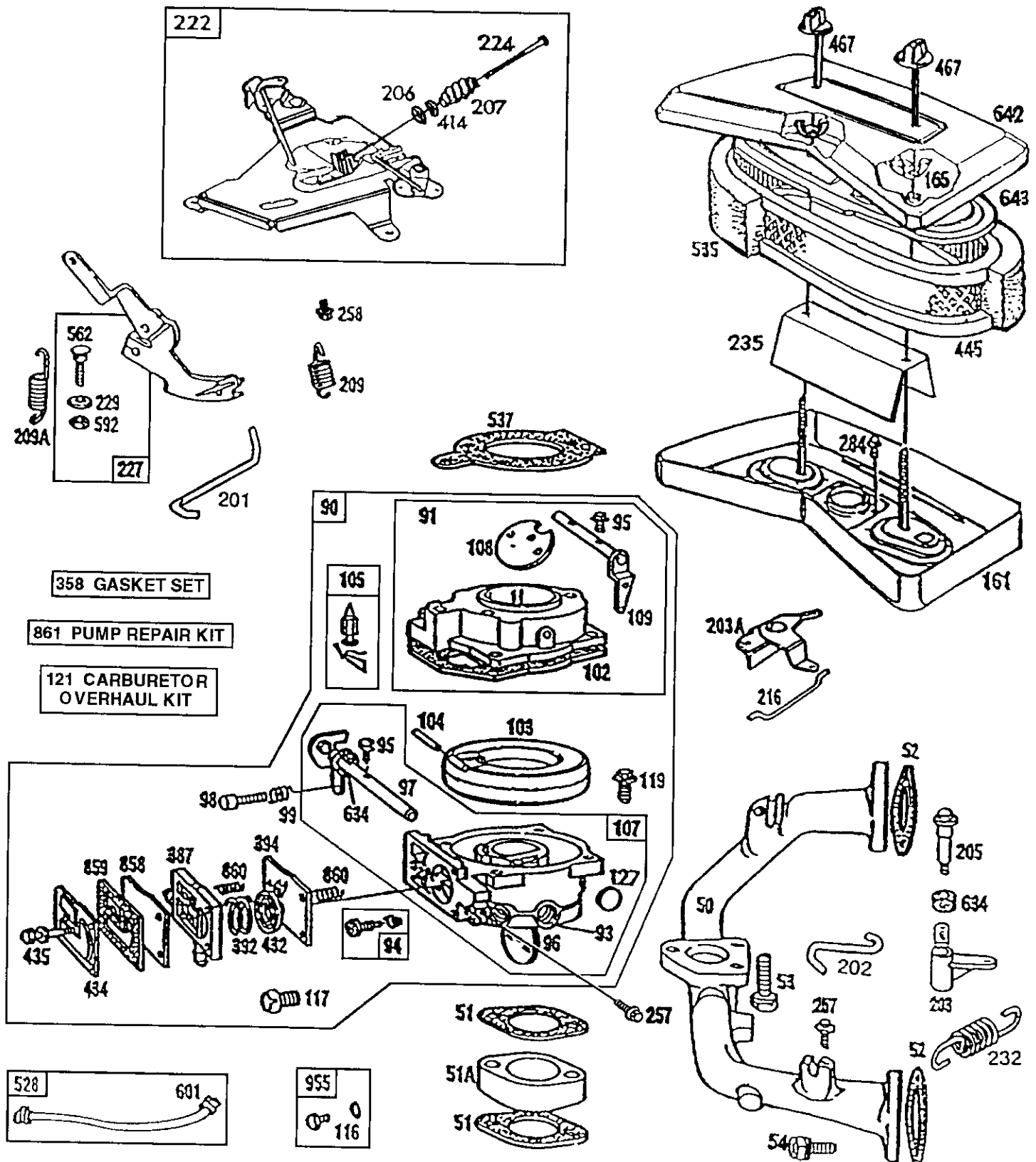
BRIGGS & STRATTON ENGINE - MODEL NUMBER 422707, TYPE NUMBER 1254-01



REPAIR PARTS

18 HP 44" TRACTOR - - MODEL NUMBER 917.255891

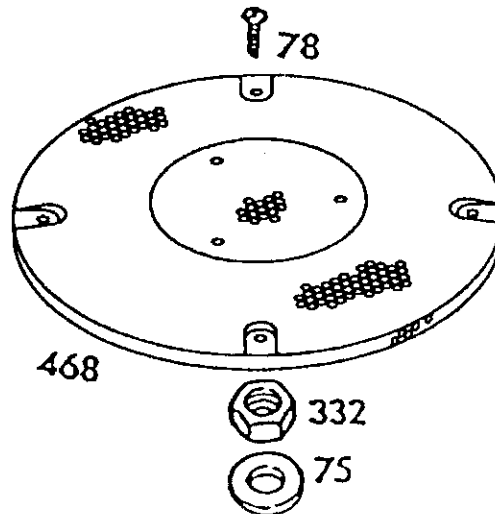
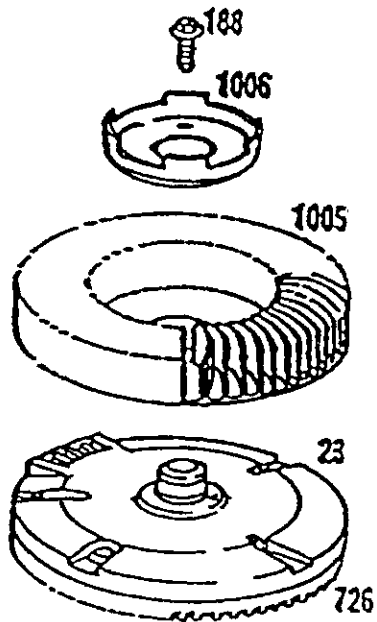
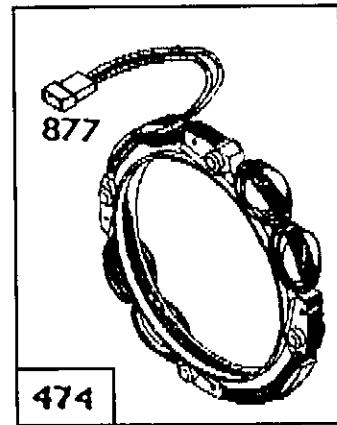
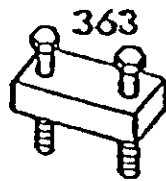
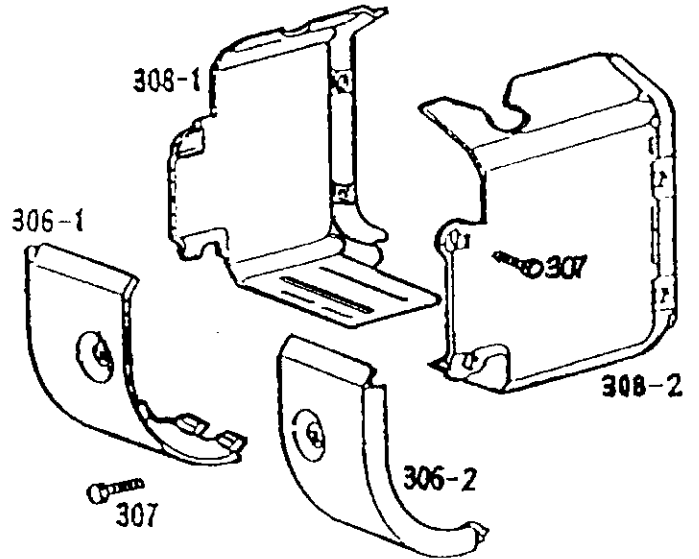
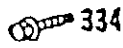
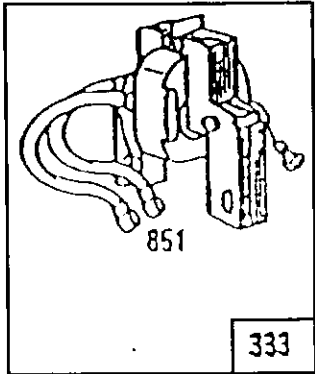
BRIGGS & STRATTON ENGINE - MODEL NUMBER 422707, TYPE NUMBER 1254-01



REPAIR PARTS

18 HP 44" TRACTOR - - MODEL NUMBER 917.255891

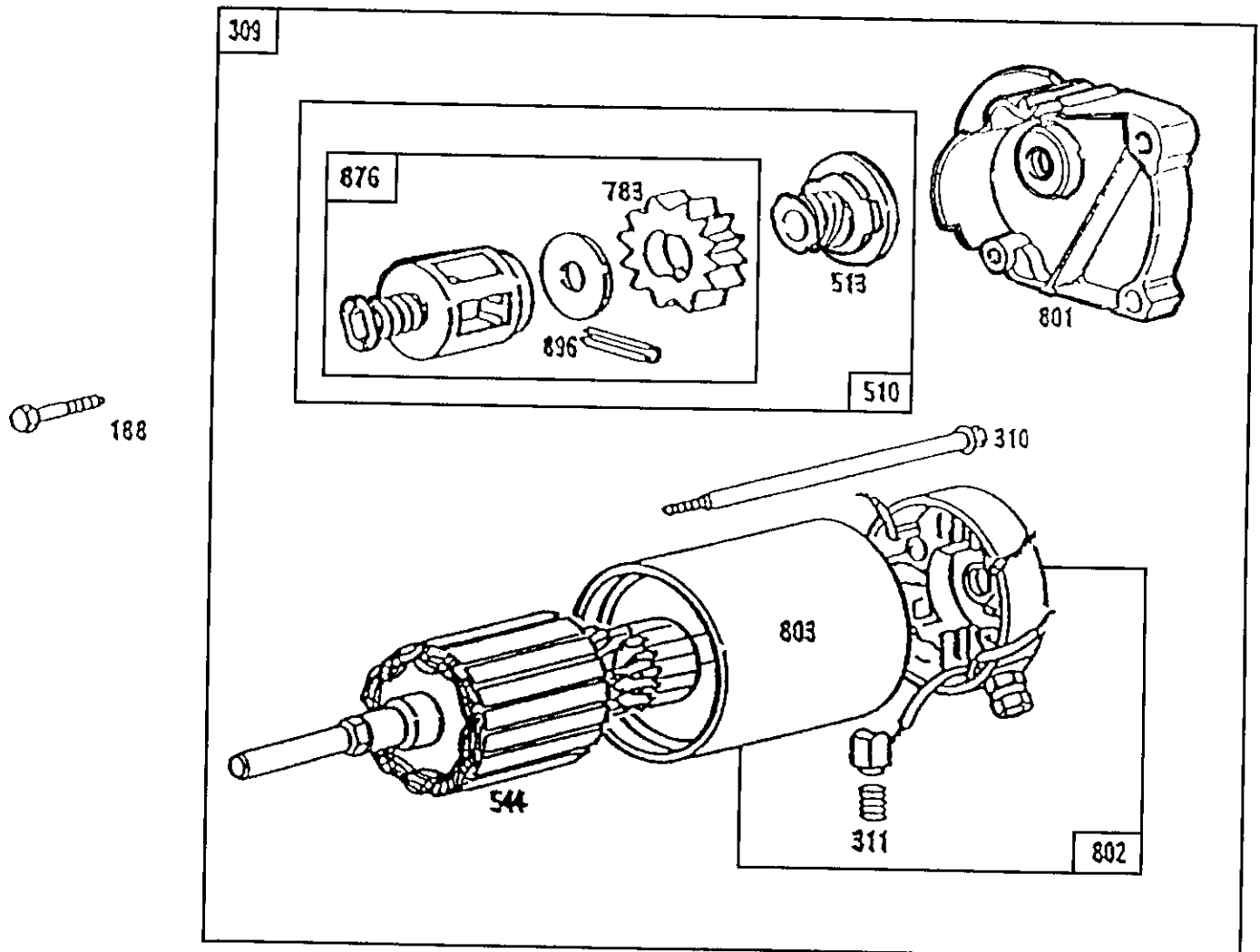
BRIGGS & STRATTON ENGINE - MODEL NUMBER 422707, TYPE NUMBER 1254-01



REPAIR PARTS

18 HP 44" TRACTOR - - MODEL NUMBER 917.255891

BRIGGS & STRATTON ENGINE - MODEL NUMBER 422707, TYPE NUMBER 1254-01



Reference Number		309	310	311	544	801	802	803
Manufacturer		Motor and Drive Ass'y.	Thru Bolt Assembly	Brush Assembly	Armature Assembly	Drive End Cap Assembly	End Cap Ass'y. Commutator	Housing Assembly
Briggs & Stratton	Housing Length							
12V	3-5/8"	394808	94003	395538	390837	394860	395537•	398159

*Includes Brush Set

Reference Number	510	513	783	876	896
Starter Motor Mfr.	Starter Drive Group	Clutch Assembly	Gear	Pinion Spring Kit	Roll Pin
Briggs & Stratton					
12V	490421	398003	280104	490467	94288(Copper)

REPAIR PARTS

18 HP 44" TRACTOR - - MODEL NUMBER 917.255891

BRIGGS & STRATTON ENGINE - MODEL NUMBER 422707, TYPE NUMBER 1254-01

KEY PART NO. NO.	DESCRIPTION	KEY PART NO. NO.	DESCRIPTION	
1	494533	50	213290	Manifold, Intake
2	399265	51	271412	*** Gasket, Carburetor & Intake Elbow
3	391086	51A	280319	Spacer, Carburetor
5-1	493457	52	270884	* Gasket, Intake Manifold Mounting
5-2	493458	53	93970	Screw, Sems, Carburetor Mounting
7-1	271867	54	93208	Screw, Sems, Intake Manifold Mnt.
7-2	271868	75	222511	Washer, Spring
8-1	398065	78	94326	Screw, Sems
8-2	222892	81	223016	Lock, Muffler Screw
		90	495181	Carburetor Assembly
		91	495035	Body Assembly, Upper Carburetor
		93	231209	Bushing, Throttle Shaft
9	27803	94	491538	** Valve Assembly, Carburetor Idle
10	94382	95	93499	Screw, Sems,
11	280225			Throttle and Choke Valve Mounting
12	271703	96	221939	Valve, Throttle
	271188	97	392672	Shaft and Lever, Throttle
	271189	98	91920	Screw, Machine, Fillister Head
13	94565	99	26157	Spring, Throttle Adjustment
15	94239	102	271607	** Gasket, Carburetor Body
15A	94497	103	298514	Float, Carburetor
16	394028	104	230896	** Pin, Float Hinge
	94196	105	394683	** Valve, Fuel Inlet
18	493304	107	491543	Body, Lower Carburetor
20	291675	108	223534	Valve, Choke
21	399195	109	392673	Shaft and Lever, Choke
22	90887	116	280474	O-Ring
		117	231338	Jet, Needle Valve
		119	94152	Screw, Sems, Hex Head
23	491180	120	92290	Washer, Lock
		121	491539	Carburetor Overhaul Kit
24	222698	127	223472	Plug, Welch
25	394955	161	398826	Body, Air Cleaner
	394956	165	94289	Nut, Wing
	394957	187	299146	Line, Fuel, 28" (Cut to Suit)
	394958	188	93535	Screw, Hex Head
26	394959	201	262683	Link, Governor
	394960	202	262684	Link, Throttle
	394961	203	280997	Crank, Bell
	394962	203A	490207	Crank, Bell
27	260924	205	93971	Screw, Shoulder
28	299691	206	94298	Nut, Square
	391286	207	262337	Spring, Compression
29	394306	209	262351	Spring, Governor
	397158	209A	261563	Spring, Governor Idle
		216	262375	Link
32	94671	219	393415	Oil Slinger Assembly
33	390420			* Included in Gasket Set (491856)
34	261528			** Included in Carburetor Overhaul Kit (491539)
				*** Included in both Gasket Set (491856), and Carburetor Overhaul Kit (491539)
35	65906			
36	26828			
40	221596			
41	292260			
42	93630			
45	261368			
46	213421			

NOTE: All component dimensions given in U.S. inches
1 inch = 25.4 mm

REPAIR PARTS

18 HP 44" TRACTOR - - MODEL NUMBER 917.255891

BRIGGS & STRATTON ENGINE - MODEL NUMBER 422707, TYPE NUMBER 1254-01

KEY PART NO. NO.	DESCRIPTION	KEY PART NO. NO.	DESCRIPTION
219A 394348	Gear, Governor	535 271271	Element, Air Cleaner
220 222773	Washer, Thrust	537 271411	*** Gasket, Air Cleaner
222 491282	Plate Assembly, Governor Control	552 262332	Lower Bushing, Governor
224 94297	Screw, Pan Head	552A 262331	Upper Bushing, Governor
227 491297	Lever Assembly, Governor	556 93585	Screw, Sems, Hex Head
229 62199	Washer	562 93853	Bolt, Governor Lever
230 223882	Washer, Governor Crank, Inside	567 93777	Screw, Hex Head, Back Plate to Cylinder
232 262539	Spring, Governor Control	569 270981	* Gasket, Crankcase
235 224039	Shield, Spitback	572 224580	Baffle, Air, Cylinder Number 2
240 493629	Filter, Fuel (In Fuel Line to Tank)	573 491304	Back Plate Assembly
244 230318	Connector, Impulse Pump	592 92278	Nut, Hex
257 93897	Screw, Sems	601 93053	Clamp, Fuel Line
258 93949	Screw, Sems	615 94296	Retainer, E-Ring
259 223890	Bracket, Cable	616 491530	Crank, Governor
265 221535	Clamp, Casing	634 271013	** Washer, Throtte Shaft
267 93496	Screw, Hex Head	634A 491287	Seal, Governor Shaft
284 94264	Screw, Hex Head	635 66538	Elbow, Spark Plug
284A 93469	Screw, Hex Head	642 223579	Cover, Air Cleaner
304 492656	Housing, Blower	643 223714	Cartridge Plate, Air Cleaner
305 94608	Screw, Sems 1/2	726 391362	Gear, Flywheel Ring (Includes Mounting Parts)
94513	Screw, Sems 3/4	741 262694	Gear, Timing
306-1 222846	Shield, Cylinder	819 94675	Screw, Hex Head
306-2 223734	Shield, Cylinder	842 271170	Seal, Oil Filler Cap
307 94386	Screw, Sems	847 394394	Dipstick and Tube Assembly
308-1 222848	Cover, Air Guide	851 221798	Terminal, Ignition Cable
308-2 222849	Cover, Air Guide	858 270989	**** Diaphragm, Damping
309 - - -	Motor, Starting (See Chart on Illustrated Pages for Replacement Parts for Starting Motors)	859 271025	**** Gasket, Carburetor Pump
319 394988	Armature Assembly	860 261358	**** Spring (2)
332 230674	Nut, Hex	861 393397	Repair Kit, Pump
333 394891	Armature Group, MAGNETRON® Ignition	868 393606	Seal Assembly and Retainer
334 93381	Screw, Sems, Armature Mounting	869 261463	Seat, Intake Valve, Standard
337 802592	Plug, Spark, Resistor (with Gasket)	870 213316	Seat, Exhaust Valve, Standard
356 494705	Wire, Ground	871 261961	Guide, Exhaust Valve
358 491856	Gasket Set	231218	Guide, Intake Valve (See Manual)
363 19203	Puller, Flywheel (Optional Accessory)	877 393456	Connector Assembly
383 89838	Wrench, Spark Plug	881 212455	Cover Plate, Crankcase
387 280197	Body, Pump	955 397882	Plug and Seal, Solenoid
392 261395	**** Spring, Pump	1005 280815	Fan, Flywheel
394 270988	**** Diaphragm	1006 224413	Retainer, Fan
414 223882	Washer	1019 491262	Decal Kit
422 222875	Clamp, Oil Filler		RPM Settings: Low Speed: 1100-1400 High Speed: 3500-3700
432 221377	**** Cap, Spring		
434 223688	Cover, Diaphragm		* Included in Gasket Set (491856)
435 93829	Screw, Diaphragm Cover		** Included in Carburetor Overhaul Kit (491539)
445 394019	Cartridge, Air Cleaner		*** Included in both Gasket Set (491856), and Carburetor Overhaul Kit (491539)
467 493903	Knob, Air Cleaner		**** Included in both Carburetor Overhaul Kit (491539), and Pump Repair Kit (393397)
468 224521	Screen, Flush Rotating		
474 393474	Stator, Alternator, Dual Circuit		
482 93621	Screw, Sems		
523 494927	Cap and Dipstick, Oil Filler		
524 271157	Seal, Filler Tube		
524A 271485	Seal, Tube		
525 495348	Tube, Oil Filler		
528 393815	Impulse Line and Clamp Assembly		

NOTE: All component dimensions given in U.S. inches
1 inch = 25.4 mm

SERVICE NOTES
