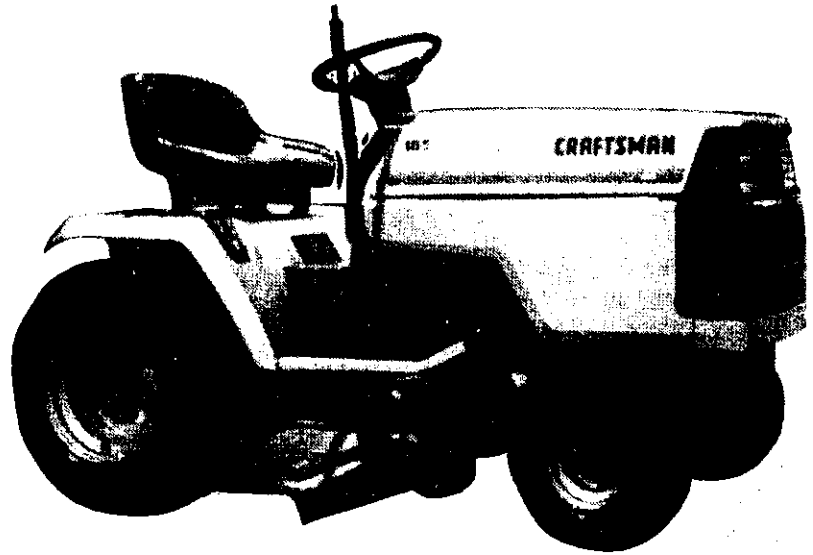


**SEARS**

**OWNER'S  
MANUAL**

**MODEL NO.  
917.255940**

**Caution:  
Read and follow  
all Safety Rules  
and Instructions  
Before Operating  
This Equipment**



**CRAFTSMAN<sup>®</sup>  
18.0 HP TWIN CYLINDER  
44" MOWER  
6 SPEED  
GARDEN TRACTOR**

- Assembly
- Operation
- Maintenance
- Service and Adjustment
- Repair Parts

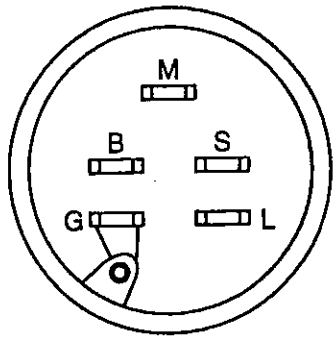
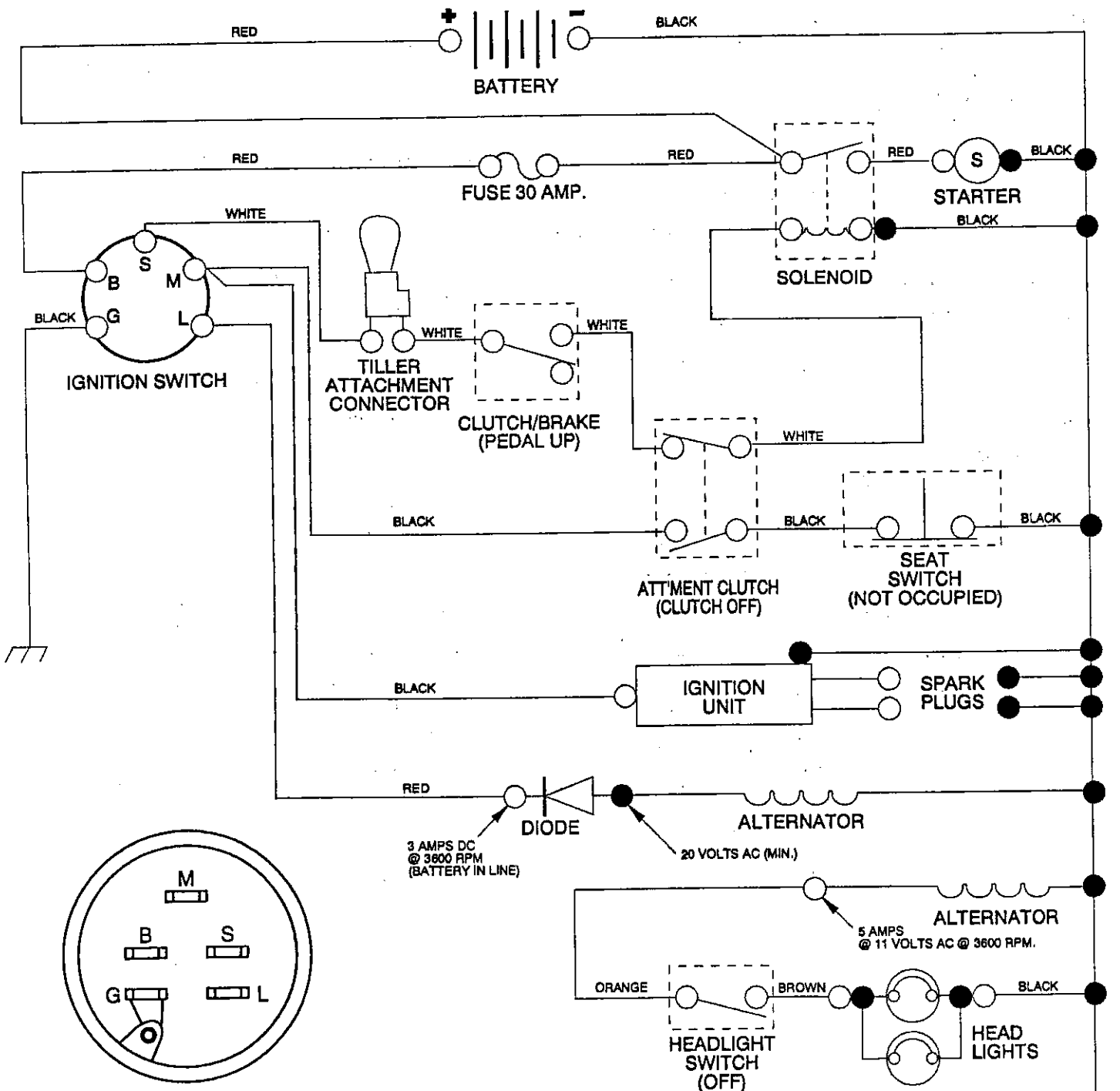
---

Sears, Roebuck and Co., Chicago, IL 60684 U.S.A.

---

# 18 HP 44" RIDING GARDEN TRACTOR - MODEL NUMBER 917.255940

## SCHEMATIC



IGNITION SWITCH

| POSITION | CIRCUIT |
|----------|---------|
| OFF      | M + G   |
| ON       | B + L   |
| START    | B + S   |

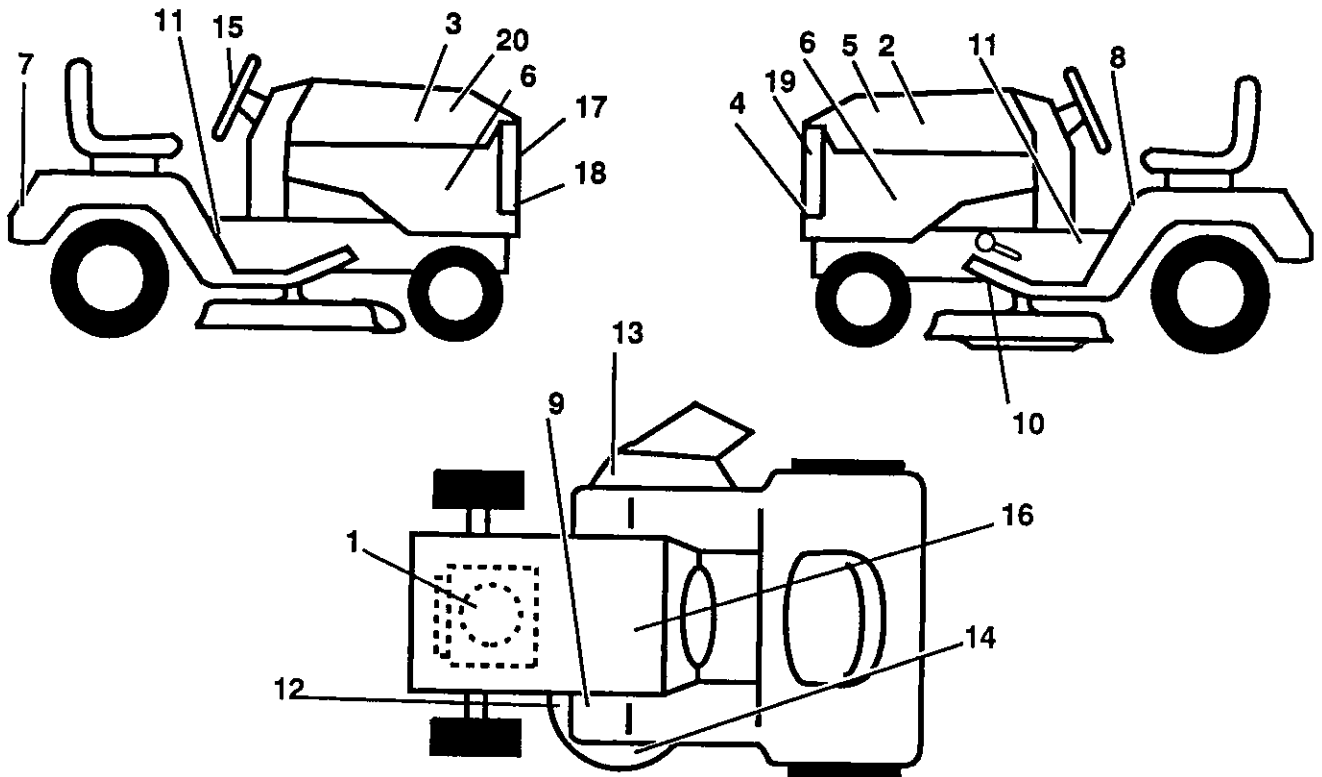
**WIRING INSULATED CLIPS**  
 NOTE: IF WIRING INSULATED CLIPS WERE REMOVED FOR SERVICING OF UNIT, THEY SHOULD BE REPLACED TO PROPERLY SECURE YOUR WIRING

**NOTE**  
 YOUR TRACTOR IS EQUIPPED WITH A SPECIAL ALTERNATOR SYSTEM. THE LIGHTS ARE NOT CONNECTED TO THE BATTERY, BUT HAVE THEIR OWN ELECTRICAL SOURCE. BECAUSE OF THIS, THE BRIGHTNESS OF THE LIGHTS WILL CHANGE WITH ENGINE SPEED. AT IDLE THE LIGHTS WILL DIM. AS THE ENGINE IS SPEEDED UP, THE LIGHTS WILL BECOME THEIR BRIGHTEST.

● NON-REMOVABLE CONNECTIONS      ○ REMOVABLE CONNECTIONS

# REPAIR PARTS

18 HP 44" RIDING GARDEN TRACTOR -- MODEL NUMBER 917.255940  
DECALS

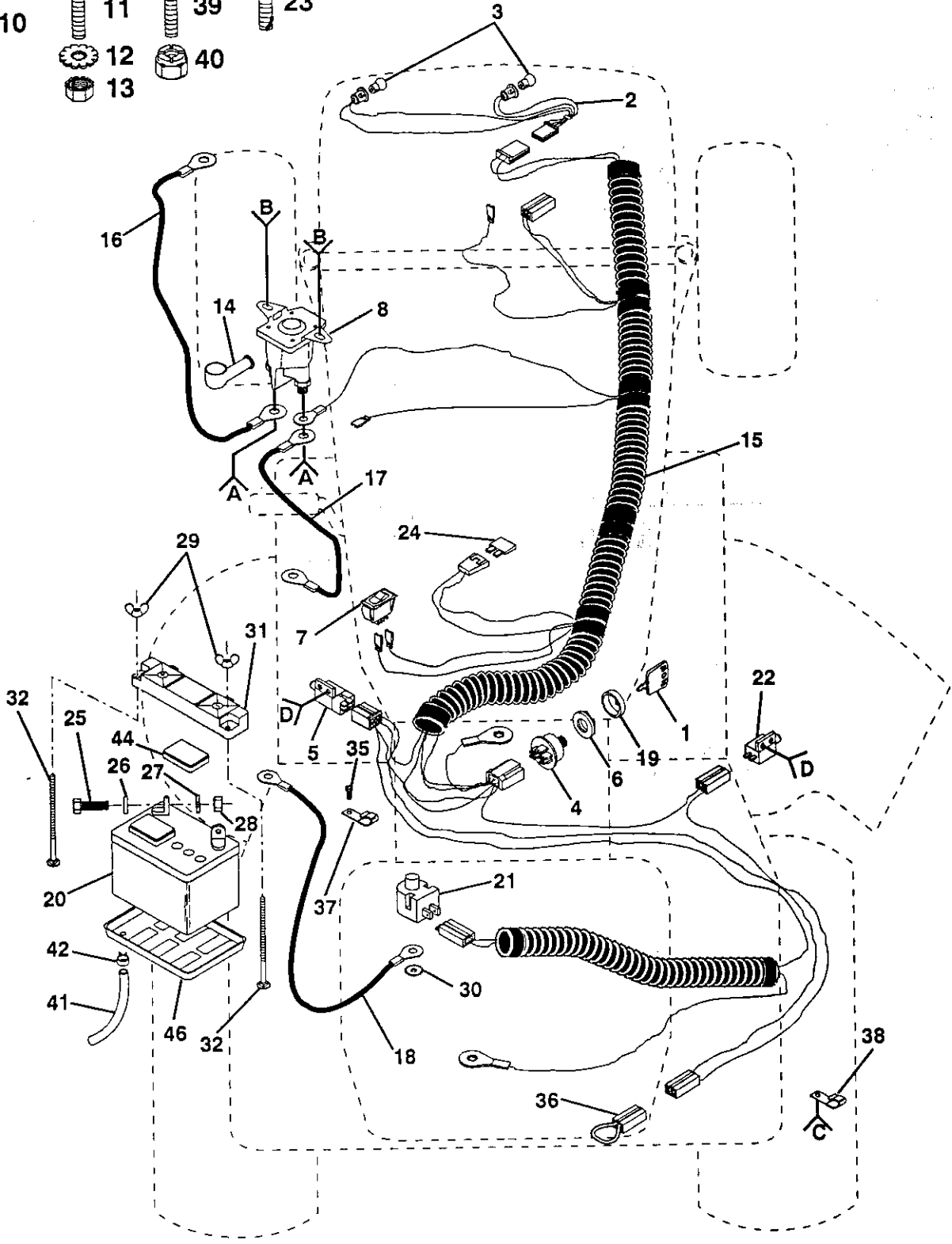
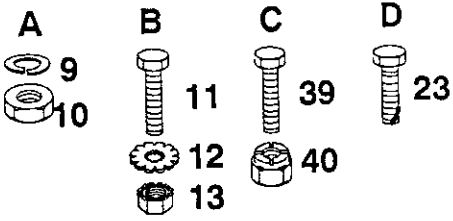


| KEY PART NO. NO. | DESCRIPTION | KEY PART NO. NO.               | DESCRIPTION |         |                                     |
|------------------|-------------|--------------------------------|-------------|---------|-------------------------------------|
| 1                | 124607X     | Decal, Engine, HP              | 14          | 3713J   | Decal, Rotating Blades              |
| 2                | 130596      | Decal, Hood Stripe, L.H.       | 15          | 132269  | Decal, Steering Wheel Insert        |
| 3                | 130595      | Decal, Hood Stripe, R.H.       | 16          | 108456X | Decal, Operating Instructions, Dash |
| 4                | 105568X     | Decal, Grill                   | 17          | 105806X | Decal, Logo, Grill                  |
| 5                | 106813X     | Decal, Side Panel, L.H.        | 18          | 133110  | Decal, USA, Grill                   |
| 6                | 126671X     | Decal, II                      | 19          | 128259  | Decal, Model, Grill                 |
| 7                | 105801X     | Decal, Fender                  | 20          | 106814X | Decal, Side Panel, R.H.             |
| 8                | 106974X     | Decal, Caution                 | —           | 133111  | Manual, Owner's (English)           |
| 9                | 4900J       | Decal, Clutch/Brake            | —           | 101539X | Sheet, Slope                        |
| 10               | 109199X     | Decal, V-Belt Drive            |             |         |                                     |
| 11               | 105567X     | Decal, Chassis Speed/Deck Size |             |         |                                     |
| 12               | 106623X     | Decal, Mower Drive Belt        |             |         |                                     |
| 13               | 121343X     | Decal, Danger                  |             |         |                                     |

# REPAIR PARTS

18 HP 44" RIDING GARDEN TRACTOR - - MODEL NUMBER 917.255940

ELECTRICAL



# REPAIR PARTS

## 18 HP 44" RIDING GARDEN TRACTOR - - MODEL NUMBER 917.255940

### ELECTRICAL

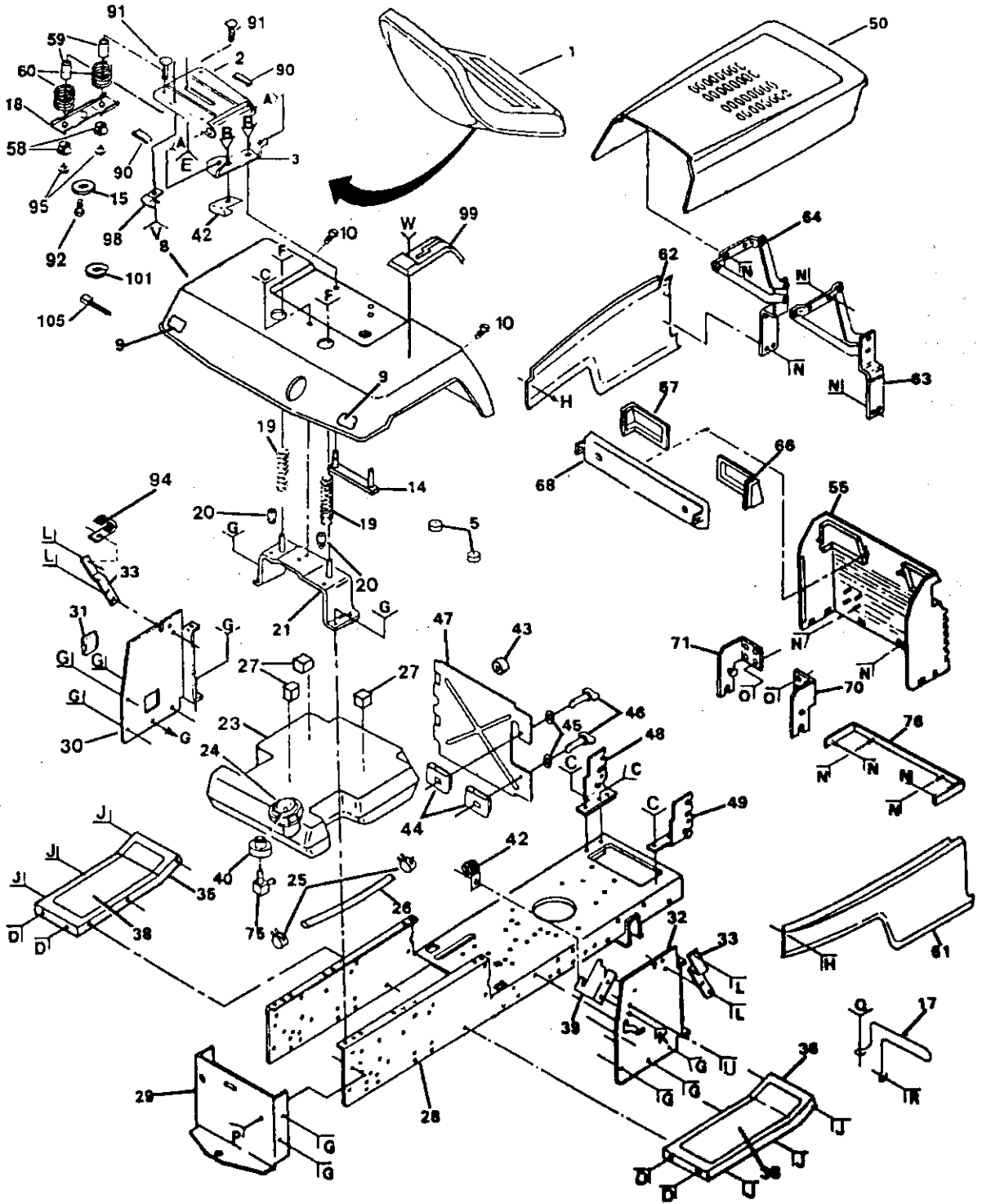
| KEY PART NO. NO. | DESCRIPTION | KEY PART NO. NO. | DESCRIPTION |                                |
|------------------|-------------|------------------|-------------|--------------------------------|
| 1                | 109310X     | 23               | 17021008    | Screw, Hex Tap. #10-24 x 1/2   |
| 2                | 110859X     | 24               | 108824X     | Fuse                           |
| 3                | 4152J       | 25               | 74760412    | * Bolt, Hex 1/4-20 x 3/4       |
| 4                | 4406R       | 26               | STD551025   | * Washer 9/32 x 5/8 x 16 Ga.   |
| 5                | 109553X     | 27               | STD551125   | * Washer, Lock 1/4             |
|                  |             | 28               | STD541025   | * Nut, Hex 1/4-20              |
| 6                | 124211X     | 29               | 123198X     | Nut, Wing 1/4-20               |
| 7                | 110712X     | 30               | 11050600    | Washer, Lock 3/4 Ext. Tooth    |
| 8                | 109081X     | 31               | 102476X     | Guard, Terminal                |
| 9                | 10090400    | 32               | 72240460    | Bolt, Carriage 1/4-20 x 7-1/2  |
| 10               | 73350400    | 35               | 74760612    | Bolt, Fin Hex 3/8-16 UNC x 3/4 |
| 11               | 74780408    | 36               | 102501X     | Wire Loop                      |
| 12               | 11050400    | 37               | 2751R       | Clip, Fuel Line                |
| 13               | 73510400    | 38               | 235R        | Clip, Insulation               |
| 14               | 131563      | 39               | 74780408    | * Bolt, Hex 1/4-20 x 1/2       |
| 15               | 121802X     | 40               | 73680400    | Nut, Crownlock 1/4-20          |
| 16               | 4799J       | 41               | 100541K     | Tube                           |
| 17               | 4206J       | 42               | 109596X     | Clamp, Hose                    |
| 18               | 4207J       | 44               | 121264X     | Caps, Battery                  |
| 19               | 123620X     | 46               | 7603J       | Tray, Battery                  |
| 20               | 121537X     |                  |             |                                |
| 21               | 121305X     |                  |             |                                |
| 22               | 104445X     |                  |             |                                |

\* STANDARD HARDWARE—PURCHASE LOCALLY

NOTE: All component dimensions given in U. S. inches.  
1 inch = 25.4 mm

# REPAIR PARTS

## 18 HP 44" RIDING GARDEN TRACTOR - - MODEL NUMBER 917.255940 CHASSIS AND ENCLOSURES



- | A | B | C  | D  | E  | F  | G  | H  | J  | K  | L  | N  | O   | Q  | R   | U   | V  | W   |
|---|---|----|----|----|----|----|----|----|----|----|----|-----|----|-----|-----|----|-----|
| 4 | 7 | 11 | 13 | 93 | 85 | 11 | 87 | 37 | 13 | 13 | 54 | 104 | 83 | 100 | 100 | 96 | 103 |
| 6 |   |    | 12 |    | 7  | 79 | 88 | 7  | 79 | 7  |    |     | 84 | 7   | 12  | 97 | 102 |
|   |   |    | 7  |    |    |    | 89 |    |    |    |    |     | 84 |     | 7   |    | 86  |

# REPAIR PARTS

## 18 HP 44" RIDING GARDEN TRACTOR - - MODEL NUMBER 917.255940 CHASSIS AND ENCLOSURES

| KEY NO. | PART NO.   | DESCRIPTION                                 | KEY NO. | PART NO.   | DESCRIPTION                                   |
|---------|------------|---|---------|------------|---|
| 1       | 127437     | Seat  | 50      | 106013X417 | Hood  |
| 2       | 124294X    | Pan, Seat                                   | 54      | 108067X    | Nut, Pal                                      |
| 3       | 126656X    | Bracket, Pivot, Seat                        | 55      | 105528X    | Grill   |
| 4       | 105529X    | Bolt, Shoulder 5/16-18                      | 58      | 121248X    | Bushing, Snap                                 |
| 5       | 124238X    | Cap, Spring                                 | 59      | 121249X    | Spacer, Split                                 |
| 6       | STD541431  | * Nut, Crownlock 5/16-18                    | 60      | 121250X    | Spring, Compression                           |
| 7       | STD541437  | * Nut, Crownlock 3/8-16                     | 61      | 108403X417 | Panel, Side, R.H.                             |
| 8       | 123784X417 | Fender                                      | 62      | 108410X417 | Panel, Side, L.H.                             |
| 9       | 106202X    | Reflector, Rear                             | 63      | 106091X    | Hinge, R.H.                                   |
| 10      | 17490608   | Screw, Hex Washer Thd. Roll<br>3/8-16 x 1/2 | 64      | 106090X    | Hinge, L. H.                                  |
| 11      | 17490612   | Screw, Hex Washer Thd. Roll<br>3/8-16 x 3/4 | 66      | 106003X    | Lens, R.H.                                    |
| 12      | 19131312   | Washer 13/32 x 13/16 x 12 Ga.               | 67      | 106004X    | Lens, L.H.                                    |
| 13      | STD523707  | * Bolt, Hex, 3/8-16 x 3/4                   | 68      | 132257     | Bezel, Headlight                              |
| 14      | 105511X    | Strap, Fender                               | 70      | 108512X    | Bracket, Pivot, R.H.                          |
| 15      | 19171912   | Washer 17/32 x 1-3/16 x 12 Ga.              | 71      | 108513X    | Bracket, Pivot, L.H.                          |
| 17      | 108885X    | Guard, Muffler                              | 75      | 8710J      | Stem, Tank, Fuel                              |
| 18      | 121246X    | Bracket, Switch, Seat                       | 76      | 110350X417 | Strap Assembly, Grill                         |
| 19      | 124181X    | Compression, Spring                         | 79      | 11050600   | Washer, Lock, Ext. Tooth 3/8                  |
| 20      | 105531X    | Nut, Push                                   | 83      | 17490616   | Bolt, Hex Washer Thread Rolling<br>3/8-16 x 1 |
| 21      | 105509X    | Bracket, Fender                             | 84      | 19131616   | Washer, 13/32 x 1 x 16 Ga.                    |
| 23      | 106020X    | Tank, Fuel                                  | 85      | 19131614   | Washer, 13/32 x 1 x 14 Ga.                    |
| 24      | 123549X    | Cap, fuel                                   | 86      | 19060718   | Washer, 3/16 x 7/16 x 18 Ga.                  |
| 25      | 123487X    | Clamp, Hose                                 | 87      | 106909X    | Screw, Special                                |
| 26      | 5277J      | Line, Fuel                                  | 88      | 106910X    | Washer  |
| 27      | 106082X    | Pad, Spacer                                 | 89      | 108402X    | U-Clip  |
| 28      | 127166X    | Chassis Assembly                            | 90      | 121251X    | Strip, Foam                                   |
| 29      | 123785X    | Drawbar                                     | 91      | 72170410   | Bolt, Carr. 1/4-20 x 1-1/4                    |
| 30      | 124118X    | Panel, Dash, L.H.                           | 92      | 74780814   | Bolt, Fin Hex 1/2-13 x 7/8 Gr. 5              |
| 31      | 121794X    | Cover, Access                               | 93      | 127018X    | Bolt, Shoulder 5/16-18 x .62                  |
| 32      | 110828X    | Panel, Dash, R. H.                          | 94      | 5320R      | Clip, Insulated                               |
| 33      | 105525X    | Bracket, Support, Dash                      | 95      | 123976X    | Nut, Hex Large Flange                         |
| 35      | 105465X417 | Footrest, L.H.                              | 96      | STD511005  | * Screw, Sltd. Pan Head #10-24 x 1/4          |
| 36      | 105464X417 | Footrest, R.H.                              | 97      | 73951000   | Nut, Keps #10-24                              |
| 37      | STD533707  | * Bolt, Carr. 3/8-16 x 3/4                  | 98      | 4171R      | Clip, Insulated                               |
| 38      | 105466X    | Pad, Footrest                               | 99      | 123825X    | Console, Shifter                              |
| 39      | 110923X    | Bracket, Clutch, Mower                      | 100     | STD523710  | * Bolt, Fin Hex 3/8-16 UNC x 1                |
| 40      | 3645J      | Bushing                                     | 101     | STD551150  | * Washer, Lock 1/4                            |
| 42      | 2751R      | Clip, Insulated                             | 102     | 10100800   | Washer, Lock                                  |
| 43      | 110436X    | Grommet, Split                              | 103     | 74640806   | Screw #8 x 3/8                                |
| 44      | 105839X    | Receptacle                                  | 104     | 120579X    | Nut, Pal                                      |
| 45      | 105838X    | Retainer                                    | 105     | 131127     | Cable Tie                                     |
| 46      | 123650X    | Stud, 1/4 Turn                              |         |            |   |
| 47      | 105867X    | Shield, Heat                                |         |            |   |
| 48      | 109015X    | Bracket, Pivot, L. H.                       |         |            |   |
| 49      | 109016X    | Bracket, Pivot, R. H.                       |         |            |   |

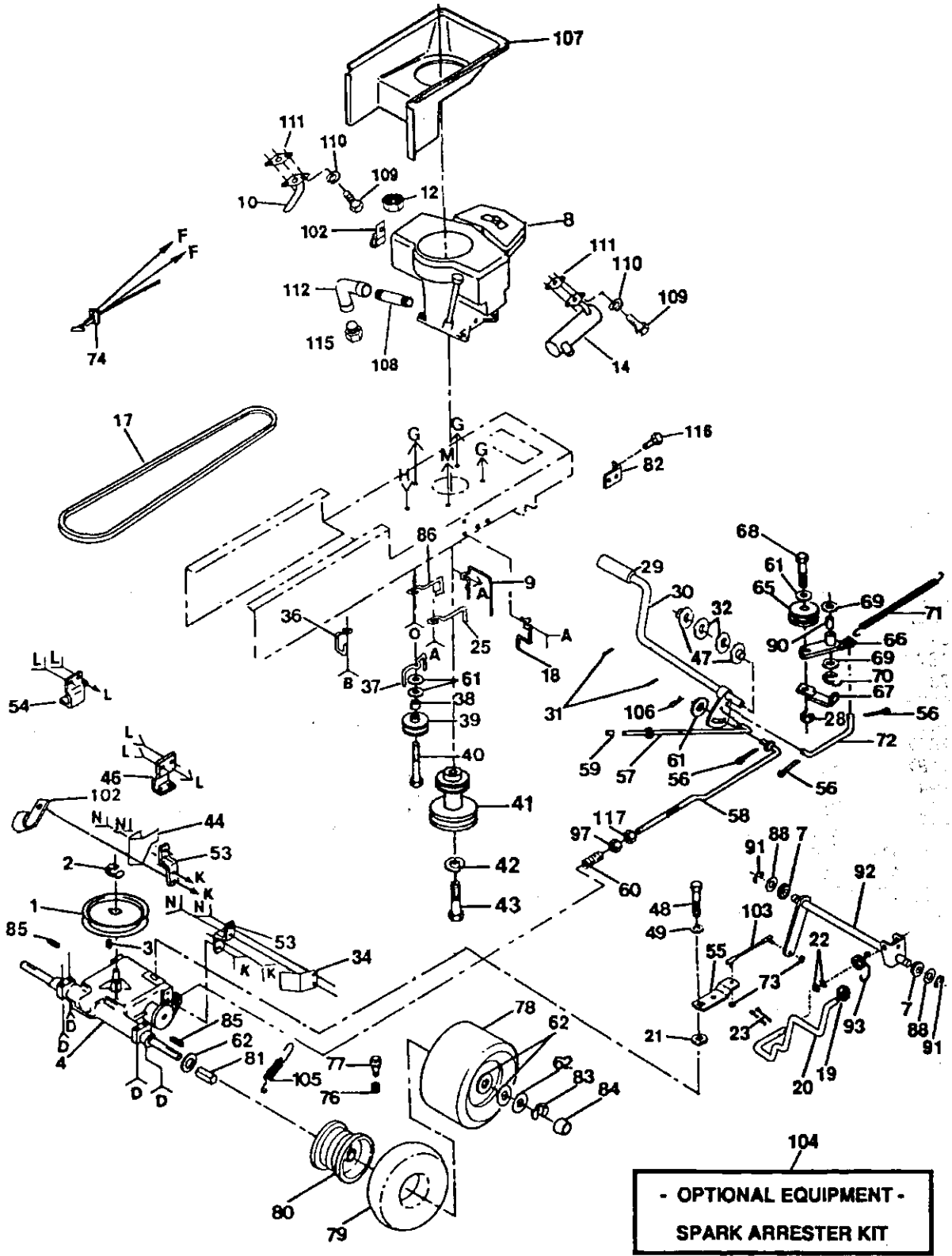
\* STANDARD HARDWARE — PURCHASE LOCALLY

NOTE: All component dimensions given in U.S. inches.  
1 inch = 25.4 mm

# REPAIR PARTS

18 HP 44" RIDING GARDEN TRACTOR - - MODEL NUMBER 917.255940

DRIVE



- |   |   |   |   |   |   |   |   |   |   |   |
|---|---|---|---|---|---|---|---|---|---|---|
| A | B | D | F | G | H | K | L | M | N | O |
|   |   |   |   |   |   |   |   |   |   |   |
|   |   |   |   |   |   |   |   |   |   |   |
|   |   |   |   |   |   |   |   |   |   |   |



# REPAIR PARTS

## 18 HP 44" RIDING GARDEN TRACTOR - - MODEL NUMBER 917.255940

DRIVE

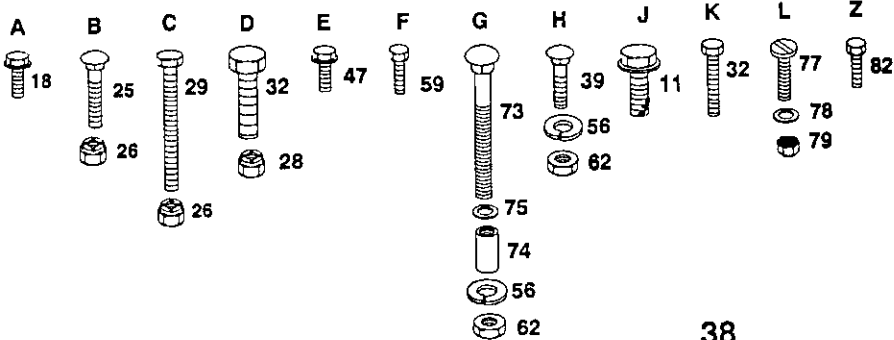
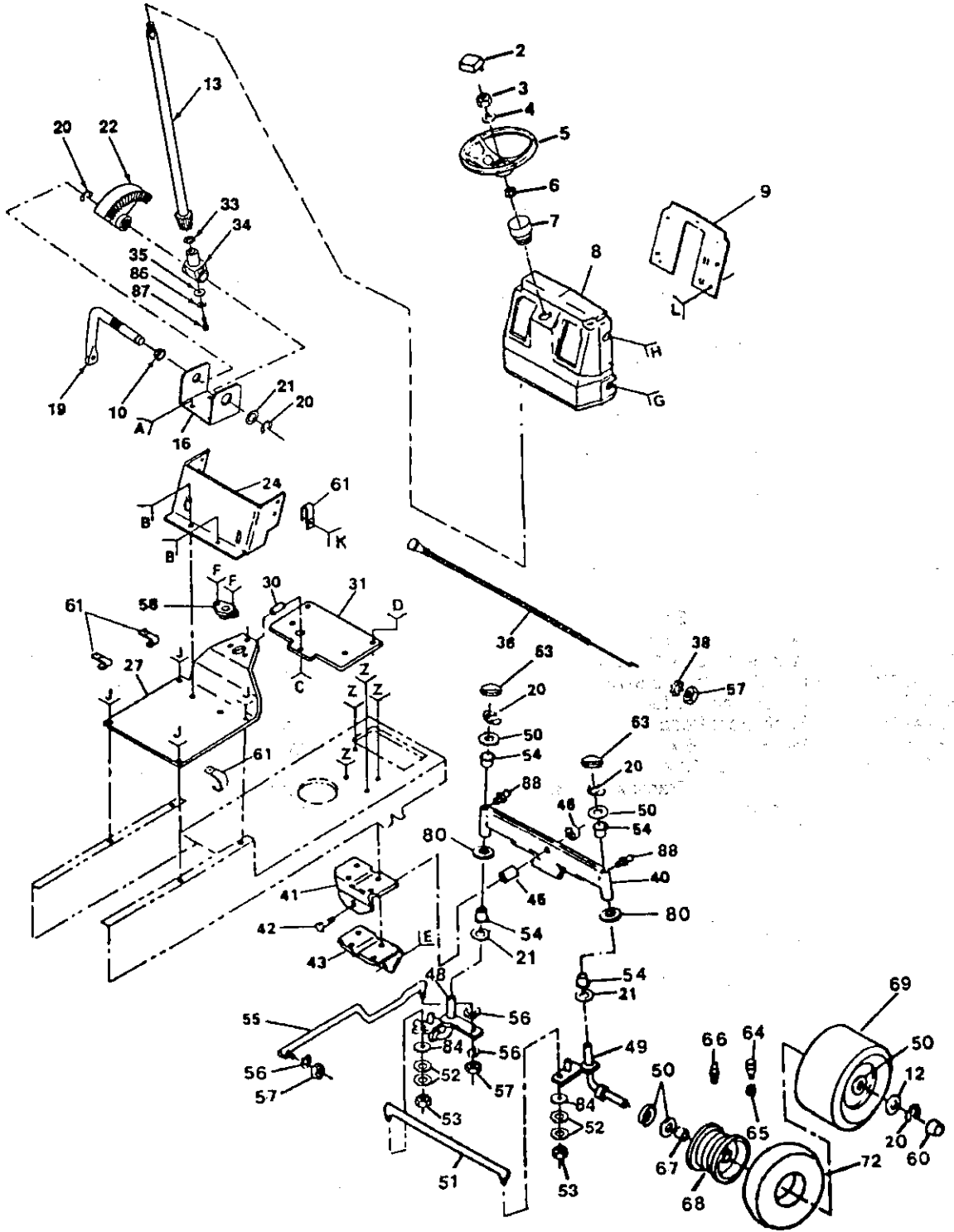
| KEY NO. | PART NO.  | DESCRIPTION  | KEY NO. | PART NO.   | DESCRIPTION                                      |
|---------|-----------|--|---------|------------|--|
| 1       | 121327X   | Pulley, Transaxle (Driven)                                     | 62      | 123800X    | Washer 1-1/32 x 1-5/8 x 16                       |
| 2       | 12000004  | Ring, Retainer   | 65      | 127783     | Pulley, Idler, V. Groove                         |
| 3       | 2228M     | Key, Woodruff #9   | 66      | 123789X    | Arm, Idler                                       |
| 4       | 123797X   | Transaxle, 6-Speed, Peerless Model No. 143.820-016             | 67      | 123205X    | Retainer, Belt                                   |
| 6       | 19111214  | Washer 11/32 x 3/4 x 14 Ga.                                    | 68      | STD523715  | * Bolt, Hex 3/8-16 X 1-1/2                       |
| 7       | 71208     | Bushing, Rod, Steering   | 69      | 110812X    | Washer, Hardened                                 |
| 8       | 110928X   | Engine, Briggs & Stratton 18 HP Model No. 422707, Type 1211-01 | 70      | 12000039   | Ring, Clip                                       |
| 9       | 121440X   | Guide, Belt Lower Engine                                       | 71      | 105709X    | Spring, Return, Clutch                           |
| 10      | 100229L   | Tube Assembly, Exhaust   | 72      | 105710X    | Link, Clutch                                     |
| 12      | STD541437 | * Nut, Keps 3/8-16   | 73      | 73530400   | Nut 1/4-28                                       |
| 14      | 108373X   | Muffler  | 74      | 132755     | Control, Throttle                                |
| 17      | 123796X   | V-Belt, Drive  | 75      | 17720410   | Screw, Hex, Thread Cutting 1/4-20 x 5/8          |
| 18      | 121441X   | Guide, Belt Lower Engine                                       | 76      | 59192      | Cap, Valve                                       |
| 19      | 106933X   | Knob   | 77      | 65139      | Stem, Valve                                      |
| 20      | 123781X   | Rod, Shifter   | 78      | 124632X    | Tire, Rear                                       |
| 21      | 105701X   | Washer, Shift Plate  | 79      | 7152J      | Tube(Optional, Service Item Only)                |
| 22      | 19171216  | Washer 17/32 x 3/4 x 16 Ga.                                    | 80      | 124074X361 | Rim  |
| 23      | STD561210 | * Pin, Cotter 1/8 x 1  | 81      | 108097X    | Spacer, Split                                    |
| 24      | 17490612  | Screw, Hex Washer Hd.Thd. Roll. 3/8-16 x 3/4                   | 82      | 108236X    | Bracket, Switch                                  |
| 25      | 105730X   | Keeper, Belt, Engine   | 83      | 12000053   | E-Ring   |
| 26      | STD523710 | * Bolt, Hex 3/8-16 x 1   | 84      | 104757X    | Cap Hub, Rear                                    |
| 27      | 19131312  | Washer 13/32 x 13/16 x 12 Ga.                                  | 85      | 9396E      | Key Square 1/4 x 2                               |
| 28      | 73680600  | * Nut, Crownlock 3/8-16  | 86      | 121218X    | Keeper, Belt, Engine                             |
| 29      | 8883R     | Cover, Foot Pedal  | 87      | 17490624   | Bolt, Hex, Washer, Thread Rolling 3/8-16 x 1-1/2 |
| 30      | 122424X   | Shaft, Foot Pedal  | 88      | 19212016   | Washer 21/32 x 1-1/4 x 16 Ga.                    |
| 31      | 1572H     | Pin, Roll 3/16 x 1   | 89      | STD523707  | * Bolt Hex 3/8-16 x 3/4                          |
| 32      | STD551062 | * Washer 21/32 x 1 x 16 Ga.                                    | 90      | 105706X    | Bearing  |
| 34      | 123792X   | Keeper, Belt, Transaxle, R.H.                                  | 91      | 12000008   | Ring, Clip                                       |
| 36      | 123788X   | Retainer, Belt   | 92      | 123772X    | Shaft Assembly, Shifter                          |
| 37      | 109070X   | Keeper, Belt   | 93      | 123782X    | Spring, Torsion                                  |
| 38      | 4470J     | Spacer   | 94      | STD551237  | * Washer, Lock, Ext. Tooth 3/8                   |
| 39      | 123674X   | Idler, Flat  | 97      | STD541437  | * Locknut 3/8-16                                 |
| 40      | STD523727 | * Bolt, Hex 3/8-16 x 2-3/4                                     | 101     | 17490512   | Screw, Hex, Washer Thd. Rolling 5/16-18 x 3/4    |
| 41      | 131003    | Pulley, Engine   | 102     | 2751R      | Clip, Fuel Line                                  |
| 42      | 10040700  | Washer, Lock   | 103     | 123793X    | Rod, Tie   |
| 43      | 71130720  | Bolt, Hex 7/16-20 x 1-1/4                                      | 104     | 674A380    | Spark Arrester Kit                               |
| 44      | 123791X   | Keeper, Belt, Transaxle, L.H.                                  | 105     | 110422X    | Spring, Brake Return                             |
| 46      | 123776X   | Bracket Transaxle, RH.   | 106     | 4497H      | Clip, Hair Pin                                   |
| 47      | 120183X   | Bearing Nylon  | 107     | 105953X    | Duct, Air Intake                                 |
| 48      | 71040412  | * Bolt, Hex 1/4-28 x 3/4                                       | 108     | 13280336   | Nipple, Pipe                                     |
| 49      | STD551025 | * Washer 9/32 x 3/4 x 16 Ga.                                   | 109     | STD522507  | * Bolt, Hex 1/4-20 x 3/4                         |
| 51      | STD541431 | * Nut, Crownlock 5/16-18                                       | 110     | STD551125  | * Washer, Lock 1/4                               |
| 52      | 74780544  | * Bolt, Hex 5/16-18 x 2-3/4                                    | 111     | 8545J      | Gasket   |
| 53      | 123787X   | Strap, Torque  | 112     | 13200300   | Elbow, Pipe STD 90°                              |
| 54      | 123780X   | Bracket, Transaxle, L.H.                                       | 113     | 74760516   | Bolt, Hex 5/16-18 UNC x 1                        |
| 55      | 123794X   | Shift Arm  | 114     | 19111212   | * Washer 11/32 x 3/4 x 12 Ga.                    |
| 56      | STD561210 | * Pin, Cotter 1/8 x 3/4  | 115     | -----      | Plug, Oil (Order from Mfg.)                      |
| 57      | 133261    | Rod, Brake, Park   | 116     | STD601005  | * Screw, Tap Hex Hd. #10-24 x 1/2                |
| 58      | 123786X   | Rod, Brake   | 117     | 73350600   | Nut, Hex Jam 3/8-16 UNC                          |
| 59      | 124236X   | Cap, Plunger   |         |            |  |
| 60      | 126909X   | Spring, Rod, Brake   |         |            |  |
| 61      | STD551037 | * Washer 13/32 x 13/16 x 16 Ga.                                |         |            |  |

\* STANDARD HARDWARE — PURCHASE LOCALLY  
**NOTE:** All component dimensions given in U. S. inches.  
 1 inch = 25.4 mm

# REPAIR PARTS

## 18 HP 44" RIDING GARDEN TRACTOR - - MODEL NUMBER 917.255940

### STEERING



# REPAIR PARTS

## 18 HP 44" RIDING GARDEN TRACTOR - - MODEL NUMBER 917.255940

### STEERING

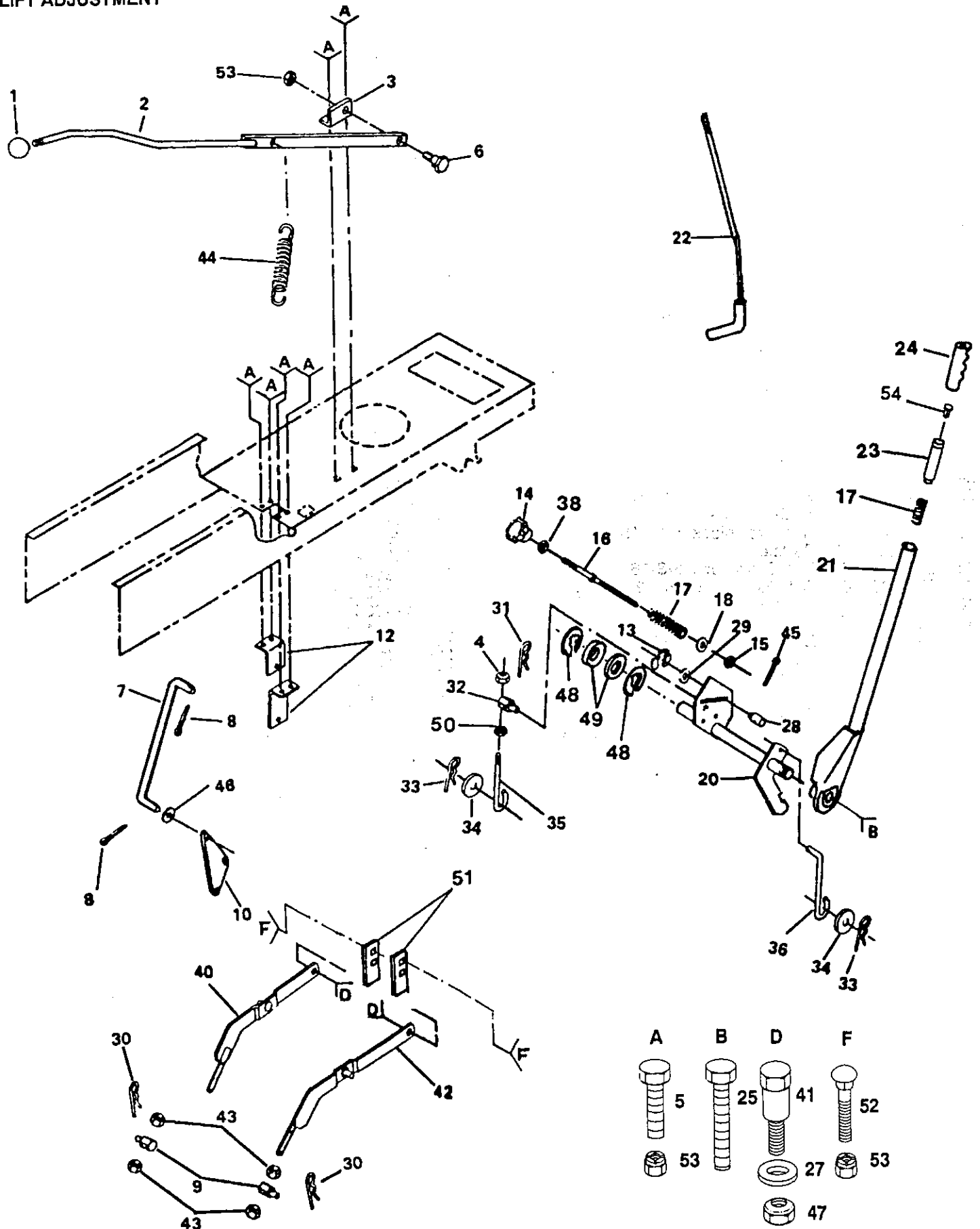
| KEY NO. | PART NO.   | DESCRIPTION                                 | KEY NO. | PART NO.   | DESCRIPTION                                  |
|---------|------------|---|---------|------------|--|
| 2       | 100710L    | Insert, Steering Wheel                      | 46      | 73601000   | Locknut, Hex W/washer 5/8-11                 |
| 3       | 73940800   | * Locknut, Top 1/2-20 UNF                   | 47      | 17490508   | Screw, Hex Washer Thd. Rolling 5/16-18 x 1/2 |
| 4       | 100712K    | Washer                                      | 48      | 105656X    | Spindle, L.H.                                |
| 5       | 100713N    | Wheel, Steering                             | 49      | 130524     | Spindle, R.H.                                |
| 6       | 100711L    | * Adapter-Steering Wheel                    | 50      | 121749X    | Washer 25/32 x 1-1/4 x 16 Ga.                |
| 7       | 106015X    | Sleeve-Steering                             | 51      | 121321X    | Rod, Tie                                     |
| 8       | 120028X    | Dash  | 52      | STD551131  | * Washer, Lock 5/16                          |
| 9       | 129621X011 | Plate, Dash                                 | 53      | STD541131  | * Nut, Hex 5/16-24                           |
| 10      | 109816X    | Nyliner, Snap-In                            | 54      | 3366R      | Bearing                                      |
| 11      | 17490608   | Screw, Hex Washer Thd. Rolling 3/8-16-1/2   | 55      | 130468     | Link, Drag                                   |
| 12      | 121748X    | Washer 25/32 x 1-5/8 x 16 Ga.               | 56      | STD551137  | * Washer, Lock 3/8                           |
| 13      | 128755     | Shaft, Steering                             | 57      | STD541137  | * Nut, Hex 3/8-24                            |
| 16      | 124036X    | Bracket, Steering                           | 58      | 1554J      | Bushing, Steering                            |
| 18      | 17490612   | Screw, Hex Washer Thd. Rolling 3/8-16 x 3/4 | 59      | 17431008   | Screw, Hex #10-16 x 1/2                      |
| 19      | 127501     | Shaft, Pitman                               | 60      | 104757X    | Cap, Hub, Front                              |
| 20      | 12000029   | Ring, Klip                                  | 61      | 2751R      | Clip, Fuel Line                              |
| 21      | 6266H      | Bearing, Thrust                             | 62      | STD541037  | * Nut, Hex 3/8-16                            |
| 22      | 124034X    | Gear, Sector                                | 63      | 121232X    | Spindle, Cap                                 |
| 24      | 105518X    | Dash, Lower                                 | 64      | 59192      | Cap, Valve                                   |
| 25      | 74180512   | Screw, Crown Truss Hd. 5/16-18 x 3/4        | 65      | 65139      | Stem, Valve                                  |
| 26      | STD541431  | * Nut, Crownlock 5/16-18                    | 66      | 278H       | Fitting, Grease                              |
| 27      | 123783X012 | Saddle                                      | 67      | 9040H      | Bearing                                      |
| 28      | STD541437  | * Nut, Crownlock 3/8-16                     | 68      | 106732X361 | Rim, Front                                   |
| 29      | STD523120  | * Bolt, Hex 5/16-18 x 2                     | 69      | 106222X    | Tire, Front                                  |
| 30      | 121236X    | Spacer                                      | 72      | 59904      | Tube (Optional, Service Item Only)           |
| 31      | 128231     | Support Plate, Battery                      | 73      | 72110622   | Bolt, Carriage Hex 3/8-16 x 2-3/4            |
| 32      | STD523707  | * Bolt, Hex 3/8-16 x 3/4                    | 74      | 121235X    | Spacer                                       |
| 33      | 57079      | Washer                                      | 75      | 19131416   | Washer 13/32 x 7/8 x 16 Ga.                  |
| 34      | 124035X    | Shaft, Support                              | 77      | STD512507  | * Screw, Pan Head 1/4-20 x 3/4               |
| 35      | 126684X    | Washer 5/8 x 1/4 x 16 Ga.                   | 78      | 19091216   | Washer 13/32 x 3/4 x 16 Ga.                  |
| 36      | 132779     | Control, Choke                              | 79      | 73510400   | Nut, Keps 1/4 NC                             |
| 38      | STD551237  | * Washer, Lock, Int./Ext. Tooth 3/8         | 80      | 19272016   | Washer 27/32 x 1-1/4 x 16 Ga                 |
| 39      | 72110608   | Bolt, Carriage                              | 82      | 122819X    | Screw, Special 3/8-16 x 3/4                  |
| 40      | 108075X    | Axle, Front                                 | 84      | 19111216   | Washer 11/32 x 3/4 x 16 Ga.                  |
| 41      | 105663X    | Support, Saddle, Rear                       | 86      | STD551125  | * Washer, Lock 1/4                           |
| 42      | 74761060   | Bolt, Hex 5/8-11 x 3-3/4                    | 87      | 71070410   | Screw, Socket Hex 1/4 x 20 x 5/8             |
| 43      | 105664X    | Support, Saddle, Front                      | 88      | 6855M      | Fitting, Grease                              |
| 45      | 110438X    | Spacer Bearing, Front Axle                  |         |            |  |

\* STANDARD HARDWARE — PURCHASE LOCALLY  
 NOTE: All component dimensions given in U.S. inches.  
 1 inch = 25.4 mm

# REPAIR PARTS

18 HP 44" RIDING GARDEN TRACTOR -- MODEL NUMBER 917.255940

## LIFT ADJUSTMENT



# REPAIR PARTS

## 18 HP 44" RIDING GARDEN TRACTOR -- MODEL NUMBER 917.255940

### LIFT ADJUSTMENT

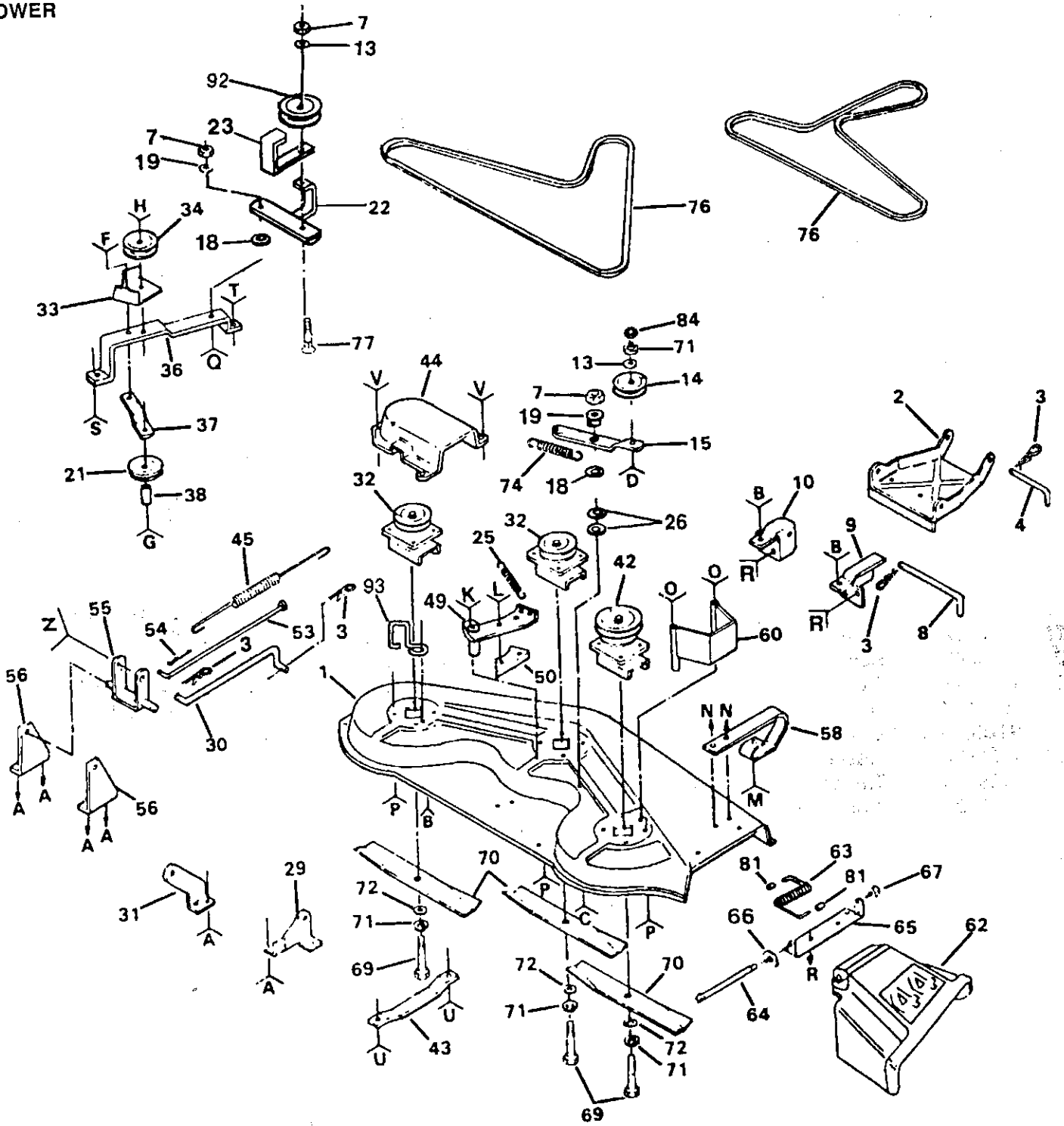
| KEY NO. | PART NO.  | DESCRIPTION                    | KEY NO. | PART NO.  | DESCRIPTION                   |
|---------|-----------|--------------------------------|---------|-----------|-------------------------------|
| 1       | 106933X   | Knob                           | 30      | 9135R     | Clip, Retainer                |
| 2       | 110924X   | Lever, Mower Clutch            | 31      | 4939M     | Spring, Retainer              |
| 3       | 106498X   | Bracket, Pivot                 | 32      | 110447X   | Trunnion, Lift                |
| 4       | 73710700  | Nut, Crownlock Jam 7/16-20 UNF | 33      | 4921H     | Retainer Spring               |
| 5       | STD523707 | * Bolt, Hex 3/8-16 x 3/4       | 34      | 19171516  | Washer 17/32 x 15/16 x 16 Ga. |
| 6       | 106451X   | Bolt, Shoulder                 | 35      | 110448X   | Link, Lift Adjust             |
| 7       | 108387X   | Rod, Clutch, Primary           | 36      | 110029X   | Link, Lift                    |
| 8       | 76020412  | Pin, Cotter 1/8 x 3/4          | 38      | STD541237 | * Nut, Hex Jam 3/8-16         |
| 9       | 106308X   | Trunnion, Lift Lower           | 40      | 121599X   | Arm, Suspension, L.H.         |
| 10      | 109728X   | Bellcrank                      | 41      | 105848X   | Bolt, Shoulder 3/8-16         |
| 12      | 106444X   | Bracket, Bellcrank             | 42      | 121598X   | Arm, Suspension, R.H.         |
| 13      | 12000037  | Ring, Klip                     | 43      | STD541050 | * Nut, Hex Fin. 1/2-13        |
| 14      | 100734K   | Knob, Height Adjustment        | 44      | 58606     | Spring                        |
| 15      | 110807X   | Nut, Special                   | 45      | 76020308  | Pin, Cotter 3/32 x 1/2        |
| 16      | 110729X   | Rod, Adjust, Lift              | 46      | 19131410  | Washer 13/32 x 7/8 x 10 Ga.   |
| 17      | 2876H     | Spring                         | 47      | 73980600  | Locknut 3/8-16                |
| 18      | 19131016  | Washer 13/32 x 5/8 x 16 Ga     | 48      | 12000022  | E-Ring                        |
| 20      | 121000X   | Shaft, Lift                    | 49      | 19292016  | Washer 29/32 x 1-1/4 x 16 Ga  |
| 21      | 121002X   | Lever, Lift (Incl. Key No. 22) | 50      | 73360700  | Nut 7/16-20 UNF               |
| 22      | 121006X   | Rod, Lever                     | 51      | 121252X   | Upstop, Mower                 |
| 23      | 122364X   | Plunger, Lever                 | 52      | 72140608  | Bolt, Carriage 3/8-16 x 1     |
| 24      | 109413X   | Grip, Handle                   | 53      | 73680600  | Nut, Crownlock 3/8-16         |
| 25      | STD523715 | * Bolt 3/8-16 x 1-1/2          | 54      | 122365X   | Button, Plunger               |
| 27      | 110739X   | Washer, Spring 3/8             |         |           |                               |
| 28      | 110810X   | Trunnion, Stop Depth           |         |           |                               |
| 29      | 19151216  | Washer 15/32 x 3/4 x 16 Ga.    |         |           |                               |

\* STANDARD HARDWARE — PURCHASE LOCALLY  
NOTE: All component dimensions given in U.S. inches.  
1 inch = 25.4 mm

# REPAIR PARTS

18 HP 44" RIDING GARDEN TRACTOR - - MODEL NUMBER 917.255940

MOWER



- | A  | B  | C  | D  | F  | G  | H  | K  | L  | M  | N  | O  | P  | Q  | R  | S  | T  | U  | V  | Z  |
|----|----|----|----|----|----|----|----|----|----|----|----|----|----|----|----|----|----|----|----|
| 68 | 11 | 17 | 16 | 41 | 40 | 77 | 46 | 52 | 11 | 11 | 61 | 73 | 75 | 11 | 82 | 41 | 20 | 24 | 89 |
| 7  | 26 | 12 | 7  | 7  | 40 | 77 | 13 | 51 | 51 | 27 | 26 | 26 | 26 | 12 | 82 | 13 | 12 | 51 | 90 |
|    |    |    |    |    | 94 | 7  | 95 | 13 | 47 | 86 | 26 | 26 | 12 |    |    | 7  | 12 | 12 | 91 |

# REPAIR PARTS

## 18 HP 44" RIDING GARDEN TRACTOR - - MODEL NUMBER 917.255940

### MOWER

| KEY NO. | PART NO.  | DESCRIPTION                   | KEY NO. | PART NO.  | DESCRIPTION                                  |
|---------|-----------|-------------------------------|---------|-----------|--|
| 1       | 121423X   | Housing, Mower                | 51      | STD551031 | *Washer 11/32 x 11/16 x 16 Ga.               |
| 2       | 129762    | Stop Assembly, Link, Parallel | 52      | STD523112 | *Bolt, Hex 5/16-18 x 1-1/4                   |
| 3       | 4921H     | Retainer, Spring              | 53      | 108394X   | Rod, Brake                                   |
| 4       | 105744X   | Pin, Front Hinge              | 54      | STD560907 | *Pin, Cotter 3/32 x 3/4                      |
| 7       | 73680600  | Nut, Crownlock 3/8 -16        | 55      | 110384X   | Shaft, Rock                                  |
| 8       | 109835X   | Pin, Rear Hinge               | 56      | 108393X   | Support, Shaft Rock                          |
| 9       | 106512X   | Bracket, Lift R. H.           | 58      | 8418J     | Runner, R.H.                                 |
| 10      | 106511X   | Bracket, Lift L. H.           | 60      | 102924X   | Guard, Belt-R.H.                             |
| 11      | STD533107 | *Bolt, Carriage 5/16-18 x 3/4 | 61      | 74760580  | Bolt, Hex 5/16-18 x 5                        |
| 12      | 73680500  | Nut, Crownlock 5/16-18        | 62      | 109785X   | Shield, Deflector                            |
| 13      | 19131614  | Washer 13/32 x 1 x 14 Ga.     | 63      | 106734X   | Spring                                       |
| 14      | 102932X   | Idler, Flat                   | 64      | 106735X   | Rod, Hinge                                   |
| 15      | 106526X   | Arm, Idler Deck               | 65      | 109743X   | Bracket, Deflector                           |
| 16      | 74110632  | Screw, Flat Hd. 3/8-16 x 2    | 66      | 19111016  | Washer 11/32 x 5/8 x 16 Ga.                  |
| 17      | STD523712 | *Bolt, Hex 3/8-16 x 1-1/4     | 67      | 110452X   | Nut, Push                                    |
| 18      | 106513X   | Washer, Wear                  | 68      | STD533707 | *Bolt, Carriage 3/8-16 x 3/4                 |
| 19      | 106902X   | Spacer                        | 69      | STD623715 | *Bolt, Hex 3/8-24 x 1-1/2 Gr. 5              |
| 20      | 72110505  | Bolt, Carriage 5/16-18 x 5/8  | 70      | 106635X   | Blade  |
| 21      | 102403X   | Pulley, Idler                 | 71      | STD551137 | *Washer, Lock 3/8                            |
| 22      | 121424X   | Arm, Idler                    | 72      | 19132012  | Washer 13/32 x 1-1/4 x 12 Ga.                |
| 23      | 121426X   | Guide, Belt                   | 73      | 17490612  | Screw, Hex Washer Thd. Rolling 3/8- 16 x 3/4 |
| 24      | 72110506  | Bolt, Carriage 5/16-18 x 3/4  | 74      | 7644J     | Spring, Extension                            |
| 25      | 106530X   | Spring                        | 75      | 72140612  | Bolt, Carriage 3/8-16 x 1-1/2                |
| 26      | 19111216  | Washer 11/32 x 3/4 x 16 Ga.   | 76      | 106085X   | V-Belt                                       |
| 27      | 1685H     | Locknut 5/16-18               | 77      | 72140616  | Bolt, Carriage 3/8-16 x 2                    |
| 29      | 123807X   | Bracket, Suspension Rear R.H. | 81      | 105304X   | Cap, Sleeve                                  |
| 30      | 108235X   | Rod, Clutch                   | 82      | STD523710 | *Bolt, Hex 3/8-16 x 1                        |
| 31      | 123808X   | Bracket, Suspension Rear L.H. | 84      | STD541037 | *Nut, Hex 3/8-16                             |
| 32      | 121658X   | Mandrel, Secondary            | 85      | STD541031 | *Nut, Hex 5/16- 18                           |
| 33      | 106529X   | Guide, Belt                   | 86      | STD551131 | *Washer, Lock 5/16                           |
| 34      | 677A451   | Pulley, Idler                 | 89      | 74760412  | Bolt, Hex 1/4-20 x 3/4                       |
| 36      | 106523X   | Bar, Support Idler            | 90      | 19091616  | Washer 9/32 x 1 x 16 Ga.                     |
| 37      | 106522X   | Brace, Idler Deck             | 91      | 73680400  | Nut, Crownlock 1/4-20                        |
| 38      | 121236X   | Spacer                        | 92      | 121316X   | Pully, Idler                                 |
| 40      | STD523730 | *Bolt, Hex 3/8-16 x 3         | 93      | 121352X   | Keeper, Belt                                 |
| 41      | STD533710 | *Bolt, Carriage 3/8-16 x 1    | 94      | 19131316  | Washer 13/32 x 13/16 x 16 Ga.                |
| 42      | 121705X   | Mandrel, Primary              | 95      | 19131410  | Washer 13/32 x 7/8 x 10 Ga.                  |
| 43      | 7631J     | Runner, L.H.                  | —       | 121825X   | Replacement Mower Deck                       |
| 44      | 106214X   | Guard                         |         |           |  |
| 45      | 121427X   | Spring, Extension             |         |           |  |
| 46      | 121827X   | Bolt, Shoulder                |         |           |  |
| 47      | 73930600  | Nut, Centerlock 3/8-16        |         |           |  |
| 49      | 106606X   | Arm, Brake                    |         |           |  |
| 50      | 102951X   | Brake, Block                  |         |           |  |

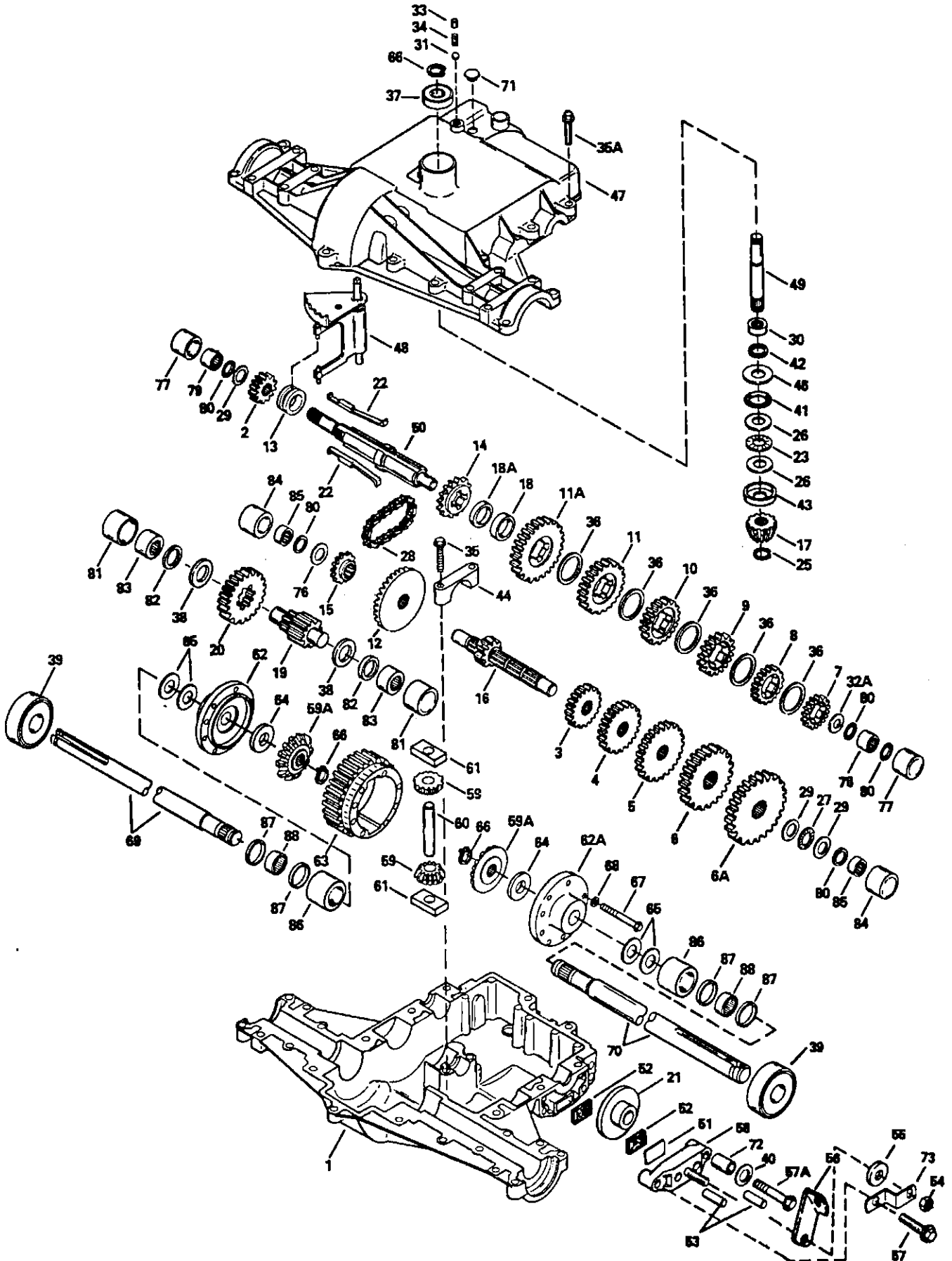
\*STANDARD HARDWARE — PURCHASE LOCALLY

NOTE: All component dimensions given in U.S. inches.  
1 inch = 25.4 mm

# REPAIR PARTS

18 HP 44" RIDING GARDEN TRACTOR -- MODEL NUMBER 917.255940

## TRANSAXLE





# REPAIR PARTS

## 18 HP 44" RIDING GARDEN TRACTOR - - MODEL NUMBER 917.255940

### TRANSAXLE

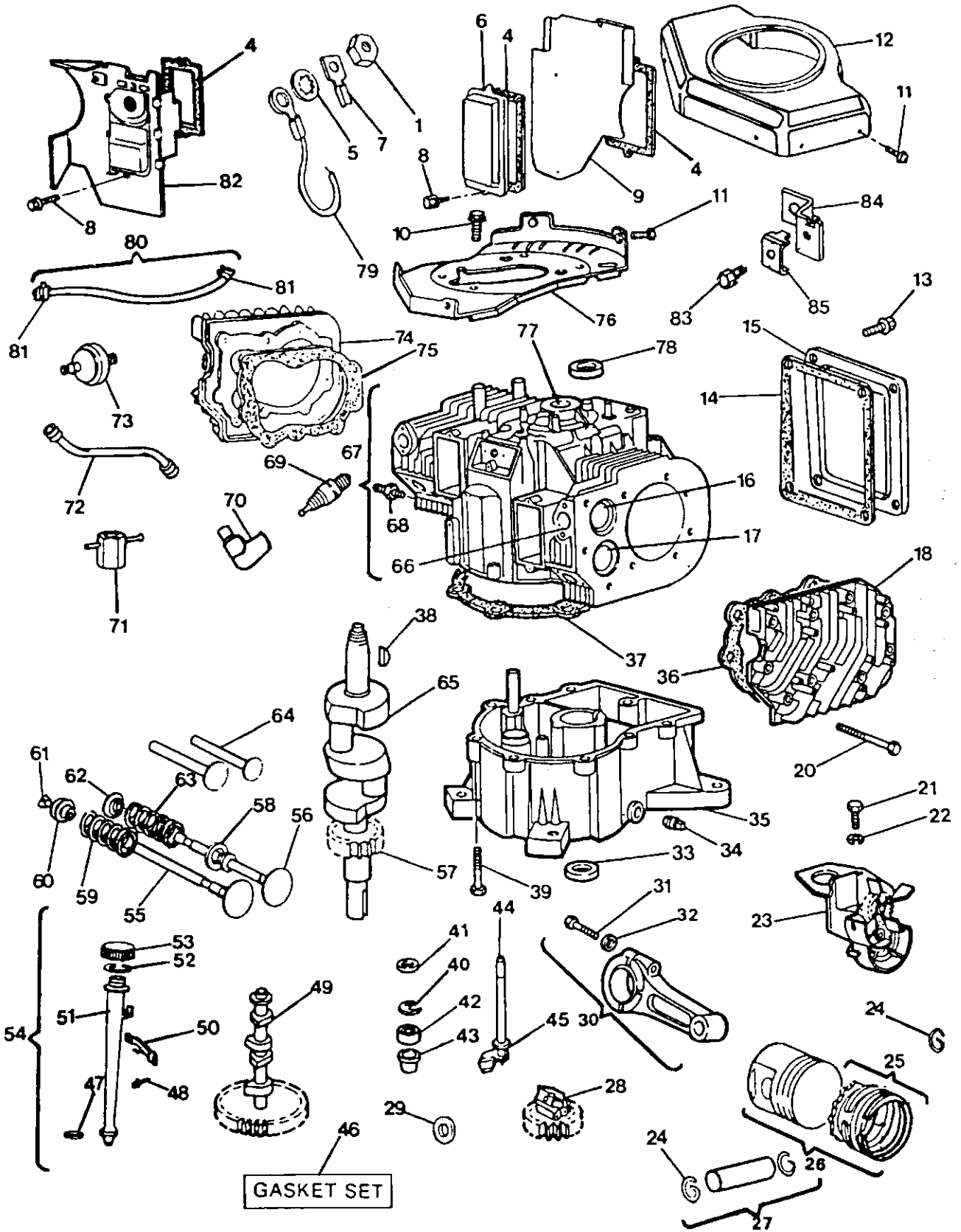
| REF PART NO. NO. | DESCRIPTION  | REF PART NO. NO. | DESCRIPTION  |
|------------------|--|------------------|--|
| 1 770088         | Case, Transaxle  | 47 772098        | Cover, Transaxle                                       |
| 2 778253         | Gear, Spur 15 Teeth                                    | 48 784342        | Rod and Fork Assembly, Shift                           |
| 3 778211         | Gear, Spur 12 Teeth                                    | 49 776274        | Shaft, Input   |
| 4 778240         | Gear, Spur 18 Teeth                                    | 50 776313        | Shaft, Brake, 4 Keyed                                  |
| 5 778201         | Gear, Spur 25 Teeth                                    | 51 790007        | Plate, Brake Pad                                       |
| 6 778202         | Gear, Spur 28 Teeth                                    | 52 790006        | Pad, Brake   |
| 6A 778208        | Gear, Spur 31 Teeth                                    | 53 786026        | Pin, Dowel   |
| 7 778209         | Gear, Spur 19 Teeth                                    | 54 792075        | Locknut 5/16-24  |
| 8 778203A        | Gear, Spur 22 Teeth                                    | 55 792076        | Washer, Flat   |
| 9 778204A        | Gear, Spur 25 Teeth                                    | 56 790047        | Lever, Brake   |
| 10 778239A       | Gear, Spur 32 Teeth                                    | 57 792073        | Screw, Flanged Hex Head, Thread Forming 1/4-20 x 1-1/4 |
| 11 778207A       | Gear, Spur 37 Teeth                                    | 57A 792085       | Screw, Flanged Hex Head, Thread Forming 1/4-20 x 2-1/4 |
| 11A 778216A      | Gear, Spur 41 Teeth                                    | 58 790025        | Holder, Brake Pad                                      |
| 12 778246        | Gear, Bevel 33 Teeth                                   | 59 778197        | Pinion, Differential Bevel                             |
| 13 784216        | Collar, Shift  | 59A 778198       | Gear, Bevel  |
| 14 786123        | Sprocket 18 Teeth                                      | 60 786019        | Pin, Drive   |
| 15 786082        | Sprocket 9 Teeth                                       | 61 786027        | Block, Drive   |
| 16 776291        | Shaft, Counter (with 9 Tooth Gear)                     | 62 774833        | Carrier, Differential, Threaded Holes                  |
| 17 778245        | Bevel Pinion, Input 13 Teeth                           | 62A 774834       | Carrier, Differential                                  |
| 18 786121        | Spacer, Neutral .350/.340 Thick                        | 63 778248        | Gear, Ring 31 Teeth                                    |
| 18A 786122       | Spacer, Neutral .276/.268 Thick                        | 64 780107        | Washer   |
| 19 776275        | Shaft, Output 9 Teeth                                  | 65 780042        | Washer, Thrust   |
| 20 778247        | Gear, Output 35 Teeth                                  | 66 792018        | Ring, Snap   |
| 21 790043        | Disk, Brake  | 67 792020        | Screw, Hex Head 1/4-20 x 2-1/4                         |
| 22 792138        | Key  | 68 792006        | Washer, Lock 1/4                                       |
| 23 780084        | Bearing, Thrust  | 69 774832        | Axle 12-5/16"  |
| 25 788040        | Ring, Retaining  | 70 774831        | Axle 16-3/16"  |
| 26 780051        | Washer, Thrust   | 71 792074        | Plug, Hex Head 9/16-18 Thread                          |
| 27 780071        | Bearing, Thrust  | 72 786067        | Spacer   |
| 28 786081        | Chain, Roller<br>(Number 41 Chain, 24 Links)           | 73 786086        | Bracket, Brake Lever                                   |
| 29 780072        | Washer, Thrust   | 76 780153        | Washer   |
| 30 780155        | Bearing, Needle  | 77 786144        | Sleeve, Stepped  |
| 31 792077        | Ball, Steel  | 78 780150        | Bearing, Needle  |
| 32A 780139       | Washer, Thrust   | 79 780152        | Bearing, Needle, Capped                                |
| 33 792078        | Screw, Set 3/8-16 x 3/8                                | 80 792001        | "O" Ring   |
| 34 792079        | Spring   | 81 786142        | Sleeve, Stepped  |
| 35 792073        | Screw, Flanged Hex Head, Thread Forming 1/4-20 x 1-1/4 | 82 788071        | Ring, Square Cut                                       |
| 35A 792129       | Screw, Hex Head, Thread Forming 5/16-18 x 1-1/4        | 83 780049        | Bearing, Needle, Capped                                |
| 36 780108        | Washer, Thrust   | 84 786143        | Sleeve, Stepped  |
| 37 780119        | Bearing, Ball  | 85 780151        | Bearing, Needle, Capped                                |
| 38 780128        | Washer, Thrust   | 86 786145        | Sleeve, Stepped  |
| 39 780050        | Bearing, Ball  | 87 788070        | Ring, Square Cut                                       |
| 40 792128        | Washer, Flat   | 88 780031        | Bearing, Needle  |
| 41 788077        | "O" Ring   |                  |  |
| 42 788042        | Seal, Oil  |                  |  |
| 43 780166        | Washer, Cupped   |                  |  |
| 44 786131        | Cap, Bearing   |                  |  |
| 45 780165        | Washer, Flat   |                  |  |

**NOTE:** All component dimensions given in U.S. inches  
1 inch = 25.4 mm

# REPAIR PARTS

18 HP 44" RIDING GARDEN TRACTOR - - MODEL NUMBER 917.255940

ENGINE BRIGGS & STRATTON - MODEL NUMBER 422707, TYPE NUMBER 1211-01



# REPAIR PARTS

## 18 HP 44" RIDING GARDEN TRACTOR - - MODEL NUMBER 917.255940

ENGINE BRIGGS & STRATTON - MODEL NUMBER 422707, TYPE NUMBER 1211-01

| KEY PART NO. NO. | DESCRIPTION  | KEY PART NO. NO. | DESCRIPTION  |
|------------------|--|------------------|--|
| 1                | 90576 Nut, Hex #8-32   | 41               | 491287 Foam Seal, Governor Shaft   |
| 2                | 280180 Grommet, Insulator                                      | 42               | 261560 Upper Bushing, Governor   |
| 3                | 231174 Terminal  | 43               | 262332 Lower Bushing, Governor   |
| 4                | 27803 *Gasket, Valve Cover                                     | 44               | 491530 Crank, Governor   |
| 5                | 92791 Washer, Lock, Shakeproof                                 | 45               | 223882 Washer, Governor Crank, Inside                                    |
| 6                | 222892 Cover, Breather, Cylinder #2                            | 46               | 394501 Gasket Set  |
| 7                | 93722 Terminal, Spade  | 47               | 271157 Seal, Filler Tube   |
| 8                | 93394 Screw, Sems  | 48               | 93469 Screw, Hex Head  |
| 9                | 222912 Baffle, Air   | 49               | 212337 Gear, Cam   |
| 10               | 93777 Screw, Hex Head (Back Plate to Cylinder)                 | 50               | 222875 Clamp, Oil Filler   |
| 11               | 93158 Screw, Sems  | 51               | 280224 Tube, Oil Filler  |
| 12               | 491247 Housing, Blower   | 52               | 271170 Seal, Oil Filler Cap  |
| 13               | 90887 Screw, Sems, Crankcase Cover Mounting                    | 53               | 394020 Cap and Dipstick, Oil Filler                                      |
| 14               | 270981 *Gasket - Crankcase                                     | 54               | 394394 Dipstick and Tube Assembly (Incl. Key #47, 48, 50, 51, 52 and 53) |
| 15               | 212455 Cover Plate - Crankcase                                 | 55               | 390420 Valve, Exhaust  |
| 16               | 261463 **Seat, Intake Valve                                    | 56               | 261528 Valve, Intake   |
| 17               | 210940 **Seat, Exhaust Valve                                   | 57               | 231445 Gear, Timing  |
| 18               | 212462 Head, Cylinder #2                                       | 58               | 393606 Seal Assembly and Retainer  |
| 20               | 93211 Screw, Cylinder Head 2-5/16"                             | 59               | 26828 Spring, Exhaust Valve  |
| 21               | 93686 Screw, Hex Head #10-32 x 5/8"                            | 60               | 292260 Rotocoil, Exhaust Valve   |
| 22               | 92290 Washer, Lock #10 x 1/16 x 3/64"                          | 61               | 93630 Retainer, Exhaust Valve Rotocoil                                   |
| 23               | 393415 Oil Slinger Assembly                                    | 62               | 221596 Retainer, Intake Valve  |
| 24               | 260924 Lock, Piston Pin  | 63               | 65906 Spring, Intake Valve   |
| 25               | 394959 Ring Set, Piston, Standard                              | 64               | 261368 Tappet, Valve   |
|                  | 394960 Ring Set, Piston .010" Oversize                         | 65               | 394028 Crankshaft  |
|                  | 394961 Ring Set, Piston .020" Oversize                         | 66               | 261961 **Guide, Exhaust Valve  |
|                  | 394962 Ring Set, Piston .030" Oversize                         | 67               | 491730 Cylinder Assembly (Incl. Key #68)                                 |
| 26               | 394955 Piston Assembly, Standard                               | 68               | 230318 Connector, Impulse Pump   |
|                  | (Includes Key Numbers 24 and 25)                               | 69               | 394539 Plug, Spark, Resistor   |
|                  | 394956 Piston Assembly .010" Oversize                          | 70               | 66538 Elbow, Spark Plug  |
|                  | 394957 Piston Assembly .020" Oversize                          | 71               | 89838 Wrench, Spark Plug   |
|                  | 394958 Piston Assembly .030" Oversize                          | 72               | 280225 Tube, Breather  |
| 27               | 299691 Pin Assembly, Piston, Standard                          | 73               | 394358 Filter, Fuel (In Fuel Line to Tank)                               |
|                  | (Includes Key Number 24)                                       | 74               | 212461 Head, Cylinder #1   |
|                  | 391286 Pin Assembly, Piston .005" Over                         | 75               | 271867 Gasket, Cylinder  |
| 28               | 394348 Gear, Governor  | 76               | 491304 Back Plate Assembly   |
| 29               | 222773 Washer, Thrust  | 77               | 399265 ***Bearing, Cylinder  |
| 30               | 394306 Rod Assembly, Connecting                                | 78               | 391086 Seal, Oil   |
|                  | (Includes Key Numbers 31 & 32)                                 | 79               | 391115 Wire, Ground  |
|                  | 397158 Rod Assembly, Connecting, .020" Undersize Crankpin Bore | 80               | 299146 Line, Fuel (Includes Key #81)                                     |
| 31               | 92909 Screw, Connecting Rod                                    | 81               | 93053 Clamp, Fuel Line   |
| 32               | 220863 Washer  | 82               | 393370 Breather Assembly Number 1  |
| 33               | 291675 Seal, Oil   | 83               | 93496 Screw, Hex Head  |
| 34               | 91084 Plug, Oil Drain  | 84               | 223890 Bracket, Choke Cable  |
| 35               | 393552 Base Assembly, Crankcase                                | 85               | 221535 Clamp, Casing   |
| 36               | 271868 *Gasket, Cylinder Head #2                               |                  |  |
| 37               | 271142 *Gasket, Crankcase Cover 1/64"                          |                  |  |
|                  | 271188 *Gasket, Crankcase Cover .005"                          |                  |  |
|                  | 271189 *Gasket, Crankcase Cover .009"                          |                  |  |
| 38               | 222698 Key, Flywheel   |                  |  |
| 39               | 93585 Screw, Sems, Hex Head                                    |                  |  |
| 40               | 94296 Retainer, E-Ring   |                  |  |

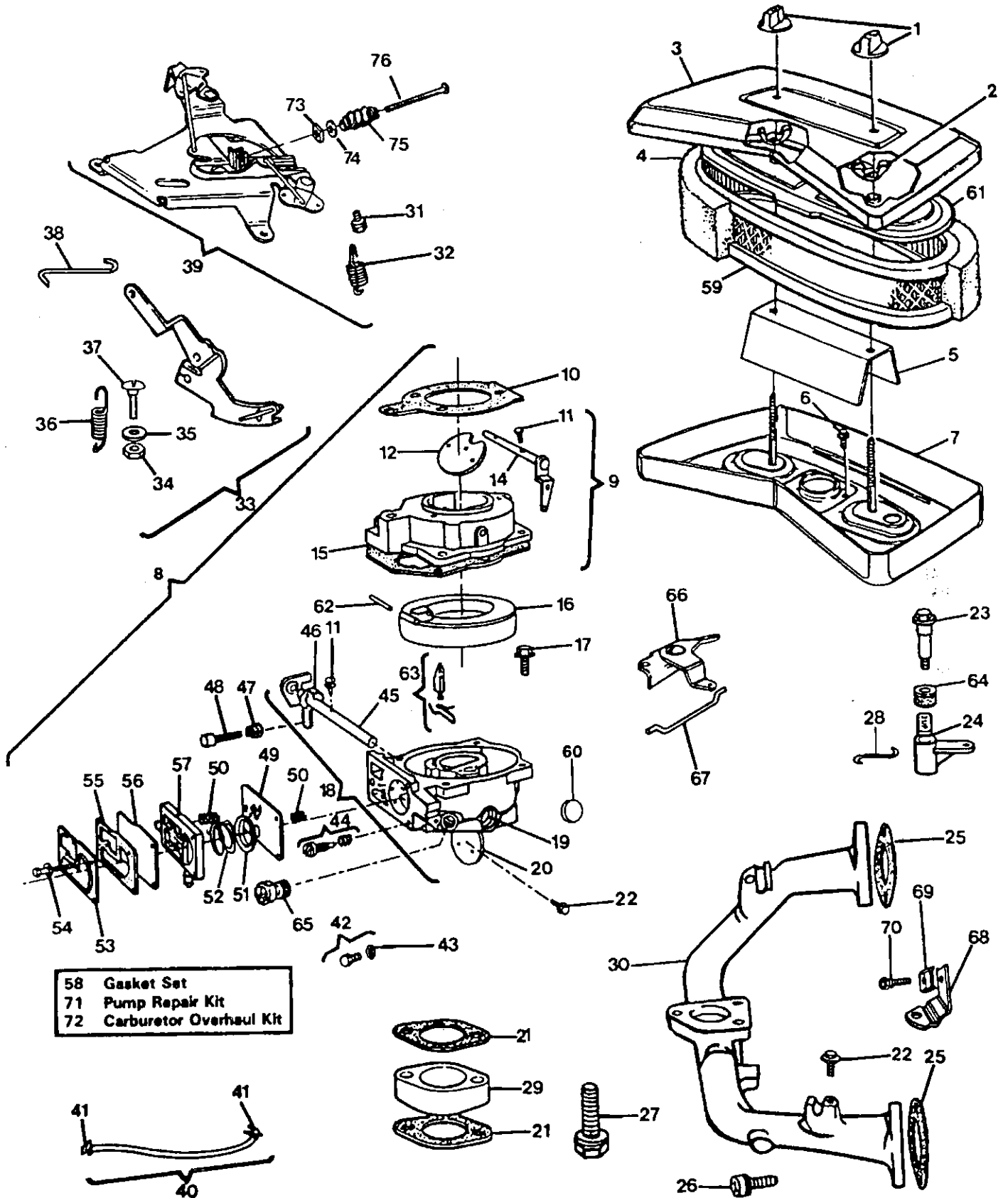
\* Included in Gasket Set (394501)  
 \*\* Included in Carburetor Overhaul Kit (491539)  
 \*\*\* Included in both Gasket Set (394501) and Carburetor Overhaul Kit (491539)

NOTE: All component dimensions given in U.S. inches  
 1 inch = 25.4 mm

# REPAIR PARTS

18 HP 44" RIDING GARDEN TRACTOR - - MODEL NUMBER 917.255940

ENGINE BRIGGS & STRATTON - MODEL NUMBER 422707, TYPE NUMBER 1211-01



# REPAIR PARTS

## 18 HP 44" RIDING GARDEN TRACTOR - - MODEL NUMBER 917.255940

ENGINE BRIGGS & STRATTON - MODEL NUMBER 422707, TYPE NUMBER 1211-01

| KEY PART NO. NO. | DESCRIPTION  | KEY PART NO. NO. | DESCRIPTION                                 |
|------------------|--|------------------|---|
| 1 212706         | Knob, Air Cleaner  | 41 93053         | Clamp, Fuel Line                            |
| 2 94289          | Nut, Hex   | 42 397882        | Plug and Seal, Solenoid                     |
| 3 223579         | Cover, Air Cleaner   | 43 280474        | "O" Ring Seal                               |
| 4 271271         | Element, Air Cleaner   | 44 491538        | ** Valve Assembly, Carburetor Idle          |
| 5 224039         | Mounting Strap Assembly, Air Cleaner                               | 45 392672        | Shaft and Lever, Throttle                   |
| 6 94166          | Screw, Hex Head  | 46 271013        | ** Washer, Choke Shaft                      |
| 7 398826         | Body, Air Cleaner  | 47 26157         | Spring, Throttle Adjustment                 |
| 8 491535         | Carburetor Assembly (Includes Key Numbers 9-20, 42-57, 62 and 63)  | 48 91920         | Screw, Machine, Fillister Head #8-32 x 5/8" |
| 9 399535         | Body Assembly, Upper, Carburetor                                   | 49 270988        | *** Diaphragm                               |
| 10 271411        | Gasket, Air Cleaner  | 50 261358        | *** Spring                                  |
| 11 93499         | Screw, Throttle and Choke  | 51 221377        | *** Cap, Spring                             |
| 12 223534        | Valve, Choke   | 52 261395        | *** Spring, Pump                            |
| 14 392673        | Shaft and Lever, Choke   | 53 223688        | Cover, Diaphragm                            |
| 15 271607        | ** Gasket, Carburetor Body   | 54 93829         | Screw Diaphragm, Damping                    |
| 16 298514        | Float Carburetor   | 55 271025        | *** Gasket, Carburetor Pump                 |
| 17 94152         | Screw, Sems, Hex Head #10-32 x 3/4                                 | 56 270989        | *** Diaphragm, Damping                      |
| 18 491543        | Body, Lower, Carburetor (Includes Key Numbers 11, 19, 20, 45 & 46) | 57 280197        | Body, Pump                                  |
| 19 231209        | Bushing Throttle, Shaft  | 58 394501        | Gasket Set                                  |
| 20 221939        | Valve, Throttle  | 59 394019        | Cartridge, Air Cleaner                      |
| 21 271412        | **** Gasket, Carburetor and Intake Elbow                           | 60 223472        | Plug, Welch                                 |
| 22 93897         | Screw, Sems  | 61 223714        | Cartridge Plate, Air Cleaner                |
| 23 93971         | Screw, Hex Head  | 62 230896        | ** Pin, Float Hinge                         |
| 24 280818        | Crank, Bell  | 63 394681        | ** Valve, Fuel Inlet                        |
| 25 270884        | * Gasket, Intake Manifold Mounting                                 | 64 271013        | Washer                                      |
| 26 93208         | Screw, Intake Manifold Mounting                                    | 65 231338        | Jet, Needle Valve                           |
| 27 93970         | Screw, Hex Head  | 66 490207        | Crank, Bell                                 |
| 28 2 615 8 7     | Link, Throttle   | 67 262375        | Link  |
| 29 280319        | Spacer, Carburetor   | 68 223893        | Bracket, Speed Control                      |
| 30 213290        | Manifold Assembly, Intake  | 69 221535        | Clamp, Casing                               |
| 31 93949         | Screw, Sems  | 70 93496         | Screw, Hex Head                             |
| 32 262351        | Spring, Governor   | 71 393397        | Repair Kit, Pump                            |
| 33 491297        | Lever Assembly, Governor (Includes Key #34, 35 and 37)             | 72 491539        | Overhaul Kit, Carburetor                    |
| 34 92278         | Nut, Hex #10-24  | 73 94298         | Nut, Square                                 |
| 35 222289        | Washer   | 74 223882        | Washer                                      |
| 36 261563        | Spring, Governor Idle  | 75 262337        | Spring, Compression                         |
| 37 93853         | Bolt, Governor Lever   | 76 94297         | Screw, Pan Head                             |
| 38 261586        | Link, Governor   |                  |   |
| 39 491282        | Plate Assembly, Governor Control                                   |                  |   |
| 40 393815        | Impulse Line and Clamp Assembly (Includes Key Number 41 )          |                  |   |

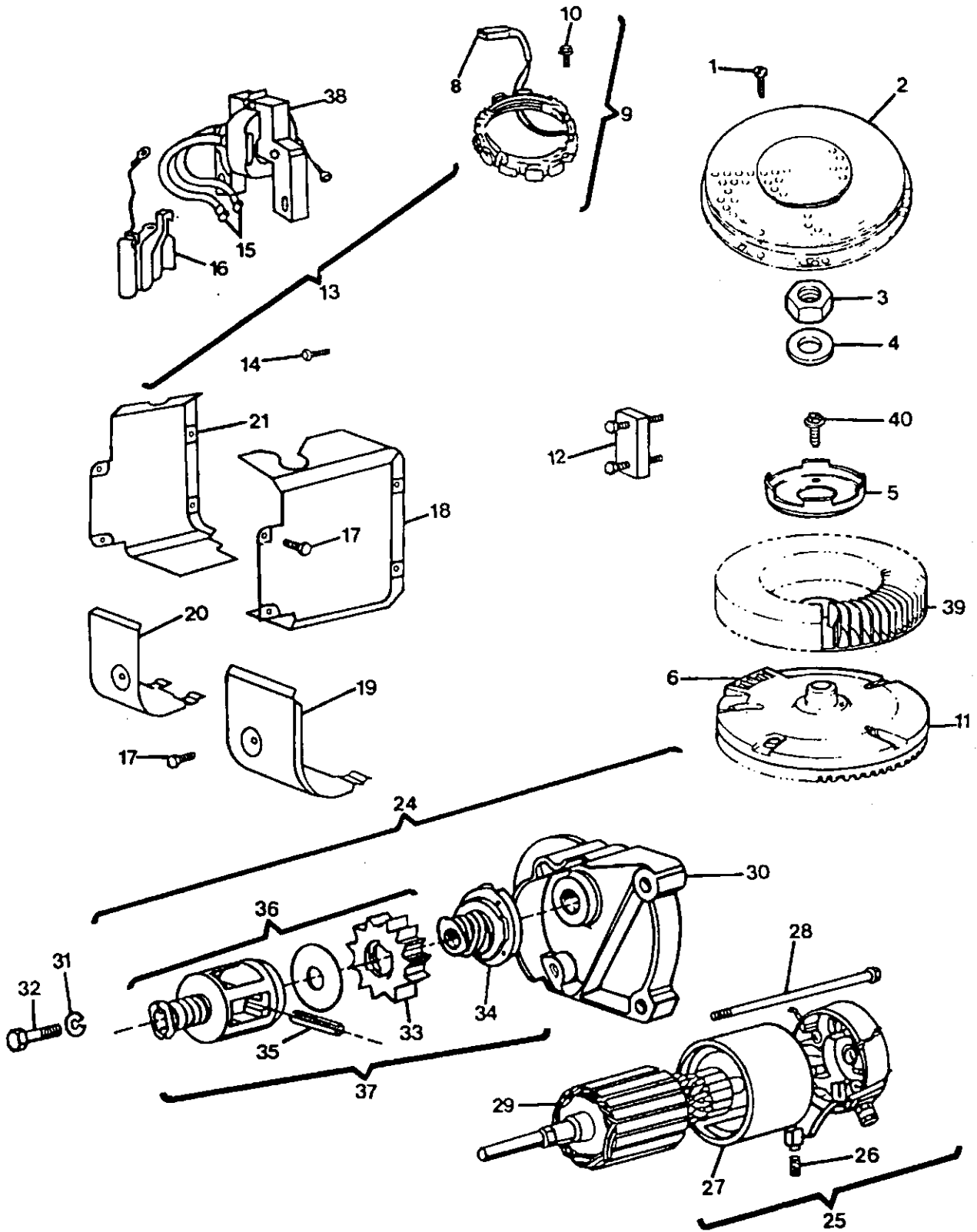
- \* Included in Gasket Set (394501)
- \*\* Included in Carburetor Overhaul Kit (491539)
- \*\*\* Included in both Carburetor Overhaul Kit (491539X) and Pump Repair Kit (393397)
- \*\*\*\* Included in both Gasket Set (394501) and Carburetor Overhaul Kit (491539)

NOTE: All component dimensions given in U.S. inches  
1 inch = 25.4 mm

# REPAIR PARTS

18 HP 44" RIDING GARDEN TRACTOR - - MODEL NUMBER 917.255940

ENGINE BRIGGS & STRATTON - MODEL NUMBER 422707, TYPE NUMBER 1211-01



# REPAIR PARTS

## 18 HP 44" RIDING GARDEN TRACTOR - - MODEL NUMBER 917.255940

ENGINE BRIGGS & STRATTON - MODEL NUMBER 422707, TYPE NUMBER 1211-01

| KEY PART NO. NO. | DESCRIPTION  | KEY PART NO. NO. | DESCRIPTION   |
|------------------|--|------------------|---|
| 1 94326          | Screw, Sems  | 25 395537        | Commutator End Cap Assembly, Starter (Includes Key Number 26) |
| 2 222673         | Screen, Flush Rotating   | 26 395538        | Brush Set   |
| 3 230674         | Nut, Hex   | 27 393825        | Housing Assembly  |
| 4 222511         | Washer, Spring   | 28 94003         | Thru Bolt   |
| 5 223726         | Retainer, Fan  | 29 390837        | Armature Assembly, Motor                                      |
| 6 491180         | Flywheel and Ring Gear Assembly, Magneto   | 30 394860        | Drive End Cap Assembly, Starter                               |
| 8 393456         | Diode and Connector Assembly   | 31 90366         | Washer, Lock  |
| 9 393474         | Stator, Alternator, Dual Circuit (Includes Key Number 8)                             | 32 91162         | Screw, Hex Head 5/16-18 x 1-1/2                               |
| 10 93621         | Screw, Sems  | 33 280104        | Gear, Starter   |
| 11 391362        | Gear, Flywheel Ring (Includes Mounting Parts)  | 34 398003        | Clutch Assembly, Starter                                      |
| 12 19203         | Puller, Flywheel (Optional Accessory)  | 35 94288         | Roll Pin  |
| 13 394891        | Armature Group (Includes Key Numbers 15, 16 and 38)                                  | 36 490467        | Pinion Spring Kit (Includes Key Numbers 33 and 55)            |
| 14 93381         | Screw, Sems, Armature Mounting   | 37 490421        | Starter, Drive Group (Includes Key Numbers 33, 34, 35 and 36) |
| 15 221798        | Terminal, Ignition Cable   | 38 394988        | Armature Assembly   |
| 16 394970        | Trigger, Coil Assembly, Magnatron Ignition   | 39 280815        | Fan, Flywheel   |
| 17 93163         | Screw, Sems  | 40 93535         | Screw, Sems   |
| 18 222849        | Cover, Air Guide   |                  |   |
| 19 222847        | Shield, Cylinder   |                  |   |
| 20 222846        | Shield, Cylinder   |                  |   |
| 21 222848        | Cover, Air Guide   |                  |   |
| 24 394808        | Motor, Starting (Includes Key Numbers 25, 26, 27, 28, 29, 30, 33, 34, 35, 36 and 37) |                  |   |

**NOTE:** All component dimensions given in U.S. inches  
1 inch = 25.4 mm

---

# SERVICE NOTES

---