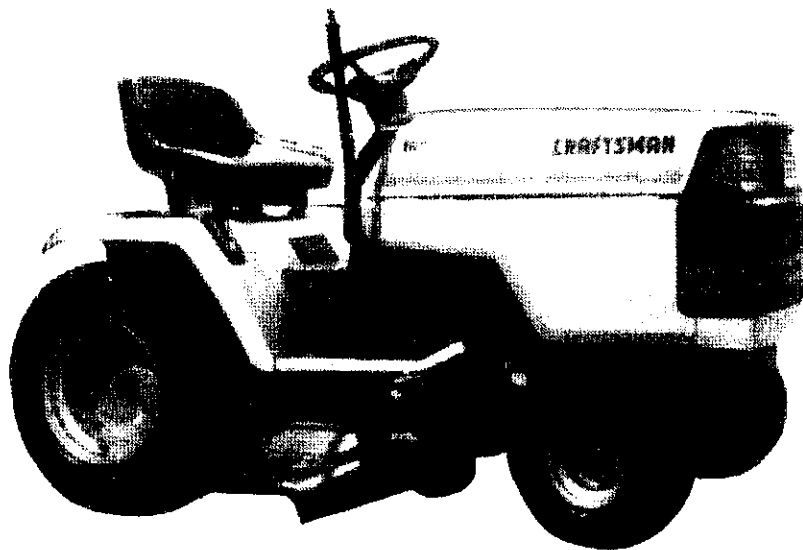


SEARS

**OWNER'S
MANUAL**

**MODEL NO.
917.255942**

Caution:
Read and follow
all Safety Rules
and Instructions
Before Operating
This Equipment

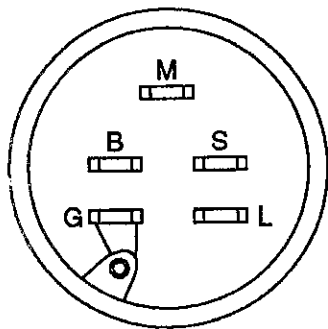
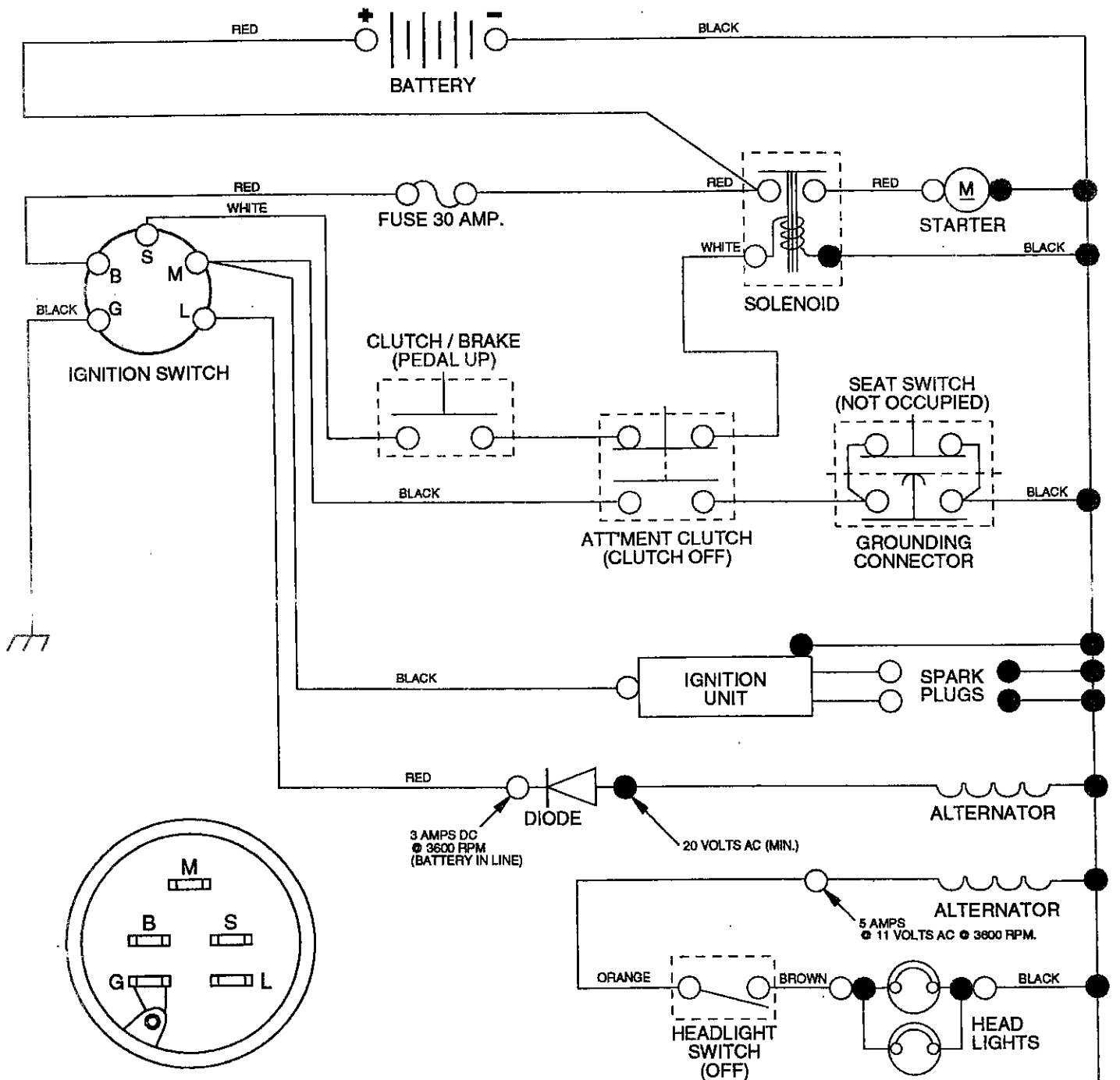


CRAFTSMAN[®]
18.0 HP TWIN CYLINDER
44" MOWER
6 SPEED
GARDEN TRACTOR

- Assembly
- Operation
- Customer Responsibilities
- Service and Adjustments
- Repair Parts

18 HP 44 " TRACTOR -- MODEL NUMBER 917.255942

SCHEMATIC



IGNITION SWITCH

POSITION	CIRCUIT
OFF	M + G
ON	B + L
START	B + S

WIRING INSULATED CLIPS

NOTE: IF WIRING INSULATED CLIPS WERE REMOVED FOR SERVICING OF UNIT, THEY SHOULD BE REPLACED TO PROPERLY SECURE YOUR WIRING

NOTE

YOUR TRACTOR IS EQUIPPED WITH A SPECIAL ALTERNATOR SYSTEM. THE LIGHTS ARE NOT CONNECTED TO THE BATTERY, BUT HAVE THEIR OWN ELECTRICAL SOURCE. BECAUSE OF THIS, THE BRIGHTNESS OF THE LIGHTS WILL CHANGE WITH ENGINE SPEED. AT IDLE THE LIGHTS WILL DIM. AS THE ENGINE IS SPEEDED UP, THE LIGHTS WILL BECOME THEIR BRIGHTEST.

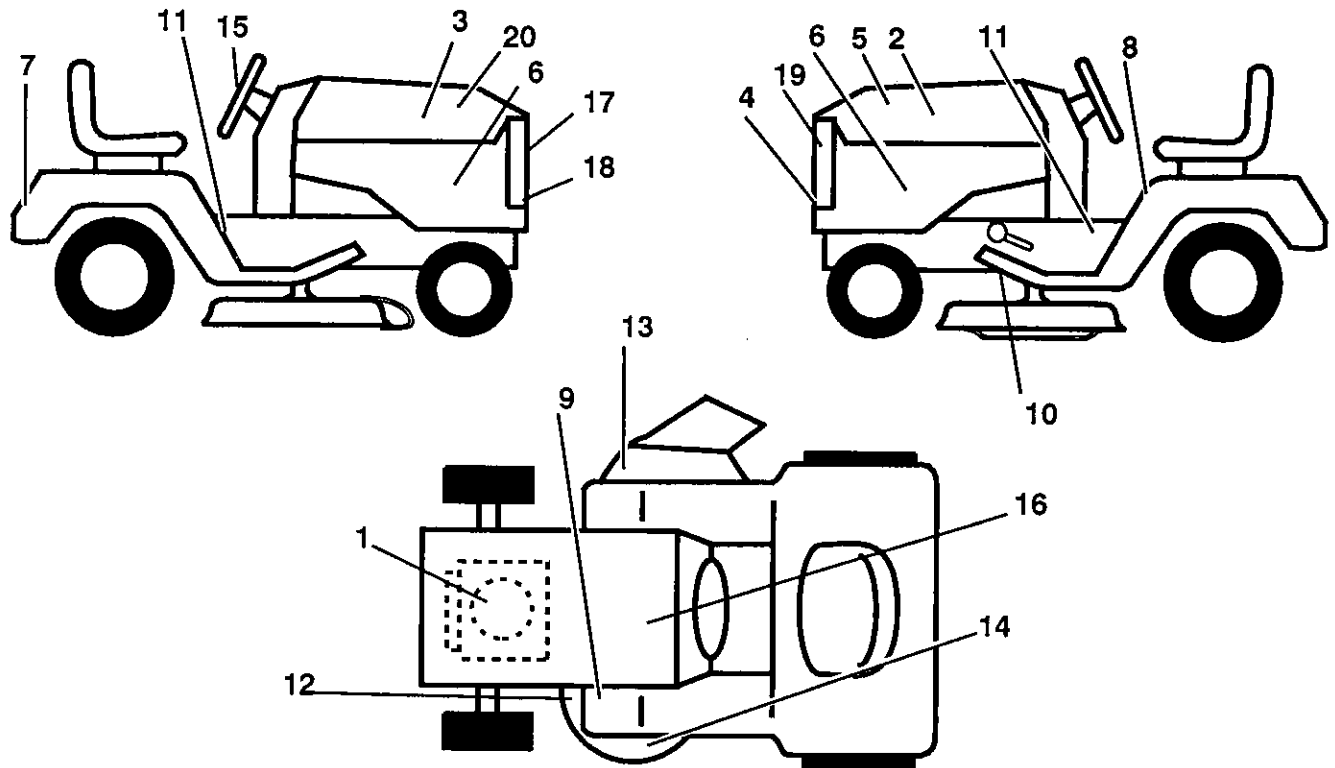
● NON-REMOVABLE CONNECTIONS

○ REMOVABLE CONNECTIONS

REPAIR PARTS

18 HP 44" TRACTOR - - MODEL NUMBER 917.255942

DECALS

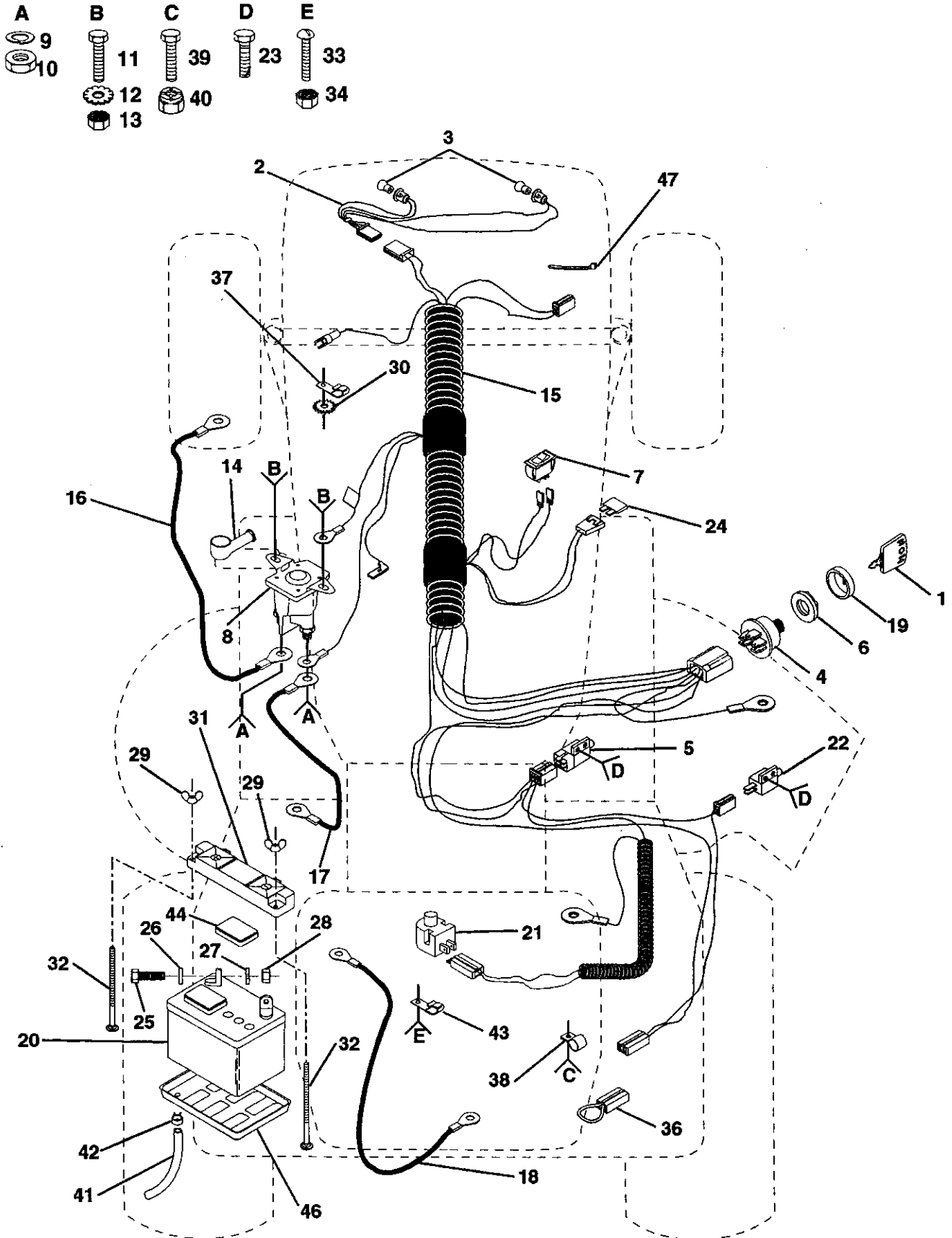


KEY PART NO. NO.	DESCRIPTION	KEY PART NO. NO.	DESCRIPTION		
1	124607X	Decal, Engine, HP	14	3713J	Decal, Rotating Blades
2	130596	Decal, Hood Stripe, L.H.	15	132269	Decal, Steering Wheel Insert
3	130595	Decal, Hood Stripe, R.H.	16	108456X	Decal, Operating Instructions, Dash
4	105568X	Decal, Grill	17	105806X	Decal, Logo, Grill
5	106813X	Decal, Side Panel, L.H.	18	133110	Decal, USA, Grill
6	136330	Decal, II	19	128259	Decal, Model, Grill
7	105801X	Decal, Fender	20	106814X	Decal, Side Panel, R.H.
8	106974X	Decal, Caution	—	138185	Manual, Owner's (English)
9	4900J	Decal, Clutch/Brake	—	101539X	Sheet, Slope
10	109199X	Decal, V-Belt Drive			
11	105567X	Decal, Chassis Speed/Deck Size			
12	136834	Decal, Mower Drive Belt			
13	121343X	Decal, Danger			

REPAIR PARTS

18 HP 44" TRACTOR -- MODEL NUMBER 917.255942

ELECTRICAL



REPAIR PARTS

18 HP 44" TRACTOR -- MODEL NUMBER 917.255942

ELECTRICAL

KEY PART NO. NO.	DESCRIPTION
1 109310X	Molded Key
2 136849	Harness Light Socket (Includes Key #3)
3 4152J	Bulb, Light
4 4406R	Switch, Ignition
5 109553X	Switch, Interlock Attachment Clutch
6 124211X	Ignition, Nut
7 110712X	Switch, Light
8 109081X	Solenoid
9 10090400	Washer, Lock 1/4
10 73350400	* Nut, Hex Jam 1/4-20
11 74780408	Bolt, Fin Hex 1/4-20 UNC x 1/2
12 11050400	Washer, Lock Ext. Tooth 1/4
13 73510400	Nut, Keps 1/4-20
14 131563	Cover, Terminal
15 138186	Harness, Ignition
16 4799J	Cable, Battery
17 4206J	Cable, Battery
18 4207J	Cable, Ground
19 123620X	Cover, Switch Key
20 121537X	Battery
21 121305X	Switch, Seat
22 104445X	Switch, Interlock-Clutch
23 17021008	Screw, Hex Tap. #10-24 x 1/2
24 108824X	Fuse
25 74760412	* Bolt, Hex 1/4-20 x 3/4
26 STD551025	* Washer 9/32 x 5/8 x 16 Ga.
27 STD551125	* Washer, Lock 1/4
28 STD541025	* Nut, Hex 1/4-20
29 123198X	Nut, Wing 1/4-20
30 11050600	Washer, Lock 3/4 Ext. Tooth
31 102476X	Guard, Terminal
32 72240460	Bolt, Carriage 1/4-20 x 7-1/2
33 74641008	Screw, Head, Pan, Slotted #10-32
34 73951000	Nut, Keps #10-32
36 102501X	Wire Loop
37 2751R	Clip, Fuel Line
38 235R	Clip, Insulation
39 74780408	* Bolt, Hex 1/4-20 x 1/2
40 73680400	Nut, Crownlock 1/4-20
41 100656K	Tube
42 109596X	Clamp, Hose
43 4171R	Clip, Insulated
44 121264X	Caps, Battery
46 7603J	Tray, Battery
47 7192J	Cable, Tie

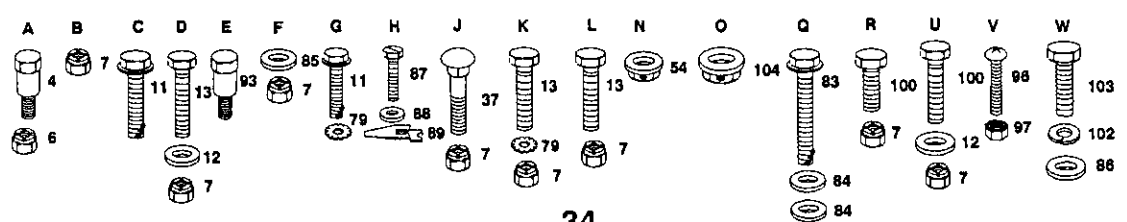
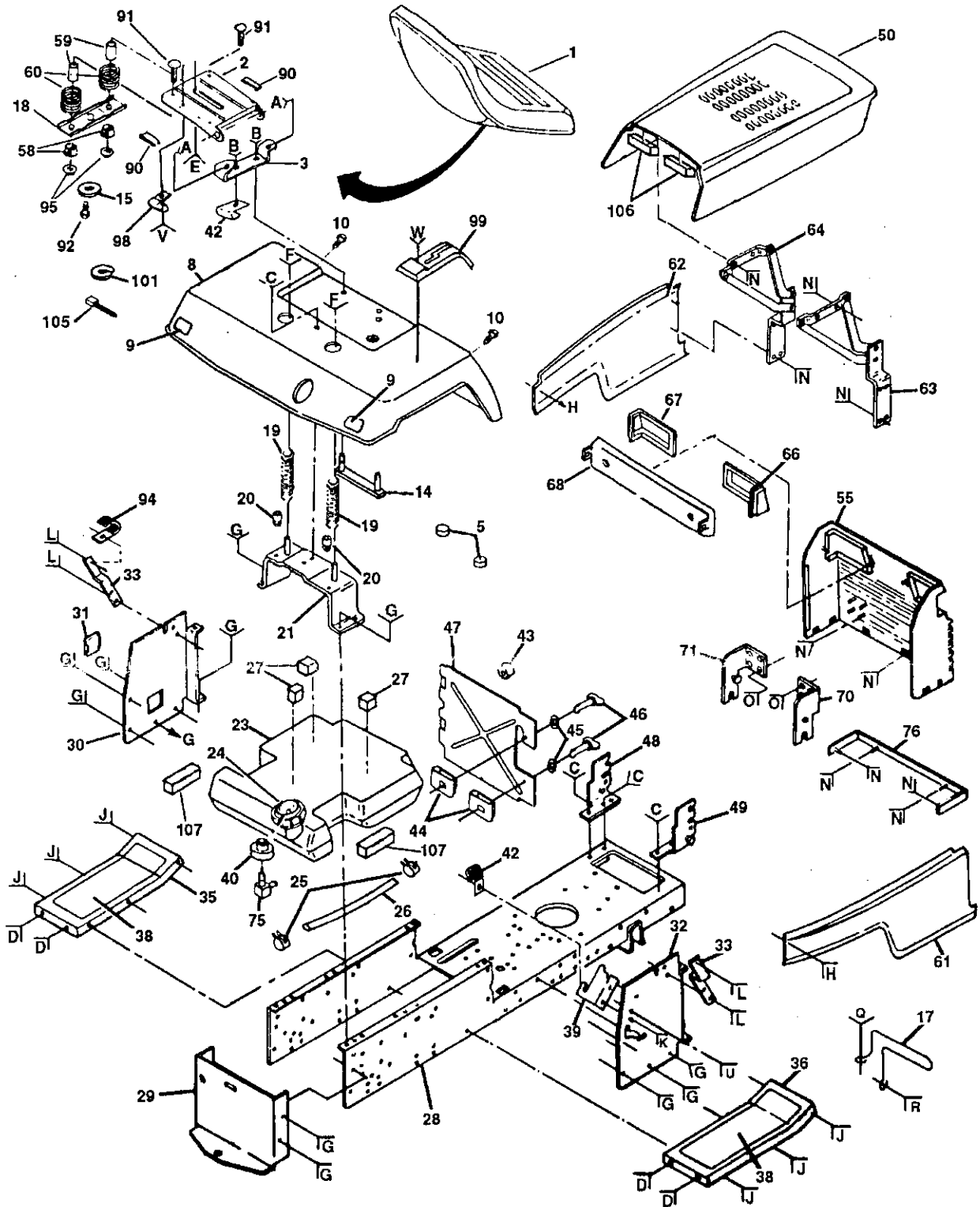
* STANDARD HARDWARE—PURCHASE LOCALLY

NOTE: All component dimensions given in U. S. inches.
1 inch = 25.4 mm

REPAIR PARTS

18 HP 44" TRACTOR - - MODEL NUMBER 917.255942

CHASSIS AND ENCLOSURES



REPAIR PARTS

18 HP 44" TRACTOR - - MODEL NUMBER 917.255942

CHASSIS AND ENCLOSURES

KEY NO.	PART NO.	DESCRIPTION	KEY NO.	PART NO.	DESCRIPTION
1	127437	Seat	50	106013X417	Hood
2	131451	Pan, Seat	54	108067X	Nut, Pal
3	126656X	Bracket, Pivot, Seat	55	105528X	Grill
4	105529X	Bolt, Shoulder 5/16-18	58	121248X	Bushing, Snap
5	124238X	Cap, Spring	59	134300	Spacer, Split
6	STD541431	* Nut, Crownlock 5/16-18	60	121250X	Spring, Compression
7	STD541437	* Nut, Crownlock 3/8-16	61	108403X417	Panel, Side, R.H.
8	123784X417	Fender	62	108410X417	Panel, Side, L.H.
9	106202X	Reflector, Rear	63	106091X	Hinge, R.H.
10	17490608	Screw, Hex Washer Thd. Roll 3/8-16 x 1/2	64	106090X	Hinge, L. H
11	17490612	Screw, Hex Washer Thd. Roll 3/8-16 x 3/4	66	106003X	Lens, R.H.
12	19131312	Washer 13/32 x 13/16 x 12 Ga.	67	106004X	Lens, L.H.
13	STD523707	* Bolt, Hex, 3/8-16 x 3/4	68	132257	Bezel, Headlight
14	105511X	Strap, Fender	70	108512X	Bracket, Pivot, R.H.
15	19171912	Washer 17/32 x 1-3/16 x 12 Ga.	71	108513X	Bracket, Pivot, L.H.
17	135029	Guard, Muffler	75	8710J	Stem, Tank, Fuel
18	121246X	Bracket, Switch, Seat	76	110350X417	Strap Assembly, Grill
19	124181X	Compression, Spring	79	11050600	Washer, Lock, Ext. Tooth 3/8
20	105531X	Nut, Push	83	17490616	Bolt, Hex Washer Thread Rolling 3/8-16 x 1
21	105509X	Bracket, Fender	84	19131616	Washer, 13/32 x 1 x 16 Ga.
23	127334X	Tank, Fuel	85	19131614	Washer, 13/32 x 1 x 14 Ga.
24	123549X	Cap, fuel	86	19060718	Washer, 3/16 x 7/16 x 18 Ga.
25	123487X	Clamp, Hose	87	106909X	Screw, Special
26	5277J	Line, Fuel	88	106910X	Washer
27	106082X	Pad, Spacer	89	108402X	U-Clip
28	127166X	Chassis Assembly	90	121251X	Strip, Foam
29	123785X	Drawbar	91	72170410	Bolt, Carr. 1/4-20 x 1-1/4
30	124118X	Panel, Dash, L.H.	92	74780814	Bolt, Fin Hex 1/2-13 x 7/8 Gr. 5
31	121794X	Cover, Access	93	127018X	Bolt, Shoulder 5/16-18 x .62
32	133748	Panel, Dash, R. H.	94	5320R	Clip, Insulated
33	105525X	Bracket, Support, Dash	95	123976X	Nut, Hex Large Flange
35	105465X417	Footrest, L.H.	96	STD511005	* Screw, Slt'd. Pan Head #10-24 x 1/4
36	105464X417	Footrest, R.H.	97	73951000	Nut, Keps #10-24
37	STD533707	* Bolt, Carr. 3/8-16 x 3/4	98	4171R	Clip, Insulated
38	105466X	Pad, Footrest	99	123825X	Console, Shifter
39	110923X	Bracket, Clutch, Mower	100	STD533710	* Bolt, Carriage 3/8-16 UNC x 1
40	3645J	Bushing	101	STD551150	* Washer, Lock 1/4
42	2751R	Clip, Insulated	102	10100800	Washer, Lock
43	110436X	Grommet, Split	103	74640806	Screw #8 x 3/8
44	105839X	Receptacle	104	120579X	Nut, Pal
45	105838X	Retainer	105	131127	Cable Tie
46	123650X	Stud, 1/4 Turn	106	136532	Bumper, Hood
47	105867X	Shield, Heat	107	109227X	Pad, Spacer
48	109015X	Bracket, Pivot, L. H.			
49	109016X	Bracket, Pivot, R. H.			

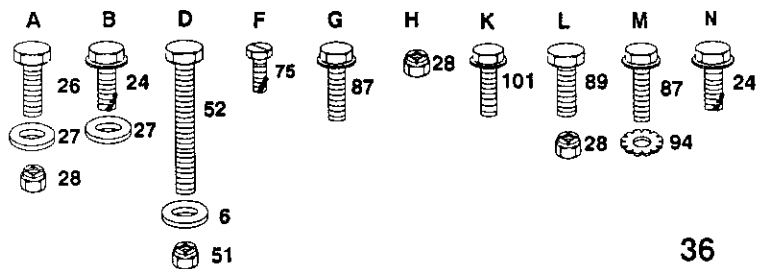
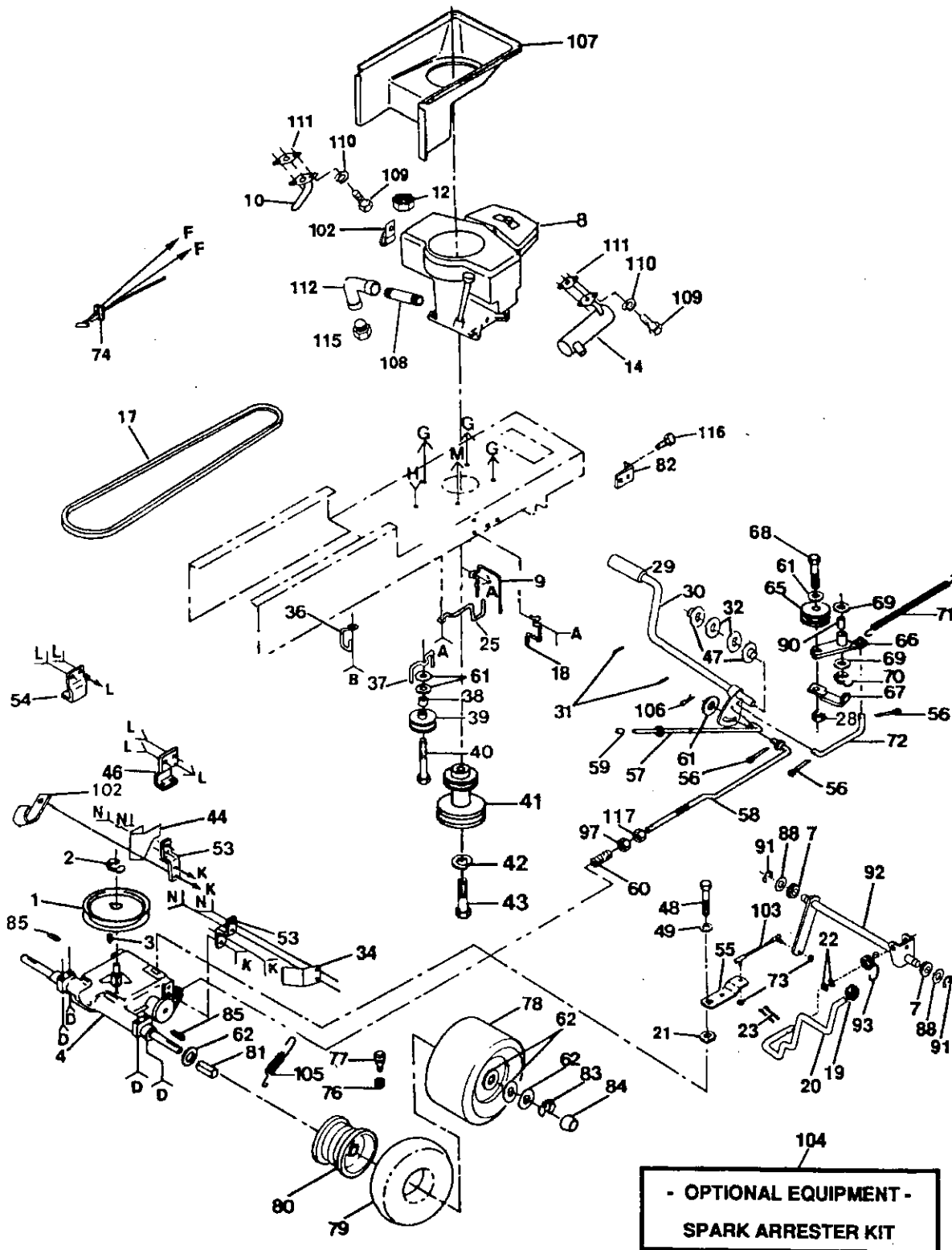
* STANDARD HARDWARE — PURCHASE LOCALLY

NOTE: All component dimensions given in U.S. inches.
1 inch = 25.4 mm

REPAIR PARTS

18 HP 44" TRACTOR -- MODEL NUMBER 917.255942

DRIVE



REPAIR PARTS

18 HP 44" TRACTOR - - MODEL NUMBER 917.255942

DRIVE

KEY NO.	PART NO.	DESCRIPTION	KEY NO.	PART NO.	DESCRIPTION
1	121327X	Pulley, Transaxle (Driven)	62	123800X	Washer 1-1/32 x 1-5/8 x 16
2	12000004	Ring, Retainer	65	127783	Pulley, Idler, V. Groove
3	2228M	Key, Woodruff #9	66	123789X	Arm, Idler
4	123797X	Transaxle, 6-Speed, Peerless Model No. 143.820-016	67	123205X	Retainer, Belt
6	19111214	Washer 11/32 x 3/4 x 14 Ga.	68	STD523715	* Bolt, Hex 3/8-16 X 1-1/2
7	71208	Bushing, Rod, Steering	69	110812X	Washer, Hardened
8	137620	Engine, Briggs & Stratton 18 HP Model No. 422707, Type 1254-01	70	12000039	Ring, Clip
9	121440X	Guide, Belt Lower Engine	71	105709X	Spring, Return, Clutch
10	100229L	Tube Assembly, Exhaust	72	105710X	Link, Clutch
12	STD541437	* Nut, Keps 3/8-16	73	73530400	Nut 1/4-28
14	108373X	Muffler	74	132755	Control, Throttle
17	123796X	V-Belt, Drive	75	17720410	Screw, Hex, Thread Cutting 1/4-20 x 5/8
18	121441X	Guide, Belt Lower Engine	76	59192	Cap, Valve
19	106933X	Knob	77	65139	Stem, Valve
20	123781X	Rod, Shifter	78	124106X	Tire, Rear
21	105701X	Washer, Shift Plate	79	7152J	Tube(Optional, Service Item Only)
22	19171216	Washer 17/32 x 3/4 x 16 Ga.	80	124074X361	Rim
23	STD561210	* Pin, Cotter 1/8 x 1	81	108097X	Spacer, Split
24	17490612	Screw, Hex Washer Hd.Thd. Roll. 3/8-16 x 3/4	82	108236X	Bracket, Switch
25	129921	Keeper, Belt, Engine, L.H., LT	83	12000053	E-Ring
26	STD523710	* Bolt, Hex 3/8-16 x 1	84	104757X	Cap Hub, Rear
27	19131312	Washer 13/32 x 13/16 x 12 Ga.	85	9396E	Key Square 1/4 x 2
28	73680600	* Nut, Crownlock 3/8-16	87	17490624	Bolt, Hex, Washer, Thread Rolling 3/8-16 x 1-1/2
29	8883R	Cover, Foot Pedal	88	19212016	Washer 21/32 x 1-1/4 x 16 Ga.
30	122424X	Shaft, Foot Pedal	89	STD523707	* Bolt Hex 3/8-16 x 3/4
31	1572H	Pin, Roll 3/16 x 1	90	105706X	Bearing
32	STD551062	* Washer 21/32 x 1 x 16 Ga.	91	12000008	Ring, Klip
34	123792X	Keeper, Belt, Transaxle, R.H.	92	123772X	Shaft Assembly, Shifter
36	136715	Keeper, Chassis Center Span	93	123782X	Spring, Torsion
37	109070X	Keeper, Belt	94	STD551237	* Washer, Lock, Ext. Tooth 3/8
38	4470J	Spacer	97	STD541437	* Locknut 3/8-16
39	123674X	Idler, Flat	101	17490512	Screw, Hex, Washer Thd. Rolling 5/16-18 x 3/4
40	STD523727	* Bolt, Hex 3/8-16 x 2-3/4	102	2751R	Clip, Fuel Line
41	134826	Pulley, Engine	103	123793X	Rod, Tie
42	10040700	Washer, Lock	104	674A380	Spark Arrester Kit
43	71170768	Bolt, Hex 7/16-20 x 4-1/4, Gr. 5	105	110422X	Spring, Brake Return
44	123791X	Keeper, Belt, Transaxle, L.H.	106	4497H	Clip, Hair Pin
46	123776X	Bracket Transaxle, RH.	107	105953X	Duct, Air Intake
47	120183X	Bearing Nylon	108	13280336	Nipple, Pipe
48	71040412	* Bolt, Hex 1/4-28 x 3/4	109	STD522507	* Bolt, Hex 1/4-20 x 3/4
49	STD551025	* Washer 9/32 x 3/4 x 16 Ga.	110	STD551125	* Washer, Lock 1/4
51	STD541431	* Nut, Crownlock 5/16-18	111	8545J	Gasket
52	74780544	* Bolt, Hex 5/16-18 x 2-3/4	112	13200300	Elbow, Pipe STD 90°
53	123787X	Strap, Torque	115	-----	Plug, Oil (Order from Mfg.)
54	123780X	Bracket, Transaxle, L.H.	116	STD601005	* Screw, Tap Hex Hd. #10-24 x 1/2
55	123794X	Shift Arm	117	73350600	Nut, Hex Jam 3/8-16 UNC
56	STD561210	* Pin, Cotter 1/8 x 3/4			
57	133261	Rod, Brake, Park			
58	123786X	Rod, Brake			
59	124236X	Cap, Plunger			
60	126909X	Spring, Rod, Brake			
61	STD551037	* Washer 13/32 x 13/16 x 16 Ga.			

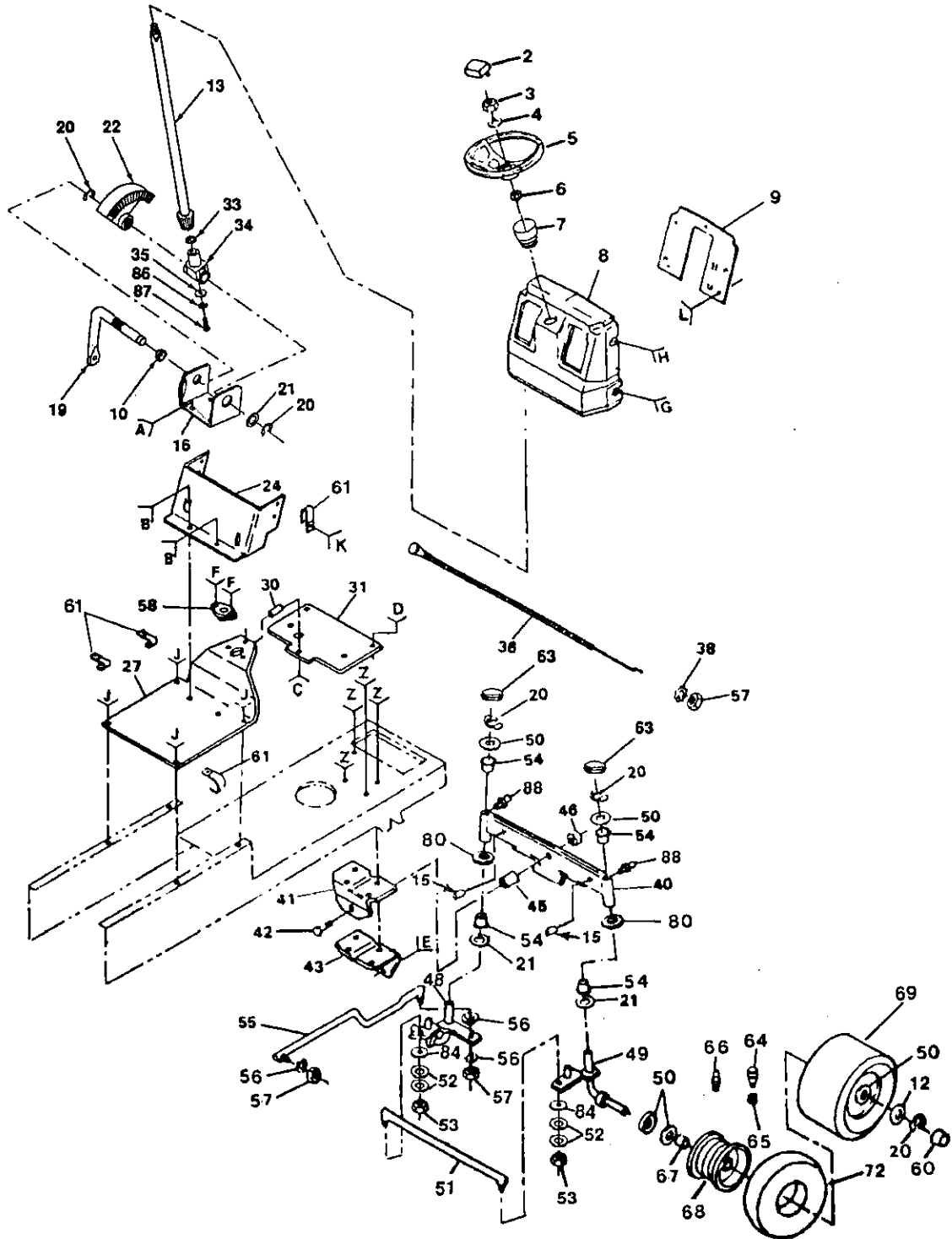
* STANDARD HARDWARE — PURCHASE LOCALLY

NOTE: All component dimensions given in U. S. inches.
1 inch = 25.4 mm

REPAIR PARTS

18 HP 44" TRACTOR - - MODEL NUMBER 917.255942

STEERING



- | | | | | | | | | | | | |
|----------|----------|----------|----------|----------|----------|----------|----------|----------|----------|----------|----------|
| A | B | C | D | E | F | G | H | J | K | L | Z |
| 18 | 25 | 29 | 32 | 47 | 59 | 73 | 39 | 11 | 32 | 77 | 82 |
| | 26 | | 28 | | | 75 | 56 | | | 78 | |
| | | 26 | | | | 74 | 62 | | | 79 | |
| | | | | | | 56 | | | | | |
| | | | | | | 62 | | | | | |

REPAIR PARTS

18 HP 44" TRACTOR - - MODEL NUMBER 917.255942

STEERING

KEY NO.	PART NO.	DESCRIPTION	KEY NO.	PART NO.	DESCRIPTION
2	133742	Insert, Steering Wheel	45	110438X	Spacer Bearing, Front Axle
3	73940800	* Locknut, Top 1/2-20 UNF	46	73601000	Locknut, Hex W/washer 5/8-11
4	100712K	Washer	47	17490508	Screw, Hex Washer Thd. Rolling 5/16-18 x 1/2
5	133741	Wheel, Steering	48	135227	Spindle, L.H.
6	100711L	* Adapter-Steering Wheel	49	135228	Spindle, R.H.
7	106015X	Sleeve-Steering	50	121749X	Washer 25/32 x 1-1/4 x 16 Ga.
8	120028X	Dash	51	121321X	Rod, Tie
9	129621X011	Plate, Dash	52	STD551131	* Washer, Lock 5/16
10	109816X	Nyliner, Snap-In	53	STD541131	* Nut, Hex 5/16-24
11	17490608	Screw, Hex Washer Thd. Rolling 3/8-16-1/2	54	3366R	Bearing
12	121748X	Washer 25/32 x 1-5/8 x 16 Ga.	55	130468	Link, Drag
13	128755	Shaft, Steering	56	STD551137	* Washer, Lock 3/8
15	132624	Pin, Axle 5/8 x 1.55/1.54	57	STD541137	* Nut, Hex 3/8-24
16	124036X	Bracket, Steering	58	1554J	Bushing, Steering
18	17490612	Screw, Hex Washer Thd. Rolling 3/8-16 x 3/4	59	17431008	Screw, Hex #10-16 x 1/2
19	127501	Shaft, Pitman	60	104757X	Cap, Hub, Front
20	12000029	Ring, Klip	61	2751R	Clip, Fuel Line
21	6266H	Bearing, Thrust	62	STD541037	* Nut, Hex 3/8-16
22	124034X	Gear, Sector	63	121232X	Spindle, Cap
24	105518X	Dash, Lower	64	59192	Cap, Valve
25	74180512	Screw, Crown Truss Hd. 5/16-18 x 3/4	65	65139	Stem, Valve
26	STD541431	* Nut, Crownlock 5/16-18	66	278H	Fitting, Grease
27	123783X012	Saddle	67	9040H	Bearing
28	STD541437	* Nut, Crownlock 3/8-16	68	106732X361	Rim, Front
29	STD523120	* Bolt, Hex 5/16-18 x 2	69	106222X	Tire, Front
30	121236X	Spacer	72	59904	Tube (Optional, Service Item Only)
31	128231	Support Plate, Battery	73	72110622	Bolt, Carriage Hex 3/8-16 x 2-3/4
32	STD523707	* Bolt, Hex 3/8-16 x 3/4	74	121235X	Spacer
33	57079	Washer	75	19131416	Washer 13/32 x 7/8 x 16 Ga.
34	124035X	Shaft, Support	77	STD512507	* Screw, Pan Head 1/4-20 x 3/4
35	126684X	Washer 5/8 x 1/4 x 16 Ga.	78	19091216	Washer 13/32 x 3/4 x 16 Ga.
36	132779	Control, Choke	79	73510400	Nut, Keps 1/4 NC
38	STD551237	* Washer, Lock, Int./Ext. Tooth 3/8	80	19272016	Washer 27/32 x 1-1/4 x 16 Ga
39	72110608	Bolt, Carriage	82	122819X	Screw, Special 3/8-16 x 3/4
40	108075X	Axle, Front	84	19111216	Washer 11/32 x 3/4 x 16 Ga.
41	105663X	Support, Saddle, Rear	86	STD551125	* Washer, Lock 1/4
42	74761060	Bolt, Hex 5/8-11 x 3-3/4	87	71070410	Screw, Socket Hex 1/4 x 20 x 5/8
43	105664X	Support, Saddle, Front	88	6855M	Fitting, Grease

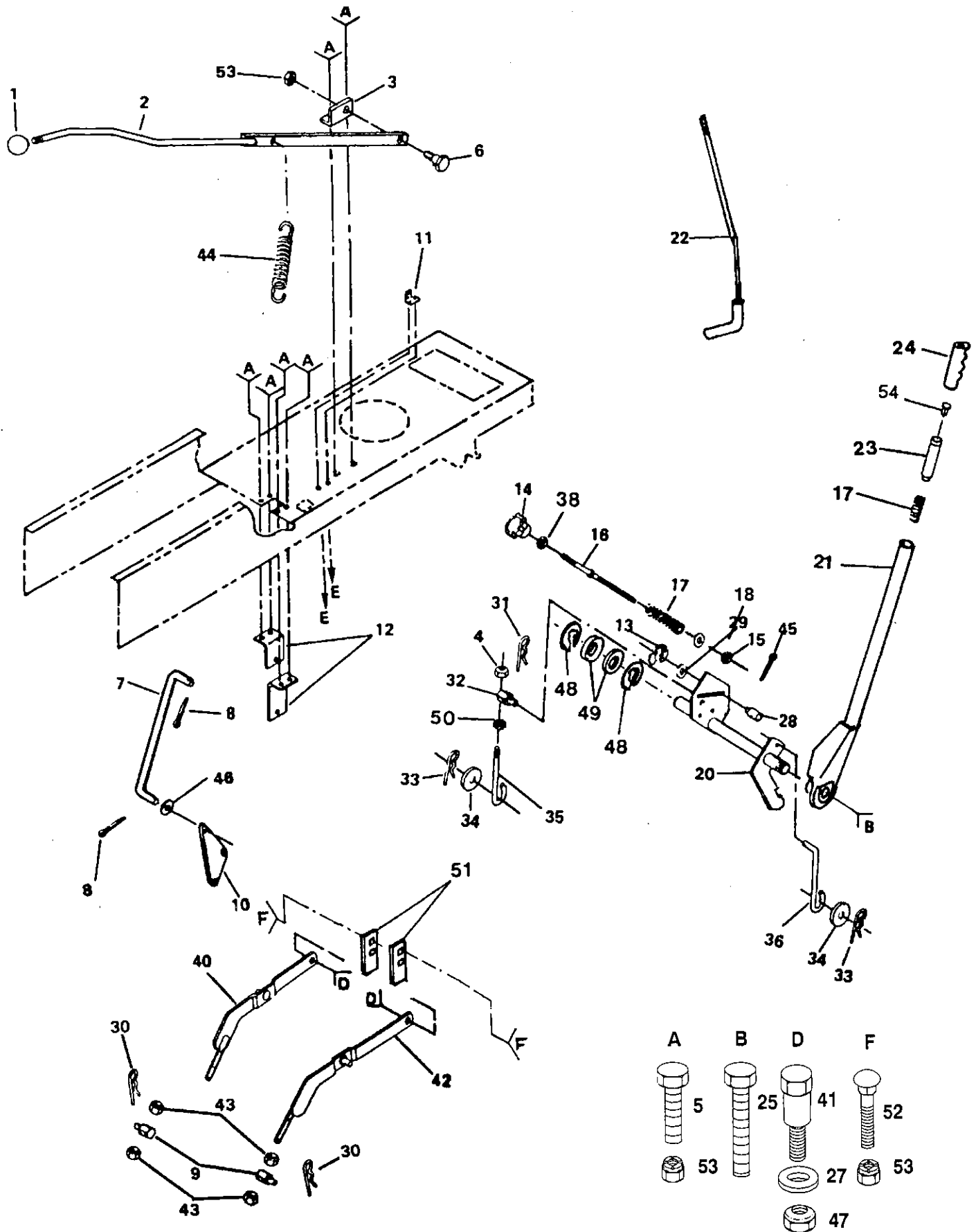
* STANDARD HARDWARE — PURCHASE LOCALLY

NOTE: All component dimensions given in U.S. inches.
1 inch = 25.4 mm

REPAIR PARTS

18 HP 44" TRACTOR - - MODEL NUMBER 917.255942

LIFT ADJUSTMENT



REPAIR PARTS

18 HP 44" TRACTOR - - MODEL NUMBER 917.255942

LIFT ADJUSTMENT

KEY NO.	PART NO.	DESCRIPTION	KEY NO.	PART NO.	DESCRIPTION
1	106933X	Knob	31	4939M	Spring, Retainer
2	110924X	Lever, Mower Clutch	32	110447X	Trunnion, Lift
3	106498X	Bracket, Pivot	33	4921H	Retainer Spring
4	73710700	Nut, Crownlock Jam 7/16-20 UNF	34	19171516	Washer 17/32 x 15/16 x 16 Ga.
5	STD523707	* Bolt, Hex 3/8-16 x 3/4	35	110448X	Link, Lift Adjust
6	106451X	Bolt, Shoulder	36	110029X	Link, Lift
7	108387X	Rod, Clutch, Primary	38	STD541237	* Nut, Hex Jam 3/8-16
8	76020412	Pin, Cotter 1/8 x 3/4	40	121599X	Arm, Suspension, L.H.
9	106308X	Trunnion, Lift Lower	41	105848X	Bolt, Shoulder 3/8-16
10	109728X	Bellcrank	42	121598X	Arm, Suspension, R.H.
12	106444X	Bracket, Bellcrank	43	STD541050	* Nut, Hex Fin. 1/2-13
13	12000037	Ring, Klip	44	58606	Spring
14	100734K	Knob, Height Adjustment	45	76020308	Pin, Cotter 3/32 x 1/2
15	110807X	Nut, Special	46	19131410	Washer 13/32 x 7/8 x 10 Ga.
16	110729X	Rod, Adjust, Lift	47	73980600	Locknut 3/8-16
17	2876H	Spring	48	12000022	E-Ring
18	19131016	Washer 13/32 x 5/8 x 16 Ga	49	19292016	Washer 29/32 x 1-1/4 x 16 Ga
20	121000X	Shaft, Lift	50	73360700	Nut 7/16-20 UNF
21	121002X	Lever, Lift (Incl. Key No. 22)	51	121252X	Upstop, Mower
22	121006X	Rod, Lever	52	72140608	Bolt, Carriage 3/8-16 x 1
23	122364X	Plunger, Lever	53	73680600	Nut, Crownlock 3/8-16
24	125631X	Grip, Handle	54	122365X	Button, Plunger
25	STD523715	* Bolt 3/8-16 x 1-1/2			
27	110739X	Washer, Spring 3/8			
28	110810X	Trunnion, Stop Depth			
29	19151216	Washer 15/32 x 3/4 x 16 Ga.			
30	9135R	Clip, Retainer			

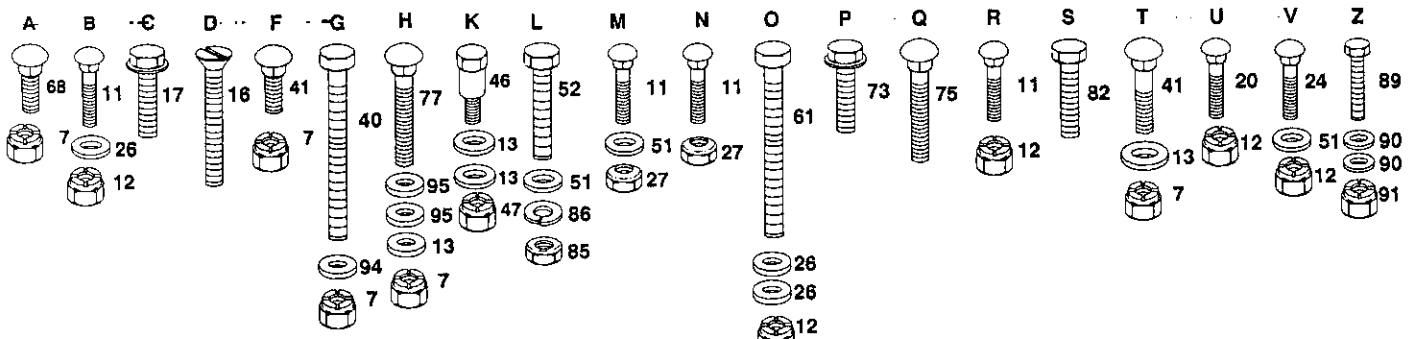
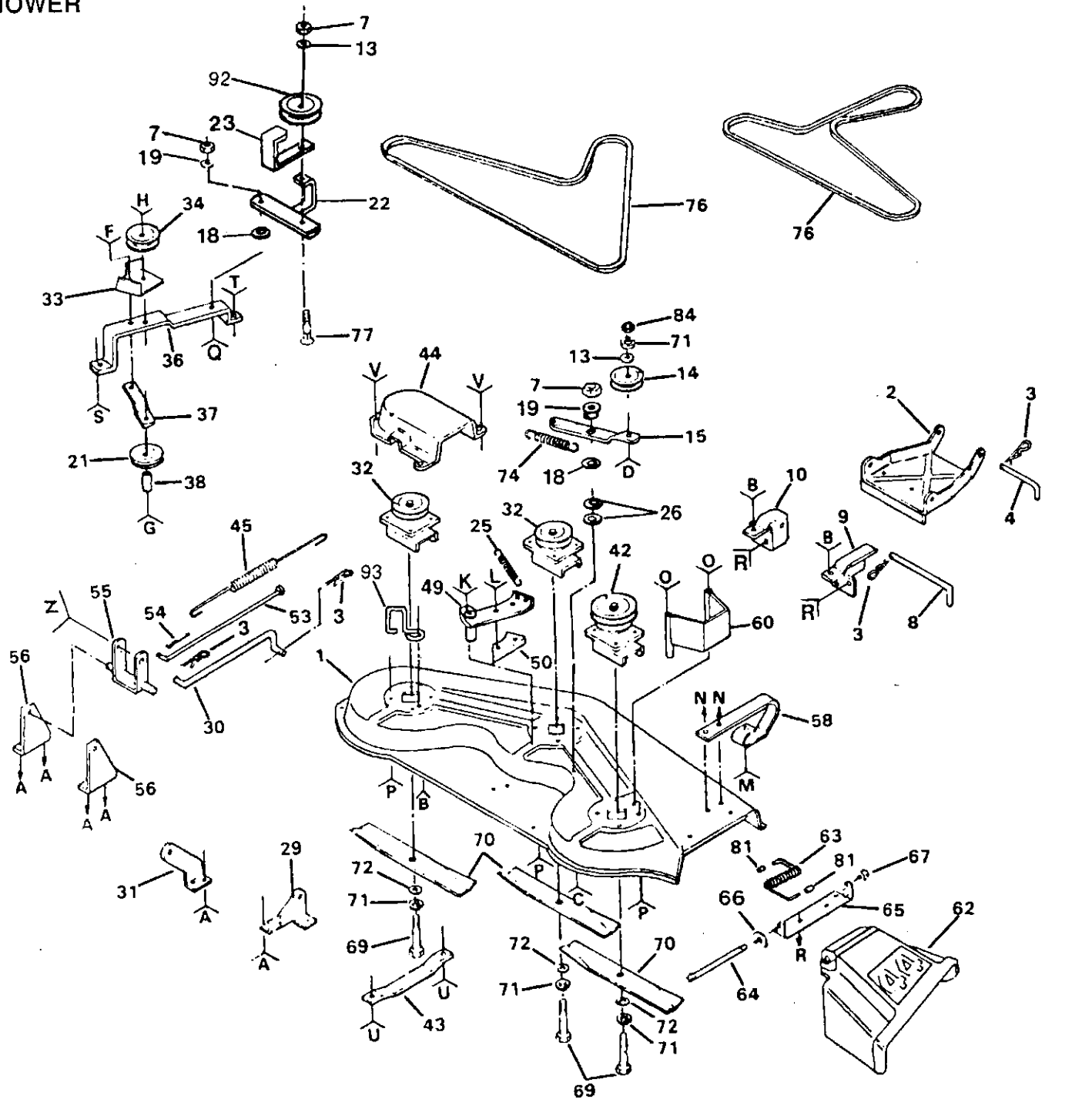
* STANDARD HARDWARE — PURCHASE LOCALLY

NOTE: All component dimensions given in U.S. inches.
1 inch = 25.4 mm

REPAIR PARTS

18 HP 44" TRACTOR - - MODEL NUMBER 917.255942

MOWER



REPAIR PARTS

18 HP 44" TRACTOR - - MODEL NUMBER 917.255942

MOWER

KEY NO.	PART NO.	DESCRIPTION	KEY NO.	PART NO.	DESCRIPTION
1	121423X	Housing, Mower	51	STD551031	* Washer 11/32 x 11/16 x 16 Ga.
2	129762	Stop Assembly, Link, Parallel	52	STD523112	* Bolt, Hex 5/16-18 x 1-1/4
3	4921H	Retainer, Spring	53	108394X	Rod, Brake
4	105744X	Pin, Front Hinge	54	STD560907	* Pin, Cotter 3/32 x 3/4
7	73680600	Nut, Crownlock 3/8 -16	55	110384X	Shaft, Rock
8	109835X	Pin, Rear Hinge	56	108393X	Support, Shaft Rock
9	106512X	Bracket, Lift R. H.	58	8418J	Runner, R.H.
10	106511X	Bracket, Lift L. H.	60	102924X	Guard, Belt-R.H.
11	STD533107	* Bolt, Carriage 5/16-18 x 3/4	61	74760580	Bolt, Hex 5/16-18 x 5
12	73680500	Nut, Crownlock 5/16-18	62	109785X	Shield, Deflector
13	19131614	Washer 13/32 x 1 x 14 Ga.	63	106734X	Spring
14	102932X	Idler, Flat	64	106735X	Rod, Hinge
15	106526X	Arm, Idler Deck	65	109743X	Bracket, Deflector
16	74110632	Screw, Flat Hd. 3/8-16 x 2	66	19111016	Washer 11/32 x 5/8 x 16 Ga.
17	STD523712	* Bolt, Hex 3/8-16 x 1-1/4	67	110452X	Nut, Push
18	106513X	Washer, Wear	68	STD533707	* Bolt, Carriage 3/8-16 x 3/4
19	106902X	Spacer	69	STD623715	* Bolt, Hex 3/8-24 x 1-1/2 Gr. 5
20	72110505	Bolt, Carriage 5/16-18 x 5/8	70	106635X	Blade
21	102403X	Pulley, Idler	71	STD551137	* Washer, Lock 3/8
22	121424X	Arm, Idler	72	19132012	Washer 13/32 x 1-1/4 x 12 Ga.
23	121426X	Guide, Belt	73	17490612	Screw, Hex Washer Thd. Rolling 3/8- 16 x 3/4
24	72110506	Bolt, Carriage 5/16-18 x 3/4	74	7644J	Spring, Extension
25	106530X	Spring	75	72140612	Bolt, Carriage 3/8-16 x 1-1/2
26	19111216	Washer 11/32 x 3/4 x 16 Ga.	76	106085X	V-Belt
27	1685H	Locknut 5/16-18	77	72140616	Bolt, Carriage 3/8-16 x 2
29	123807X	Bracket, Suspension Rear R.H.	81	105304X	Cap, Sleeve
30	108235X	Rod, Clutch	82	STD523710	* Bolt, Hex 3/8-16 x 1
31	123808X	Bracket, Suspension Rear L.H.	84	STD541037	* Nut, Hex 3/8-16
32	136819	Mandrel, Secondary	85	STD541031	* Nut, Hex 5/16- 18
33	106529X	Guide, Belt	86	STD551131	* Washer, Lock 5/16
34	677A451	Pulley, Idler	89	74760412	Bolt, Hex 1/4-20 x 3/4
36	106523X	Bar, Support Idler	90	19091616	Washer 9/32 x 1 x 16 Ga.
37	106522X	Brace, Idler Deck	91	73680400	Nut, Crownlock 1/4-20
38	121236X	Spacer	92	121316X	Pully, Idler
40	STD523730	* Bolt, Hex 3/8-16 x 3	93	121352X	Keeper, Belt
41	STD533710	* Bolt, Carriage 3/8-16 x 1	94	19131316	Washer 13/32 x 13/16 x 16 Ga.
42	121705X	Mandrel, Primary	95	19131410	Washer 13/32 x 7/8 x 10 Ga.
43	7631J	Runner, L.H.	—	121825X	Replacement Mower Deck
44	106214X	Guard			
45	121427X	Spring, Extension			
46	121827X	Bolt, Shoulder			
47	73930600	Nut, Centerlock 3/8-16			
49	106606X	Arm, Brake			
50	102951X	Brake, Block			

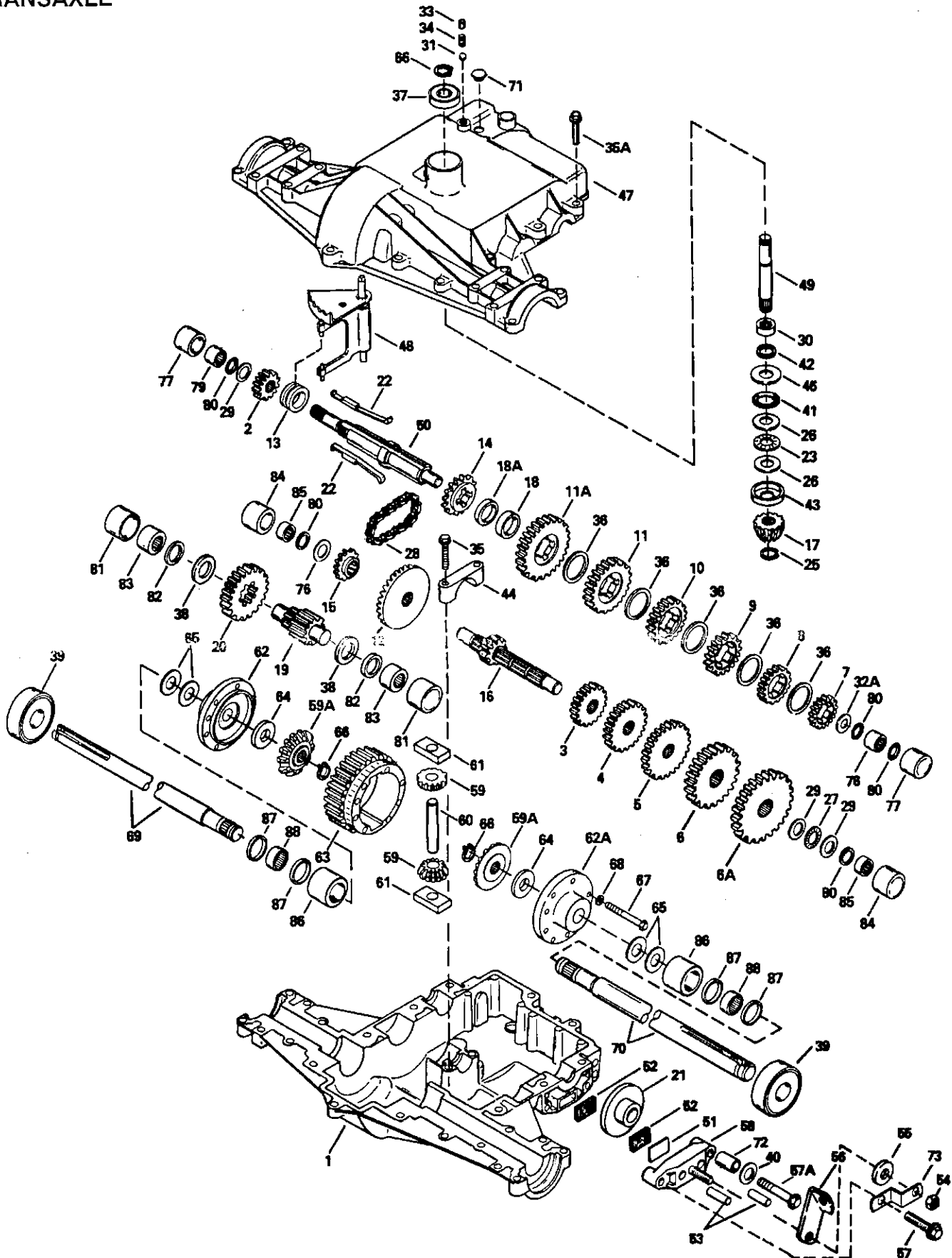
*STANDARD HARDWARE — PURCHASE LOCALLY

NOTE: All component dimensions given in U.S. inches.
1 inch = 25.4 mm

REPAIR PARTS

18 HP 44" TRACTOR - - MODEL NUMBER 917.255942
PEERLESS TRANSAXLE MODEL NUMBER 143.820-016

TRANSAXLE



REPAIR PARTS

18 HP 44" TRACTOR - - MODEL NUMBER 917.255942 PEERLESS TRANSAXLE MODEL NUMBER 143.820-016

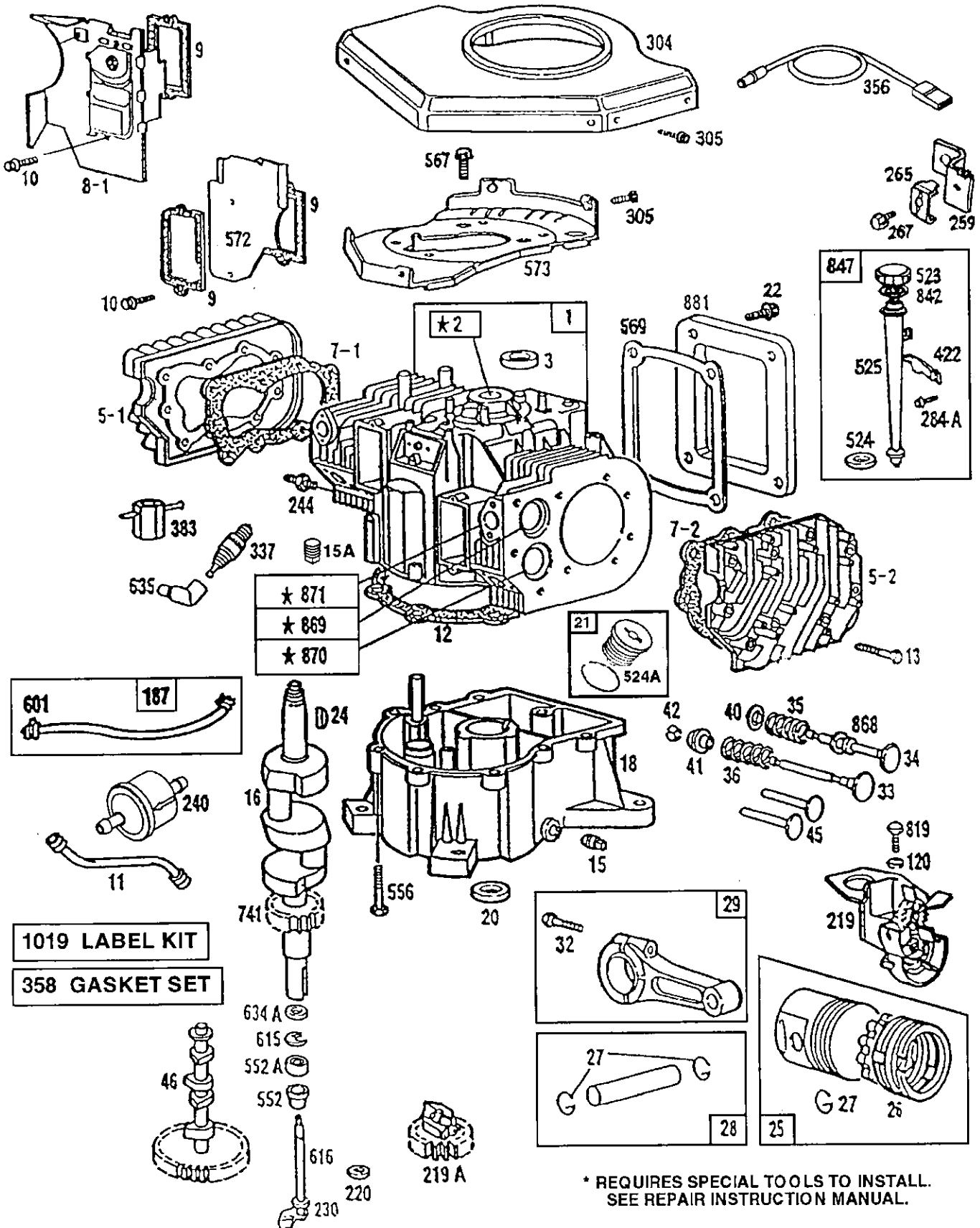
REF PART NO. NO.	DESCRIPTION	REF PART NO. NO.	DESCRIPTION		
1	770088	Case, Transaxle			
2	778253	Gear, Spur 15 Teeth	47	772098	Cover, Transaxle
3	778211	Gear, Spur 12 Teeth	48	784342	Rod and Fork Assembly, Shift
4	778240	Gear, Spur 18 Teeth	49	776274	Shaft, Input
5	778201	Gear, Spur 25 Teeth	50	776313	Shaft, Brake, 4 Keyed
6	778202	Gear, Spur 28 Teeth	51	790007	Plate, Brake Pad
6A	778208	Gear, Spur 31 Teeth	52	790006	Pad, Brake
7	778209	Gear, Spur 19 Teeth	53	786026	Pin, Dowel
8	778203A	Gear, Spur 22 Teeth	54	792075	Locknut 5/16-24
9	778204A	Gear, Spur 25 Teeth	55	792076	Washer, Flat
10	778239A	Gear, Spur 32 Teeth	56	790047	Lever, Brake
11	778207A	Gear, Spur 37 Teeth	57	792073	Screw, Flanged Hex Head, Thread Forming 1/4-20 x 1-1/4
11A	778216A	Gear, Spur 41 Teeth	57A	792085	Screw, Flanged Hex Head, Thread Forming 1/4-20 x 2-1/4
12	778246	Gear, Bevel 33 Teeth	58	790025	Holder, Brake Pad
13	784216	Collar, Shift	59	778197	Pinion, Differential Bevel
14	786123	Sprocket 18 Teeth	59A	778198	Gear, Bevel
15	786082	Sprocket 9 Teeth	60	786019	Pin, Drive
16	776291	Shaft, Counter (with 9 Tooth Gear)	61	786027	Block, Drive
17	778245	Bevel Pinion, Input 13 Teeth	62	774833	Carrier, Differential, Threaded Holes
18	786121	Spacer, Neutral .350/.340 Thick	62A	774834	Carrier, Differential
18A	786122	Spacer, Neutral .276/.268 Thick	63	778248	Gear, Ring 31 Teeth
19	776275	Shaft, Output 9 Teeth	64	780107	Washer
20	778247	Gear, Output 35 Teeth	65	780042	Washer, Thrust
21	790043	Disk, Brake	66	792018	Ring, Snap
22	792138	Key	67	792020	Screw, Hex Head 1/4-20 x 2-1/4
23	780084	Bearing, Thrust	68	792006	Washer, Lock 1/4
25	788040	Ring, Retaining	69	774832	Axle 12-5/16"
26	780051	Washer, Thrust	70	774831	Axle 16-3/16"
27	780071	Bearing, Thrust	71	792074	Plug, Hex Head 9/16-18 Thread
28	786081	Chain, Roller (Number 41 Chain, 24 Links)	72	786067	Spacer
29	780072	Washer, Thrust	73	786086	Bracket, Brake Lever
30	780155	Bearing, Needle	76	780153	Washer
31	792077	Ball, Steel	77	786144	Sleeve, Stepped
32A	780139	Washer, Thrust	78	780150	Bearing, Needle
33	792078	Screw, Set 3/8-16 x 3/8	79	780152	Bearing, Needle, Capped
34	792079	Spring	80	792001	"O" Ring
35	792073	Screw, Flanged Hex Head, Thread Forming 1/4-20 x 1-1/4	81	786142	Sleeve, Stepped
35A	792129	Screw, Hex Head, Thread Forming 5/16-18 x 1-1/4	82	788071	Ring, Square Cut
36	780108	Washer, Thrust	83	780049	Bearing, Needle, Capped
37	780119	Bearing, Ball	84	786143	Sleeve, Stepped
38	780128	Washer, Thrust	85	780151	Bearing, Needle, Capped
39	780050	Bearing, Ball	86	786145	Sleeve, Stepped
40	792128	Washer, Flat	87	788070	Ring, Square Cut
41	788077	"O" Ring	88	780031	Bearing, Needle
42	788042	Seal, Oil			
43	780166	Washer, Cupped			
44	786131	Cap, Bearing			
45	780165	Washer, Flat			

NOTE: All component dimensions given in U.S. inches
1 inch = 25.4 mm

REPAIR PARTS

18 HP 44" TRACTOR - - MODEL NUMBER 917.255942

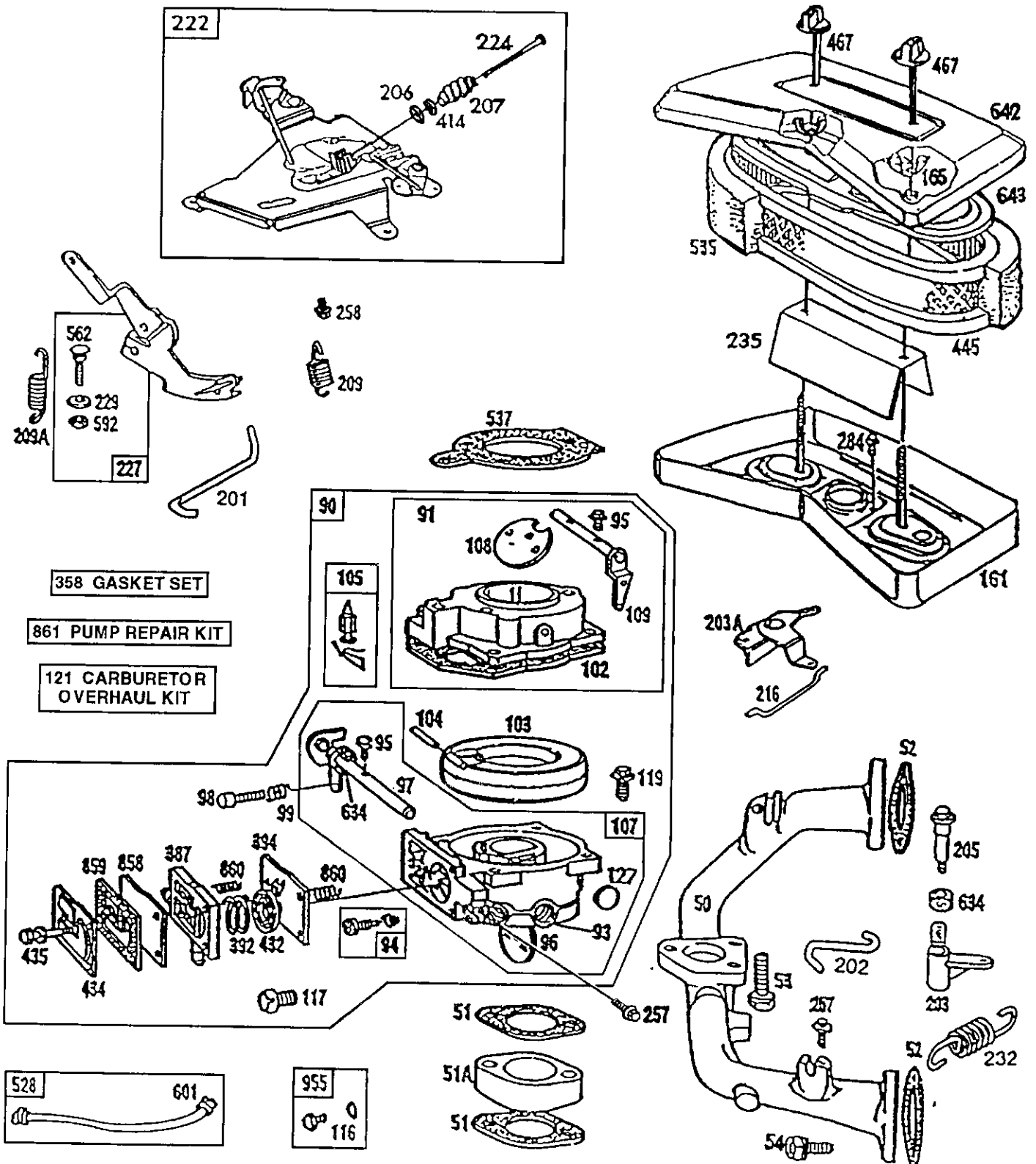
ENGINE BRIGGS & STRATTON - MODEL NUMBER 0422707, TYPE NUMBER 1254-01



REPAIR PARTS

18 HP 44" TRACTOR - - MODEL NUMBER 917.255942

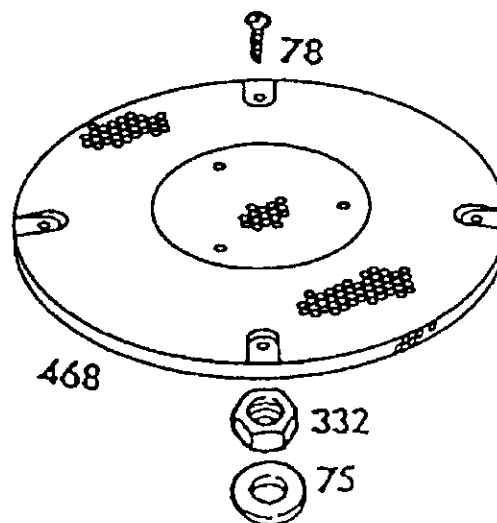
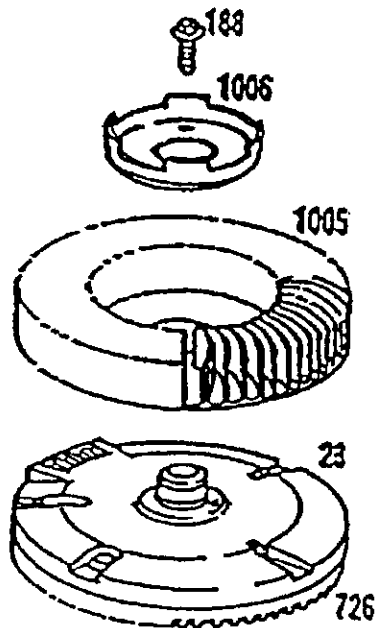
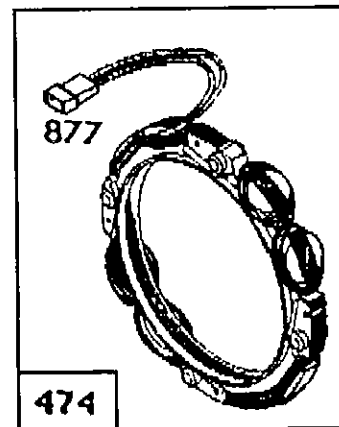
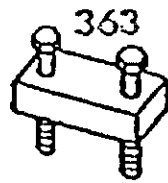
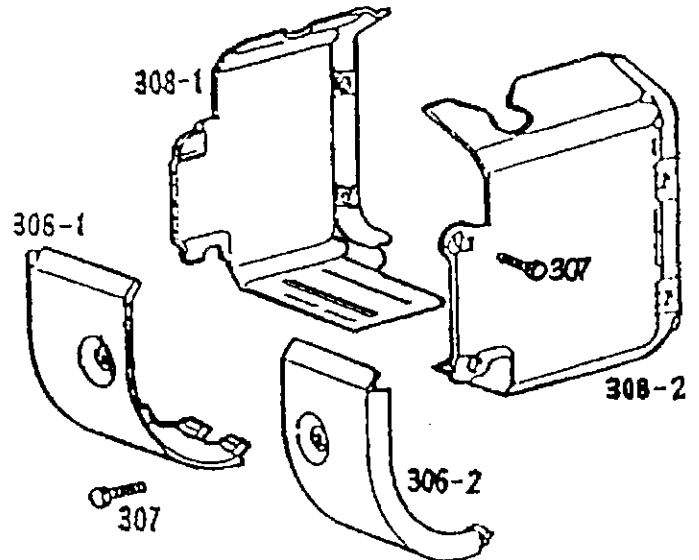
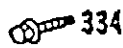
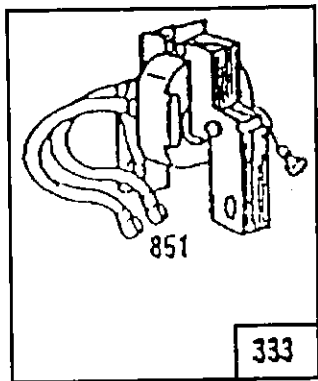
ENGINE BRIGGS & STRATTON - MODEL NUMBER 0422707, TYPE NUMBER 1254-01



REPAIR PARTS

18 HP 44" TRACTOR - - MODEL NUMBER 917.255942

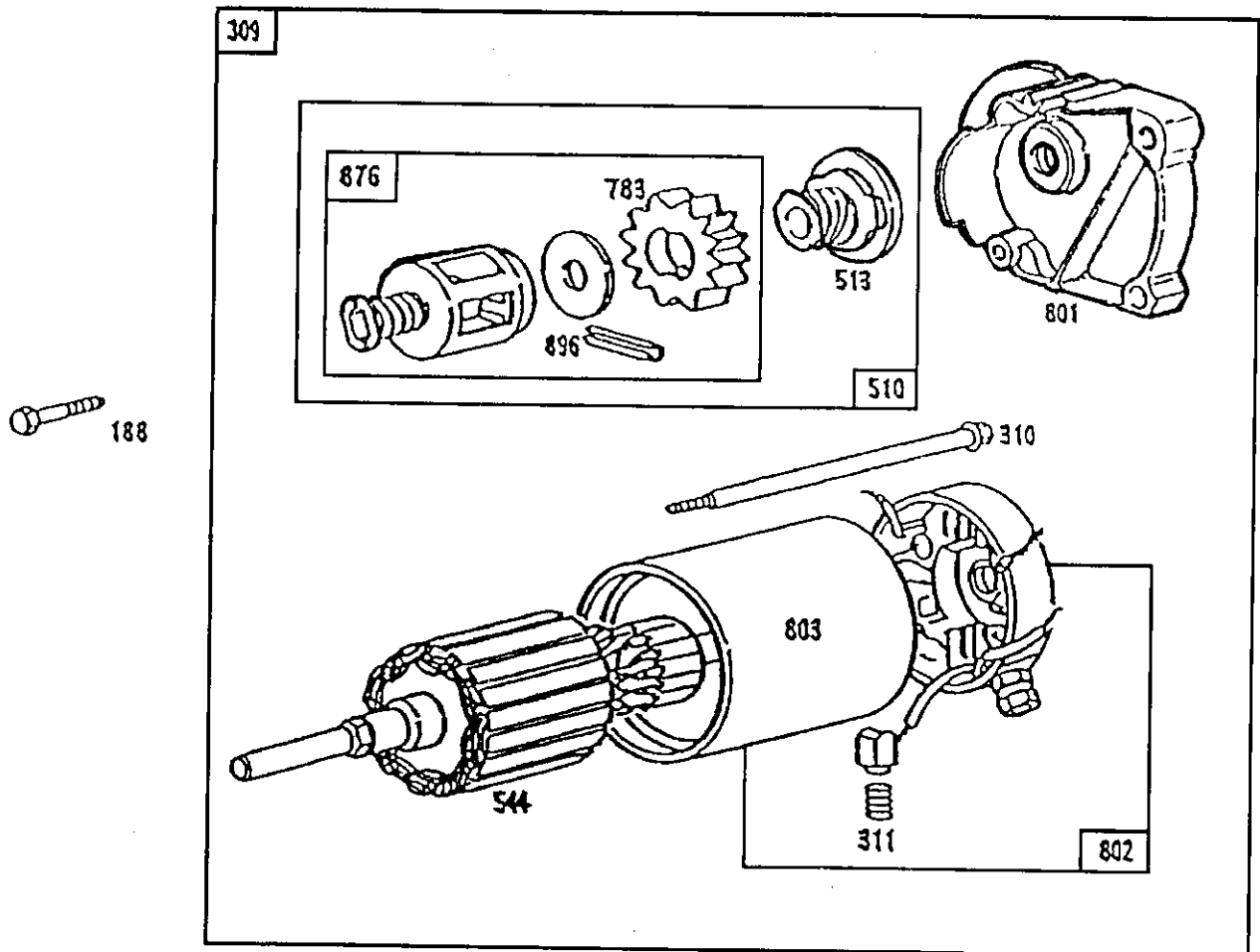
ENGINE BRIGGS & STRATTON - MODEL NUMBER 0422707, TYPE NUMBER 1254-01



REPAIR PARTS

18 HP 44" TRACTOR - - MODEL NUMBER 917.255942

ENGINE BRIGGS & STRATTON - MODEL NUMBER 0422707, TYPE NUMBER 1254-01



Reference Number		309	310	311	544	801	802	803
Manufacturer		Motor and Drive Ass'y.	Thru Bolt Assembly	Brush Assembly	Armature Assembly	Drive End Cap Assembly	End Cap Ass'y. Commutator	Housing Assembly
Briggs & Stratton	Housing Length							
12V	3-5/8"	394808	94003	395538	390837	394860	395537	398159

*Includes Brush Set

Reference Number	510	513	783	876	896
Starter Motor Mfr.	Starter Drive Group	Clutch Assembly	Gear	Pinion Spring Kit	Roll Pin
Briggs & Stratton					
12V	490421	398003	280104	490467	94288(Copper)

REPAIR PARTS

18 HP 44" TRACTOR - - MODEL NUMBER 917.255942

ENGINE BRIGGS & STRATTON - MODEL NUMBER 0422707, TYPE NUMBER 1254-01

KEY PART NO.	NO.	DESCRIPTION	KEY PART NO.	NO.	DESCRIPTION
1	494533	Cylinder Assembly	45	261368	Tappet, Valve
2	399265	Bearing, Cylinder	46	213421	Gear, Cam
3	391086	Seal, Oil	50	213290	Manifold, Intake
5-1	493457	Head, Cylinder Number 1	51	271412	*** Gasket, Carburetor & Intake Elbow
5-2	493458	Head, Cylinder Number 2	51A	280319	Spacer, Carburetor
7-1	271867	* Gasket, Cylinder Head Number 1	52	270884	* Gasket, Intake Manifold Mounting
7-2	271868	* Gasket, Cylinder Head Number 2	53	93970	Screw, Sems, Carburetor Mounting
8-1	398065	Breather Assembly Number 1	54	93208	Screw, Sems, Intake Manifold Mnt.
8-2	222892	Cover, Breather, Cylinder Number 2 (Use with Key Number 572, Air Baffle with Mounting Holes)	75	222511	Washer, Spring
			78	94326	Screw, Sems
9	27803	* Gasket, Valve Cover	81	223016	Lock, Muffler Screw
10	94382	Screw, Sems	90	495181	Carburetor Assembly
11	280225	Tube, Breather	91	495035	Body Assembly, Upper Carburetor
12	271703	* Gasket, Crankcase Cover 1/64"	93	231209	Bushing, Throttle Shaft
	271188	* Gasket, Crankcase Cover .005"	94	491538	** Valve Assembly, Carburetor Idle
	271189	* Gasket, Crankcase Cover .009"	95	93499	Screw, Sems, Throttle and Choke Valve Mounting
13	94565	Screw, Cylinder Head	96	221939	Valve, Throttle
15	94239	Plug, Oil Drain	97	392672	Shaft and Lever, Throttle
15A	94497	Plug, Pipe	98	91920	Screw, Machine, Fillister Head
16	394028	Crankshaft	99	26157	Spring, Throttle Adjustment
	94196	Key, Timing Gear	102	271607	** Gasket, Carburetor Body
18	493304	Base Assembly, Crankcase	103	298514	Float, Carburetor
20	291675	Seal, Oil	104	230896	** Pin, Float Hinge
21	399195	Seal Assembly, Cylinder Plug	105	394683	** Valve, Fuel Inlet
22	90887	Screw, Sems, Crankcase Cover Mounting Uses: 92268 Washer, Lock	107	491543	Body, Lower Carburetor
			108	223534	Valve, Choke
23	491180	Flywheel and Ring Gear Assembly, Magneto	109	392673	Shaft and Lever, Choke
			116	280474	O-Ring
24	222698	Key, Flywheel	117	231338	Jet, Needle Valve
25	394955	Piston Assembly, Standard	119	94152	Screw, Sems, Hex Head
	394956	Piston Assembly .010" Oversize	120	92290	Washer, Lock
	394957	Piston Assembly .020" Oversize	121	491539	Carburetor Overhaul Kit
	394958	Piston Assembly .030" Oversize	127	223472	Plug, Welch
26	394959	Ring Set, Piston, Standard	161	398826	Body, Air Cleaner
	394960	Ring Set, Piston .010" Oversize	165	94289	Nut, Wing
	394961	Ring Set, Piston .020" Oversize	187	299146	Line, Fuel, 28" (Cut to Suit)
	394962	Ring Set, Piston .030" Oversize	188	93535	Screw, Hex Head
27	260924	Lock, Piston Pin	201	262683	Link, Governor
28	299691	Pin Assembly, Piston, Standard	202	262684	Link, Throttle
	391286	Pin Assy., Piston .005" Oversize	203	280997	Crank, Bell
29	394306	Rod Assembly, Connecting	203A	490207	Crank, Bell
	397158	Rod Assembly, Connecting, .020" Undersize Crankpin Bore	205	93971	Screw, Shoulder
32	94671	Screw, Connecting Rod	206	94298	Nut, Square
33	390420	Valve, Exhaust	207	262337	Spring, Compression
34	261528	Valve, Intake Uses: 393606 Seal Assembly and Retainer (Key Number 868)	209	262351	Spring, Governor
			209A	261563	Spring, Governor Idle
35	65906	Spring, Intake Valve			* Included in Gasket Set (491856)
36	26828	Spring, Exhaust Valve			** Included in Carburetor Overhaul Kit (491539)
40	221596	Retainer, Intake Valve			*** Included in both Gasket Set (491856), and Carburetor Overhaul Kit (491539)
41	292260	Rotocoil, Exhaust Valve			
42	93630	Retainer, Exhaust Valve Rotocoil(2)			

NOTE: All component dimensions given in U.S. inches
1 inch = 25.4 mm

REPAIR PARTS

18 HP 44" TRACTOR - - MODEL NUMBER 917.255942

ENGINE BRIGGS & STRATTON - MODEL NUMBER 0422707, TYPE NUMBER 1254-01

KEY PART NO. NO.	DESCRIPTION	KEY PART NO. NO.	DESCRIPTION
216 262375	Link	524A 271485	Seal, Tube
219 393415	Oil Slinger Assembly	525 495348	Tube, Oil Filler
219A 394348	Gear, Governor	528 393815	Impulse Line and Clamp Assembly
220 222773	Washer, Thrust	535 271271	Element, Air Cleaner
222 491282	Plate Assembly, Governor Control	537 271411	*** Gasket, Air Cleaner
224 94297	Screw, Pan Head	552 262332	Lower Bushing, Governor
227 491297	Lever Assembly, Governor	552A 262331	Upper Bushing, Governor
229 62199	Washer	556 93585	Screw, Sems, Hex Head
230 223882	Washer, Governor Crank, Inside	562 93853	Bolt, Governor Lever
232 262539	Spring, Governor Control	567 93777	Screw, Hex Head, Back Plate to Cylinder
235 224039	Shield, Spitback		
240 493629	Filter, Fuel (In Fuel Line to Tank)	569 270981	* Gasket, Crankcase
244 230318	Connector, Impulse Pump	572 224580	Baffle, Air, Cylinder Number 2
257 93897	Screw, Sems	573 491304	Back Plate Assembly
258 93949	Screw, Sems	592 92278	Nut, Hex
259 223890	Bracket, Cable	601 93053	Clamp, Fuel Line
265 221535	Clamp, Casing	615 94296	Retainer, E-Ring
267 93496	Screw, Hex Head	616 491530	Crank, Governor
284 94264	Screw, Hex Head	634 271013	** Washer, Throtte Shaft
284A 93469	Screw, Hex Head	634A 491287	Seal, Governor Shaft
304 492656	Housing, Blower	635 66538	Elbow, Spark Plug
305 94608	Screw, Sems 1/2	642 223579	Cover, Air Cleaner
	94513	643 223714	Cartridge Plate, Air Cleaner
306-1 222846	Shield, Cylinder	726 391362	Gear, Flywheel Ring (Includes Mounting Parts)
306-2 223734	Shield, Cylinder		
307 94386	Screw, Sems	741 262694	Gear, Timing
308-1 222848	Cover, Air Guide	819 94675	Screw, Hex Head
308-2 222849	Cover, Air Guide	842 271170	Seal, Oil Filler Cap
309 - - -	Motor, Starting (See Chart on Illustrated Pages for Part Numbers)	847 394394	Dipstick and Tube Assembly
		851 221798	Terminal, Ignition Cable
319 394988	Armature Assembly	858 270989	**** Diaphragm, Damping
332 230674	Nut, Hex	859 271025	**** Gasket, Carburetor Pump
333 394891	Armature Group, MAGNETRON® Ignition	860 261358	**** Spring (2)
		861 393397	Repair Kit, Pump
334 93381	Screw, Sems, Armature Mounting	868 393606	Seal Assembly and Retainer
337 802592	Plug, Spark, Resistor (with Gasket)	869 261463	Seat, Intake Valve, Standard
356 494705	Wire, Ground	870 213316	Seat, Exhaust Valve, Standard
358 491856	Gasket Set	871 261961	Guide, Exhaust Valve
363 19203	Puller, Flywheel (Optional Accy.)		231218
383 89838	Wrench, Spark Plug	877 393456	Guide, Intake Valve (See Manual)
387 280197	Body, Pump	881 212455	Connector Assembly
392 261395	**** Spring, Pump	955 397882	Cover Plate, Crankcase
394 270988	**** Diaphragm	1005 280815	Plug and Seal, Solenoid
414 223882	Washer	1006 224413	Fan, Flywheel
422 222875	Clamp, Oil Filler	1019 491262	Retainer, Fan
432 221377	**** Cap, Spring		Decal Kit
434 223688	Cover, Diaphragm		
435 93829	Screw, Diaphragm Cover		
445 394019	Cartridge, Air Cleaner		
467 493903	Knob, Air Cleaner		
468 224521	Screen, Flush Rotating		
474 393474	Stator, Alternator, Dual Circuit		
482 93621	Screw, Sems		
523 494927	Cap and Dipstick, Oil Filler		
524 271157	Seal, Filler Tube		

* Included in Gasket Set (491856)
 ** Included in Carburetor Overhaul Kit (491539)
 *** Included in both Gasket Set (491856), and
 Carburetor Overhaul Kit (491539)
 **** Included in both Carburetor Overhaul Kit (491539),
 and Pump Repair Kit (393397)

NOTE: All component dimensions given in U.S. inches
 1 inch = 25.4 mm

SERVICE NOTES
