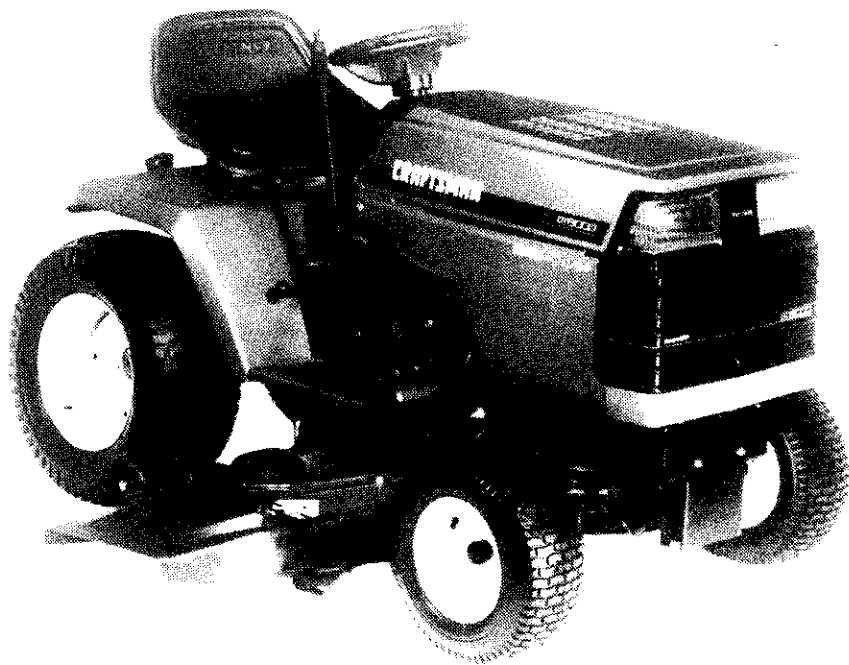


**SEARS**

**OWNER'S  
MANUAL**

**MODEL NO.  
917.255960**

**Caution:**  
Read and follow  
all Safety Rules  
and Instructions  
Before Operating  
This Equipment



**CRAFTSMAN®**

**18.0 HP TWIN CYLINDER  
ELECTRIC START  
44" MOWER  
6 SPEED  
GARDEN TRACTOR**

- Assembly
- Operation
- Customer Responsibilities
- Service and Adjustment
- Repair Parts

---

Sears, Roebuck and Co., Chicago, IL 60684 U.S.A.

---



# SAFETY RULES

## Safe Operation Practices for Ride-On Mowers



**IMPORTANT:** THIS CUTTING MACHINE IS CAPABLE OF AMPUTATING HANDS AND FEET AND THROWING OBJECTS. FAILURE TO OBSERVE THE FOLLOWING SAFETY INSTRUCTIONS COULD RESULT IN SERIOUS INJURY OR DEATH.

### I. GENERAL OPERATION

- Read, understand, and follow all instructions in the manual and on the machine before starting.
- Only allow responsible adults, who are familiar with the instructions, to operate the machine.
- Clear the area of objects such as rocks, toys, wire, etc., which could be picked up and thrown by the blade.
- Be sure the area is clear of other people before mowing. Stop machine if anyone enters the area.
- Never carry passengers.
- Do not mow in reverse unless absolutely necessary. Always look down and behind before and while backing.
- Be aware of the mower discharge direction and do not point it at anyone. Do not operate the mower without either the entire grass catcher or the guard in place.
- Slow down before turning.
- Never leave a running machine unattended. Always turn off blades, set parking brake, stop engine, and remove keys before dismounting.
- Turn off blades when not mowing.
- Stop engine before removing grass catcher or unclogging chute.
- Mow only in daylight or good artificial light.
- Do not operate the machine while under the influence of alcohol or drugs.
- Watch for traffic when operating near or crossing roadways.
- Use extra care when loading or unloading the machine into a trailer or truck.

### II. SLOPE OPERATION

Slopes are a major factor related to loss-of-control and tipover accidents, which can result in severe injury or death. All slopes require extra caution. If you cannot back up the slope or if you feel uneasy on it, do not mow it.

#### DO:

- Mow up and down slopes, not across.
- Remove obstacles such as rocks, tree limbs, etc.
- Watch for holes, ruts, or bumps. Uneven terrain could overturn the machine. *Tall grass can hide obstacles.*
- Use slow speed. Choose a low gear so that you will not have to stop or shift while on the slope.
- Follow the manufacturer's recommendations for wheel weights or counterweights to improve stability.
- Use extra care with grass catchers or other attachments. These can change the stability of the machine.
- Keep all movement on the slopes *slow* and *gradual*. Do not make sudden changes in speed or direction.
- Avoid starting or stopping on a slope. If tires lose traction, disengage the blades and proceed slowly *straight* down the slope.

#### DO NOT:

- *Do not* turn on slopes unless necessary, and then, turn slowly and gradually downhill, if possible.
- *Do not* mow near drop-offs, ditches, or embankments. The mower could suddenly turn over if a wheel is over the edge of a cliff or ditch, or if an edge caves in.
- *Do not* mow on wet grass. Reduced traction could cause sliding.
- *Do not* try to stabilize the machine by putting your foot on the ground.
- *Do not* use grass catcher on steep slopes.

### III. CHILDREN

Tragic accidents can occur if the operator is not alert to the presence of children. Children are often attracted to the machine and the mowing activity. *Never* assume that children will remain where you last saw them.

- Keep children out of the mowing area and under the watchful care of another responsible adult.
- Be alert and turn machine off if children enter the area.
- Before and when backing, look behind and *down* for small children.
- Never carry children. They may fall off and be seriously injured or interfere with the safe machine operation.
- Never allow children to operate the machine.
- Use extra care when approaching blind corners, shrubs, trees, or other objects that may obscure vision.

### IV. SERVICE

- Use extra care in handling gasoline and other fuels. They are flammable and vapors are explosive.
  - Use only an approved container.
  - Never remove gas cap or add fuel with the engine running. Allow engine to cool before refueling. Do not smoke.
  - Never refuel the machine indoors.
  - Never store the machine or fuel container inside where there is an open flame, such as a water heater.
- Never run a machine inside a closed area.
- Keep nuts and bolts, especially blade attachment bolts, tight and keep equipment in good condition.
- Never tamper with safety devices. Check their proper operation regularly.
- Keep machine free of grass, leaves, or other debris build-up. Clean oil or fuel spillage. Allow machine to cool before storing.
- Stop and inspect the equipment if you strike an object. Repair, if necessary, before restarting.
- Never make adjustments or repairs with the engine running.
- Grass catcher components are subject to wear, damage, and deterioration, which could expose moving parts or allow objects to be thrown. Frequently check components and replace with manufacturer's recommended parts, when necessary.
- Mower blades are sharp and can cut. Wrap the blade(s) or wear gloves, and use extra caution when servicing them.
- Check brake operation frequently. Adjust and service as required.



Look for this symbol to point out important safety precautions. It means **CAUTION!!! BECOME ALERT!!! YOUR SAFETY IS INVOLVED.**

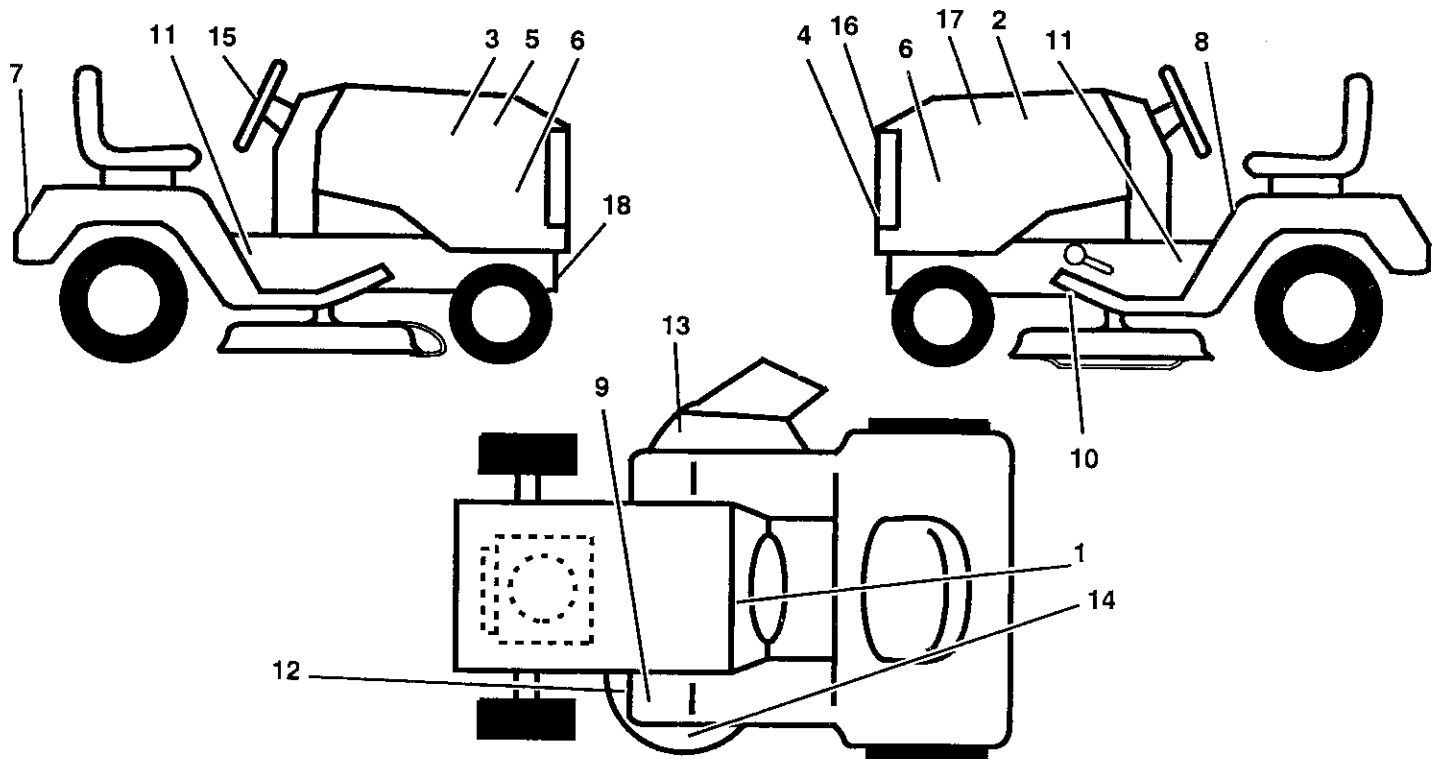


**CAUTION:** Always disconnect spark plug wire and place wire where it cannot contact spark plug in order to prevent accidental starting when setting up, transporting, adjusting or making repairs.

# REPAIR PARTS

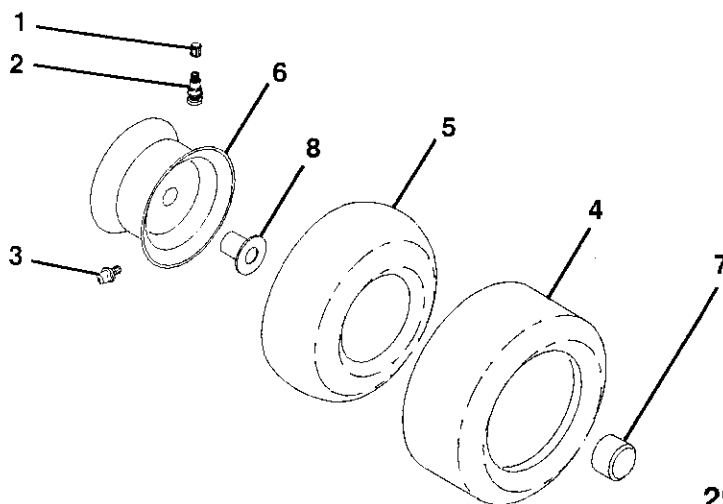
## 18 HP 44" RIDING GARDEN TRACTOR - - MODEL NUMBER 917.255960

### DECALS



KEY NO.	PART NO.	DESCRIPTION	KEY NO.	PART NO.	DESCRIPTION
1	108456X	Decal, Instruction Operating, Dash	11	105567X	Decal, Chassis Speed/Deck Size
2	128491	Decal, Hood Stripe L.H.	12	106624X	Decal, Mower Drive Belt
3	128490	Decal, Hood Stripe R.H.	13	121343X	Decal, Danger
4	105806X	Decal Grill	14	3713J	Decal, Rotating Blades
5	106814X	Decal, Panel Side R.H.	15	132266	Decal, Steering Wheel Insert
6	128538	Decal, II	16	132270	Decal, Stripe, Grill
7	128314	Decal, Fender	17	106813X	Decal, Side Panel, L.H.
8	106974X	Decal, Caution	18	108367X	Decal, Belt Adjustment
9	4900J	Decal Clutch/brake	—	133108	Manual Owner's
10	131283	Decal, V-Belt Drive	—	101539X	Sheet Instruction Tractor 15° Slope

### WHEELS & TIRES



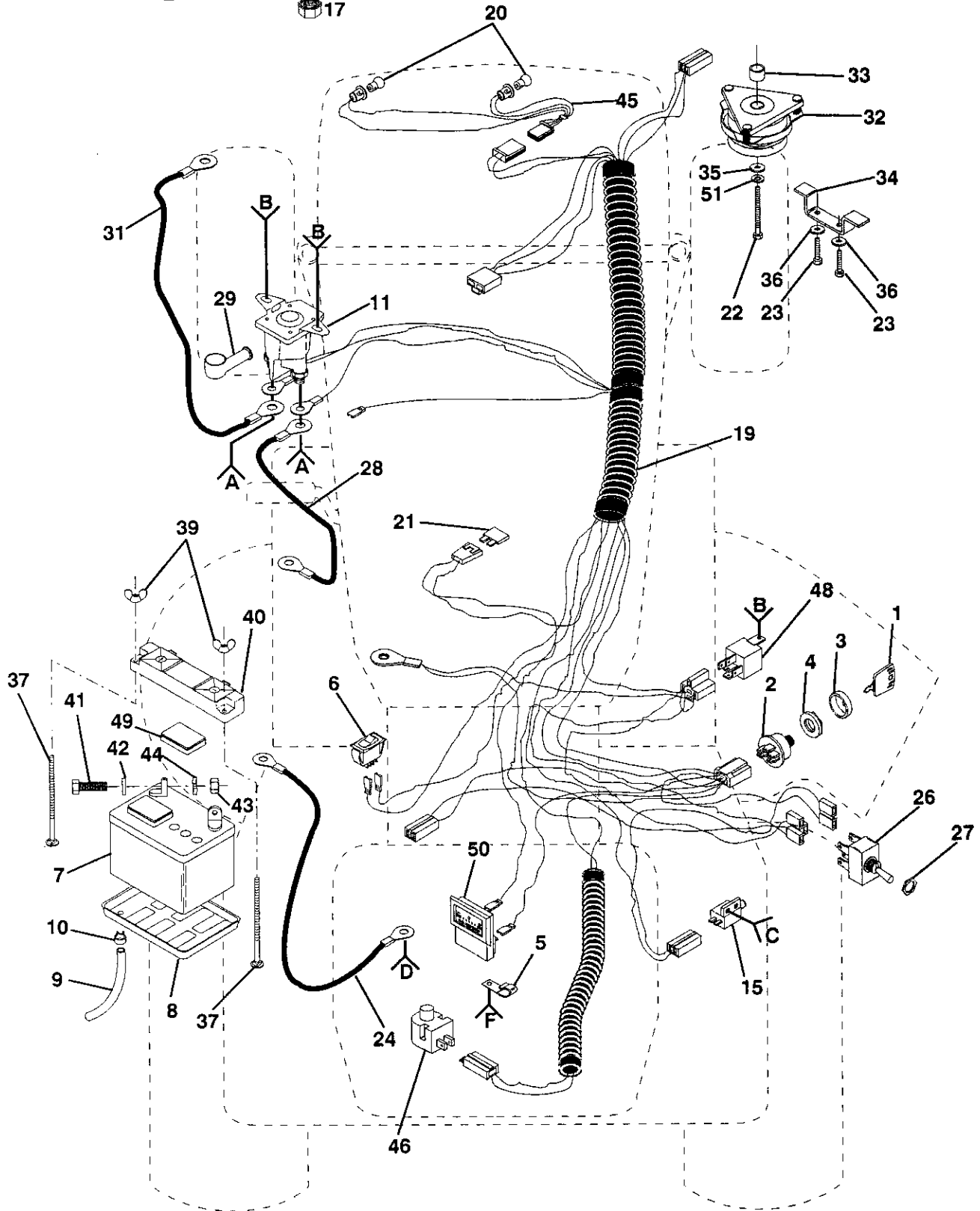
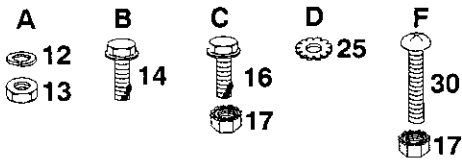
KEY NO.	PART NO.	DESCRIPTION
1	59192	Cap, Valve
2	65139	Stem, Valve
3	278H	Fitting, Grease (Front Wheels Only)
4	105588X	Tire, Rear
4	106230X	Tire, Front
5	7154J	Tube, Rear (Optional, Service Item Only)
5	8134H	Tube, Front (Optional, Service Item Only)
6	3635R	Rim Assembly, Rear
6	122974X	Rim Assembly, Front
7	104757X	Cap Axle
8	9040H	Bearing, Flange (Front Wheels Only)

**NOTE:** All component dimensions given in U.S. inches.  
1 inch - 25.4 mm.

# REPAIR PARTS

18 HP 44" RIDING GARDEN TRACTOR -- MODEL NUMBER 917.255960

## ELECTRICAL



# REPAIR PARTS

## 18 HP 44" RIDING GARDEN TRACTOR - - MODEL NUMBER 917.255960

### ELECTRICAL

KEY PART NO. NO.	DESCRIPTION	KEY PART NO. NO.	DESCRIPTION
1	109310X Key	27	4022J Nut, Hex
2	STD365402 * Switch, Ignition	28	4799J Cable, Battery
3	123620X Cover, Switch Key	29	131563 Cover Terminal
4	124211X Nut, Ignition	30	74641008 Screw #10-32 x 1/2
5	4171R Clip	31	129458 Cable, Starter
6	110712X Switch, Light	32	109550X Clutch, Electric
7	121537X Battery	33	106367X Spacer, Clutch
8	7603J Tray, Battery	34	110882X Stop, Clutch
9	100541K Tube, Drain	35	126197X Washer 1-1/2 x 15/32 x .250
10	109596X Clamp, Hose	36	STD551137 * Washer, Lock 3/8
11	109081X Solenoid	37	72240460 Bolt, Carriage 1/4-20 x 7-1/2
12	10090400 Washer, Lock 1/4	39	123198X * Nut, Wing 1/4-20
13	STD541225 * Nut, Hex Jam 1/4-20	40	102476X Guard, Terminal
14	17190408 Screw, Hex Washer Thread Cutting 1/4-20 x 1/2	41	STD522507 * Bolt, Hex 1/4-20 x 3/4
15	104445X Switch, Interlock	42	STD551025 * Washer 9/32 x 5/8 x 16 Gauge
16	71031008 Screw, Hex Washer #10-32 x 1/2	43	STD541025 * Nut, Hex 1/4-20
17	73951000 Nut, Keps #10-32	44	STD551125 * Washer, Lock 1/4
19	128386 Harness, Ignition	45	127441X Harness, Light Socket
20	4152J Bulb, Headlight	46	121305X Switch, Plunger
21	108824X Fuse	48	109748X Relay, Operator Presence
22	71130724 Bolt, Hex Fin 7/16-20 UNF x 1-1/2 Grade 8	49	121264X Cap Set, Battery
23	STD523707 * Bolt, Hex 3/8-16 x 3/4	50	122822X Ammeter
24	121080X Cable, Ground	51	10040700 Washer, Lock Hvy Helical Spring 7/16
25	11050600 Washer, Lock, Ext. Tooth 3/8"		
26	4021J Switch, P.T.O.		

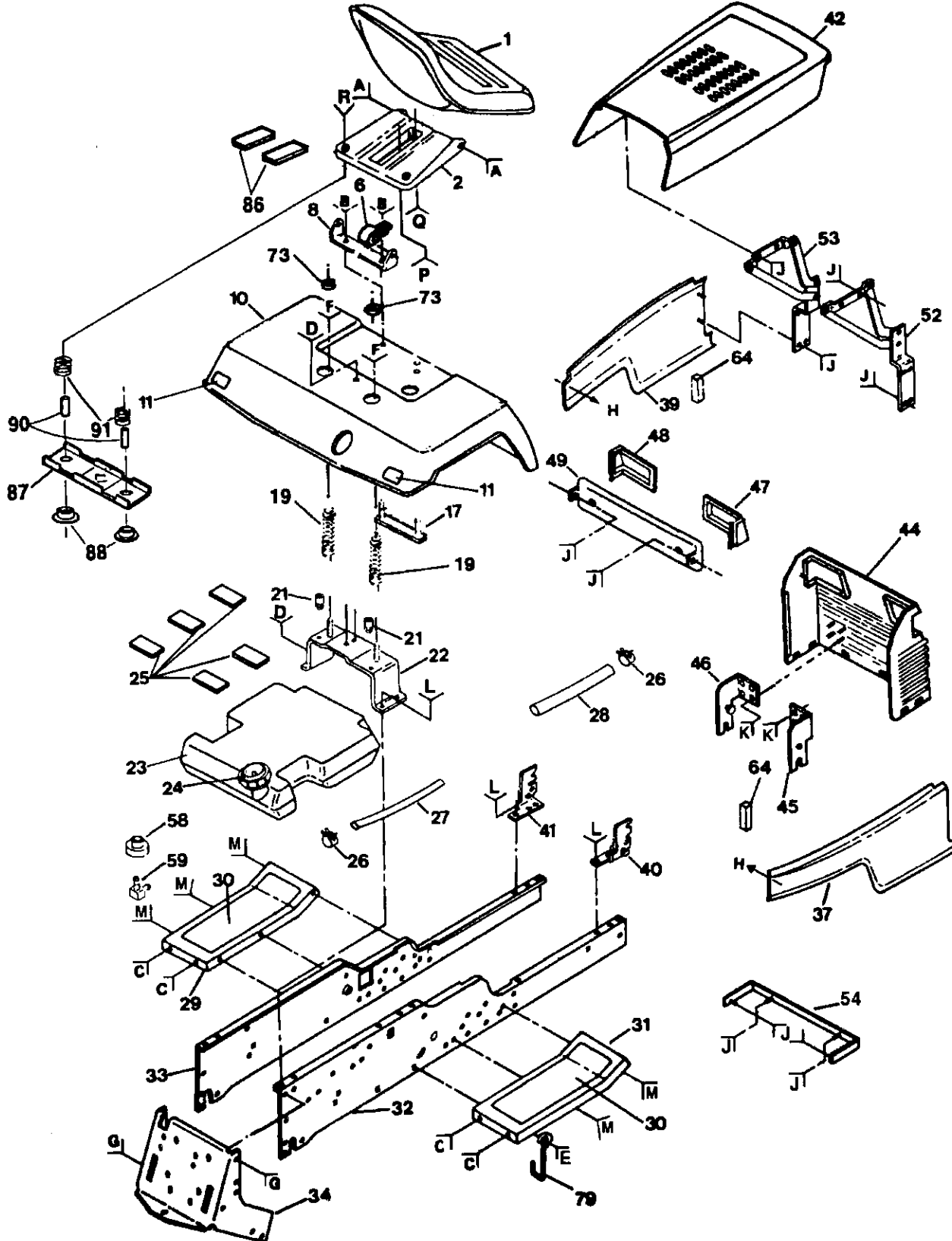
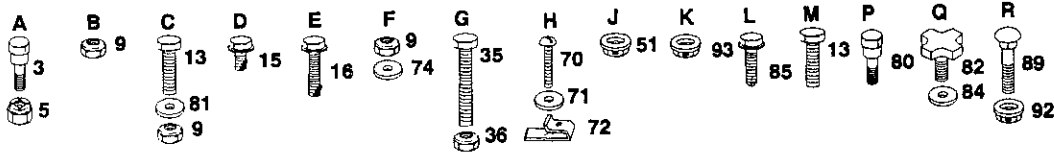
\* STANDARD HARDWARE -- PURCHASE LOCALLY

**NOTE:** All component dimensions given in U.S. inches.  
1 inch = 25.4 mm

# REPAIR PARTS

## 18 HP 44" RIDING GARDEN TRACTOR -- MODEL NUMBER 917.255960

### CHASSIS AND ENCLOSURES



# REPAIR PARTS

## 18 HP 44" RIDING GARDEN TRACTOR - - MODEL NUMBER 917.255960

### CHASSIS AND ENCLOSURES

KEY PART NO.	NO.	DESCRIPTION	KEY PART NO.	NO.	DESCRIPTION
1	127438X	Seat	45	108512X	Bracket, Pivot, Grill, R.H.
2	124294X	Pan, Seat	46	108513X	Bracket, Pivot, Grill, L.H.
3	105529X	Bolt, Shoulder	47	106003X	Lens, R.H.
5	73680500	Nut, Crownlock 5/16-18	48	106004X	Lens, L.H.
6	2751R	Clip	49	132257	Bezel
8	126656X	Bracket, Pivot, Seat	51	108067X	Nut, Pal
9	73680600	Locknut 3/8-16	52	106091X	Hinge, R.H.
10	121642X459	Fender	53	106090X	Hinge, L.H.
11	106202X	Reflector, Taillight	54	110350X459	Strap, Grill
13	STD523707 *	Bolt, Hex 3/8-16 x 3/4	58	3645J	Bushing
15	17490608	Screw, Hex Washer Thread Rolling 3/8-16 x 1/2	59	8710J	Stem, Tank, Fuel
16	17490616	Screw, Hex Washer Thread Rolling 3/8-16 x 1	64	106088X	Strip, Foam
17	105511X	Strap, Fender	70	106909X	Screw, Special
19	124181X	Spring, Compression	71	106910X	Washer
21	105531X	Nut, Push	72	108402X	U-Clip
22	105509X	Bracket, Fender	73	124238X	Cap, Spring
23	106020X	Tank, Fuel	74	19131614	Washer 13/32 x 1 x 14 Gauge
24	123549X	Cap, Fuel	79	105500X	Retainer, Belt, Lower
25	106082X	Pad, Spacer	80	127018X	Bolt, Shoulder 5/16-18 UNC
26	123487X	Clamp, Hose	81	19131312	Washer 13/32 x 13/16 x 12 Gauge
27	7834R	Line, Fuel	82	120068X	Knob
28	7833R	Line, Fuel	84	19171912	Washer 17/32 x 1-3/16 x 12 Gauge
29	105465X459	Footrest, L.H.	85	17490612	Screw, Hex Trd. Roll 3/8 x 16 x 3/4
30	105466X	Pad, Footrest	86	121251X	Strip, Foam
31	105464X459	Footrest, R.H.	87	121246X	Bracket, Switch
32	110892X	Rail, Frame, R.H.	88	121248X	Bushing, Snap
33	110893X	Rail, Frame, L.H.	89	72050411	Bolt, Carriage 1/4-20 x 1-3/8
34	7982J	Drawbar	90	121249X	Spacer, Split
35	74760716	Bolt, Hex 7/16-14 x 1	91	121250X	Spring
36	73680700	Locknut 7/16-14	92	123976X	Nut, Hex Flange 1/4-20
37	108403X459	Panel, Side, R.H.	93	120579X	Nut, Pal
39	108410X459	Panel, Side, L.H.			
40	130523	Bracket, Pivot, Frame, R.H.			
41	121055X	Bracket, Pivot, Frame, L.H.			
42	106013X459	Hood			
44	105528X	Grill			

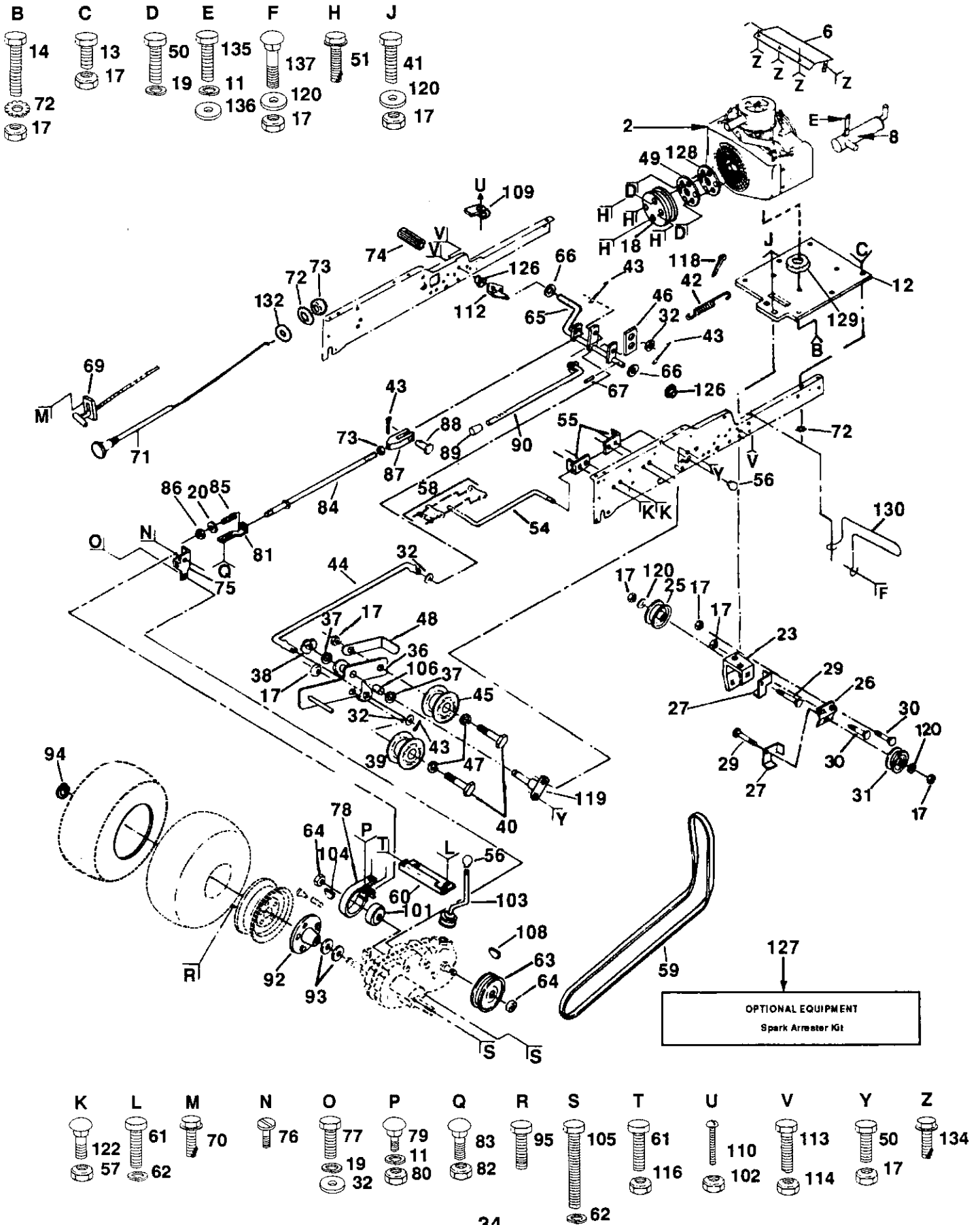
\* STANDARD HARDWARE -- PURCHASE LOCALLY

**NOTE:** All component dimensions given in U.S. inches.  
1 inch = 25.4 mm

# REPAIR PARTS

## 18 HP 44" RIDING GARDEN TRACTOR - - MODEL NUMBER 917.255960

### GROUND DRIVE





# REPAIR PARTS

## 18 HP 44" RIDING GARDEN TRACTOR - - MODEL NUMBER 917.255960

### GROUND DRIVE

KEY PART NO. NO.	DESCRIPTION	KEY PART NO. NO.	DESCRIPTION
2 128387	Engine, Kohler M18S-24665	75 677A637	Bracket, Brake
6 128124	Shield, Heat, Front	76 74370612	Screw, Mach., Unct. Fl. Hd. 3/8-16 x 3/4
8 127881	Muffler	77 74760614	Bolt, Hex 3/8-16 x 7/8
11 STD551125	* Washer, Lock 1/4	78 101122M	Band, Brake
12 110867X	Base, Engine	79 72140405	Bolt, Carriage 1/4-20 x 5/8
13 STD523707	* Bolt, Hex 3/8-16 x 3/4	80 STD541025	* Nut, Hex 1/4-20
14 74780624	Bolt, 3/8-16 x 1-1/2	81 7229J	Guide, Rod, Brake
17 73680600	Locknut 3/8-16	82 1685H	Locknut 5/16-18
18 121355X	Pulley, Drive, Ground	83 STD533110	* Bolt, Carriage 5/16-18 x 3/4
19 STD551137	* Washer, Lock 3/8	84 5308J	Rod, Brake
20 19131614	Washer 13/32 x 1 x 14 Gauge	85 7241J	Spring, Compression
23 121063X	Bracket, V-Pulley, Drive, Mule	86 73530600	Nut, Crownlock 3/8-24
25 101344L	Pulley	87 100604K	Yoke
26 122825X	Bracket, Idler, Flat	88 5102J	Pin, Clevis
27 122824X	Guard, Belt, Drive, Mule	89 124236X	Cap, Plunger
29 72110614	Bolt, Carriage 3/8-16 x 1-3/4 Ga.	90 109767X	Rod, Brake, Parking
30 72140606	Bolt, Carriage 3/8-16 x 3/4	92 634A692	Hub, Wheel and Bushing
31 102403X	Idler, Flat	93 7563R	Washer, Thrust, Axle
32 STD551037	* Washer 13/32 x 13/16 x 16 Gauge	94 12000034	Ring, Klip
36 121356X	Bracket, Clutch w/Bearing (Inc. Key No. 106)	95 1304H	Bolt, Hub
37 207J	Washer, Hardened	101 214J	Drum, Brake
38 12000039	Ring, Klip	102 STD541410	* Locknut #10-24
39 121361X	Idler, Grooved	103 633A109	Assembly, Lever Shift, Gear
40 STD523715	* Bolt, Hex 3/8-16 x 1-3/4	104 2228M	Key, Woodruff
41 74760620	Bolt, Hex 3/8-16 x 1-1/4	105 74760720	Bolt, Hex 7/16-14 x 1-1/4
42 121357X	Spring, Extension Clutch	106 105706X	Bearing, Idler
43 STD570907	* Pin, Cotter 3/32 x 3/4	108 9858M1	Key, Woodruff
44 101356L	Rod, Clutch	109 5304J	Actuator, Switch, Interlock
45 104360X	Idler, Flat	110 74321016	Screw, Fin #10-24 x 1
46 121358X	Retainer, Spring	112 104601X	Bracket, Interlock
47 19131413	Washer 13/32 x 7/8 x 13 Gauge	113 STD522507	* Bolt, Hex 1/4-20 x 3/4
48 121360X	Retainer, Belt	114 73680400	Nut, Crownlock 1/4-20
49 104577X	Adapter	116 73680700	Nut, Crownlock 7/16-14
50 STD523710	* Bolt, Hex 3/8-16 x 1 Grade 5	118 76020816	Pin, Cotter 1/4 x 1
51 17190516	Screw, Hex Thd. Cut 5/16-18 x 1	119 101358K	Bracket, Assembly, Clutch
54 122253X	Rod, Shift, Hi-Lo	120 19131612	Washer 13/32 x 1 x 12 Gauge
55 105598X	Bracket, Rod, Shift	122 72140506	Bolt, Carriage 5/16-18 x 3/4
56 106932X	Knob	126 110895X	Nyliner
57 73680500	Locknut 5/16-18	127 120615X	Kit, Arrestor, Spark
58 122268X	Clip, Spring, Link, Connecting	128 110947X	Shaft Guard
59 110883X	V-Belt	129 110869X	Spacer, Plate, Mounting, Engine
60 120404X	Bracket, Support, Transaxle	130 108885X	Muffler, Guard
61 74760716	Bolt, Hex 7/16-14 x 1	132 19132616	Washer 13/32 x 1-5/8 x 16 Gauge
62 STD551143	* Washer, Lock 7/16	134 17720408	Screw, Hex, Thread Cut 1/4-20 x 1/2 T
63 120332X	Pulley, Transaxle	135 74780412	Bolt, Hex 1/4-20 x 3/4
64 9204H	Locknut 1/2-20	136 19091212	Washer 9/32 x 3/4 x 12 Gauge
65 104375X	Shaft, Pedal, Foot	137 72140610	Bolt, Carriage 3/8-16 x 1-1/4
66 121749X	Washer 25/32 x 1-1/4 x 16 Gauge		
67 STD571812	* Pin, Roll 3/16 x 1-14		
69 124559X	Control, Throttle		
70 17720410	Screw, Hex Thd. Cut 1/4-20 x 1		
71 121389X	Control, Choke		
72 11050600	Washer, Lock Ext. Tooth 3/8		
73 STD541137	* Nut, Hex 3/8-24		
74 8883R	Cover, Pedal		

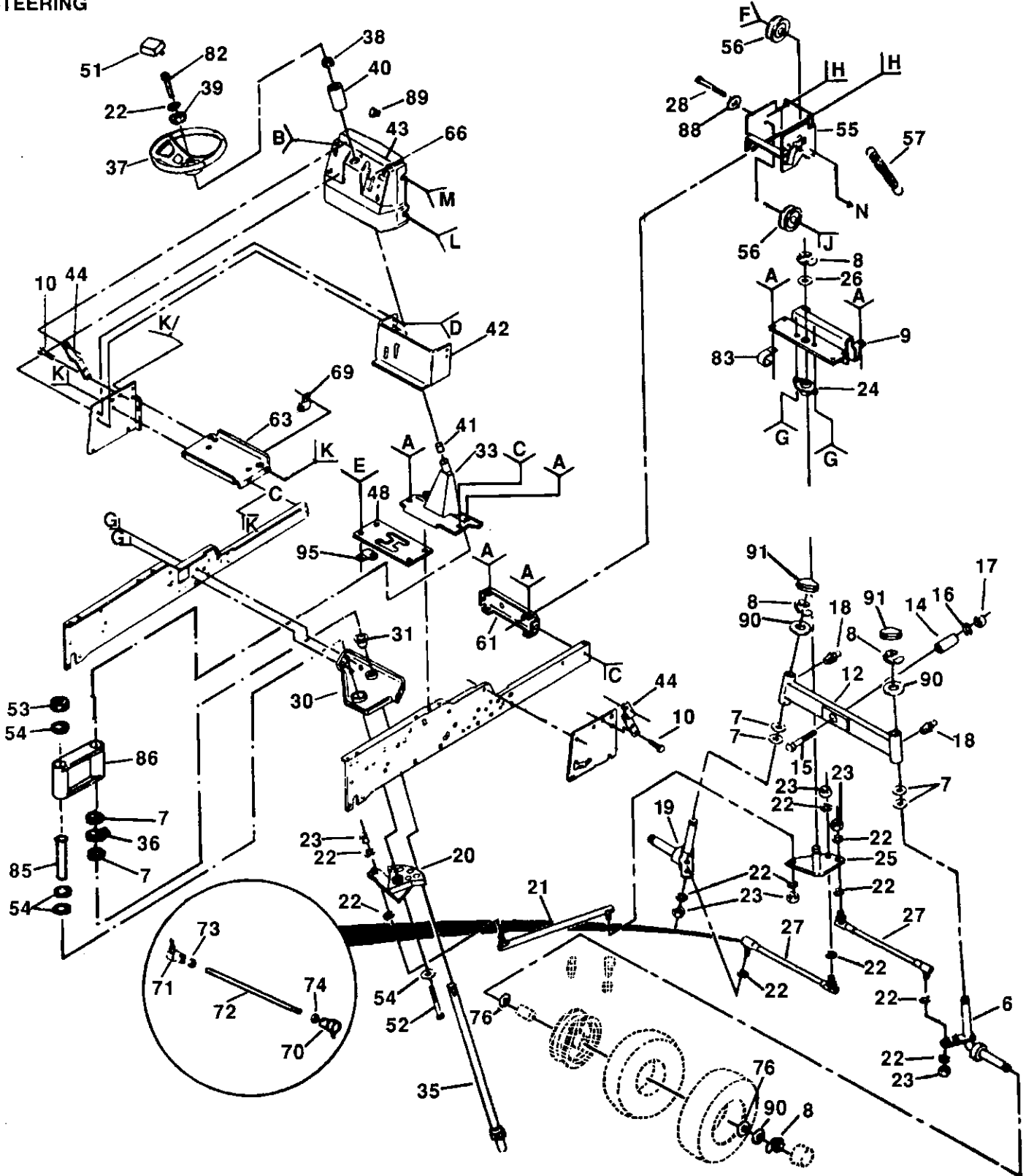
\* STANDARD HARDWARE -- PURCHASE LOCALLY

NOTE: All component dimensions given in U.S. inches.  
1 inch = 25.4 mm

# REPAIR PARTS

18 HP 44" RIDING GARDEN TRACTOR - - MODEL NUMBER 917.255960

## STEERING



- |          |          |          |          |          |          |          |          |          |          |          |          |          |
|----------|----------|----------|----------|----------|----------|----------|----------|----------|----------|----------|----------|----------|
| <b>A</b> | <b>B</b> | <b>C</b> | <b>D</b> | <b>E</b> | <b>F</b> | <b>G</b> | <b>H</b> | <b>J</b> | <b>K</b> | <b>L</b> | <b>M</b> | <b>N</b> |
| 10       | 92       | 34       | 11       | 49       | 58       | 82       | 60       | 59       | 75       | 46       | 32       | 78       |
| 11       | 93       |          |          |          | 29       | 11       | 22       | 22       | 62       | 45       | 45       | 80       |
|          | 94       |          |          |          | 59       |          | 68       | 60       |          | 47       | 22       | 81       |
|          |          |          |          |          | 22       |          | 22       |          |          | 22       | 60       | 62       |
|          |          |          |          |          | 60       |          | 60       |          |          | 22       |          |          |
|          |          |          |          |          |          |          |          |          |          | 60       |          |          |

# REPAIR PARTS

## 18 HP 44" RIDING GARDEN TRACTOR - - MODEL NUMBER 917.255960

### STEERING

KEY PART NO. NO.	DESCRIPTION	KEY PART NO. NO.	DESCRIPTION
6 121167X	Spindle, R.H.	51 126805X	Cap, Wheel, Steering
7 6266H	Bearing, Thrust	52 74780880	* Bolt, Hex 1/2-13 x 5
8 12000029	Ring, Klip	53 73680800	Locknut 1/2-13
9 5284J	Bracket, Axle	54 19172610	Washer 17/32 x 1-5/8 x 10
10 STD523707	* Bolt, Hex 3/8-16 x 3/4	55 120542X	Bracket, Idler
11 73680600	Locknut 3/8-16	56 677A451	Pulley, Idler
12 5297J	Axle, Front (Inc. Key #13)	57 7190J	Spring
14 5298J	Tube, Pivot, Axle	58 STD523720	* Bolt, Hex 3/8-16 x 2-1/4
15 74781044	Bolt, Hex 5/8-11 x 2-3/4 Grade 5	59 19131413	Washer 13/32 x 7/8 x 13 Gauge
16 STD551162	* Washer, Lock 5/8	60 STD541037	* Nut, Hex 3/8-16
17 STD541062	* Nut, Hex 5/8-11	61 5213J	Bracket, Frame, Front
18 6855M	Fitting, Grease	62 73680500	Nut, Crownlock 5/16-18
19 121168X	Spindle, L.H.	63 7985J	Support, Battery
20 120424X	Assembly, Sector	66 124557X011	Dashplate
21 110497X	Link, Drag	68 106615X	Pin, Mounting, Bracket, Idler
22 STD551137	* Washer, Lock 3/8	69 2751R	Clip
23 STD541137	* Nut, Hex 3/8-24	70 109850X	Joint, Rod, Tie, Thread R.H.
24 5292J	Bushing, Bellcrank	71 109851X	Joint, Rod, Tie, Thread L.H.
25 108137X	Bellcrank	72 7919J	Rod, Tie
26 19292016	Washer 29/32 x 1-1/4 x 16 Gauge	73 73700600	Nut, Hex Jam 3/8-24 L.H.
27 121159X	Rod, Tie	74 STD541337	* Nut, Hex Jam 3/8-24
28 STD523720	* Bolt, Hex 3/8-16 x 2 Grade 5	75 STD533107	* Bolt, Carriage 5/16-18 x 3/4
29 102933X	Spacer, Split	76 121749X	Washer 13/32 x 1-1/4 x 16 Gauge
30 102439X	Bracket, Support, Steering	78 74930516	Bolt, Hex 5/16-18 x 1
31 104239X	Bearing, Flanged	80 100644K	Bushing, Handle
32 72110608	Bolt, Carriage 3/8-16 x 1 Grade 5	81 19111416	Washer 11/32 x 7/8 x 16 Gauge
33 101274N	Support, Steering	82 STD523710	* Bolt, Hex 3/8-16 x 1 Grade 5
34 17490612	Screw, Hex Washer Thd. Rolling 3/8-16 x 3/4	83 100207K	Clip 3/8
35 102458X	Shaft, Steering	85 120199X	Tube
36 12000034	Ring, Klip	86 121177X	Collar
37 121472X	Wheel, Steering	88 19132007	Washer 13/32 x 1-1/4 x 7 Gauge
38 100711L	Adapter, Steering	89 8022J	Plug, Dash
39 19133808	Washer	90 121748X	Washer 25/32 x 1-5/8 x 16 Gauge
40 121050X	Sleeve, Steering	91 121232X	Cap, Spindle
41 9038R	Bearing	92 74180412	Screw, Mach. Cr. 1/4-20 x 3/4
42 105519X	Dash, Lower	93 19091216	Washer 9/32 x 3/4 x 16 Gauge
43 120028X	Dash	94 73510400	Nut, Hex Keps 1/4-20
44 105525X	Bracket, Support, Dash	95 4171R	Clip
45 19171416	Washer 17/32 x 7/8 x 16 Gauge		
46 72110622	Bolt, Carriage 3/8-16 x 2-3/4		
47 121235X	Spacer		
48 106042X012	Cover, Gate, Shift		
49 17720408	Screw, Hex Washer Thd. Cut 1/4-20 x 1/2		

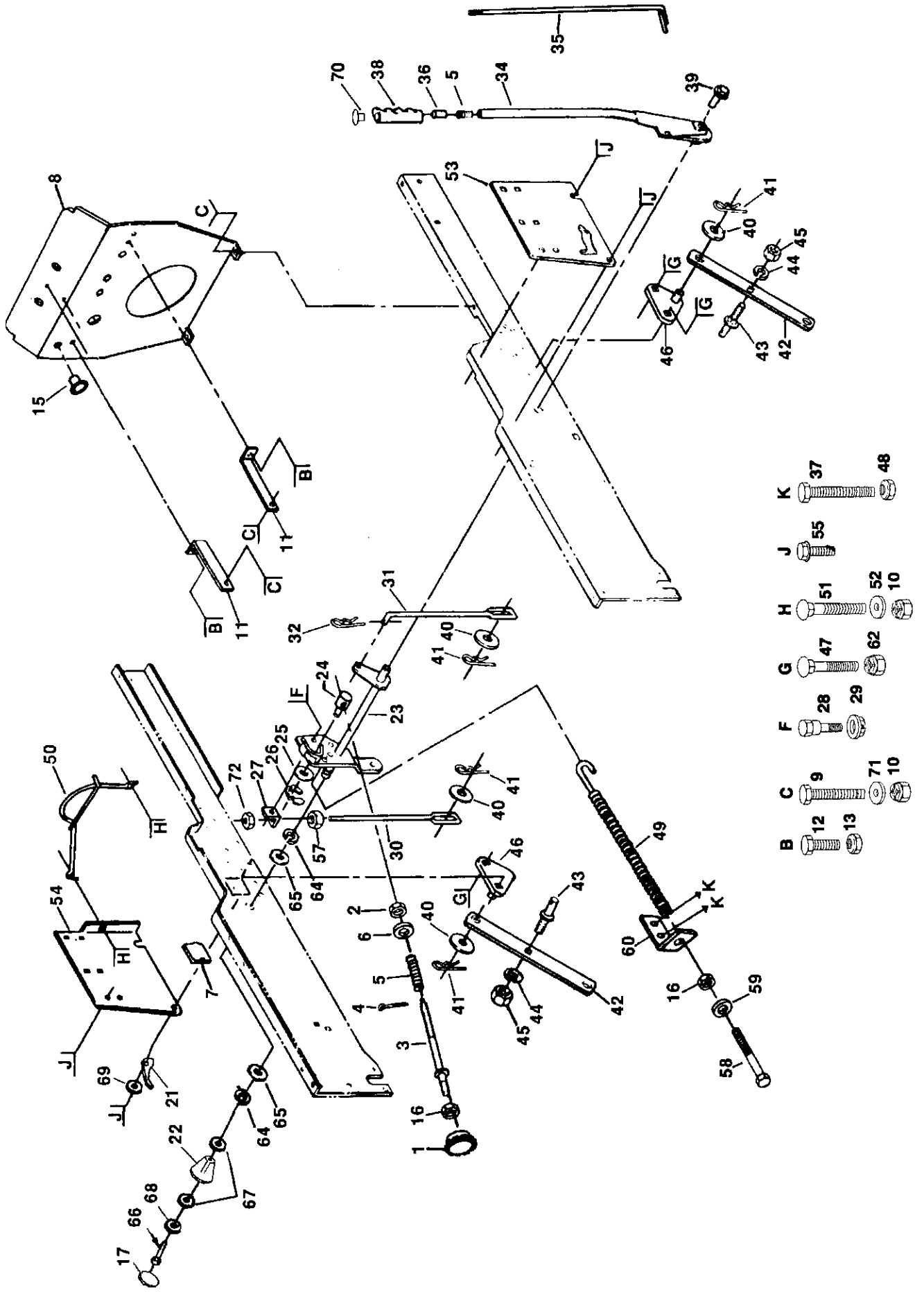
\* STANDARD HARDWARE -- PURCHASE LOCALLY

**NOTE:** All component dimensions given in U.S. inches.  
1 inch = 25.4 mm

# REPAIR PARTS

18 HP 44" RIDING GARDEN TRACTOR -- MODEL NUMBER 917.255960

MOWER LIFT



# REPAIR PARTS

## 18 HP 44" RIDING GARDEN TRACTOR - - MODEL NUMBER 917.255960 MOWER LIFT

KEY PART NO. NO.	DESCRIPTION	KEY PART NO. NO.	DESCRIPTION	
1	100734K	41	9135R	Spring, Retainer
2	110807X	42	105429X	Arm, Suspension
3	110811X	43	105413X	Stud, Pivot Center
4	76020308	44	STD551150	*Washer, Lock 1/2
5	2876H	45	STD541050	*Nut, Hex 1/2-13
6	19131016	46	105501X	Bracket, Suspension, Mower
7	121794X	47	STD533707	*Bolt, Carriage 3/8-16 x 3/4
8	127808	48	73680600	Locknut 3/8-16
9	STD523107	49	674A247	Spring Assembly - Assist, Lift
10	73680500	50	126651X	Guard, Belt, Engine
11	128278	51	STD533110	*Bolt, Carriage 5/16-18 x 1
12	STD522505	52	19111610	Washer 11/32 x 1 x 10 Gauge
13	73680400	53	121045X	Panel, Pnt. Side R.H.
15	110436X	54	121046X	Panel, Pnt. Side L.H.
16	73350600	55	17490608	Bolt, Hex Washer Thd. Rolling 3/8-16 x 1/2
17	123935X	57	STD541037	*Nut, Hex 3/8-16
21	123933X394	58	5328J	Bolt, Adjust, Spring, Assist
22	123934X	59	STD551037	*Washer 13/32 x 13/16 x 16 Gauge
23	124217X	60	5329J	Bracket, Spring, Assist
24	110810X	62	73930600	Nut, Centerlock 3/8-16
25	19151216	64	1200022	Ring, Klip
26	12000037	65	19292016	Washer 29/32 x 1-1/4 x 16 Gauge
27	7594J	66	74780516	Bolt, Hex 5/16-18 UNC x 1
28	7901J	67	19112410	Washer 11/32 x 1-1/2 x 10 Ga.
29	73900400	68	STD551131	Washer, Lock
30	7596J	69	120529X	Washer, Nylon
31	105503X	70	122365X	Button, Plunger Red
32	4939M	71	19111216	Washer 11/32 x 3/4 x 16 Gauge
34	121002X	72	73800600	Locknut, Hex w/Wsh 3/8-16
35	121006X			
36	122364X			
37	STD523710			
38	125631X			
39	74760624			
40	STD551050			

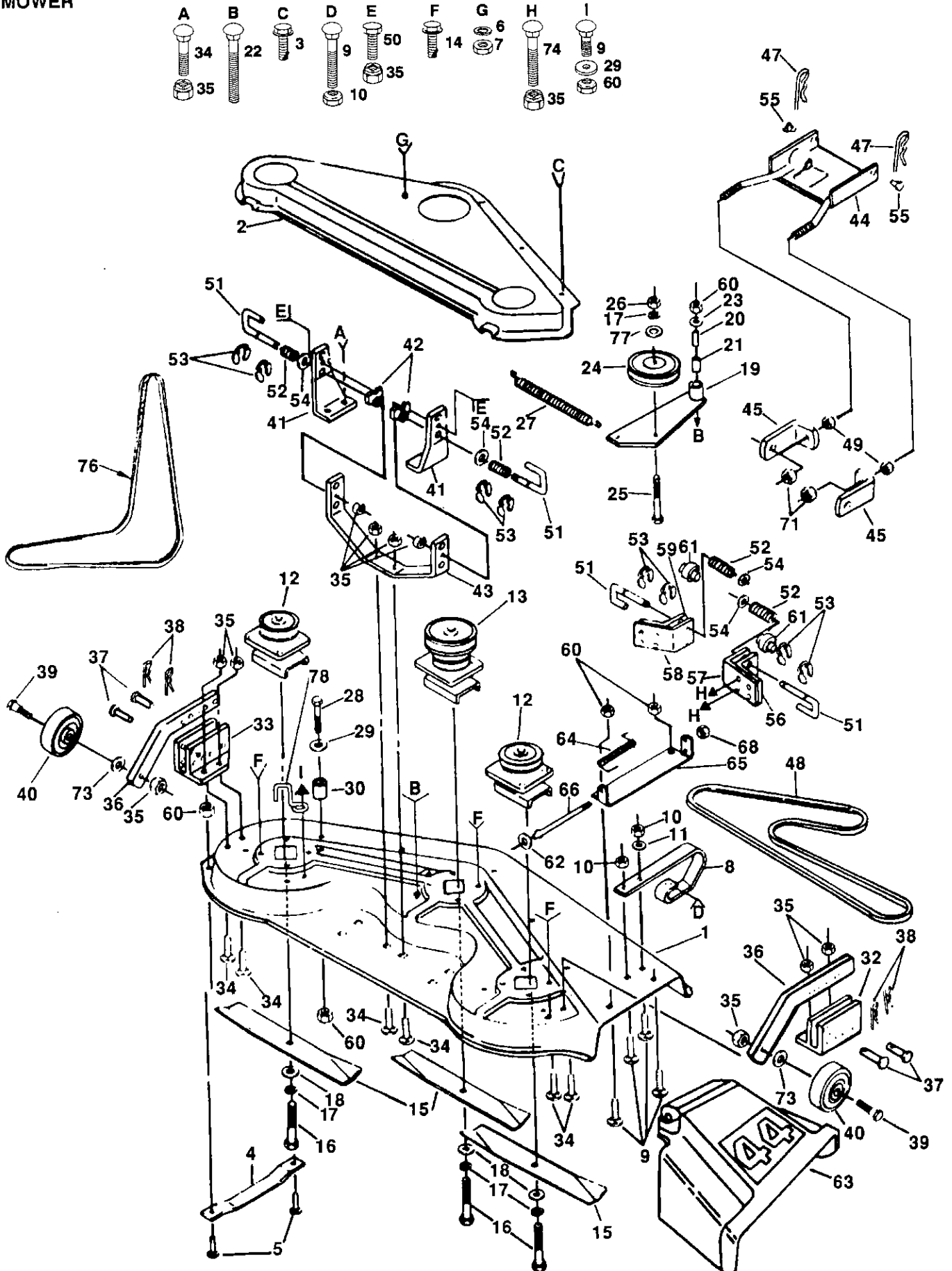
\* STANDARD HARDWARE -- PURCHASE LOCALLY

**NOTE:** All component dimensions given in U.S. inches.  
1 inch = 25.4 mm

# REPAIR PARTS

18 HP 44" RIDING GARDEN TRACTOR - - MODEL NUMBER 917.255960

44" MOWER



# REPAIR PARTS

## 18 HP 44" RIDING GARDEN TRACTOR - - MODEL NUMBER 917.255960

44" MOWER

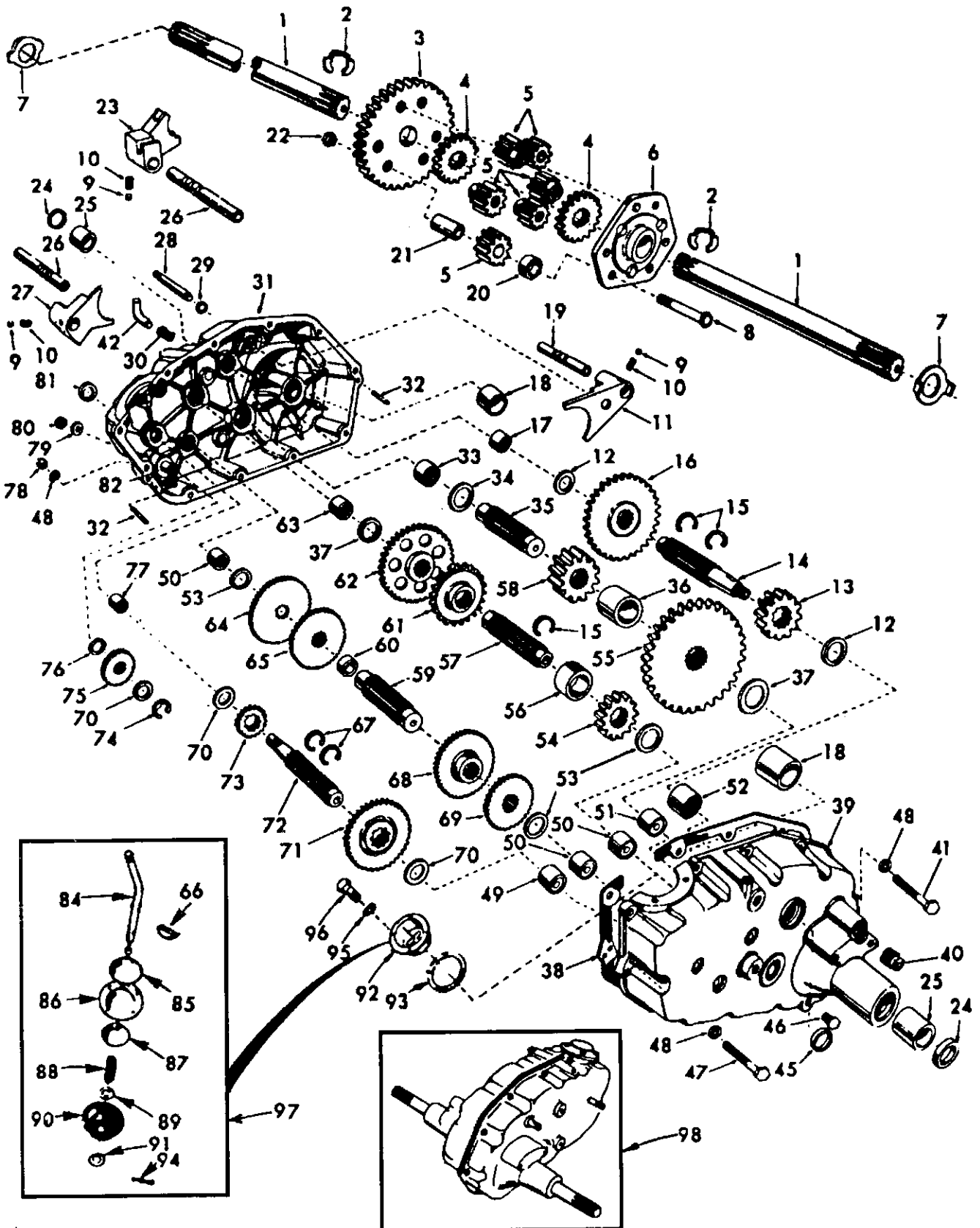
KEY PART NO. NO.	DESCRIPTION	KEY PART NO. NO.	DESCRIPTION
1	105415X Housing, Mower	38	4939M Retainer, Spring
2	106022X Cover, Drive Deck	39	4898H Bolt, Shoulder
3	17490508 Screw, Hex Washer Thd. Roll 5/16-18 x 1/2	40	105455X Wheel, Gauge
4	7631J Runner, L.H.	41	105433X Bracket, Suspension
5	72110505 Bolt, Carriage 5/16-18 x 5/8	42	110237X Spacer
6	STD551131 *Washer, Lock 5/16	43	105434X Brace, Suspension
7	STD541031 *Nut, Hex 5/16-18	44	105436X Parallel Link
8	8418J Runner, R.H.	45	105441X Bracket, Suspension
9	72140506 Bolt, Carriage 5/16-18 x 3/4	47	3146R Retainer, Spring
10	1685H Locknut 5/16-18	48	106381X V-Belt
11	STD551031 *Washer 11/32 x 11/16 x 16 Gauge	49	STD541050 *Nut 1/2-13
12	121658X Mandrel, Secondary	50	74760622 Bolt, Hex 3/8-16 x 1-3/8
13	121657X Mandrel, Primary	51	105435X Pin, Release
14	17490612 Screw, Hex Washer Thd. Roll 3/8-16 x 3/4	52	3720R Spring
15	106635X Blade	53	12000039 Ring, Klip
16	STD623715 *Bolt, Hex 3/8-24 x 1-1/2 Grade 5	54	19171612 Washer 17/32 x 1 x 12 Gauge
17	STD551137 *Washer, Lock 3/8	55	105440X Pin, Clevis
18	19132012 Washer 13/32 x 1-1/4 x 12 Gauge	56	105458X Bracket, Outer, R.H.
19	674A213 Assembly, Arm Idler	57	105460X Bracket, Inner, R.H.
20	7834J Liner, Bearing	58	105461X Bracket, Inner, L.H.
21	7835J Bearing	59	105459X Bracket, Outer, L.H.
22	72110522 Bolt, Carriage 5/16-18 x 2-3/4	60	73680500 Locknut 5/16-18
23	19111610 Washer 11/32 x 1 x 10 Gauge	61	120135X Spacer
24	102403X Pulley, Idler	62	19111016 Washer 11/32 x 5/8 x 16 Gauge
25	STD523715 *Bolt, Hex 3/8-16 x 1-1/2	63	109785X Shield, Deflector
26	STD541037 *Nut, Hex 3/8-16	64	106734X Spring, Deflector
27	104361X Spring	65	109743X Bracket, Deflector
28	STD523112 *Bolt, Hex 5/16-18 x 1-1/4 Grade 5	66	106735X Rod Hinge
29	19111216 Washer 11/32 x 3/4 x 16 Gauge	68	110452X Nut, Push
30	8438J Spacer	71	73680800 Nut, Crownlock 1/2-13
32	105448X Bracket, Ga. Wheel, R.H.	73	19171512 Washer 17/32 x 15/16 x 12 Gauge
33	105449X Bracket, Ga. Wheel, L.H.	74	72240608 Bolt, Carriage 3/8-16 x 1
34	STD533707 *Bolt, Carriage 3/8-16 x 3/4	76	110884X V-Belt
35	73680600 Nut, Crownlock 3/8-16	77	19131614 Washer 13/32 x 1 x 14 Gauge
36	105453X Bar, Ga. Wheel	78	121352X Keeper, Belt
37	5565J Pin, Clevis		

\* STANDARD HARDWARE -- PURCHASE LOCALLY

**NOTE:** All component dimensions given in U.S. inches.  
1 inch = 25.4 mm

# REPAIR PARTS

18 HP 44" RIDING GARDEN TRACTOR - - MODEL NUMBER 917.255960  
TRANSAXLE





# REPAIR PARTS

## 18 HP 44" RIDING GARDEN TRACTOR - - MODEL NUMBER 917.255960

### TRANSAXLE

KEY PART NO. NO.	DESCRIPTION	KEY PART NO. NO.	DESCRIPTION
1 4197R	Axle Shaft	51 1529R	Needle Bearing
2 12000034	Retaining Ring	52 8119M	Needle Bearing
3 4199R	Final Drive Gear	53 4220R	Thrust Bearing Race
4 4216R	Differential Gear	54 4209R	3rd Reduction Pinion, Low
5 4215R	Differential Pinion	55 4213R	4th Reduction Gear
6 4217R	Differential Carrier	56 4442R	3rd Reduction Pinion Spacer
7 6256H	Axle Thrust Washer	57 4195R	2nd Reduction Gear Shaft
8 74020652	Hex Bolt 3/8-24 x 3-1/4 (1" Thread Length)	58 4214R	Final Drive Pinion
9 7392M	Steel Ball	59 4194R	1st Reduction Gear Shaft
10 6272H	Spring Shift Fork Detent	60 7528R	1st Reduction Shaft Spacer
11 4985R	Shift Fork, High-Low Range	61 4208R	3rd Reduction Pinion High
12 6266H	Thrust Bearing Race	62 4207R	2nd Reduction Gear
13 4212R	4th Reduction Pinion	63 7398H	Needle Bearing
14 4196R	3rd Reduction Gear Shaft	64 4203R	Low Speed Gear and 2nd Reduction Pinion Cluster Reverse Gear
15 6276H	Snap Ring, Crescent Type	65 4204R	Reverse Gear
16 633A63	High-Low Range Gears	66 2898J	Key (Hi-Pro) 1/8 x 17/32
17 8118M	Needle Bearing	67 4926H	Snap Ring, Crescent Type
18 8740H1	Sintered Iron Bearing	68 4205R	Intermediate Speed Gear
19 122238X	Shift Fork Shaft, High-Low Range	69 4206R	High Speed Gear
20 4218R	Differential Pinion Spacer	70 1370H	Thrust Bearing Race
21 6252H1	Differential Pinion Bushing	71 633A69	Intermediate and High Speed Cluster Pinions
22 7810H	Gripco Centerlock Nut 3/8-24	72 208J	Input Shaft
23 4986R	Shift Fork, L.H.	73 4201R	Low Speed Pinion
24 7393R	Oil Seal	74 12000002	E-Ring
25 992R1	Sintered Iron Bearing	75 1153R	Reverse Idler Gear
26 6216H	Shift Fork Shaft	76 7392H	Reverse Idler Thrust Washer
27 6262H	Shift Fork, R.H.	77 3990H	Needle Bearing
28 122254X	Shift Shaft, High-Low Range	78 73220500	Hex Nut 5/16-18
29 6269H	Oil Seal	79 1167R	Sealing Washer
30 5855H	Pressure Relief Valve	80 73360700	Hex Jam Nut 7/16-20
31 122162X	Gearcase, Reverse Idler Shaft and Bearings, R.H. (Includes Key No.'s 17, 18, 25, 33, 50, 63, 76, 77 & 82)	81 6270H	Oil Seal
32 6277H	Dowel Pin	82 7384H	Reverse Idler Shaft
33 4225R	Needle Bearing	84 5384J	Gear Shift Lever, Bent
34 7396H	Thrust Bearing Race	85 2978J	Gear Shift Cap
35 4198R	4th Reduction Gear Shaft	86 633A85	Gear Shift Ball Cover and Pin
36 4200R	4th Reduction Gear Spacer	87 8739HI	Shift Lever Guide Ball, Keyed
37 7395H	Thrust Bearing Race	88 4924H	Spring
38 121878X	Gearcase Gasket	89 19151516	Washer 15/32 x 15/16 x 16 Gauge
39 122163X	Gearcase and Bearings, L.H. (Includes Key Numbers 18, 25, 49, 50 (2), 51 and 52)	90 110542X	Shift Mechanism Seal
40 13320400	Pipe Plug 1/2-14 N.P.T.	91 19181511	Washer 9/16 x 15/16 x 12 Gauge
41 74780526	Bolt, Hex 5/16-18 UNC x 1-5/8	92 75J	Gear Shift Gate and Reinforcement
42 13170100	Elbow, Street, 90°	93 6274H	Shift Ball Cover Gasket
45 6271H	Oil Seal	94 76020412	Cotter Pin 1/8 x 3/4
46 13060200	Pipe Plug 1/4-18 N.P.T.	95 10040500	Washer, Lock 5/16
47 74780524	Hex Bolt 5/16-18 x 1-1/2 Grade 5	96 74760514	Hex Bolt 5/16 x 18 UNC x 7/8
48 10140500	Washer, Lock, Extra Heavy 5/16	97 633A109	Gear Shift Lever Assembly
49 4895H	Needle Bearing	98 122420X	Transaxle Assembly (Less Brake Drum and Shift Lever)
50 4222R	Needle Bearing		

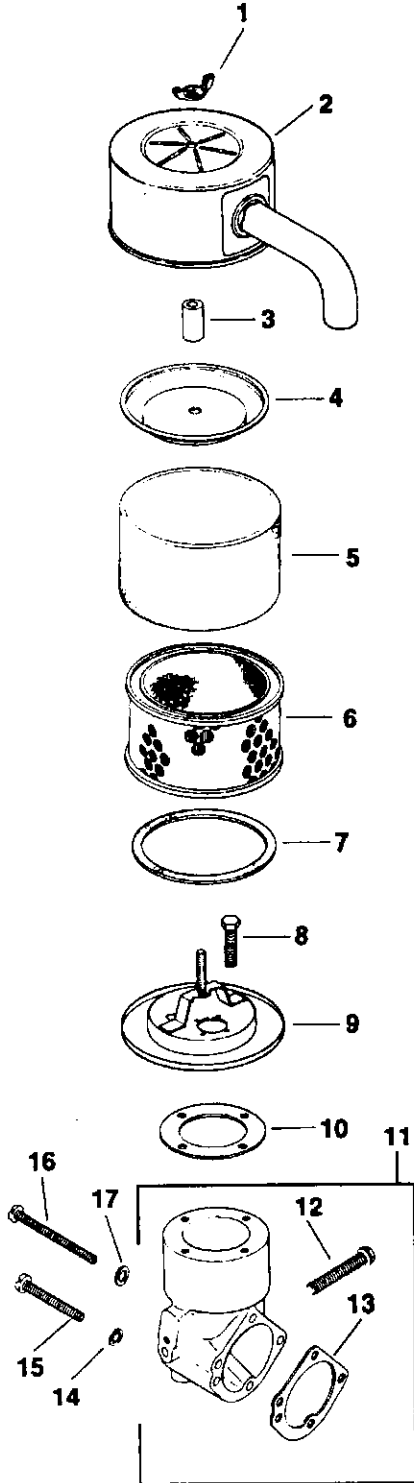
**NOTE:** All component dimensions given in U.S. inches  
1 inch = 25.4 mm

# REPAIR PARTS

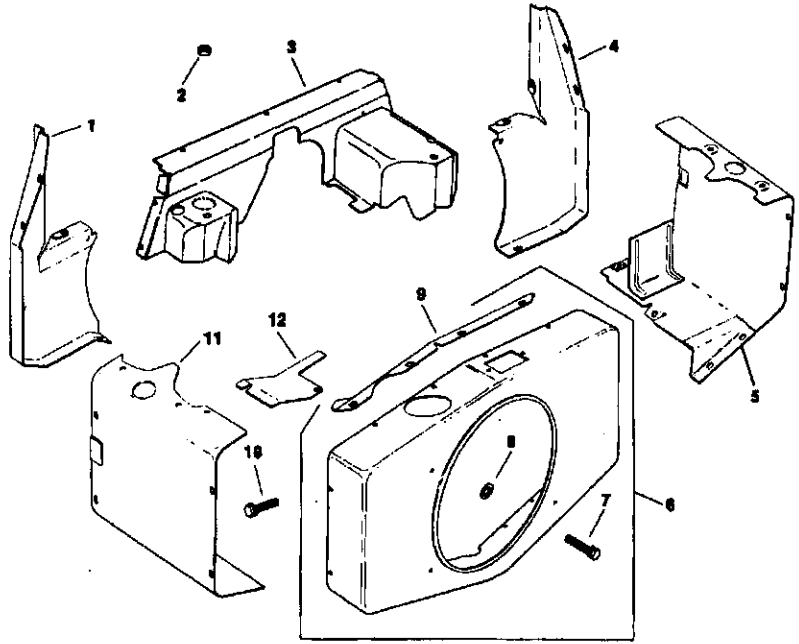
18 HP 44" RIDING GARDEN TRACTOR - - MODEL NUMBER 917.255960

KOHLER ENGINE - - MODEL NUMBER M18S, TYPE NUMBER 24665

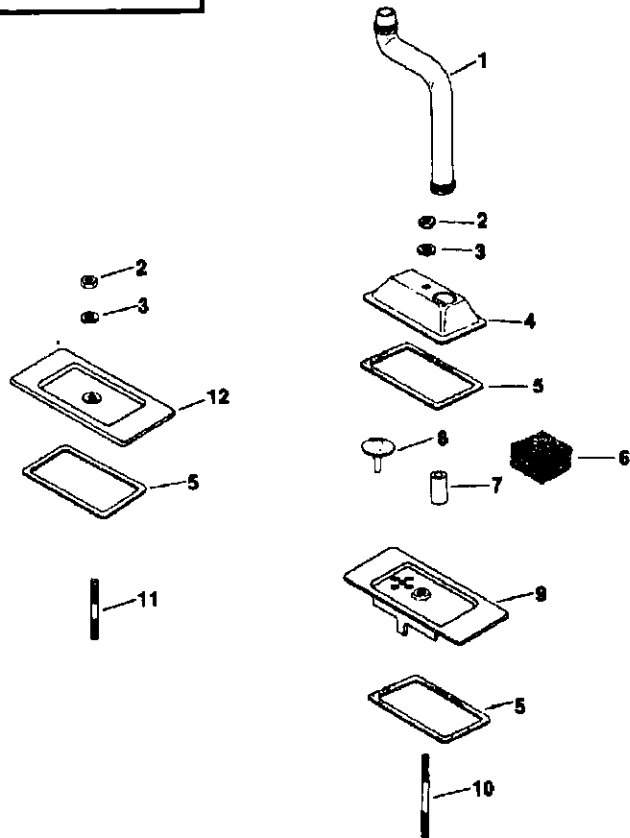
## AIR INTAKE



## BAFFLES AND SHROUD



## BREATHER AND VENT



# REPAIR PARTS

## 18 HP 44" RIDING GARDEN TRACTOR - - MODEL NUMBER 917.255960

KOHLER ENGINE - - MODEL NUMBER M18S, TYPE NUMBER 24665

### AIR INTAKE

KEY PART NO. NO.	DESCRIPTION
1 X-276-7	Wing Nut 1/4-20
2 52 096 36	Cover, Air Cleaner
3 231032	Seal, Element Cover
4 52 082 04	Cover, Air Cleaner Element
5 45 083 01	Pre-Cleaner
6 45 083 02	Element, Air Cleaner
7 237423	Seal, Air Cleaner Cover
8 X-67-98	Screw, Hex Washer Head #10-32 x 9/16 (4)
9 52 201 06	Base, Air Cleaner
10 277093	Gasket, Air Cleaner Base
11 52 754 01	Kit, Elbow
12 52 086 11	Screw, Hex Cap 1/4-20 x 5/8
13 25 041 06	Gasket, Elbow
14 X-22-9	Washer, Lock #10 (2)
15 X-50-57	Screw, Machine, Round Head #10-32 x 1-1/2 (2)
16 X-50-37	Screw, Machine, Round Head #10-32 x 2-1/4
17 X-25-79	Washer, Plain #10
NOT ILLUSTRATED	
25 113 07	Decal, Air Cleaner

### BAFFLES & SHROUD

KEY PART NO. NO.	DESCRIPTION
1 52 281 23	Duct, Air, #1 Side
2 X-82-2	Nut 5/16-18 (2)
3 52 282 01	Cover, Air Duct
4 52 281 05	Duct, Air, #2 Side
5 52 063 36	Baffle, #1 Cylinder Head
6 52 755 71	Kit, Blower Housing
7 52 086 11	Screw, Self-Tapping 1/4-20 x 5/8 (2)
8 52 468 16	Washer, Flat 1/4 (2)
9 52 217 01	Support, Upper Housing
10 X-67-83	Screw, Hex Washer Head 1/4-20 x 7/16 (29)
11 52 063 30	Baffle, #2 Cylinder Head
12 52 063 01	Baffle, #2 Cylinder Top

### BREATHER & VENT

KEY PART NO. NO.	DESCRIPTION
1 52 326 05	Hose, Breather
2 X-81-1	Nut, Hex 1/4-20 (2)
3 X-25-12	Washer, Plain 1/4 (2)
4 52 096 08	Cover, #1 Upper Cylinder Valve
5 52 055 01	Gasket, Cover (3)
6 231419	Filter, Breather
7 52 032 04	Seal, Breather
8 52 462 01	Valve, Breather
9 52 096 22	Cover, #1 Lower Cylinder Valve
10 275220	Stud, #1 Cylinder Valve Cover 1/4-20 x 3-1/4
11 X-352-39	Stud, #2 Cylinder Valve Cover 1/4-20 x 2-1/4
12 52 096 18	Cover, #2 Cylinder Valve

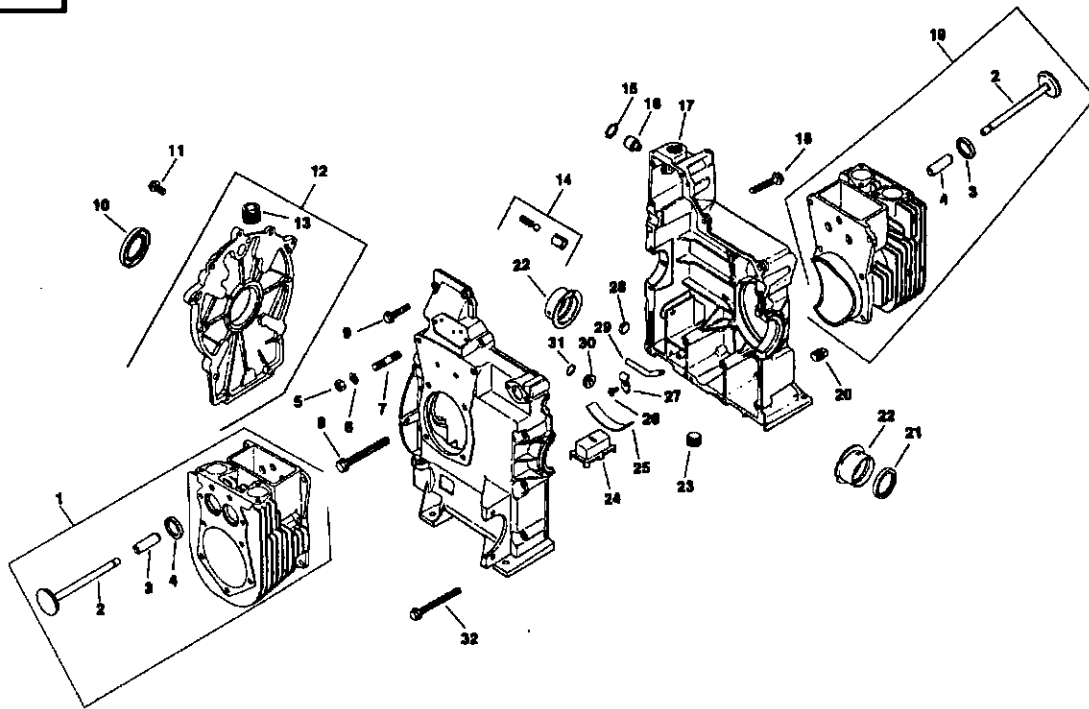
**NOTE:** All component dimensions given in U.S. inches  
1 inch = 25.4 mm

# REPAIR PARTS

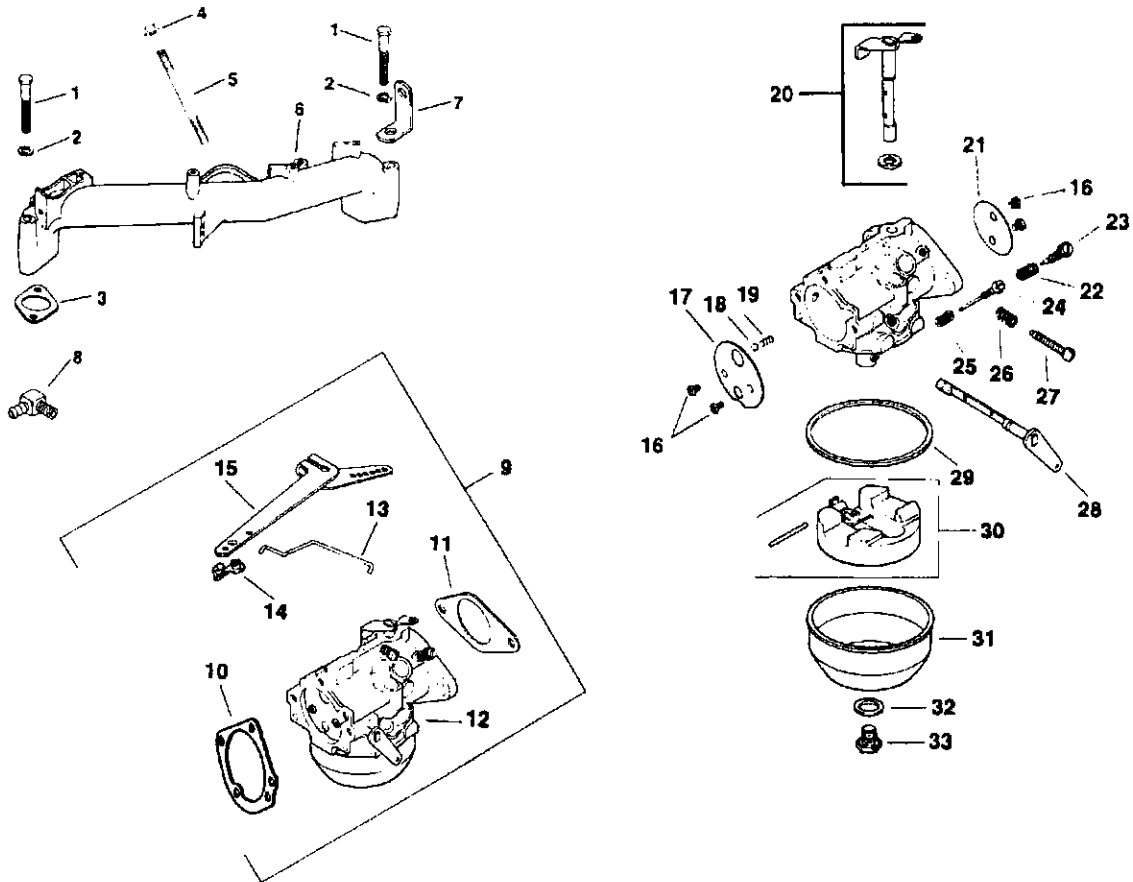
18 HP 44" RIDING GARDEN TRACTOR - - MODEL NUMBER 917.255960

KOHLER ENGINE - - MODEL NUMBER M18S, TYPE NUMBER 24665

## CRANKCASE



## CARBURETOR



# REPAIR PARTS

## 18 HP 44" RIDING GARDEN TRACTOR - - MODEL NUMBER 917.255960

KOHLER ENGINE - - MODEL NUMBER M18S, TYPE NUMBER 24665

### CRANKCASE

KEY PART NO. NO.	DESCRIPTION
1 82 755 19	Kit, #2 Cylinder Barrel (Includes Key Numbers 2 through 4)
2 52 016 05	Valve, Exhaust
3 52 316 06	Guide, Valve (2)
4 52 031 01	Insert, Valve Seat (2)
5 X-82-2	Nut, Hex 5/16-18 (12)
6 52 468 12	Washer, Flat 5/16 (12)
7 52 072 12	Step Stud 5/16-18 x 3/4, 3/8-16 x 5/8, 2" long (12)
8 25 086 13	Screw, Hex Flange 3/8-16 x 3-5/8 (2)
9 25 086 10	Screw, Hex Flange 5/16-18 x 1-1/2 (3)
10 X-583-5	Seal, Oil, Rear
11 X-802-9	Screw, Washer Head 5/16-18 x 1 (9)
12 52 755 57	Kit, Closure Plate (Includes Key 13)
13 X-75-23	Plug, 1/8 N.P.T.F.
14 52 755 50	Kit, Oil Relief
15 X-269-43	Ring, Retaining
16 52 078 05	Shaft, Governor
17 - - -	Crankcase (Service with Short Block, Part Number 52 522 77)
18 25 086 12	Screw, Hex Flange 5/16-18 x 2 (2)
19 82 755 18	Kit, #1 Cylinder Barrel (Includes Key Numbers 2 through 4)
20 X-75-10	Plug, Solid Square Head 3/8 N.P.T.F.
21 52 032 10	Seal, Oil, Front
22 52 030 10	Bearing, Sleeve, Standard (2)
52 030 11	Bearing, Sleeve .010" (2)
52 030 12	Bearing, Sleeve .020" (2)
23 X-75-32	Plug, Hex, ctsk. 3/8 N.P.T.F. (2)
24 52 095 03	Housing, Oil Pickup
25 52 237 02	Clamp, Spring
26 X-67-64	Screw, Hex Washer Head #10-32 x 7/16
27 52 237 05	Clamp, Tube
28 X-702-15	Plug, Cup 5/16
29 52 123 10	Tube, Dipstick
30 52 139 08	Plug
31 52 141 02	O-Ring
32 25 086 11	Screw, Hex Flange 5/16-18 x 3-1/2 (8)

### CARBURETOR

KEY PART NO. NO.	DESCRIPTION
1 X-6-8	Screw, Hex Cap 5/16-18 x 2-3/4 (4)
2 X-21-1	Washer, Lock 5/16 (4)
3 52 041 09	Gasket, Intake (2)
4 X-77-2	Nut 5/16 (2)
5 X-352-37	Stud 5/16-18 x 1 (2)
6 52 164 10	Manifold, Intake
7 52 445 02	Strap, Lifting (2)
8 25 155 02	Connector, Hose
9 52 853 27	Kit, Carburetor w/Gasket (Includes Key Numbers 10 through 33)
10 25 041 06	Gasket, Air Cleaner
11 271030	Gasket, Carburetor
12 52 053 63	Carburetor Assembly
52 053 58	(For Information Only - Not Available Separately)
13 82 755 07	Kit, Governor Linkage (Includes 14)
14 25 158 09	Bushing, Governor Linkage (2)
15 52 186 06	Arm, Governor
16 25 086 27	Screw, Throttle and Choke Plate (4)
17 25 146 03	Plate, Choke
18 25 194 01	Ball, Choke, Friction
19 25 089 03	Spring, Choke, Friction
20 52 144 18	Shaft, Throttle with Lever and Seal
21 25 146 02	Plate, Throttle
22 25 089 02	Spring, Idle, Fuel
23 25 368 01	Needle, Idle Fuel Adjust
24 25 368 03	Needle, Main Fuel
25 25 089 02	Spring, Main Fuel
26 25 089 04	Spring, Idle Speed
27 25 086 26	Screw, Idle Speed Adjust
28 52 090 12	Lever, Choke
29 25 041 04	Gasket, Bowl
30 25 757 09	Kit, Float
31 25 104 01	Bowl, Fuel
32 25 041 03	Gasket, Bowl Retainer Screw
33 25 100 05	Screw, Bowl Retainer
NOT ILLUSTRATED	
25 757 11	Kit, Carburetor Repair

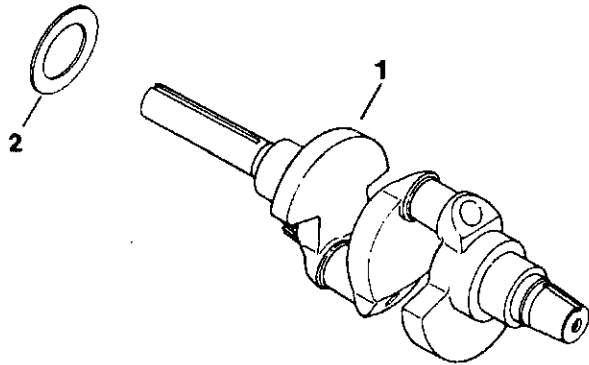
**NOTE:** All component dimensions given in U.S. inches  
1 inch = 25.4 mm

# REPAIR PARTS

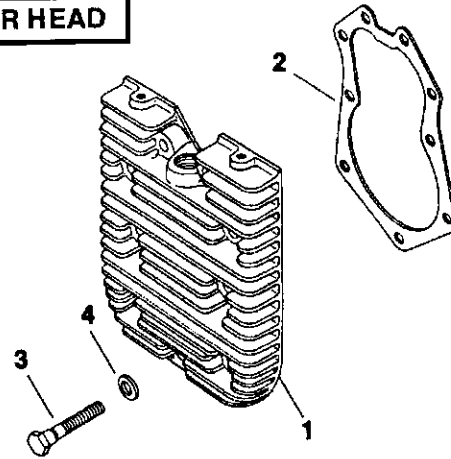
18 HP 44" RIDING GARDEN TRACTOR - - MODEL NUMBER 917.255960

KOHLER ENGINE - - MODEL NUMBER M18S, TYPE NUMBER 24665

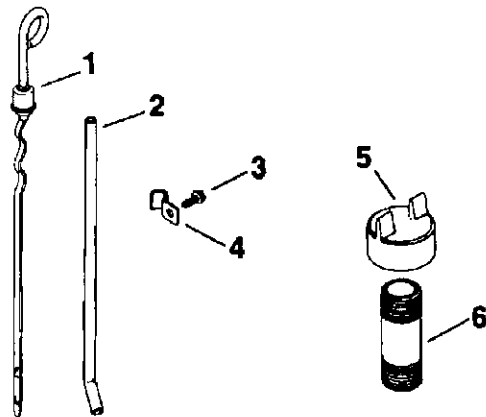
## CRANKSHAFT



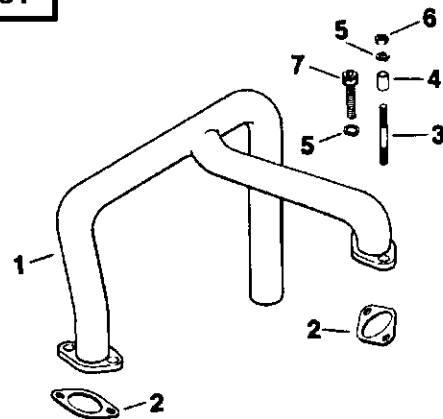
## CYLINDER HEAD



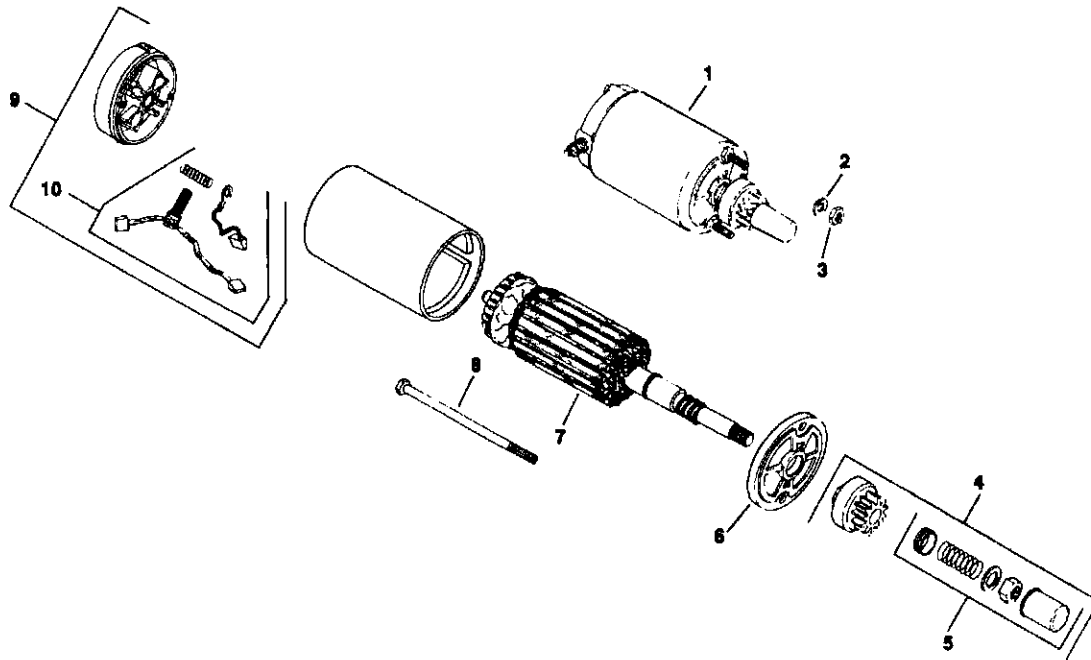
## DIPSTICK



## EXHAUST



## ELECTRIC STARTER



# REPAIR PARTS

## 18 HP 44" RIDING GARDEN TRACTOR - - MODEL NUMBER 917.255960

KOHLER ENGINE - - MODEL NUMBER M18S, TYPE NUMBER 24665

### CRANKSHAFT

KEY PART NO. NO.	DESCRIPTION
1 52 014 76	Crankshaft
2 52 468 03	Washer, Thrust .119/.122 (A.R.)
52 468 04	Washer, Thrust .128/.131
52 468 05	Washer, Thrust .137/.140 (A.R.)

### CYLINDER HEAD

KEY PART NO. NO.	DESCRIPTION
1 52 015 08	Head, Cylinder (2)
2 52 041 20	Gasket, Head (2)
3 41 086 02	Screw, Hex Head 5/16-18 x 1-1/2 (18)
4 220534	Washer, Plain 5/16 (18)

### DIPSTICK

KEY PART NO. NO.	DESCRIPTION
1 52 038 04	Dipstick, Blade 11-5/16
2 52 123 09	Tube, Oil Level
3 X-67-64	Screw #10-32 x 3/8
4 52 154 01	Clip, Tube
5 52 173 01	Cap, Pipe
6 46 136 02	Pipe, Oil Fill 3/4 I.P. x 2-1/2

### EXHAUST

KEY PART NO. NO.	DESCRIPTION
1 52 164 17	Manifold
2 52 041 14	Gasket, Exhaust (2)
3 52 072 13	Stud 5/16-18 x 4 (2)
4 52 112 08	Spacer (2)
5 X-21-1	Washer, Lock 5/16 (4)
6 X-82-2	Nut 5/16-18 (2)
7 X-55-6	Screw, Hex Socket Head 5/16-18 x 3/4 (2)

### ELECTRIC STARTER

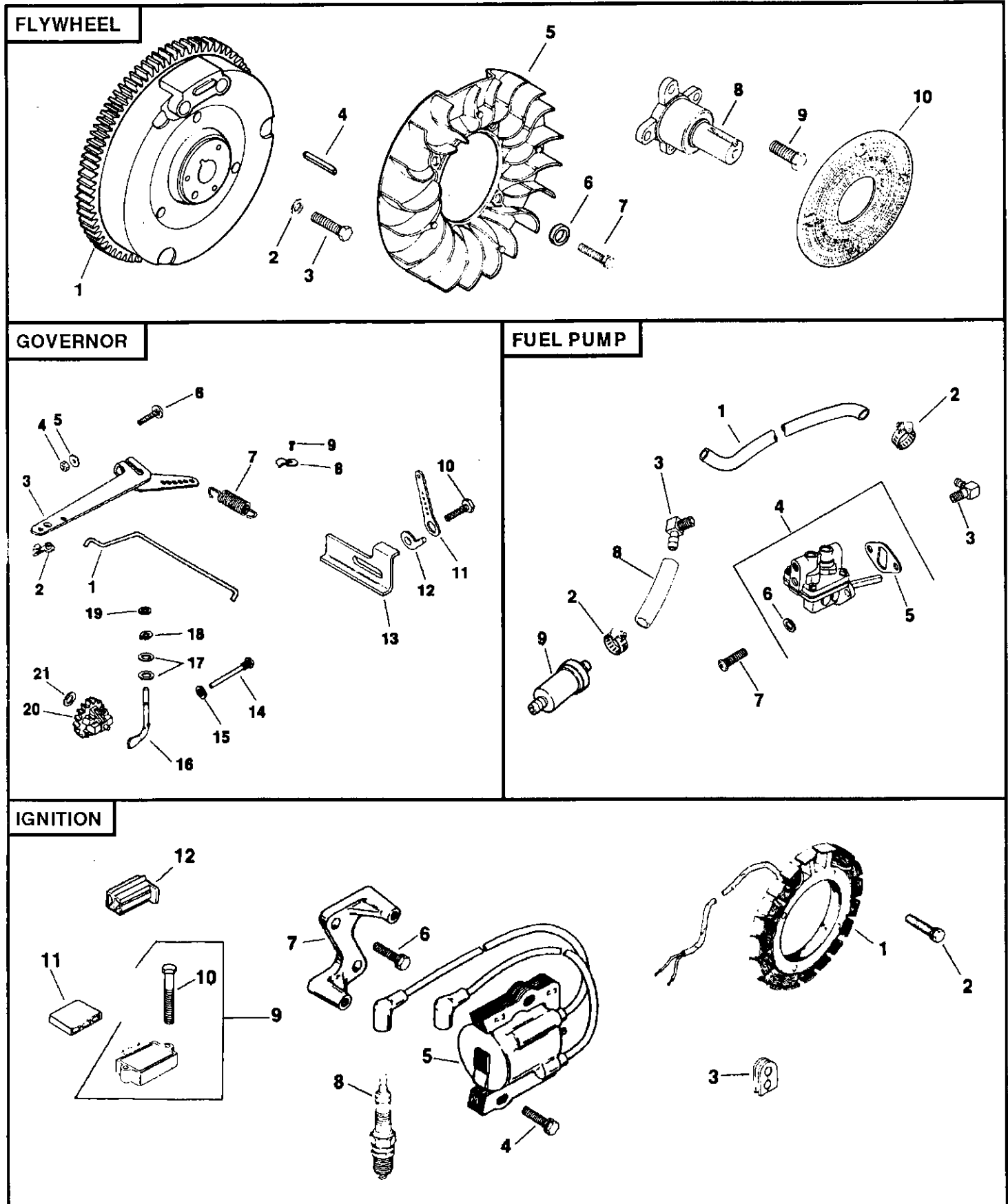
KEY PART NO. NO.	DESCRIPTION
1 52 098 03	Starter Assembly (Includes Key Numbers 4 through 10)
2 X-20-1	Washer, Lock 1/4 (2)
3 X-81-1	Nut, Hex 1/4-20 (2)
4 52 755 05	Kit, Drive (Includes Key Number 5)
5 52 755 08	Kit, Drive Parts
6 52 227 01	Cap, Drive End
7 52 170 02	Armature
8 52 211 01	Bolt, Thru 1/4-20 x 5-7/8 (2)
9 277612	Cap, Commutator End (Includes Key Number 10)
10 48 755 15	Kit, Brush
NOT ILLUSTRATED	
52 357 01	Lubricant, Starter
25 450 03	Tag, Caution

**NOTE:** All component dimensions given in U.S. inches  
1 inch = 25.4 mm

# REPAIR PARTS

18 HP 44" RIDING GARDEN TRACTOR - - MODEL NUMBER 917.255960

KOHLER ENGINE - - MODEL NUMBER M18S, TYPE NUMBER 24665





# REPAIR PARTS

## 18 HP 44" RIDING GARDEN TRACTOR - - MODEL NUMBER 917.255960

KOHLER ENGINE - - MODEL NUMBER M18S, TYPE NUMBER 24665

### FLYWHEEL

KEY PART NO. NO.	DESCRIPTION
1 52 025 36	Flywheel
2 52 468 15	Washer, Plain
3 25 086 24	Screw, Hex Machine 3/8-24 x 1-1/4
4 X-286-17	Key, Square 3/16 x 7/8
5 25 157 01	Fan
6 25 112 04	Spacer (4)
7 25 086 21	Screw, Hex Washer Head 1/4-20 x 5/8 (4)
8 237373	Shaft, Front Drive
9 X-159-2	Screw, Hex Cap 3/8-16 x 1 (4)
10 25 162 02	Screen, Grass

### FUEL PUMP

KEY PART NO. NO.	DESCRIPTION
1 52 353 04	Line, Fuel
2 X-426-9	Clamp, Hose (4)
3 25 155 02	Connector, Hose (2)
4 52 559 01	Pump, Fuel Assembly (Includes Key Numbers 5 and 6)
5 25 041 05	Gasket, Fuel Pump
6 X-25-63	Washer, Plain 1/4 (2)
7 47 086 08	Screw, Pozidriv, Truss Head 1/4-20 x 5/8 (2)
8 25 353 03	Line, Fuel
9 45 050 01	Filter, Fuel

### GOVERNOR

KEY PART NO. NO.	DESCRIPTION
1 82 755 07	Kit, Governor Linkage
2 25 158 09	Bushing, Governor Linkage (2)
3 52 186 06	Arm, Governor
4 X-81-1	Nut, Hex 1/4-20
5 X-25-72	Washer, Plain 1/4
6 52 211 04	Screw, Round Head, Square Neck 1/4-20 x 1
7 52 091 04	Spring, Governor
8 235778	Clamp, Cable (2)
9 X-67-97	Screw, Hex Washer Head #10-24 x 3/8 (2)
10 X-67-62	Screw, Hex Washer Head 1/4-20 x 3/4
11 52 119 01	Lever, Speed Control
12 234614	Stop, Governor
13 52 531 02	Stop, High Speed
14 231355	Pin, Governor Stop
15 X-25-12	Washer, Plain 1/4
16 52 078 04	Shaft, Governor, Cross
17 X-25-102	Washer, Plain (2)
18 X-269-28	Retainer, Governor
19 X-25-63	Washer, Plain 1/4
20 A-235743-S	Kit, Governor Gear
21 237022	Washer

### IGNITION

KEY PART NO. NO.	DESCRIPTION
1 237878	Kit, Stator
2 X-67-51	Screw, Hex Cap #10-24 x 3/4 (4)
3 52 313 02	Grommet
4 25 086 15	Screw, Hex Washer Head 1/4-20 x 1 (2)
5 52 584 02	Module, Ignition
6 25 086 16	Screw, Hex Washer Head 1/4-20 x 7/8 (2)
7 52 126 08	Bracket, Module
8 51 132 02	Spark Plug (2)
9 25 755 03	Kit, Rectifier-Regulator (Includes Key Number 10)
10 X-132-5	Screw, Hex Cap 1/4-20 x 5/8 (2)
11 236602	Connector
12 41 155 03	Connector
NOT ILLUSTRATED	
25 518 21	Lead, Red, Rectifier-Regulator (5-14 Gauge - Uninsulated Push On Tab Terminals)
52 518 22	Lead, Black, Module To Connector (12-1/2"-18 Gauge - Insulated Push On Tab - Uninsulated Push On Tab Terminals)

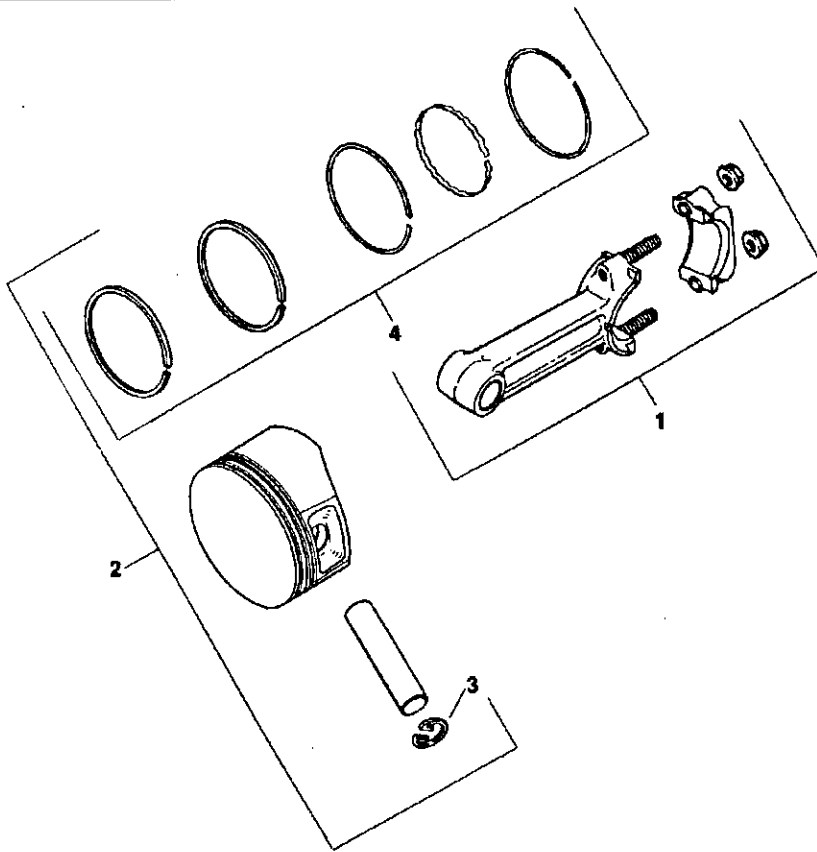
**NOTE:** All component dimensions given in U.S. inches  
1 inch = 25.4 mm

# REPAIR PARTS

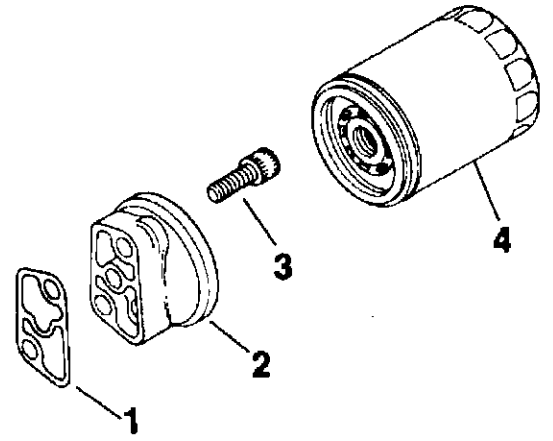
18 HP 44" RIDING GARDEN TRACTOR - - MODEL NUMBER 917.255960

KOHLER ENGINE - - MODEL NUMBER M18S, TYPE NUMBER 24665

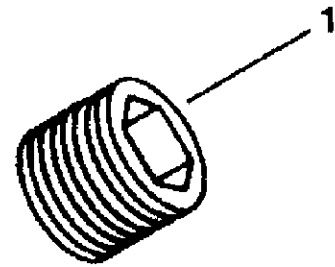
## PISTON AND ROD



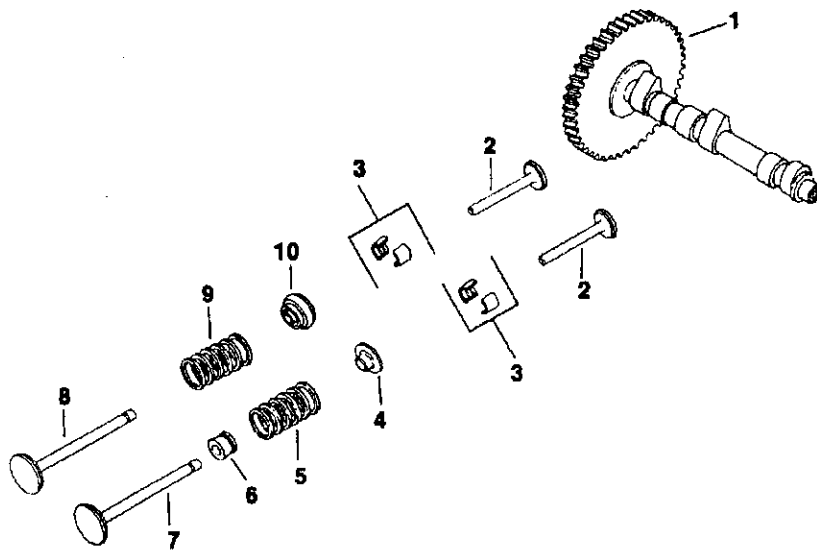
## OIL FILTER



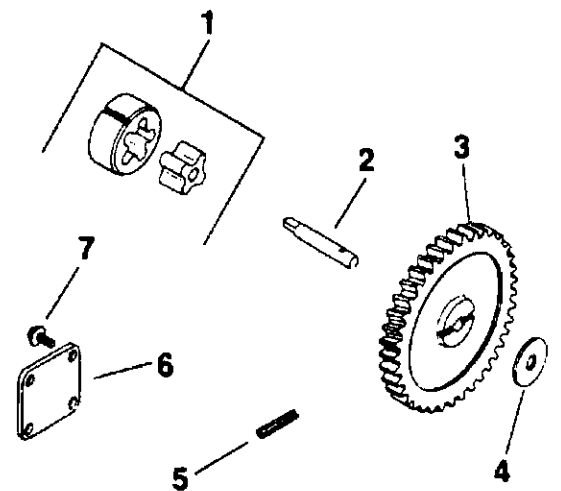
## OIL SWITCH



## CAMSHAFT AND VALVES



## OIL PUMP



# REPAIR PARTS

## 18 HP 44" RIDING GARDEN TRACTOR - - MODEL NUMBER 917.255960

KOHLER ENGINE - - MODEL NUMBER M18S, TYPE NUMBER 24665

### PISTON & ROD

KEY PART NO. NO.	DESCRIPTION
1 52 067 71	Connecting Rod, Standard (2)
52 067 72	Connecting Rod .010" (2)
2 52 874 16	Piston w/Ring Set, Standard (2)
52 874 17	Piston w/Ring Set .003" (2)
52 874 18	Piston w/Ring Set .010" (2)
52 874 19	Piston w/Ring Set .020" (2)
52 874 20	Piston w/Ring Set .030" (2)
3 52 141 01	Retainer, Piston Pin (4)
4 52 108 09	Ring Set, Standard and .003" (2)
52 108 10	Ring Set .010" (2)
52 108 11	Ring Set .020" (2)
52 108 12	Ring Set .030" (2)

### OIL PUMP

KEY PART NO. NO.	DESCRIPTION
1 52 393 09	Rotor Set
2 52 144 05	Shaft, Oil Pump
3 52 043 05	Gear, Oil Pump
4 52 422 01	Spacer, Shim (A.R., Maximum of 2)
5 X-280-25	Pin, Roll
6 52 096 03	Cover, Oil Pump
7 X-67-64	Screw, Hex Washer Head #10-32 x 7/16 (4)

**NOTE:** All component dimensions given in U.S. inches  
1 inch = 25.4 mm

### CAMSHAFT & VALVES

KEY PART NO. NO.	DESCRIPTION
1 52 012 09	Camshaft
2 52 019 03	Tappet (4)
3 41 755 10	Kit, Retainer (4)
4 230011	Retainer, Intake Valve (2)
5 25 089 01	Spring, Intake Valve (2)
6 52 032 13	Seal, Intake Valve Stem (2)
7 52 017 07	Valve, Intake (2)
8 52 016 06	Valve, Exhaust (2)
9 25 089 01	Spring, Exhaust Valve (2)
10 52 413 01	Rotator, Exhaust Valve (2)

### OIL FILTER

KEY PART NO. NO.	DESCRIPTION
1 52 041 16	Gasket, Oil Filter
2 52 181 03	Adapter, Oil Filter
3 X-55-15	Screw, Hex Socket Head 5/16-18 x 1-1/4 (2)
4 52 050 02	Oil Filter

### LOW OIL PRESSURE SWITCH

KEY PART NO. NO.	DESCRIPTION
1 X-75-23	Plug, Pipe 1/8 N.P.T.F.
NOT ILLUSTRATED	
82 522 11	Short Block
52 755 94	Gasket Set

# 18 HP 44" RIDING GARDEN TRACTOR - MODEL NUMBER 917.255960

## SCHEMATIC

