



REPAIR PARTS MANUAL
MODEL NO. 256350
Lawn Tractor

13,5/38"

CRAFTSMAN®

HOW TO USE THIS MANUAL

This manual is designed to provide the customer with a means to identify the parts on his/her tractor when ordering repair parts. The illustrations may or may not represent the actual assemblies; therefore, it is not recommended to use this manual as a guide to assemble or disassemble the tractor. Some hardware and parts are drawn larger in order to more readily identify them.

Each tractor has its own model number.

The model number for your tractor can be found on the fender under the seat.

When ordering parts, always give the following information:

- Product - "Tractor"
- Model Number - "256350"
- Part Number
- Part Description

TABLE OF CONTENTS

CHASSIS	6-7
DECALS	13
DRIVE	8-9
ELECTRICAL.....	4-5
ENGINE	14-15
MOWER LIFT LEVER.....	16-17
MOWER DECK	18-19
SEAT	12
STEERING WHEEL	10-11
TRANSAXLE	20-21

LIMITED TWO YEAR WARRANTY ON CRAFTSMAN RIDING EQUIPMENT

For one (1) year from the date of purchase, if this Craftsman Riding Equipment is maintained, lubricated and tuned up according to the instructions in the owner's manual, Sears will repair or replace, free of charge, any parts found to be defective in material or workmanship.

This Warranty does not cover:

- Expendable items which become worn during normal use, such as blades, spark plugs, air cleaners, belts, etc.
- Tire replacement or repair caused by punctures from outside objects, such as nails, thorns, stumps, or glass.
- Repairs necessary because of operator abuse, negligence, improper storage or accident or the failure to maintain the equipment according to the instructions contained in the owner's manual.
- Riding equipment used for commercial or rental purposes.

LIMITED 90 DAY WARRANTY ON BATTERY

For ninety (90) days from date of purchase, if any battery included with this riding equipment proves defective in material or workmanship and our testing determines the battery will not hold a charge, Sears will replace the battery at no charge.

IN-HOME WARRANTY SERVICE ON YOUR CRAFTSMAN RIDING EQUIPMENT IS AVAILABLE AT NO-CHARGE FOR 30 DAYS FROM THE DATE OF PURCHASE. PLEASE CONTACT YOUR NEAREST SERVICE CENTER. AFTER 30 DAYS FROM THE DATE OF PURCHASE, WARRANTY SERVICE IS AVAILABLE BY TAKING YOUR CRAFTSMAN RIDING EQUIPMENT TO YOUR NEAREST SEARS SERVICE CENTER. (IN-HOME WARRANTY SERVICE WILL STILL BE AVAILABLE AFTER 30 DAYS FROM THE DATE OF PURCHASE BUT A STANDARD TRIP CHARGE WILL APPLY.) THIS WARRANTY APPLIES ONLY WHILE THIS PRODUCT IS IN THE UNITED STATES.

This Warranty gives you specific legal rights, and you may also have other rights which may vary from state to state.

SEARS, ROEBUCK AND CO., D/817 WA, HOFFMAN ESTATES, IL 60179

REPAIR PARTS

TRACTOR - - MODEL NUMBER 917.256350

ELECTRICAL

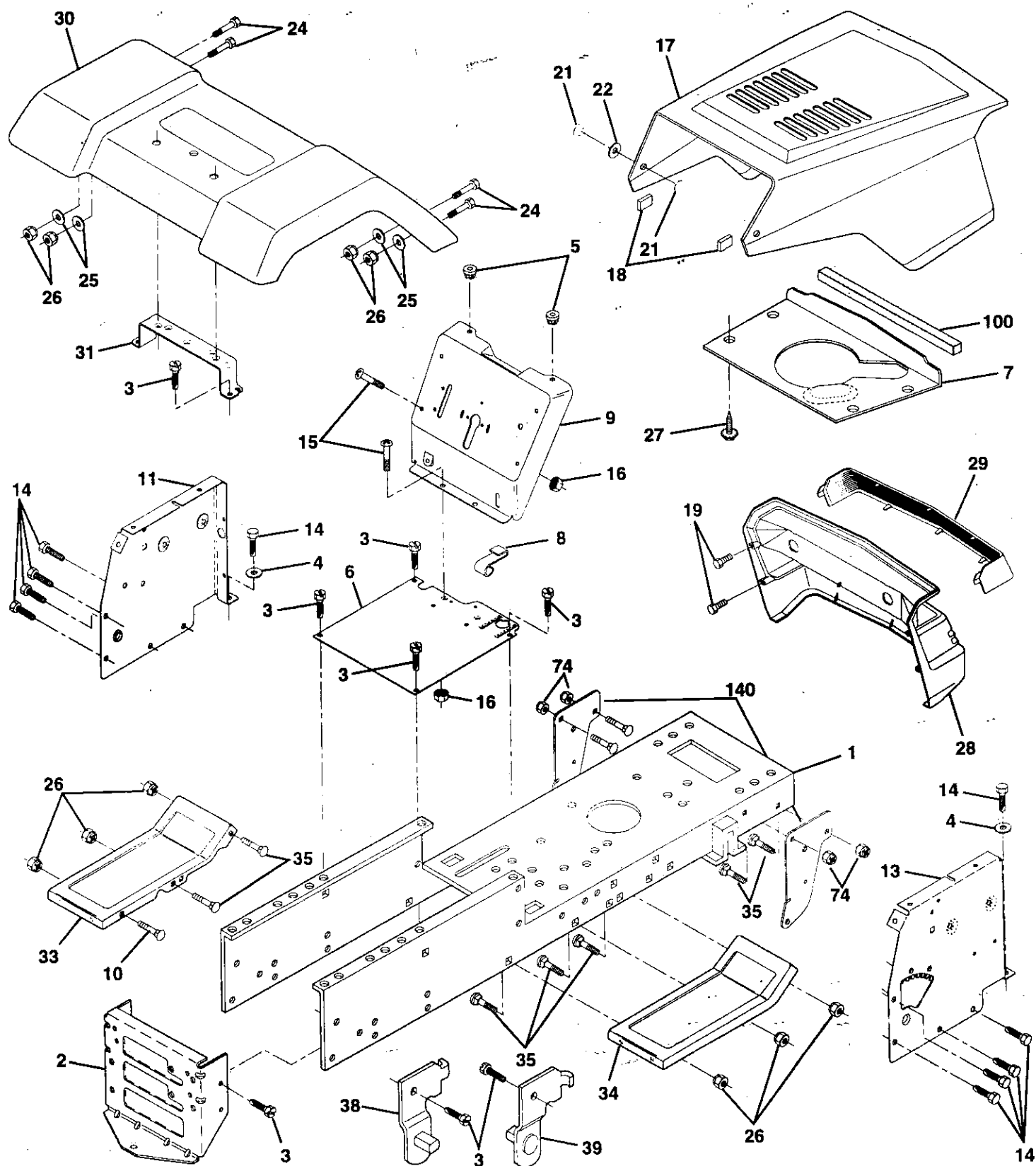
KEY NO.	PART NO.	DESCRIPTION
1	146139	Battery 12 Volt 25 AMP
2	74760412	Bolt Hex Hd 1/4-20unc X 3/4
3	STD551025	Washer 9/32 X 5/8 X 16 Ga
4	STD551125	Washer Lock Hvy Helical 1/4
6	STD541025	Nut Fin Hex 1/4-20 Unc
7	109238X	Tube Plastic 12"
8	144940	Case Battery w/2 Holes
9	109596X	Clamp Hose Olive
15	147688	Fastener Snap- in
16	153664	Switch Interlock Push-In
19	STD551125	Washer Lock 1/4
20	73350400	Nut Jam Hex 1/4-20 Unc
21	136850	Harness Asm Light W/4152j
22	4152J	Bulb Light #1156
24	4799J	Cable Battery 6 Ga 11" red
25	146147	Cable Battery 6 Ga red w/16 Wire
26	108824X	Fuse 30 AMP Auto Green
28	4207J	Cable Ground 6 Ga 12" black
29	121305X	Switch Plunger Nc Gray
30	144921	Switch Ign 3 pos
31	140400	Nut Ignition
32	141226	Cover Sw Key Blk 1 25 Text SLT
33	140403	Key Ign Molded Craftsman
34	110712X	Switch Light Blk Blk Red
36	STD601005	Screw Tap Hex #10-24unc X 1/2
38	108236X	Bracket Switch Clutch
39	109553X	Switch Intlk Clutch Red 4 Term
40	146057	Harness Ign Dash Lt IPC Mch 95
41	71110408	Bolt Blk. Fin Hex 1/4-20 Unc x 1/2
42	131563	Cover Terminal Red
43	145673	Solenoid
44	73640400	Nut Keps Blk Hx 1/4-20 Unc
48	140844	Adapter Ammeter Rectangular
49	153249	Washer Pinned Delta
70	140413	Harness Engine B&S5

NOTE: All component dimensions give in U.S. inches
1 inch = 25.4 mm

REPAIR PARTS

TRACTOR -- MODEL NUMBER 917.256350

CHASSIS AND ENCLOSURES



REPAIR PARTS

TRACTOR - - MODEL NUMBER 917.256350

CHASSIS AND ENCLOSURES

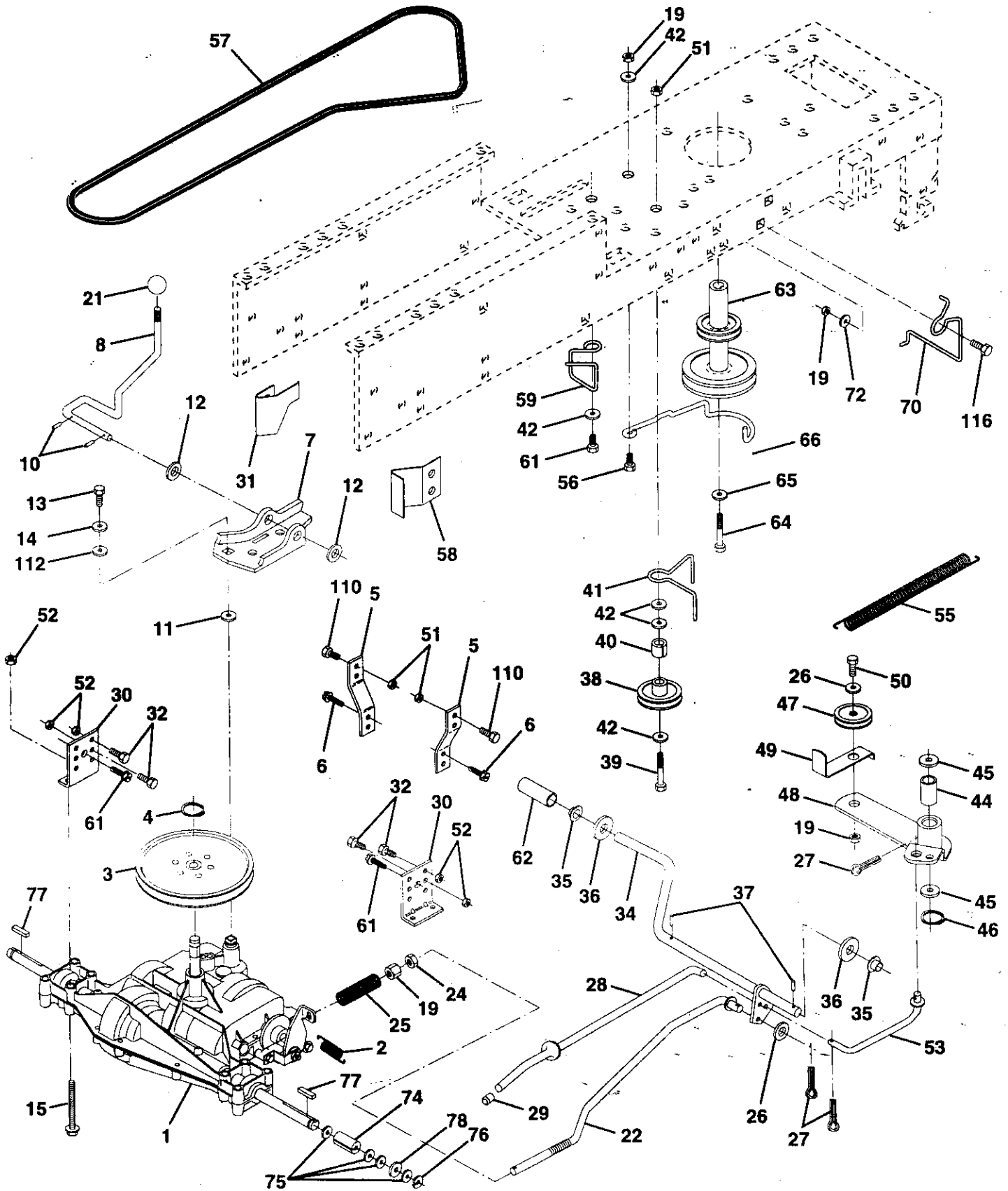
KEY NO.	PART NO.	DESCRIPTION
1	151169	Chassis Weldment 11ga
2	140356	Drawbar Stretch
3	17490612	Screw Thdrol 3/8-16x3/4 Ty-tt
4	STD551025	Washer 13/32 x 3/4 x 16 Ga.
5	146077	Bumper, Snap In
6	145208X015	Saddle Silkscreen Flt Sdl 5Sp D4360
7	124027X	Heat Shield Sloped Hood
8	126471X	Clip Line Fuel 13/32 Mtg Hole
9	146757X011	Dash Silkscreened
10	STD533710	Bolt, Carriage 3/8-16 x 1
11	146956	Panel Pnt Dash Lh
13	146961X012	Panel Silkscr Dash Rh Weldment
14	17490608	Screw Thdrol 3/8-16x1/2 Ty-tt
15	74180512	Screw Mach Trhd 5/16-18uncx3/4
16	STD541431	Nut Keps 5/16-18 Unc
17	131445X417	Hood Asm Pnt
18	126938X	Bumper Hood
19	17521312	Screw Sltd Hex Hd w/Pl Washer
21	122933X	Rivet Ratchet Nylon
22	124479X	Washer Nylon Blk 28x 75x 19
24	STD523710	Bolt Fin Hex 3/8-16unc X 1
25	19131312	Washer 13/16 X 13/16 X 12 Ga
26	STD541437	Nut Lock 3/8-16 Unc
27	17030814	Screw, Lock, Spider #8 x 7/8
28	140135	Grille
29	124029X	Lens Headlight Bar Clear
30	109872X417	Fender Pnt
31	136619	Bracket Pnt Fender
33	105476X417	Footrest Pnt Lh Perf
34	105475X417	Footrest Pnt Rh Perf
35	STD533707	Bolt Rdhd Sht Sqnk 3/8-16 X3/4
38	139886	Bracket, Asm. Pivot, L.H., Mower Rear
39	139887	Bracket, Asm. Pivot, R.H., Mower Rear
74	STD541437	Nut Crownlock 3/8-16 UNC
140	150556	Bracket Chassis Front 7 Ga.
100	105037X	Strip, Foam 18"
--	5479J	Plug Button Blk 359 Dia

NOTE: All component dimensions given in U.S. inches
1 inch = 25.4 mm

REPAIR PARTS

TRACTOR -- MODEL NUMBER 917.256350

DRIVE



REPAIR PARTS

TRACTOR - - MODEL NUMBER 917.256350

DRIVE

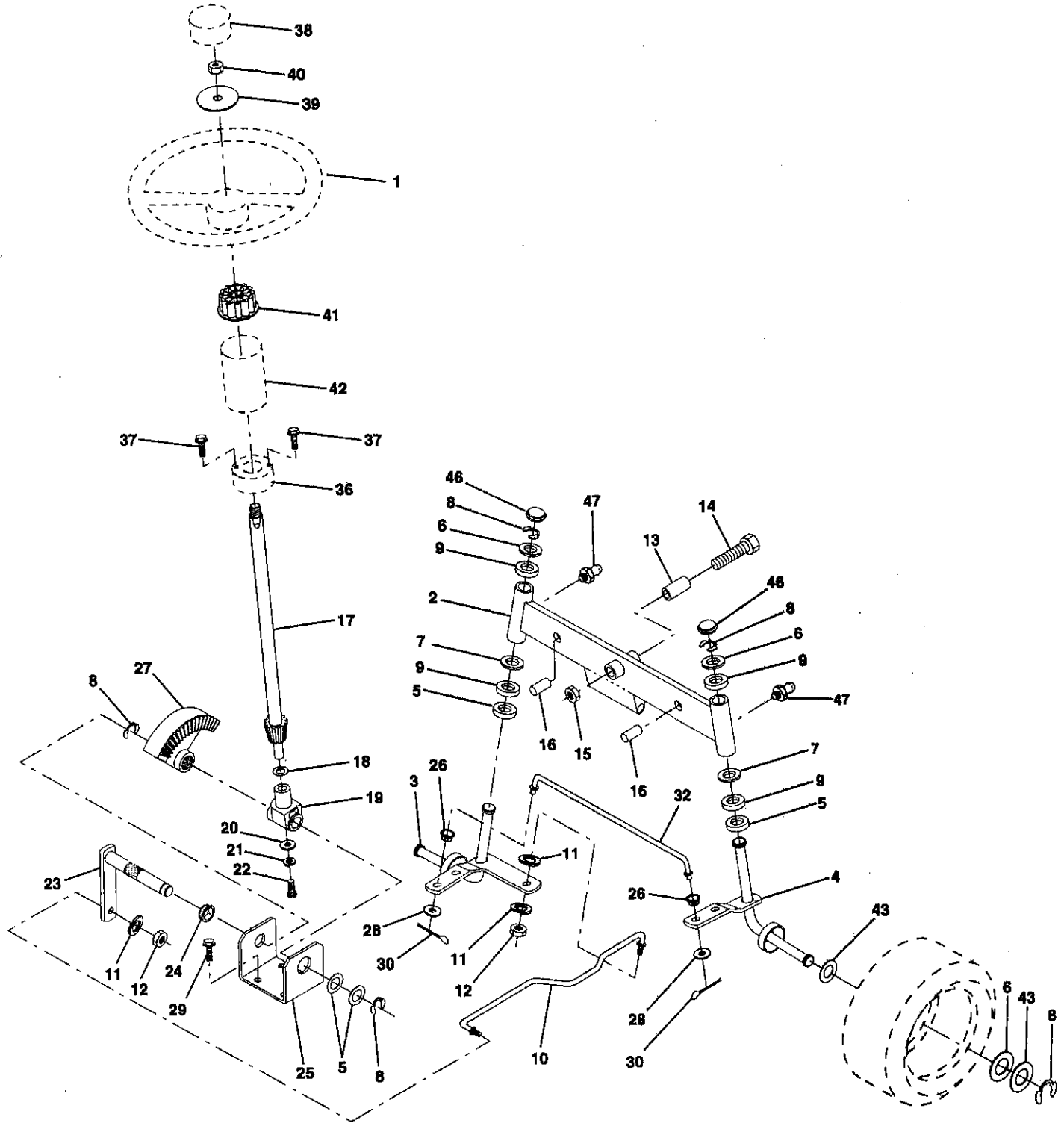
KEY NO.	PART NO.	DESCRIPTION	KEY NO.	PART NO.	DESCRIPTION
1	142602	Transaxle 5sp Std Dana, Model No. 4360-78	42	19131312	Washer 13/32 X 13/16 X 12 Ga
2	146682	Spring Return Brake T/a Zinc	44	105706X	Bearing Nyl 503 X 628 X 1 25
3	123666X	Pulley Transaxle Alum	45	110812X	Washer Hardened
4	12000028	Ring Retainer # 5100-62	46	12000039	Ring Klip #t5304-50
5	121520X	Strap Pnt Torque 30 Deg Blk	47	127783	Pulley Idler V Groove Plastic
6	17490512	Screw Thdrol 5/16-18 X 3/4 Tyt	48	123789X	Bellcrank Asm
7	130802	Plate Pnt Rod Shift T/a (blk)	49	123205X	Retainer Belt Style Spring
8	131679	Rod Shifter Blk (dana)	50	STD523715	Bolt Hex Hd 3/8-16unc X 1-1/2
10	STD561210	Pin Cotter 1/8 X 1 Cad	51	STD541437	Nut Crownlock 3/8-16 Unc
11	105701X	Washer Plate Shf 388 Sq Hole	52	STD541431	Nut Lock 5/16-18 Unc
12	19151216	Washer 15/32 X 3/4 X 16ga	53	105710X	Link Clutch 7 66
13	74550412	Bolt 1/4-28unf Gr8 w/Patch	55	105709X	Spring Return Clutch 6 75
14	STD551125	Washer Lock Hvy Helical 1/4	56	STD523712	Bolt Fin Hex 3/8-16unc X 1-1/4
15	74490544	Bolt Hex FLGHD 5/16-18 Gr.5	57	130801	V-belt Ground Drive 95.25
19	STD541437	Nut Lock 3/8-16 Unc	58	127274X	Keeper Belt Rh Lt Pnt/zinc 16g
21	106933X	Knob Rd 1/2-13 Plstc Thds Blk	59	140312	Retainer Belt Chassis Lh Zinc
22	130804	Rod Brake Lt	61	17490612	Screw Thdrol 3/8-16x3/4 Ty-tt
24	STD541237	Nut Hex Jam 3/8-16 Unc	62	8883R	Cover Pedal Blk Std
25	106888X	Spring Rod Brake 2 00 Zinc	63	140186	Pulley Engine
26	STD551037	Washer 13/32 X 13/16 X 16 Ga	64	71170764	Bolt Finhex 7/16-20 x 4 g5
27	STD561210	Pin Cotter 1/8 X 3/4 Cad	65	STD551143	Washer Lock Hvy Hlcl Spr 7/16
28	145204	Rod Brake Parking Lt/Yt	66	153400	Keeper Belt Engine
29	124236X	Cap Parking Brake Red	70	134683	Guide Belt Dr Mower Rh
30	130807	Bracket Transmission	72	19132012	Washer 13/32 X 1-1/4 X 12 Ga
31	127275X	Keeper Belt Lh Lt 14 Ga	74	109502X	Spacer Split .80x1.94
32	STD523107	Bolt Fin Hex 5/16-18 x 3/4	75	121749X	Washer 25/32 X 1 1/4 X 16 Ga
34	151128	Shaft Asm Pedal Foot	76	STD581075	Ring E #5133-75
35	120183X	Bearing Nylon Blk 629 Id	77	123583X	Key Square 2 0 X 1845/ 1865
36	STD551062	Washer 21/32 X 1 X 16 Ga	78	121748X	Washer 25/32 X 1 5/8 X 16ga
37	STD571810	Pin Roll 3/16 X 1"	110	STD523707	Bolt Fin Hex 3/8-16unc x 3/4
38	123674X	Pulley Idler Fiat	112	19091210	Washer 9/32 X 3/4 X 10 Ga
39	STD523727	Bolt Fin Hex 3/8-16unc X 2-3/4	116	72110610	Bolt Rdhd Sqnk 3/8-16 x 1.25
40	4470J	Spacer Split 395 X 59 Bzp			
41	153399	Keeper Belt Idler			

NOTE: All component dimensions given in U.S. inches
1 inch = 25.4 mm

REPAIR PARTS

TRACTOR - - MODEL NUMBER

STEERING ASSEMBLY



REPAIR PARTS

TRACTOR - - MODEL NUMBER 917.256350

STEERING ASSEMBLY

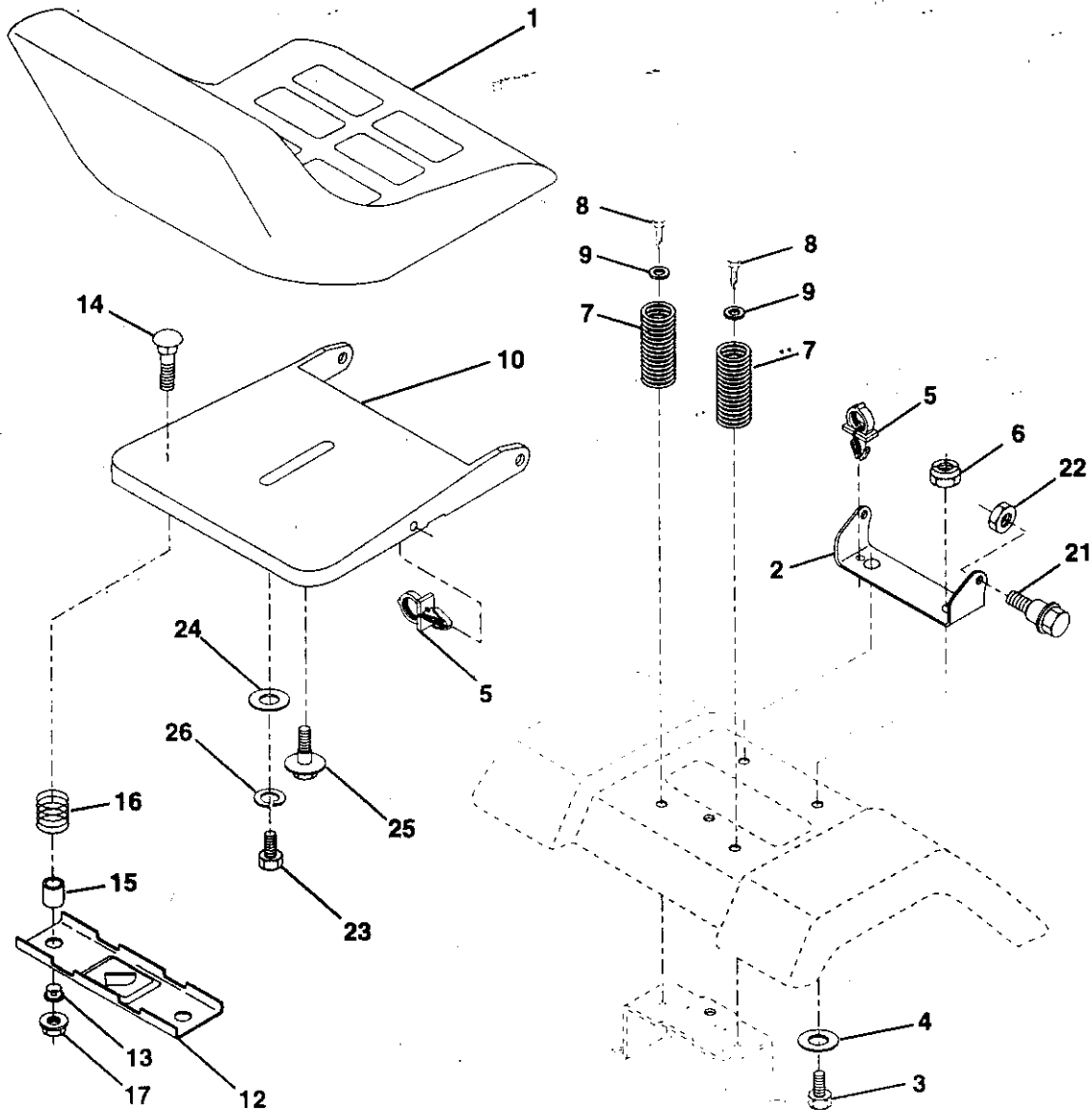
KEY NO.	PART NO.	DESCRIPTION
1	139768	Wheel Steering Std Black
2	142033	Axle Asm Front
3	135227	Spindle Asm Lh
4	135228	Spindle Asm Rh
5	6266H	Bearing Race Thrust Harden
6	121748X	Washer 25/32 X 1 5/8 X 16ga
7	19272016	Washer 27/32 X 1 1/4 X 16 Ga
8	12000029	Ring Klip #t5304-75
9	3366R	Bearing Col Strg Blk
10	130468	Link Drag Sol Ball Jt 20*064
11	STD551137	Washer Lock Hvy Hlcl Spr 3/8
12	73610600	Nut Fin Hex 3/8-24 Unf
13	110438X	Spacer Bearing Axle Front
14	74011056	Bolt Hex 5/8-11 Unc X 3-1/2
15	73901000	Locknut Flange 5/8-11 Unc
16	132624	Pin Axle 5/8 X 1 55/1 54 Lg
17	132614	Shaft Asm Strg 5/8 X 15 19 Lt
18	57079	Washer Thrust 515x 750x 033
19	124035X	Support Shaft
20	126684X	Washer Shim 1/4 X 5/8 X .062
21	STD551125	Washer Lock Hvy Helical 1/4
22	71100410	Screw Cap Sckt Hd Phos & Oil
23	127501	Shaft Asm Pittman
24	109816X	Nyliner Snap In
25	124036X	Bracket Steering
26	126847X	Bushing Rod Tie Blk Lt
27	136874	Gear Sector
28	19131416	Washer 13/32 X 7/8 X 16ga
29	17490612	Screw Thdrol 3/8-16x3/4 Ty-tt
30	STD561210	Pin Cotter 1/8 X 3/4 Cad
32	130465	Rod Tie Wire Form 19 75 Mech
36	132196	Bushing Strg 5/8 Id Dash
37	STD611005	Screw Slftp #10-16 X 1/2 Ty-b
38	139769	Insert Cap Strg Wheel Std Blk
39	19133808	Washer 13/32 X 2-3/8 X 8 Ga
40	STD541537	Nut Lock Center 3/8-24unf
41	104820X	Adaptor Wheel Strg 640/ 635id
42	124417X	Boot Shaft Steering
43	121749X	Washer 25/32 X 1 1/4 X 16 Ga
46	121232X	Cap Spindle Fr Top Blk
47	6855M	Fitting Grease
62	149684	Kit, Steering Assembly, Service

NOTE: All component dimensions given in U.S. inches
1 inch = 25.4 mm

REPAIR PARTS

TRACTOR - - MODEL NUMBER 917.256350

SEAT ASSEMBLY



KEY NO.	PART NO.	DESCRIPTION
1	151205	Seat
2	140551	Bracket Pnt Pivot Seat (blk)
3	STD523710	Bolt Fin Hex 3/8-16unc X 1
4	19131610	Washer 13/32 X 3/4 X 10 Ga
5	145006	Clip Push In Hinged
6	STD541437	Nut Crownlock 3/8-16 Unc
7	124181X	Spring Seat Cprsn 2 250 Blk Zi
8	17490616	Screw Thdrol 3/8-16 X 1 Ty-tt
9	19131614	Washer 13/32 X 1 X 14 Ga
10	140552	Pan Pnt Seat (blk)
12	121246X	Bracket Pnt Mounting Switch
13	121248X	Bushing Snap Blk Nyl 50 Id

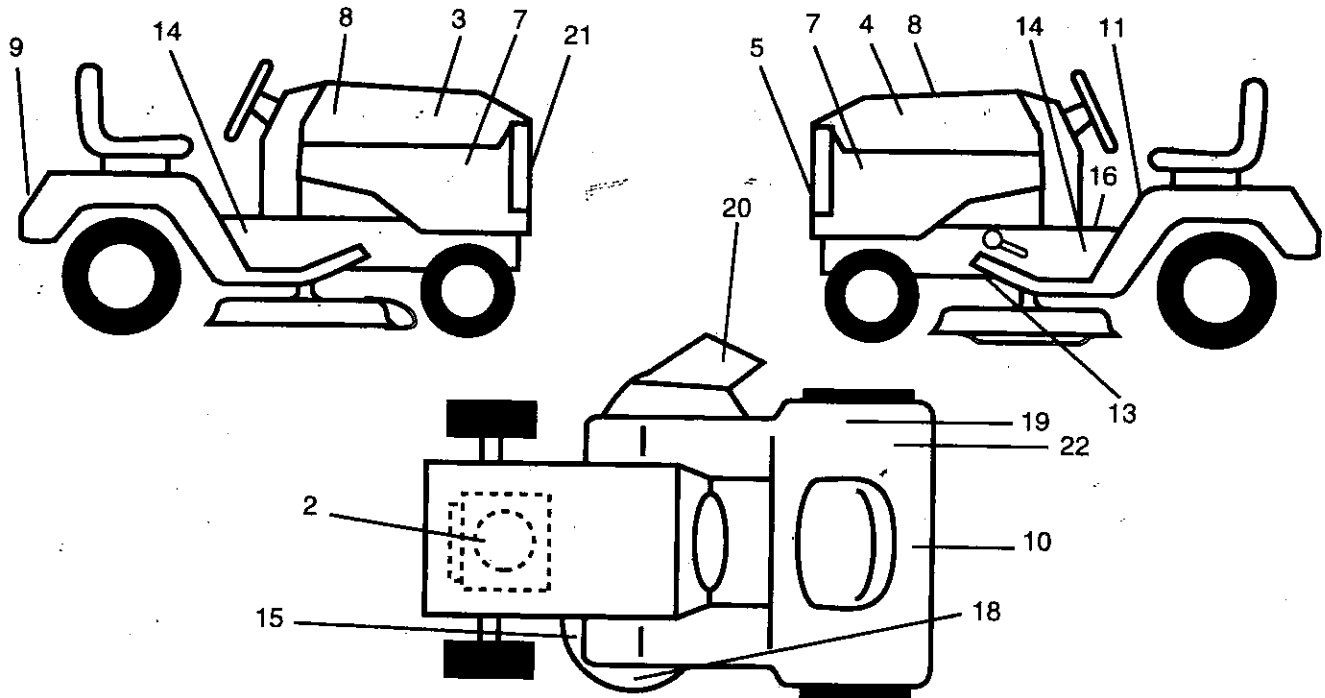
KEY NO.	PART NO.	DESCRIPTION
14	72050411	Bolt Rdhd Sht Nk 1/4-20x1-3/8
15	134300	Spacer Split 28 X 96 Zinc
16	121250X	Spring Cprsn 1 27 Blk Pnt
17	123976X	Nut Lock 1/4 Lge Flg Gr 5 Zinc
21	153236	Bolt Shoulder 5/16-18 Unc
22	STD541431	Nut Crown Lock 5/16-18
23	74780814	Bolt Fin Hex 1/2-13 X 7/3 Gr 5
24	19171912	Washer 17/32 X 1-3/16 X 12 Ga
25	127018X	Bolt Shoulder 5/16-18 X 62
26	STD551150	Washer Lock Hvy Hlcl Spr 1/2

NOTE: All component dimensions given in U.S. inches.
1 inch = 25.4 mm

REPAIR PARTS

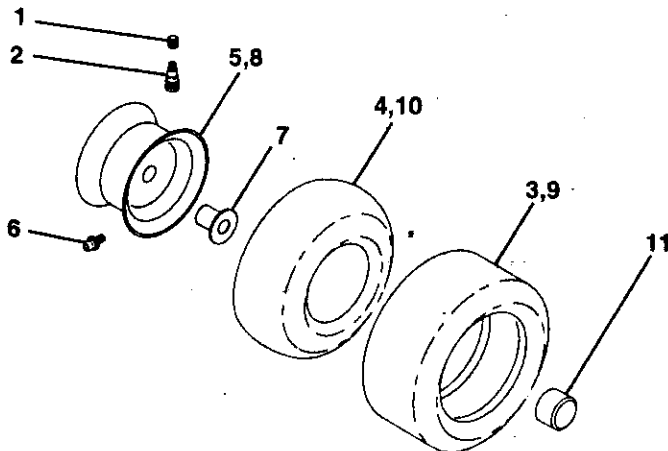
TRACTOR -- MODEL NUMBER 917.256350

DECALS



KEY NO.	PART NO.	DESCRIPTION	KEY NO.	PART NO.	DESCRIPTION
2	272936	Decal Engine 12.5 Hp B&S IC Crafts	15	136832	Decal Mower Drive Schematic 38
3	151815	Decal Hood Slope Rh Craftsman	16	140837	Decal, Brake Parking Saddle
4	151816	Decal Hood Slope Lh Craftsman	18	133179	Decal Mower Qc System
5	132674	Decal Grille	19	125690X	Decal 100 DBA
7	142249	Decal Panel Side l/c	20	145494	Decal Mower Cutfinger Symbol
8	142252	Decal Insert Hood Blk	21	131265	Decal Lightbox
9	125880X	Decal Fender Craftsman Red	22	145437	Decal Europe Stand CE
10	149451	Decal Btry Dngr/Psn Eng. Acme	--	138311	Decal Lift Handle
11	145498	Decal Read Owner's Manual Syms	--	153775	Manual, Parts
13	146046	Decal V-belt Dr Sch Tractor	--	153773	Manual, Oper. Euro
14	105809X	Decal Chassis 5 Sp 38"	--	153774	Manual, Oper. Scan

WHEELS & TIRES



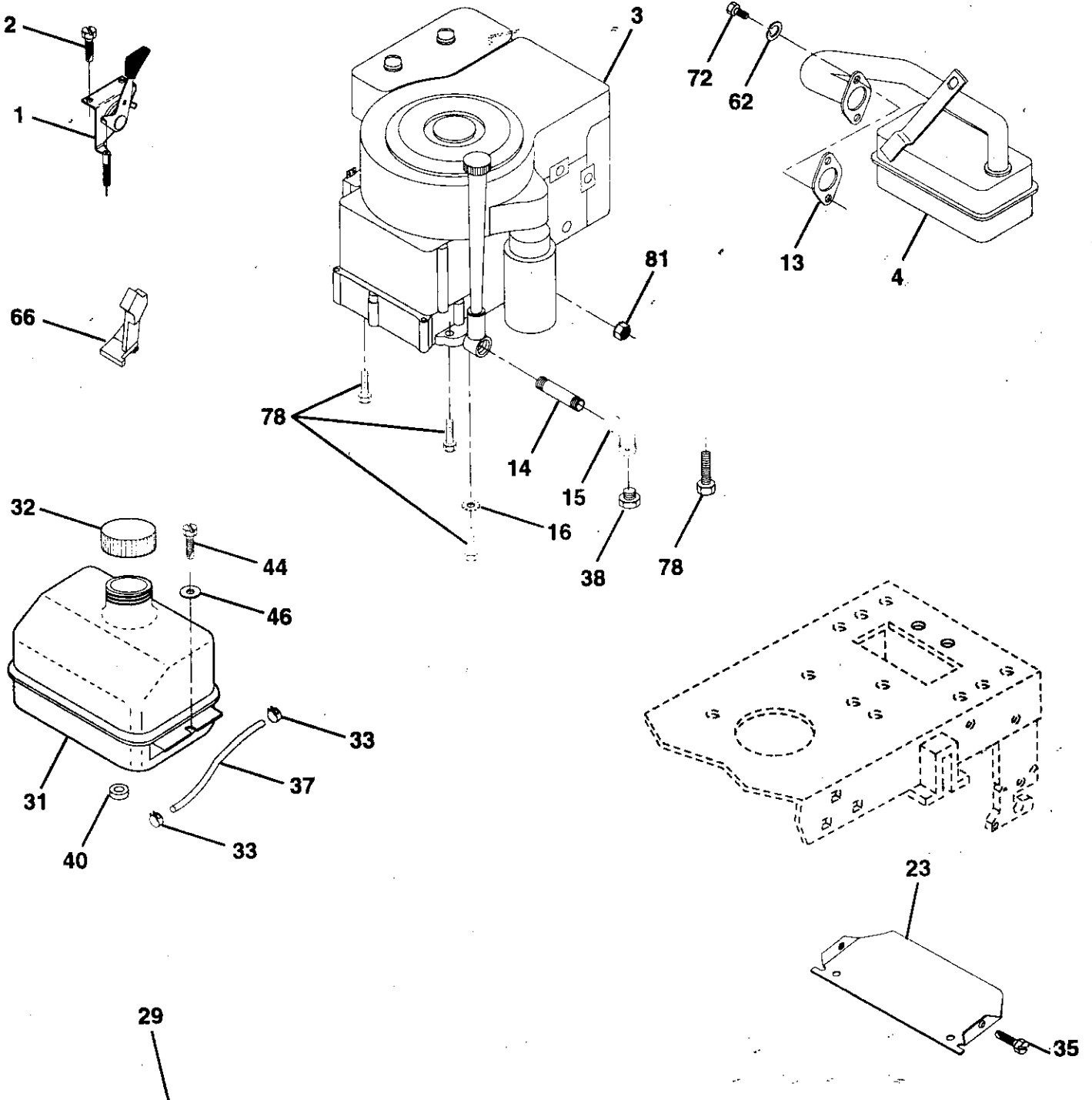
KEY NO.	PART NO.	DESCRIPTION
1	59192	Cap Value Tire
2	65139	Stem Value
3	106222X	Tire F Ts 15 X 6 0 - 6 Service
4	59904	Tube Inner Front #35060
5	106732X417	Rim Asm 6"front White Service
6	278H	Fitting Grease
7	9040H	Bearing Flange
8	106108X417	Rim Asm 8"rear White Service
9	124635X	Tire R Ts 18x8 5-8 Service
10	7152J	Tube Rear 9 5 X 8 Service
11	104757X	Cap Axle Blk 1 50 X 1 00
--	144334	Sealant, Tire (10 oz. Tube)

NOTE: All component dimensions given in U.S. inches.
1 inch = 25.4 mm

REPAIR PARTS

TRACTOR - - MODEL NUMBER 917.256350

ENGINE



OPTIONAL EQUIPMENT
Spark Arrester

REPAIR PARTS

TRACTOR - - MODEL NUMBER 917.256350

ENGINE

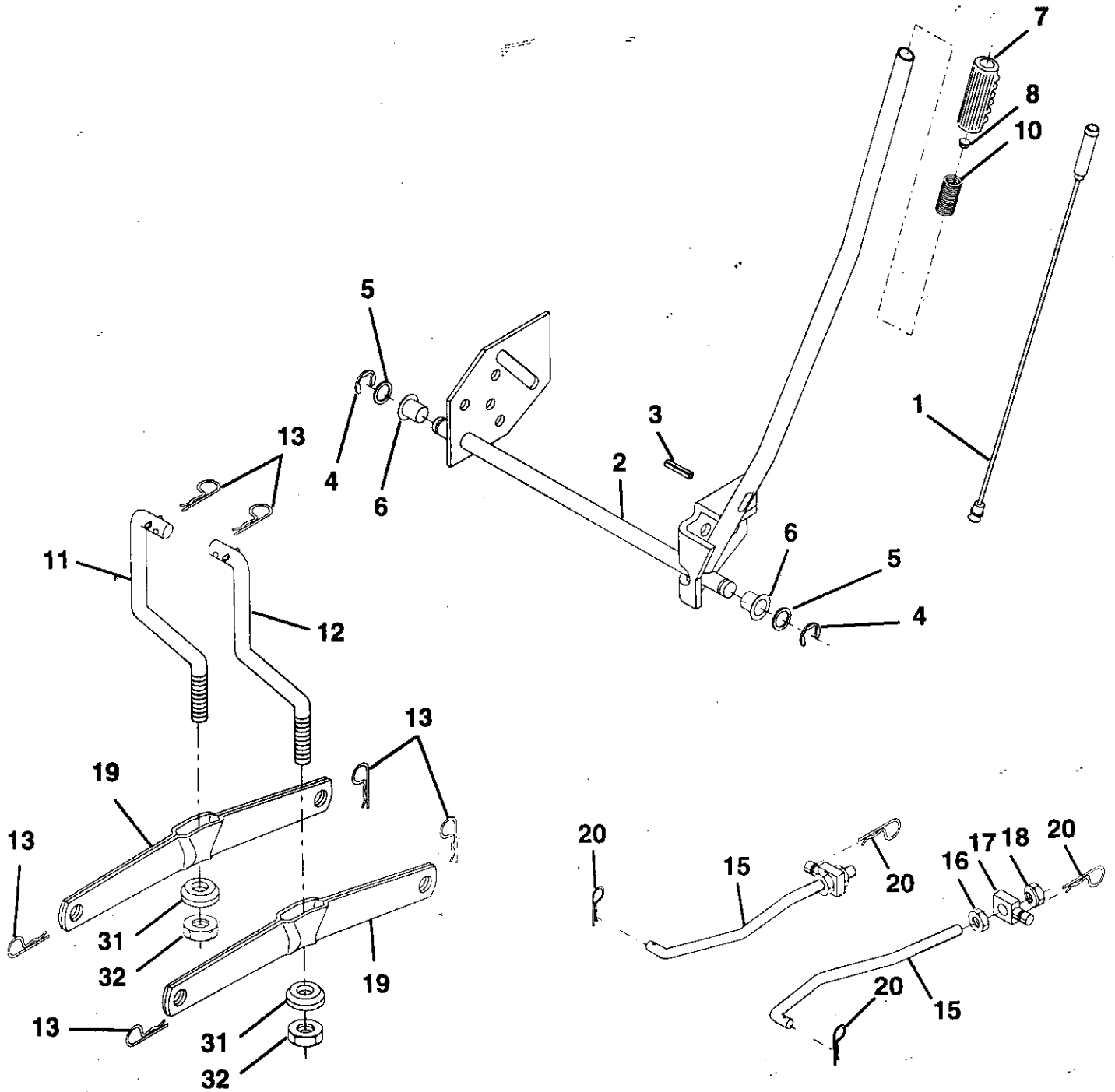
KEY NO.	PART NO.	DESCRIPTION
1	153854	Control Throt
2	17720410	Screw Hex Thd Cut 1/4-20x5/8 T
3	150453	Engine B&S 10.5-12.5 IC, DC Model No. 289707, -0179-01
4	137348	Muffler Exhaust B&S Lt
13	272293	Gasket 1 313 Id Tin Plated
14	13280324	Nipple Pipe 3/8 Npt X 3"
15	13200300	Elbow Std 90 Degree 3/8-18 Npt
16	STD551237	Washer Lock Ext Tooth 3/8
23	150554	Shield Pnt Heat Browning Grass
29	137180	Arrestor Spark
31	109202X	Tank Fuel 1.25 Fr
32	123549X	Cap Asm Fuel W/sym Vented
33	123487X	Clamp Hose Blk
35	17490512	Screw Thdrol 5/16-18 x 3/4 Tyt
37	137040	Line Fuel 20"
38	-----	Plug Oil Drain (Order From Engine Manufacturer)
40	124028X	Bushing Snap Nyl Blk Fuel Line
44	17490412	Screw Hexwsh Thdrol 1/4-20x3/4
46	19091416	Washer 9/32 X 7/8 X 16ga
62	STD551131	Washer Lock Hvy Hlcl Spr 5/16
66	127951	Stop Throttle 3000 Rpm
72	71070512	Screw Hexhd Cap 5/16-18x3/4
78	17490620	Screw Thdrol 3/8-16x1-1/4 Tytt
81	128861	Nut Flange 1/4-20 Starter Nut

NOTE: All component dimensions given in U.S. inches
1 inch = 25.4 mm

REPAIR PARTS

TRACTOR - - MODEL NUMBER 917.256350

LIFT



REPAIR PARTS

TRACTOR - - MODEL NUMBER 917.256350

LIFT

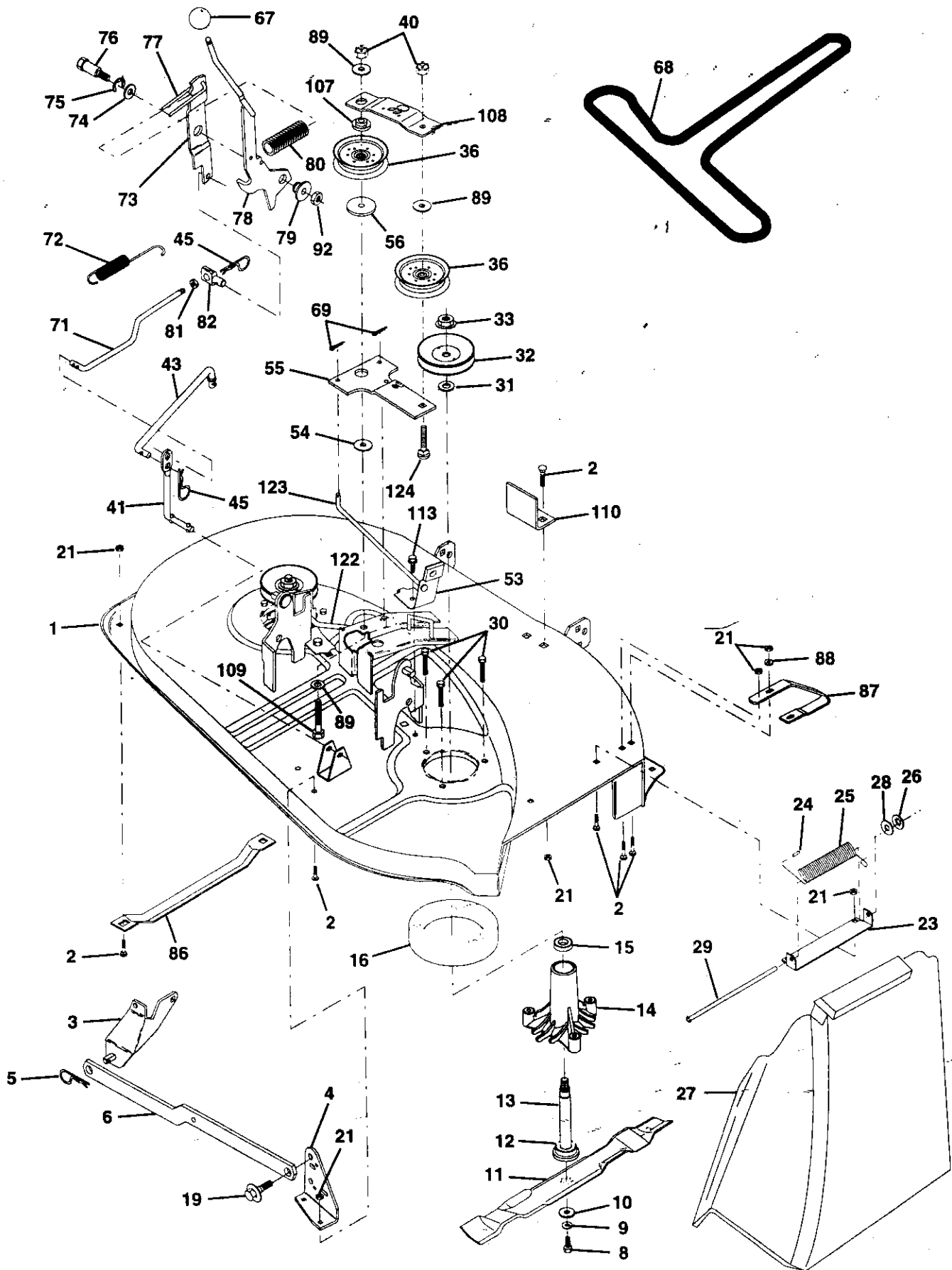
KEY NO.	PART NO.	DESCRIPTION
1	136973	Rod Asm. Lever
2	122507X	Shaft Asm. Lift
3	105767X	Pin Groove
4	12000002	E Ring #5133-62
5	19211621	Washer 21/32 x 1 x 21 Ga.
6	120183X	Bearing Nylon
7	125631X	Grip Handle Fluted
8	122365X	Button Plunger Read
10	122512X	Spring Cprsn
11	139865	Lift Asm. Link LH
12	139866	Lift Asm. Link RH
13	4939M	Retainer Spring
15	127218	Link Front
16	73350800	Nut Jam Hex 1/2-13 Unc
17	130171	Trunnion Blk Zinc
18	73800800	Nut Lock W/Wsh 1/2-13 Unc
19	139868	Arm Suspension Mower
20	3146R	Retainer Spring
31	140302	Bearing, Pvt. Lift. Spherical
32	73540600	Nut Crownlock 3/8-24

NOTE: All component dimensions given in U.S. inches
1 inch = 25.4 mm

REPAIR PARTS

TRACTOR -- MODEL NUMBER 917.256350

MOWER



REPAIR PARTS

TRACTOR - - MODEL NUMBER 917.256350

MOWER

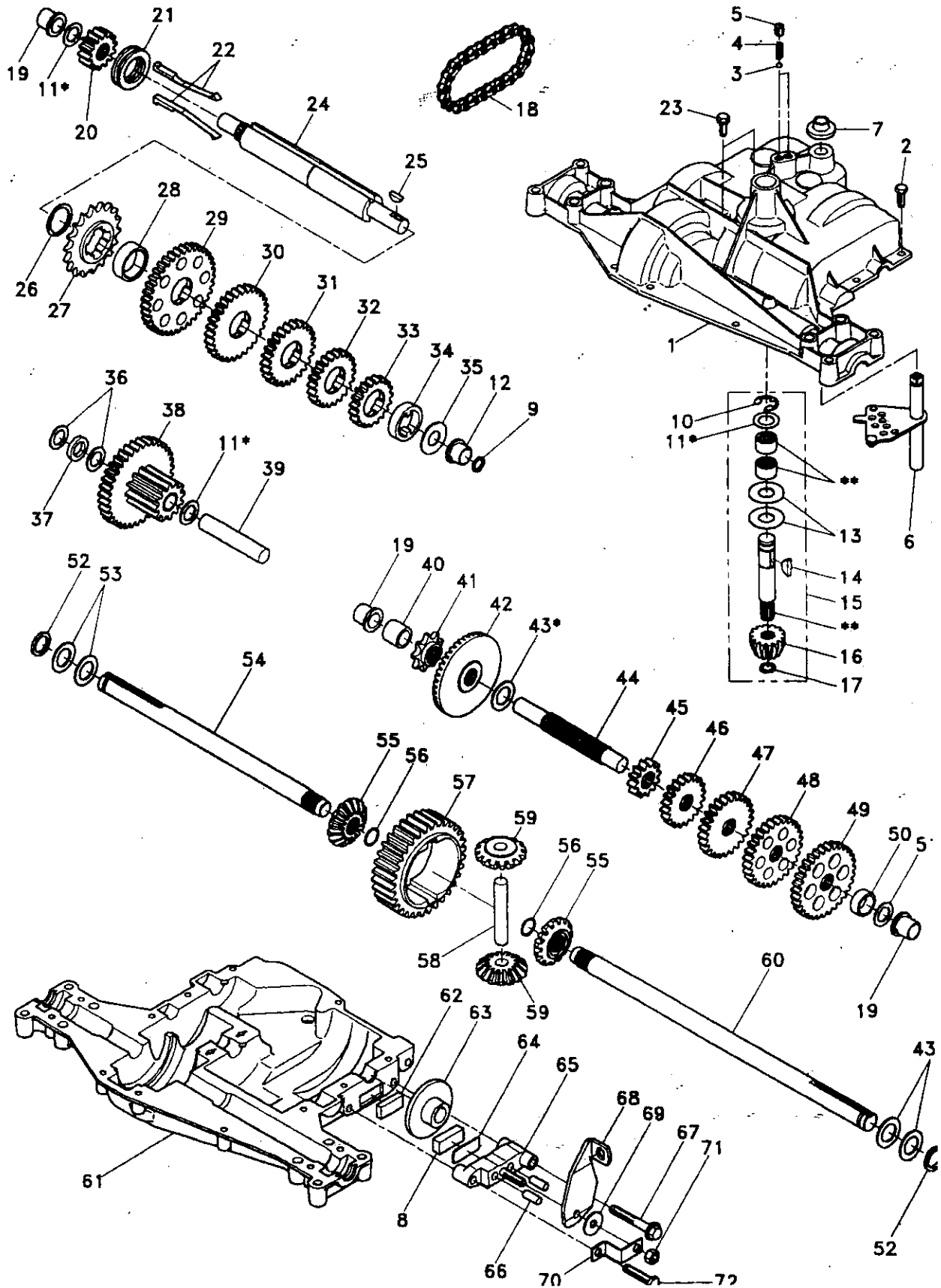
KEY NO.	PART NO.	DESCRIPTION	KEY NO.	PART NO.	DESCRIPTION
1	142829	Mower Housing Assembly	56	122052X	Spacer, Retainer 1-3/4
2	STD533107	Bolt, Carriage 5/16-18 x 3/4	67	149846	Knob
3	138017	Bracket Asm. Fram Sway Bar 38/42	68	144200	Belt
4	138440	Bracket, Asm. Deck Sway Bar 38"	69	STD560907	Pin, Cotter 3/32 x 3/4
5	4939M	Retainer, Spring	71	142427	Rod, Clutch, Primary
6	130832	Asm. Suspension Rear	72	131870	Spring, Return
8	850857	Bolt, Hex 3/8-24 x 1-1/4 Grade 8	73	127847	Arm, Clutch, Secondary
9	STD551137	Washer, Lock, Hvy Hlcl Spring 3/8	74	121748X	Washer 25/32 x 1-5/8 x 16 Gauge
10	140296	Washer, Hard Blade Mower Vented	75	12000029	Ring, Klip
11	134148	Blade, Mower, Mulching 38"	76	128903	Bolt, Shoulder
12	129895	Ball Bearing	77	127845	Keeper, Spring
13	137645	Shaft and Bearing Assembly (Includes Key Number 15)	78	140334	Arm, Clutch, Primary
14	128774	Mandrel Housing, Vented	79	127498	Bushing
15	110485X	Ball Bearing, Mandrel	80	128759	Spring
16	140329	Stripper, Mower, Vented	81	73350600	Nut Hex Jam 3/8-16 UNC
19	132827	Bolt, Shoulder	82	142028	Trunnion Adj 94
21	STD541431	Nut, Crownlock 5/16-18	86	7631J	Runner, LH
23	137607	Bracket, Mower Deflector	87	128772	Runner, RH
24	105304X	Cap, Sleeve	88	19111216	Washer 11/32 x 3/4 x 16 Gauge
25	123713X	Spring, Deflector	89	19131612	Washer 13/32 x 1 x 12 Gauge
26	110452X	Nut, Push	92	73800600	Nut Lock Hex w/Ins 3/8-16 UNC
27	106736X	Shield, Deflector	107	133502	Spacer, Retainer
28	19111016	Washer 11/32 x 3/4 x 16 Gauge	108	133503	Stiffener, Idler Arm
29	106735X	Rod, Hinge	109	74760640	Bolt, Hex Head 3/8-16 x 2-1/2
30	138776	Screw, Thdrol Hex Hd	110	142587	Upstop Deck Front 38"
31	129963	Washer, Spacer	113	17490512	Screw, Hex Head, Thd., Roll. 5/16-18 x 3/4
32	153532	Pulley, Mandrel	122	131289	Rod, Brake, LH
33	137266	Nut, Flangelock 9/16	123	131288	Rod, Brake, RH
36	131494	Pulley, Idler, Flat	124	STD533717	Bolt, Carriage 3/8-16 x 1-3/4
40	STD541437	Nut, Crownlock 3/8-16	--	130794	Mandrel Assembly (Includes Key Numbers 12-15, 17-19, 31 and 33)
41	133551	Rod, Pivot	--	142820	Mower Deck, Complete
43	133504	Rod, Clutch, Secondary			
45	STD624003	Retainer, Spring			
53	130840	Brake Assembly			
54	133943	Washer Hardened			
55	133840	Idler Arm Assembly			

NOTE: All component dimensions given in U.S. inches
1 inch = 25.4 mm

REPAIR PARTS

TRACTOR - - MODEL NUMBER 917.256350

DANA TRANSAXLE - MODEL NUMBER 4360-78



REPAIR PARTS

TRACTOR - - MODEL NUMBER 917.256350

DANA TRANSAXLE - MODEL NUMBER 4360-78

KEY PART NO. NO.	DESCRIPTION	KEY PART NO. NO.	DESCRIPTION
1 142671	Housing, Upper	41 105928X	Sprocket, 9 Teeth (Reverse)
2 2274J	Screw, Self-Tapping, Large 1/4-20 x .734	42 110084X	Gear, Bevel, 42 Teeth
3 134400	Ball, Detent	43 134394	* Assembly, Kit, Shim .750 Shaft
4 105904X	Spring, Detent	44 120473X	Shaft, Drive
5 105905X	Screw, Set	45 142678	Gear, Spur, 12 Teeth (1 ^a)
6 138235	Kit, Shifter Assembly	46 120407X	Gear, Spur, 20 Teeth (2 ^a)
7 134399	Boot, Shifter	47 106589X	Gear, Spur, 25 Teeth (3 ^a)
8 120951X	Puck, Friction	48 120408X	Gear, Spur, 28 Teeth (4 ^a)
9 143045	Seal, Oil	49 105937X	Gear, Spur, 31 Teeth (5 ^a)
10 142672	Ring, Retaining	50 105936X	Spacer .781 x 1.00 x .375
11 134793	* Assembly, Kit, Shim .625 Shaft	51 2226J	Washer, Plain .632 x 1.00 x .060
12 143051	Bearing, Flange	52 134401	Washer, Neoprene
13 120415X	Washer, Plain .632 x 1.38 x .046	53 2264J	Washer, Plain .758 x 1.25 x .031
14 142674	Key, Woodruff, #9	54 120474X	Axle, L.H.
15 138234	Assembly, Kit, Input Shaft	55 110081X	Gear, Miter, 15 Teeth
16 110078X	Pinion, Bevel, 14 Teeth	56 105941X	Ring, Retaining
17 105909X	Ring, Retaining	57 110071X	Gear, Spur, 32 Teeth
18 105910X	Chain, 24 Pitches	58 120952X	Shaft, Cross
19 105911X	Bearing, Flange	59 110082X	Gear, Miter, 15 Teeth
20 142675	Gear, Spur, 14 Teeth	60 120475X	Axle, R.H.
21 138246	Collar, Clutch	61 142680	Housing, Lower
22 138236	Assembly, Kit, Clutch Keys	62 120961X	Puck, Friction
23 134791	Screw, Tapping w/Sealer	63 7294J	Disc, Brake
24 142676	Shaft, Intermediate	64 108989X	Spacer
25 2244J	Key, Woodruff, #61	65 120953X	Jaw, Brake
26 105916X	Ring, Retaining	66 120954X	Pin, Dowel
27 120470X	Sprocket, 18 Teeth (Reverse)	67 134799	Screw, Self-Tapping, Large 5/16-18 x 2.25
28 110070X	Spacer	68 138244	Lever, Actuating
29 142677	Gear, Spur, 37 Teeth (1 ^a)	69 108996X	Washer, Plain .321 x 1.00 x .055
30 120405X	Gear, Spur, 30 Teeth (2 ^a)	70 120956X	Bracket, Anti-Rotation
31 108980X	Gear, Spur, 25 Teeth (3 ^a)	71 73810500	Locknut 5/16-24
32 120406X	Gear, Spur, 22 Teeth (4 ^a)	72 106596X	Screw, Self-Tapping, Large 5/16-18 x 1.44
33 134796	Gear, Spur, 19 Teeth (5 ^a)	73 120416X	Grease
34 134797	Spacer 1.133 x 1.50 x .375		
35 105925X	Washer, Plain .640 x 1.37 x .061		
36 2232J	Washer, Plain .632 x 1.00 x .026		
37 108978X	Spacer .630 x 1.00 x .169		
38 110079X	Assembly, Gear, Combination of 12 Teeth and 35 Teeth		
39 124639X	Shaft, Idler		
40 120472X	Spacer .635 x .875 x .755		

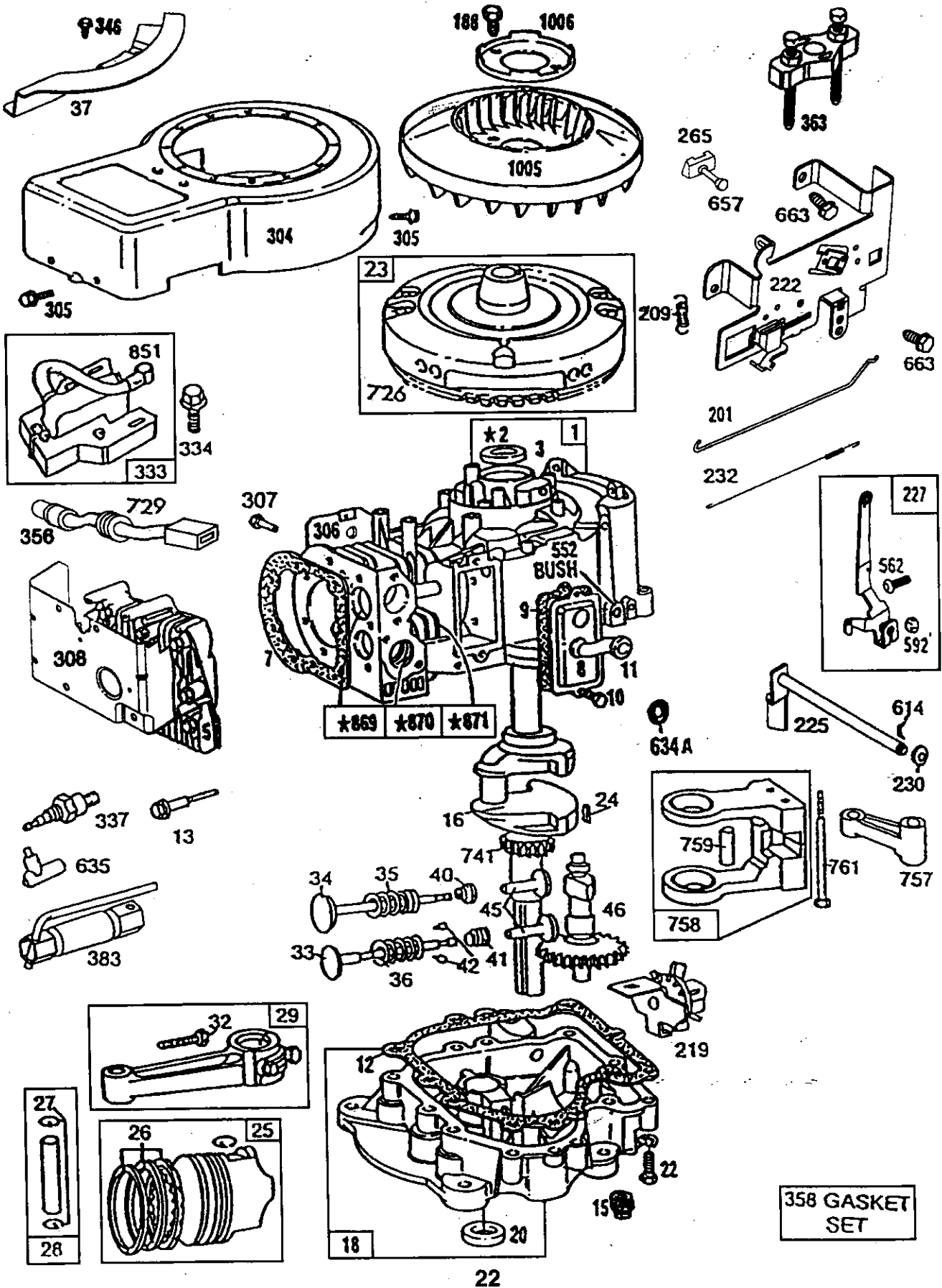
* Use in combinations to maintain proper clearances
 ** Order Key No. 15

NOTE: All component dimensions given in U.S. inches
 1 inch = 25.4 mm

REPAIR PARTS

TRACTOR - - MODEL NUMBER 917.256350

BRIGGS & STRATTON ENGINE - MODEL NUMBER 289707, TYPE NUMBER 0179-01

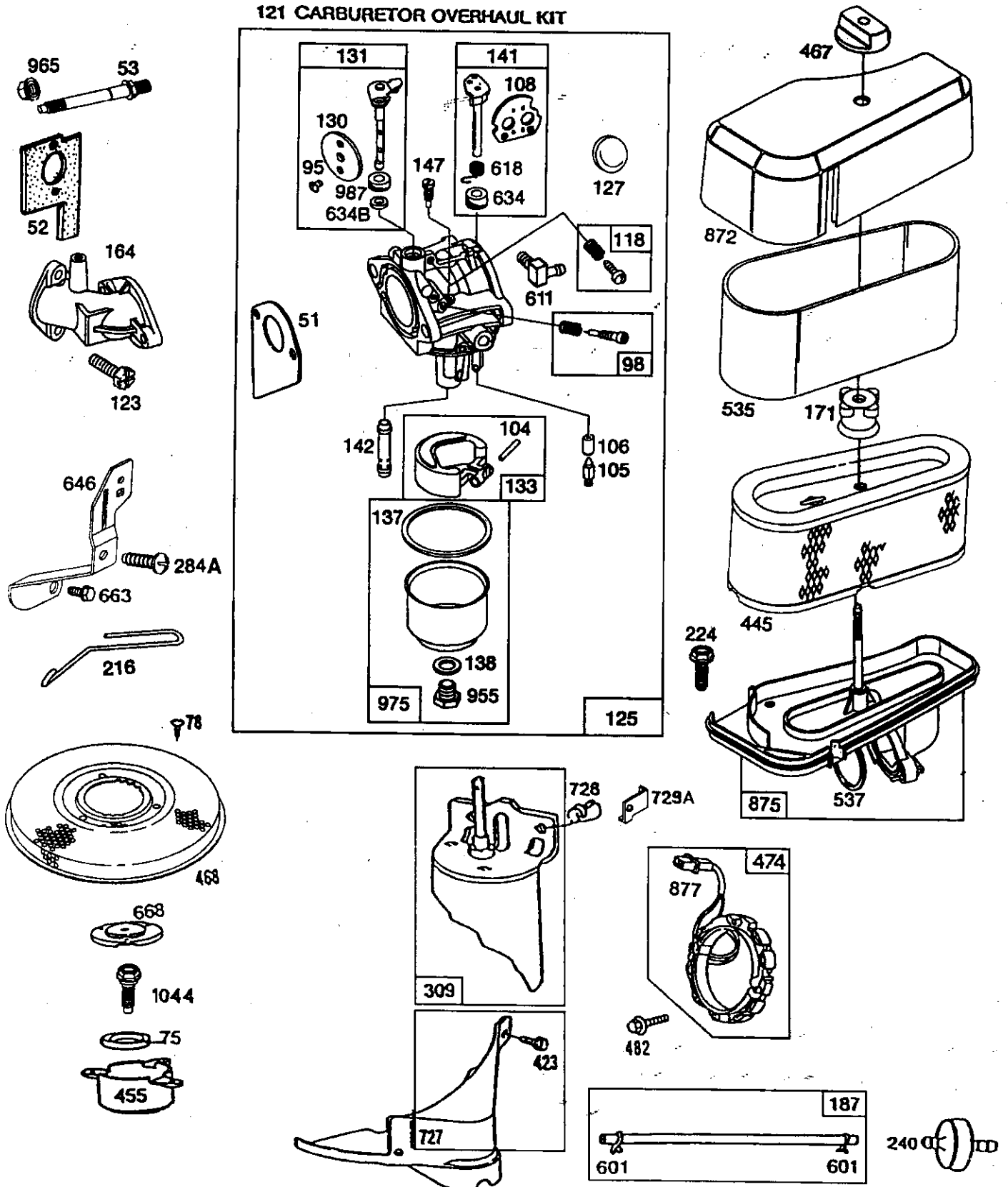


REPAIR PARTS

TRACTOR -- MODEL NUMBER 917.256350

BRIGGS & STRATTON ENGINE - MODEL NUMBER 289707, TYPE NUMBER 0179-01

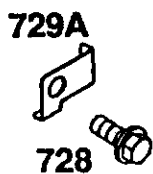
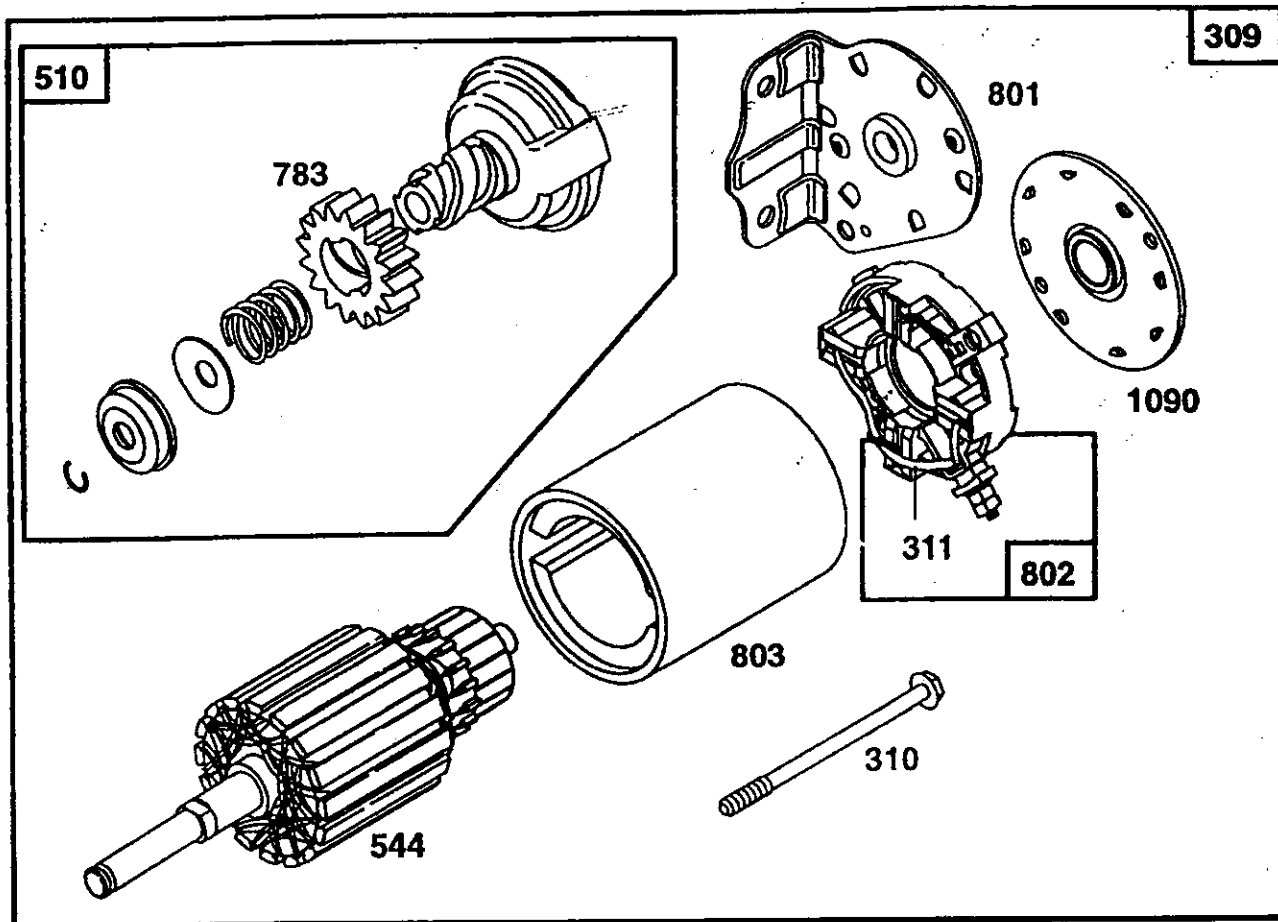
121 CARBURETOR OVERHAUL KIT



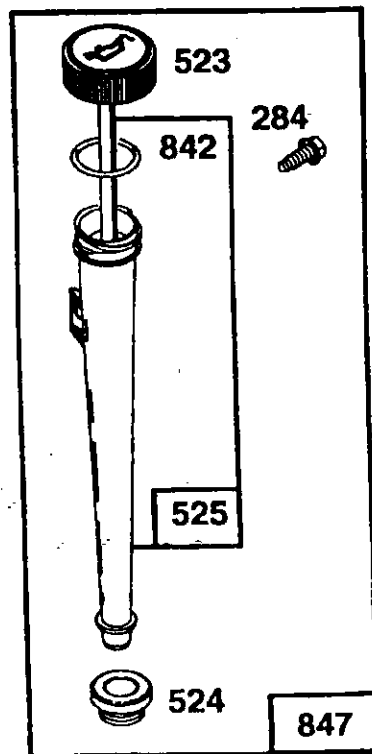
REPAIR PARTS

TRACTOR - - MODEL NUMBER 917.256350

BRIGGS & STRATTON ENGINE - MODEL NUMBER 289707, TYPE NUMBER 0179-01



1058 OWNER'S MANUAL



REPAIR PARTS

TRACTOR - - MODEL NUMBER 917.256350

BRIGGS & STRATTON ENGINE - MODEL NUMBER 289707, TYPE NUMBER 0179-01

KEY PART NO.	NO.	DESCRIPTION	KEY PART NO.	NO.	DESCRIPTION
1	496413	Cylinder Assembly	52	272554	* Gasket, Carburetor
2	399265	Bearing, Cylinder (Requires Special Tools For Installation)	53	94637	Stud, Carburetor Mounting
3	391086	* Seal, Oil	75	224061	Washer, Spring
5	494240	Head, Cylinder	78	93805	Screw, Sems
7	271866	* Gasket, Cylinder Head	95	94098	** Screw, Throttle
8	391406	Breather Assembly	98	495800	Screw, Idle Speed
9	27803	* Gasket, Valve Cover	104	231789	** Pin, Float Hinge
10	94621	Screw, Sems	105	231855	** Valve Assembly, Inlet Needle
11	280100	Tube, Breather	106	231854	Inlet, Valve Seat
12	271916	* Gasket, Crankcase Cover 1/64"	108	224540	Valve, Choke
	271997	* Gasket, Crankcase Cover .005"	118	494383	** Valve, Needle
	271996	* Gasket, Crankcase Cover .009"	121	497535	Carburetor Overhaul Kit
13	94622	Screw, Cylinder Head	123	94616	Screw, Elbow Mounting
15	94239	Plug, Oil Drain	125	495706	Carburetor Assembly
16	495162	Crankshaft	127	- - -	** Plug, Welch (Sold in Kit Only)
	94196	Key, Timing Gear	130	224539	Valve, Throttle
18	494238	Base, Engine	131	494379	Shaft and Lever, Throttle
20	291675	* Seal, Oil	133	494381	Float, Carburetor
22	94624	Screw, Sems, Base Mounting	137	281165	*** Gasket, Float Bowl
23	492326	Flywheel and Ring Gear Assembly, Magneto	138	281164	*** Washer, Float Bowl Screw
24	222698	Key, Flywheel	141	494380	** Shaft and Lever, Choke
25	394661	Piston Assembly, Standard	142	494537	** Nozzle / Jet, Carburetor
	394662	Piston Assembly .010" Oversize	147	497472	** Pilot, Jet
	394663	Piston Assembly .020" Oversize	164	213819	Carburetor, Elbow
	394664	Piston Assembly .030" Oversize	171	281051	Nut, Air Cleaner Mounting
26	391780	Ring Set, Piston, Standard Size	187	393815	Line, Fuel
	392331	Ring Set, Piston, Chrome, Standard	188	93535	Screw, Sems
	391781	Ring Set, Piston .010" Oversize	201	262767	Link, Governor
	391782	Ring Set, Piston .020" Oversize	209	260871	Spring, Governor
	391783	Ring Set, Piston .030" Oversize	216	262766	Link, Choke
27	260924	Lock, Piston Pin	219	490815	Oil Slinger, Governor Gear and Bracket Assembly
28	299691	Pin Assembly, Piston, Standard	222	494887	Plate, Governor Control
	391286	Pin Assy., Piston .005" Oversize	224	94513	Screw, Sems, Air Cleaner
29	490348	Rod Assembly, Connecting	225	495157	Crank, Governor
	490469	Rod Assembly, Connecting, .020" Undersize Crankpin Bore	227	493935	Lever Assembly, Governor
32	94671	Screw, Connecting Rod	230	94742	Washer, Governor Crank
33	262246	Valve, Exhaust	232	262785	Spring, Governor Link
34	262247	Valve, Intake	240	394358	Filter, Fuel
35	65906	Spring, Intake Valve	265	221535	Clamp, Casing
36	26828	Spring, Exhaust Valve			* Included in Gasket Set (494241)
37	224502	Guard, Flywheel			** Included in Carburetor Overhaul Kit (497535)
40	221596	Retainer, Intake Valve			*** Included in both Carburetor Overhaul Kit (497535) and Carburetor Gasket Set (494385)
41	292260	Rotocoil, Exhaust Valve			
42	93630	Retainer, Exhaust Valve Rotocoil			
45	262248	Tappet, Valve			
46	212897	Gear, Cam			
51	272465	*** Gasket, Carburetor (to Elbow)			

NOTE: All component dimensions given in U.S. inches
1 inch = 25.4 mm

REPAIR PARTS

TRACTOR - - MODEL NUMBER 917.256350

BRIGGS & STRATTON ENGINE - MODEL NUMBER 289707, TYPE NUMBER 0179-01

KEY PART NO. NO.	DESCRIPTION	KEY PART NO. NO.	DESCRIPTION
284 94073	Screw, Shoulder, Hex Washer Head	726 392134	Gear, Ring (Includes Mounting Parts)
284A 94704	Screw, Hex Head	727 490324	Cover, Starter (Includes Mounting Screws)
304 496319	Housing, Blower	728 94627	Screw, Hex Head
305 94619	Screw, Sems, Blower Housing Mounting	729 281159	Clip, Lead Wire
306 224545	Shield, Cylinder	729A 225170	Retainer Wire
307 94623	Screw, Sems, Cylinder Shield Mounting	741 262135	Gear, Timing
308 491490	Cover, Cylinder Head	757 212359	Link, Counterweight
309 497595	Motor, Starter	758 399891	Counterweight Assembly
310 497602	Bolt, Thru	759 298909	Pin, Counterweight
311 497608	Brush Set	761 93875	Screw, Counterweight
333 492341	Armature, Magneto	783 280104	Gear, Starter
334 93381	Screw, Sems, Armature Mounting	801 394856	Cap, Drive
337 802592	Plug, Spark	802 497605	Cap, End
346 93705	Screw, Hex Head	803 497604	Housing, Starter
356 494328	Wire, Ground	842 270920	Seal, Oil Filler Cap
358 494241	Gasket Set	847 496415	Fill Group, Oil
363 19203	Puller, Flywheel	851 221798	Terminal, Ignition Cable
383 89838	Wrench, Spark Plug	869 261463	Seat, Intake Valve, Standard
423 94073	Screw, Sems	870 213316	Seat, Exhaust Valve, Standard
445 493909	Cartridge, Air Cleaner	871 261961	Guide, Exhaust Valve
455 222561	Cup, Screen Mounting	231218	Guide, Intake Valve
467 493903	Knob, Air Cleaner	872 281104	Cover, Air Cleaner
468 222562	Screen, Flush Rotating	875 494237	Body, Air Cleaner
474 393474	Stator, Alternator	877 393456	Diode and Connector Assembly, Dual Circuit
482 93621	Screw, Sems	955 94642	** Screw, Fuel Bowl
510 497606	Drive, Starter	965 94108	Locknut, Air Cleaner Mounting
523 490327	Cap and Dipstick, Oil Filler	975 494378	Bowl Assembly, Carburetor
524 68838	Seal, Filler Tube	977 494385	Carburetor Gasket Kit
525 496113	Tube, Oil Filler	987 281166	** Seal, Throttle Shaft
535 272403	Element, Air Cleaner	1005 280687	Fan, Flywheel
537 281106	* O-Ring, Air Cleaner	1006 224413	Retainer, Fan
544 497603	Armature, Starter	1019 491255	Label Kit
552 231597	Bushing, Governor Crank	1044 94673	Screw, Hex Head
562 92613	Bolt, Governor Lever	1058 272697	Manual, Owner's
592 231082	Nut, Hex	1090 497607	Retainer, Brush
601 93053	Clamp, Fuel Pipe		
611 494451	Fuel Inlet Tube		RPM Settings: Low: 1550-1950; High: 3200-3400
614 93306	Cotter, Hair Pin		
618 262803	Spring, Choke Return		* Included in Gasket Set (497535)
634 281168	** Seal, Choke Shaft		** Included in Carburetor Overhaul Kit (495799)
634A 491323	* Seal, Governor		
634B 281167	** Washer, Throttle Shaft		*** Included in both Carburetor Overhaul Kit (497535) and Carburetor Gasket Set (494385)
635 66538	Elbow, Spark Plug		
646 224546	Brace, Air Cleaner		
657 93496	Screw, Sems		
663 94620	Screw, Hex Head		
668 280848	Spacer		

NOTE: All component dimensions-given in U.S. inches
1 inch = 25.4 mm