

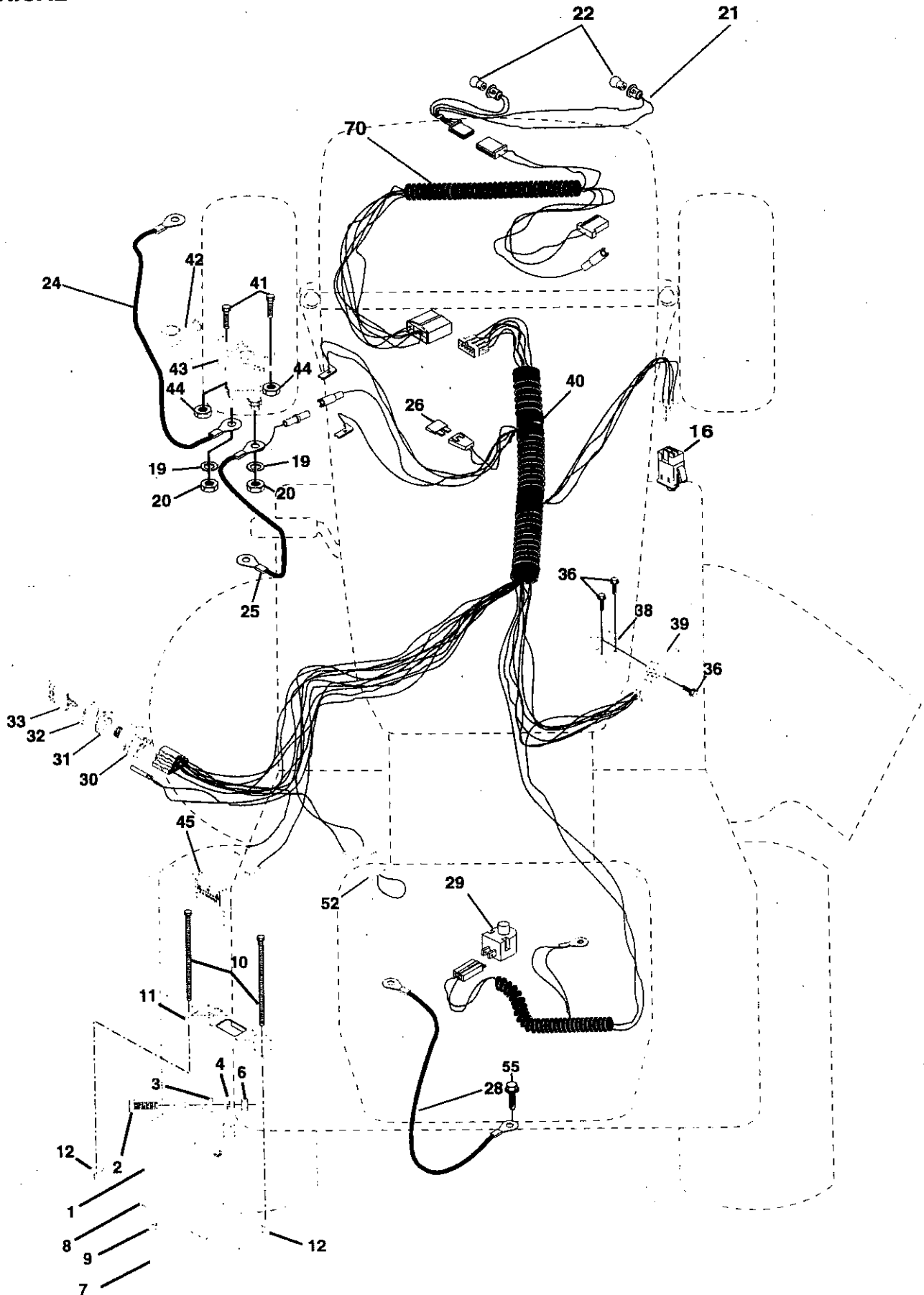
REPAIR PARTS MANUAL
MODEL NO. 256360
Lawn Tractor

CRAFTSMAN[®]

REPAIR PARTS

TRACTOR -- MODEL NUMBER 917.256360

ELECTRICAL



REPAIR PARTS

TRACTOR - - MODEL NUMBER 917.256360

ELECTRICAL

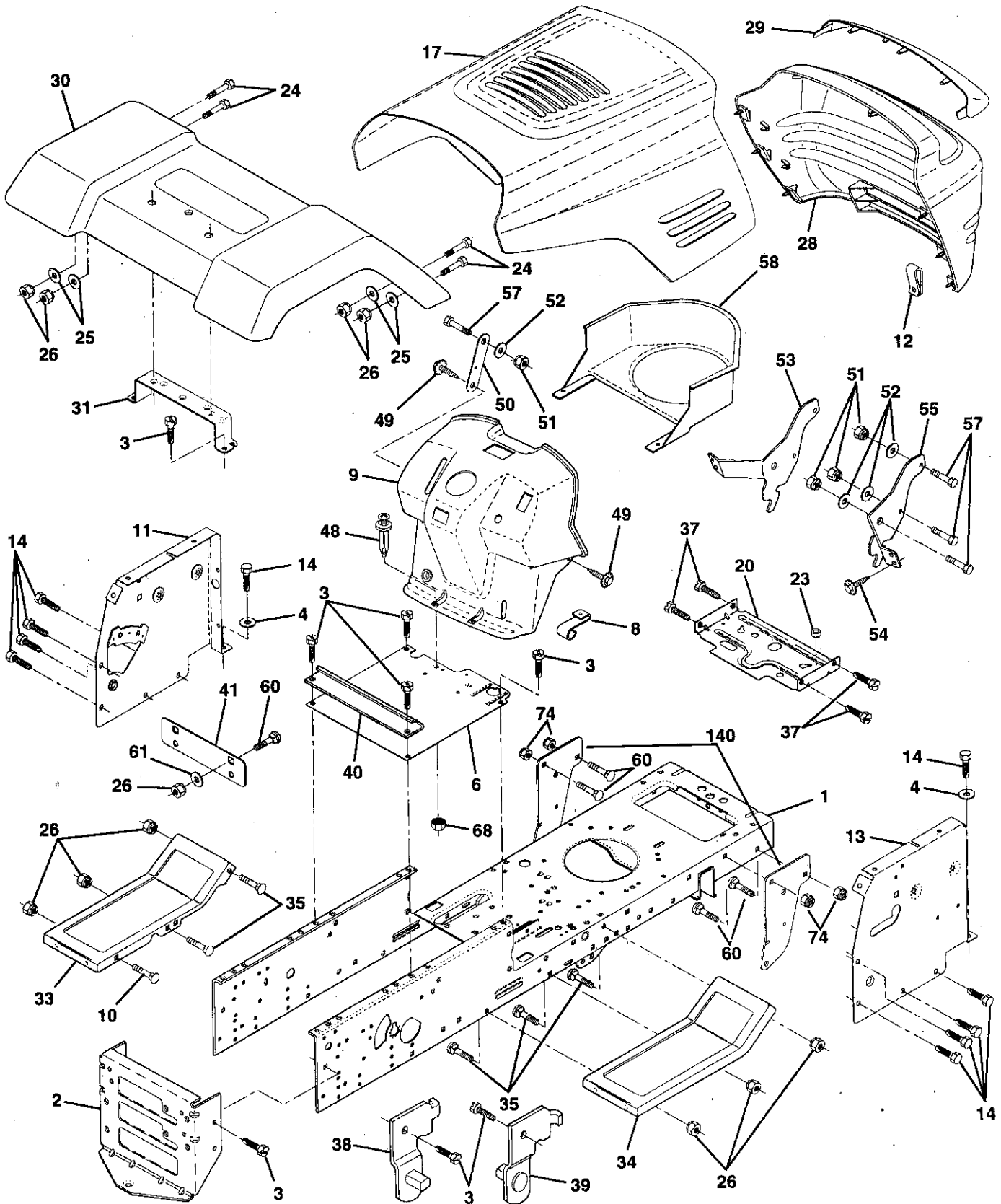
KEY NO.	PART NO.	DESCRIPTION
1	146140	Battery
2	74760412	Bolt, Hex 1/4-20 x 3/4
3	STD551025	Washer 9/32 x 5/8 x 16 Gauge
4	STD551125	Washer, Lock 1/4
6	STD541025	Nut, Hex 1/4-20
7	7697J	Tube
8	7603J	Tray, Battery
9	109596X	Clamp, Hose
10	145211	Bolt, Btr Front 1/4-20 x 7-1/2
11	145209	Holddown Battery Dash Mount
12	145769	Nut, Push Nylon Battery Front 1/4
16	153664	Switch Interlock Push-In
19	STD551125	Washer, Lock 1/4
20	73350400	Nut, Hex, Jam 1/4-20
21	147430	Harness, Light Socket (w/4152J)
22	4152J	Light Bulb
24	4206J	Cable, Battery
25	146148	Cable, Battery
26	108824X	Fuse
28	145491	Cable, Ground
29	121305X	Switch, Seat
30	140301	Switch, Ignition 4 Position
31	124211X	Nut, Ignition
32	141226	Cover, Ignition Switch
33	109310X	Key, Molded, Craftsman
36	STD601005	Screw, Hex, Tapping #10-24 x 1/2
38	140336	Bracket Switch Interlock
39	109553X	Switch, Interlock, Attachment Clutch
40	151212	Harness, Ignition
41	71110408	Bolt Blk Fin Hex 1/4-20 UNC x 1/2
42	131563	Cover, Terminal
43	145673	Solenoid
44	73640400	Nut Keps Blk Hex 1/4-20 UNC
45	121433X	Ammeter Rectangular 6 Amp
52	141940	Protection Wire Loop (Hour Meter)
55	17490508	Screw Thdrol 5/16-18 x 1/2
70	140712	Harness, Engine Lt Private Label

NOTE: All component dimensions given in U.S. inches
1 inch = 25.4 mm

REPAIR PARTS

TRACTOR -- MODEL NUMBER 917.256360

CHASSIS AND ENCLOSURES



REPAIR PARTS

TRACTOR - - MODEL NUMBER 917.256360

CHASSIS AND ENCLOSURES

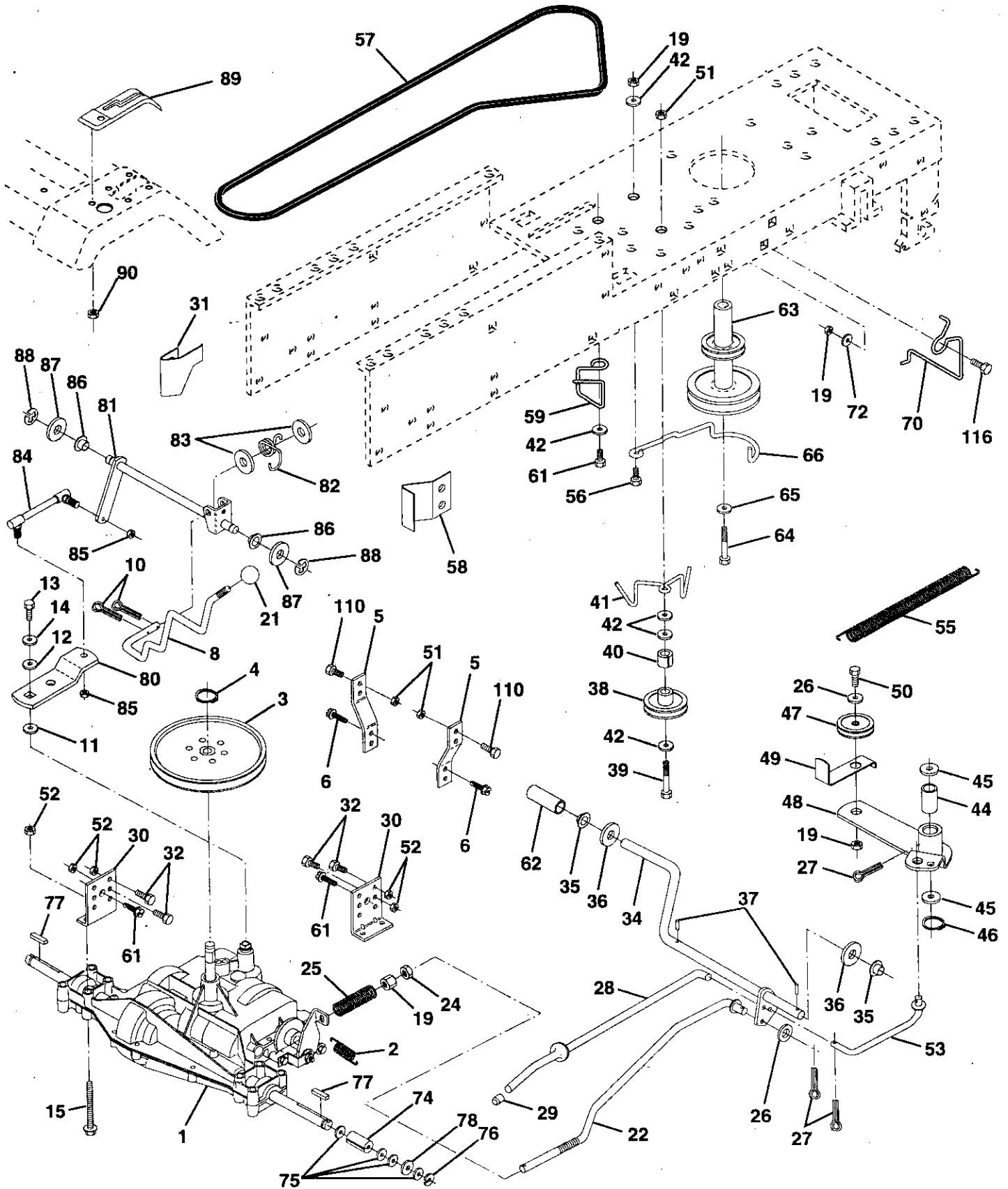
KEY NO.	PART NO.	DESCRIPTION
1	151169	Chassis
2	140356	Drawbar
3	17490612	Screw, Thd., Roll. 3/8-16 x 3/4 Type TT
4	STD551025	Washer 13/32 x 3/4 x 16 Gauge
5	146077	Bumper Snap-In
6	145206	Saddle
8	126471X	Clip, Fuel Line
9	147633X011	Dash, Silkscreened
10	STD533710	Bolt, Carriage 3/8-16 x 1
11	146956	Panel, Dash, LH
12	145660	Clip Tinnerman Grille P/L
13	146962	Panel, Dash, RH
14	17490608	Screw, Thd., Roll. 3/8-16 x 1/2 Type TT
15	74180512	Screw, Machine, Thd., Roll. 5/16-18 UNC x 3/4
16	STD541431	Nut, Hex, Keps 5/16-18 UNC
17	144983X574	Hood Assembly
20	145210	Plate Mtg Battery Fuel Tank 95
23	124028X	Bushing, Snap, Nylon, Fuel Line
24	STD523710	Bolt, Hex Head, Fin. 3/8-16 UNC x 1 Grade 5
25	19131312	Washer 13/32 x 13/16 x 12 Gauge
26	STD541437	Locknut, Hex, with Insert 3/8-16 UNC
28	145198X459	Grille, W/Clips MS-459
29	145199	Lens, Grille
30	140002X574	Fender
31	137113	Bracket, Fender
33	145244X574	Footrest, LH
34	145243X574	Footrest, RH
35	STD533707	Bolt Rdhd Sht Sqnk 3/8-16 x 3/4
37	17490508	Screw, Thdrol. 5/16-18 x 1/2 TYT
38	139886	Pivot Bracket Assembly, LH, Mower, Rear
39	139887	Pivot Bracket Assembly, RH, Mower, Rear
44	140675	Strap Assembly, Fender
47	105531X	Nut, Push, Nylon
51	73800400	Nut Lock W/Insert 1/4 - 20 UNC
52	19091416	Washer 9/32 X 7/8 X 16 Ga.
53	145201	Bracket Grille Pickoff LH
54	17030814	Screw, Hex Head, Spiderlock #8 x 7/8 AB
55	145202	Bracket Grille Pickoff RH
57	74780412	Bolt FinHex 1/4 -20 UNC X.75
58	140547	Air Duct P/L 18HP B&S Opp. Twin
60	72140606	Bolt RDHD SQNK 3/8-16 UNC x 3/4
74	STD541437	Nut, Crownlock 3/8-16 UNC
140	150556	Bracket Chassis Front

NOTE: All component dimensions given in U.S. inches.
1 inch = 25.4 mm

REPAIR PARTS

TRACTOR -- MODEL NUMBER 917.256360

DRIVE



REPAIR PARTS

TRACTOR - - MODEL NUMBER 917.256360

DRIVE

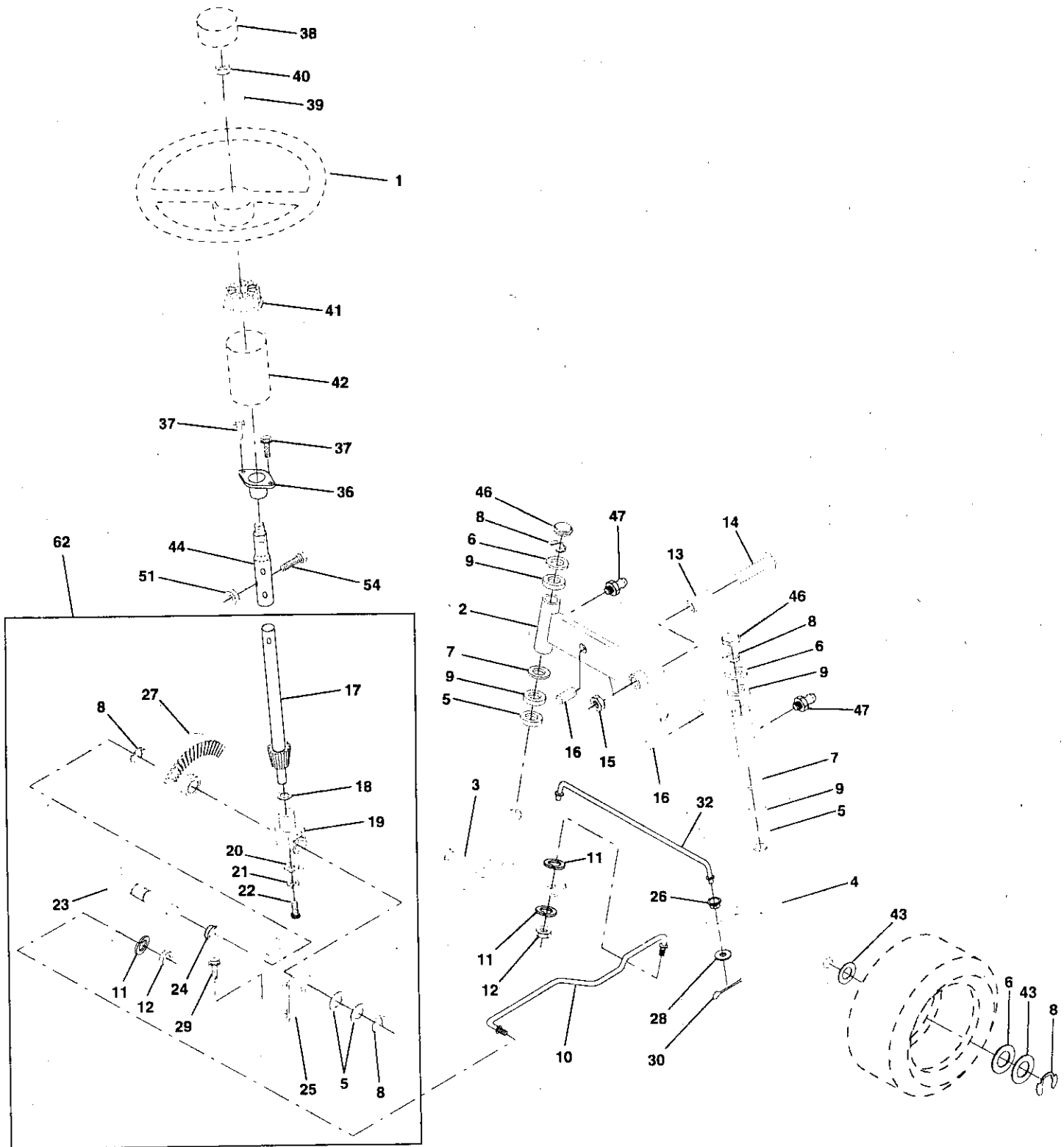
KEY NO.	PART NO.	DESCRIPTION	KEY NO.	PART NO.	DESCRIPTION
1	145607	Transaxle, Dana, Model Number 4360-97	48	123789X	Arm, Idler
2	146682	Spring, Brake Return	49	123205X	Retainer, Belt
3	123666X	Pulley, Transaxle	50	STD523715	Bolt, Hex 3/8-16 x 1-1/2
4	12000028	Ring, Retainer	51	STD541437	Nut, Crownlock 3/8-16
5	121250X	Strap, Torque	52	STD541431	Nut, Lock Hex w/Ins 5/16-18
6	17490512	Screw, Hex, Washer, Thread Rolling 5/16-18 x 3/4	53	105710X	Link, Clutch
8	141002	Rod, Shifter	55	105709X	Spring, Return, Clutch
10	STD561210	Pin, Cotter.1/8 x 1	56	STD523712	Bolt, Fin Hex 3/8-16 UNC x 1-1/4
11	105701X	Washer, Shift Plate	57	130801	V-Belt, Drive
12	19151216	Washer 15/32 x 3/4 x 16 Ga.	58	127274X	Keeper, Belt, Transaxle, R.H.
13	74550412	Bolt 1/4-28 UNF Gr. 8 w/Patch	59	140312	Retainer, Belt
14	STD551125	Washer Lock	61	17490612	Screw, Hex Washer Head, Thd., Roll. 3/8-16 x 3/4
15	74490544	Bolt, Hex Flghd 5/16-18 Gr. 5	62	8883R	Cover, Foot Pedal
19	STD541437	Locknut 3/8-16	63	140186	Pulley, Engine
21	106933X	Knob	64	71170764	Bolt, Hex 7/16-20 x 4 Gr. 5
22	130804	Rod, Brake	65	STD551143	Washer, Lock Hvy Hlcl Spr 7/16
24	STD541237	Nut, Hex Jam 3/8-16	66	153400	Keeper, Belt Engine Mch
25	106888X	Spring, Rod, Brake	70	134683	Guide Belt Mower Drive RH
26	STD551037	Washer 13/32 x 13/16 x 16 Gauge	72	19132012	Washer 13/32 x 1-1/4 x 12 Ga.
27	STD561210	Pin, Cotter 1/8 x 3/4	74	109502X	Spacer, Split
28	145204	Rod, Brake, Park	75	121749X	Washer 25/32 x 1-1/4 x 16 Ga.
29	124236X	Cap, Plunger	76	12000001	E-Ring
30	130807	Bracket, Transaxle, L.H.	77	123583X	Key Square
31	127275X	Keeper, Belt, Transaxle, L.H.	78	121748X	Washer 25/32 x 1-5/8 x 16 Ga.
32	74760512	Bolt Hex Hd 5/16-18 UNC x 3/4	80	131487	Shift Arm
34	151128	Shaft, Foot Pedal	81	136933	Shaft, Assembly, Shifter
35	120183X	Bearing Nylon	82	123782X	Spring, Torsion
36	STD551062	Washer 21/32 x 1 x 16 Gauge	83	19171216	Washer 17/32 x 3/4 x 16 Gauge
37	1572H	Pin, Roll 3/16 x 1	84	132183	Rod, Tie
38	123674X	Idler, Flat	85	150360	Nut 1/4-28
39	STD523727	Bolt, Hex 3/8-16 x 2-3/4	86	71208	Bushing, Rod, Steering
40	4470J	Spacer	87	19212016	Washer 21/32 x 1-1/4 x 16 Gauge
41	153399	Keeper, Belt Idler	88	12000008	Ring, Klip
42	19131312	Washer 13/32 x 13/16 x 12 Gauge	89	139991	Console, 6 Speed
44	105706X	Bearing	90	124346X	Nut, Washer Head, Self-Thread 1/4
45	110812X	Washer, Hardened	110	74760612	Bolt Fin Hex 3/8-16 UNC x 3/4
46	12000039	Ring, Clip	116	72110610	Bolt, Rdhd Sq. Neck 3/8-16 x 1.25
47	127783	Pulley, Idler			

NOTE: All component dimensions given in U.S. inches.
1 inch = 25.4 mm

REPAIR PARTS

TRACTOR -- MODEL NUMBER 917.256360

STEERING ASSEMBLY



REPAIR PARTS

TRACTOR - - MODEL NUMBER 917.256360

STEERING ASSEMBLY

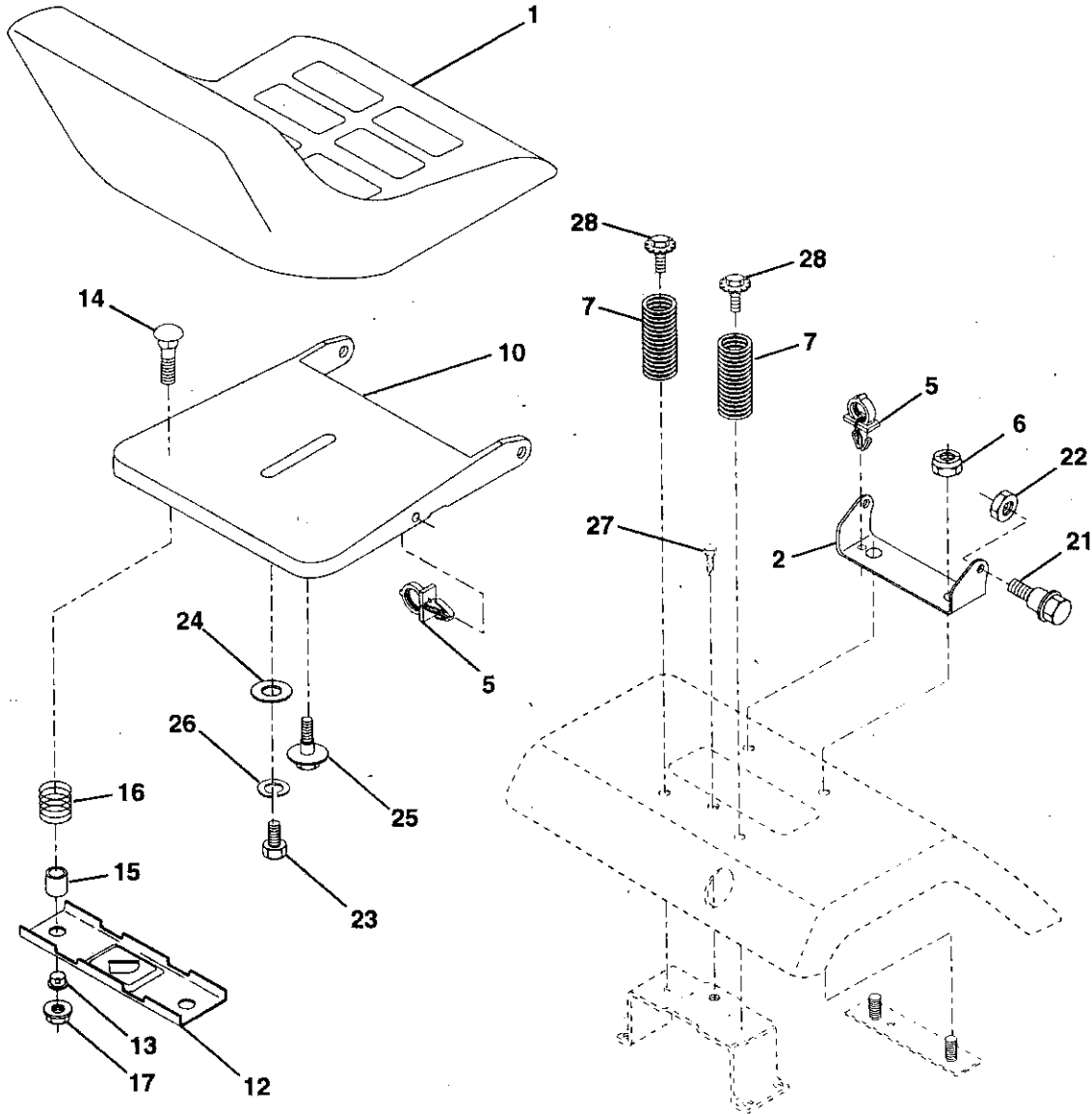
KEY NO.	PART NO.	DESCRIPTION
1	139768	Wheel Steering Std Black
2	142033	Axle Asm Front
3	135227	Spindle Asm Lh
4	135228	Spindle Asm Rh
5	6266H	Bearing Race Thrust Harden
6	121748X	Washer 25/32 X 1 5/8 X 16ga
7	19272016	Washer 27/32 X 1 1/4 X 16 Ga
8	12000029	Ring Klip #t5304-75
9	3366R	Bearing Col Strg Blk
10	130468	Link Drag Sol Ball Jt 20 064
11	STD551137	Washer Lock Hvy Hlcl Spr 3/8
12	73610600	Nut Fin Hex 3/8-24 Unf
13	110438X	Spacer Bearing Axle Front
14	74011056	Bolt Hex 5/8-11 Unc X 3-1/2
15	73901000	Locknut Flange 5/8-11 Unc
16	132624	Pin Axle 5/8 X 1 55/1 54 Lg
17	140176	Shaft Asm Strg Private Label
18	57079	Washer Thrust 515x 750x 033
19	124035X	Support Shaft
20	126684X	Washer Shim 1/4 X 5/8 X 062
21	STD551125	Washer Lock Hvy Helical 1/4
22	71100410	Screw Cap Sckt Hd Phos & Oil
23	127501	Shaft Asm Pittman
24	109816X	Nyliner Snap In
25	124036X	Bracket Steering
26	126847X	Bushing Rod Tie Blk Lt
27	136874	Gear Sector
28	19131416	Washer 13/32 X 7/8 X 16ga
29	17490612	Screw Thdrol 3/8-16x3/4 Ty-tt
30	STD561210	Pin Cotter 1/8 X 3/4 Cad
32	130465	Rod Tie Wire Form 19 75 Mech
36	132196	Bushing Strg 5/8 Id Dash
37	152927	Screw TT #10-32 5 3/8 Flange
38	139769	Insert Cap Strg Wheel Std Blk
39	19133808	Washer 13/32 X 2-3/8 X 8 Ga
41	100711L	Adaptor Wheel Strg 640/ 635id
42	145054	Boot Shaft Steering
43	121749X	Washer 25/32 X 1 1/4 X 16 Ga
44	153720	Extension Shaft Steering LR/LT
46	121232X	Cap Spindle Fr Top Blk
47	6855M	Fitting Grease
51	STD541431	Nut Lock Hex W/Ins 5/16 -18 UNC
54	74780520	Bolt Fin Hex 5/16 - 18 UNC X 1 -1/4
62	149686	Kit, Sterring Assembly
63	74780616	Bolt, Fin Hex 3/8-16 UNC x 1

NOTE: All component dimensions given in U.S. inches
1 inch = 25.4 mm

REPAIR PARTS

TRACTOR - - MODEL NUMBER 917.256360

SEAT ASSEMBLY



KEY NO.	PART NO.	DESCRIPTION
1	140123	Seat
2	140551	Bracket Pnt Pivot Seat (blk)
5	145006	Clip Push-In
6	STD541437	Nut Lock Hex W/Ins 3/8 -16 UNC
7	124181X	Spring Seat Cprsn 2 250 Blk Zi
10	140552	Pan Pnt Seat (blk)
12	121246X	Bracket Pnt Mounting Switch
13	121248X	Bushing Snap Blk Nyl 50 Id
14	72050411	Bolt Rdhd Sht Nk 1/4-20x1-3/8
15	134300	Spacer Split 28 X 96 Zinc
16	121250X	Spring Cprsn 1 27 Blk Pnt

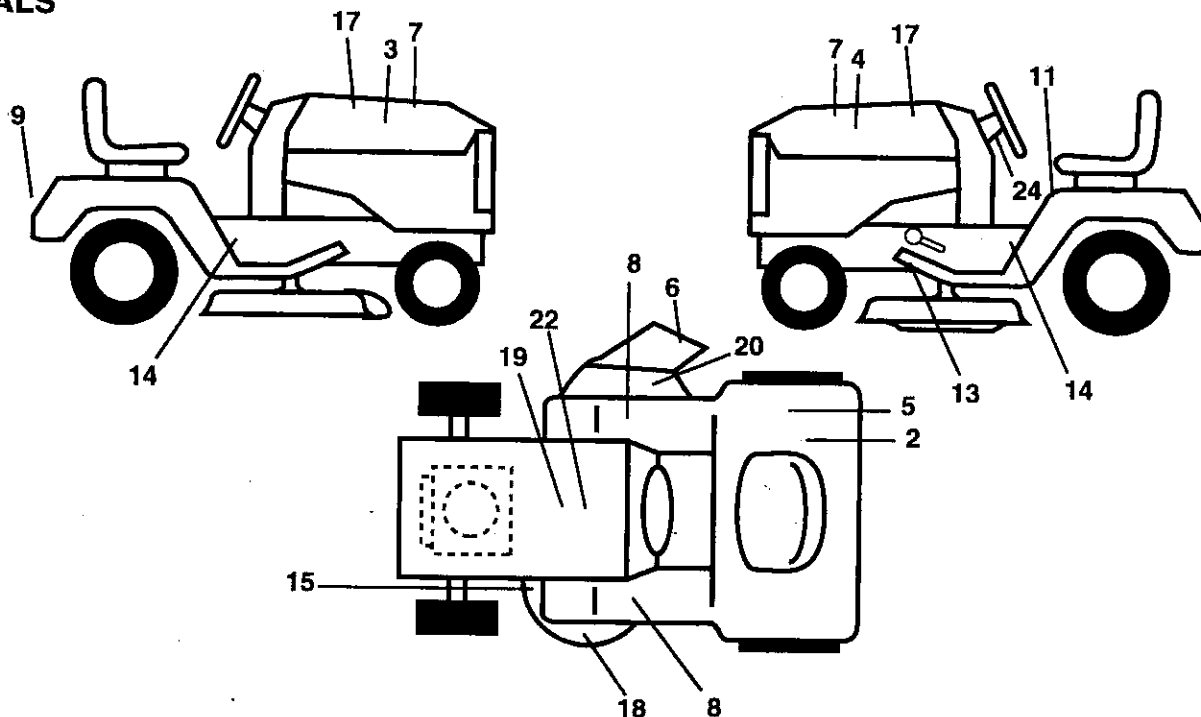
KEY NO.	PART NO.	DESCRIPTION
17	123976X	Nut Lock 1/4 Lge Flg Gr 5 Zinc
21	153236	Bolt Shoulder 5/16-18 X 62
22	STD541431	Nut Lock Hex W/Ins 5/16-18
23	74780814	Bolt Fin Hex 1/2-13 X 7/8 Gr 5
24	19171912	Washer 17/32 X 1-3/16 X 12 Ga
25	127018X	Bolt Shoulder 5/16-18 X 62
26	STD551150	Washer Lock Hvy Hlcl Spr 1/2
27	17490608	Screw Thdrol. 3/8-16 x 1/2
28	150176	Bolt 5/16 -18 UNC X 3/4 W/Sems

NOTE: All component dimensions given in U.S. inches.
1 inch = 25.4 mm

REPAIR PARTS

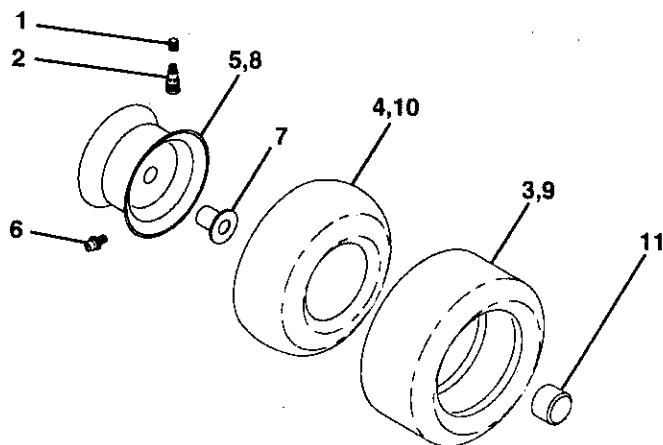
TRACTOR -- MODEL NUMBER 917.256360

DECALS



KEY NO.	PART NO.	DESCRIPTION	KEY NO.	PART NO.	DESCRIPTION
2	145437	Decal, Europe Stand CE	17	151303	Decal, Insert, Hood
3	150683	Decal, Hood Rh Craftsman	18	133179	Decal, Mower Qc System
4	150684	Decal, Hood Lh Craftsman	19	138047	Decal, Battery Diehard Sears
5	125690X	Decal, 100 DBA	20	150955	Decal Deck Mower EZ3
6	145494	Decal, International Cuttinger	22	146451	Decal, Battery DNGR/PSN P/L SYM AC
7	150927	Decal, Panel Side B&S5	24	138048	Decal, Panel Side Diehard White
8	145245	Pad, Footrest	--	138311	Decal Lift Handle
9	128314	Decal, Fender Craftsman White	--	145247	Fastener Pop-In Footrest
11	145498	Decal, Read Owners Manual Syms	--	153807	Manual, Operator's (Euro)
13	146046	Decal, V-belt Dr Sch Tractor E	--	153808	Manual, Operator's (Scand)
14	150678	Decal, Chassis 6 Sp 42"	--	153809	Manual Parts Manual
15	136832	Decal, Mower Drive Schematic			

WHEELS & TIRES



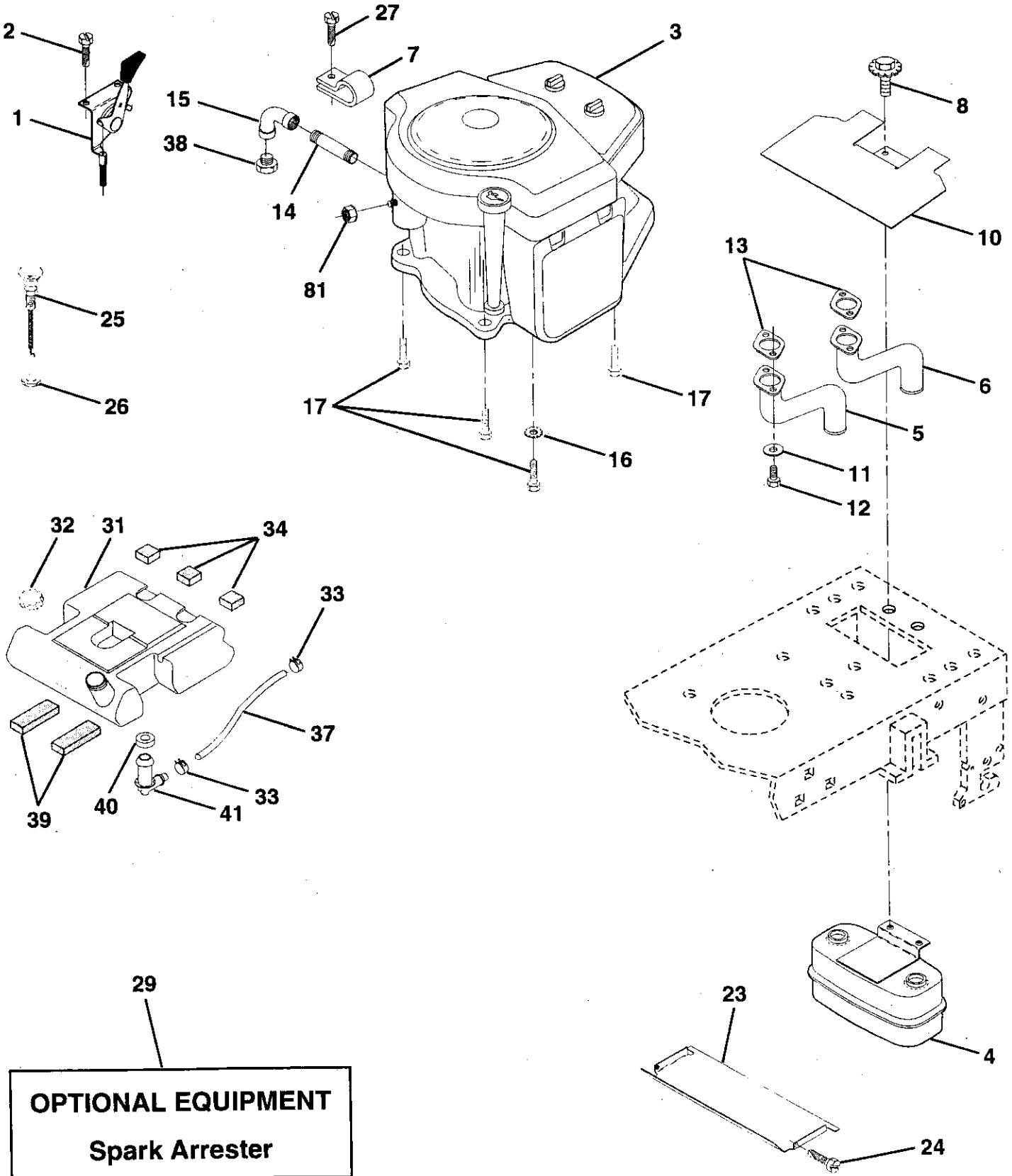
KEY NO.	PART NO.	DESCRIPTION
1	59192	Cap Value Tire
2	65139	Stem Value
3	106222X	Tire F Ts 15 X 6 0 - 6 Service
4	59904	Tube Inner Front #35060
5	106732X427	Rim Asm 6"front White Service
6	278H	Fitting Grease
7	9040H	Bearing Flange
8	106108X427	Rim Asm 8"rear White Service
9	122082X	Tire R Ts 20 x 10-8 Service
10	7152J	Tube Rear 9 5 X 8 Service
11	104757X	Cap Axle Blk 1 50 X 1 00
--	144334	Sealant, Tire (10 oz. Tube)

NOTE: All component dimensions given in U.S. inches.
1 inch = 25.4 mm

REPAIR PARTS

TRACTOR -- MODEL NUMBER 917.256360

ENGINE



REPAIR PARTS

TRACTOR - - MODEL NUMBER 917.256360

ENGINE

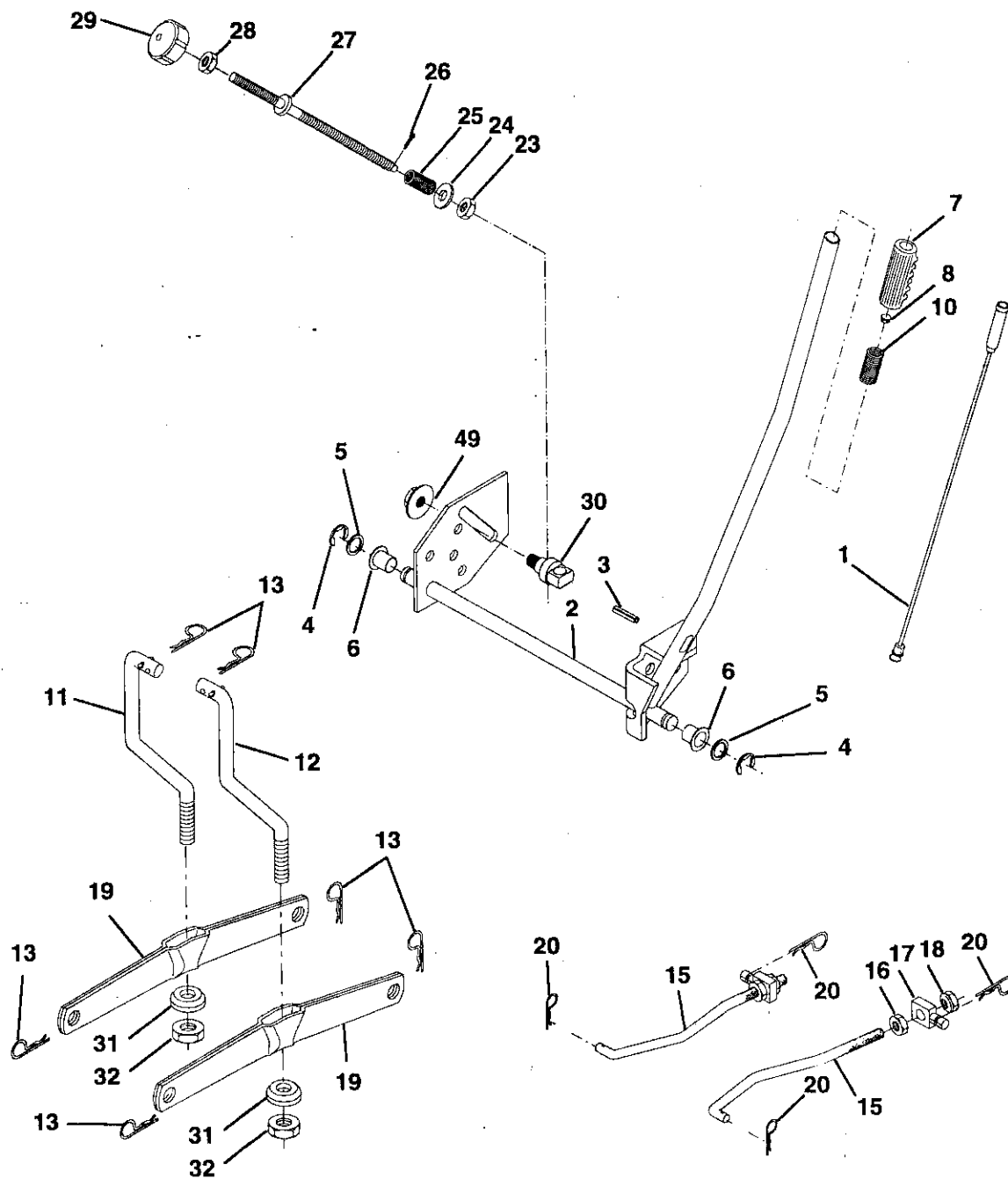
KEY NO.	PART NO.	DESCRIPTION
1	151273	Control Throt Paddle 32 22
2	17720410	Screw Hex Thd Cut 1/4-20x5/8 T
3	150465	Engine B&s 19hp, Model No. 42A707, Type No. 1624 -01
4	149723	Muffler Exhaust
5	144069	Exhaust Asm. Left
6	144068	Exhaust Asm. Right
7	138129	Clamp Tube Double Engine
8	150176	Bolt 5/16 - 18 UNC X 3/4 W/Sems
10	145552	Heat Shield Lt
11	STD551125	Washer Lock Hvy. Helical 1/4
12	STD522507	Bolt Fin Hex 1/4-20 x 3/4
13	272250	Gasket Muffler
14	13280336	Nipple Pipe 4-1/2"
15	13200300	Elbow Std 90 Degree 3/8-18 Npt
16	STD551237	Washer Lock Ext Tooth 3/8
17	17490624	Screw Thdrol 3/8-16x1-1/2 Tytt
23	150554	Shield Browning
24	17490512	Screw Thdrol 5/16-18 x 3/4 TYT
25	145996	Control Choke
26	73920600	Nut Hex 3/8-24 Unf
27	152927	Screw TT #10-32 5 3/8 Flange
29	137180	Arrestor Spark
31	151346	Tank Fuel 3 50 Rear
32	151296	Cap Asm Fuel W/Guage Vented
33	123487X	Clamp Hose Blk
34	106082X	Spacer Pad
37	8543R	Line Fuel
38	---	Plug Oil Drain (Order From Engine Manufacturer)
39	109227X	Pad Idler 1.75 x .75 x .06
40	3645J	Bushing
41	139277	Stem Tank Fuel
81	128861	Nut, Flange 1/4-20 Starter Nut

NOTE: All component dimensions given in U.S. inches.
1 inch = 25.4 mm

REPAIR PARTS

TRACTOR - - MODEL NUMBER 917.256360

MOWER LIFT



REPAIR PARTS

TRACTOR - - MODEL NUMBER 917.256360

MOWER LIFT

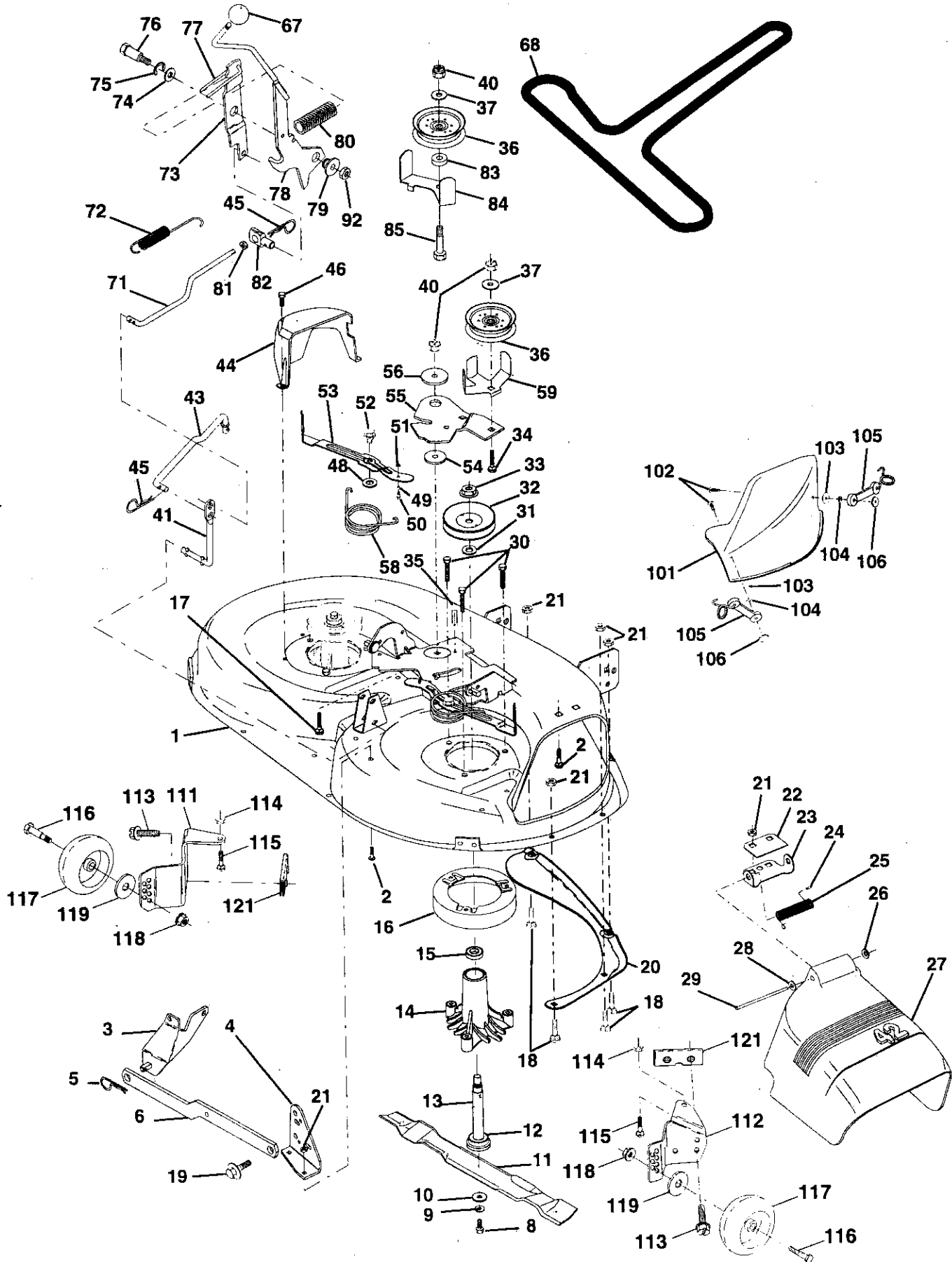
KEY NO.	PART NO.	DESCRIPTION
1	136973	Wire Assy., Inner, with Plunger
2	145117	Shaft Asm. Lift
3	105767X	Pin Groove
4	12000002	E Ring #5133-62
5	19211621	Washer 21/32 x 1 x 21 Ga.
6	120183X	Bearing Nylon
7	125631X	Grip Handle Fluted
8	122365X	Button Plunger Read
10	122512X	Spring Cprsn
11	139865	Link Lift Lh Fixed Length
12	139866	Link Lift Rh Fixed Length
13	4939M	Retainer Spring
15	127218	Link Front
16	73350800	Nut Jam Hex 1/2-13 Unc
17	130171	Trunnion Blk Zinc
18	73800800	Nut Lock W/Wsh 1/2-13 Unc
19	139868	Arm Suspension Rear
20	3146R	Retainer Spring Zinc
23	110807X	Nut Spring
24	19131016	Washer 13/32 x 5/8 x 16 Ga.
25	2876H	Spring 2-1/8"
26	76020308	Pin cotter 3/32 x 1/2
27	126971X	Rod Adj. Lift
28	73350600	Nut Hex Jam 3/8-16
29	138057	Knob Inf. 3/8-16
30	150233	Trunnion Inf. Hgt.
31	140302	Bearing, Pivot, Lift, Special
32	73540600	Nut, Crownlock 3/8-24
49	145212	Nut, Flange Lock

NOTE: All component dimensions given in U. S. inches
1 inch = 25.4 mm

REPAIR PARTS

TRACTOR -- MODEL NUMBER 917.256360

MOWER DECK



REPAIR PARTS

TRACTOR - - MODEL NUMBER 917.256360

MOWER DECK

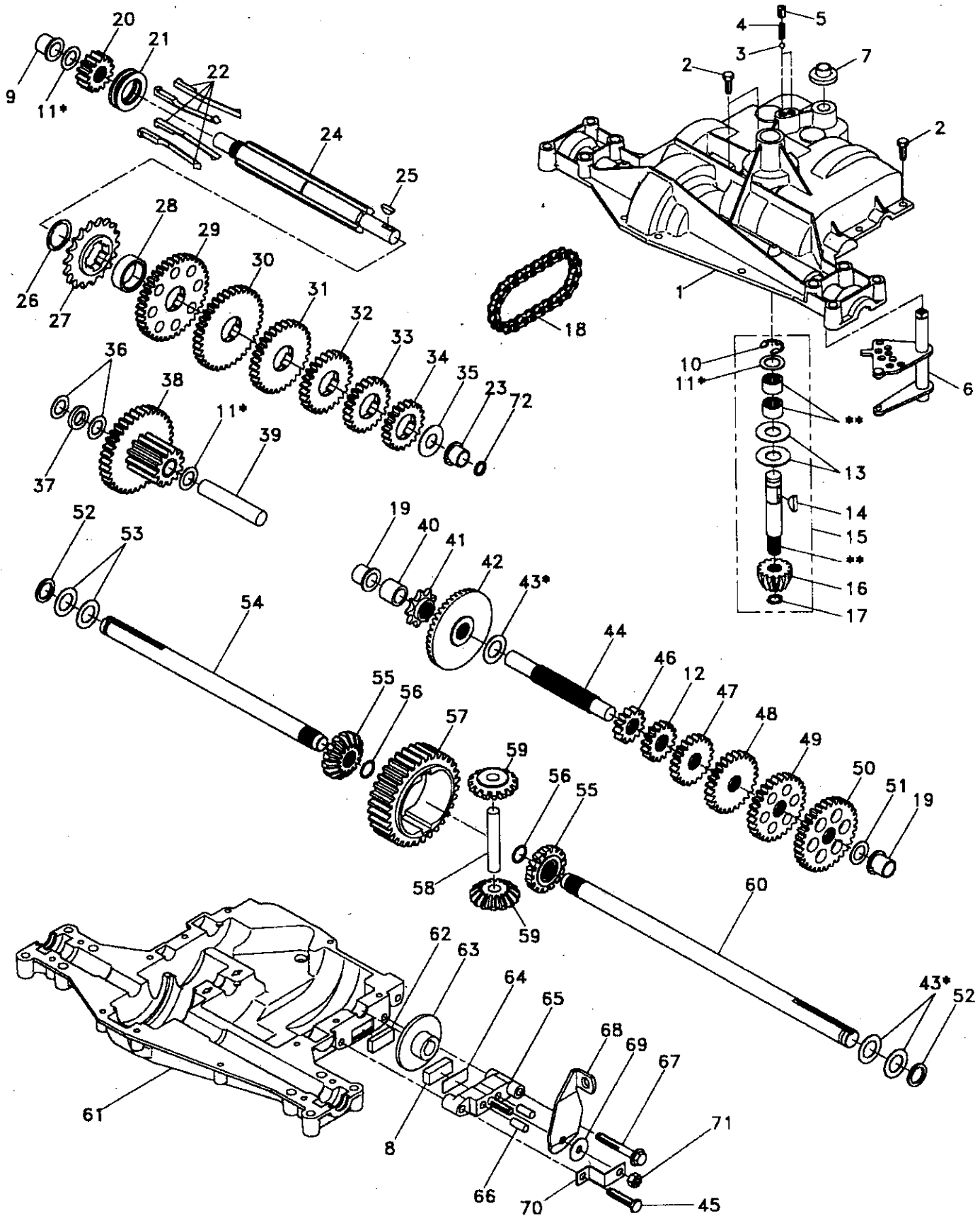
KEY NO.	PART NO.	DESCRIPTION	KEY NO.	PART NO.	DESCRIPTION
1	144393	Mower Deck Assembly, 42"	54	133943	Washer, Hardened
2	STD533107	Bolt	55	140084	Arm, Idler
3	138017	Bracket Asm Fr. Sway Bar	56	122052X	Spacer, Retainer
4	138440	Bracket Asm Deck 42" Sway Bar	58	140086	Spring, Torsion, Brake
5	STD624008	Retainer Spring	59	141043	Guard, Idler
6	130832	Arm, Suspension, Rear	67	149846	Knob Custom Dual
8	850857	Bolt 3/8-24 x 1.25 Grade 8	68	144200	V-Belt, 42" Mower
9	STD551137	Washer, Lock	71	142427	Rod, Clutch, Primary
10	140296	Washer, Hardened	72	131870	Spring, Extension, Return
11	134149	Blade, Mulching, 42" Mower Deck	73	127847	Arm, Clutch, Secondary
12	129895	Bearing, Ball	74	121748X	Washer 25/32 x 1-5/8 x 16 Gauge
13	137645	Shaft Assembly, Mandrel, Vented (Includes Key Number 12)	75	12000029	Ring, Klip
14	128774	Housing, Mandrel, Vented	76	128903	Bolt, Shoulder 3/8-16 UNC x 1.44
15	110485X	Bearing, Ball, Mandrel	77	127845	Keeper, Spring
16	140329	Stripper, Vented Mower Deck	78	145132	Arm, Clutch, Primary
17	72110610	Bolt, Carriage 3/8-16 x 2-1/4	79	127498	Bushing, Large, Brass
18	72140505	Bolt, Carriage 5/16-18 x 5/8	80	128759	Spring, Mower Clutch
19	132827	Bolt, Shoulder	81	STD541237	Nut, Hex, Jam 3/8-16
20	136888	Baffle, Vortex	82	142028	Trunnion
21	STD541431	Nut Crownlock 5/16-18	83	120958X	Washer Sintered
22	134753	Stiffener Bracket	84	144394	Keeper, Belt Idler Fixed
23	131267	Bracket, Deflector	85	72140618	Bolt, RdHd Sqnk 3/8-16 x 2-1/4 Gr. 5
24	105304X	Cap, Sleeve	92	STD541437	Locknut, Hex W/Wash Insert
25	123713X	Spring, Torsion, Deflector	101	136420	Mulcher cover
26	110452X	Nut, Push	102	71161010	Screw
27	130968	Shield, Deflector	103	19061216	Washer #10
28	19111016	Washer 11/32 x 5/8 x 16 Gauge	104	STD551110	Washer, Lock
29	131491	Rod, Hinge	105	130758	Latch Assembly, Bagger
30	138776	Bolt 5/16-18 x 1.25	106	2029J	Nut, Weld
31	129963	Washer, Spacer	111	140353	Bracket, Gauge, Wheel L.H.
32	153535	Pulley, Mandrel	112	132262	Bracket, Gauge, Wheel R.H.
33	137266	Nut, Flanged, Toplock 9/16	113	17490512	Screw, Thdrol 5/16 -18 x 3/4
34	STD533717	Bolt	114	STD541431	Nut, Hex Keps 5/16-18 UNC
35	133835	Fastner, Christmas Tree	115	72110504	Bolt, Carriage 5/16UNC x 1/2
36	131494	Pulley, Idler, Flat	116	137644	Bolt, Shoulder
37	STD551037	Washer 13/32 x 13/16 x 16 Gauge	117	133957	Wheel, Gauge
40	STD541437	Nut, Crownlock	118	73930600	Nut, Centerlock 3/8-16
41	133551	Rod, Pivot, with Nibs	119	STD551037	Washer 3/8 x 7/8 x 14 Ga.
43	140083	Rod, Clutch, Secondary, with Nibs	121	143723	Bracket, Extruded Gauge Wheel
44	140088	Guard, Mandrel, LH	--	130794	Mandrel Assembly (Includes Key Numbers 8-10, 12-15, 31 and 33)
45	STD624003	Retainer	--	145411	Mower Deck, Complete (Standard Deck; Order Mulcher Plate and Gauge Wheel Components Separately - Key Nos. 101-106, 111-119, 121)
46	137729	Screw, Hex Hd, Thdcut 1/4-20 x 5/8			
48	133944	Washer, Hardened			
49	133940	Roller Assembly, Cam Follower			
50	131340	Bolt, Shloulder #10-24 Grade 5			
51	STD541410	Locknut			
52	139888	Bolt, Shoulder 5/16-18 UNC			
53	131845	Arm Assembly, Pad, Brake			

NOTE: All component dimensions given in U.S. inches
1 inch = 25.4 mm

REPAIR PARTS

TRACTOR -- MODEL NUMBER 917.256360

DANA TRANSAXLE - MODEL NUMBER 4360-97



REPAIR PARTS

TRACTOR - - MODEL NUMBER 917.256360

DANA TRANSAXLE - MODEL NUMBER 4360-97

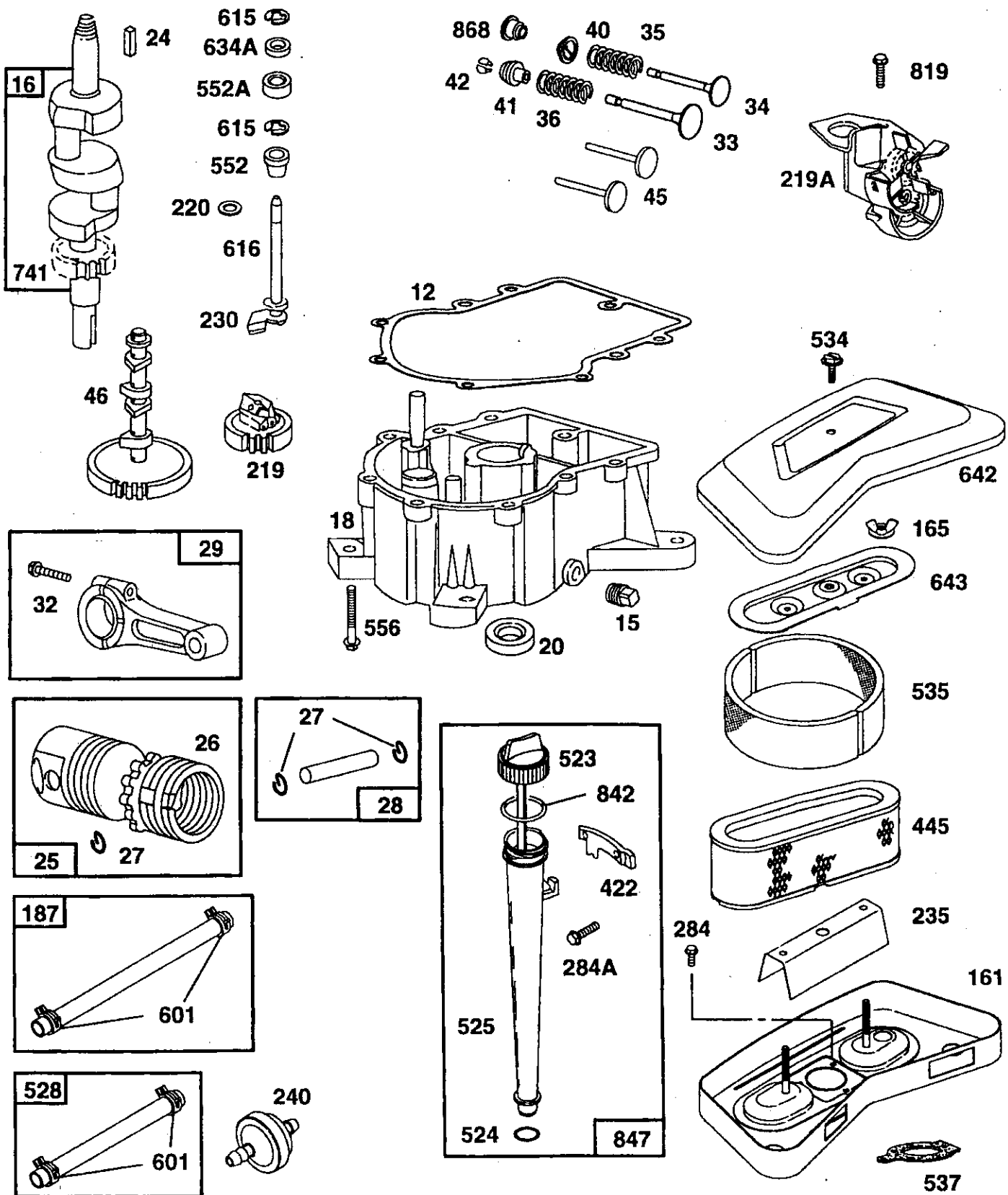
KEY PART NO. NO.	DESCRIPTION	KEY PART NO. NO.	DESCRIPTION
1 132671	Housing, Upper	39 124639X	Shaft, Idler
2 2274J	Screw, Tapping, Large 1/4-20 x .734	40 120472X	Spacer .633 x .87 x .755
3 134400	Ball, Detent	41 105928X	Sprocket, 9 Teeth (Reverse)
4 105904X	Spring, Detent	42 106605X	Gear, Bevel, 42 Teeth
5 105905X	Screw, Set	43 134394	Assembly, Kit, Shim, .750 Shaft
6 134788	Kit, Shifter Assembly	44 120473X	Shaft, Drive
7 134399	Boot, Shifter	45 106596X	Screw, Tapping, Large 5/16-18 x 1.44
8 120951X	Puck, Friction	46 142678	Gear, Spur, 12 Teeth (1 st)
9 148266	Bearing, Flange	47 120407X	Gear, Spur, 20 Teeth (3 rd)
10 2225J	Ring, Retaining	48 106589X	Gear, Spur, 25 Teeth (4 th)
11 134793	Assembly, Kit, Shim, .625 Shaft	49 120408X	Gear, Spur, 28 Teeth (5 th)
12 143679	Gear, Spur, 15 Teeth (2 nd)	50 105937X	Gear, Spur, 31 Teeth (6 th)
13 120415X	Washer, Plain .632 x 1.38 x .046	51 2226J	Washer, Plain .632 x 1.00 x .060
14 142674	Key, Woodruff, #9	52 134401	Washer, Neoprene
15 106846X	Assembly, Kit, Input Shaft	53 2264J	Washer, Plain .758 x 1.25 x .031
16 106095X	Pinion, Bevel, 14 Teeth	54 120474X	Axle, L.H.
17 105909X	Ring, Retaining	55 110081X	Gear, Miter, 15 Teeth
18 105910X	Chain, 24 Pitches	56 105941X	Ring, Retaining
19 105911X	Bearing, Flange	57 110071X	Gear, Spur, 32 Teeth
20 142675	Gear, Spur, 14 Teeth	58 120952X	Shaft, Cross
21 138246	Collar, Clutch	59 106592X	Gear, Miter, 15 Teeth
22 138238	Assembly, Kit, Clutch Keys	60 120475X	Axle, R.H.
23 148268	Bearing, Flange	61 142680	Housing, Lower
24 143673	Shaft, Intermediate	62 120961X	Puck, Friction
25 2244J	Key, Woodruff, #61	63 7294J	Disc, Brake
26 105916X	Ring, Retaining	64 108989X	Spacer
27 120470X	Sprocket, 18 Teeth (Reverse)	65 120953X	Jaw, Brake
28 110070X	Spacer	66 120954X	Pin, Dowel
29 142677	Gear, Spur, 37 Teeth (1 st)	67 134799	Screw, Tapping 5/16-18 x 2.25
30 142681	Gear, Spur, 35 Teeth (2 nd)	68 138244	Lever, Actuating
31 124644X	Gear, Spur, 30 Teeth (3 rd)	69 108996X	Washer, Plain .321 x 1.00 x .055
32 108980X	Gear, Spur, 25 Teeth (4 th)	70 120956X	Bracket, Anti-Rotation
33 120406X	Gear, Spur, 22 Teeth (5 th)	71 73810500	Locknut 5/16-24
34 134796	Gear, Spur, 19 Teeth (6 th)	72 148269	Seal, Oil
35 105925X	Washer, Plain .640 x 1.37 x .061	73 120416X	Grease
36 2232J	Washer, Plain .632 x 1.00 x .026		
37 108978X	Spacer .630 x 1.00 x .169		
38 110079X	Assembly, Gear, Combination, 12 Teeth and 35 Teeth		

NOTE: All component dimensions given in U.S. inches
1 inch = 25.4 mm

REPAIR PARTS

TRACTOR -- MODEL NUMBER 917.256360

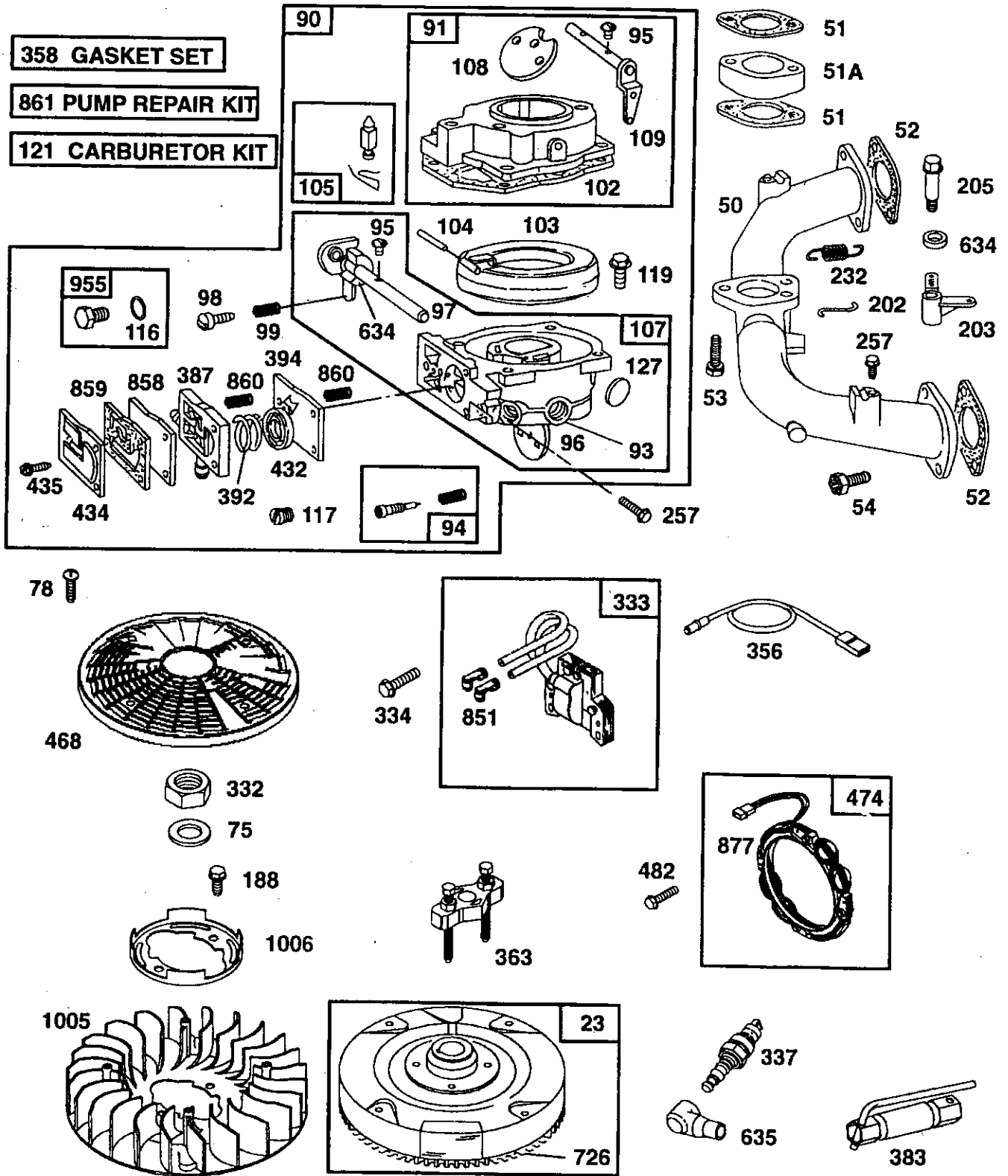
BRIGGS & STRATTON ENGINE - MODEL NUMBER 42A707, TYPE NUMBER 1624-01



REPAIR PARTS

TRACTOR - - MODEL NUMBER 917.256360

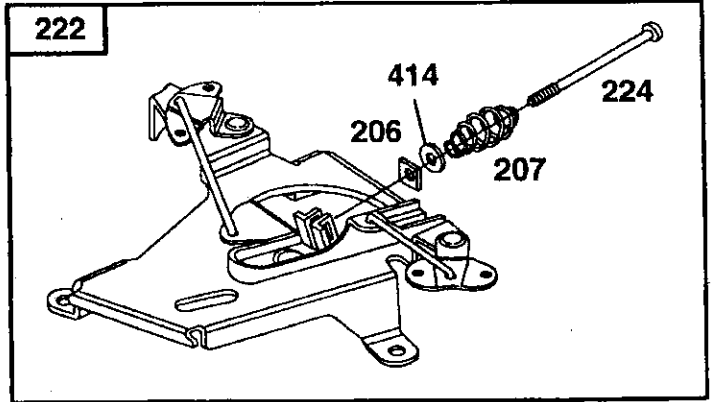
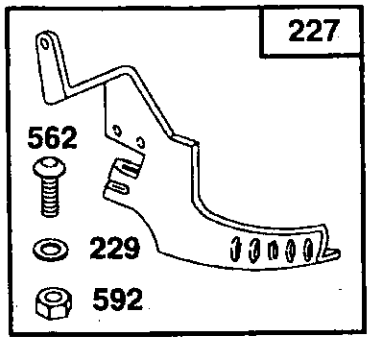
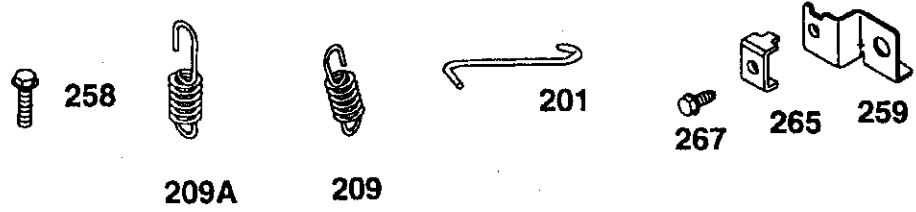
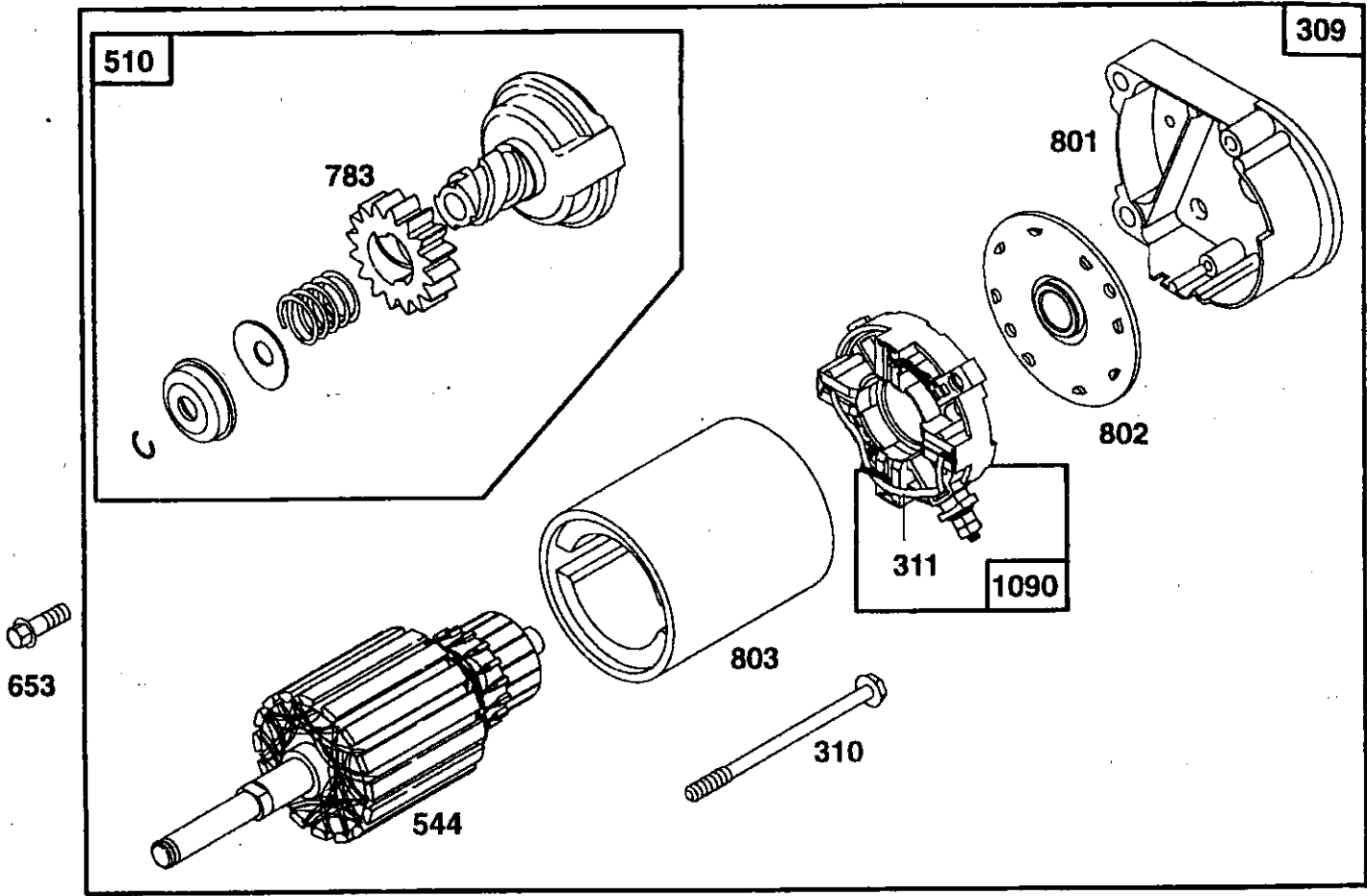
BRIGGS & STRATTON ENGINE - MODEL NUMBER 42A707, TYPE NUMBER 1624-01



REPAIR PARTS

TRACTOR -- MODEL NUMBER 917.256360

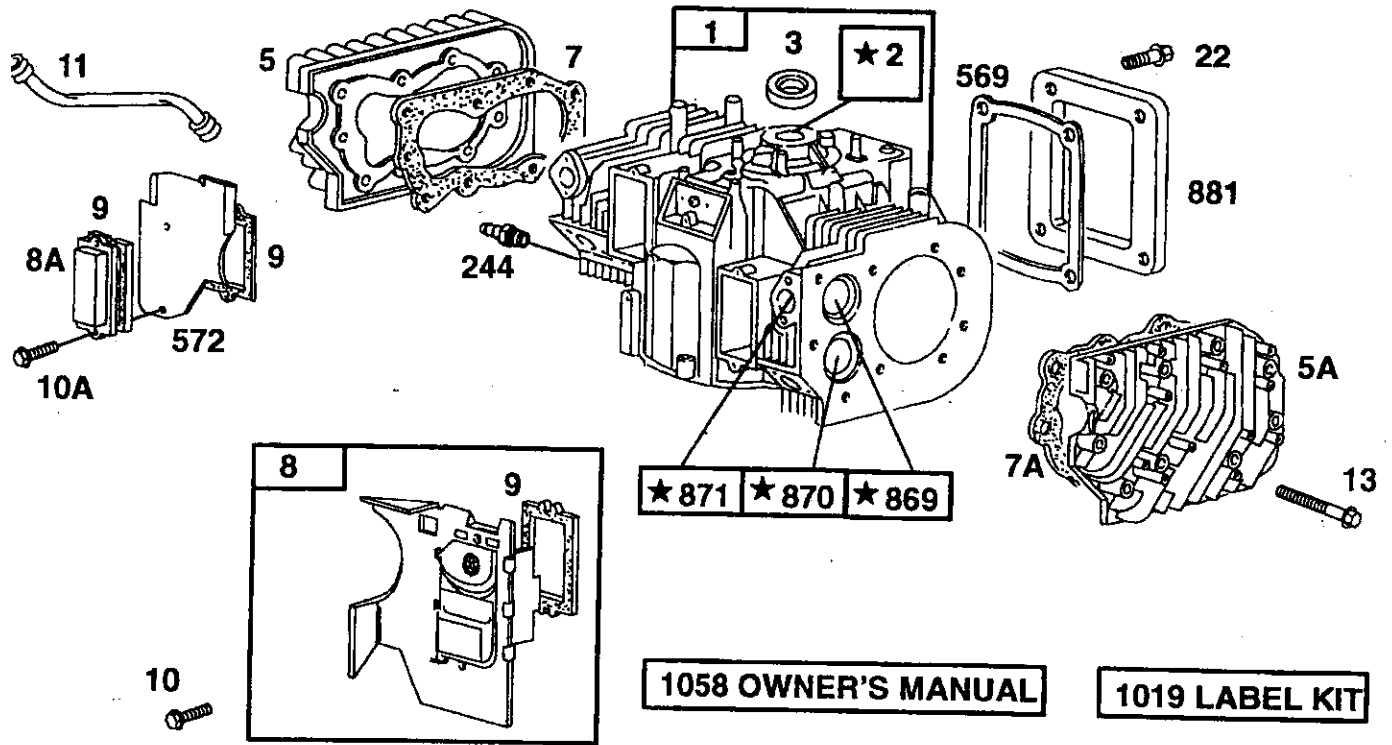
BRIGGS & STRATTON ENGINE - MODEL NUMBER 42A707, TYPE NUMBER 1624-01



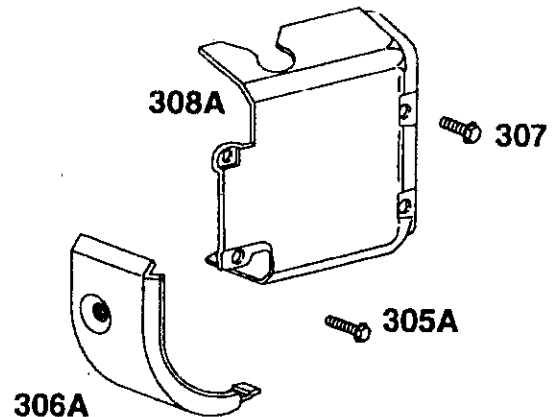
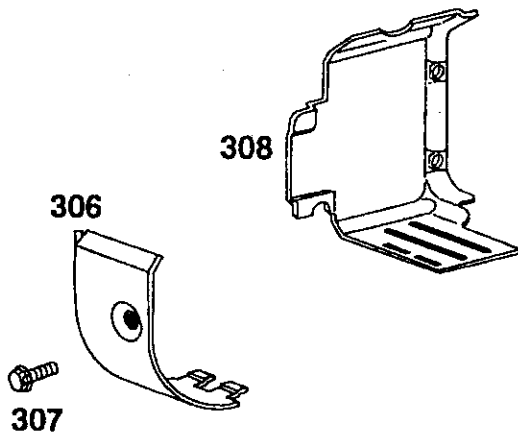
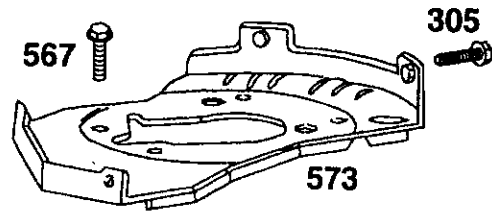
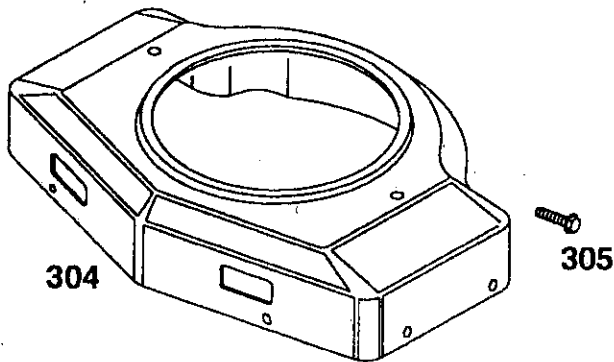
REPAIR PARTS

TRACTOR - - MODEL NUMBER 917.256360

BRIGGS & STRATTON ENGINE - MODEL NUMBER 42A707, TYPE NUMBER 1624-01



★ REQUIRES SPECIAL TOOLS TO INSTALL. SEE REPAIR INSTRUCTION MANUAL.



REPAIR PARTS

TRACTOR - - MODEL NUMBER 917.256360

BRIGGS & STRATTON ENGINE - MODEL NUMBER 42A707, TYPE NUMBER 1624-01

KEY PART NO. NO.	DESCRIPTION	KEY PART NO. NO.	DESCRIPTION
1 497074	Cylinder Assembly	54 94764	Screw, Sems
2 399265	Bushing	75 222511	Washer, Spring
3 391086	* Seal, Oil	78 94834	Screw, Sems
5 493457	Head, Cylinder #1	90 495181	Carburetor
5A 493458	Head, Cylinder #2	91 495035	Body Assembly, Upper
7 271867	* Gasket, Cylinder Head #1	93 231209	Bushing, Throttle Shaft
7A 271868	* Gasket, Cylinder Head #2	94 491538	** Valve, Idle Adjust
8 495754	Breather Assembly #1	95 93499	Screw, Sems
8A 222892	Cover, Breather Cylinder #2 (Used Only on Key #572, Air Baffle with Holes for Mounting)	96 221939	Valve, Throttle
		97 392672	Shaft, Throttle
		98 91920	Screw, Fillister Head
		99 26157	Spring, Throttle Adjust
9 27803	* Gasket, Breather	102 271607	** Gasket, Carburetor Body
10 94382	Screw, Sems	103 298514	Float, Carburetor
10A 94830	Screw, Sems	104 230896	** Pin, Float Hinge
11 280225	Tube, Breather	105 394683	** Valve, Needle
12 271703	* Gasket, Crankcase, .015" Thick	107 491543	Body Assembly, Lower
	* Gasket, Crankcase, .005" Thick	108 223534	Valve, Choke
	* Gasket, Crankcase, .009" Thick	109 392673	Shaft, Choke
13 94565	Screw, Cylinder Head	116 280474	* O-Ring
15 94239	Plug, Oil Drain	117 231338	Jet, Needle Valve, Fixed
16 394028	Crankshaft		Jet, Needle Valve, Fixed, High Altitude
	Timing Gear Key	119 94152	Screw, Hex Head
18 493304	Sump, Engine	121 491539	Carburetor Kit
20 291675	* Seal, Oil	127 223472	** Plug, Welch
22 94724	Screw, Sems	161 496599	Base, Air Cleaner
23 491180	Flywheel	165 94289	Nut, Wing
24 222698	Key, Flywheel	187 299146	Line, Fuel, 28" Long (Cut to Suit)
25 394955	Piston Assembly, Standard Size	188 94627	Screw
	Piston Assembly, .010" Oversize	201 262683	Link
	Piston Assembly, .020" Oversize	202 262684	Link
	Piston Assembly, .030" Oversize	203 280997	Crank, Bell
26 394959	Ring Set, Standard Size	205 93971	Screw, Hex Head
	Ring Set, .010" Oversize	206 94298	Nut, Square
	Ring Set, .020" Oversize	207 262337	Spring, Control Rod
	Ring Set, .030" Oversize	209 262352	Spring, Governor
27 260924	Lock, Piston Pin	209A 261563	Spring, Governor Idle
28 299691	Pin, Piston, Standard Size	219 394348	Gear, Governor
	Pin, Piston, .005" Oversize	219A 393415	Oil Slinger
29 394306	Rod, Connecting, Standard Size	222 491282	Bracket, Control
	Rod, Connecting, .020" Undersize	224 94297	Screw, Pan Head
32 94671	Screw, Connecting Rod	227 491297	Lever Assembly, Governor
33 390420	Valve, Exhaust		
34 261528	Valve, Intake		
35 65906	Spring, Valve, Intake		
36 26828	Spring, Valve, Exhaust		
40 221596	Retainer, Valve, Intake		
41 292260	Retainer, Valve, Exhaust		
42 94553	Keeper, Valve		
45 261368	Tappet, Valve		
46 213520	Gear, Cam		
50 213290	Manifold, Intake		
51 271412	**** Gasket, Carburetor Mounting		
51A 81411	Spacer, Carburetor		
52 270884	* Gasket, Intake Manifold Mounting		
53 93970	Screw, Hex Head, Carburetor to Manifold		

NOTE: All component dimensions given in U.S. inches
1 inch = 25.4 mm

REPAIR PARTS

TRACTOR - - MODEL NUMBER 917.256360

BRIGGS & STRATTON ENGINE - MODEL NUMBER 42A707, TYPE NUMBER 1624-01

KEY PART NO. NO.	DESCRIPTION	KEY PART NO. NO.	DESCRIPTION
230 223882	Washer, Governor Crank, Inside	569 272645	* Gasket, Base
235 224995	Shield, Fuel Spray	572 224816	Baffle, Air, Cylinder #2
240 394358	Filter, Fuel	573 491304	Plate, Back
244 230318	Connector, Fuel Line	592 92278	Nut, Hex.
257 93897	Screw, Sems	601 93053	Clamp, Hose
258 94623	Screw, Sems	615 94296	Retainer, E-Ring
259 223890	Bracket, Cable	616 491530	Crank, Governor
265 221535	Clamp, Casing	634 271013	** Washer, Throttle Shaft
267 94906	Screw, Sems	634A 491287	* Seal, Governor Shaft
284 94674	Screw, Hex Head	635 66538	Boot, Spark Plug
284A 94694	Screw, Hex Head	642 225008	Cover, Air Cleaner
304 495587	Housing, Blower, Red	643 496700	Plate, Air Cleaner
305 94786	Screw, Sems	653 93585	Screw, Hex Head
305A 93343	Screw, Sems	726 391362	Gear, Ring (Includes Mounting Parts)
306 222846	Shield, Cylinder	741 262989	Gear, Timing
306A 223734	Shield, Cylinder	783 280104	Gear, Starter
307 94386	Screw, Self-Tapping	801 394860	Cap, Drive
308 224774	Cover, Air Guide	802 497607	Cap, End
308A 224775	Cover, Air Guide	803 497604	Housing, Starter
309 497596	Motor, Starter	819 94675	Screw, Hex Head
310 94003	Bolt, Thru	842 270920	* Seal, Cap
311 497608	Brush Set	847 495715	Tube Assembly, Oil
332 230674	Nut, Hex	851 221798	Terminal, Cable
333 394891	Armature, Magneto	858 270989	*** Diaphragm, Carburetor
334 93381	Screw, Sems	859 271025	*** Gasket, Pump
337 802592	Plug, Spark	860 261358	*** Spring, Diaphragm
356 494705	Wire, Stop	861 393397	Repair Kit, Pump
358 491856	Gasket Set	868 497212	Seal, Valve
363 19203	Flywheel Puller	869 261463	Seat, Valve, Intake
383 89838	Wrench, Spark Plug	870 213316	Seat, Valve, Exhaust
387 280197	Body, Pump	871 261961	Bushing, Guide (Exhaust Only)
392 261395	*** Spring, Diaphragm	231218	Bushing, Guide (Intake, Brass)
394 270988	*** Diaphragm, Carburetor	877 393456	Wire, Alternator
414 220680	Washer	881 495901	Plate, Cover
422 222875	Bracket, Oil Fill	955 397882	Plug and Seal, Solenoid
432 221377	*** Cap, Spring	1005 281053	Fan, Flywheel
434 223688	Cover, Diaphragm	1006 224413	Retainer, Fan
435 93829	Screw, Diaphragm Cover	1019 496726	Label Kit
445 394019	Filter, Air	1058 272112	Owner's Manual
468 897908	Screen, Rotating	1090 497605	Retainer, Brush
474 393474	Alternator, Dual Circuit		
482 93621	Screw, Sems		
510 497606	Drive, Starter		
523 494947	Cap, Oil Fill		
524 271157	* Seal, Fill Tube		
525 495348	Tube, Oil Fill (Includes Seals)		
528 393815	Pipe, Fuel		
534 94823	Screw, Air Cleaner		
535 72490	Filter, Air		
537 271411	**** Gasket, Air Cleaner		
544 497603	Armature, Starter		
552 262332	Lower Bushing, Governor		
552A 262331	Upper Bushing, Governor		
556 93585	Screw, Hex Head		
562 93853	Bolt, Governor Lever		
567 94811	Screw, Hex Head, Back Plate to Cylinder		

RPM Settings: Low Speed: 1600-1800
High Speed: 3200-3400

- * Included in Gasket Set (495868)
- ** Included in Carburetor Kit (491539)
- *** Included in Carburetor Kit (491539),
and Pump Repair Kit (393397)
- **** Included in Gasket Set (495868),
and Carburetor Kit (491539)

NOTE: All component dimensions given in U.S. inches
1 inch = 25.4 mm

CRAFTSMAN®