



**REPAIR PARTS MANUAL**  
**MODEL NO. 256370**  
**Lawn Tractor**

---

**CRAFTSMAN®**

# HOW TO USE THIS MANUAL

This manual is designed to provide the customer with a means to identify the parts on his/her tractor when ordering repair parts. The illustrations may or may not represent the actual assemblies; therefore, it is not recommended to use this manual as a guide to assemble or disassemble the tractor. Some hardware and parts are drawn larger in order to more readily identify them.

Each tractor has its own model number.

The model number for your tractor can be found on the fender under the seat.

When ordering parts, always give the following information:

- Product - "Tractor"
- Model Number - "256370"
- Part Number
- Part Description

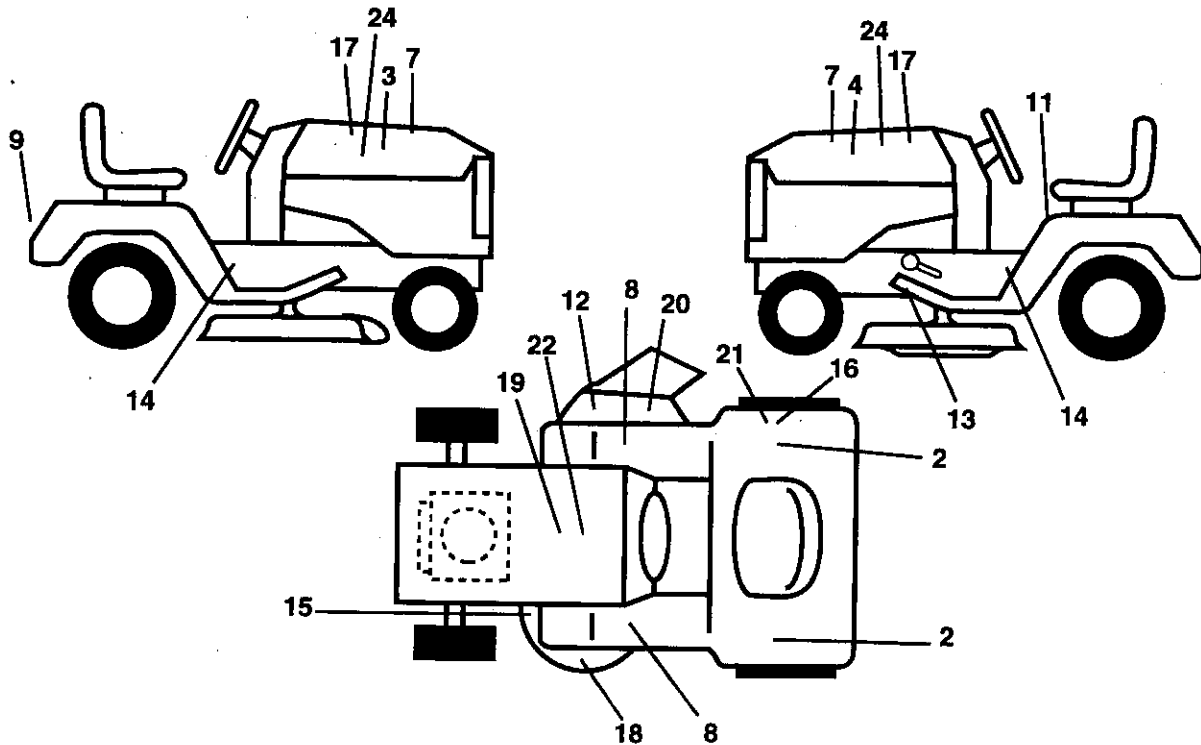
## TABLE OF CONTENTS

CHASSIS .....	6-7
DECALS .....	3
DRIVE .....	8-9
ELECTRICAL.....	4-5
ENGINE .....	14-15
MOWER LIFT LEVER.....	16-17
MOWER DECK .....	18-19
SEAT .....	12-13
STEERING WHEEL .....	10-11
TRANSAXLE .....	20-21

# REPAIR PARTS

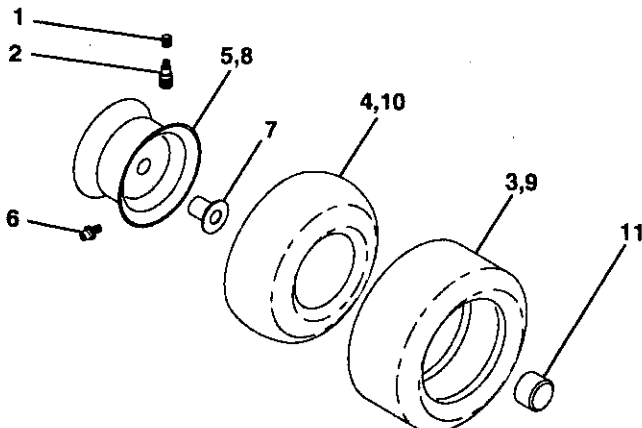
## TRACTOR -- MODEL NUMBER 917.256370

### DECALS



KEY NO.	PART NO.	DESCRIPTION	KEY NO.	PART NO.	DESCRIPTION
2	149917	Decal, Fend Auto Trans Srs. Wht.	18	133179	Decal, Mower Qc System
3	150683	Decal, Hood Rh Craftsman	19	138047	Decal, Battery Diehard Sears
4	150684	Decal, Hood Lh Craftsman	20	150955	Decal, Deck Mower
7	150927	Decal, Panel Side B&S5	21	145437	Decal, Europe Stand CE
8	145245	Pad, Footrest	22	146451	Decal, Battery
9	128314	Decal, Fender Craftsman White	24	138048	Decal, Panel Side Diehard White
11	145498	Decal, Read Owner's Manual	--	138311	Decal, Lift Handle
12	145494	Decal, Mower Cuffinger Sym	--	142341	Decal, Drawbar Cntrl. Mvt. Hyd. Lt.
13	146046	Decal, V-belt Dr Sch Tractor E	--	145247	Fastener Pop-In Footrest
14	151217	Decal, Chassis Hydro 42"	--	153790	Manual, Owner's (Euro)
15	136832	Decal, Mower Drive Schematic	--	153791	Manual, Owner's (Scan)
16	125690X	Decal, 100 DBA	--	153792	Manual, Repair Parts
17	151303	Decal, Insert, Hood			

### WHEELS & TIRES



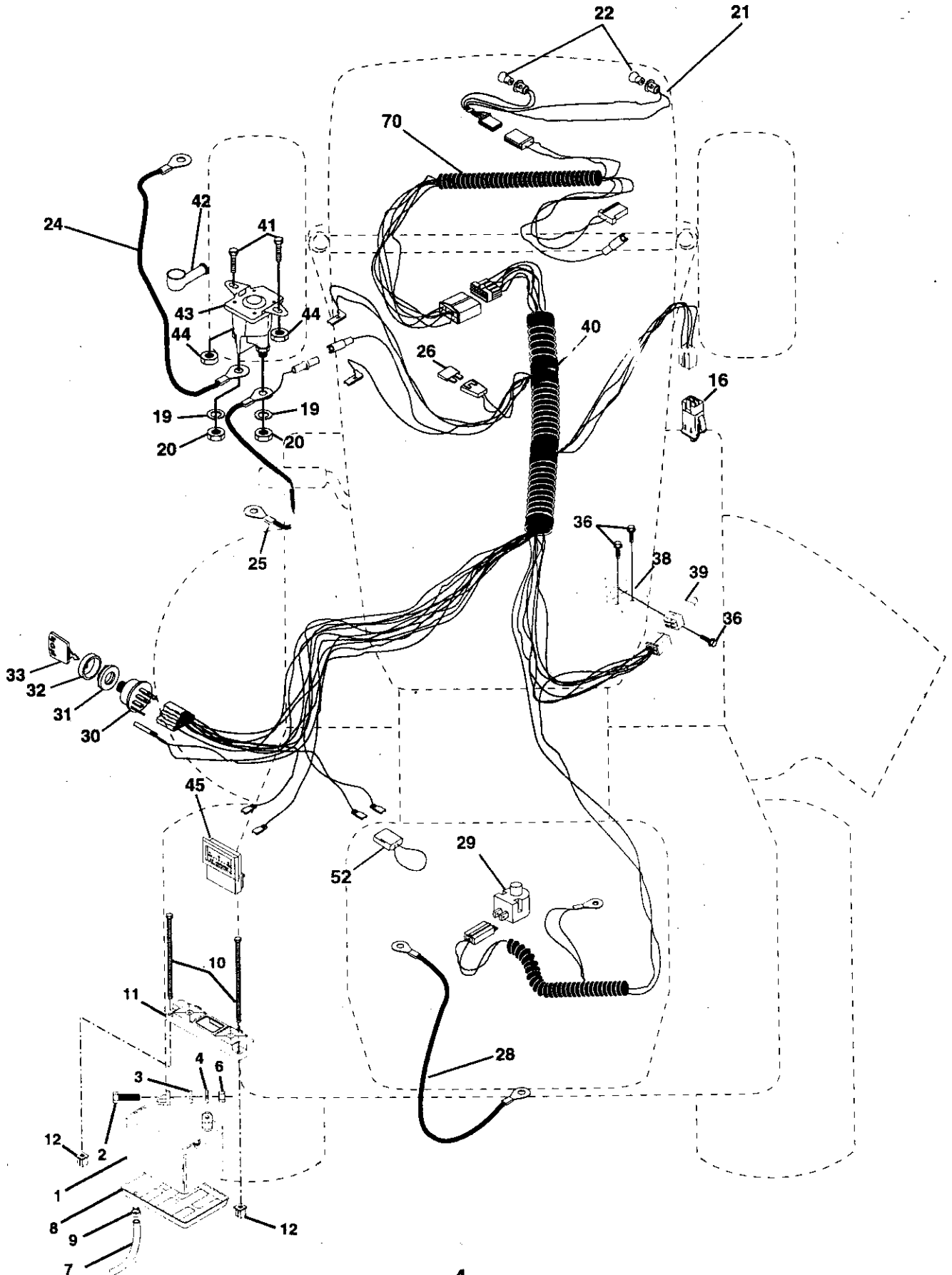
KEY NO.	PART NO.	DESCRIPTION
1	59192	Valve Cap, Tire
2	65139	Stem, Valve
3	106222X	Tire, Front
4	59904	Tube, Front Tire (Not Provided, Service Item Only)
5	106732X427	Rim, Front
6	278H	Fitting, Grease (Front Wheel Only)
7	9040H	Bearing, Flange (Front Wheel Only)
8	106108X427	Rim, Rear
9	122082X	Tire, Rear
10	7152J	Tube, Rear Tire (Not Provided, Service Item Only)
11	104757X	Cap, Axle
--	144334	Sealant, Tire (10 oz. Tube)

**NOTE:** All component dimensions given in U. S. inches  
1 inch = 25.4 mm

# REPAIR PARTS

TRACTOR - - MODEL NUMBER 917.256370

## ELECTRICAL



# REPAIR PARTS

## TRACTOR - - MODEL NUMBER 917.256370

### ELECTRICAL

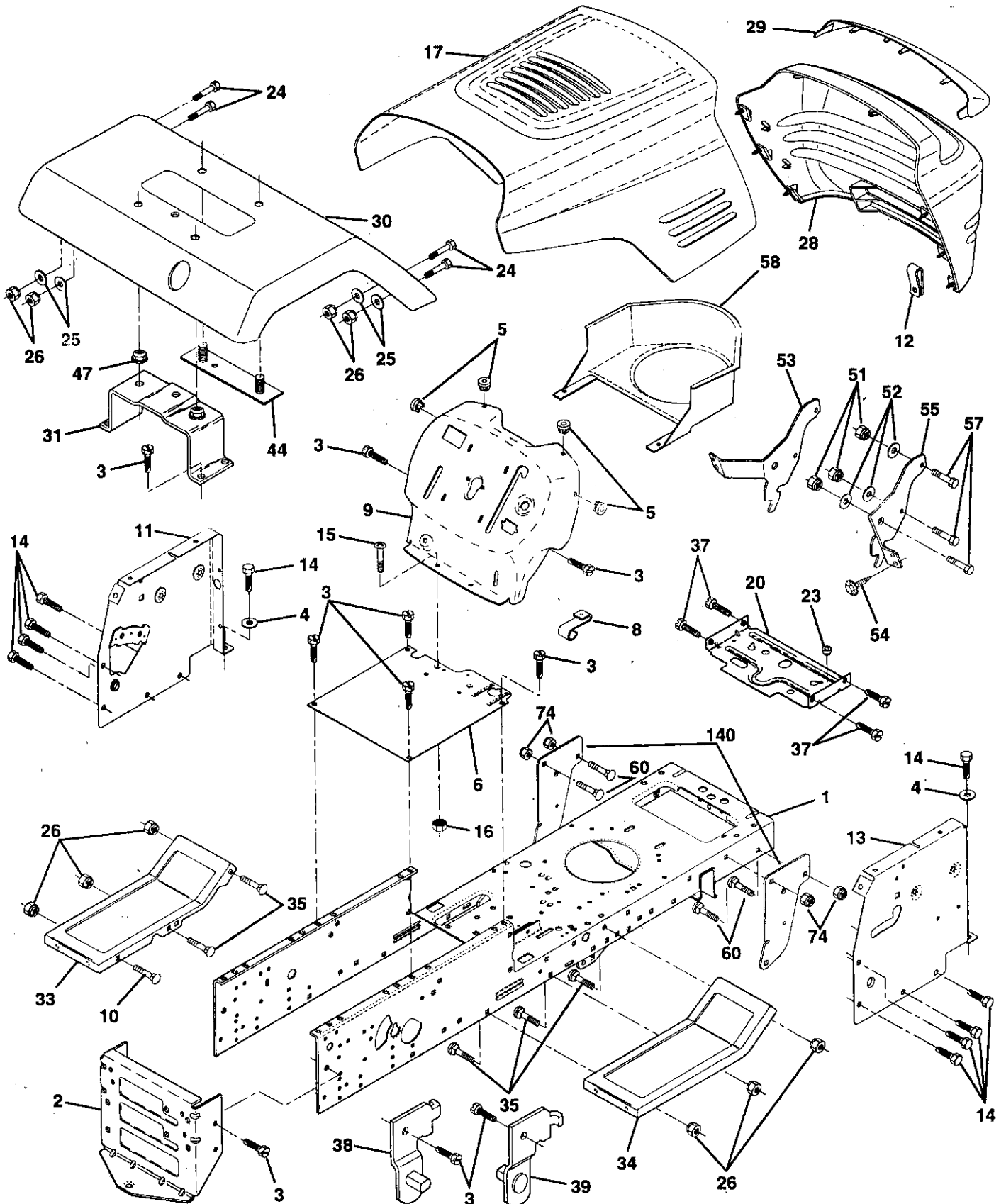
KEY NO.	PART NO.	DESCRIPTION
1	146140	Battery
2	74760412	Bolt, Hex 1/4-20 x 3/4
3	19091016	Washer 9/32 x 5/8 x 16 Gauge
4	10040400	Washer, Lock 1/4
6	73220400	Nut, Hex 1/4-20
7	7697J	Tube
8	7603J	Tray, Battery
9	109596X	Clamp, Hose
10	145211	Bolt, Btr Front 1/4-20 x 7-1/2
11	145209	Holddown Battery Dash Mount
12	145769	Nut, Push Nylon Battery Front 1/4
16	153664	Switch Interlock Push-In
19	10090400	Washer, Lock 1/4
20	73350400	Nut, Hex, Jam 1/4-20
21	147430	Harness, Light Socket (w/4152J)
22	4152J	Light Bulb
24	4206J	Cable, Battery
25	146148	Cable, Battery
26	108824X	Fuse
28	145491	Cable, Ground
29	121305X	Switch, Seat
30	140301	Switch, Ignition 4 Position
31	124211X	Nut, Ignition
32	141226	Cover, Ignition Switch
33	109310X	Key, Molded, Craftsman
36	17021008	Screw, Hex, Tapping #10-24 x 1/2
38	140336	Bracket, Switch Interlock
39	109553X	Switch, Interlock, Attachment Clutch
40	151212	Harness, Ignition
41	71110408	Bolt Blk Fin Hex 1/4-20 UNC x 1/2
42	131563	Cover, Terminal
43	145673	Solenoid
44	73640400	Nut Keps Blk Hex 1/4-20 UNC
45	121433X	Ammeter Rectangular 6 Amp
52	141940	Protection Wire Loop (Hour Meter)
55	17490508	Screw Thdrol 5/16-18 x 1/2
70	140712	Harness Engine LT Private Label

**NOTE:** All component dimensions given in U.S. inches  
1 inch = 25.4 mm

# REPAIR PARTS

TRACTOR -- MODEL NUMBER 917.256370

## CHASSIS AND ENCLOSURES



# REPAIR PARTS

## TRACTOR - - MODEL NUMBER 917.256370

### CHASSIS AND ENCLOSURES

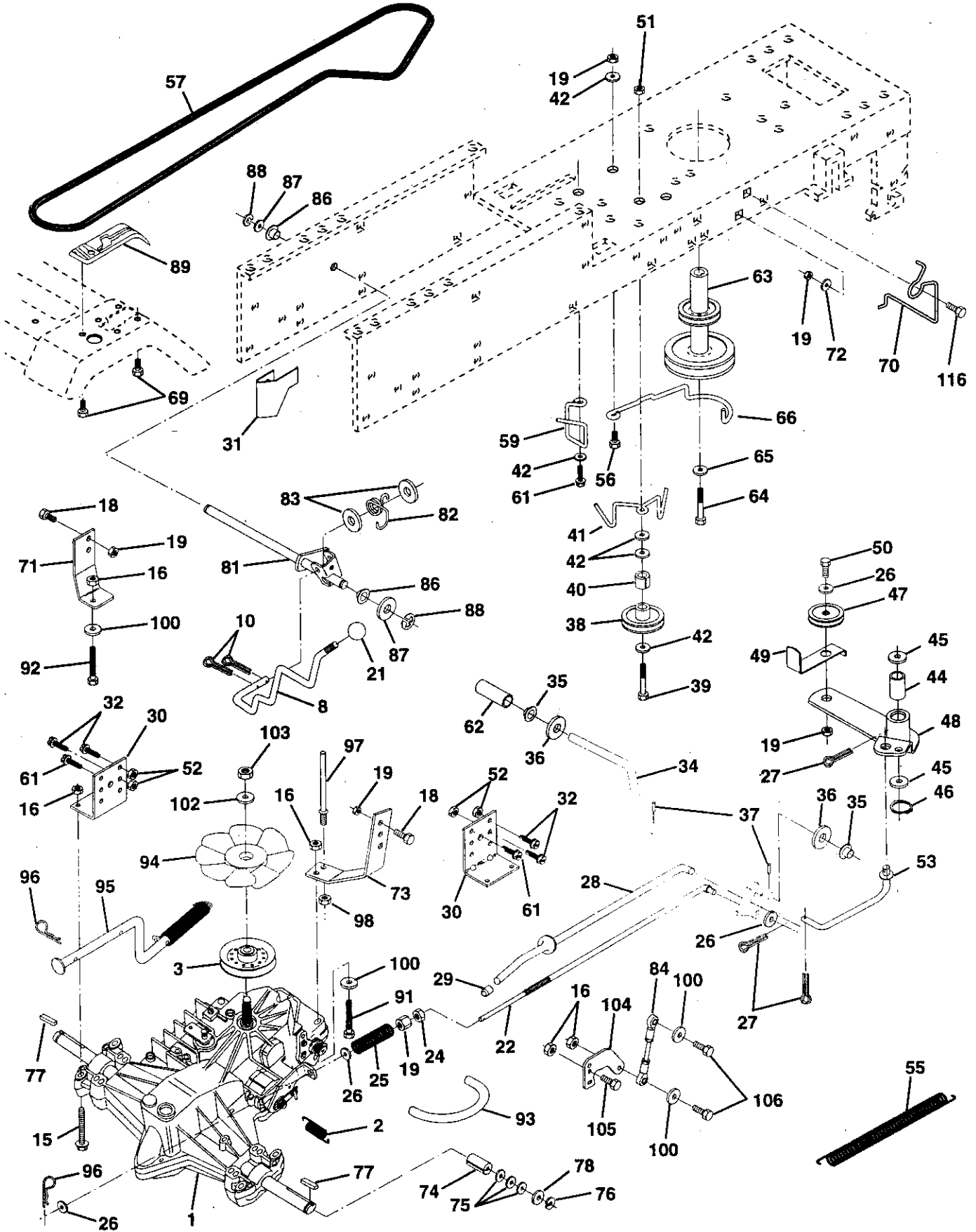
KEY NO.	PART NO.	DESCRIPTION
1	151169	Chassis
2	140356	Drawbar
3	17490612	Screw, Thd., Roll. 3/8-16 x 3/4 Type TT
4	STD551025	Washer 13/32 x 3/4 x 16 Gauge
5	146077	Bumper Snap-In
6	145206	Saddle
8	126471X	Clip, Fuel Line
9	147633X011	Dash, Silkscreened
10	STD533710	Bolt, Carriage 3/8-16 x 1
11	146956	Panel, Dash, LH
12	145660	Clip Tinnerman Grille P/L
13	146962	Panel, Dash, RH
14	17490608	Screw, Thd., Roll. 3/8-16 x 1/2 Type TT
15	74180512	Screw, Machine, Thd., Roll. 5/16-18 UNC x 3/4
16	STD541431	Nut, Hex, Keps 5/16-18 UNC
17	144983X574	Hood Assembly
20	145210	Plate Mtg Battery Fuel Tank 95
23	124028X	Bushing, Snap, Nylon, Fuel Line
24	STD523710	Bolt, Hex Head, Fin. 3/8-16 UNC x 1 Grade 5
25	19131312	Washer 13/32 x 13/16 x 12 Gauge
26	STD541437	Locknut, Hex, with Insert 3/8-16 UNC
28	145198X459	Grille, W/Clips MS-459
29	145199	Lens, Grille
30	140002X574	Fender
31	137113	Bracket, Fender
33	145244X574	Footrest, LH
34	145243X574	Footrest, RH
35	STD533707	Bolt, Carriage 3/8-16 x 3/4
37	17490508	Screw, Thdrol. 5/16-18 x 1/2 TYT
38	139886	Pivot Bracket Assembly, LH, Mower, Rear
39	139887	Pivot Bracket Assembly, RH, Mower, Rear
44	140675	Strap Assembly, Fender
47	105531X	Nut, Push, Nylon
51	73800400	Nut Lock W/Insert 1/4 - 20 UNC
52	19091416	Washer 9/32 X 7/8 X 16 Ga.
53	145201	Bracket Grille Pickoff LH
54	17030814	Screw, Hex Head, Spiderlock #8 x 7/8 AB
55	145202	Bracket Grille Pickoff RH
57	74780412	Bolt FinHex 1/4 -20 UNC X.75
58	140547	Air Duct P/L 18HP B&S Opp. Twin
60	STD533707	Bolt, Rdhd Sqnk 3/8-16 x 3/4
74	STD541437	Nut, Crownlock 3/8-16 UNC
140	150556	Bracket, Chassis Front

**NOTE:** All component dimensions given in U.S. inches  
1 inch = 25.4 mm

# REPAIR PARTS

## TRACTOR -- MODEL NUMBER 917.256370

### DRIVE





# REPAIR PARTS

## TRACTOR - - MODEL NUMBER 917.256370

### DRIVE

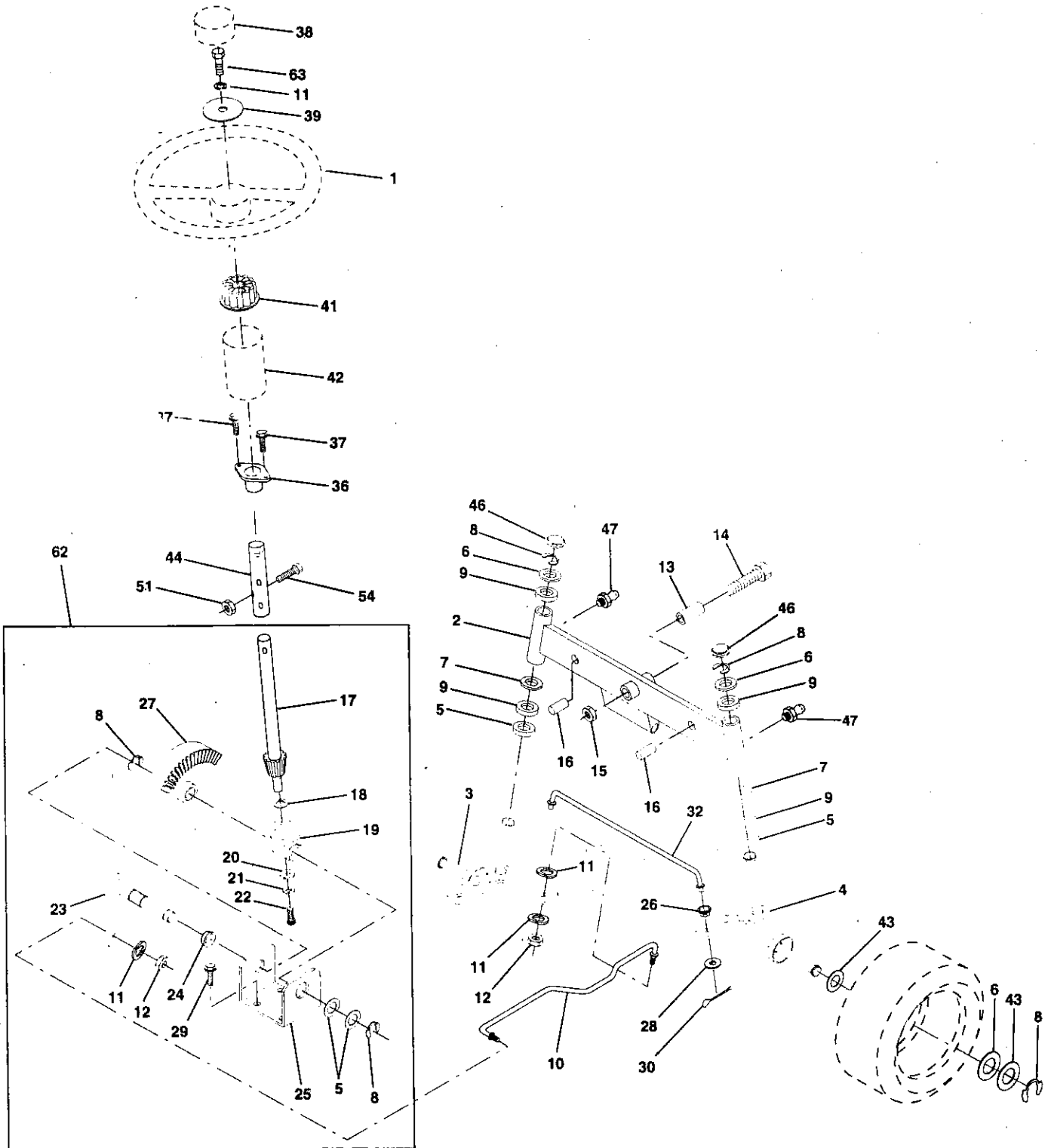
KEY NO.	PART NO.	DESCRIPTION	KEY NO.	PART NO.	DESCRIPTION
1	150071	Transaxle Assembly	59	140312	Keeper, Center Span
2	142431	Spring, Return, Brake	61	17490612	Screw Thdrol, 3/8-16 x 3/4 Ty. TT
3	143995	Pulley, Transaxle	62	8883R	Cover, Pedal
8	141002	Rod Shift Hydro LT	63	140186	Pulley, Engine
10	76020416	Pin Cotter 1/8 x 1 CAD	64	71170764	Bolt Hex 7/16-20 x 4 Gr. 5
15	74490544	Bolt Hex Flghd 5/16-18 Gr. 5	65	10040700	Washer
16	73800500	Nut Lock Hex W/Ins. 5/16-18 Unc	66	153400	Keeper Belt Engine
18	74780616	Bolt Fin Hex 3/8-16 Unc x 1 Gr. 5	69	142432	Screw
19	73800600	Nut Lock Hex W/Wsh 3/8-16 Unc	70	134683	Keeper Belt Engine
21	130564	Knob, Deluxe 1/2-13	71	140158	Strap Torque Lh Hydro 18/20" T
22	145627	Rod, Brake Hydro	72	19132012	Washer 13/32 x 1-1/4 x 12 Gauge
24	73350600	Nut, Hex Jam 3/8-16 Unc	73	140157	Strap Torque Rh Hydro 18/20" T
25	106888X	Spring, Brake Rod	74	121199X	Spacer, Split
26	19131316	Washer	75	121749X	Washer 25/32 x 1-1/4 x 16 Gauge
27	76020412	Pin Cotter 1/8 x 3/4 CAD.	76	12000001	E-Ring
28	145204	Rod, Parking Brake	77	123583X	Key, Square
29	124236X	Cap, Parking Brake	78	121748X	Washer 25/32 x 1-5/8 x 16 Gauge
30	130807	Bracket, Transaxle	81	140154	Shaft Asm. Cross Hydro 20" Tires
31	127275X	Keeper Belt Lh	82	23782X	Spring Torsion T/A
32	74760512	Bolt Hex Hd 5/16-18 Unc x 3/4	83	19171216	Washer 17/32 x 3/4 x 16 Ga.
34	151128	Shaft, Foot Pedal	84	140548	Spring Hydro 20" Tires
35	12018	Bearing, Nylon	86	1208	Bushing Rod Strig. 629/632 ID
36	19217016	Washer	87	19212016	Washer 21/32 x 1-1/4 x 16 Ga.
37	1572H	Pin, Roll	88	12000008	Ring Klip #5304-62
38	123674X	Pulley, Idler, Flat	89	151146	Console, Shift
39	74760644	Bolt	91	74780536	Bolt Fin Hex 5/16-18 x 2-1/4
40	4470J	Spacer, Split	92	74780524	Bolt Fin Hex 5/6-18 Unc x 1-1/2
41	153399	Keeper, Belt Idler	93	142564	Line Fuel Hydro 4"
42	19131312	Washer 13/32 x 13/16 x 12 Gauge	94	140462	Fan, Hydro 7"
44	105706X	Bearing, Nylon	95	144643	Control Bypass Hydro 20" Tires
45	110812X	Washer, Hardened	96	4497H	Retainer Spring 1" Zinc/Cad
46	12000039	Ring, Klip	97	140469	Keeper Bolt Rh Hydro 0750. 18/20"
47	127783	Pulley, Idler, V-Groove	98	73510600	Nut Keps Hex 3/8-16 Unc
48	123789X	Bellcrank Assembly	100	19111216	Washer 11/32 x 3/4 x 16 Ga.
49	123205X	Retainer, Belt	102	141322	Washer Belleville .501D x 1.50D
50	74760624	Bolt	103	73940800	Nut Hex Jam Toplock 1/4-20 Unf
51	73680600	Nut Crownlock 3/8-16 UNC	104	140156	Arm, Control Hydro
52	73680500	Nut, Crownlock 5/16-18 Unc	105	71070516	Screw Cap Hex 5/16 x 18 x 1
53	105710X	Link, Clutch	106	74780520	Bolt Fin Hex 5/16-18 Unc x 1-1/4
55	105709X	Spring, Return, Clutch	116	72110610	Bolt, Rdhd Sqnk 3/8-16 x 1-1/4
56	74760620	Bolt Hex 3/8-16 x 1-1/4			
57	140294	V-Belt, Ground Drive			

**NOTE:** All component dimensions given in U.S. inches  
1 inch = 25.4 mm

# REPAIR PARTS

TRACTOR -- MODEL NUMBER 917.256370

## STEERING ASSEMBLY



# REPAIR PARTS

## TRACTOR - - MODEL NUMBER 917.256370

### STEERING ASSEMBLY

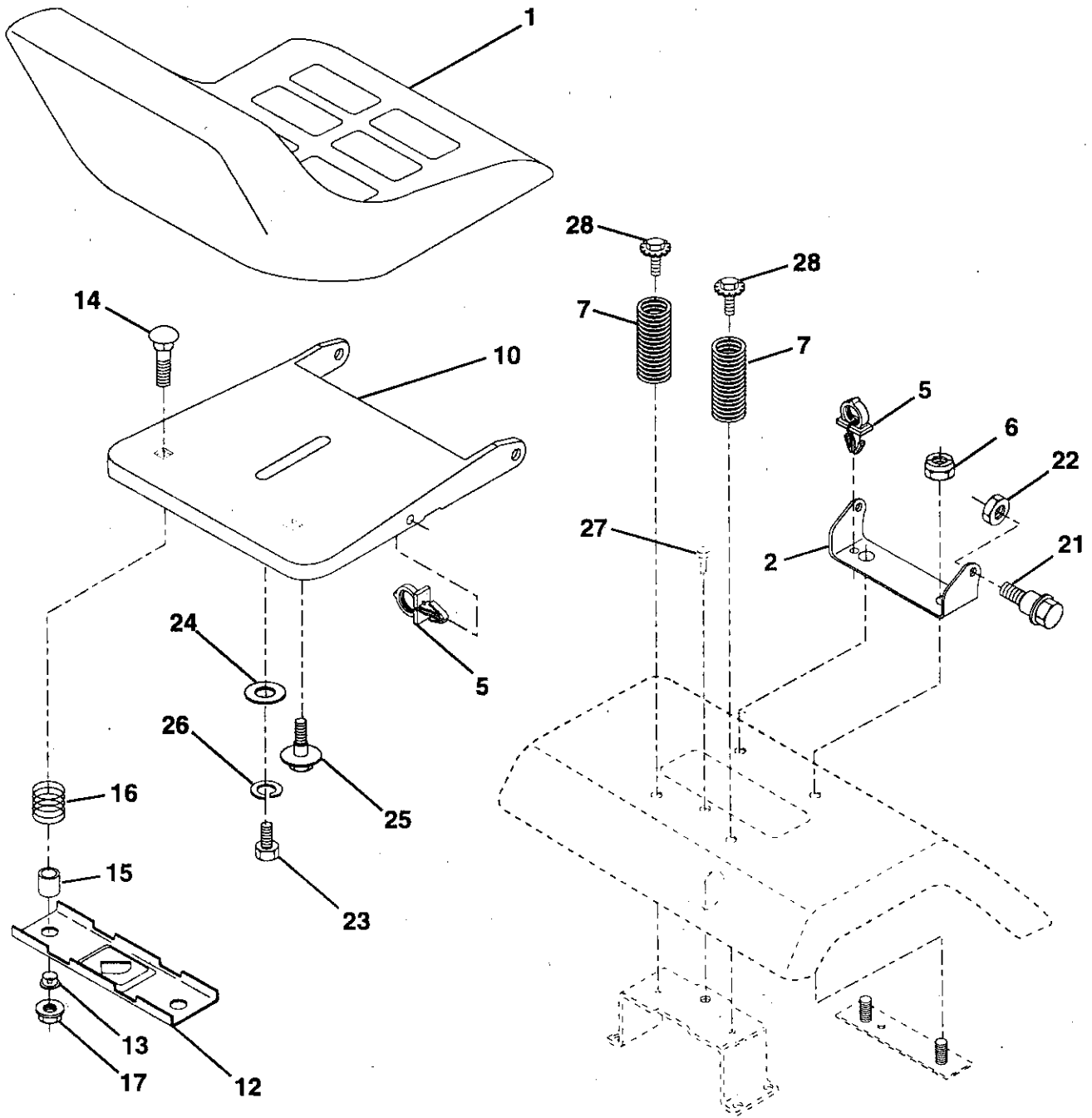
KEY NO.	PART NO.	DESCRIPTION
1	139768	Wheel Steering Std Black
2	142033	Axle Asm Front
3	135227	Spindle Asm Lh
4	135228	Spindle Asm Rh
5	6266H	Bearing Race Thrust Harden
6	121748X	Washer 25/32 X 1 5/8 X 16ga
7	19272016	Washer 27/32 X 1 1/4 X 16 Ga
8	12000029	Ring Klip #t5304-75
9	3366R	Bearing Col Strg Blk
10	130468	Link Drag Sol Ball Jt 20 064
11	STD551137	Washer Lock Hvy Hlcl Spr 3/8
12	73610600	Nut Fin Hex 3/8-24 Unf
13	110438X	Spacer Bearing Axle Front
14	74011056	Bolt Hex 5/8-11 Unc X 3-1/2
15	73901000	Locknut Flange 5/8-11 Unc
16	132624	Pin Axle 5/8 X 1 55/1 54 Lg
17	140176	Shaft Asm Strg Private Label
18	57079	Washer Thrust 515x 750x 033
19	124035X	Support Shaft
20	126684X	Washer Shim 1/4 X 5/8 X 062
21	STD551125	Washer Lock Hvy Helical 1/4
22	71100410	Screw Cap Sckt Hd Phos & Oil
23	127501	Shaft Asm Pittman
24	109816X	Nyliner Snap In
25	124036X	Bracket Steering
26	126847X	Bushing Rod Tie Blk Lt
27	136874	Gear Sector
28	19131416	Washer 13/32 X 7/8 X 16ga
29	17490612	Screw Thdrol 3/8-16x3/4 Ty-tt
30	STD561210	Pin Cotter 1/8 X 3/4 Cad
32	130465	Rod Tie Wire Form 19 75 Mech
36	132196	Bushing Strg 5/8 Id Dash
37	STD611005	Screw Slftp #10-16 X 1/2 Ty-b
38	139769	Insert Cap Strg Wheel Std Blk
39	19133808	Washer 13/32 X 2-3/8 X 8 Ga
41	100711L	Adaptor Wheel Strg
42	145054	Boot Shaft Steering
43	121749X	Washer 25/32 X 1 1/4 X 16 Ga
44	153720	Extension Steering Non-Adjust
46	121232X	Cap Spindle Fr Top Blk
47	6855M	Fitting Grease
51	73800500	Nut Lock Hex W/Ins 5/16 -18 UNC
54	74780520	Bolt Fin Hex 5/16 - 18 UNC X 1 -1/4
62	149686	Kit, Sterring Assembly
63	74780616	Bolt, Fin Hex 3/8-16 x 1 Gr. 5

**NOTE:** All component dimensions given in U.S. inches  
1 inch = 25.4 mm

# REPAIR PARTS

TRACTOR -- MODEL NUMBER 917.256370

## SEAT ASSEMBLY



# REPAIR PARTS

TRACTOR - - MODEL NUMBER 917.256370

## SEAT ASSEMBLY

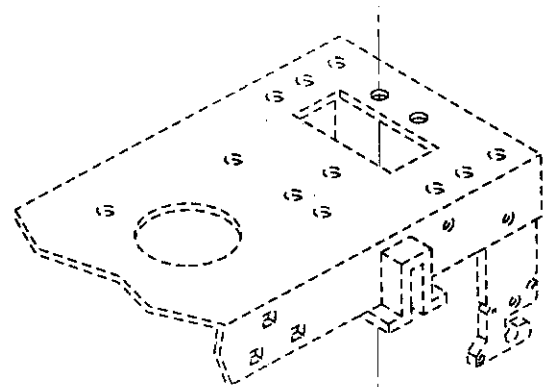
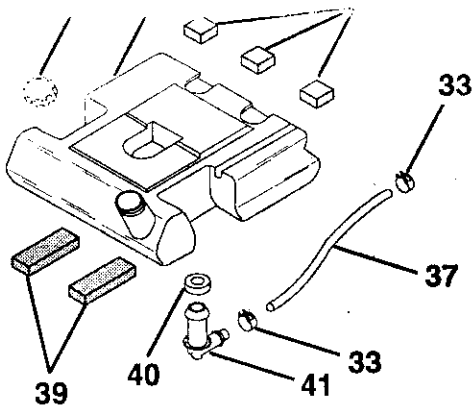
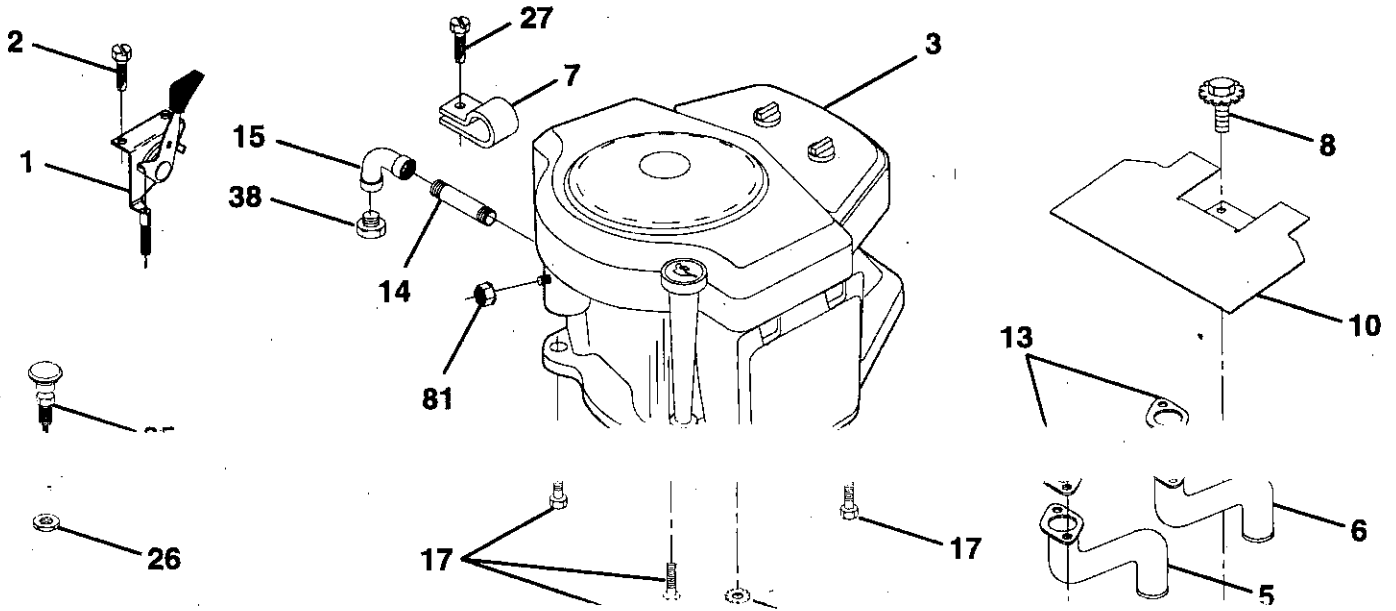
KEY NO.	PART NO.	DESCRIPTION
1	140123	Seat
2	140551	Bracket Pnt Pivot Seat (blk )
5	145006	Clip Push-In
6	STD541437	Nut Lock Hex W/Ins 3/8 -16 UNC
7	124181X	Spring Seat Cprsn 2 250 Blk Zi
10	140552	Pan Pnt Seat (blk )
12	121246X	Bracket Pnt Mounting Switch
13	121248X	Bushing Snap Blk Nyl 50 Id
14	72050411	Bolt Rdhd Sht Nk 1/4-20x1-3/8
15	134300	Spacer Split 28 X 96 Zinc
16	121250X	Spring Cprsn 1 27 Blk Pnt
17	123976X	Nut Lock 1/4 Lge Flg Gr 5 Zinc
21	153236	Bolt Shoulder 5/16-18 Unc Blkz
22	STD541431	Nut Lock Hex W/Ins 5/16-18
23	74780814	Bolt Fin Hex 1/2-13 X 7/8 Gr 5
24	19171912	Washer 17/32 X 1-3/16 X 12 Ga
25	127018X	Bolt Shoulder 5/16-18 X 62
26	STD551150	Washer Lock Hvy Hlcl Spr 1/2
27	17490608	Screw Thdrol. 3/8-16 x 1/2
28	150176	Bolt 5/16 -18 UNC X 3/4 W/Sems

**NOTE:** All component dimensions given in U.S. inches  
1 inch = 25.4 mm

# REPAIR PARTS

TRACTOR -- MODEL NUMBER 917.256370

## ENGINE



29

**OPTIONAL EQUIPMENT**  
**Spark Arrester**

# REPAIR PARTS

## TRACTOR - - MODEL NUMBER 917.256370

### ENGINE

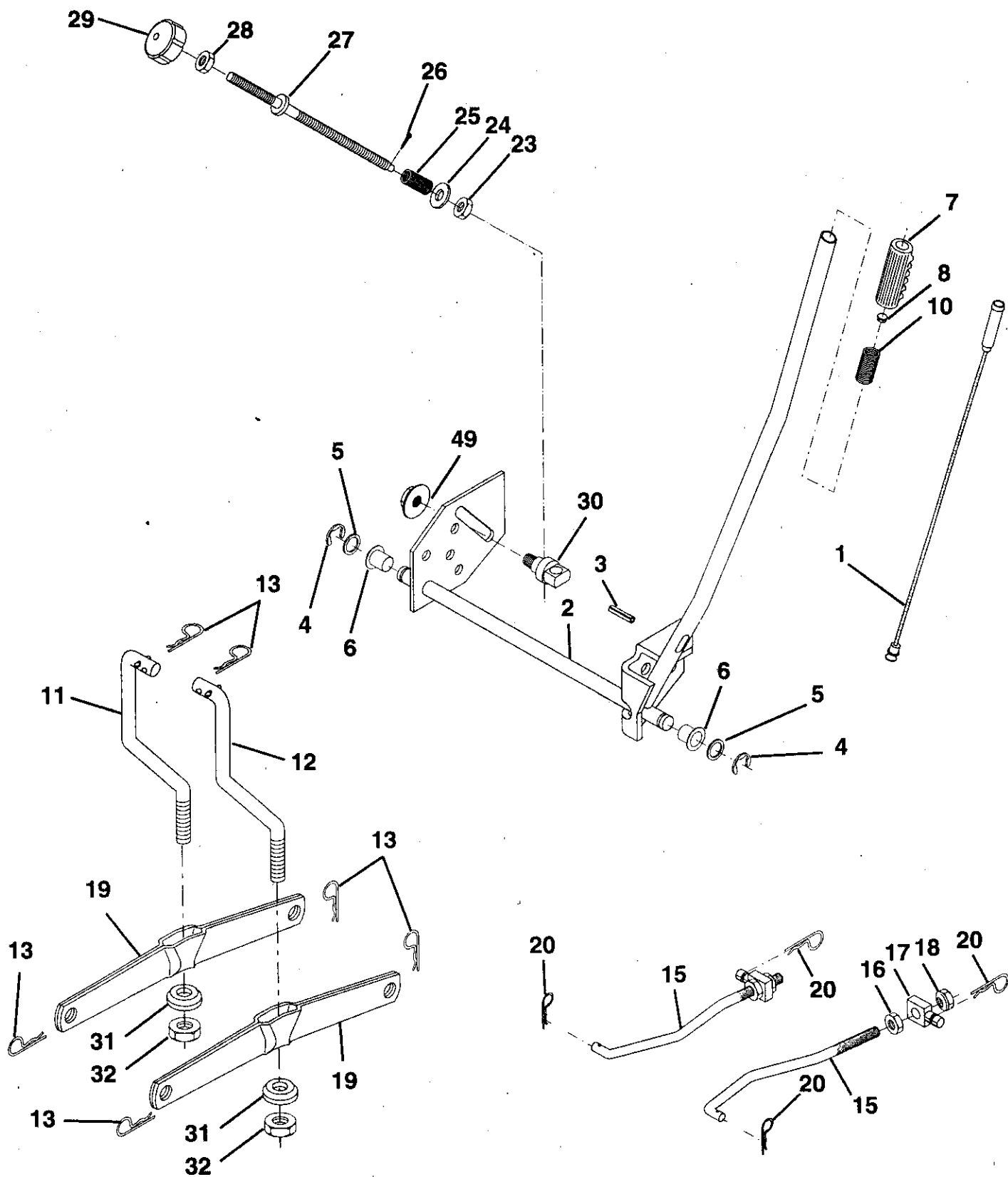
KEY NO.	PART NO.	DESCRIPTION
1	151273	Control Throt Paddle 32 22
2	17720410	Screw Hex Thd Cut 1/4-20x5/8 T
3	150465	Engine B&s 19hp, Model No. 42A707, Type No. 1624-01
4	149723	Muffler Exhaust
5	144069	Exhaust Asm. Left
6	144068	Exhaust Asm. Right
7	138129	Clamp Tube Double Engine
8	150176	Bolt 5/16 - 18 UNC X 3/4 W/Sems
10	145552	Heat Shield Lt
11	STD551125	Washer Lock Hvy. Helical 1/4
12	STD522507	Bolt Fin Hex 1/4-20 x 3/4
13	272250	Gasket Muffler
14	13280336	Nipple Pipe 4-1/2"
15	13200300	Elbow Std 90 Degree 3/8-18 Npt
16	STD551237	Washer Lock Ext Tooth 3/8
17	17490624	Screw Thdrol 3/8-16x1-1/2 Tytt
23	150554	Shield Pnt Browning
25	145996	Control Choke
26	73920600	Nut Keps 3/8-24 Unf
27	17541008	Screw Slftp #10-24 x 1/2
29	137180	Arrestor Spark
31	151346	Tank Fuel 3.50 Rear
32	151296	Cap Asm Fuel W/Guage Vented
33	123487X	Clamp Hose Blk
34	106082X	Spacer Pad
35	17490512	Screw, Thdrol 5/16-18 x 3/4
37	8543R	Line Fuel
38	-----	Plug Oil Drain (Order From Engine Manufacturer)
39	109227X	Pad Idler 1.75 x .75 x .06
40	3645J	Bushing
41	139277	Stem Tank Fuel
81	128861	Nut, Flange 1/4-20 Starter Nut

**NOTE:** All component dimensions given in U.S. inches  
1 inch = 25.4 mm

# REPAIR PARTS

TRACTOR -- MODEL NUMBER 917.256370

## MOWER LIFT





# REPAIR PARTS

TRACTOR - - MODEL NUMBER 917.256370

## MOWER LIFT

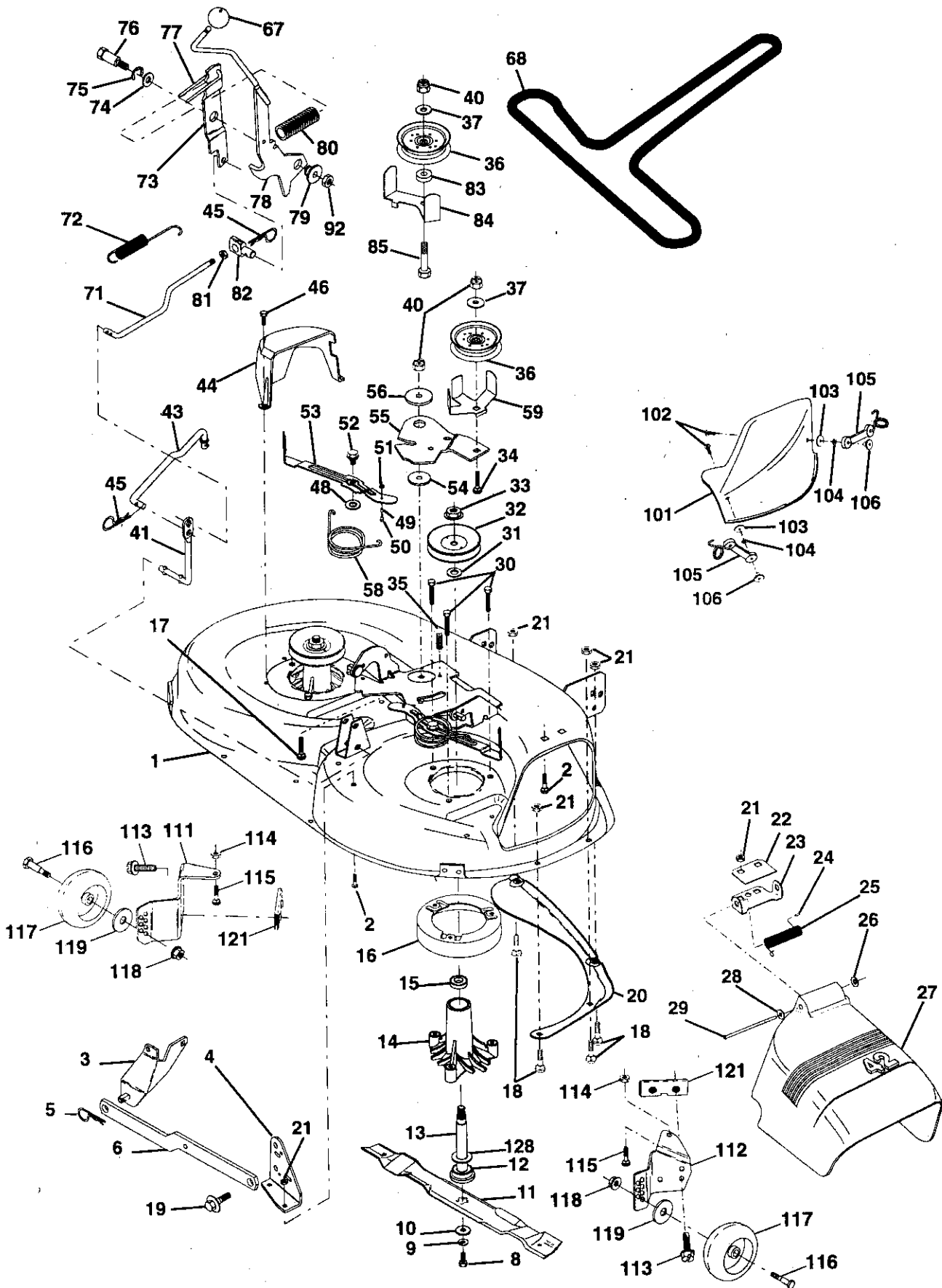
KEY NO.	PART NO.	DESCRIPTION
1	136973	Wire Assy., Inner, with Plunger
2	145117	Shaft Asm. Lift
3	105767X	Pin Groove
4	12000002	E Ring #5133-62
5	19211621	Washer 21/32 x 1 x 21 Ga.
6	120183X	Bearing Nylon
7	125631X	Grip Handle Fluted
8	122365X	Button Plunger Read
10	122512X	Spring Cprsn
11	139865	Link Lift Lh Fixed Length
12	139866	Link Lift Rh Fixed Length
13	STD624008	Retainer Spring
15	127218	Link Front
16	73350800	Nut Jam Hex 1/2-13 Unc
17	130171	Trunnion Blk Zinc
18	73800800	Nut Lock W/Wsh 1/2-13 Unc
19	139868	Arm Suspension Rear
20	STD624008	Retainer Spring
23	110807X	Nut Spring
24	19131016	Washer 13/32 x 5/8 x 16 Ga.
25	2876H	Spring 2-1/8"
26	76020308	Pin cotter 3/32 x 1/2
27	126971X	Rod Adj. Lift
28	73350600	Nut Hex Jam 3/8-16
29	138057	Knob Inf. 3/8-16
30	150233	Trunnion Inf. Hgt.
31	140302	Bearing, Pivot, Lift, Special
32	73540600	Nut, Crownlock 3/8-24
49	145212	Nut, Flange Lock

**NOTE:** All component dimensions given in U.S. inches  
1 inch = 25.4 mm

# REPAIR PARTS

TRACTOR -- MODEL NUMBER 917.256370

## MOWER DECK



# REPAIR PARTS

## TRACTOR - - MODEL NUMBER 917.256370

### MOWER DECK

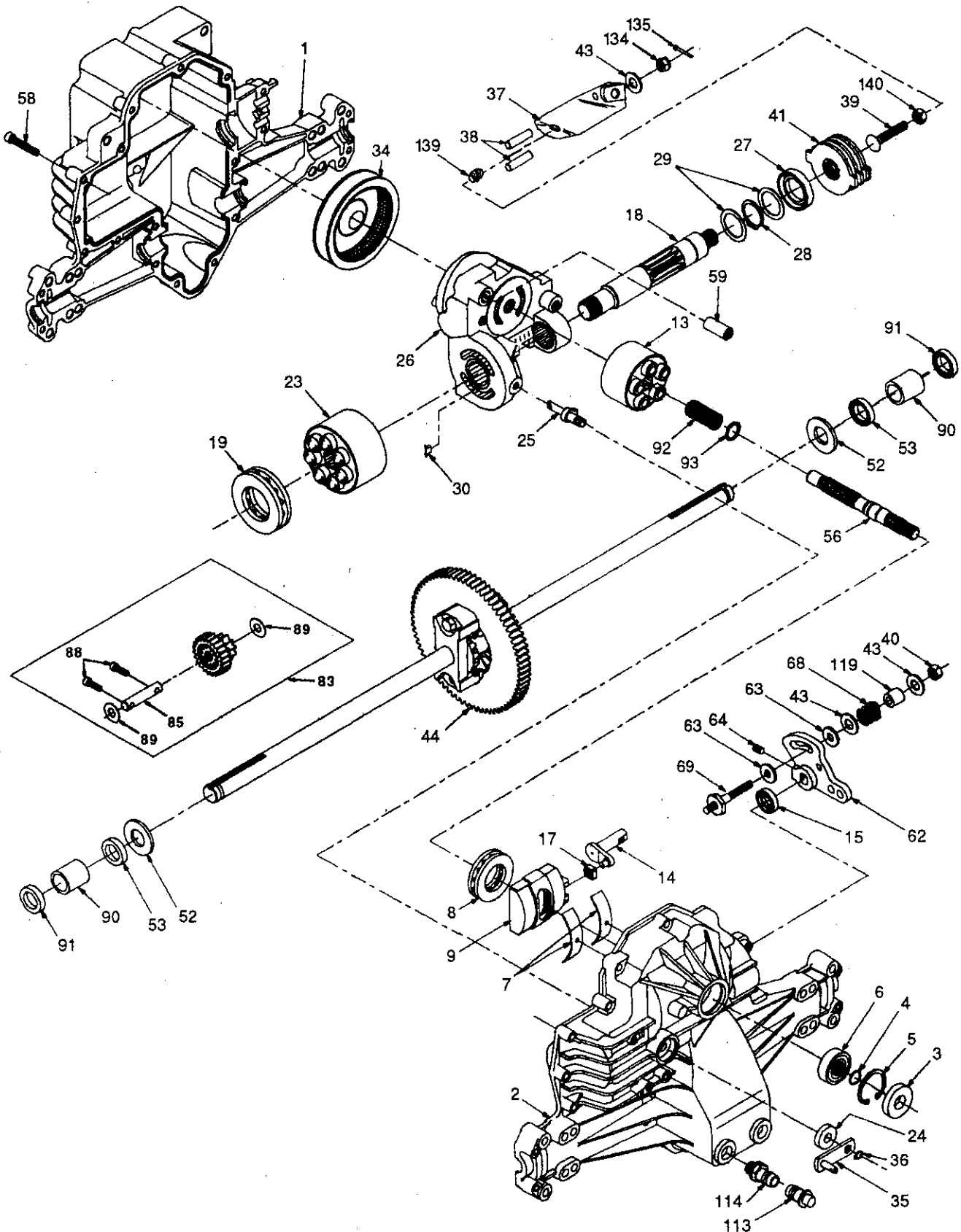
KEY NO.	PART NO.	DESCRIPTION	KEY NO.	PART NO.	DESCRIPTION
1	144393	Mower Deck Assembly, 42"			
2	STD533107	Bolt	55	140084	Arm, Idler
3	138017	Bracket Asm Fr. Sway Bar	56	122052X	Spacer, Retainer
4	138440	Bracket Asm Deck 42" Sway Bar	58	140086	Spring, Torsion, Brake
5	STD624008	Retainer Spring	59	141043	Guard, Idler
6	130832	Arm, Suspension, Rear	67	149846	Knob Custom Dual
8	850857	Bolt 3/8-24 x 1.25 Grade 8	68	144200	V-Belt, 42" Mower
9	STD551137	Washer, Lock	71	142427	Rod, Clutch, Primary
10	140296	Washer, Hardened	72	131870	Spring, Extension, Return
11	134149	Blade, Mulching, 42" Mower Deck	73	127847	Arm, Clutch, Secondary
12	129895	Bearing, Ball	74	121748X	Washer 25/32 x 1-5/8 x 16 Gauge
13	137645	Shaft Assembly, Mandrel, Vented (Includes Key Number 12)	75	12000029	Ring, Klip
14	128774	Housing, Mandrel, Vented	76	128903	Bolt, Shoulder 3/8-16 UNC x 1.44
15	110485X	Bearing, Ball, Mandrel	77	127845	Keeper, Spring
16	140329	Stripper, Vented Mower Deck	78	145132	Arm, Clutch, Primary
17	72110610	Bolt, Carriage 3/8-16 x 2-1/4	79	127498	Bushing, Large, Brass
18	72140505	Bolt, Carriage 5/16-18 x 5/8	80	128759	Spring, Mower Clutch
19	132827	Bolt, Shoulder	81	73350600	Nut, Hex, Jam 3/8-16
20	136888	Baffle, Vortex	82	142028	Trunnion
21	73680500	Nut Crownlock 5/16-18	83	120958X	Washer Sintered
22	134753	Stiffener Bracket	84	144394	Keeper, Belt Idler Fixed
23	131267	Bracket, Deflector	85	72140618	Bolt, RdHd Sqnc 3/8-16 x 2-1/4 Gr. 5
24	105304X	Cap, Sleeve	92	73800600	Locknut, Hex W/Wash Insert
25	123713X	Spring, Torsion, Deflector	101	136420	Mulcher cover
26	110452X	Nut, Push	102	71161010	Screw
27	130968	Shield, Deflector	103	19061216	Washer #10
28	19111016	Washer 11/32 x 5/8 x 16 Gauge	104	STD551110	Washer, Lock
29	131491	Rod, Hinge	105	130758	Latch Assembly, Bagger
30	138776	Bolt 5/16-18 x 1.25	106	2029J	Nut, Weld
31	129963	Washer, Spacer	111	140353	Bracket, Gauge, Wheel L.H.
32	153535	Pulley, Mandrel	112	132262	Bracket, Gauge, Wheel R.H.
33	137266	Nut, Flanged, Toplock 9/16	113	17490512	Screw, Thdrol 5/16 -18 x 3/4
34	STD533717	Bolt	114	73510500	Nut, Hex Keps 5/16-18 UNC
35	133835	Fastner, Christmas Tree	115	72110504	Bolt, Carriage 5/16UNC x 1/2
36	131494	Pulley, Idler, Flat	116	137644	Bolt, Shoulder
37	STD551037	Washer 13/32 x 13/16 x 16 Gauge	117	133957	Wheel, Gauge
40	73680600	Nut, Crownlock	118	73930600	Nut, Centerlock 3/8-16
41	133551	Rod, Pivot, with Nibs	119	STD551037	Washer 3/8 x 7/8 x 14 Ga.
43	140083	Rod, Clutch, Secondary, with Nibs	121	143723	Bracket, Extruded Gauge Wheel
44	140088	Guard, Mandrel, LH	--	130794	Mandrel Assembly (Includes Key Numbers 8-10, 12-15, 31 and 33)
45	STD624003	Retainer	--	145411	Mower Deck, Complete (Standard Deck; Order Mulcher Plate and Gauge Wheel Components Separately - Key Nos. 101-106, 111-119, 121)
46	137729	Screw, Hex Hd, Thdcut 1/4-20 x 5/8			
48	133944	Washer, Hardened			
49	133940	Roller Assembly, Cam Follower			
50	131340	Bolt, Shoulder #10-24 Grade 5			
51	STD541410	Locknut			
52	139888	Bolt, Shoulder 5/16-18 UNC			
53	131845	Arm Assembly, Pad, Brake			
54	133943	Washer, Hardened			

**NOTE:** All component dimensions given in U.S. inches  
1 inch = 25.4 mm

# REPAIR PARTS

TRACTOR - - MODEL NUMBER 917.256370

HYDRO GEAR TRANSAXLE - MODEL NUMBER 310-0650



# REPAIR PARTS

## TRACTOR - - MODEL NUMBER 917.256370

### HYDRO GEAR TRANSAXLE - MODEL NUMBER 310-0650

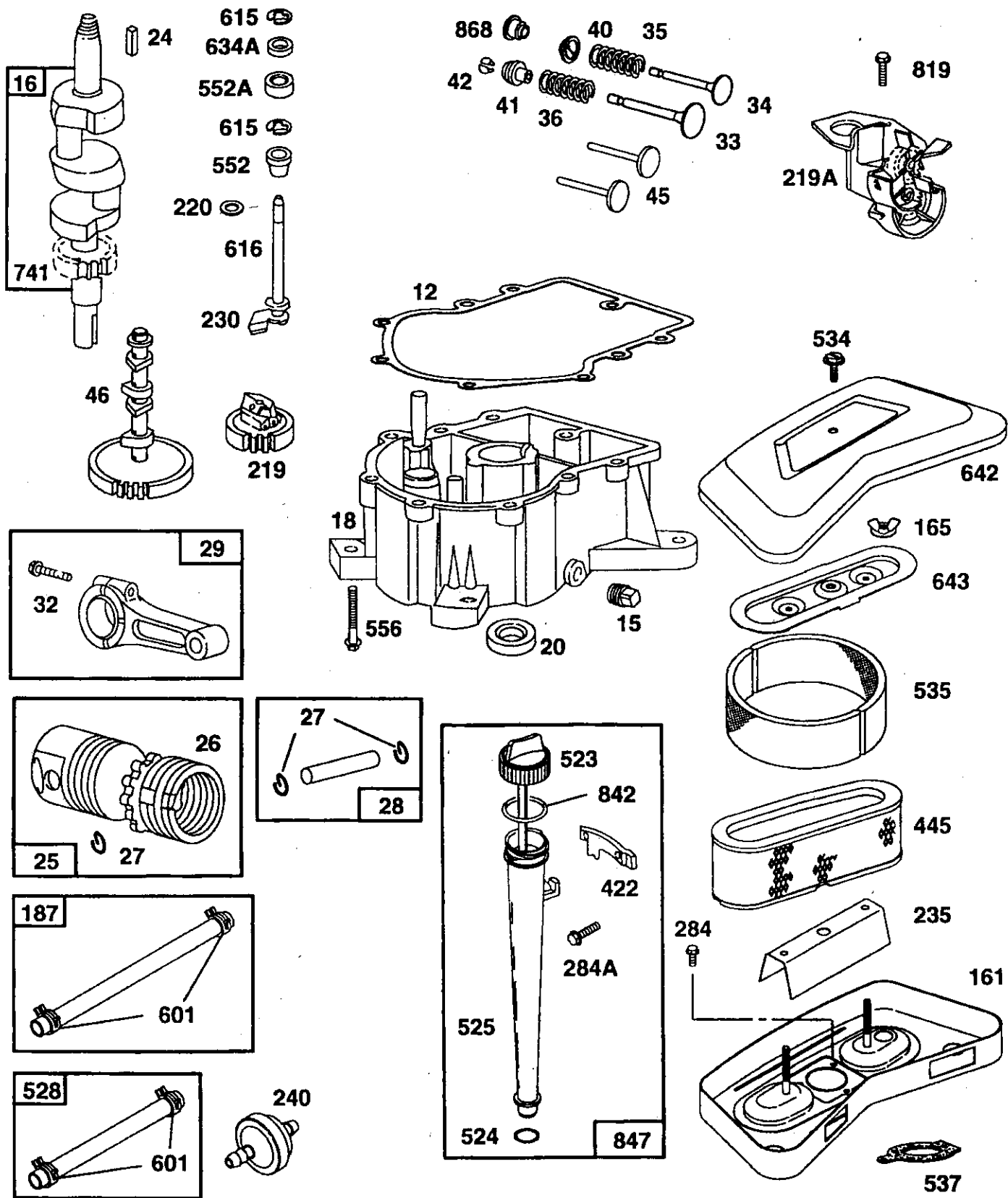
KEY PART NO. NO.	DESCRIPTION	KEY PART NO. NO.	DESCRIPTION
1 142930	Housing, Lower	43 142884	Washer 7/16 x 7/8 x .060
2 142931	Assembly, Upper Housing	44 150829	Differential Assembly
3 142932	Seal, Lip	52 142991	Washer 3/4 x 1.5 x .13
4 142928	Ring, Wire Retaining	53 142961	Seal .75 x 1.25 x .250
5 142933	Ring, Retaining	56 142963	Shaft, Input
6 142934	Bearing, Shaft Ball	58 142964	Bolt 1/4-20 x 1.38
7 142935	Bearing, Cradle	59 142965	Pin .5 OD x .43 ID x .750
8 150771	Bearing, Thrust 30 x 52 x 13	62 142966	Arm, Control
9 142937	Swashplate, Variable	63 142967	Puck, Dampener
13 142938	Block, Cylinder Assembly	64 142920	Set Screw
14 142939	Arm, Trunnion	68 142969	Spring
15 142940	Seal, Lip	69 144610	Stud 5/16-24
17 142941	Guide, Slot	83 142971	Jackshaft Assembly
18 150772	Shaft, Motor	85 150806	Jackshaft
19 150773	Bearing, Thrust 42 x 68 x 16	88 142973	Screw, Cap
23 142944	Block, Cylinder Assembly	89 142974	Washer 7/16 x 1 x 1/2
24 142945	Seal, Lip 10 x 25 x 7	90 142975	Sleeve Bearing
25 142946	Actuator, Bypass	91 142976	Seal, Wiper
26 150774	Center Section Assembly Kit	92 142977	Spring, Block
27 142948	Seal, Lip 26 x 42 x 8	93 142978	Washer, Block Thrust
28 142949	Ring, Retaining	113 142917	Cap, Vent Assembly
29 142950	Washer 26 x 35 x 1	114 142918	Fitting, O-Ring Assembly
34 142951	Oil Filter Element	119 142980	Spacer
35 142952	Arm, Bypass	137 144607	Nut, Castle 5/16-24
36 142953	Ring, Retaining	135 144608	Pin, Cotter
37 142954	Arm, Actuating	139 150775	Spring, Compression
38 142955	Pin, Actuating	140 150776	Nut, Hex 5/16-24
39 150777	Bolt 5/16-24 x 1-3/4		
40 150778	Locknut, Hex 5/16-24 UNJC		
41 142958	Brake Rotor/Stator Kit		

**NOTE:** All component dimensions given in U.S. inches  
1 inch = 25.4 mm

# REPAIR PARTS

TRACTOR -- MODEL NUMBER 917.256370

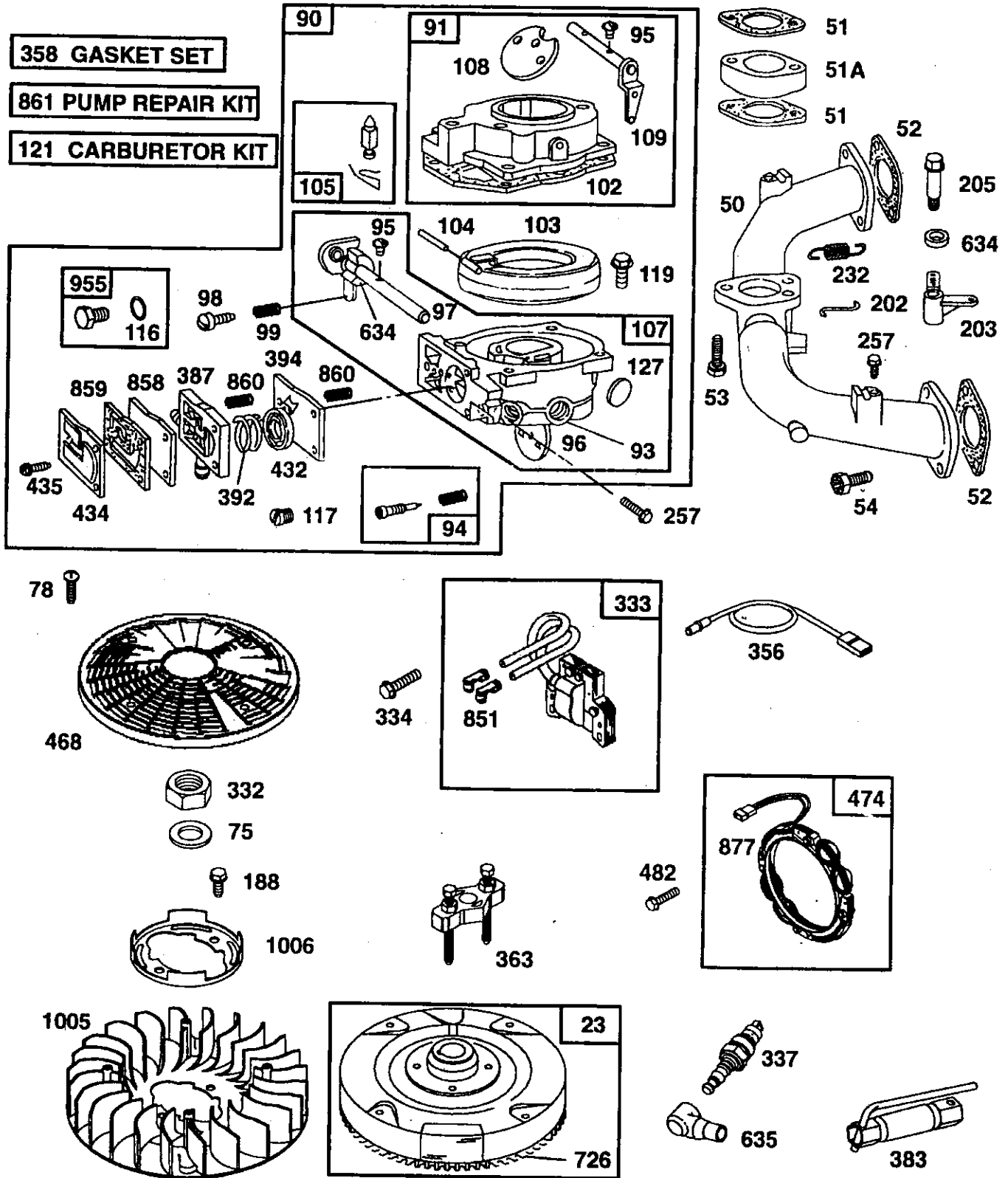
BRIGGS & STRATTON ENGINE - MODEL NUMBER 42A707, TYPE NUMBER 1624-01



# REPAIR PARTS

TRACTOR - - MODEL NUMBER 917.256370

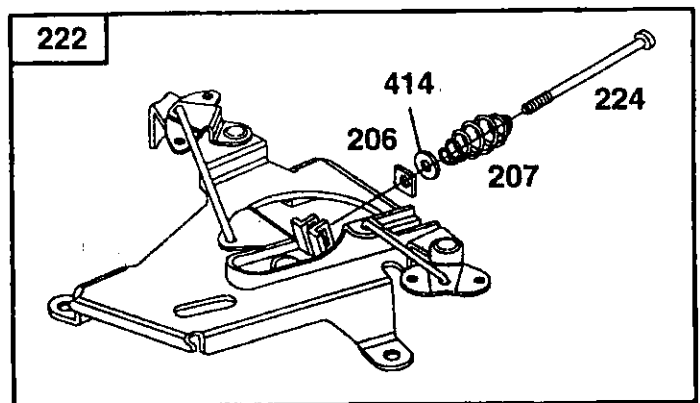
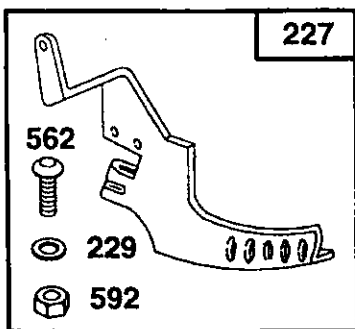
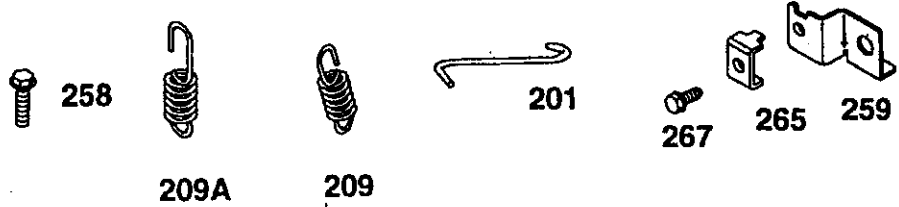
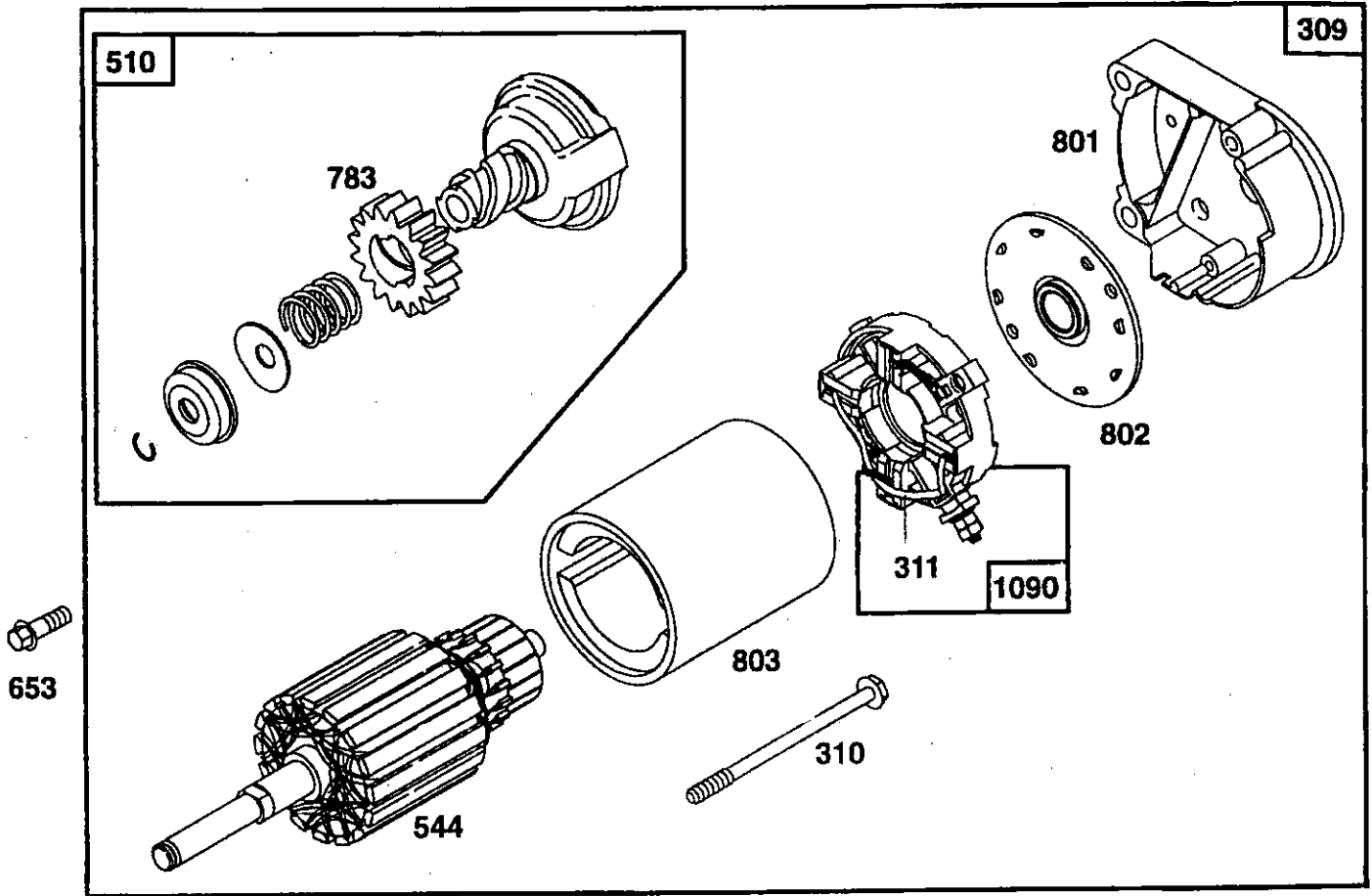
BRIGGS & STRATTON ENGINE - MODEL NUMBER 42A707, TYPE NUMBER 1624-01



# REPAIR PARTS

TRACTOR - - MODEL NUMBER 917.256370

BRIGGS & STRATTON ENGINE - MODEL NUMBER 42A707, TYPE NUMBER 1624-01

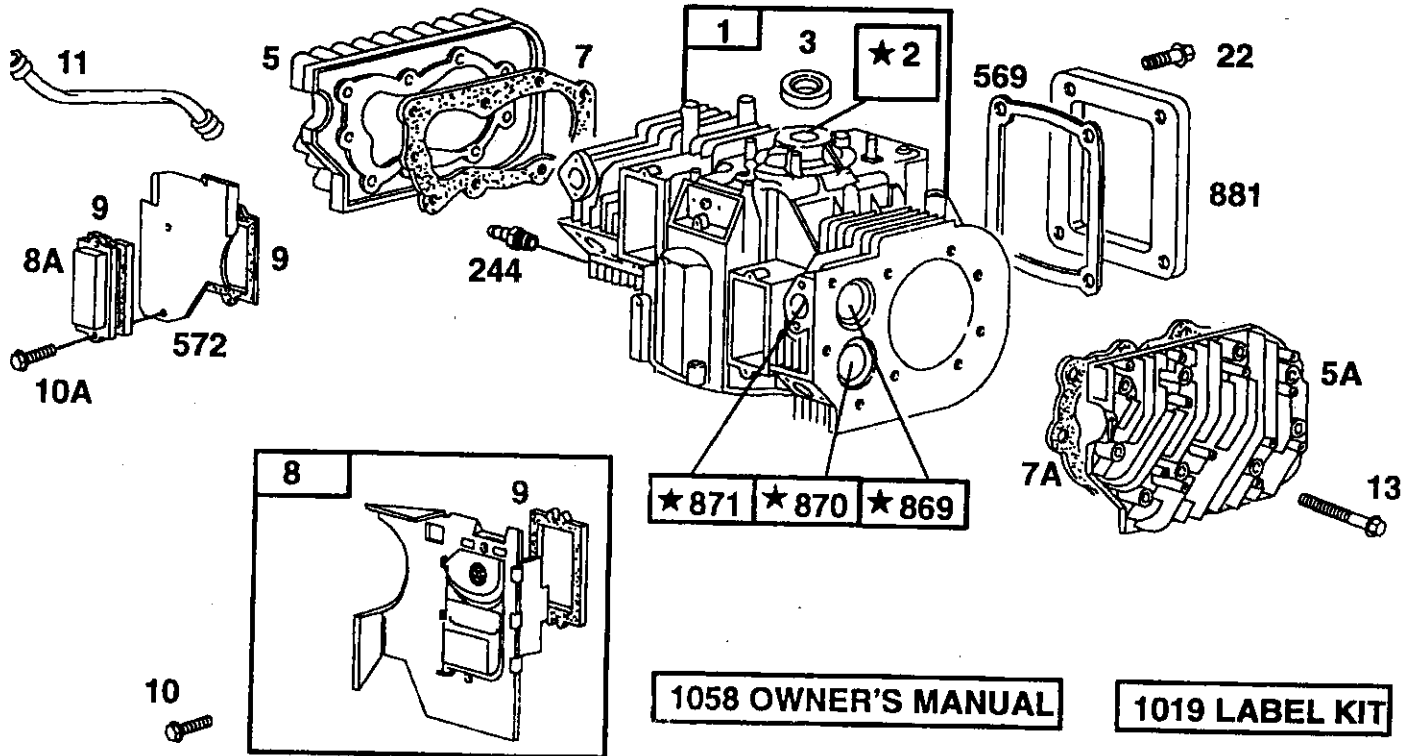




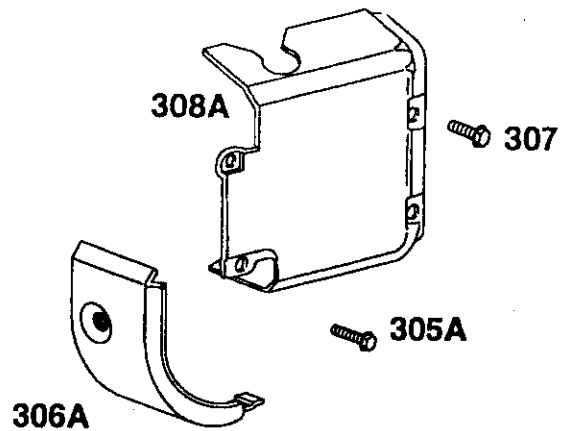
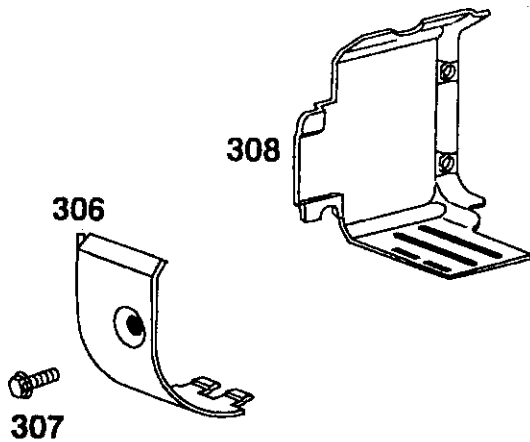
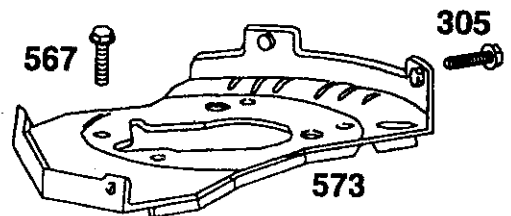
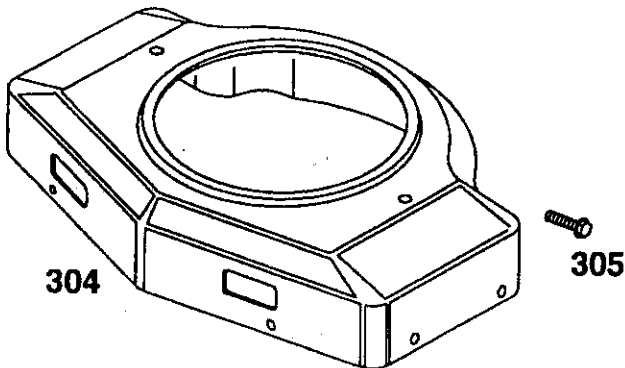
# REPAIR PARTS

TRACTOR - - MODEL NUMBER 917.256370

BRIGGS & STRATTON ENGINE - MODEL NUMBER 42A707, TYPE NUMBER 1624-01



★ REQUIRES SPECIAL TOOLS TO INSTALL. SEE REPAIR INSTRUCTION MANUAL.



# REPAIR PARTS

TRACTOR -- MODEL NUMBER 917.256370

BRIGGS & STRATTON ENGINE - MODEL NUMBER 42A707, TYPE NUMBER 1624-01

KEY PART NO.	NO.	DESCRIPTION	KEY PART NO.	NO.	DESCRIPTION
1	497074	Cylinder Assembly	54	94764	Screw, Sems
2	399265	Bushing	75	222511	Washer, Spring
3	391086	* Seal, Oil	78	94834	Screw, Sems
5	493457	Head, Cylinder #1	90	495181	Carburetor
5A	493458	Head, Cylinder #2	91	495035	Body Assembly, Upper
7	271867	* Gasket, Cylinder Head #1	93	231209	Bushing, Throttle Shaft
7A	271868	* Gasket, Cylinder Head #2	94	491538	** Valve, Idle Adjust
8	495754	Breather Assembly #1	95	93499	Screw, Sems
8A	222892	Cover, Breather Cylinder #2 (Used Only on Key #572, Air Baffle with Holes for Mounting)	96	221939	Valve, Throttle
			97	392672	Shaft, Throttle
			98	91920	Screw, Fillister Head
9	27803	* Gasket, Breather	99	26157	Spring, Throttle Adjust
10	94382	Screw, Sems	102	271607	** Gasket, Carburetor Body
10A	94830	Screw, Sems	103	298514	Float, Carburetor
11	280225	Tube, Breather	104	230896	** Pin, Float Hinge
12	271703	* Gasket, Crankcase, .015" Thick	105	394683	** Valve, Needle
	271188	* Gasket, Crankcase, .005" Thick	107	491543	Body Assembly, Lower
	271189	* Gasket, Crankcase, .009" Thick	108	223534	Valve, Choke
13	94565	Screw, Cylinder Head	109	392673	Shaft, Choke
15	94239	Plug, Oil Drain	116	280474	* O-Ring
16	394028	Crankshaft	117	231338	Jet, Needle Valve, Fixed
	94196	Timing Gear Key		231333	Jet, Needle Valve, Fixed, High Altitude
18	493304	Sump, Engine	119	94152	Screw, Hex Head
20	291675	* Seal, Oil	121	491539	Carburetor Kit
22	94724	Screw, Sems	127	223472	** Plug, Welch
23	491180	Flywheel	161	496599	Base, Air Cleaner
24	222698	Key, Flywheel	165	94289	Nut, Wing
25	394955	Piston Assembly, Standard Size	187	299146	Line, Fuel, 28" Long (Cut to Suit)
	394956	Piston Assembly, .010" Oversize	188	94627	Screw
	394957	Piston Assembly, .020" Oversize	201	262683	Link
	394958	Piston Assembly, .030" Oversize	202	262684	Link
26	394959	Ring Set, Standard Size	203	280997	Crank, Bell
	394960	Ring Set, .010" Oversize	205	93971	Screw, Hex Head
	394961	Ring Set, .020" Oversize	206	94298	Nut, Square
	394962	Ring Set, .030" Oversize	207	262337	Spring, Control Rod
27	260924	Lock, Piston Pin	209	262352	Spring, Governor
28	299691	Pin, Piston, Standard Size	209A	261563	Spring, Governor Idle
	391286	Pin, Piston, .005" Oversize	219	394348	Gear, Governor
29	394306	Rod, Connecting, Standard Size	219A	393415	Oil Slinger
	397158	Rod, Connecting, .020" Undersize	222	491282	Bracket, Control
32	94671	Screw, Connecting Rod	224	94297	Screw, Pan Head
33	390420	Valve, Exhaust	227	491297	Lever Assembly, Governor
34	261528	Valve, Intake			
35	65906	Spring, Valve, Intake			
36	26828	Spring, Valve, Exhaust			
40	221596	Retainer, Valve, Intake			
41	292260	Retainer, Valve, Exhaust			
42	94553	Keeper, Valve			
45	261368	Tappet, Valve			
46	213520	Gear, Cam			
50	213290	Manifold, Intake			
51	271412	**** Gasket, Carburetor Mounting			
51A	81411	Spacer, Carburetor			
52	270884	* Gasket, Intake Manifold Mounting			
53	93970	Screw, Hex Head, Carburetor to Manifold			

**NOTE:** All component dimensions given in U.S. inches  
1 inch = 25.4 mm

# REPAIR PARTS

## TRACTOR - - MODEL NUMBER 917.256370

### BRIGGS & STRATTON ENGINE - MODEL NUMBER 42A707, TYPE NUMBER 1624-01

KEY PART NO. NO.	DESCRIPTION	KEY PART NO. NO.	DESCRIPTION
230 223882	Washer, Governor Crank, Inside	569 272645	* Gasket, Base
235 224995	Shield, Fuel Spray	572 224816	Baffle, Air, Cylinder #2
240 394358	Filter, Fuel	573 491304	Plate, Back
244 230318	Connector, Fuel Line	592 92278	Nut, Hex.
257 93897	Screw, Sems	601 93053	Clamp, Hose
258 94623	Screw, Sems	615 94296	Retainer, E-Ring
259 223890	Bracket, Cable	616 491530	Crank, Governor
265 221535	Clamp, Casing	634 271013	** Washer, Throttle Shaft
267 94906	Screw, Sems	634A 491287	* Seal, Governor Shaft
284 94674	Screw, Hex Head	635 66538	Boot, Spark Plug
284A 94694	Screw, Hex Head	642 225008	Cover, Air Cleaner
304 495587	Housing, Blower, Red	643 496700	Plate, Air Cleaner
305 94786	Screw, Sems	653 93585	Screw, Hex Head
305A 93343	Screw, Sems	726 391362	Gear, Ring (Includes Mounting Parts)
306 222846	Shield, Cylinder	741 262989	Gear, Timing
306A 223734	Shield, Cylinder	783 280104	Gear, Starter
307 94386	Screw, Self-Tapping	801 394860	Cap, Drive
308 224774	Cover, Air Guide	802 497607	Cap, End
308A 224775	Cover, Air Guide	803 497604	Housing, Starter
309 497596	Motor, Starter	819 94675	Screw, Hex Head
310 94003	Bolt, Thru	842 270920	* Seal, Cap
311 497608	Brush Set	847 495715	Tube Assembly, Oil
332 230674	Nut, Hex	851 221798	Terminal, Cable
333 394891	Armature, Magneto	858 270989	*** Diaphragm, Carburetor
334 93381	Screw, Sems	859 271025	*** Gasket, Pump
337 802592	Plug, Spark	860 261358	*** Spring, Diaphragm
356 494705	Wire, Stop	861 393397	Repair Kit, Pump
358 491856	Gasket Set	868 497212	Seal, Valve
363 19203	Flywheel Puller	869 261463	Seat, Valve, Intake
383 89838	Wrench, Spark Plug	870 213316	Seat, Valve, Exhaust
387 280197	Body, Pump	871 261961	Bushing, Guide (Exhaust Only)
392 261395	*** Spring, Diaphragm	231218	Bushing, Guide (Intake, Brass)
394 270988	*** Diaphragm, Carburetor	877 393456	Wire, Alternator
414 220680	Washer	881 495901	Plate, Cover
422 222875	Bracket, Oil Fill	955 397882	Plug and Seal, Solenoid
432 221377	*** Cap, Spring	1005 281053	Fan, Flywheel
434 223688	Cover, Diaphragm	1006 224413	Retainer, Fan
435 93829	Screw, Diaphragm Cover	1019 496726	Label Kit
445 394019	Filter, Air	1058 272112	Owner's Manual
468 897908	Screen, Rotating	1090 497605	Retainer, Brush
474 393474	Alternator, Dual Circuit		
482 93621	Screw, Sems		
510 497606	Drive, Starter		
523 494947	Cap, Oil Fill		
524 271157	* Seal, Fill Tube		
525 495348	Tube, Oil Fill (Includes Seals)		
528 393815	Pipe, Fuel		
534 94823	Screw, Air Cleaner		
535 72490	Filter, Air		
537 271411	**** Gasket, Air Cleaner		
544 497603	Armature, Starter		
552 262332	Lower Bushing, Governor		
552A 262331	Upper Bushing, Governor		
556 93585	Screw, Hex Head		
562 93853	Bolt, Governor Lever		
567 94811	Screw, Hex Head, Back Plate to Cylinder		

RPM Settings: Low Speed: 1600-1800  
High Speed: 3200-3400

\* Included in Gasket Set (495868)

\*\* Included in Carburetor Kit (491539)

\*\*\* Included in Carburetor Kit (491539),  
and Pump Repair Kit (393397)

\*\*\*\* Included in Gasket Set (495868),  
and Carburetor Kit (491539)

**NOTE:** All component dimensions given in U.S. inches  
1 inch = 25.4 mm

**CRAFTSMAN®**