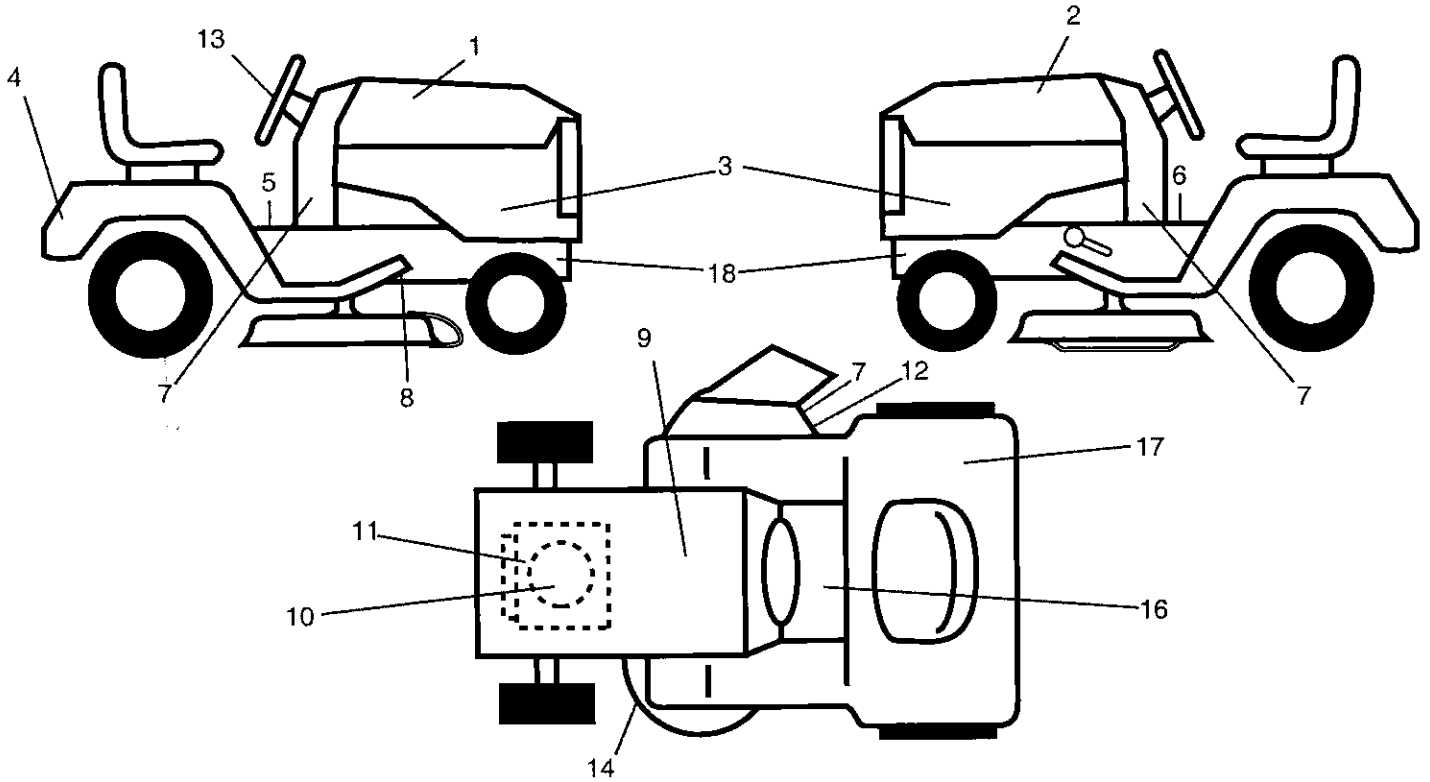


REPAIR PARTS MANUAL
MODEL NO. 256790
Lawn Tractor



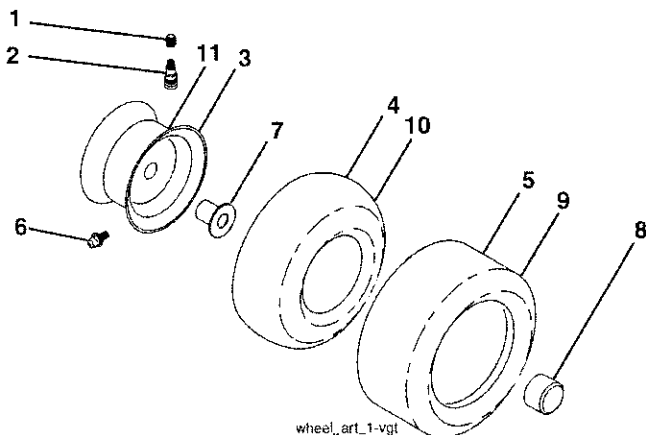
TRACTOR - - MODEL NUMBER 256790

DECALS



KEY NO.	PART NO.	DESCRIPTION	KEY NO.	PART NO.	DESCRIPTION
1	412262	Decal, Hood RH	14	160396	Decal, Mower Schematic
2	412263	Decal, Hood LH	16	400389	Decal, Warning Sym
3	412421	Decal, Side Panel	17	180432	Decal, Decal Fender DB/CE
4	411697	Decal, Fender	18	162598	Decal, Hot Muffler
5	140837	Decal, Saddle Brake Parking	--	162598	Decal, Load Limit
6	159737	Decal, Brake/Clutch	--	193227X428	Pad Footrest RH
7	182166	Decal, Cutfinger	--	193226X428	Pad Footrest LH
8	199135	Decal, V-Belt Schematic	--	166960	Decal, Bypass
9	145005	Decal, Battery Dnge/Poi	--	413123	Manual, Oper (Euro)
10	412580	Decal, Engine HP	--	413124	Manual, Oper (Scan)
11	196841	Decal, Warning Eng.	--	413125	Manual, Oper (Ebloc)
12	196357	Decal, Deflector Warning	--	413126	Manual, Oper (Baltic)
13	164065	Decal, Steering Wheel	--	413127	Manual, Parts

WHEELS & TIRES



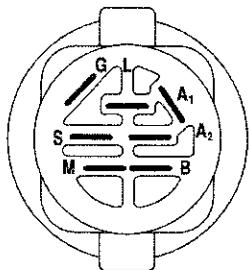
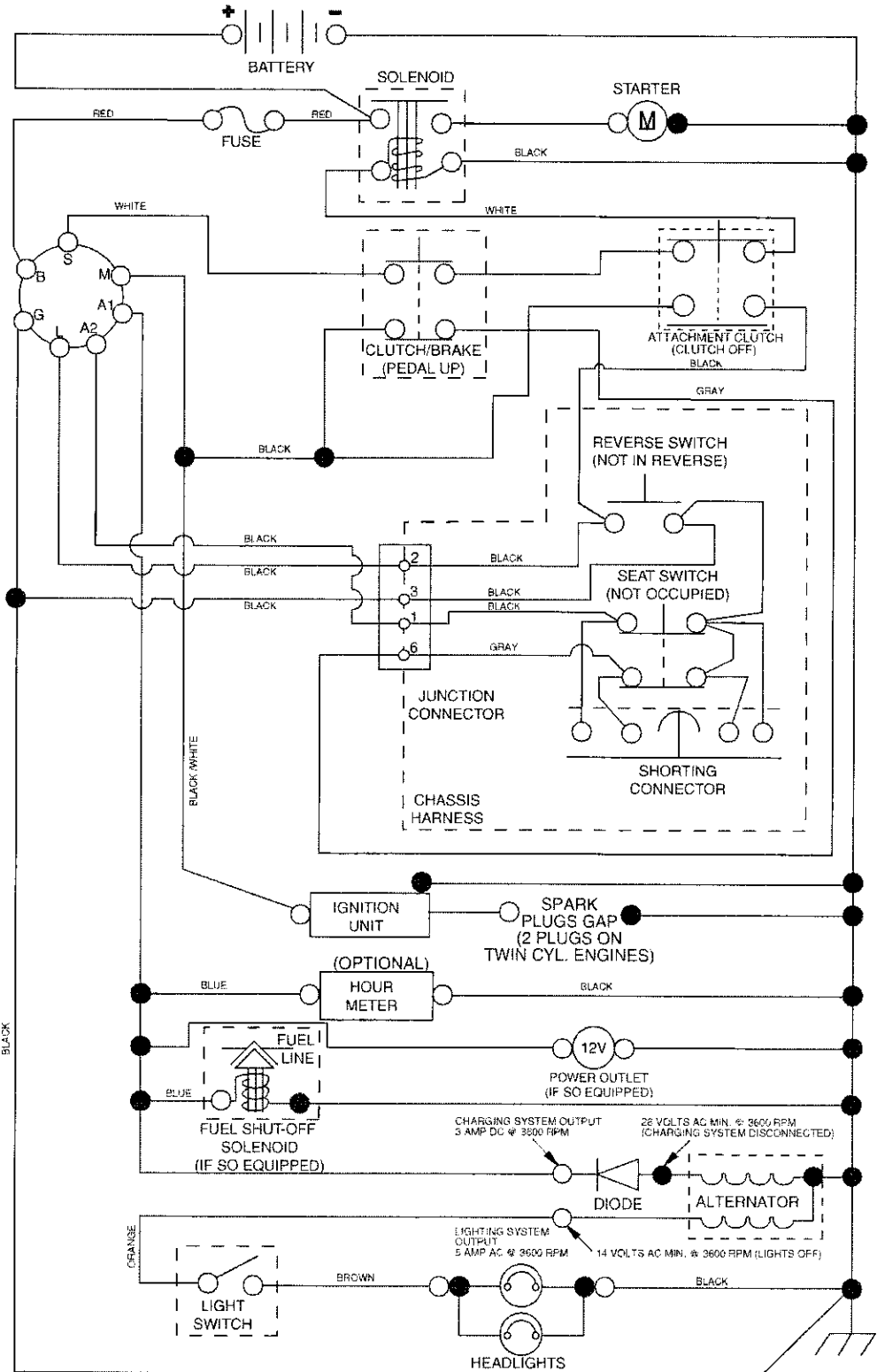
KEY NO.	PART NO.	DESCRIPTION
1	59192	Cap, Valve, Tire
2	65139	Stem, Valve
3	106732X624	Rim Assembly, Front
4	59904	Tube, Front
5	106222X	Tire, Front
6	278H	Fitting, Grease
7	9040H	Bearing, Flange
8	104757X428	Cap, Axle (Front Wheel Only)
9	138468	Tire, Rear
10	7152J	Tube, Rear
11	106108X624	Rim Assembly, Rear
--	144334	Sealant, Tire (10 oz. Tube)

NOTE: All component dimensions give in U.S. inches
1 inch = 25.4 mm

TRACTOR -- MODEL NUMBER 256790

SCHEMATIC

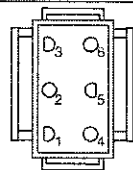
03094-194276_Manual-Tex



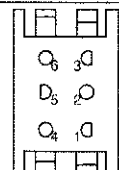
IGNITION SWITCH

POSITION	CIRCUIT "MAKE"
OFF	M+G+A1
RUN/OVERRIDE	B+A1
RUN	B+A1 L+A2
START	B + S + A1

03094



CHASSIS HARNESS CONNECTOR (MATING SIDE)



DASH HARNESS CONNECTOR (MATING SIDE)

WIRING INSULATED CLIPS

NOTE: IF WIRING INSULATED CLIPS WERE REMOVED FOR SERVICING OF UNIT, THEY SHOULD BE REPLACED TO PROPERLY SECURE YOUR WIRING.

● NON-REMOVABLE CONNECTIONS

○ REMOVABLE CONNECTIONS

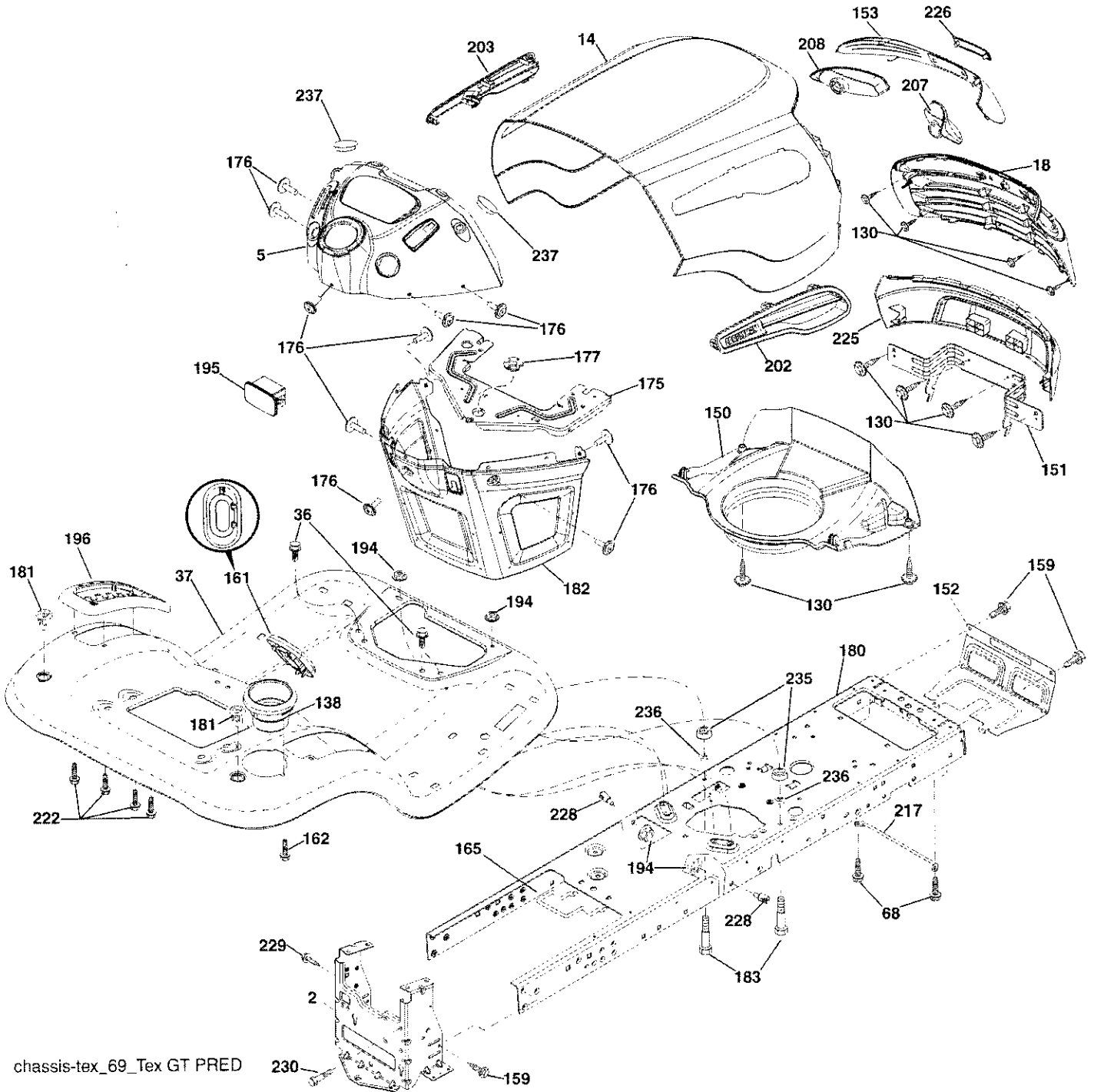
ELECTRICAL**TRACTOR - - MODEL NUMBER 256790**

KEY NO.	PART NO.	DESCRIPTION
1	144927	Battery
2	74760412	Bolt Hex Head 1/4-20 x 3/4
8	186491	Box Battery
16	176138	Switch Interlock Push-In
21	400252	Harness Socket Light W/4152J
24	198893	Cable Battery
25	400253	Cable Battery
26	175158	Fuse
27	STD541425	Nut Keps Hex 1/4-20 unc
28	145491	Cable, Ground
29	401545	Switch, Seat
30	193350	Switch, Ignition
33	140403	Key, Ignition
34	110712X	Switch Light / Reset
40	401098	Harness Ignition Dash
41	17720408	Screw Thd Cut 1/4-20 x 1/2
42	131563	Cover, Terminal
43	192507	Solenoid
55	17060512	Screw Thdrol 5/16-18 x 3/4
71	194276	Harness Ignition
90	400724	Cover Terminal Battery
91	190270	Strap Battery
92	196615	Harness Pigtail
93	192540	Screw Plastite 10-14 x 2.0
94	191834	Module Reverse ROS
99	17670412	Screw 1/4-20 x 7/8 x 16 Ga.
100	19091416	Washer 9/32 x 7/8 x 16 Ga.

NOTE: All component dimensions give in U.S. inches
1 inch = 25.4 mm

TRACTOR -- MODEL NUMBER 256790

CHASSIS AND ENCLOSURES



chassis-tex_69_Tex GT PRED

TRACTOR - - MODEL NUMBER 256790

CHASSIS AND ENCLOSURES

KEY NO.	PART NO.	DESCRIPTION	KEY NO.	PART NO.	DESCRIPTION
2	194263	Drawbar	194	73900500	Nut Lock Hex Flange 5/16-18
5	199674X428	Dash	195	404951X428	Plug Dash SRVMNDR
14	404654X612	Hood	196	196378X428	Console Asm. Deck Lift
18	405013	Grille	202	198968X428	Vent Side Hood RH
36	17060512	Screw 5/16-18m x 3/4	203	198969X428	Vent Side Hood LH
37	193217X612	Fender	207	198963	Bezel RH
68	17490508	Screw THDROL 5/16-18 x 1/2	208	198964	Bezel LH
130	191611	Screw 10 x 3/4 Single Lead-Hex	217	409167	Rod Pivot Chassis
138	193224X428	Cupholder	222	137729	Screw thd Roll 1/4-20 x 5/8
150	199411	Duct Heat Hood	225	198962X612	Bumper
151	196332	Bracket Pivot	226	198967X428	Logo
152	194329	Shield Browning/Debris	228	195161	Stud Fastener
153	198965	Lens	230	170165	Bolt Shoulder 5/16-18
159	17000612	Screw Hexwsh Thdrol 3/8-16 x 3/4	235	406129	Spacer Fender
161	193229X428	Window fuel	236	73930500	Nut Centerlock 5/16-18 UNC
162	142432	Screw Hex Wsh Hi-lo 1/4 x 1/2 unc	237	403704	Plug Mount Cargo
165	194330	Support Tank Rear	--	401556X428	Plug Hole Dash Lower12 Volt
175	196304	Crossmember	--	199783X428	Phone Holder
176	400776	Screw 10-24 x 5/8 Wshd Qdrx			
177	195227	Bushing Steering			
180	194260	Chassis			
181	193102X428	Bushing Mtg. Fender Crgo.			
182	194787	Dash Lower			
183	STD523112	Bolt Fin Hex 5/16-18 x 1-1/4			
189	17000512	Screw 5/16-18 x 3/4			

NOTE: All component dimensions give in U.S. inches
1 inch = 25.4 mm

TRACTOR - - MODEL NUMBER 256790

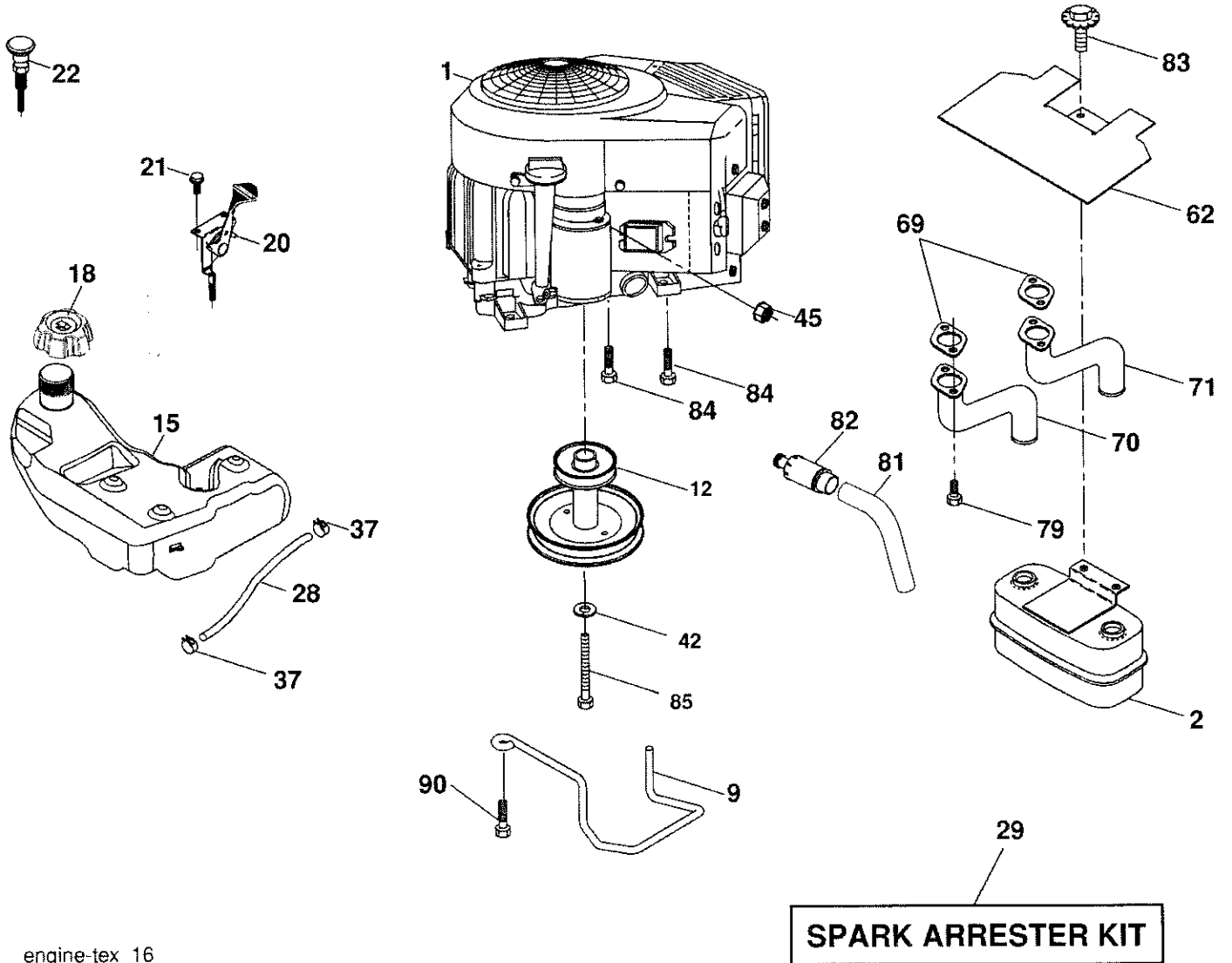
GROUND DRIVE

KEY NO.	PART NO.	DESCRIPTION	KEY NO.	PART NO.	DESCRIPTION
1	-----	Transaxle, TUFFTORQ K46 (Internal parts not available)	166	197290	Nut Push
2	123583X	Key	167	405257	Latch Brake Parking
15	19131316	Washer 13/32 x 13/16 x 16 Ga.	170	194322	Keeper Belt Centerspan
17	401072	Spring, Brake	171	72110616	Bolt RDHD SQNK 3/8-16UNC x 2
22	197660	Rod Shift	174	197289	Nut Push
23	140485	Knob	175	406208	Shaft Asm Shift
29	403806	Rod, Brake	176	196214	Arm Clevis Rod Shift
33	12000001	Ring E	178	197456	Spring Shift
35	199591	Rod, Brake, Park	183	137057	Spacer Split
42	8883R	Cover, Foot Pedal	184	196439X505	Handle Parking Brake
49	72110614	Bolt	185	72110620	Bolt Rdhd Sqnk 3/8-16 x 2-1/2
50	194327	Pulley Idler Flat	186	194321	Spacer Retainer
51	73900600	Lock Nut 3/8-16	187	19133210	Washer
52	194326	Idler V-Groove 910" Offset	188	194323	Link Clutch Ground Drive
56	130969	V-Belt, Drive	189	194317	Bellcrank Ground Drive
64	196200	Shaft Asm. Pedal Brake Control	190	194318	Keeper Bellcrank Ground Drive
70	193220X428	Console	205	121748X	Washer
73	74490544	Bolt Hex Flghd 5/16-18 Gr. 5	211	196212	Bushing Brake Shaft
74	142432	Screw 1/4 x 1/2	221	403187	Retainer Spring Clip Handle
80	412170	Strap Torque	225	403319	Keeper Belt Trans.
99	405903	Rod Bypass	226	401564	Bracket Mount Touque
116	73900500	Nut Lock Hex Flange 5/16-18	230	188967	Washer Hardened
125	17000512	Screw 5/16-18 x 3/4	233	405296	Washer Serrated
153	4497H	Retainer Spring	276	74780716	Bolt 7/16-14 x 1 Gr. 5
159	76020412	Pin Cotter 1/8 x 3/4	279	406207	Link Shift
160	169484	Retainer Clip			
161	195403	Spring, Return, Clutch			

NOTE: All component dimensions give in U.S. inches
1 inch = 25.4 mm

TRACTOR -- MODEL NUMBER 256790

ENGINE



engine-tex_16

TRACTOR - - MODEL NUMBER 256790

ENGINE

KEY NO.	PART NO.	DESCRIPTION
1	-----	Engine Briggs Model No. 441777-0883-E1 (See Breakdown)
2	149723	Muffler
9	194320	Keeper Belt Engine
12	405471	Pulley Engine
15	400021	Tank Fuel
18	195951	Cap Asm
20	175437X428	Control Throttle
21	191611	Screw 10 x 3/4 Single Lead-Hex
22	187767X428	Control Choke
28	8543R	Fuel Line
29	137180	Spark Arrester Kit
37	123487X	Clamp Hose
42	STD551143	Washer Lock 7/16
45	STD541425	Nut Keps Hex 1/4-20 unc
62	146629	Shield Heat Muffler
69	165391	Gasket
70	159955	Exhaust Tube LH
71	160589	Exhaust Tube RH
79	183906	Screw 5/16-18 x 1
81	148456	Tube Drain Oil Easy
82	181654	Plug Drain Oil
83	171877	Bolt 5/16-18 unc x 3/4 w/Sems
84	17060620	Screw 3/8-16 x 1-1/4
85	173937	Bolt 7/16-20 x 4 x Gr. 5-1.5
90	17000616	Screw 3/8-16 x 1

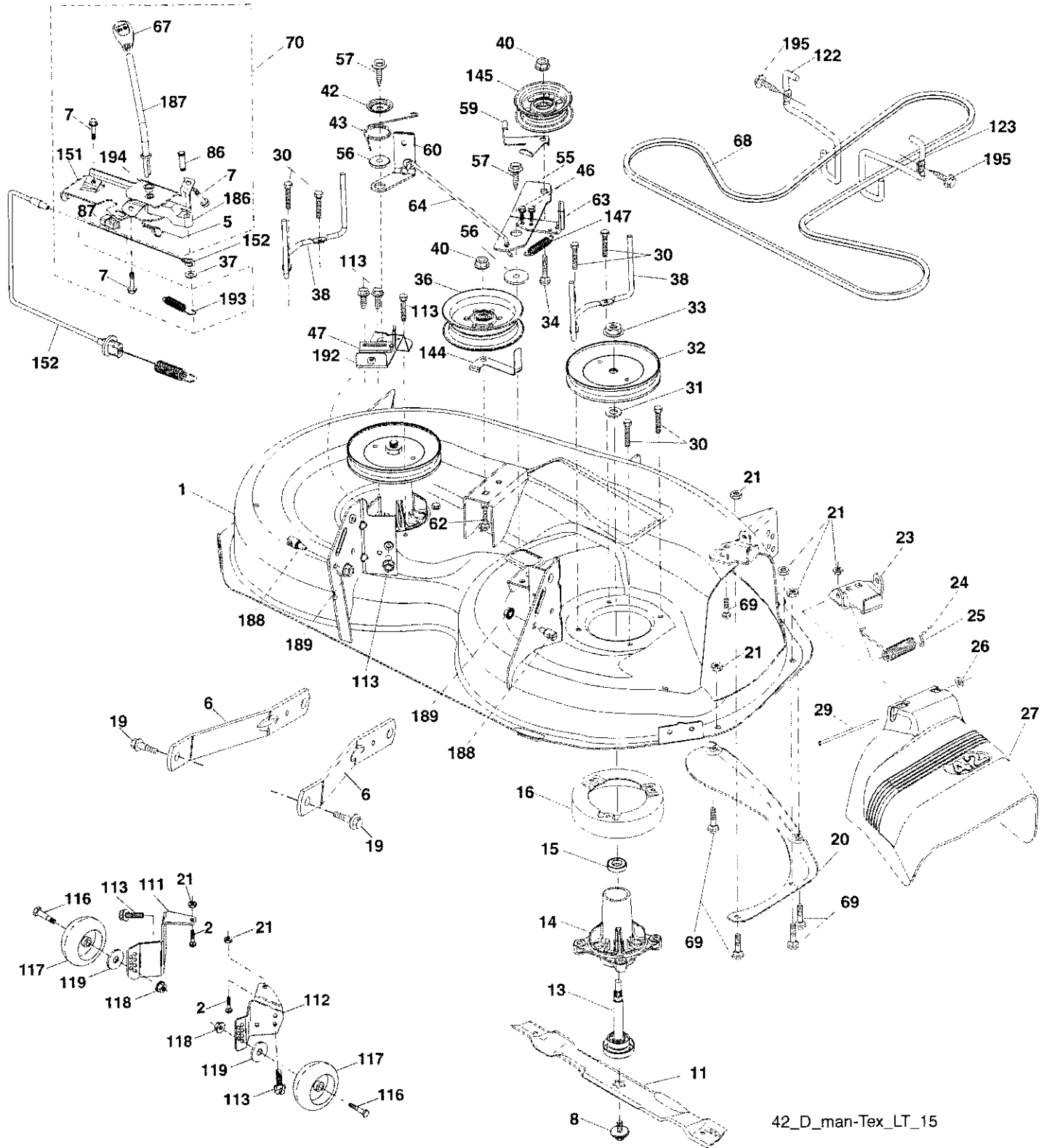
NOTE: All component dimensions give in U.S. inches
1 inch = 25.4 mm

Engine Power Rating Information

The gross power rating for individual gas engine models is labeled in accordance with SAE (Society of Automotive Engineers) code J11940 (Small Engine Power & Torque Rating Procedure), and rating performance has been obtained and corrected in accordance with SAE J1995 (Revision 2002-5). Actual gross engine power will be lower and is affected by, among other things, ambient operating conditions and engine-to-engine variability. Given both the wide array of products on which engines are placed and the variety of environmental issues applicable to operating the equipment, the gas engine will not develop the rated gross power when used in a given piece of power equipment (actual "on-site" or net horsepower). This difference is due to a variety of factors including, but not limited to, accessories (air cleaner, exhaust, charging, cooling, carburetor, fuel pump, etc.), application limitations, ambient operating conditions (temperature, humidity, altitude), and engine-to-engine variability. Due to manufacturing and capacity limitations, Briggs & Stratton may substitute an engine of higher rated power for this Series engine.

TRACTOR -- MODEL NUMBER 256790

MOWER DECK



42_D_man-Tex_LT_15

TRACTOR - - MODEL NUMBER 256790

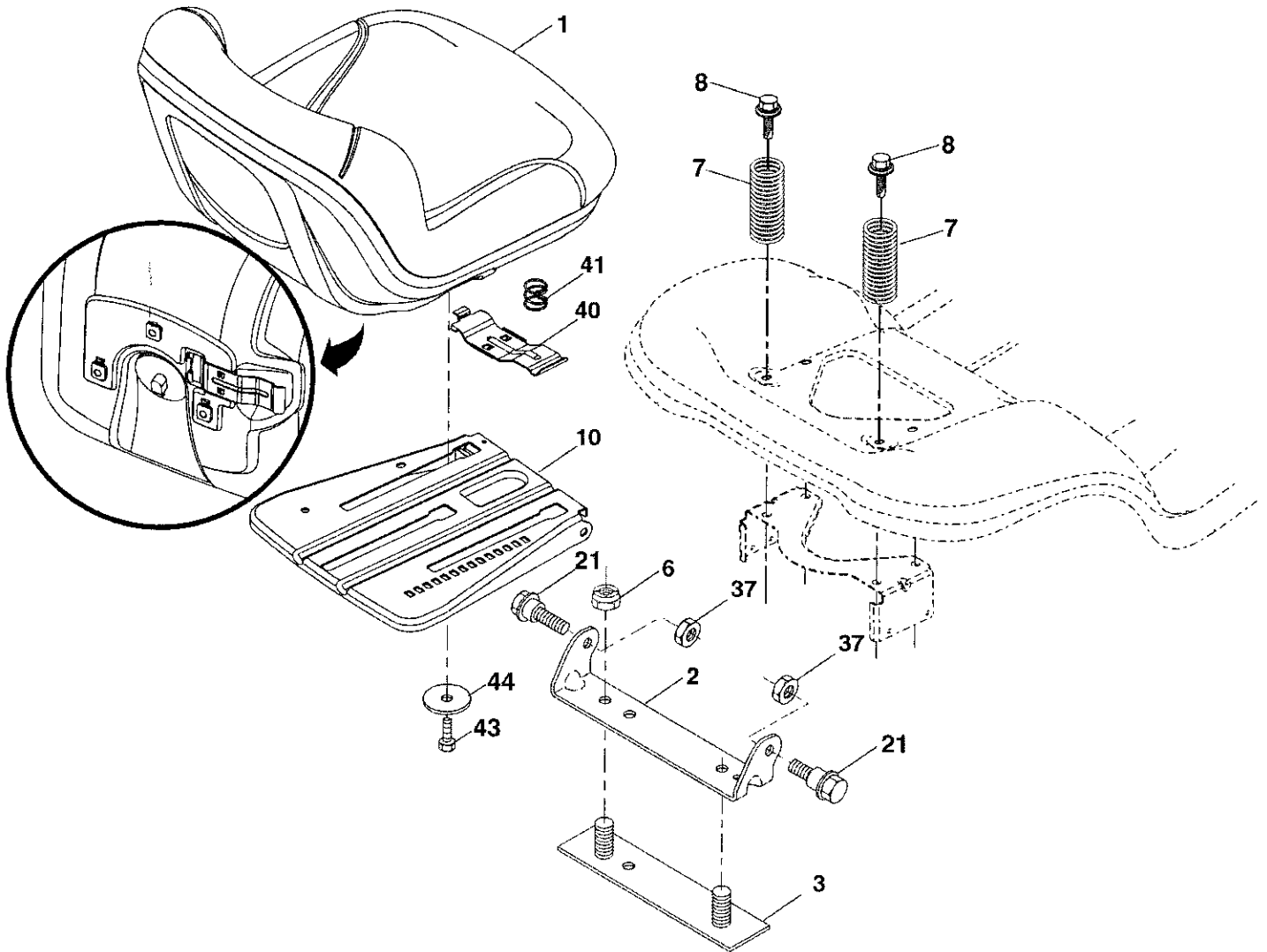
MOWER DECK

KEY NO.	PART NO.	DESCRIPTION	KEY NO.	PART NO.	DESCRIPTION
1	196495	Deck Weldment Mower	62	72110616	Bolt Rd Hd Sq Nk 3/8-16 unc x 2
2	72140506	Bolt 5/16-18 x 3/4	63	199477	Arm Brake Mower
5	4939M	Retainer Spring	64	199790	Link Brake Asm
6	195186	Arm Suspension	67	198398X428	Handle Clutch Cable
7	191611	Screw 10 x 3/4 Single Lead Hex	68	197253	V-Belt
8	193003	Bolt/Washer asm 7/16-20 unf	69	STD533106	Bolt RDHD SQNK 5/16-18 x 5/8
11	134149	Blade	70	199972	Clutch Asm Manual
13	192872	Shaft Assembly, Mandrel	86	197798	Pin Attachment Clutch
14	187281	Housing, Mandrel	87	197802	Switch Cable Clutch
15	110485X	Bearing, Ball, Mandrel	111	404784	Bracket Wheel Gauge LH
16	174493	Stripper, Mower Deck	112	404785	Bracket Wheel Gauge RH
19	196539	Bolt, Shoulder	113	17000510	Bolt 5/16-18
20	159770	Baffle, Vortex	116	4898H	Bolt, Shoulder
21	STD541431	Nut, Crownlock 5/16-18 unc	117	188606	Wheel, Gauge
23	192557	Bracket, Deflector	118	73930600	Nut, Lock 3/8-16
24	105304X	Cap, Sleeve	119	19121414	Washer 3/8 x 7/8 x 14 Ga.
25	197026	Spring, Torsion, Deflector	122	197258	Keeper Belt Engine LH
26	110452X	Nut, Push	123	197259	Keeper Belt Engine RH
27	193108X428	Shield, Deflector	144	199204	Keeper Belt
29	131491	Rod, Hinge	145	193197	Pulley Idler Primary
30	173984	Screw Thdrol Rolling Wsh Hd	147	401971	Spring Return
31	187690	Washer, Spacer	151	199971	Bracket Clutch Cable
32	197473	Pulley, Mandrel	152	408714	Manual Clutch Cable
33	400234	Nut, Toplock, Flanged	186	197799	Arm Actuator
34	72110612	Bolt Carr Sh. 3/8-16 x 1-1/2 Gr. 5	187	199869	Lever Control
36	197379	Pulley, Idler, 4.50	188	195161	Stud Fastener
37	STD551037	Washer	189	73900500	Nut Lock Hex Flange
38	199189	Keeper Belt LH Mandrel	192	197260	Bracket Brake Stand LH
40	73900600	Nut, Lock Flg. 3/8-16 unc	193	197801	Spring Plunger Actuator
42	198410	Spring Torsion Brake	194	197797	Bearing Control Lever
43	197256	Spring Torsion Retainer	195	17000612	Screw Hex Wsh Thdr 3/8-16 x 3/4
46	137729	Screw Thd Roll 1/4-20 x 5/8	--	192870	Mandrel Assembly (Includes housing, shaft and shaft hardware only-pulley not included)
47	197250	Bracket Clutch Cable	--	405094	Replacement Mower, Complete
55	197249	Arm, Idler			
56	199092	Spacer, Retainer			
57	17000616	Screw 3/8-16 x 1			
59	141043	Guard, Tuv Idler			
60	197261	Arm Brake Mower			

NOTE: All component dimensions give in U.S. inches
1 inch = 25.4 mm

TRACTOR - - MODEL NUMBER 256790

SEAT ASSEMBLY



seat-tex_7-vgt

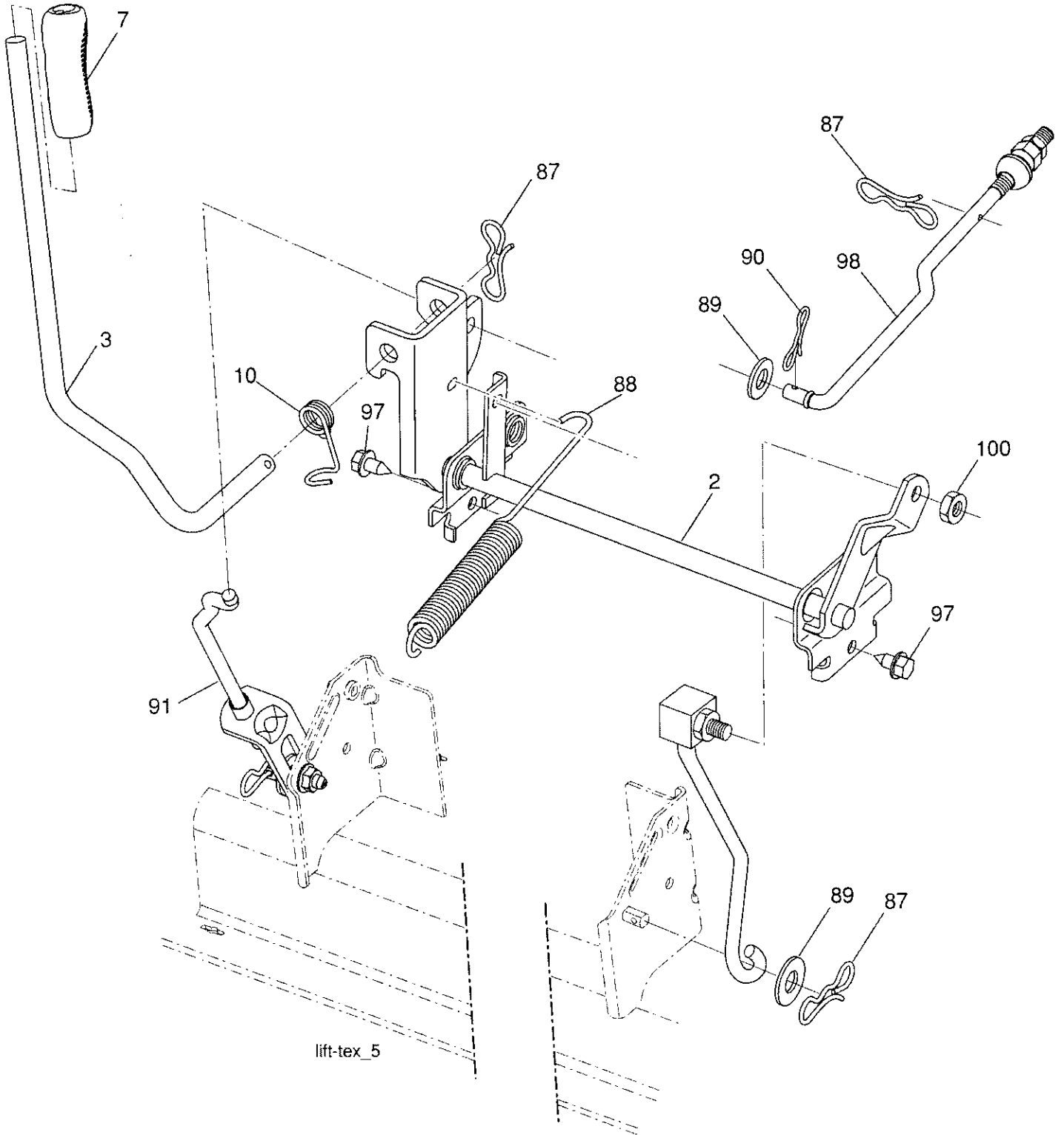
KEY NO.	PART NO.	DESCRIPTION
1	406627	Seat
2	180166	Bracket Pivot Fender
3	140675	Strap, Asm Fender
6	73800600	Nut, Lock W/Ins. 3/8-16 unc
7	124181X	Spring, Seat Cprsn
8	171877	Bolt 5/16-18 uncx 3/4 w/Sems
10	196977	Pan, Seat
21	171852	Bolt, Shoulder 5/16-18

KEY NO.	PART NO.	DESCRIPTION
37	73800500	Nut, Lock 5/16-18 unc
40	197661	Handle Slide Seat
41	198200	Spring Latch Seat
43	74760612	Bolt Fin Hex 3/8-16 unc x 3/4
44	19133812	Washer 13/32 x 2-3/8 x 12 Ga.

NOTE: All component dimensions give in U.S. inches
1 inch = 25.4 mm

TRACTOR - - MODEL NUMBER 256790

LIFT ASSEMBLY



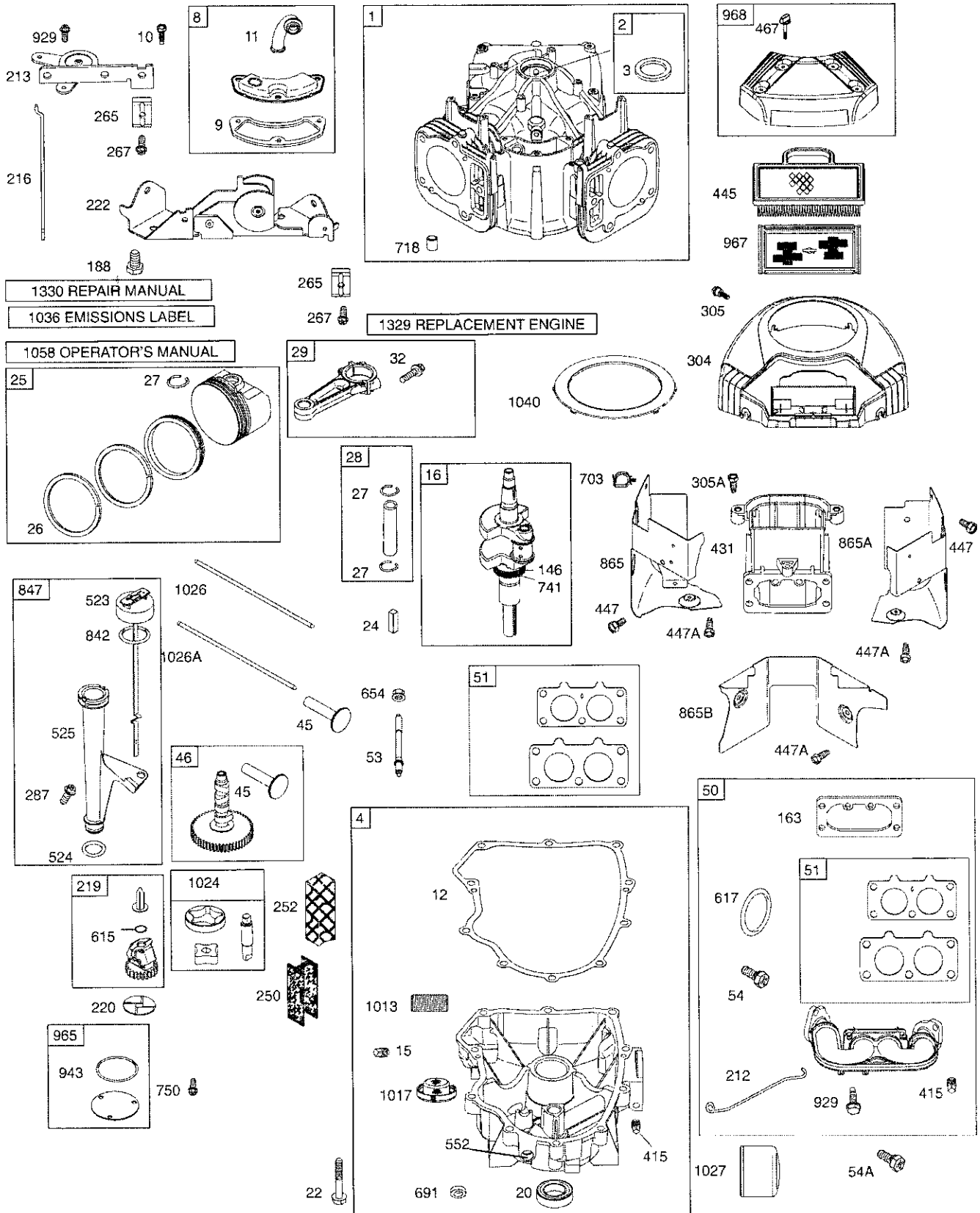
TRACTOR - - MODEL NUMBER 256790

LIFT ASSEMBLY

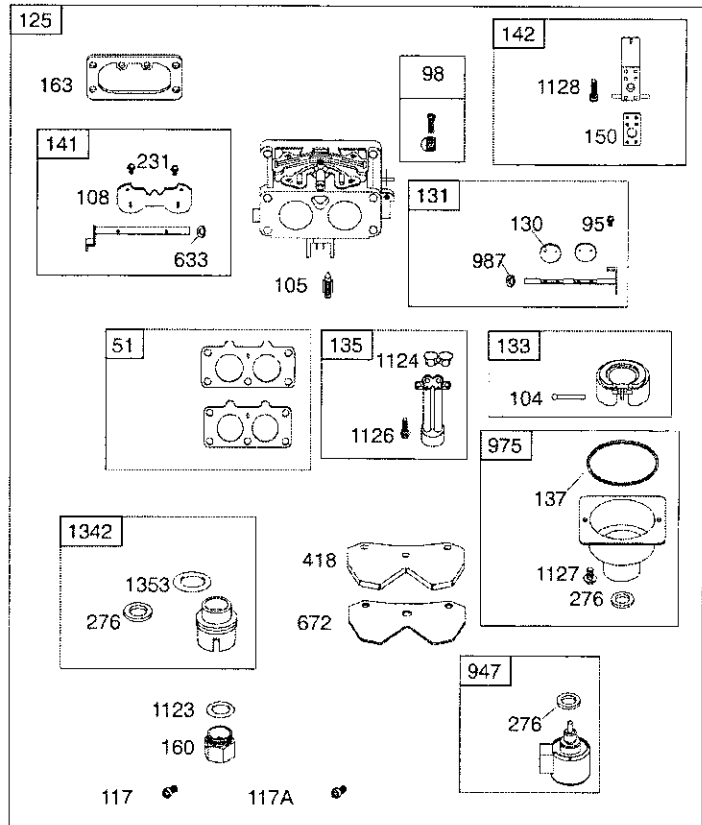
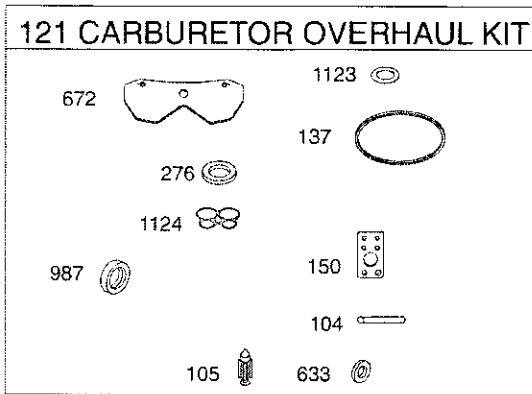
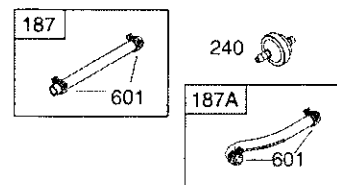
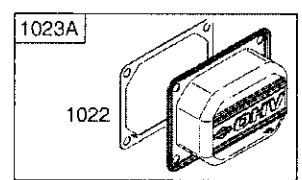
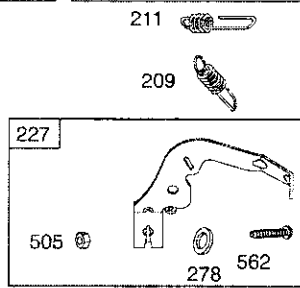
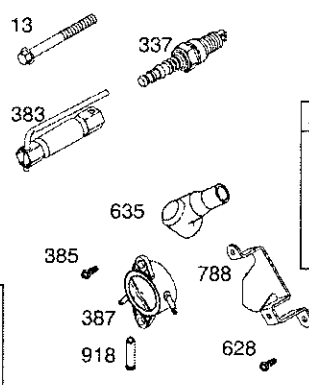
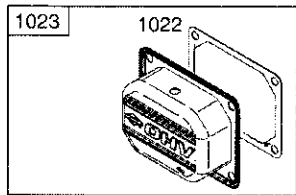
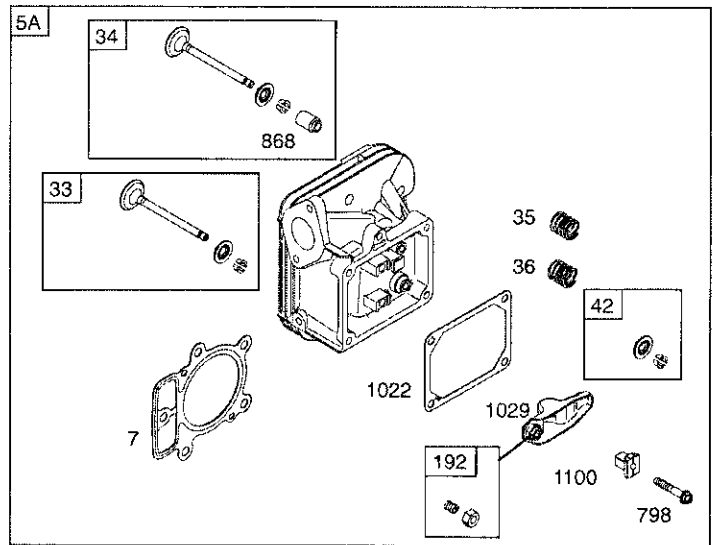
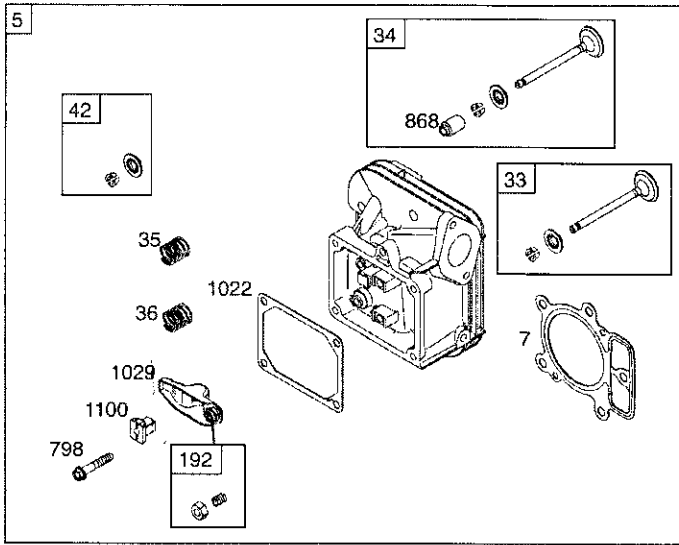
KEY NO.	PART NO.	DESCRIPTION
2	195223	Shaft Asm., Lift
3	195231	Lever Asm., Lift Rh
7	196492X428	Grip, Lever
10	196314	Spring Torsion
87	194209	Pin Cotter 7/16 Bow Tie Lock
88	410710	Spring Lift Assist
89	19191912	Washer Clear Zinc
90	194208	Pin Cotter 5/16 Bow Tie Lock
91	195181	Link Asm. Lift Rear
97	17000612	Screw 3/8-16 x .75 Smgml Tap/R.Z
98	195270	Link Lift Susp. Front Mower
100	73930600	Nut Centerlock 3/8-16 UNC

NOTE: All component dimensions give in U.S. inches
1 inch = 25.4 mm

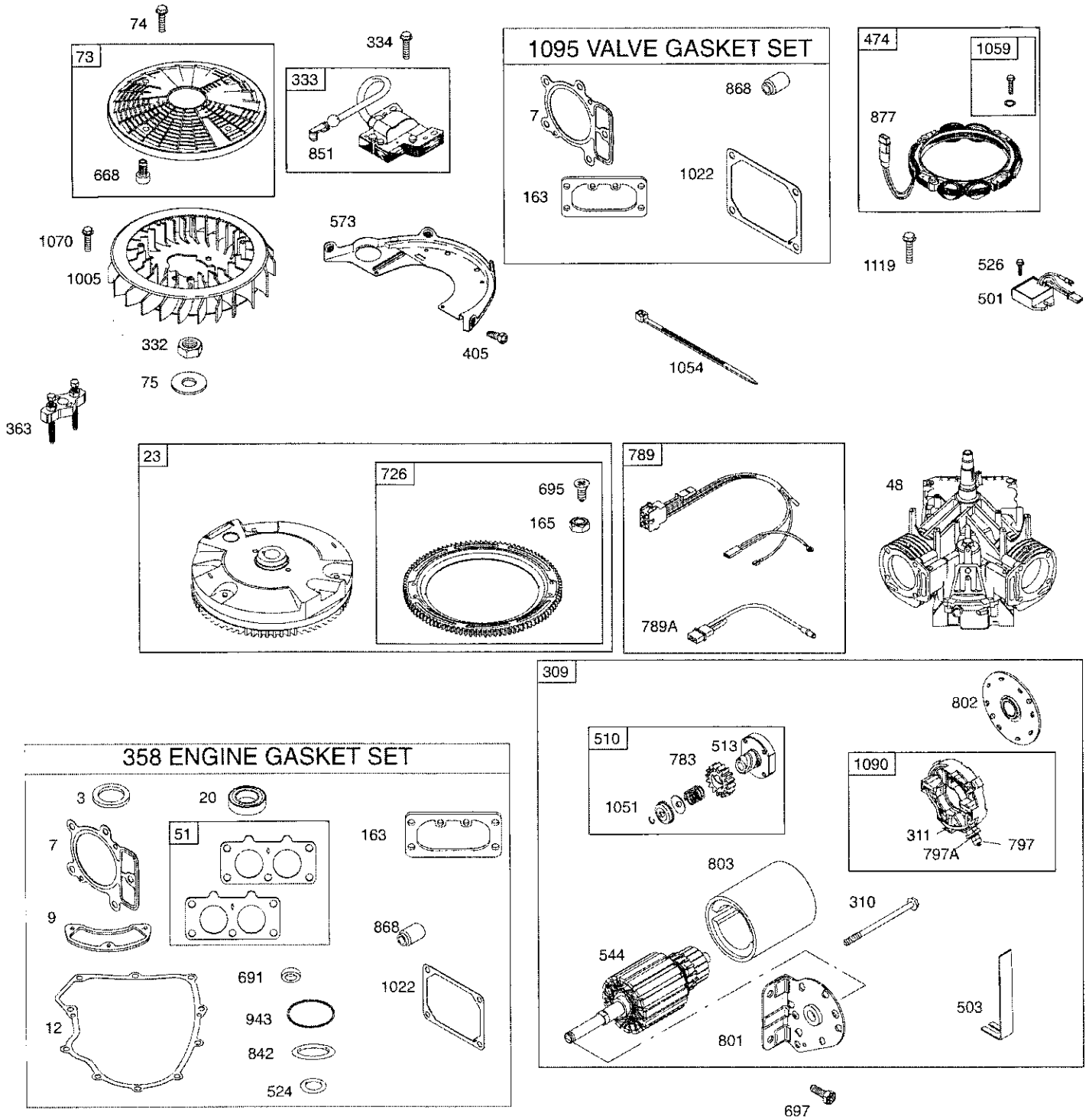
**TRACTOR - - MODEL NUMBER 256790
BRIGGS ENGINE-MODEL NUMBER 441777, TYPE NUMBER 0883-E1**



**TRACTOR - - MODEL NUMBER 256790
BRIGGS ENGINE-MODEL NUMBER 441777, TYPE NUMBER 0883-E1**



**TRACTOR - - MODEL NUMBER 256790
BRIGGS ENGINE-MODEL NUMBER 441777, TYPE NUMBER 0883-E1**



**TRACTOR - - MODEL NUMBER 256790
BRIGGS ENGINE-MODEL NUMBER 441777, TYPE NUMBER 0883-E1**

KEY NO.	PART NO.	DESCRIPTION	KEY NO.	PART NO.	DESCRIPTION
1	699753	Cylinder Assembly	142	699726	Nozzle-Carburetor
2	499585	Kit-Bushing/Seal (Magneto Side)	146	690979	Key-Timing
3	391086s	• Seal-Oil (Magneto Side)	150	690995	∅ Gasket-Nozzle
4	699747	Sump-Engine	160	699727	Retainer-Solenoid
5	792299	Head-Cylinder (Cylinder 1)	163	691001	+ Gasket-Air Cleaner
5A	792300	Head-Cylinder (Cylinder 2)	165	693148	Nut (Ring Gear)
7	693997	•+ Gasket-Cylinder Head	187	791766	Line-Fuel (Cut to Required Length)
8	792185	Breather Assembly	187A	791744	Line-Fuel (Molded)
9	690937	• Gasket-Breather	188	691108	Screw (Control Bracket)
10	691108	Screw (Breather Assembly)	192	690083	Adjuster-Rocker Arm
11	792184	Tube-Breather	209	793340	Spring-Governor
12	697227	• Gasket-Crankcase	211	691019	Spring-Governed Idle
13	791130	Screw (Cylinder Head)	212	695238	Link-Throttle
15	690946	Plug-Oil Drain	213	691021	Bracket-Choke Control
16	699700	Crankshaft	216	691022	Link-Choke
20	791892	• Seal-Oil (PTO Side)	219	793338	Gear-Governor
22	694966	Screw (Engine Sump)	220	690412	Washer (Governor Lever)
23	691054	Flywheel	222	698757	Bracket-Control
24	222698s	Key-Flywheel	227	792492	Lever-Governor Control
25	792023	Piston Assembly (Standard)	231	690718	Screw (Choke Valve)
25	792072	Piston Assembly (.020" Oversize)	240	691035	Filter-Fuel
26	792026	Ring Set (Standard)	250	690957	Retainer-Breather
26	792073	Ring Set (.020" Oversize)	252	690956	Collector-Oil
27	690975	Lock-Piston Pin	265	691024	Clamp-Casing
28	690229	Pin-Piston	267	695134	Screw (Casing Clamp)
29	699699	Rod-Connecting	276	690997	∅ Washer-Sealing
32	690976	Screw (Connecting Rod)	287	691108	Screw (Dipstick Tube)
33	499596	Valve-Exhaust	304	791243	Housing-Blower
34	792200	Valve-Intake	305	691005	Screw (Blower Housing)
35	694865	Spring-Valve (Intake)	305A	790690	Screw (Blower Housing)
36	694865	Spring-Valve (Exhaust)	309	497595	Motor-Starter
42	499586	Keeper-Valve	310	690323	Bolt-Starter Motor
45	690977	Tappet-Valve	311	497608	Brush Set
46	790562	Camshaft	332	691059	Nut (Flywheel)
48	698172	Short Block	333	691060	Armature-Magneto
50	695241	Manifold-Intake	334	691061	Screw (Magneto Armature)
51	791677	• Gasket-Intake	337	691043	Plug-Spark
53	690951	Stud (Carburetor)	358	694012	Set-Engine Gasket
54	699816	Screw (Intake Manifold)	363	19203	Flywheel Puller
73	499439	Screen-Rotating	383	19374s	Wrench-Spark Plug
74	698425	Screw (Rotating Screen)	385	691108	Screw (Fuel Pump)
75	691056	Washer (Flywheel)	387	808656	Pump-Fuel
95	690718	Screw (Throttle Valve)	404	690442	Washer (Governor Crank)
98	699721	Kit-Idle Speed	405	697820	Screw (Back Plate)
104	694918	∅ Pin-Float Hinge	415	690283	Plug
105	698537	∅ Valve-Float Needle	418	690999	Plate-Carburetor
108	699723	Valve-Choke	431	790816	Elbow-Intake
117	699732	Jet-Main (Standard)	445	499486s	Filter-Air Cleaner Cartridge
117A	699733	Jet-Main (Standard)	447	691003	Screw (Air Guide Cover)
118	699733	Jet-Main (High Altitude)(Left)	447A	691108	Screw (Air Guide Cover)
118A	699458	Jet-Main (High Altitude (Right))	467	691008	Knob-Air Cleaner
121	792455	Kit-Carburetor Overhaul	474	696459	Alternator
125	699709	Carburetor	501	691185	Regulator
127	698810	Plug-Weich	503	691532	Strap-Ground
130	690993	Valve-Throttle	505	691029	Nut (Governor Control Lever)
131	499805	Kit-Throttle Shaft	510	696541	Drive-Starter
133	699724	Float-Carburetor	513	692024	Clutch-Drive
135	699729	Tube-Fuel Transfer	523	691036	Dipstick
137	690994	∅ Gasket-Float Bowl	524	691032	• Seal-Dipstick Tube
141	699722	Kit-Choke Shaft	525	691037	Tube-Dipstick

TRACTOR - - MODEL NUMBER 256790
BRIGGS ENGINE-MODEL NUMBER 441777, TYPE NUMBER 0883-E1

KEY NO.	PART NO.	DESCRIPTION	KEY NO.	PART NO.	DESCRIPTION
526	691108	Screw (Regulator)	1026	690981	Rod-Push (Steel)
544	692034	Armature-Starter	1026A	690982	Rod-Push (Aluminum)
552	690552	Bushing-Governor Crank	1027	492932s	Filter-Oil
552A	690553	Bushing-Governor Crank	1029	690972	Arm-Rocker
562	690311	Bolt (Governor Control Lever)	1036		Label-Emissions (Available from a Briggs & Stratton Authorized Service Dealer)
573	790444	Plate-Back			
601	791850	Clamp-Hose	1040	791237	Plate-Trim
615	698290	Retainer-Governor Shaft	1051	691265	Ring-Retaining
616	691045	Crank-Governor	1054	280275	Cable-Tie
617	697891	Seal-O Ring (Intake Manifold)	1058	MS3372	Operator's Manual
628	691108	Screw (Fuel Pump Bracket)	1059	698516	Kit-Screw/Washer
633	690998	Ø Seal-Choke/Throttle Shaft	1070	690372	Screw (Flywheel Fan)
635	66538s	Boot-Spark Plug	1090	691293	Retainer-Brush
654	690958	Nut (Carburetor)	1095	694013	Kit-Valve Gasket
668	691215	Spacer	1100	791959	Pivot-Rocker Arm
672	690234	Ø Gasket-Carburetor Plate	1119	691183	Screw (Alternator)
691	790574	• Seal-Governor Shaft	1123	699725	Ø Seal-O Ring (Solenoid Retainer)
695	693149	Screw (Ring Gear)	1124	690988	Ø Seal-O Ring (Fuel Transfer Tube)
697	690372	Screw (Drive Cap)	1126	690991	Screw (Fuel Transfer Tube)
703	691010	Clip	1127	690992	Screw (Float Bowl)
718	690959	Pin-Locating	1128	690990	Screw (Carburetor Nozzle)
726	499612	Gear-Ring	1329	441777-0027	Replacement Engine (Transfer the speed limiter control assembly to the replacement engine. Transfer Governor Spring to the replacement engine.)
741	690980	Gear-Timing			
742	690328	Retainer-E Ring			
750	696999	Screw (Oil Pump Cover)			
783	695708	Gear-Pinion	1330	273521	Repair Manual
788	793145	Bracket-Fuel Pump	1342	699731	Extension-Fuel Transfer Tube
789	698330	Harness-Wiring			
789A	790544	Harness-Wiring	•		Included in Engine Gasket Set, Key. No. 358
797	691029	Nut (Brush Retainer)	Ø		Included in Carburetor Overhaul Kit, Key. No. 121
797A	693167	Nut (Brush Retainer)	+		Included in Valve Gasket Set, Key. No. 1095
798	697890	Screw (Rocker Arm)			
801	691283	Cap-Drive			
802	691286	Cap-End			
803	693757	Housing-Starter			
842	691031	• Seal-Dipstick/Tube			
847	499602	Dipstick/Tube Assembly			
851	493880s	Terminal-Spark Plug			
865	691012	Cover-Air Guide (Cylinder #1)			
865A	793205	Cover-Air Guide (Cylinder #2)			
865B	691015	Cover-Air Guide (Valley)			
868	690968	•+ Seal-Valve			
877	393456	Wire/Connector-Alternator			
914	691127	Screw (Rocker Cover)			
918	793147	Hose-Vacuum			
929	695239	Screw (Intake Manifold)			
943	690589	• Seal-O Ring (Oil Pump Cover)			
947	699728	Solenoid-Fuel			
965	499613	Cover-Oil Pump			
967	273638s	Filter-Pre Cleaner			
968	791242	Cover-Air Cleaner			
975	499810	Bowl-Float			
987	691000	Ø Seal-Throttle Shaft			
1005	790698	Fan-Flywheel			
1013	690954	Nipple-Oil Filter			
1017	690770	Screen-Oil Pump			
1022	690971	•+ Gasket-Rocker Cover			
1023	793146	Cover-Rocker (Cylinder 1)			
1023A	499600	Cover-Rocker (Cylinder 2)			
1024	794416	Pump-Oil			

NOTE: All component dimensions given in U.S. inches
1 inch = 25.4 mm

SERVICE NOTES

CRAFTSMAN®