

**REPAIR PARTS MANUAL**  
**MODEL NO. 256960**  
**Garden Tractor**



# HOW TO USE THIS MANUAL

This manual is designed to provide the customer with a means to identify the parts on his/her tractor when ordering repair parts. The illustrations may or may not represent the actual assemblies; therefore, it is not recommended to use this manual as a guide to assemble or disassemble the tractor. Some hardware and parts are drawn larger in order to more readily identify them.

Each tractor has its own model number.

The model number for your tractor can be found on the fender under the seat.

When ordering parts, always give the following information:

- Product - "Tractor"
- Model Number - "256960"
- Part Number
- Part Description

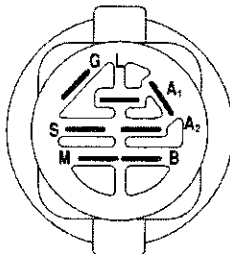
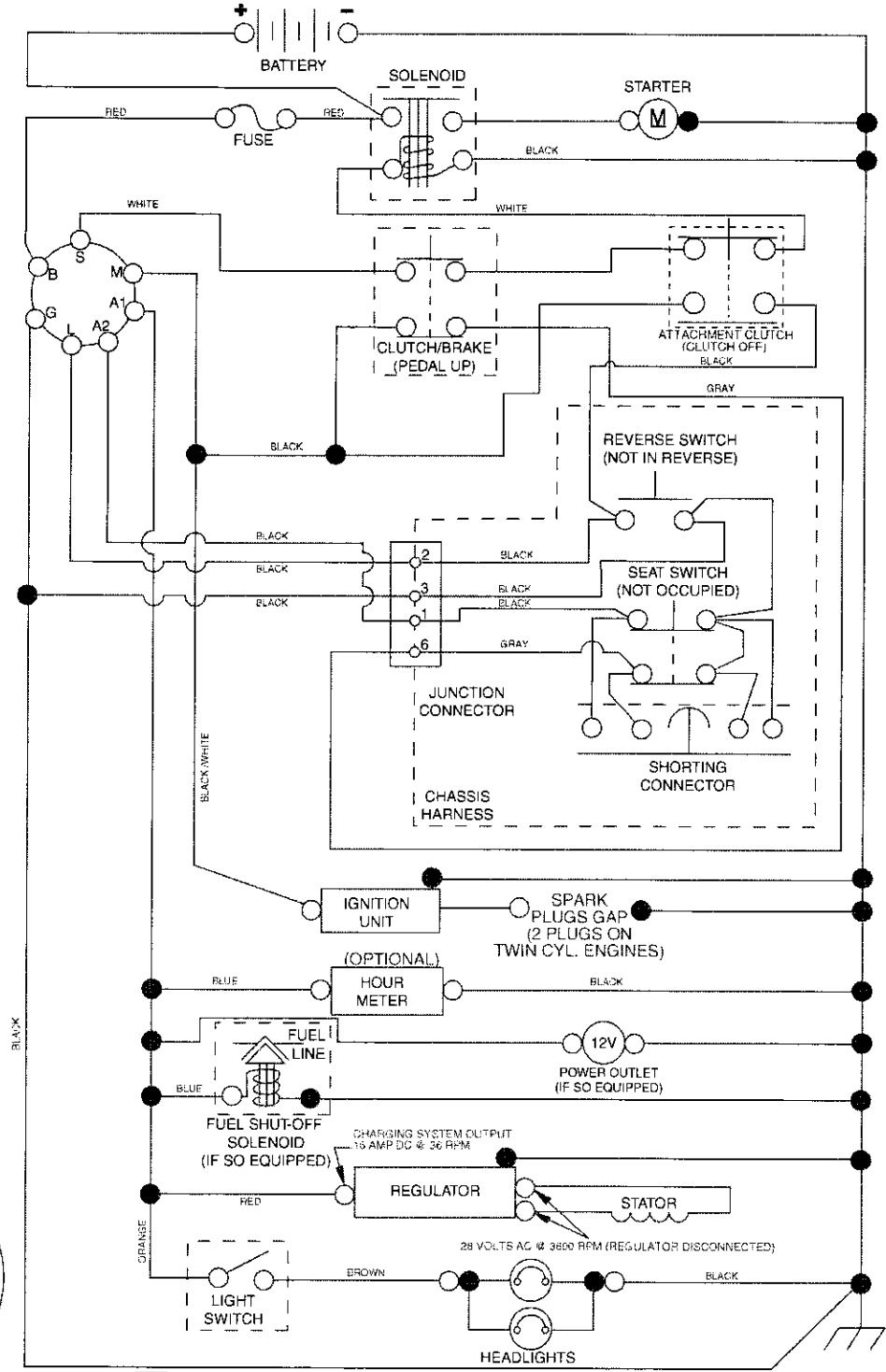
## TABLE OF CONTENTS

<b>SCHEMATIC .....</b>	<b>3</b>
<b>ELECTRICAL.....</b>	<b>4-5</b>
<b>CHASSIS .....</b>	<b>6-7</b>
<b>DRIVE.....</b>	<b>8-9</b>
<b>ENGINE.....</b>	<b>10-11</b>
<b>SEAT .....</b>	<b>12</b>
<b>DECAL .....</b>	<b>13</b>
<b>MOWER .....</b>	<b>14-15</b>
<b>STEERING .....</b>	<b>16</b>
<b>LIFT.....</b>	<b>17</b>
<b>TRANSAXLE.....</b>	<b>18-19</b>
<b>ENGINE BREAKDOWN.....</b>	<b>20-25</b>
<b>WARRANTY.....</b>	<b>BACK COVER</b>

# TRACTOR- -MODEL NO. 917. 256960

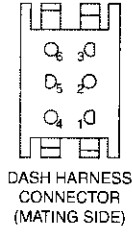
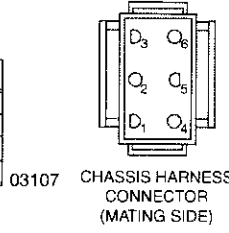
## SCHEMATIC

Q3107-194276-400449\_Manual-Tex

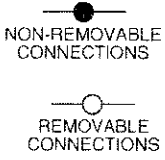


IGNITION SWITCH

POSITION	CIRCUIT	"MAKE"
OFF	M+G+A1	
RUN/OVERRIDE	B+A1	
RUN	B+A1	L+A2
START	B + S + A1	

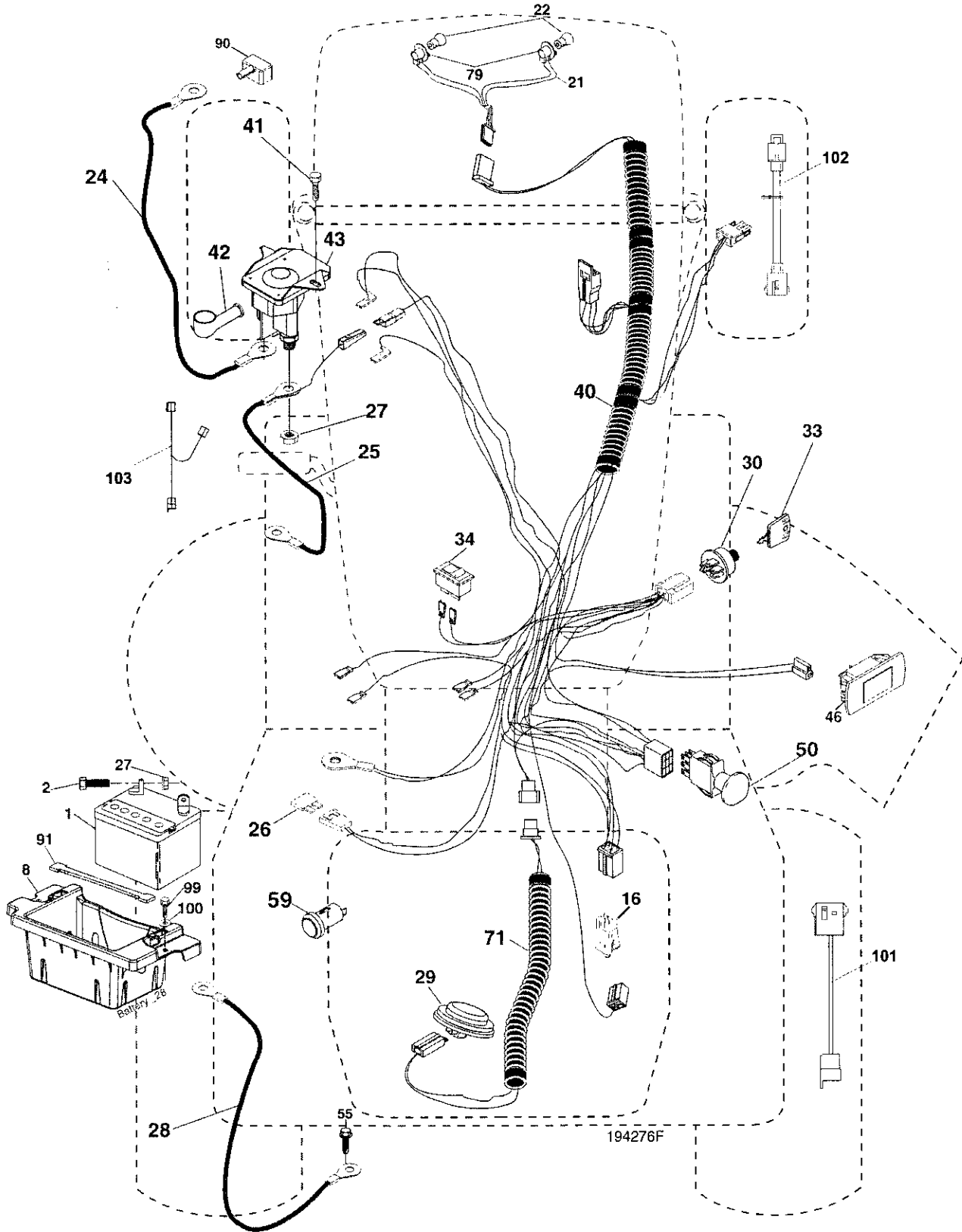


**WIRING INSULATED CLIPS**  
 NOTE: IF WIRING INSULATED CLIPS WERE REMOVED FOR SERVICING OF UNIT, THEY SHOULD BE REPLACED TO PROPERLY SECURE YOUR WIRING.



# TRACTOR- -MODEL NO. 917. 256960

## SCHEMATIC



# TRACTOR- -MODEL NO. 917. 256960

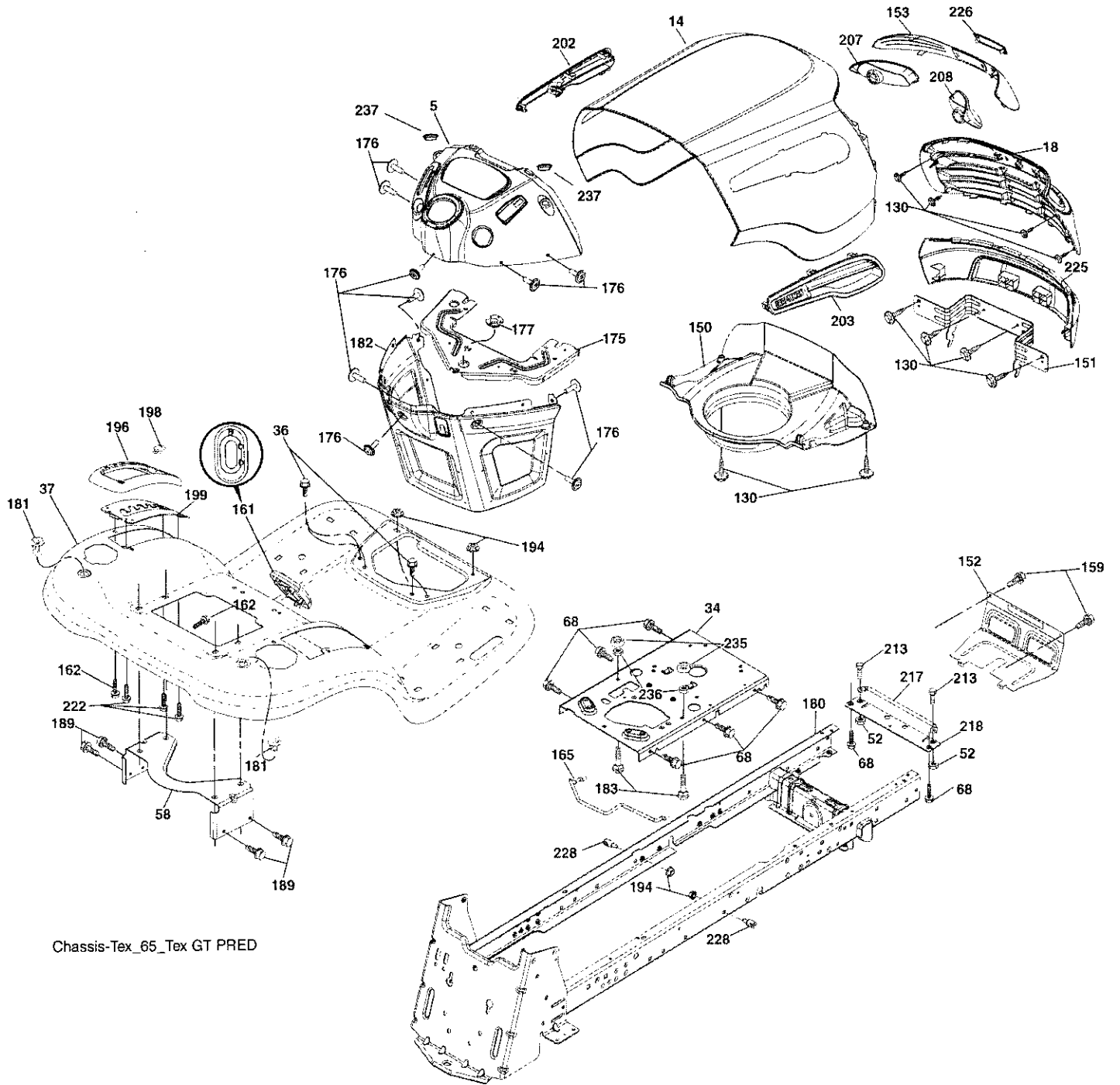
## SCHEMATIC

KEY NO.	PART NO.	DESCRIPTION
1	144927	Battery
2	74760412	Bolt Hex Head 1/4-20 x 3/4
8	186491	Box Battery
16	176138	Switch Interlock Push-In
21	400252	Harness Socket Light W/4152J
22	4152J	Bulb Light
24	400253	Cable Battery
25	198893	Cable Starter
26	175158	Fuse
27	73510400	Nut Keps Hex 1/4-20 unc
28	145491	Cable, Ground
29	401545	Switch, Seat
30	193350	Switch, Ign
33	140403	Key, Ignition
34	110712X	Switch Light / Reset
40	401104	Harness Ign. Dash
41	17720408	Screw 1/4-20 x 1/2
42	131563	Cover, Terminal
43	192507	Solenoid
46	401763	Gauge Hourmeter
50	174652	Switch, PTO
55	17060512	Screw 5/16-18 x 3/4
59	400303	Outlet 12-Volt
71	194276	Harness Ignition
79	175242	Socket Asm. Bulb
90	400724	Cover Terminal Battery
91	190270	Strap Battery Mount Front
99	17670412	Screw Hexwsh Thdrol 1/4-20 x 3/4
100	19091416	Washer 9/32 x 7/8 x 16 Ga.
101	198317	Pigtail
102	404454	Harness Pigtail K46 Tex ROS
103	407962	Harness Pigtail 12V Outlet

**NOTE:** All component dimensions give in U.S. inches  
1 inch = 25.4 mm

# TRACTOR- -MODEL NO. 917. 256960

## CHASSIS



Chassis-Tex\_65\_Tex GT PRED

# TRACTOR- -MODEL NO. 917. 256960

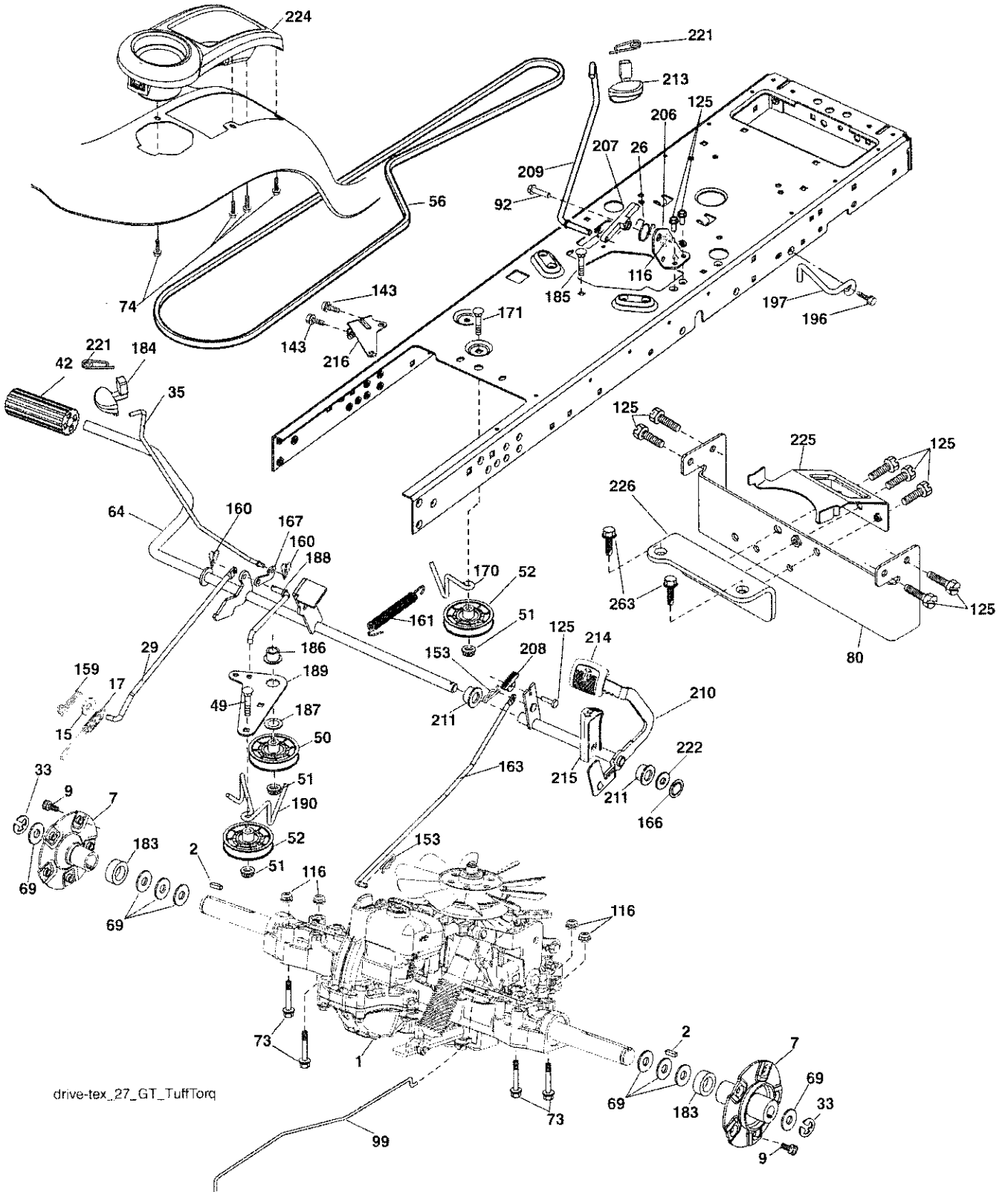
## CHASSIS

KEY NO.	PART NO.	DESCRIPTION
5	199675X428	Dash
14	404654X615	Hood
18	404624	Grille, Assembly
34	196125	Plate Engine
36	17060512	Screw 5/16-18 x 3/4
37	400009X615	Fender
52	73680500	Nut Crown Lock 5/16-18
58	194314	Bracket Fender
68	17490508	Screw Thdrol 5/16-18 x 1/2
130	191611	Screw 10 x 3/4 Single Lead-Hex
150	199411	Duct Heat Hood
151	196332	Bracket Pivot
152	199535	Shield Browning/Debris
153	198965	Lens Bar
159	17000612	Screw Hexwsh Thdrol 3/8-16 x 3/4
161	193097X428	Console Fuel Window
162	142432	Screw Hex Wsh Hi-Lo 1/4 x 1/2
165	196826	Bracket Support Tank
175	196304	Crossmember
176	400776	Screw #10-24 x 5/8 Rnd Qudrx
177	195227	Bushing Steering
180	195477	Chassis
181	193102X428	Bushing Mtg. Fender Crgo.
182	194787	Dash Lower
183	74780520	Bolt Fin Hex 5/16-18 unc x 1-1/4
189	17000512	Screw 5/16-18 x 3/4
194	73900500	Nut Lock Hex Flange 5/16-18
196	193098X428	Console Asm. Deck Lift
198	197300X505	Indicator Deck Lift
199	196377	Plate Deck Lift
202	198969X428	Vent Side Hood LH
203	198968X428	Vent Side Hood RH
207	198964	Bezel LH
208	198963	Bezel RH
213	74760512	Bolt Hex HD 5/16-18 UNC x 3/4
217	409167	Rod Pivot Chassis/Hood
218	196395	X-Piece Hood Stop
222	137729	Screw thd Roll 1/4-20 x 5/8
225	198962X615	Bumper
226	198967X428	Logo
228	195161	Stud Fastner
235	406129	Spacer Fender
236	73930500	Nut Center Lock 5/16-18 UNC
237	403704	Plug Mount Cargo

**NOTE:** All component dimensions give in U.S. inches  
1 inch = 25.4 mm

# TRACTOR- -MODEL NO. 917. 256960

## DRIVE





# TRACTOR- -MODEL NO. 917. 256960

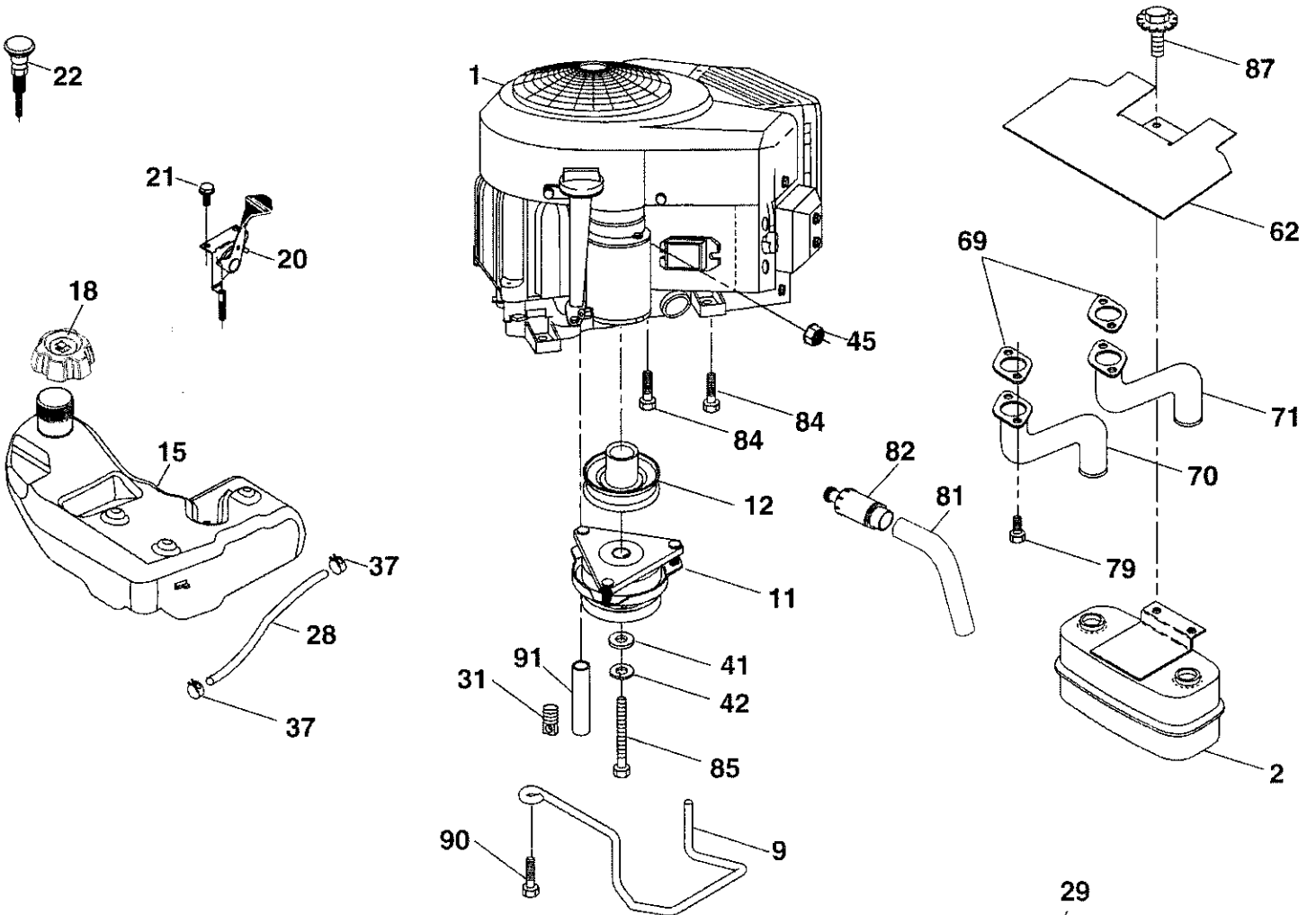
## DRIVE

KEY NO.	PART NO.	DESCRIPTION
1	-----	Transaxle, TUFF TORQ K66
2	7070E	Key
7	199837	Hub Asm. Whl. Rear
9	140080	Bolt Hub
15	19131316	Washer 13/32 x 13/16 x 16 Ga.
17	401072	Spring, Brake
26	199679	Spring Return Cruise
29	407245	Rod, Brake
33	12000053	Ring E
35	199591	Rod, Brake, Park
42	8883R	Cover, Foot Pedal
49	72110614	Bolt
50	194327	Pulley Idler Flat
51	73900600	Lock Nut 3/8-16
52	194326	Idler V-Groove 910" Offset
56	125907X	V-Belt, Drive
64	197865	Shaft Asm. Pedal Brake Control
69	123800X	Washer 11/32 x 1 5/8 x 16 Ga.
73	74490544	Bolt Hex Flghd 5/16-18 Gr. 5
74	142432	Screw 1/4 x 1-1/2 UNC
80	407182	Strap Torque
92	74760520	Bolt Fin Hex 5/16-18 UNC x 1.25
99	407247	Rod Bypass
116	73900500	Nut Lock Hex Flange 5/16-18
125	17000512	Screw 5/16-18 x 3/4
143	17490508	Screw 5/16-18 x 1/2
153	4497H	Retainer Spring
159	76020412	Pin Cotter 1/8 x 3/4
160	169484	Retainer Clip
161	195403	Spring, Return, Clutch
163	407246	Rod Pedal Control
166	197290	Nut, Push
167	405257	Latch Brake Parking
170	194322	Keeper Belt Centerspan
171	72110616	Bolt
183	197357	Spacer Axle
184	196439X505	Handle Parking Brake
185	72110620	Bolt
186	194321	Spacer Retainer
187	19133210	Washer
188	194323	Link Clutch Ground Drive
189	194317	Bellcrank Ground Drive
190	194318	Keeper Bellcrank Ground Drive
196	17000616	Screw 3/8-16 x 1
197	199769	Link Clutch Anti-Rotation
206	197867	Bracket Mount Latch Cruise
207	197868	Latch Control Cruise
208	197869	Gear Sector Control Cruise
209	199592	Rod Control Cruise
210	197860	Rocker Asm. Pedal Control
211	120183X	Bearing, Nylon
213	196441X428	Knob Control Cruise
214	197302X428	Pad Pedal Forward
215	197301X428	Pad Pedal Reverse
216	196131	Bracket Pulley Idler
221	403187	Retainer Spring Clip Handle
222	79212010	Washer
224	193099X428	Console Toolbox
225	407311	Keeper Belt Trans.
226	407109	Bracket Mount Torque
263	17000612	Screw 3/8-16 x 3/4

**NOTE:** All component dimensions give in U.S. inches  
1 inch = 25.4 mm

# TRACTOR- -MODEL NO. 917. 256960

## ENGINE



**SPARK ARRESTER KIT**

engine-tex\_24-vgt

# TRACTOR- -MODEL NO. 917. 256960

## ENGINE

KEY PART NO. NO.	DESCRIPTION	KEY PART NO. NO.	DESCRIPTION
1	-----	42	STD551143
	Engine B & S Model No.	45	73510400
	44P777-0884-E1 (See Engine	62	146629
	Breakdown)	69	165391
2	149723	70	159955
9	194320	71	160589
11	179335	79	183906
12	194343	81	148456
15	193499	82	181654
18	195951	84	17060620
20	175437X428	85	179953
21	191611	87	198239
22	187767X428	90	17000616
28	8543R	91	187495
29	137180		
31	145006		
37	123487X		
41	126197X		

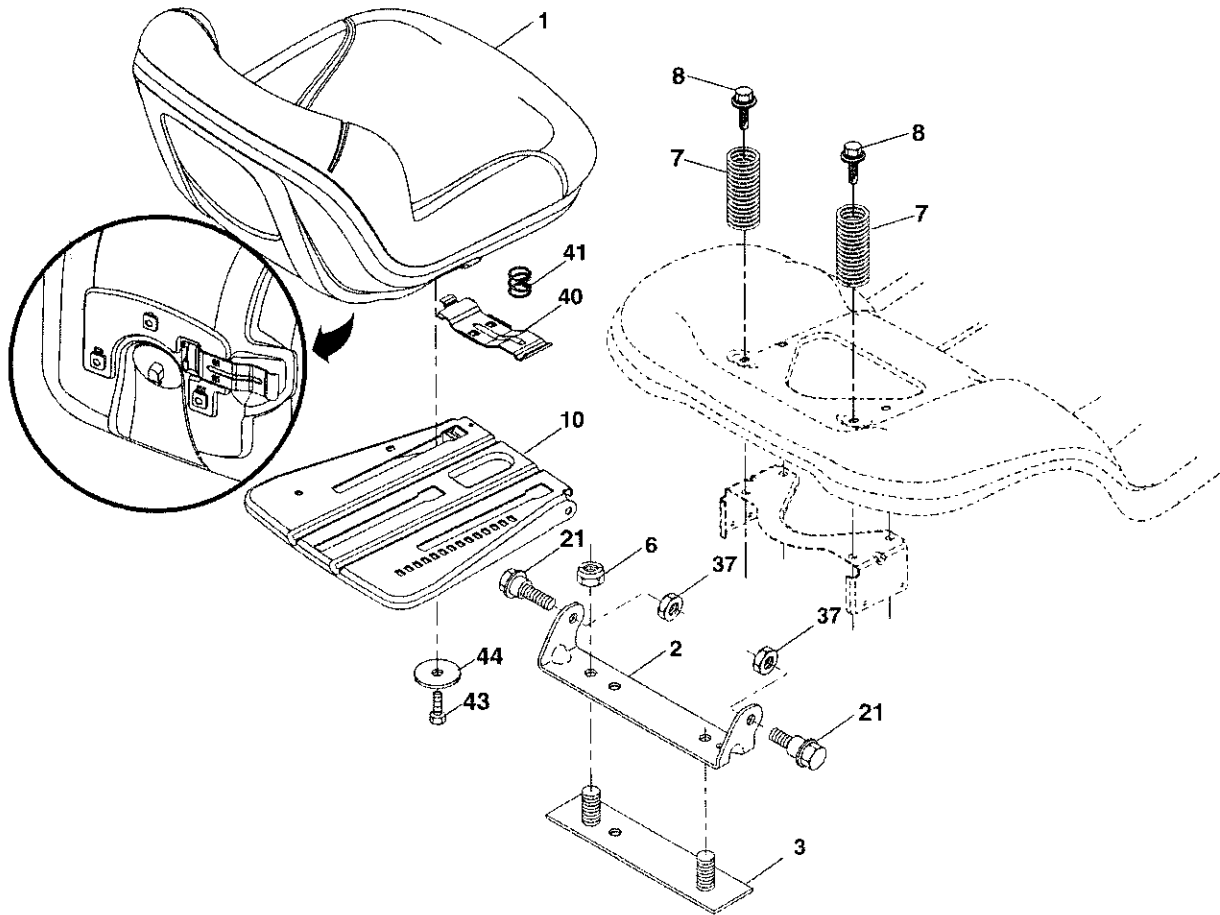
**NOTE:** All component dimensions give in U.S. inches  
1 inch = 25.4 mm

### Engine Power Rating Information

The gross power rating for individual gas engine models is labeled in accordance with SAE (Society of Automotive Engineers) code J11940 (Small Engine Power & Torque Rating Procedure), and rating performance has been obtained and corrected in accordance with SAE J1995 (Revision 2002-5). Actual gross engine power will be lower and is affected by, among other things, ambient operating conditions and engine-to-engine variability. Given both the wide array of products on which engines are placed and the variety of environmental issues applicable to operating the equipment, the gas engine will not develop the rated gross power when used in a given piece of power equipment (actual "on-site" or net horsepower). This difference is due to a variety of factors including, but not limited to, accessories (air cleaner, exhaust, charging, cooling, carburetor, fuel pump, etc.), application limitations, ambient operating conditions (temperature, humidity, altitude), and engine-to-engine variability. Due to manufacturing and capacity limitations, Briggs & Stratton may substitute an engine of higher rated power for this Series engine.

# TRACTOR- -MODEL NO. 917. 256960

## SEAT



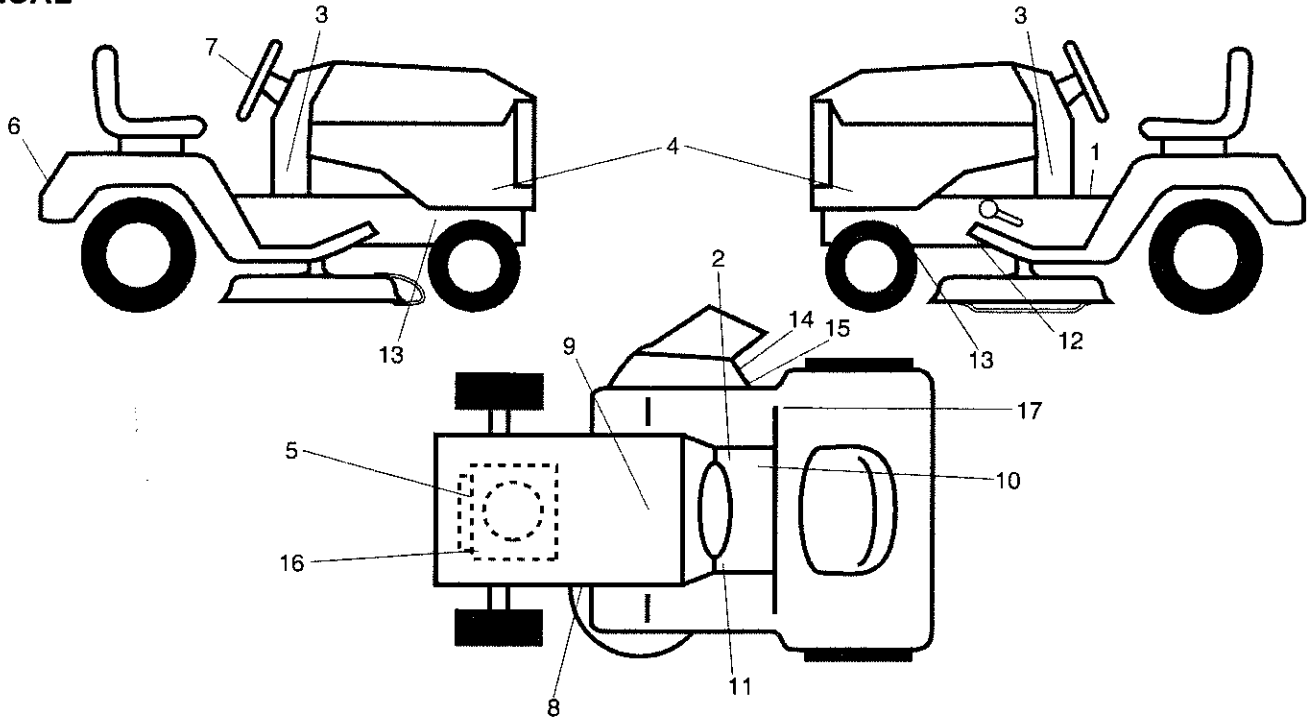
seat-tex\_7-vgt

KEY NO.	PART NO.	DESCRIPTION	KEY NO.	PART NO.	DESCRIPTION
1	406622	Seat	37	STD541437	Nut, Lock 5/16-18 unc
2	180166	Bracket Pivot Fender	40	197661	Handle Slide Seat
3	140675	Strap, Asm Fender	41	198200	Spring Latch Seat
6	STD541437	Nut, Lock W/Ins. 3/8-16 unc	43	STD523707	Bolt Fin Hex 3/8-16 unc x 3/4
7	124181X	Spring, Seat Cprsn	44	19133812	Washer 13/32 x 2-3/8 x 12 Ga.
8	171877	Bolt 5/16-18 uncx 3/4 w/Sems			
10	196977	Pan, Seat			
21	171852	Bolt, Shoulder 5/16-18			

**NOTE:** All component dimensions give in U.S. inches  
1 inch = 25.4 mm

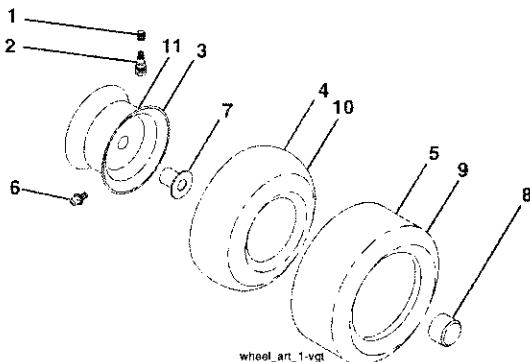
# TRACTOR- -MODEL NO. 917. 256960

## DECAL



KEY NO.	PART NO.	DESCRIPTION	KEY NO.	PART NO.	DESCRIPTION
1	400389	Decal, Oper./Warng	14	182166	Decal, Cutfinger
2	140837	Decal, Saddle Brake Parking	15	196357	Decal, Deflect WRN Cutfinger Sym
3	410783	Decal, Panel Side Dash	16	196841	Decal, Warning Eng. Sym.
4	410782	Decal, Panel Side Hood	17	180433	Decal, Fender 105 BB/CE
5	409714	Decal, Eng. B&S	--	162598	Decal Drawbar Load Limit
6	411697	Decal, Fender	--	166960	Decal, Bypass
7	164065	Decal, Steering	--	193101X428	Pad, Footrest, LH
8	198785	Decal, Mower Schematic	--	193279X428	Pad, Footrest, RH
9	145005	Decal, Battery Dnge/Poi	--	412851	Manual, Operator's (Euro)
10	178302	Decal, Oper Cruise Symbol	--	412852	Manual, Operator's (Scan)
11	159737	Decal, Brake/Clutch Symbol	--	412853	Manual, Operator's (E-Bloc)
12	199135	Decal, Mower V-Belt Schematic	--	412854	Manual, Operator's (Baltic)
13	159736	Decal, Chassis Hot Muffler	--	412855	Manual, Parts

## WHEELS & TIRES

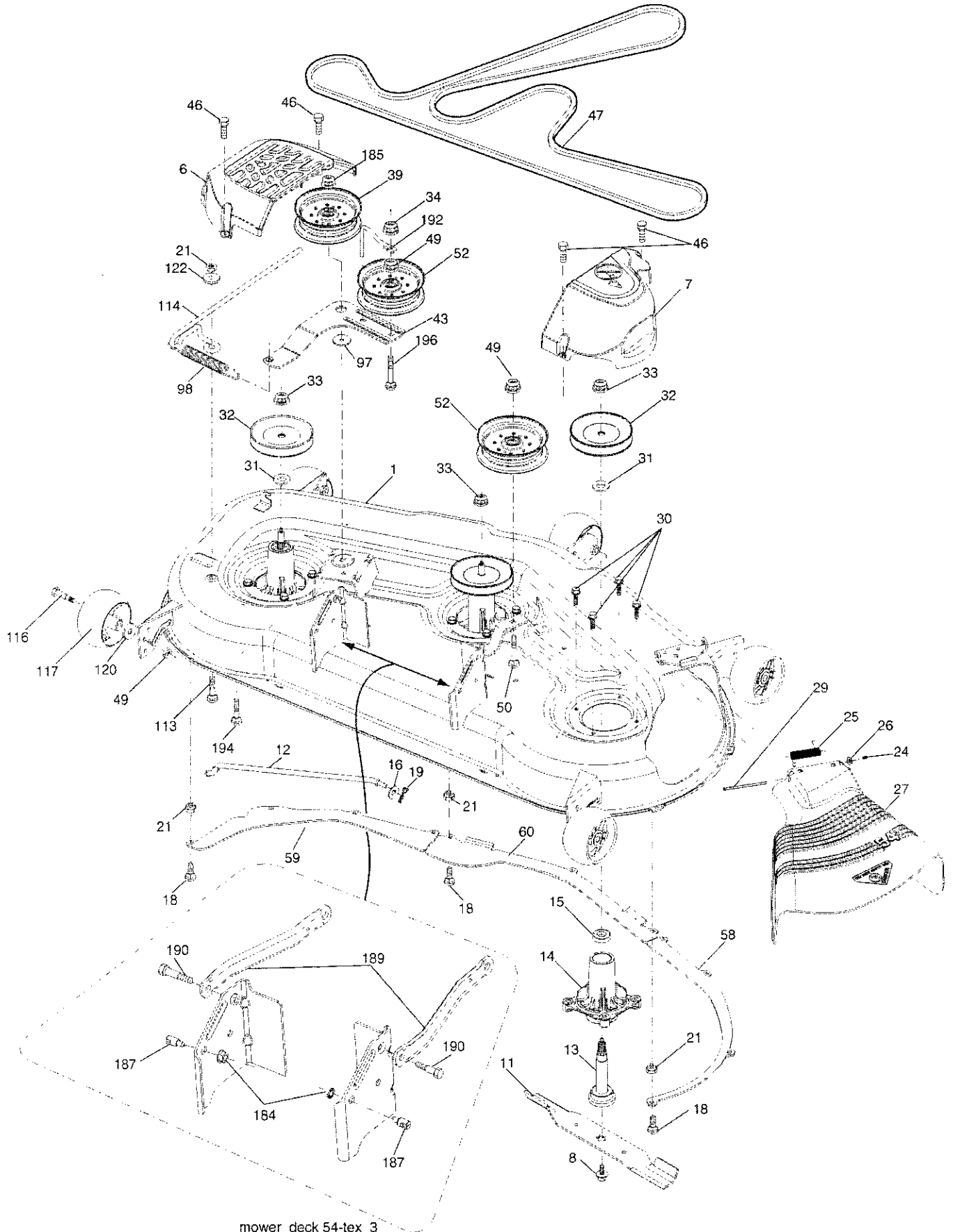


KEY NO.	PART NO.	DESCRIPTION
1	59192	Cap, Valve, Tire
2	65139	Stem, Valve
3	106228X645	Rim Assembly, Front
4	59904	Tube, Front (Service Item Only)
5	106230X	Tire, Front
6	278H	Fitting, Grease (Front Wheel Only)
7	9040H	Bearing, Flange (Front Wheel Only)
8	104757X645	Cap, Axle (Front Wheel Only)
9	105588X	Tire, Rear
10	7152J	Tube, Rear (Service Item Only)
11	106277X645	Rim Assembly, Rear
--	144334	Sealant, Tire (10 oz. Tube)

**NOTE:** All component dimensions give in U.S. inches  
1 inch = 25.4 mm

# TRACTOR- -MODEL NO. 917. 256960

## MOWER



mower\_deck 54-tex\_3

# TRACTOR- -MODEL NO. 917. 256960

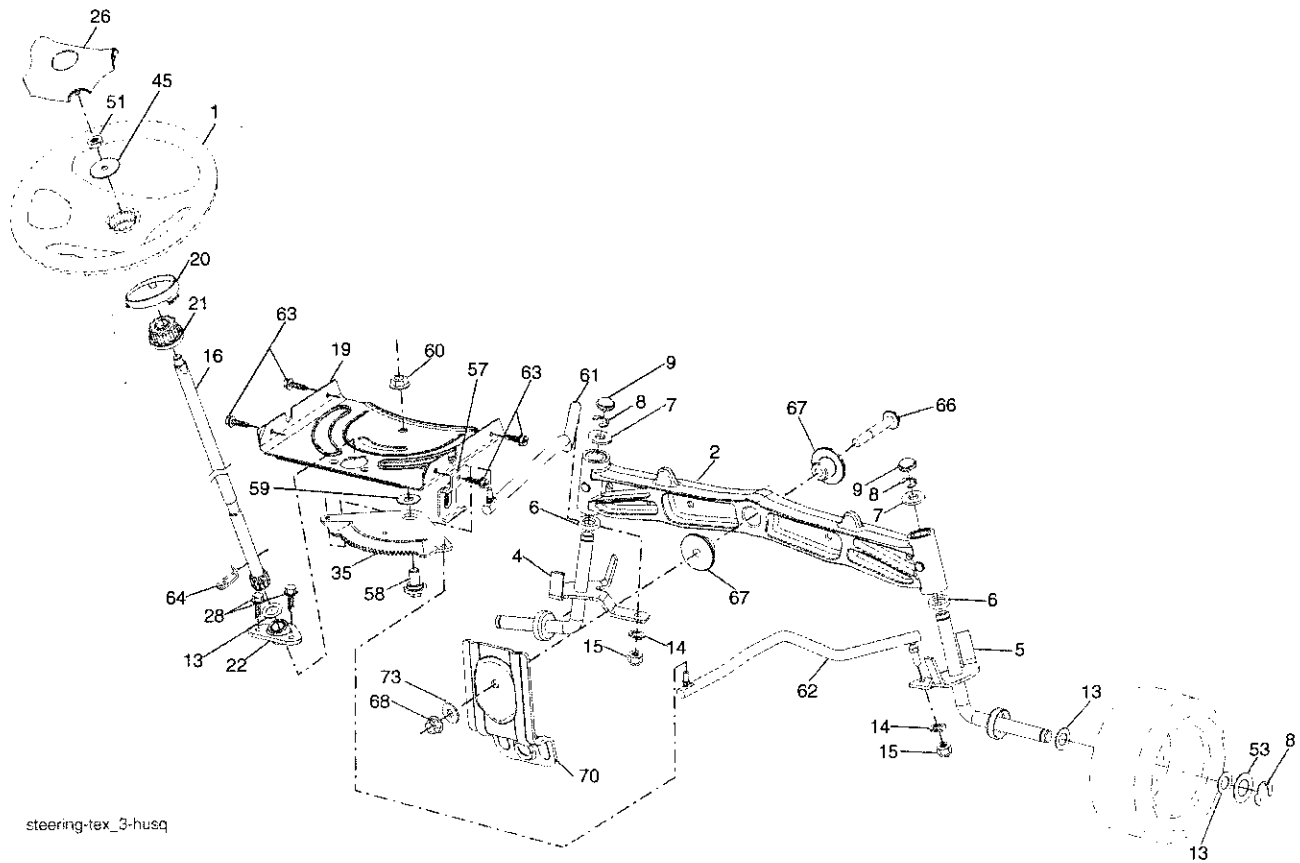
## MOWER

KEY NO.	PART NO.	DESCRIPTION	KEY NO.	PART NO.	DESCRIPTION
1	195632X613	Deck Weldment Mower	49	73900600	Nut, Lock Fig. 3/8-16 unc
6	196066	Cover Mandrel LH	50	72110616	Bolt, Carr. 3/8-16 x 2
7	197181	Cover Mandrel RH	52	196106	Pulley Idler Clutching
8	174365	Bolt 7/16 Asm. Blade	58	187342	Baffle Right
11	401286	Blade	59	187344	Baffle Left
12	400337	Rod Anit-Sway	60	187607	Baffle Center
13	187291	Shaft Asm. w/Lower Bearing	97	178515	Washer Hardened
14	187281	Housing, Mandrel	98	196105	Spring Drive
15	110485X	Bearing, Ball, Mandrel	113	72110508	Bolt Rdhd Sqnk 5/16-18 x 3/4
16	19131312	Washer 13/32 x 13/16 x 12 Ga.	114	187556	Rod Tension Relief
18	72140505	Bolt RdHd 5/16-18 unc x 5/8	116	193406	Bolt, Shoulder
19	194208	Pin Cotter 5/16 Bow Tie Lock	117	174873	Gauge Wheel
21	73680500	Nut, Crownlock 5/16-18 unc	120	19132012	Washer 13/32 x 1-1/4 x 12 Ga.
24	105304X	Cap Sleeve	122	187557	Bushing Tension Relief
25	178102	Spring, Torsion	184	73900500	Nut Lock Flange 5/16-18
26	110452X	Nut, Push	185	73900700	Nut Lock Flange 7/16-14 Gr. 5
27	187257X428	Deflector Shield	187	195161	Stud Fastener w/"D" Anti-Rotation
29	131491	Rod, Hinge	189	195185	Arm Susp. Mower Rear
30	173984	Screw, Thdroll Washer Head	190	196539	Bolt Shoulder
31	187690	Washer, Spacer Mower Vented	192	198468	Keeper Belt Idler
32	173436	Pulley, Mandrel	194	72140716	Bolt Carr Sqnk 3/8-16 x 2-1/4
33	400234	Nut, Fig. Top Lock	196	72140620	Bolt RdHd 3/8-16 unc x 2-1/2 Gr. 5
34	73680600	Nut	--	187292	Mandrel Asm. Service (Includes Key Nos. 13-15 and 33)
39	196104	Pulley, Idler, Stationary	--	401725	Replacement Mower, Complete
43	196065	Arm, Idler			
46	137729	Screw, Thdroll. 1/4-20 x 5/8			
47	196103	V-Belt, Mower			

**NOTE:** All component dimensions give in U.S. inches  
1 inch = 25.4 mm

# TRACTOR- -MODEL NO. 917. 256960

## STEERING



steering-tex\_3-husq

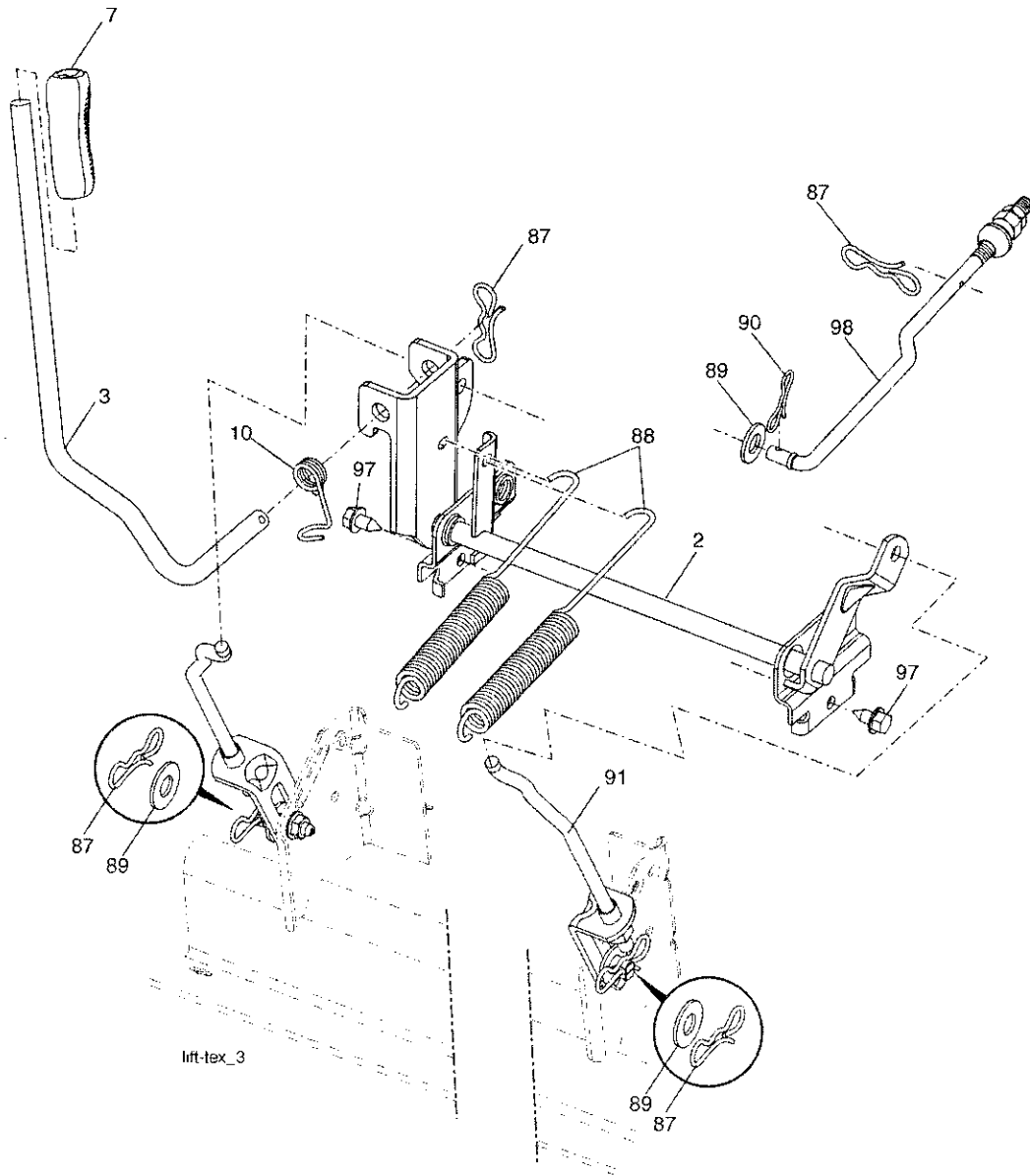
KEY PART NO.	PART NO.	DESCRIPTION	KEY PART NO.	PART NO.	DESCRIPTION
1	186093X428	Wheel, Steering	45	19183812	Washer 9/16 x 2-3/8 x 12 Ga.
2	195968	Axle Asm., Front	51	73940800	Nut Hex Jam Toplock 1/2-20 unf
4	403089	Spindle Asm., LH	53	188967	Washer Hardened .793 x 1.637 x .060
5	403090	Spindle Asm., RH	57	197246	Bracket Upstop
6	6266H	Bearing, Race Thrust Harden	58	194747	Bolt Shoulder Sector Pivot CFM
7	121748X	Washer 25/32 x 1-5/8 x 16 Ga.	59	194748	Washer Thrust Sector Steering
8	12000029	Ring, Klip #T5304-75	60	73971000	Nut Flange Lock 5/8-11
9	184946X505	Cap, Spindle	61	194740	Draglink LH
13	121749X	Washer 25/32 x 1-1/4 x 16 Ga.	62	194741	Draglink, RH
14	STD551137	Washer, Lock Hvy Hlcl Spr 3/8	63	17000512	Screw 5/16-18 x 3/4
15	73540600	Nut, Crown Lock 3/8-24 unf	64	199849	Retainer Clip Spring Steering
16	194746	Shaft Steering	66	71020748	Bolt Hex Fghd 7/16-14 x 3 Serr
19	194729	Plate Steering	67	194737	Bushing PM Front Axle
20	199676X428	Boot, Steering	68	73900700	Nut Lock Flange 7/16-14 Gr. 5
21	186737	Adapter, Wheel Steering	69	199162	Washer 1.5 x .505 x .118
22	194845	Bushing, Strg. Blk	70	196197	Bracket Deck Susp. Front
26	186095X428	Insert, Wheel Steering			
28	17000612	Screw 3/8-16 x 3/4			
35	194732	Gear, Sector Plate			

**NOTE:** All component dimensions give in U.S. inches  
1 inch = 25.4 mm



# TRACTOR- -MODEL NO. 917. 256960

## LIFT

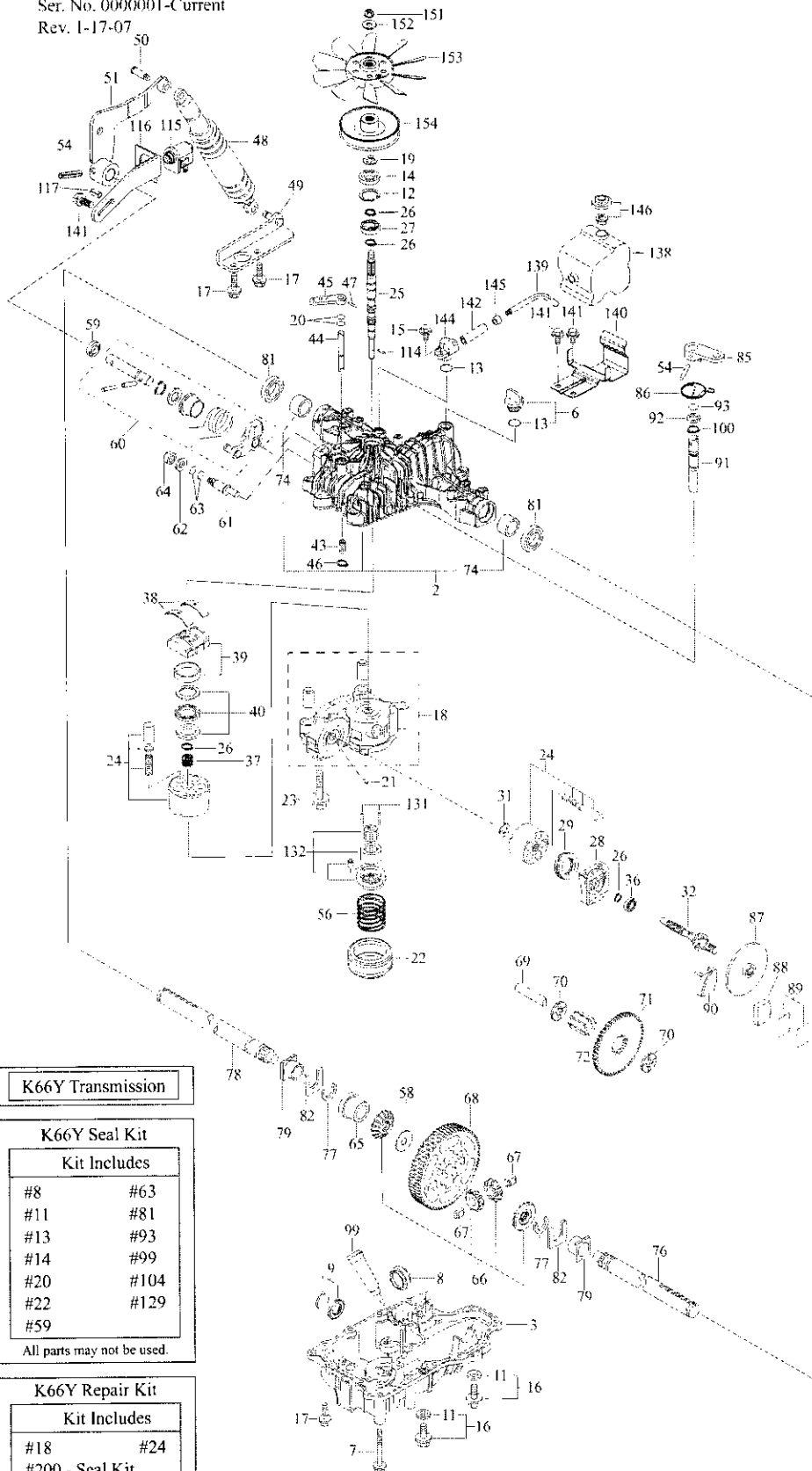


KEY PART NO.	PART NO.	DESCRIPTION	KEY PART NO.	PART NO.	DESCRIPTION
2	195223	Shaft Asm., Lift	90	194208	Pin Cotter 5/16 Bow Tie Lock
3	195230	Lever Asm., Lift Rh	91	403407	Link Lift Asm. Rear
7	196492X428	Grip, Lever	97	17060612	Screw 3/8-16 x .75 Smgml Tap/R.Z
10	196314	Spring Torsion	98	195264	Link Asm. Susp. Front Mower
87	194209	Pin Cotter 7/16 Bow Tie Lock			
88	195304	Spring Lift Assist			
89	19191912	Washer Clear Zinc			

**NOTE:** All component dimensions give in U.S. inches  
1 inch = 25.4 mm

# TRACTOR - - MODEL NUMBER 917. 256960 TUFFTORQ TRANSAXLE MODEL NUMBER K66

K66Y  
Ser. No. 0000001-Current  
Rev. 1-17-07



1 - K66Y Transmission

200 -

K66Y Seal Kit	
Kit Includes	
#8	#63
#11	#81
#13	#93
#14	#99
#20	#104
#22	#129
#59	

All parts may not be used.

201 -

K66Y Repair Kit	
Kit Includes	
#18	#24
#200 - Seal Kit	

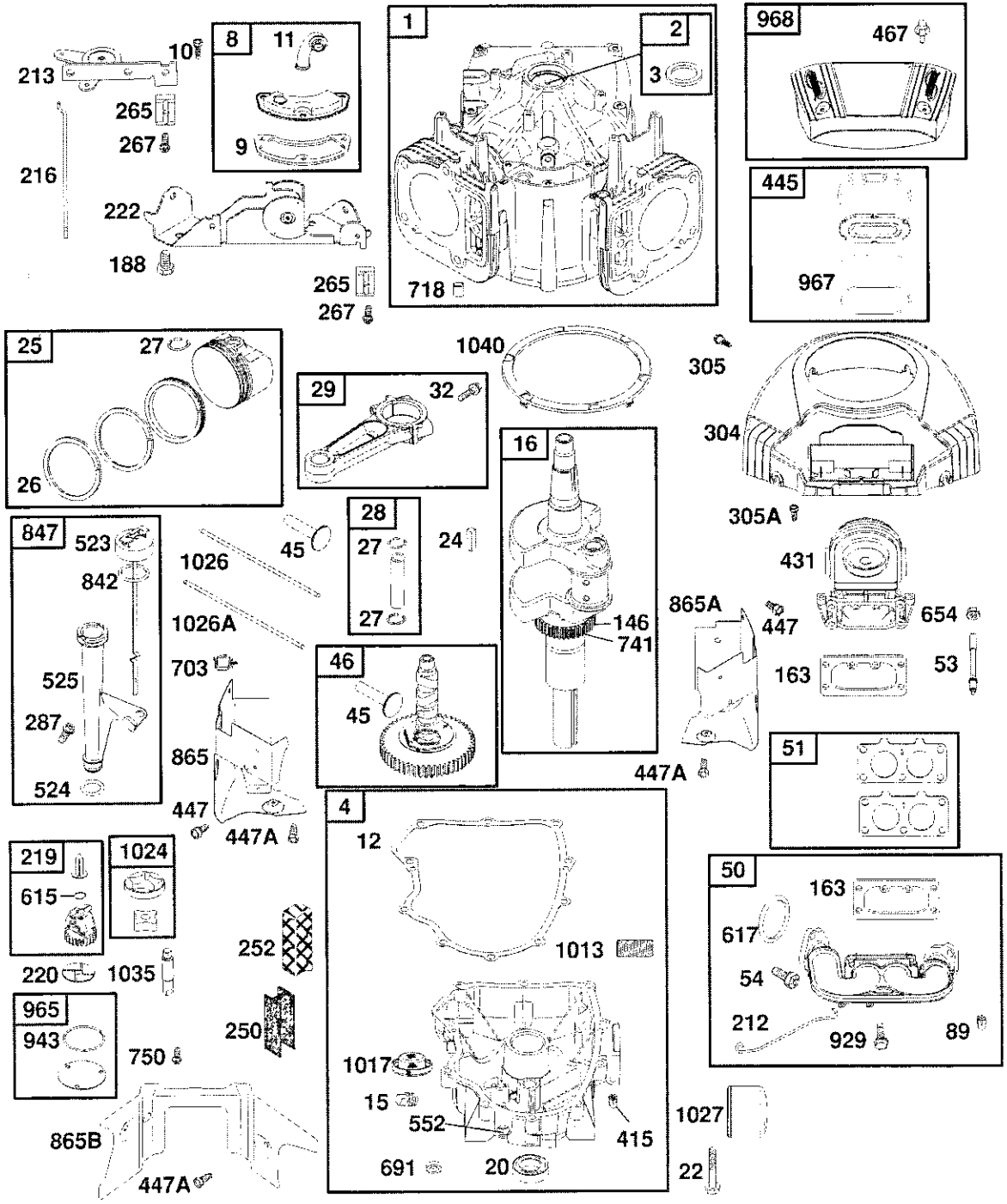
All parts may not be used.

## TRACTOR - - MODEL NUMBER 917. 256960 TUFFTORQ TRANSAXLE MODEL NUMBER K66

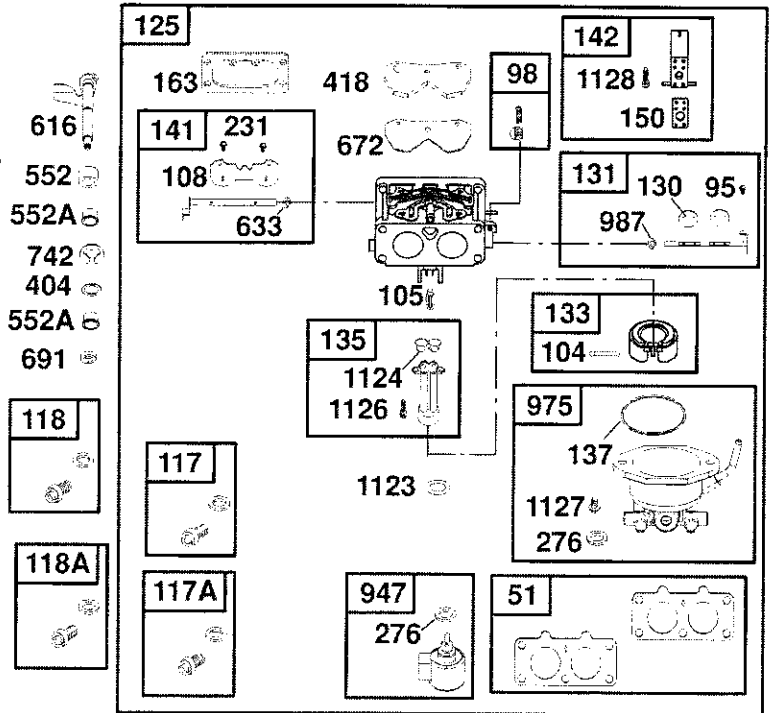
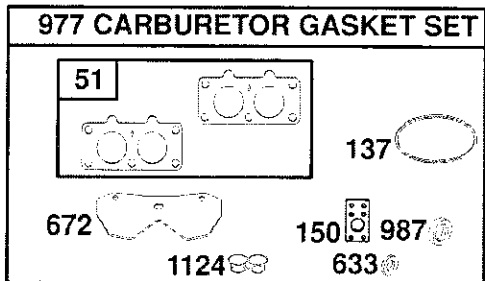
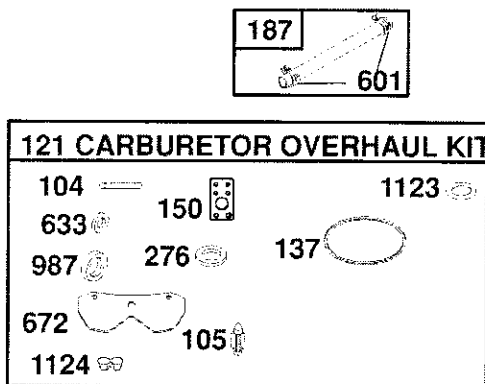
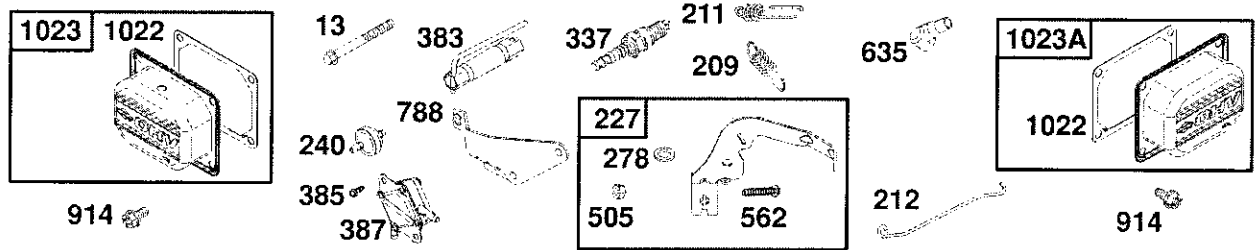
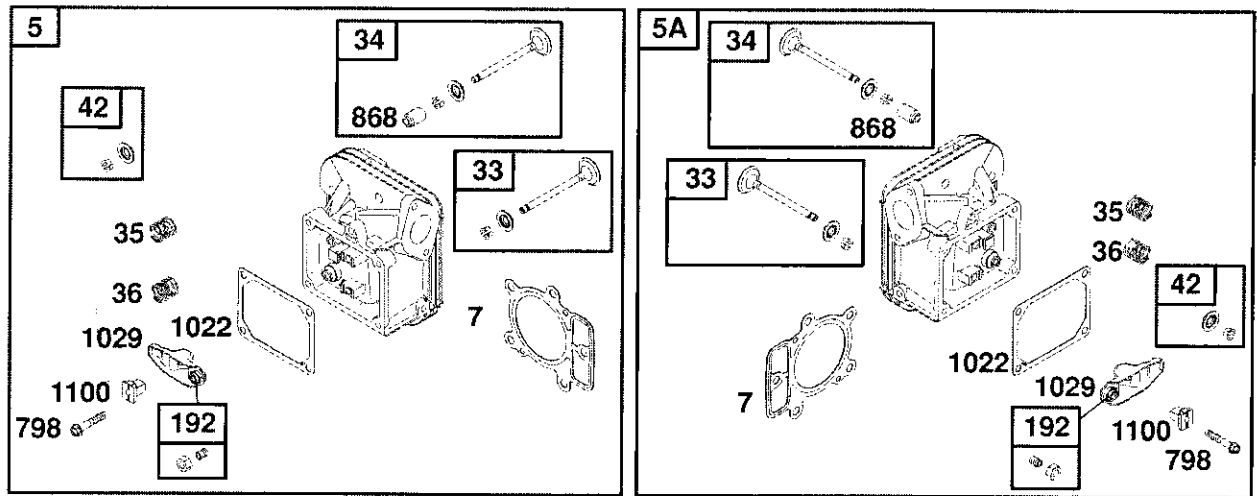
KEY NO.	PART NO.	DESCRIPTION	KEY NO.	PART NO.	DESCRIPTION
1	7A632084620	K66Y TRANSAXLE	62	22137120000	WASHER 12
2	1A632024101	UPPER CASE KIT	63	24311000140	O-RING 1A P14
3	1A632024161	LOWER CASE	64	26776120002	NUT 12
6	1A632024300	OIL CAP M20B PLASTIC	66	1A632081510	DIFF GEAR KIT
7	19215424310	CAP SCREW 8 * 75	67	1A632081860	PIN 17 * 24
8	1A632024320	FILTER	68	1A632099060	FINAL GEAR (67T)
9	19216324350	MAGNET	69	1A632083310	FINAL PINION SHAFT
11	22190100000	SEAL WASHER 10	70	1A632033420	WASHER 15 * 35 * 3.2
12	22252000350	SNAP RING C 35	71	1A632083650	REDUCTION GEAR 55T
13	24311000180	O-RING P18	72	1A632083360	FINAL PINION GEAR (11T)
13	24311000180	O-RING P18	74	19215434240	BUSHING 25.4
14	24421153507	SEAL TC 153507	76	1A632034150	AXLE SHAFT, LEFT
15	26106080202	BOLT 8 * 20	77	19216734160	RETAINING RING
16	26106100122	BOLT 10 * 12	78	1A632034190	AXLE SHAFT, RIGHT
17	26476080302	TAPPING SCREW 8 * 30	79	19216734240	BUSHING
18	1A632024850	CENTER CASE BB	81	19215434270	SEAL S25.4 * 42 * 8
19	19215485310	E-RING 15	82	1A632034290	THRUST WASHER
20	24311240100	O-RING 1A P10A	85	1A632029870	BRAKE LEVER
21	19216824760	PIN 3 * 9.8	86	1A632029891	BRAKE RETURN SPRING
22	19215488211	FILTER	87	1A632036110	BRAKE DISC
23	26106100652	BOLT 10 * 65	88	1A632036120	BRAKE SHOE
24	19216825210	CYLINDER BLOCK KIT	89	1A632036170	SHIM KIT
25	1A632025301	PUMP SHAFT	90	1A632036201	BRAKE ACTUATOR
26	19215425310	SNAP RING S15	91	1A632036160	BRAKE SHAFT
27	24101062020	BEARING 6202C3	92	1A632036190	WASHER 16 * 23 * 1.6
28	1A632024210	MOTOR HOUSING	93	24311000120	O-RING 1A P12
29	19215424240	THRUST BEARING	99	Part of seal kit	SEALANT
31	19216825230	WASHER 12 * 24 * 1	100	22242000160	SNAP RING
32	1A632085270	MOTOR SHAFT/GEAR (9T)	114	19215488330	PIN 3 * 13.8
36	24102063020	BEARING 6302DUC3	115	1A632086550	SWITCH 6440-11 DELTA
37	19215425200	PUMP SPRING	116	1A632086500	SWITCH PLATE
38	19215427051	THRUST METAL	117	22351080016	ROLL PIN 8 * 16
39	1A632027100	SWASH PLATE ASSEMBLY	65	1A632034270	COLLAR 25.4
40	New part #	THRUST BEARING KIT	131	22351040018	SPRING PIN 4 * 18
43	19215427281	SPRING 25	132	19215488240	CHARGE PUMP KIT
44	1A632029510	BYPASS SHAFT	138	1A632084930	RESERVOIR TANK
45	1A632029520	BYPASS LEVER	139	1A632084990	PIPE 8
46	19216829570	SNAP RING 10	140	1A632084900	TANK BRACKET
47	22351030020	PIN 3.0A * 20	141	26476080202	TAPPING SCREW 8 * 20
48	19215489150	SHOCK ABSORBER K65	142	1A632084810	TANK SPACER
49	1A632029550	SHOCK STAY	144	1A632084040	FITTING
50	1A632029640	PIN	145	1A632084960	SEAL 8
51	1A632029910	CONTROL LEVER	146	1A632024250	VENT VALVE 15
54	22351060040	ROLL PIN 6 * 40	151	19216829860	LOCK NUT 10
56	19215488380	CHARGE SPRING	152	1A632089080	WASHER 11 * 32 * 3.2
58	1A632096110	WASHER 17 * 36 * 6.4	153	187Q0083200	NOTCHED FAN 8.4" dia
59	19406527270	SEAL TC 162606	154	1A646085090	PULLEY DG 4.27" dia
60	1A632029801	CONTROL SHAFT KIT	200	1A632099300	SEAL KIT
61	1A632029700	FULCRUM	201	66002	REPAIR KIT

**NOTE:** All component dimensions give in U.S. inches  
1 inch = 25.4 mm

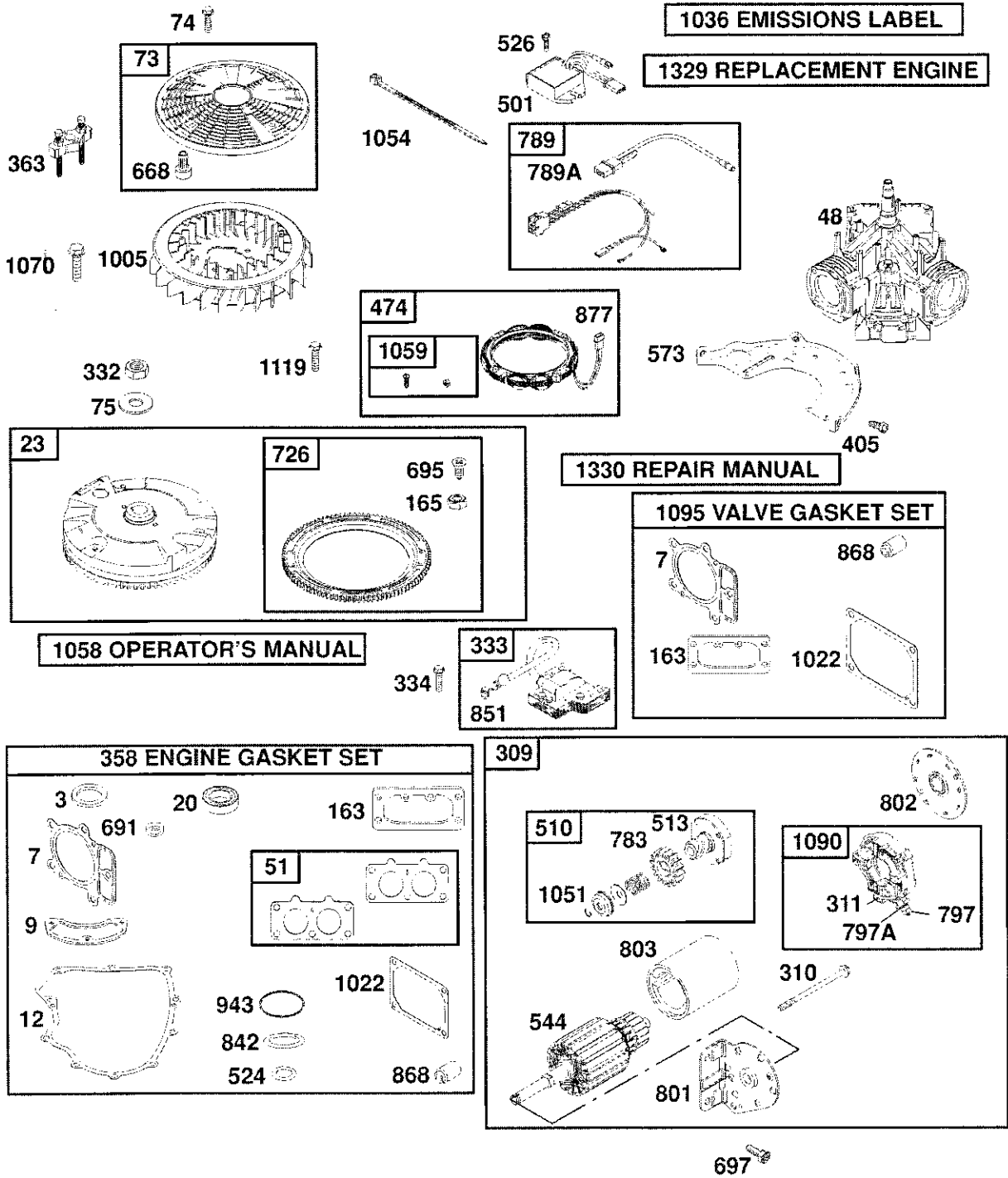
**TRACTOR - - MODEL NUMBER 917. 256960**  
**BRIGGS AND STRATTON-MODEL NUMBER 44P777, TYPE NUMBER 0884-E1**



**TRACTOR - - MODEL NUMBER 917.256960  
BRIGGS AND STRATTON-MODEL NUMBER 44P777, TYPE NUMBER 0884-E1**



**TRACTOR -- MODEL NUMBER 917.256960  
BRIGGS AND STRATTON-MODEL NUMBER 44P777, TYPE NUMBER 0884-E1**



**TRACTOR - - MODEL NUMBER 917.256960  
BRIGGS AND STRATTON-MODEL NUMBER 44P777, TYPE NUMBER 0884-E1**

<b>KEY NO.</b>	<b>PART NO.</b>	<b>DESCRIPTION</b>	<b>KEY NO.</b>	<b>PART NO.</b>	<b>DESCRIPTION</b>
1	699753	Cylinder Assembly	117	792296	Jet-Main (Left, Standard)
2	499585	Kit-Bushing/Seal (Magneto Side)	117A	842627	Jet-Main (Right, Standard)
3	391086s	•Seal-Oil (Magneto Side)	118	699457	Jet-Main (Right, High Altitude)
4	699747	Sump-Engine	118A	699733	Jet-Main (Left, High Altitude)
5	792299	Head-Cylinder (Cylinder 1)	121	792455	Kit-Carburetor Overhaul
5A	792300	Head-Cylinder (Cylinder 2)	125	792295	Carburetor
7	693997	•+Gasket-Cylinder Head	130	690993	Valve-Throttle
8	792185	Breather Assembly	131	499805	Kit-Throttle Shaft
9	690937	•Gasket-Breather	133	699724	Float-Carburetor
10	691108	Screw (Breather Assembly)	135	699729	Tube-Fuel Transfer
11	792184	Tube-Breather	137	690994	Ø‡Gasket-Float Bowl
12	697227	•Gasket-Crankcase	141	699722	Kit-Choke Shaft
13	791130	Screw (Cylinder Head)	142	699726	Nozzle-Carburetor
15	690946	Plug-Oil Drain	146	690979	Key-Timing
15A	691680	Plug-Oil Drain	150	690995	Ø‡Gasket-Nozzle
16	790132	Crankshaft	163	691001	•+Gasket-Air Cleaner
20	791892	•Seal-Oil (PTO Side)	165	693148	Nut (Ring Gear)
22	694966	Screw (Crankcase Cover)	187A	791766	Line-Fuel (Cut to Required Length)
23	691053	Flywheel	188	691108	Screw (Control Bracket)
24	222698s	Key-Flywheel	192	690083	Adjuster-Rocker Arm
25	792117	Piston Assembly (Standard)	209	793340	Spring-Governor
	792144	Piston Assembly (.020" Oversize)	211	691019	Spring-Governed Idle
26	792026	Ring Set (Standard)	212	695238	Link-Governor
	792073	Ring Set (.020" Oversize)	213	691021	Bracket-Choke Control
27	690975	Lock-Piston Pin	216	691022	Link-Choke
28	690229	Pin-Piston (Standard)	219	793338	Gear-Governor
29	699699	Rod-Connecting (Standard)	220	690412	Washer (Governor Gear)
32	690976	Screw (Connecting Rod)	222	698761	Bracket-Control
33	697576	Valve-Exhaust	227	792492	Lever-Governor Control
34	792200	Valve-Intake	231	690718	Screw (Choke Valve)
35	694865	Spring-Valve (Intake)	240	695666	Filter-Fuel
36	694865	Spring-Valve (Exhaust)	250	690957	Retainer-Breather
42	499586	Keeper-Valve	252	690956	Collector-Oil
45	690977	Tappet-Valve	265	691024	Clamp-Casing
46	792555	Camshaft	267	695134	Screw (Casing Clamp)
48	698173	Short Block	276	695410	ØWasher-Sealing
50	695241	Manifold-Intake	278	792651	Washer (Governor Control Lever)
51	791677	• ‡Gasket-Intake	287	691108	Screw (Dipstick/Tube Assembly)
53	690951	Stud (Carburetor)	304	792301	Housing-Blower
54	699816	Screw (Intake Manifold)	305	691005	Screw (Blower Housing)
73	494439	Screen-Rotating	305A	790690	Screw (Blower Housing)
74	698425	Screw (Rotating Screen)	309	499521	Motor-Starter
75	691056	Washer (Flywheel)	310	691263	Screw (Starter Motor)
89	91488	Plug-Oil	311	497608	Brush Set
95	690718	Screw (Throttle Valve)	332	691059	Nut (Flywheel)
98	699721	Kit-Idle Speed	333	691060	Armature-Magneto
104	694918	ØPin-Float Hinge	334	691061	Screw (Magneto Armature)
105	698537	ØValve-Float Needle	337	491055s	Spark Plug
108	699723	Valve-Choke	358	694012	Gasket Set-Engine
			363	19203	Puller-Flywheel
			383	19374s	Wrench-Spark Plug

**TRACTOR - - MODEL NUMBER 917.256960**  
**BRIGGS AND STRATTON-MODEL NUMBER 44P777, TYPE NUMBER 0884-E1**

KEY NO.	PART NO.	DESCRIPTION	KEY NO.	PART NO.	DESCRIPTION
385	691108	Screw (Fuel Pump)	842	691031	•Seal-O Ring (Dipstick)
387	808656	Pump-Fuel	847	499602	Assembly-Dipstick/Tube
404	690442	Washer (Governor Crank)	851	493880s	Terminal-Spark Plug
405	697820	Screw (Back Plate)	865	691012	Cover-Air Guide (Cylinder 1)
415	690283	Plug	865A	793205	Cover-Air Guide (Cylinder 2)
418	690999	Plate-Carburetor	865B	792286	Cover-Air Guide
431	792297	Elbow-Intake	868	690968	•+Seal-Valve
445	792105	Filter-Air Cleaner Cartridge	877	399916	Wire/Connector-Alternator
447	691003	Screw (Air Guide Cover)	914	691127	Screw (Rocker Arm Cover)
447A	691108	Screw (Air Guide Cover)	918	793147	Hose-Vacuum
467	790697	Knob-Air Cleaner	929	695239	Screw (Choke Control Bracket)
474	696458	Alternator	943	690589	•Seal-O Ring (Oil Pump Cover)
501	691185	Regulator	947	841546	Solenoid-Fuel
505	691029	Nut (Governor Control Lever)	965	499613	Cover-Oil Pump
510	696541	Drive-Starter	967	792303	Filter-Pre Cleaner
513	692024	Clutch-Drive	968	792289	Cover-Air Cleaner
523	691036	Dipstick	975	791232	Bowl-Float
524	691032	•Seal-O Ring (Dipstick Tube)	977	499812	Gasket Set-Carburetor
525	691037	Tube-Dipstick	987	691000	Ø‡Seal-Throttle Shaft
526	691108	Screw (Regulator)	1005	791236	Fan-Flywheel
544		Armature-Starter (Serviced by 499521 Starter Motor Only)	1013	690954	Nipple-Oil Filter
552	690552	Bushing-Governor Crank	1017	690770	Screen-Oil Pump
552A	690553	Bushing-Governor Crank	1022	690971	•+Gasket-Rocker Cover
562	690311	Bolt (Governor Control Lever)	1023	499599	Cover-Rocker Arm (Cylinder 1)
573	790444	Plate-Back	1023A	793146	Cover-Rocker Arm (Cylinder 2)
601	691038	Clamp-Hose	1024	499054	Pump-Oil
615	698290	Retainer-Governor Shaft	1026	690981	Rod-Push (Steel)
616	691045	Crank-Governor			
617	691917	Seal-O Ring (Intake Manifold)			
633	690998	Ø‡Seal-Choke/Throttle Shaft			
635	66538s	Boot-Spark Plug			
654	690958	Nut (Carburetor)			
668	691215	Spacer			
672	690234	Ø‡Gasket-Carburetor Plate			
691	790574	•Seal-Governor Shaft			
695	693149	Screw (Ring Gear)			
697	690372	Screw (Drive Cap)			
703	691010	Clip			
718	690959	Pin-Locating			
726	499612	Gear-Ring			
741	690980	Gear-Timing			
742	690328	Retainer-E Ring			
750	696999	Screw (Oil Pump Cover)			
783	695708	Gear-Pinion			
788	793145	Bracket-Fuel Pump			
789	696576	Harness-Wiring			
789A	790544	Harness-Wiring			
797	691029	Nut (Brush Retainer)			
797A	693167	Nut (Brush Retainer)			
798	697890	Screw (Rocker Arm)			
801	691283	Cap-Drive			
802	691286	Cap-End			
803		Housing-Starter (Serviced by 499521 Starter Motor Only)			



**TRACTOR - - MODEL NUMBER 917.256960**  
**BRIGGS AND STRATTON-MODEL NUMBER 44P777, TYPE NUMBER 0884-E1**

**KEY PART**

NO.	PART NO.	DESCRIPTION
1026A	690982	Rod-Push (Aluminum)
1027	696854	Filter-Oil
1029	690972	Arm-Rocker
1035	691042	Shaft-Pump
1036		Label-Emissions (Available from an authorized Briggs & Stratton Service Dealer)
1040	791237	Plate-Trim
1051	691265	Ring-Retaining
1054	280275	Cable-Tie
1058	MS3373	Operator's Manual
1059	698516	Kit-Screw/Washer
1070	791680	Screw (Flywheel Fan)
1090	691293	Retainer-Brush
1095	694013	Set-Valve Gasket
1100	791959	Pivot-Rocker Arm
1119	691183	Screw (Alternator)
1123	841653	ØSeal-O Ring (Solenoid Retainer)
1124	690988	Ø‡Seal-O Ring (Fuel Transfer Tube)
1126	690991	Screw (Fuel Transfer Tube)
1127	695407	Screw (Float Bowl)
1128	690990	Screw (Carburetor Nozzle)
1329	44P777	Replacement Engine (If original engine is equipped with a six pin wiring harness transfer to the replacement engine.)
1330	273521	Repair Manual

- Included in Engine Gasket Set, Key. No. 358
- Ø Included in Carburetor Overhaul Kit, Key. No. 121
- ‡ Included in Carburetor Gasket Set, Key. No. 977
- + Included in Valve Overhaul Kit, Key. No. 1095

NOTE: All component dimensions given in U.S. inches  
 1 inch = 25.4 mm

## SERVICE NOTES

**SERVICE NOTES**

## LIMITED WARRANTY ON CRAFTSMAN TRACTOR AND BATTERY

### 2-YEAR ON TRACTOR

When used and maintained according to the operator's manual instructions, if this tractor fails due to a defect in material or workmanship within two years from the date of purchase, call 1-800-4-MY-HOME® to arrange for free repair.

During the first 30 days of purchase, there will be no charge to service the product in your home. For your convenience, in-home warranty service will still be available after the first 30 days of purchase, but a trip charge will apply. This charge will be waived if you transport the product to an authorized Craftsman drop-off location. For the nearest authorized location, call 1-800-4-MY-HOME®.

Tractor warranty coverage does not include:

- Expendable items which become worn during normal use, including but not limited to blades, spark plugs, air cleaners, belts, and oil filters.
- Standard maintenance servicing, oil changes, or tune-ups.
- Tire replacement or repair caused by punctures from outside objects, such as nails, thorns, stumps, or glass.
- Repairs necessary because of operator abuse, including but not limited to damage caused by towing objects beyond the capability of the tractor, impacting objects that bend the frame or crankshaft, or over-speeding the engine.
- Repairs necessary because of operator negligence, including but not limited to electrical and mechanical damage caused by improper storage, failure to use the proper grade and amount of engine oil, failure to keep the deck clear of flammable debris, or failure to maintain the equipment according to the instructions contained in the operator's manual.
- Engine (fuel system) cleaning or repairs necessary because of fuel determined to be contaminated or oxidized (stale). In general, fuel should be used within 30 days of its purchase date.
- Normal deterioration and wear of the exterior finishes, or product label replacement.
- The tractor battery, which is covered for only 90 days as stated below.

### 90-DAYS ON BATTERY

For ninety (90) days from the date of purchase, if the battery included with this tractor is defective in material or workmanship (our testing proves it will not hold a charge), it will be replaced free of charge.

During the first 30 days of purchase, there will be no charges to replace the battery in your home. For your convenience, in-home warranty service will still be available after the first 30 days of purchase, but a trip charge will apply. This charge will be waived if you transport the battery to an authorized Craftsman drop-off location. For the nearest authorized location, call 1-800-4-MY-HOME®.

All tractor and battery warranty coverage is void if this product is used for commercial or rental purposes.

This warranty applies only while this product is within the United States.

This warranty gives you specific legal rights, and you may also have other rights, which vary, from state to state.

**Sears, Roebuck and Co., Dept. 817WA, Hoffman Estates, IL 60179**

