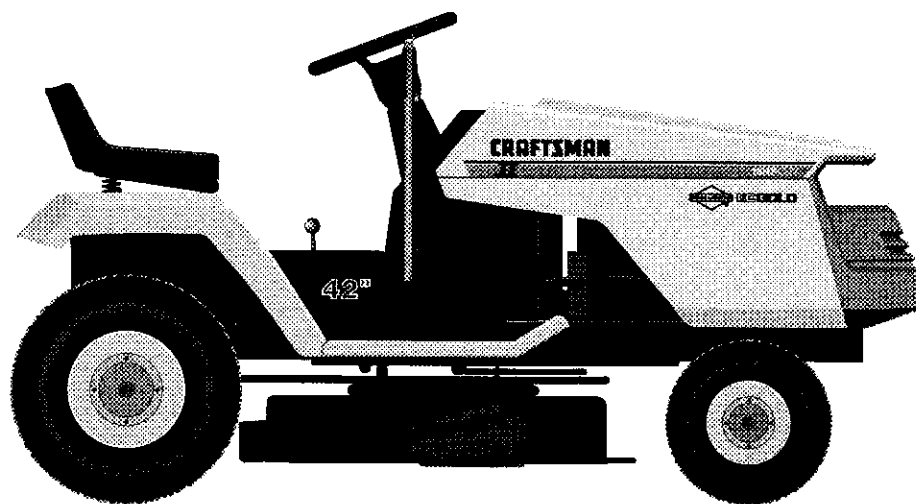


SEARS

CRAFTSMAN®

MODEL NUMBER 917.257571 OWNER'S MANUAL

- **Assembly**
- **Operation**
- **Customer Responsibilities**
- **Service and Adjustments**
- **Repair Parts**

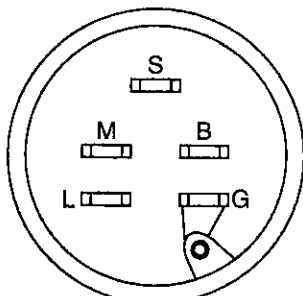
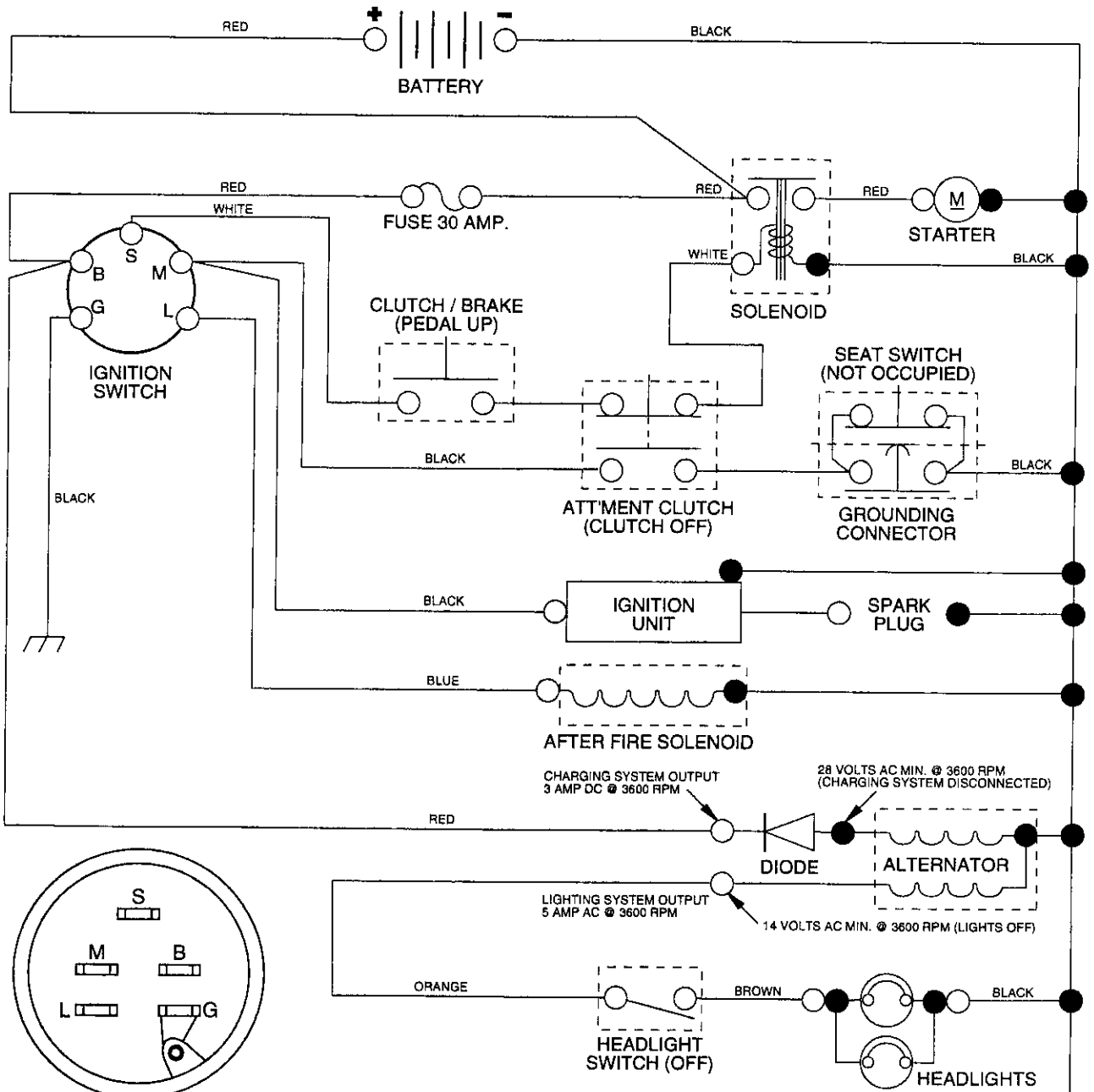


CAUTION: Read and follow all safety rules and instructions before operating this equipment.

Sears, Roebuck and Co., Hoffman Estates, IL 60179 U.S.A.

15 HP 42" TRACTOR - - MODEL NUMBER 917.257571

SCHEMATIC



IGNITION SWITCH

POSITION	CIRCUIT
OFF	M + G
ON	B + L
START	B + S + L

WIRING INSULATED CLIPS

NOTE: IF WIRING INSULATED CLIPS WERE REMOVED FOR SERVICING OF UNIT, THEY SHOULD BE REPLACED TO PROPERLY SECURE YOUR WIRING

NOTE

YOUR TRACTOR IS EQUIPPED WITH A SPECIAL ALTERNATOR SYSTEM. THE LIGHTS ARE NOT CONNECTED TO THE BATTERY, BUT HAVE THEIR OWN ELECTRICAL SOURCE. BECAUSE OF THIS, THE BRIGHTNESS OF THE LIGHTS WILL CHANGE WITH ENGINE SPEED. AT IDLE THE LIGHTS WILL DIM. AS THE ENGINE IS SPEEDED UP, THE LIGHTS WILL BECOME THEIR BRIGHTEST.

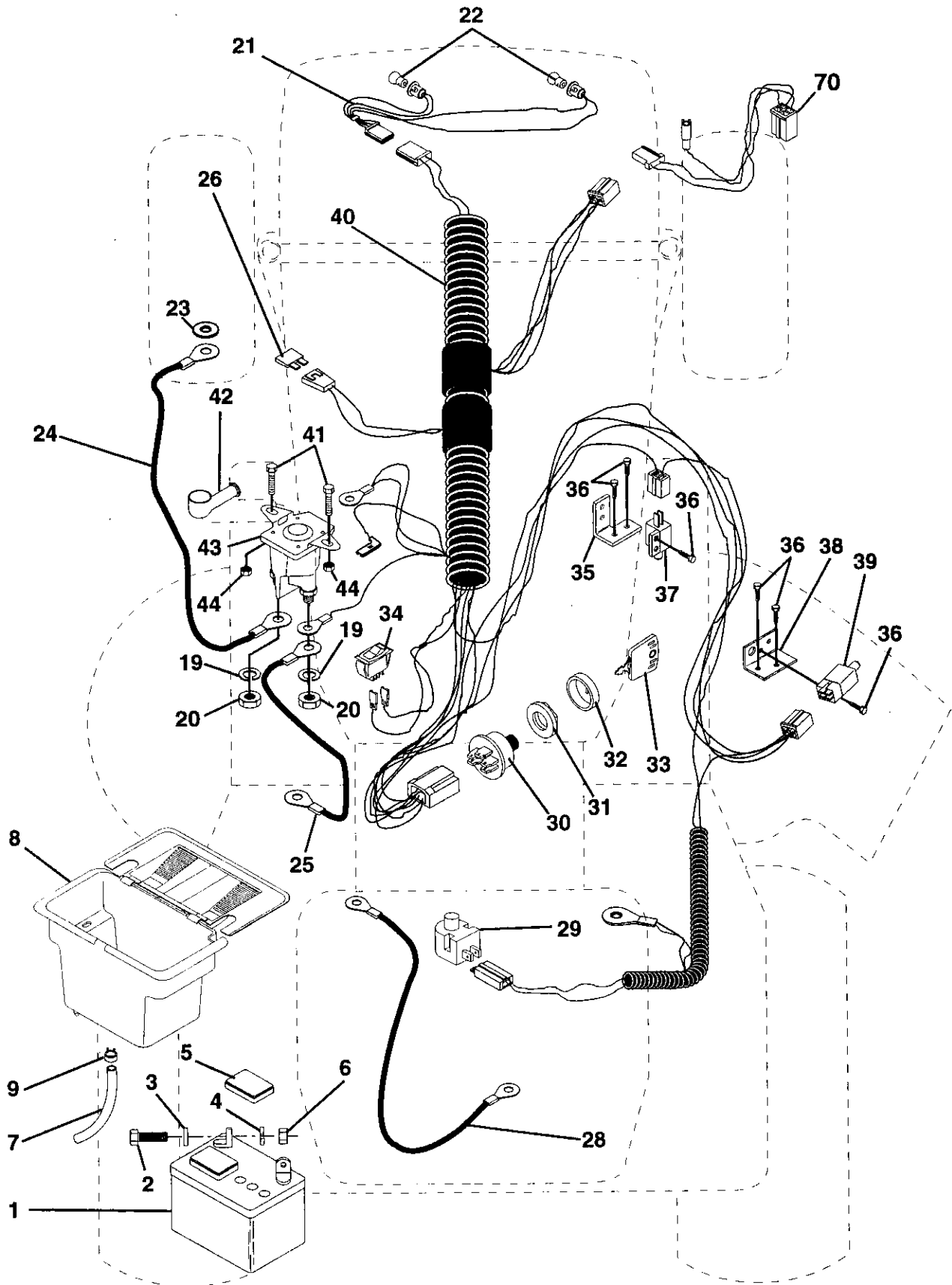
● NON-REMOVABLE CONNECTIONS

○ REMOVABLE CONNECTIONS

REPAIR PARTS

15 HP 42" TRACTOR -- MODEL NUMBER 917.257571

ELECTRICAL



REPAIR PARTS

15 HP 42" TRACTOR - - MODEL NUMBER 917.257571

ELECTRICAL

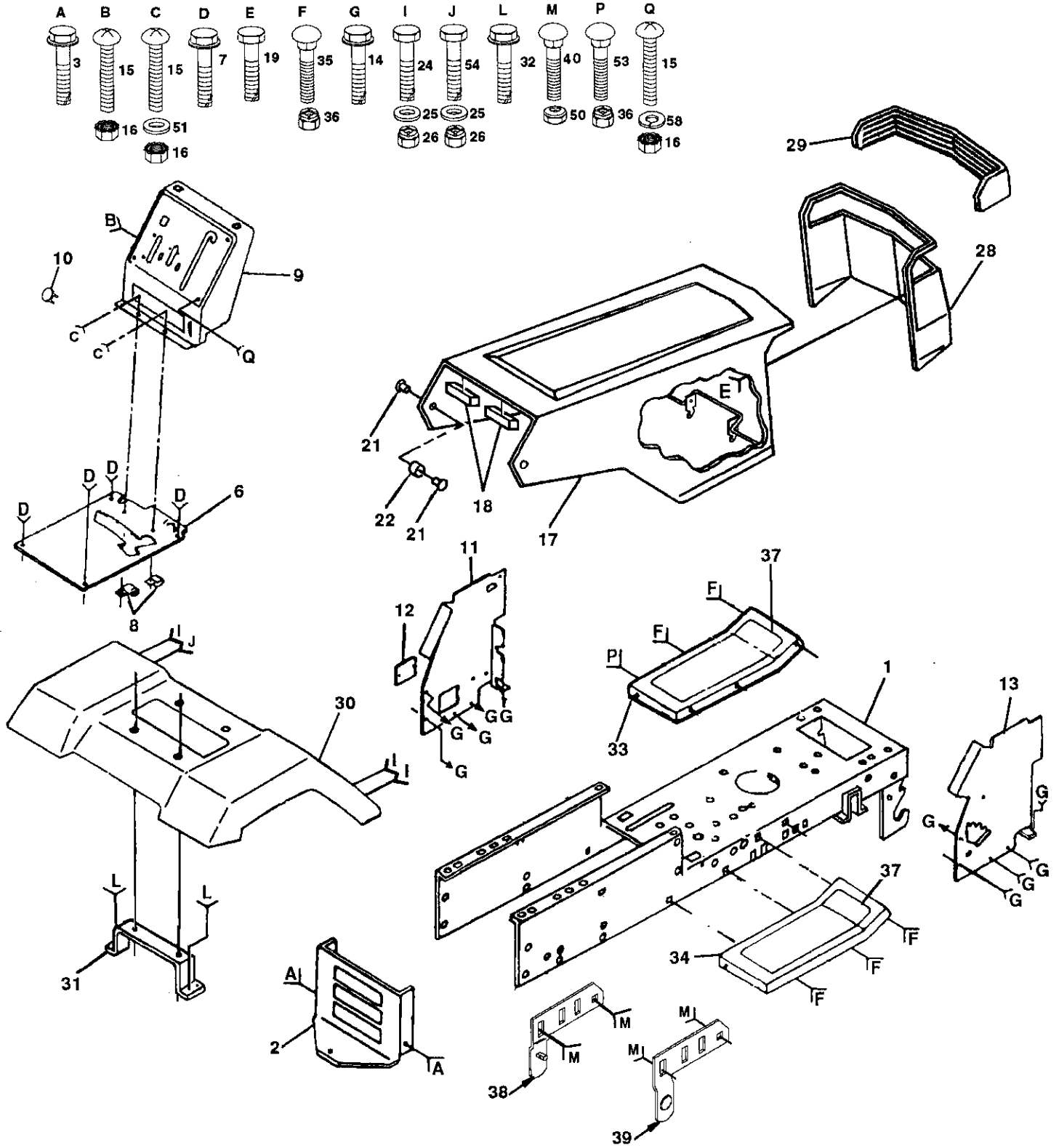
KEY NO.	PART NO.	DESCRIPTION
1	121265X	Battery 12 VOLT 25 AMP
2	74760412	Bolt Hex Hd 1/4-20unc X 3/4
3	19091016	Washer 9/32 X 5/8 X 16 Ga
4	10040400	Washer Lock Hvy Helical 1/4
5	121264X	Caps Battery 20/25/30 AMP
6	73220400	Nut Fin Hex 1/4-20 Unc
7	109238X	Tube Plastic 12"
8	129965	Case Battery Hng Mech W/lid
9	109596X	Clamp Hose Olive
19	10090400	Washer Lock 1/4
20	73350400	Nut Jam Hex 1/4-20 Unc
21	136850	Harness Asm Light W/4152j
22	4152J	Bulb Light #1156
23	11150400	Washer Lock Internal Tooth 1/4
24	4799J	Cable Battery 6 Ga 11" red
25	132202	Cable Battery 6 Ga 43" red
26	108824X	Fuse 30 AMP Auto Green
28	4207J	Cable Ground 6 Ga 12" black
29	121305X	Switch Plunger Nc Gray
30	140399	Switch Ign 5 Term Wo/wash/nut
31	140400	Nut Ignition
32	123620X	Cover Sw Key Blk 1 25 Text SLT
33	140403	Key Ign Molded Craftsman
34	110712X	Switch Light Blk Blk Red
35	140336	Bracket Switch Interlock
36	17021008	Screw Tap Hex #10-24unc X 1/2
37	104445X	Switch Intlk Clutch Red 2 Term
38	108236X	Bracket Switch Clutch
39	109553X	Switch Intlk Clutch Red 4 Term
40	140414	Harness Ign Bs Dash Headlights
41	71110408	Bolt Blk. Fin Hex 1/4-20 Unc x 1/2
42	131563	Cover Terminal Red
43	138406	Solenoid
44	73640400	Nut Keps Hex 1/4-20 Unc

NOTE: All component dimensions give in U.S. inches
1 inch = 25.4 mm

REPAIR PARTS

15 HP 42" TRACTOR -- MODEL NUMBER 917.257571

CHASSIS AND ENCLOSURES



REPAIR PARTS

15 HP 42" TRACTOR - - MODEL NUMBER 917.257571

CHASSIS AND ENCLOSURES

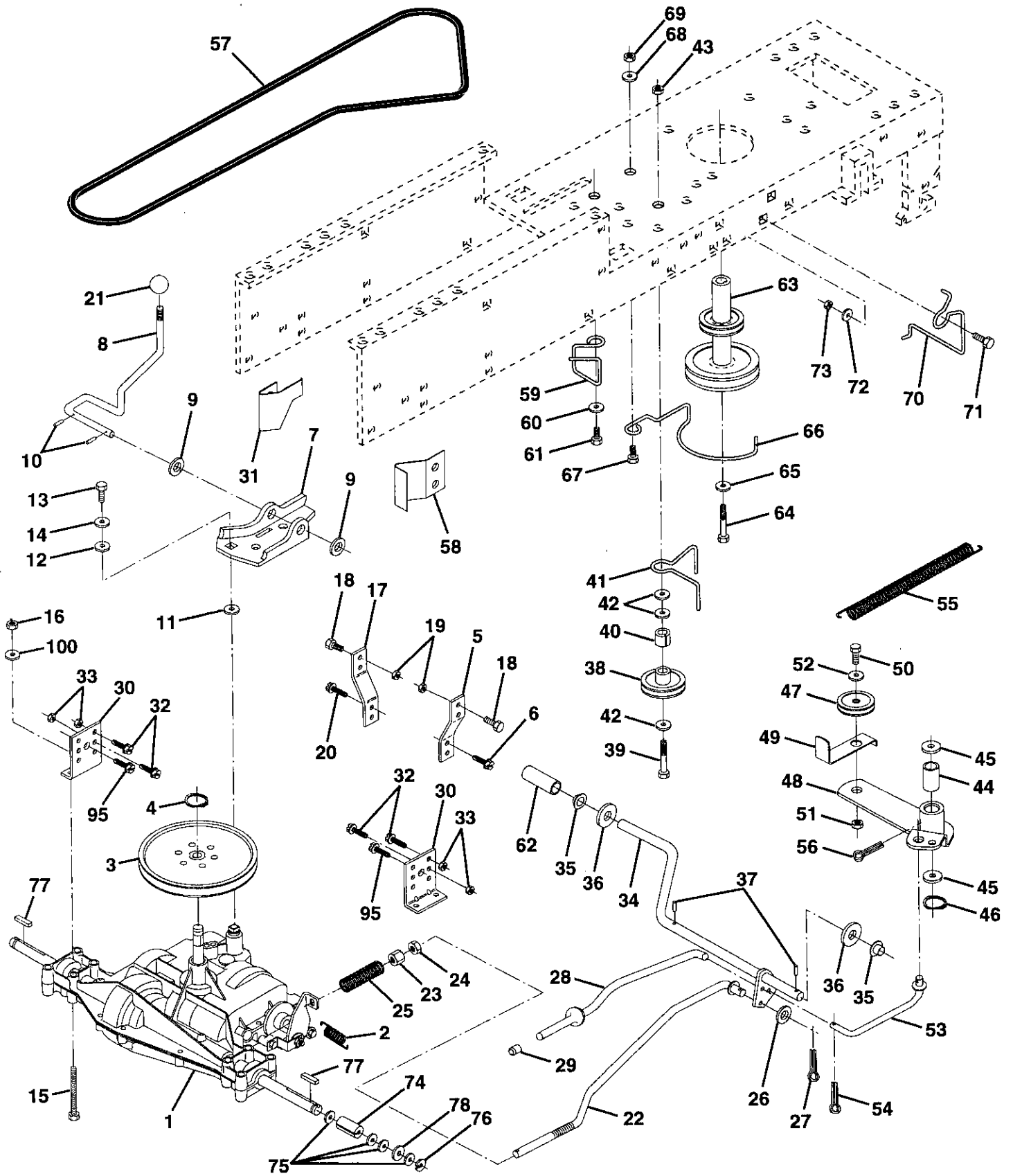
KEY NO.	PART NO.	DESCRIPTION
1	140341	Chassis Weldment 12ga 38/42
2	140356	Drawbar Stretch
3	17490612	Screw Thdrol 3/8-16x3/4 Ty-tt
6	140290X016	Saddle Silkscreen 6sp Sym S/S NONS
7	17490612	Screw Thdrol 3/8-16x3/4 Ty-tt
8	2751R	Clip Line Fuel 13/32 Mtg Hole
9	140637X013	Dash Silkscreened Sears Eng/Sy
10	5479J	Plug Button Blk 359 Dia
11	122795X	Panel Pnt Dash Lh
12	121794X	Cover Access Black Square
13	124031X012	Panel Silkscr Dash Rh Weldment
14	17490608	Screw Thdrol 3/8-16x1/2 Ty-tt
15	74180512	Screw Mach Trhd 5/16-18uncx3/4
16	STD541431	Nut Keps 5/16-18 Unc
17	131445X417	Hood Asm Pnt Weld Silver Powde
18	126938X	Bumper Hood
19	17521310	Screw Sltd Hex Hd w/Pl Washer
21	122933X	Rivet Ratchet Nylon
22	124479X	Washer Nylon Blk 28x 75x 19
24	STD523707	Bolt Fin Hex 3/8-16unc X 3/4
25	19131312	Washer 13/32 X 13/16 X 12 Ga
26	STD541437	Nut Crownlock 3/8-16 Unc
28	140135	Grille Grey
29	124029X	Lens Headlight Bar Clear
30	109872X417	Fender Pnt
31	136619	Bracket Pnt Fender
32	17490612	Screw Thdrol 3/8-16x3/4 Ty-tt
33	105465X417	Footrest Pnt Lh Perf (silver)
34	105464X417	Footrest Pnt Rh Perf (silver)
35	STD533707	Bolt Rdhd Sht Sqnk 3/8-16 X3/4
36	STD541437	Nut Crownlock 3/8-16 Unc
37	105466X	Pad Footrest Rbr Sq Craftsman
38	134774	Bracket, Asm. Pivot, L.H., Mower Rear
39	134775	Bracket, Asm. Pivot, R.H., Mower Rear
40	STD533710	Bolt, Carriage 3/8-16 x 1
50	STD541437	Locknut Hex W/Washer 3/8-16
51	STD551025	Washer 13/32 x 3/4 x 16 Ga.
53	STD533710	Bolt Carriage 3/8-16 x 1
54	STD523708	Bolt Hex 3/8-16 x 7/8
58	11050600	Washer, Lock Ext. Tooth 3/8

NOTE: All component dimensions given in U.S. inches
1 inch = 25.4 mm

REPAIR PARTS

15 HP 42" TRACTOR - - MODEL NUMBER 917.257571

DRIVE



REPAIR PARTS

15 HP 42" TRACTOR - - MODEL NUMBER 917.257571

DRIVE

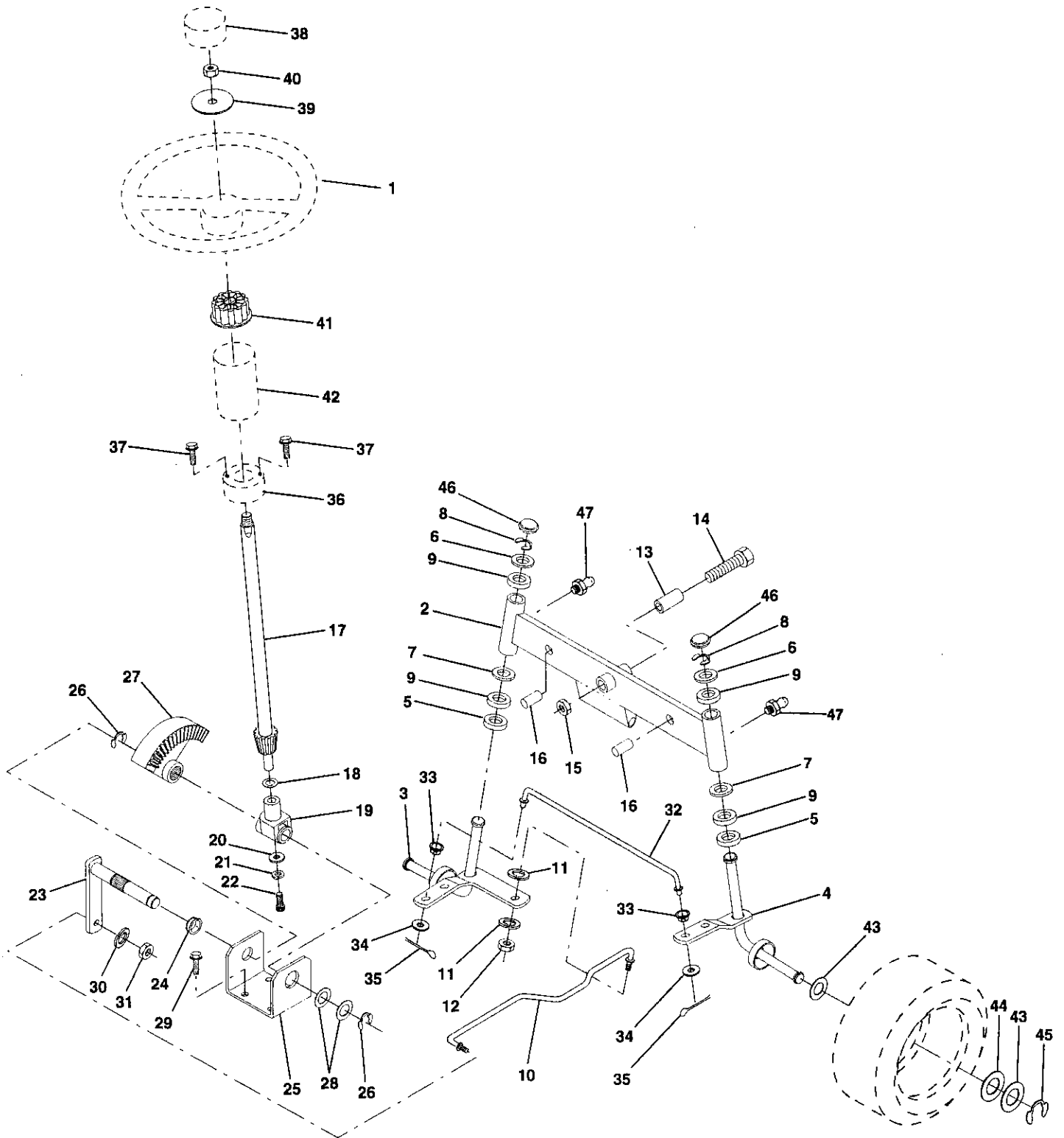
KEY NO.	PART NO.	DESCRIPTION	KEY NO.	PART NO.	DESCRIPTION
1	142603	Transaxle 6sp Std Dana, Model No. 4360-79	41	109070X	Keeper Belt Retainer
2	110422X	Spring iReturn Brake T/a Zinc	42	19131312	Washer 13/32 X 13/16 X 12 Ga
3	123666X	Pulley Transaxle Alum	43	STD541437	Nut Crownlock 3/8-16 Unc
4	12000028	Ring Retainer # 5100-62	44	105706X	Bearing Nyl 503 X 628 X 1 25
5	121520X	Strap Pnt Torque 30 Deg Blk	45	110812X	Washer Hardened
6	17490512	Screw Thdrol 5/16-18 X 3/4 Tyt	46	12000039	Ring Klip #t5304-50
7	130802	Plate Pnt Rod Shift T/a (blk)	47	127783	Pulley Idler V Groove Plastic
8	131679	Rod Shifter Blk (dana)	48	123789X	Bellcrank Asm
9	19151216	Washer 15/32 X 3/4 X 16ga	49	123205X	Retainer Belt Style Spring
10	STD561210	Pin Cotter 1/8 X 1 Cad	50	STD523715	Bolt Hex Hd 3/8-16unc X 1-1/2
11	105701X	Washer Plate Shf 388 Sq Hole	51	STD541437	Nut Crownlock 3/8-16 Unc
12	19091210	Washer 9/32 X 3/4 X 10 Ga	52	STD551037	Washer 13/32 X 13/16 X 16 Ga
13	71040412	Bolt Fin Hex 1/4-28unfx3/4 Gr8	53	105710X	Link Clutch 7 66
14	STD551125	Washer Lock Hvy Helical 1/4	54	STD561210	Pin Cotter 1/8 X 3/4 Cad
15	STD523727	Bolt Fin Hex 3/8-16unc X 2-3/4	55	105709X	Spring Return Clutch 6 75
16	STD541437	Nut Crownlock 3/8-16 Unc	56	STD561210	Pin Cotter 1/8 X 3/4 Cad
17	121520X	Strap Pnt Torque 30 Deg Blk	57	130801	V-belt Ground Drive 95.25
18	STD523707	Bolt Fin Hex 3/8-16unc X 3/4	58	127274X	Keeper Belt Rh Lt Pnt/zinc 16g
19	STD541437	Nut Crownlock 3/8-16 Unc	59	140312	Retainer Belt Chassis Lh Zinc
20	17490512	Screw Thdrol 5/16-18 X 3/4 Tyt	60	19131312	Washer 13/32 X 13/16 X 12 Ga
21	106933X	Knob Rd 1/2-13 Plstc Thds Blk	61	17490612	Screw Thdrol 3/8-16x3/4 Ty-tt
22	130804	Rod Brake Lt	62	8883R	Cover Pedal Blk Std
23	STD541437	Nut Lock Hex W/wsh 3/8-16unc	63	140186	Pulley Engine
24	STD541237	Nut Hex Jam 3/8-16 Unc	64	71170764	Bolt Finhex 7/16-20 x 4 g5
25	106888X	Spring Rod Brake 2 00 Zinc	65	STD551143	Washer Lock Hvy Hlcl Spr 7/16
26	STD551037	Washer 13/32 X 13/16 X 16 Ga	66	129921	Keeper Belt Engine Lh Lt
27	STD561210	Pin Cotter 1/8 X 3/4 Cad	67	STD523710	Bolt Fin Hex 3/8-16unc X 1
28	140448	Rod Brake Parking Lt	68	19131312	Washer 13/32 X 13/16 X 12 Ga
29	124236X	Cap Parking Brake Red	69	STD541437	Nut Crownlock 3/8-16 Unc
30	130807	Bracket Transmission	70	134683	Guide Belt Dr Mower Rh
31	127275X	Keeper Belt Lh Lt 14 Ga	71	STD523710	Bolt Fin Hex 3/8-16unc X 1
32	STD523710	Bolt Fin Hex 3/8-16unc X 1	72	19132012	Washer 13/32 X 1-1/4 X 12 Ga
33	STD541437	Nut Crownlock 3/8-16 Unc	73	STD541437	Nut Crownlock 3/8-16 Unc
34	122424X	Shaft Asm Pedal Foot 1 930	74	109502X	Spacer Split .80x1.94
35	120183X	Bearing Nylon Blk 629 Id	75	121749X	Washer 25/32 X 1 1/4 X 16 Ga
36	STD551062	Washer 21/32 X 1 X 16 Ga	76	STD581075	Ring E #5133-75
37	STD571810	Pin Roll 3/16 X 1"	77	123583X	Key Square 2 0 X 1845/ 1865
38	123674X	Pulley Idler Flat	78	121748X	Washer 25/32 X 1 5/8 X 16ga
39	STD523727	Bolt Fin Hex 3/8-16unc X 2-3/4	95	17490612	Screw Thdrol 3/8-16 x 3/4 Ty Tt
40	4470J	Spacer Split 395 X 59 Bzp	100	19111216	Washer 11/32 x 3/4 x 16 Ga.

NOTE: All component dimensions given in U.S. inches
1 inch = 25.4 mm

REPAIR PARTS

15 HP 42" TRACTOR -- MODEL NUMBER 917.257571

STEERING ASSEMBLY



REPAIR PARTS

15 HP 42" TRACTOR - - MODEL NUMBER 917.257571

STEERING ASSEMBLY

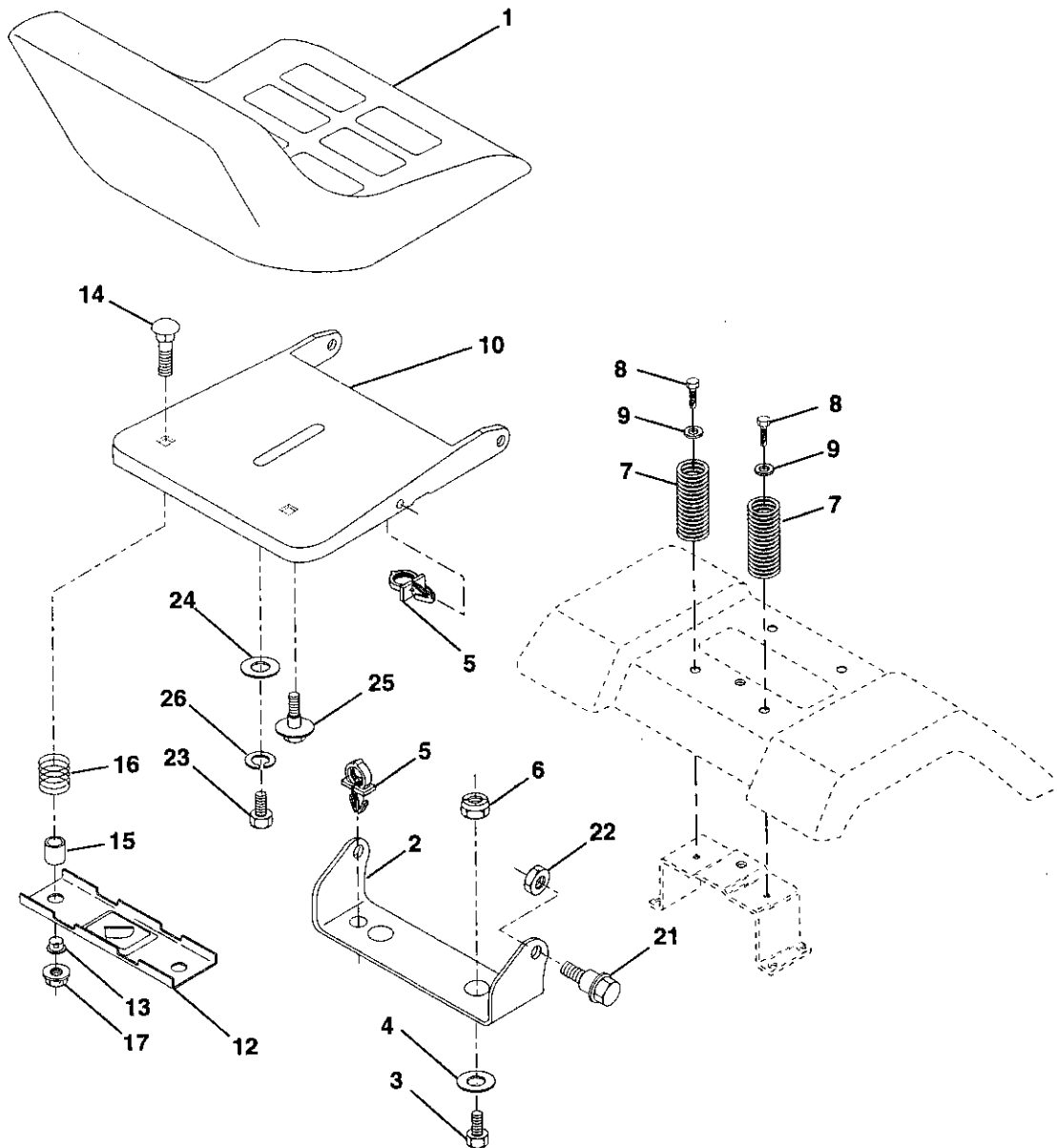
KEY NO.	PART NO.	DESCRIPTION
1	139768	Wheel Steering Std Black
2	142033	Axle Asm Front
3	135227	Spindle Asm Lh
4	135228	Spindle Asm Rh
5	6266H	Bearing Race Thrust Harden
6	121748X	Washer 25/32 X 1 5/8 X 16ga
7	19272016	Washer 27/32 X 1 1/4 X 16 Ga
8	12000029	Ring Klip #t5304-75
9	3366R	Bearing Col Strg Blk
10	130468	Link Drag Sol Ball Jt 20 064
11	STD551137	Washer Lock Hvy Hlcl Spr 3/8
12	73610600	Nut Fin Hex 3/8-24 Unf
13	110438X	Spacer Bearing Axle Front
14	74011056	Bolt Hex 5/8-11 Unc X 3-1/2
15	73901000	Locknut Flange 5/8-11 Unc
16	132624	Pin Axle 5/8 X 1 55/1 54 Lg
17	132614	Shaft Asm Strg 5/8 X 15 19 Lt
18	57079	Washer Thrust 515x 750x 033
19	124035X	Support Shaft
20	126684X	Washer Shim 1/4 X 5/8 X 062
21	STD551125	Washer Lock Hvy Helical 1/4
22	71070410	Screw Hex Socket 1/4-20 X 5/8
23	127501	Shaft Asm Pittman
24	109816X	Nyliner Snap In
25	124036X	Bracket Steering
26	12000029	Ring Klip #t5304-75
27	136874	Gear Sector
28	6266H	Bearing Race Thrust Harden
29	17490612	Screw Thdrol 3/8-16x3/4 Ty-tt
30	STD551137	Washer Lock Hvy Hlcl Spr 3/8
31	73610600	Nut Fin Hex 3/8-24 Unf
32	130465	Rod Tie Wire Form 19 75 Mech
33	126847X	Bushing Rod Tie Blk Lt
34	19131416	Washer 13/32 X 7/8 X 16ga
35	STD561210	Pin Cotter 1/8 X 3/4 Cad
36	132196	Bushing Strg 5/8 Id Dash
37	STD611005	Screw Slftp #10-16 X 1/2 Ty-b
38	139769	Insert Cap Strg Wheel Std Blk
39	19133808	Washer 13/32 X 2-3/8 X 8 Ga
40	STD541537	Nut Lock Center 3/8-24unf
41	104820X	Adaptor Wheel Strg 640/ 635id
42	124417X	Boot Shaft Steering
43	121749X	Washer 25/32 X 1 1/4 X 16 Ga
44	121748X	Washer 25/32 X 1 5/8 X 16ga
45	12000029	Ring Klip #t5304-75
46	121232X	Cap Spindle Fr Top Blk
47	6855M	Fitting Grease

NOTE: All component dimensions given in U.S. inches
1 inch = 25.4 mm

REPAIR PARTS

15 HP 42" TRACTOR - - MODEL NUMBER 917.257571

SEAT ASSEMBLY



KEY NO.	PART NO.	DESCRIPTION
1	140122	Seat 3350 Blk/blk Craftsman
2	140551	Bracket Pnt Pivot Seat (blk)
3	STD523707	Bolt Fin Hex 3/8-16unc X 3/4
4	19131610	Washer 13/32 X 3/4 X 10 Ga
5	140407	Clip Push In .375 x .250
6	STD541437	Nut Crownlock 3/8-16 Unc
7	124181X	Spring Seat Cprsn 2 250 Blk Zi
8	17490616	Screw Thdrol 3/8-16 X 1 Ty-tt
9	19131614	Washer 13/32 X 1 X 14 Ga
10	140552	Pan Pnt Seat (blk)
12	121246X	Bracket Pnt Mounting Switch
13	121248X	Bushing Snap Blk Nyl 50 Id

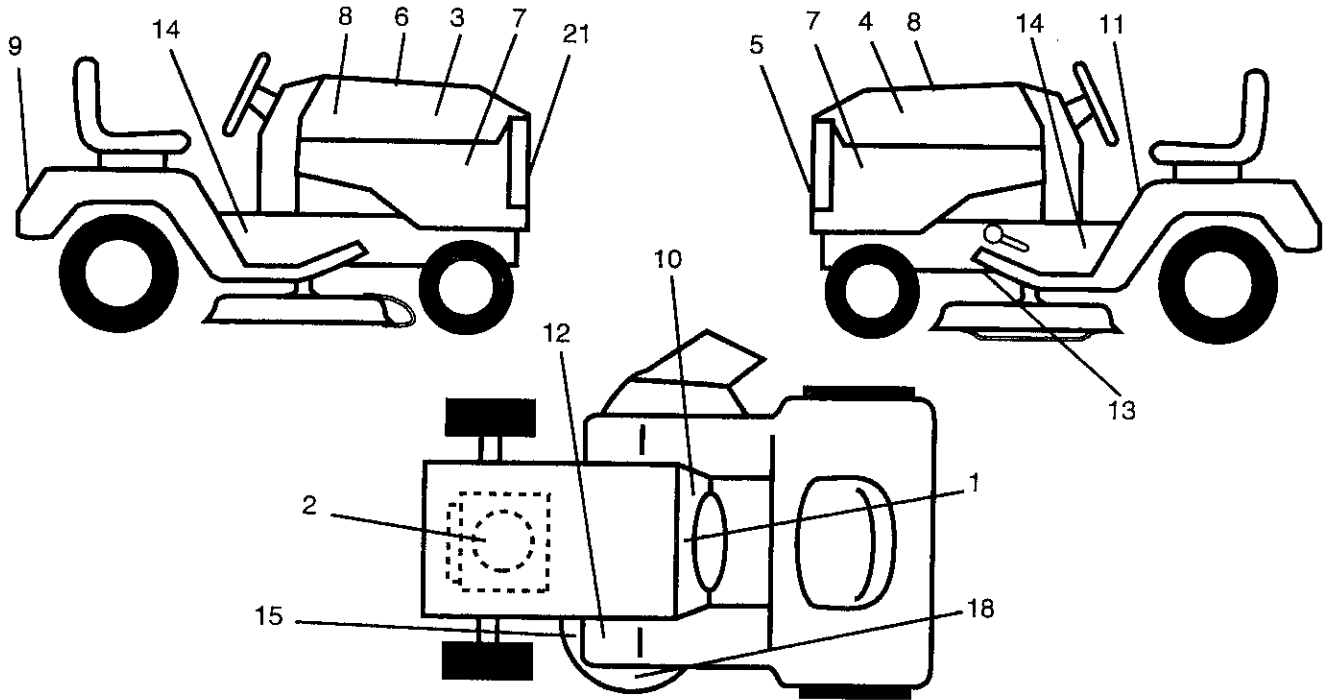
KEY NO.	PART NO.	DESCRIPTION
14	72050411	Bolt Rdhd Sht Nk 1/4-20x1-3/8
15	134300	Spacer Split 28 X 96 Zinc
16	121250X	Spring Cprsn 1 27 Blk Pnt
17	123976X	Nut Lock 1/4 Lge Flg Gr 5 Zinc
21	139888	Bolt Shoulder 5/16-18 Unc Blkz
22	STD541431	Nut Crown Lock 5/16-18
23	74780814	Bolt Fin Hex 1/2-13 X 7/8 Gr 5
24	19171912	Washer 17/32 X 1-3/16 X 12 Ga
25	127018X	Bolt Shoulder 5/16-18 X 62
26	STD551150	Washer Lock Hvy Hlcl Spr 1/2

NOTE: All component dimensions given in U.S. inches.
1 inch = 25.4 mm

REPAIR PARTS

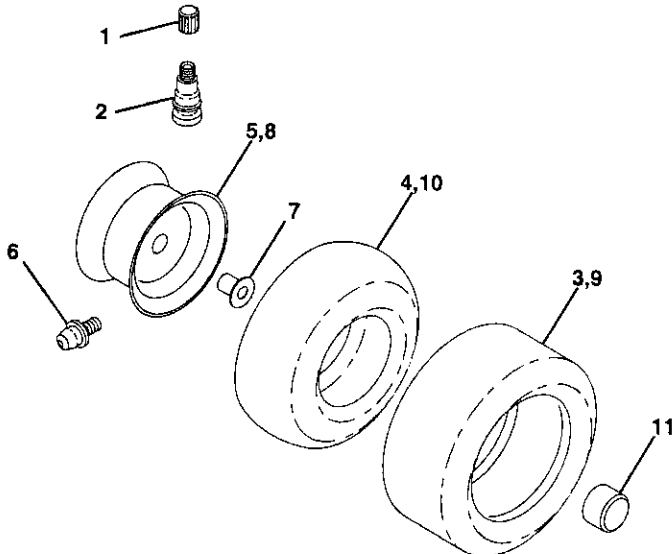
15 HP 42" TRACTOR - - MODEL NUMBER 917.257571

DECALS



KEY NO.	PART NO.	DESCRIPTION	KEY NO.	PART NO.	DESCRIPTION
1	138955	Decal Instruction Operat Eng	10	138836	Decal Dash Slope Lt
2	141130	Decal B&S 15 HP IC/G HV Craftsman	11	137537	Decal Caution English/Spanis
3	140560	Decal Hood Slope Rh Craftsman	12	4900J	Decal Clutch/brake English
4	140561	Decal Hood Slope Lh Craftsman	13	109199X	Decal V-belt Dr Sch Tractor E
5	132674	Decal Grille Lt4000 Craft Usa	14	131473	Decal Chassis 6 Sp 42"
6	133644	Decal Maint Customer Sears Dom	15	136832	Decal Mower Drive Schematic 38
7	142248	Decal Panel Side l/c Gold/blk	18	133179	Decal Mower Qc System
8	142247	Decal Insert Hood 15 Hp OHV Blk	21	131265	Decal Lightbox
9	125880X	Decal Fender Craftsman Red	--	138311	Decal Lift Handle
			--	143407	Manual, Owner's (English)
			--	143408	Manual, Owner's (Spanish)

WHEELS & TIRES



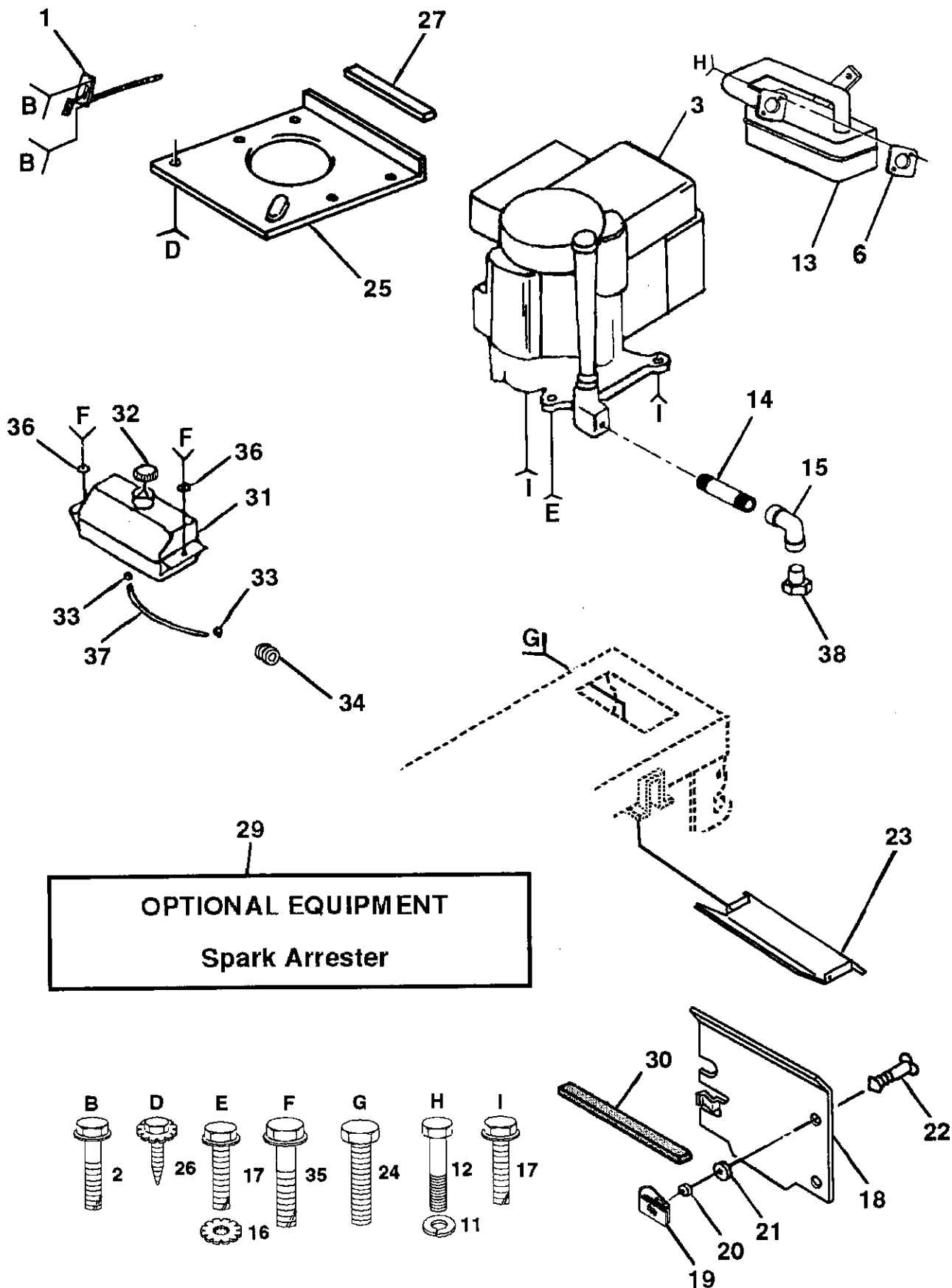
KEY NO.	PART NO.	DESCRIPTION
1	59192	Cap Value Tire
2	65139	Stem Value
3	106222X	Tire F Ts 15 X 6 0 - 6 Service
4	59904	Tube Inner Front #35060
5	106732X417	Rim Asm 6"front Silver Service
6	278H	Fitting Grease
7	9040H	Bearing Flange
8	106108X417	Rim Asm 8"rear Silver Service
9	106268X	Tire R Ts 18x9 5-8 Service
10	7152J	Tube Rear 9 5 X 8 Service
11	104757X	Cap Axle Blk 1 50 X 1 00

NOTE: All component dimensions given in U.S. inches.
1 inch = 25.4 mm

REPAIR PARTS

15 HP 42" TRACTOR -- MODEL NUMBER 917.257571

ENGINE



REPAIR PARTS

15 HP 42" TRACTOR - - MODEL NUMBER 917.257571

ENGINE

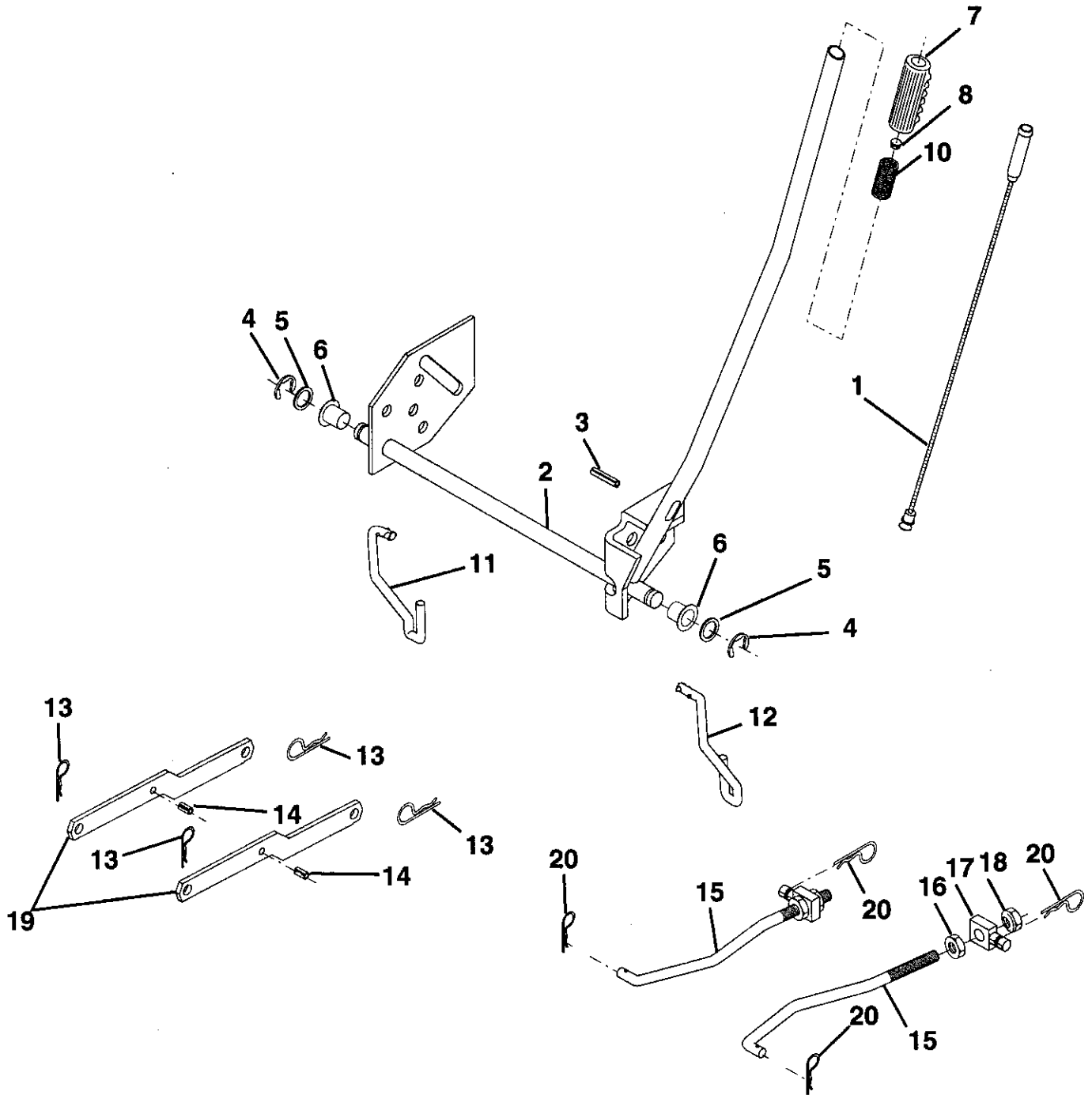
KEY NO.	PART NO.	DESCRIPTION
1	132759	Control Throt Rh Blk Pdl 15 10
2	17720410	Screw Hex Thd Cut 1/4-20x5/8 T
3	141129	Engine B&s 14hp ICQ Dual 1 Vt, Model No. 28N707, Type No. 0121-01
6	125593X	Gasket 1 313 Id Tin Plated
11	STD551131	Washer Lock Hvy Hlcl Spr 5/16
12	71070512	Screw Hexhd Cap 5/16-18x3/4
13	137352	Muffler Exhaust B&s Lt
14	13280324	Nipple Pipe 3/8 Npt X 3"
15	13200300	Elbow Std 90 Degree 3/8-18 Npt
16	STD551237	Washer Lock Ext Tooth 3/8
17	17490620	Screw Thdrol 3/8-16x1-1/4 Tytt
18	136718	Shield Pnt Heat
19	105839X	Receptacle 1/4 Turn Dacrotized
20	105838X	Retainer 1/4 Turn 365odx 222id
21	STD551025	Washer 9/32 X 5/8 X 16 Ga
22	123650X	Stud 1/4 Turn (replaces 105751
23	128953	Shield Pnt Heat Browning Grass
24	STD601005	Screw Tap Hex #10-24unc X 1/2
25	124027X	Shield Pnt Heat Hood Lt
26	17030808	Screw Spiderloc Hexhd#8x1/2 Ab
27	105037X	Strip Foam 18"
29	137180	Arrestor Spark
30	127057X	Pinch Weld Hood Black 2.00
31	109202X	Tank Fuel 1 25 Fr
32	123549X	Cap Asm Fuel W/sym Vented
33	123487X	Clamp Hose Bik
34	124028X	Bushing Snap Nyl Blk Fuel Line
35	17490412	Screw Hexwsh Thdrol 1/4-20x3/4
36	19091416	Washer 9/32 X 7/8 X 16ga
37	137040	Line Fuel 20"
38	- - -	Plug Oil Drain (Order From Engine Manufacturer)

NOTE: All component dimensions given in U.S. inches
1 inch = 25.4 mm

REPAIR PARTS

15 HP 42" TRACTOR - - MODEL NUMBER 917.257571

LIFT



REPAIR PARTS

15 HP 42" TRACTOR - - MODEL NUMBER 917.257571

LIFT

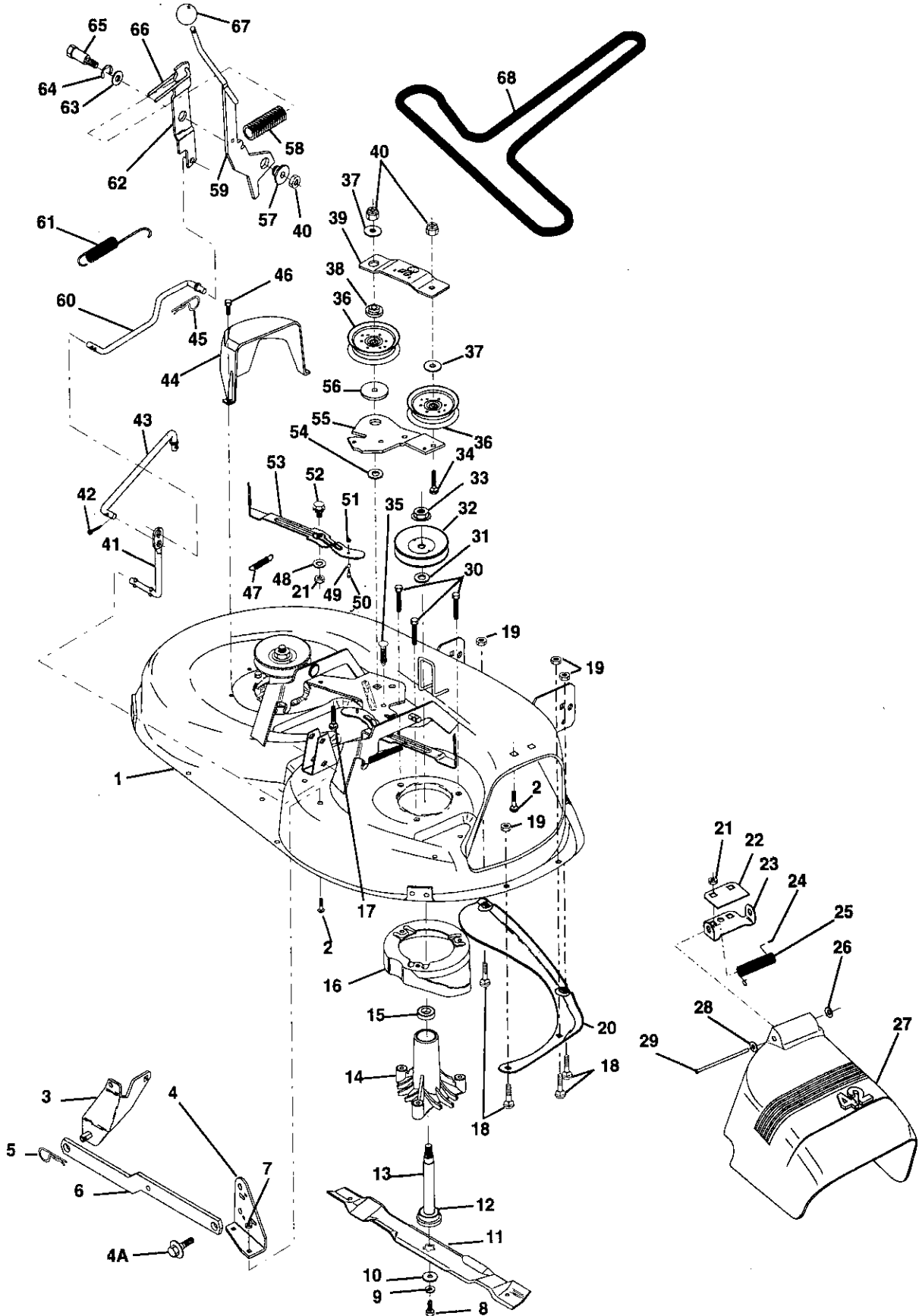
KEY NO.	PART NO.	DESCRIPTION
1	136973	Rod Asm. Lever
2	122507X	Shaft Asm. Lift
3	105767X	Pin Groove
4	12000002	E Ring #5133-62
5	19211621	Washer 21/32 x 1 x 21 Ga.
6	120183X	Bearing Nylon
7	125631X	Grip Handle Fluted
8	122365X	Button Plunger Read
10	122512X	Spring Cprsn
11	134619	Link Lift Lh Fixed Length
12	135388	Link Lift Rh Fixed Length
13	4939M	Retainer Spring
14	135563	Pin Roll Slit 5/16 x 1.25
15	127218	Link Front
16	73350800	Nut Jam Hex 1/2-13 Unc
17	130171	Trunnion Blk Zinc
18	73800800	Nut Lock W/Wsh 1/2-13 Unc
19	130832	Arm Suspension Rear
20	3146R	Retainer Spring

NOTE: All component dimensions given in U.S. inches
1 inch = 25.4 mm

REPAIR PARTS

15 HP 42" TRACTOR -- MODEL NUMBER 917.257571

42" MOWER



REPAIR PARTS

15 HP 42" TRACTOR - - MODEL NUMBER 917.257571

42" MOWER

KEY NO.	PART NO.	DESCRIPTION	KEY NO.	PART NO.	DESCRIPTION
1	138024	Mower Housing	39	133503	Stiffner, Idler Arm, Upper, Hardened
2	STD533107	Bolt	40	STD541437	Nut
3	138017	Bracket Assembly, Sway Bar, Front	41	133551	Rod, Pivot, with Nibs
4	138440	Bracket Assembly, Sway Bar	42	STD560907	Cotter Pin
4A	132827	Bolt, Shoulder	43	133504	Rod, Clutch, Secondary, with Nibs
5	STD624008	Retainer Spring	44	140088	Guard, Mandrel, L.H.
6	130832	Arm, Suspension, Rear	45	STD624003	Retainer
7	73800500	Locknut 5/16-18	46	137729	Screw, Thd. Roll 1/4-20 x 5/8
8	850857	Bolt, Hex 3/8-24 x 1.25 Grade 8	47	131335	Spring, Extension
9	STD551137	Washer, Lock	48	133944	Washer, Hardened
10	140296	Washer, Hardened	49	133940	Roller Assembly, Cam Follower
11	134149	Blade, Mulching	50	131340	Bolt, Shoulder #10-24 Grade 5
12	129895	Bearing, Ball	51	STD541410	Locknut
13	137645	Shaft Assembly, Mandrel, Vented (Includes Key Number 6)	52	139888	Bolt, Shoulder 5/16-18 UNC
14	128774	Housing, Mandrel, Vented	53	131845	Arm Assembly, Pad, Brake
15	110485X	Bearing, Ball, Mandrel	54	133943	Washer, Hardened
16	136929	Stripper, Vented Mower Deck	55	133844	Arm, Idler
17	72110618	Bolt, Carriage 3/8-16 x 2-1/4	56	122052X	Spacer, Retainer
18	72140505	Bolt, Carriage 5/16-18 x 5/8	57	127498	Bushing, Large, Brass
19	73800500	Locknut 5/16-18	58	128759	Spring, Mower Clutch
20	136888	Baffle, Vortex	59	140334	Arm, Clutch, Primary
21	STD541431	Nut	60	142427	Rod, Clutch, Primary, with Nibs
22	134753	Stiffener Bracket	61	131870	Spring, Return
23	131267	Bracket, Deflector	62	127847	Arm, Clutch, Secondary
24	105304X	Cap, Sleeve	63	121748X	Washer 25/32 x 1-5/8 x 16 Gauge
25	123713X	Spring, Torsion, Deflector	64	12000029	Ring, Klip
26	110452X	Nut, Push	65	128903	Bolt, Shoulder 3/8-16 UNC x 1.44
27	130968	Shield, Deflector	66	127845	Keeper, Spring
28	19111016	Washer 11/32 x 5/8 x 16 Gauge	67	106932X	Knob, Round 3/8-16 UNC
29	131491	Rod, Hinge	68	130969	V-Belt
30	138776	Screw Thdrol Hex Head Zinc Mwr	--	130794	Mandrel Assembly (Includes Key Numbers 8-10, 12-15, 31 and 32)
31	129963	Washer, Spacer	--	138358	Mower Deck, Complete
32	129861	Pulley, Mandrel			
33	137266	Nut, Toplock, Flanged			
34	STD533717	Bolt			
35	133835	Fastner, Christmas Tree			
36	131494	Pulley, Idler, Flat			
37	19131612	Washer 13/32 x 1 x 12 Gauge			
38	133502	Spacer, Idler Arm, Upper			

Available mulcher plate kit not included with tractor:

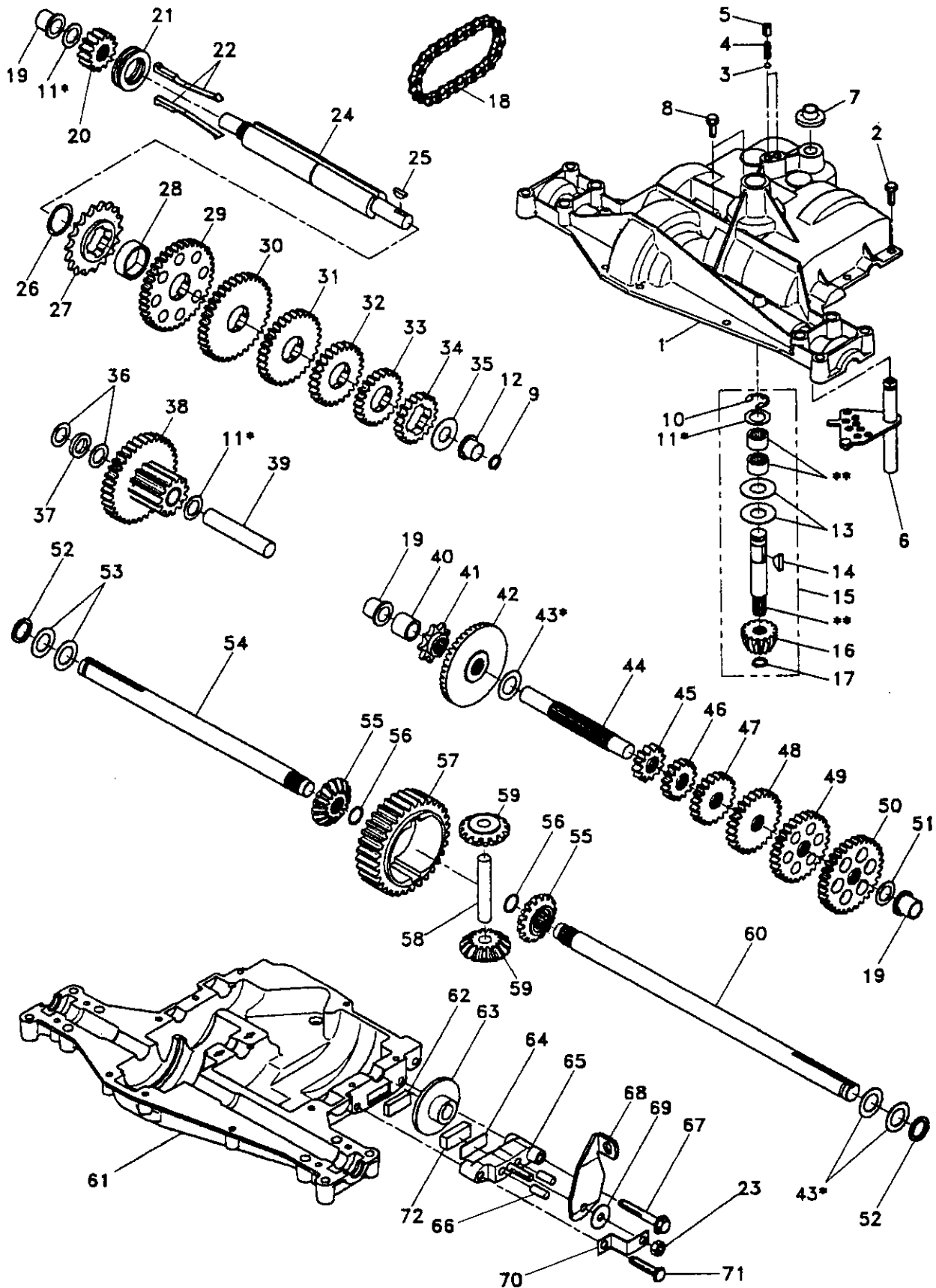
-- 141112 Mulcher Close-out Plate Kit

NOTE: All component dimensions given in U.S. inches.
1 inch = 25.4 mm.

REPAIR PARTS

15 HP 42" TRACTOR - MODEL NUMBER 917.257571

DANA TRANSAXLE - MODEL NUMBER 4360-79



REPAIR PARTS

15 HP 42" TRACTOR - MODEL NUMBER 917.257571

DANA TRANSAXLE - MODEL NUMBER 4360-79

KEY PART NO. NO.	DESCRIPTION	KEY PART NO. NO.	DESCRIPTION
1 142671	Housing, Upper	41 105928X	Sprocket, 9 Teeth
2 2274J	Screw, Self-Tapping, Large 1/4-20 x .734	42 110084X	Gear, Bevel, 42 Teeth
3 134400	Ball, Detent	43 134394	* Assembly, Kit, Shim .750 Shaft
4 105904X	Spring, Detent	44 120473X	Shaft, Drive
5 105905X	Screw, Set	45 142678	Gear, Spur, 12 Teeth
6 138235	Kit, Shifter Assembly	46 142679	Gear, Spur, 15 Teeth
7 134399	Boot, Shifter	47 120407X	Gear, Spur, 20 Teeth
8 134791	Screw, Tapping w/Sealer	48 106589X	Gear, Spur, 25 Teeth
9 138241	Square Ring	49 120408X	Gear, Spur, 28 Teeth
10 142672	Ring, Retaining	50 105937X	Gear, Spur, 31 Teeth
11 134793	* Assembly, Kit, Shim .625 Shaft	51 2226J	Washer, Plain .632 x 1.00 x .060
12 142673	Bearing, Flange	52 134401	Washer, Neoprene
13 120415X	Washer, Plain .632 x 1.38 x .046	53 2264J	Washer, Plain .758 x 1.25 x .031
14 142674	Key, Woodruff, #9	54 120474X	Axle, L.H.
15 138234	Assembly, Kit, Input Shaft	55 110081X	Gear, Miter, 15 Teeth
16 110078X	Pinion, Bevel, 14 Teeth	56 105941X	Ring, Retaining
17 105909X	Ring, Retaining	57 110071X	Gear, Spur, 32 Teeth
18 105910X	Chain, 24 Pitches	58 120952X	Shaft, Cross
19 105911X	Bearing, Flange	59 110082X	Gear, Miter, 15 Teeth
20 142675	Gear, Spur, 14 Teeth	60 120475X	Axle, R.H.
21 138246	Collar, Clutch	61 142680	Housing, Lower
22 138236	Assembly, Kit, Clutch Keys	62 120961X	Puck, Friction
23 73810500	Locknut 5/16-24	63 7294J	Disc, Brake
24 142676	Shaft, Intermediate	64 108989X	Spacer
25 2244J	Key, Woodruff, #61	65 120953X	Jaw, Brake
26 105916X	Ring, Retaining	66 120954X	Pin, Dowel
27 120470X	Sprocket, 18 Teeth	67 134799	Screw, Self-Tapping, Large 5/16-18 x 2.25
28 110070X	Spacer	68 138244	Lever, Actuating
29 142677	Gear, Spur, 37 Teeth	69 108996X	Washer, Plain .321 x 1.00 x .055
30 142681	Gear, Spur, 35 Teeth	70 120956X	Bracket, Anti-Rotation
31 120405X	Gear, Spur, 30 Teeth	71 106596X	Screw, Self-Tapping, Large 5/16-18 x 1.44
32 108980X	Gear, Spur, 25 Teeth	72 120951X	Puck, Friction
33 120406X	Gear, Spur, 22 Teeth	73 120416X	Grease
34 134796	Gear, Spur, 19 Teeth		
35 105925X	Washer, Plain .640 x 1.37 x .061		
36 2232J	Washer, Plain .632 x 1.00 x .026		
37 108978X	Spacer .630 x 1.00 x .169		
38 110079X	Assembly, Gear, Combination of 12 Teeth and 35 Teeth		
39 124639X	Shaft, Idler		
40 120472X	Spacer .635 x .875 x .755		

* Use in combinations to maintain proper clearances

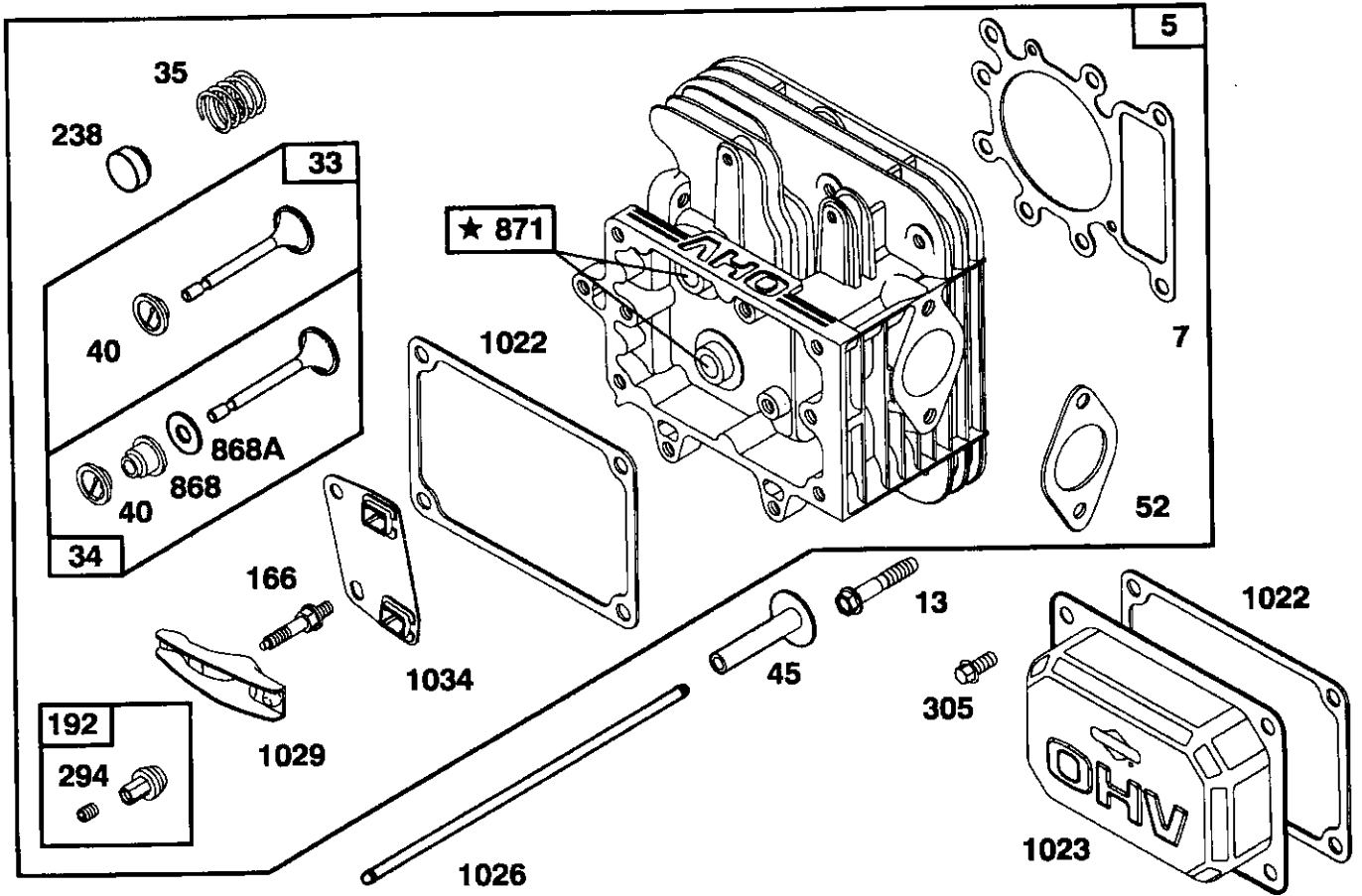
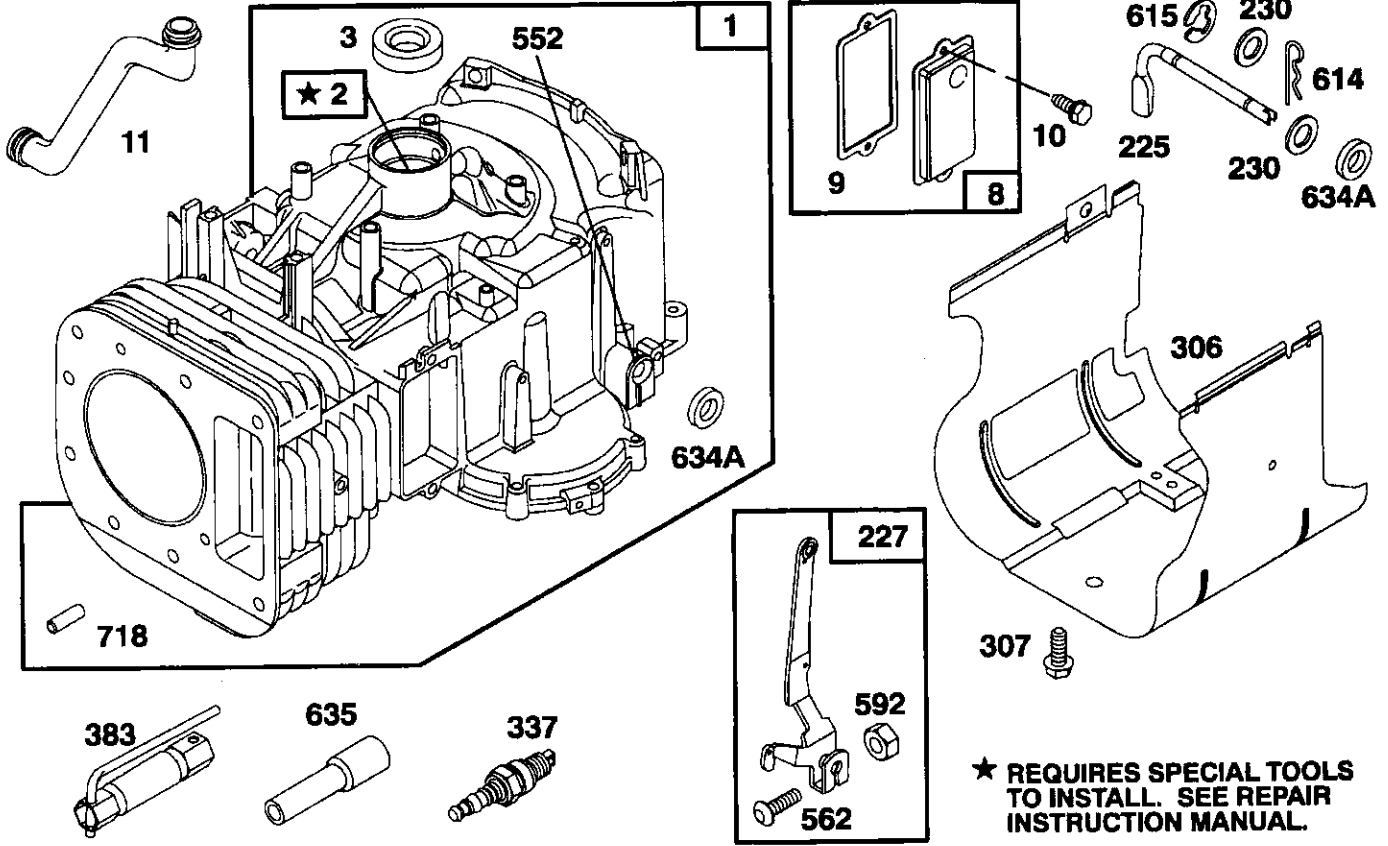
** Order Key No. 15

NOTE: All component dimensions given in U.S. inches
1 inch = 25.4 mm

REPAIR PARTS

15 HP 42" TRACTOR - - MODEL NUMBER 917.257571

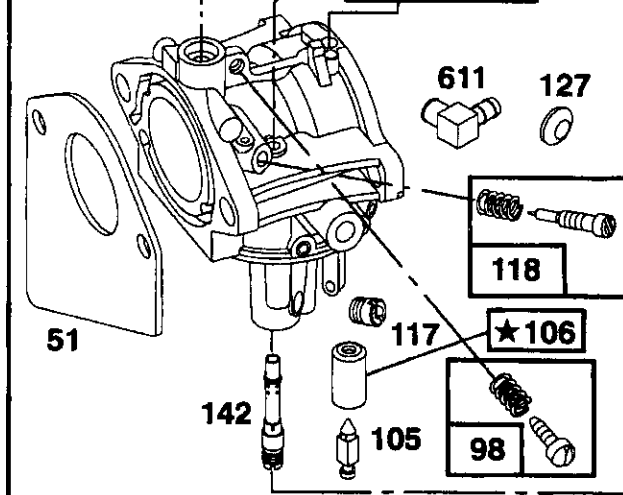
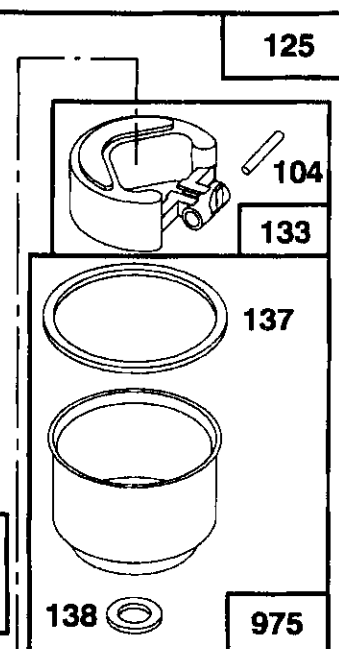
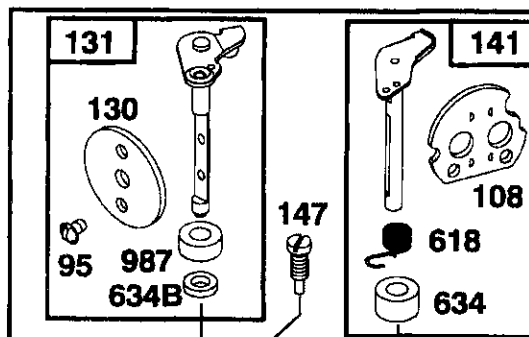
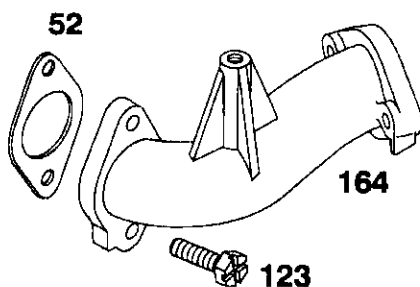
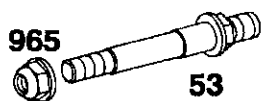
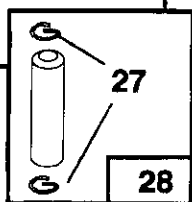
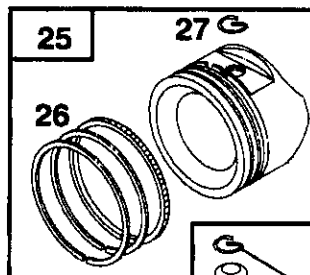
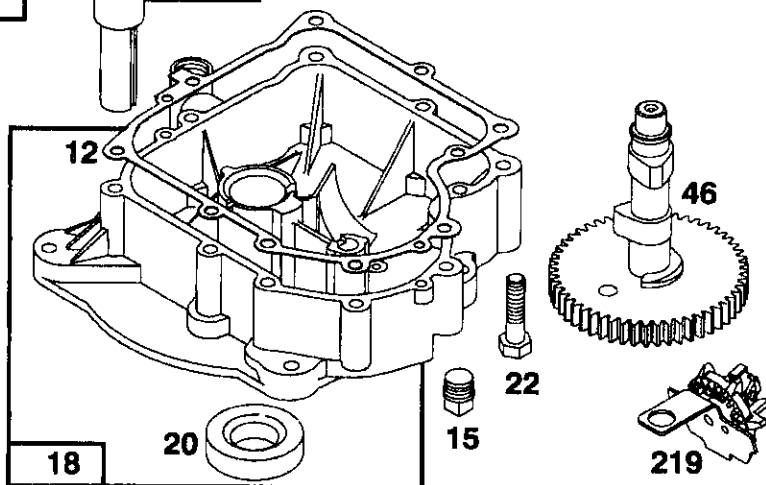
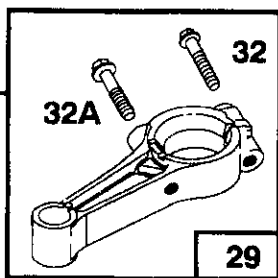
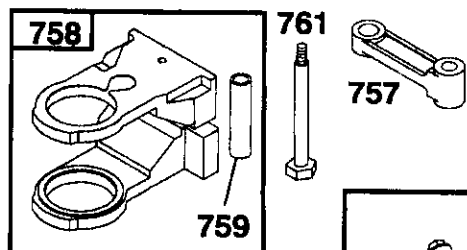
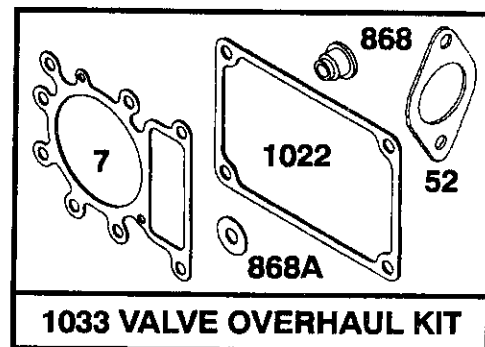
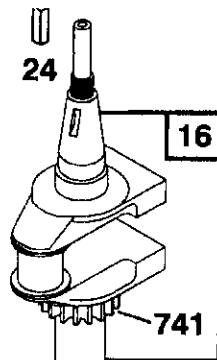
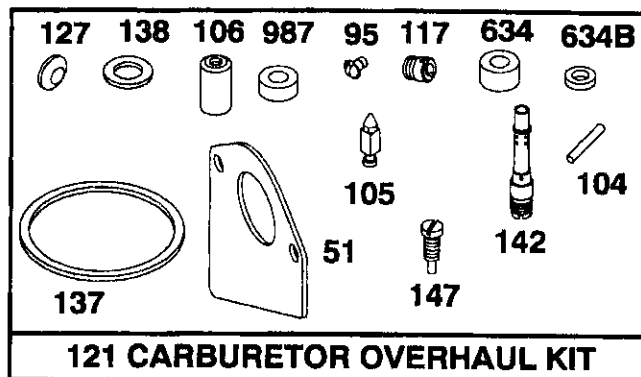
BRIGGS & STRATTON ENGINE - MODEL NUMBER 28N707, TYPE NUMBER 0121-01



REPAIR PARTS

15 HP 42" TRACTOR - - MODEL NUMBER 917.257571

BRIGGS & STRATTON ENGINE - MODEL NUMBER 28N707, TYPE NUMBER 0121-01

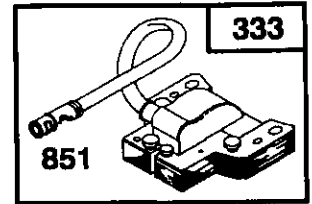
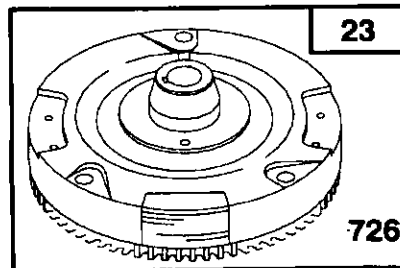
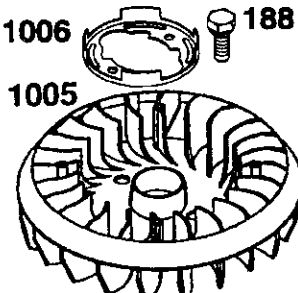
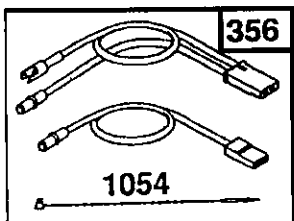
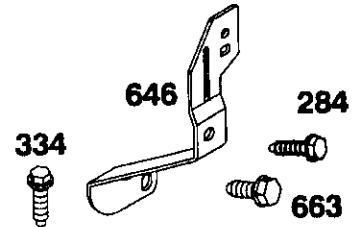
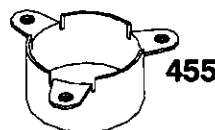
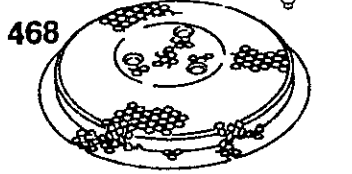
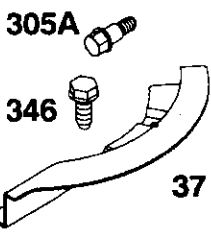
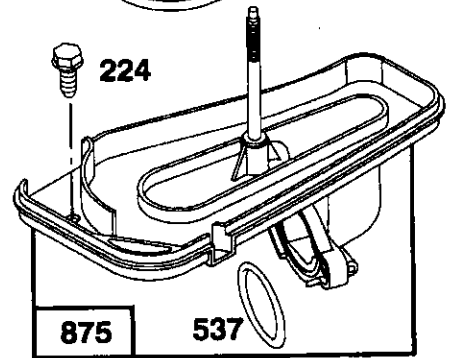
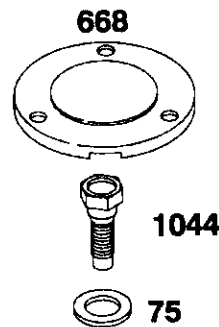
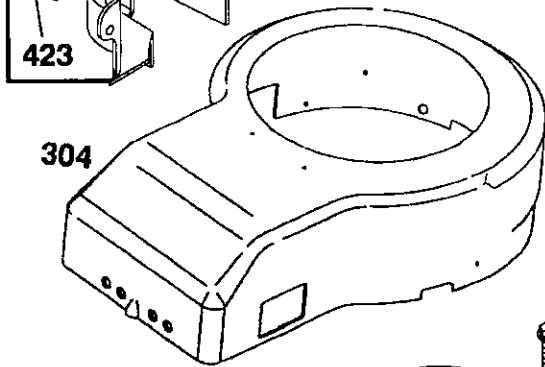
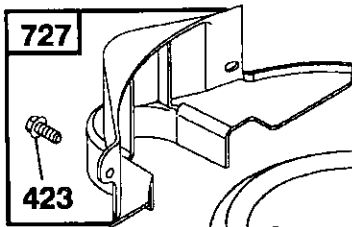
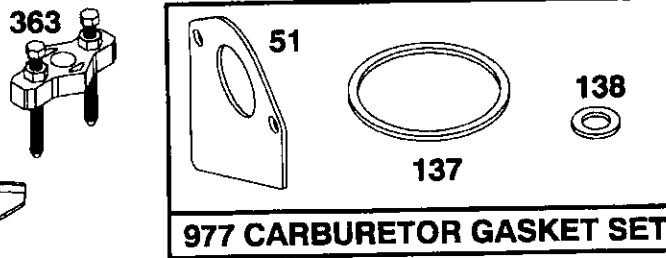
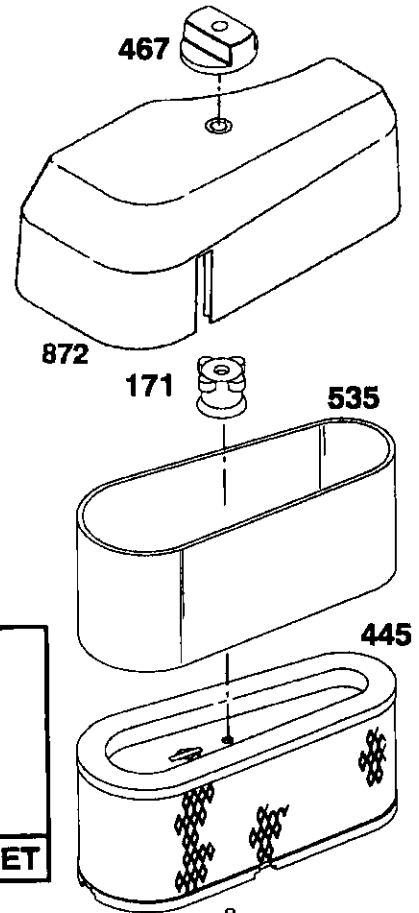
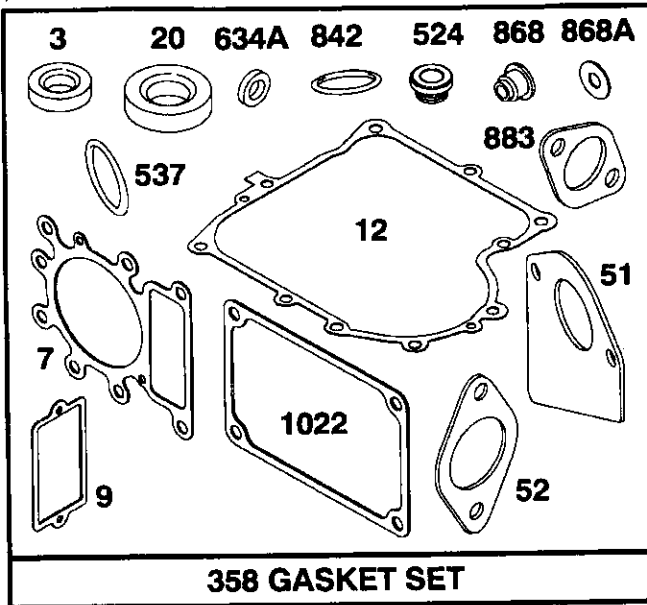
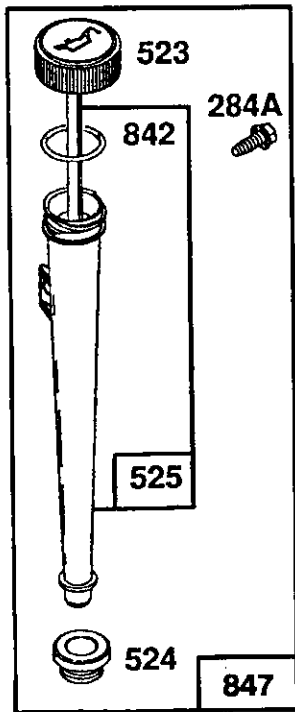


★ REQUIRES SPECIAL TOOLS TO INSTALL. SEE REPAIR INSTRUCTION MANUAL.

REPAIR PARTS

15 HP 42" TRACTOR - - MODEL NUMBER 917.257571

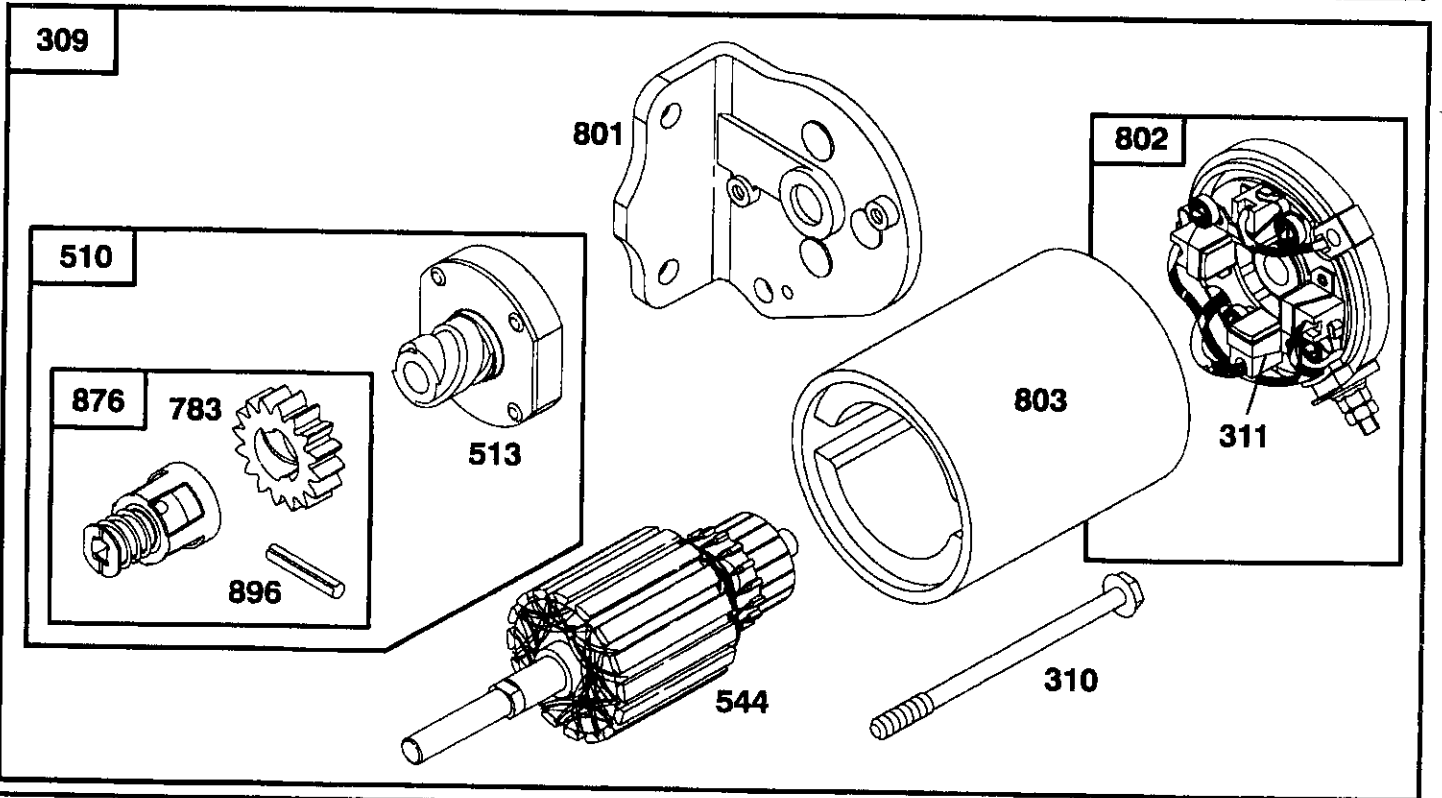
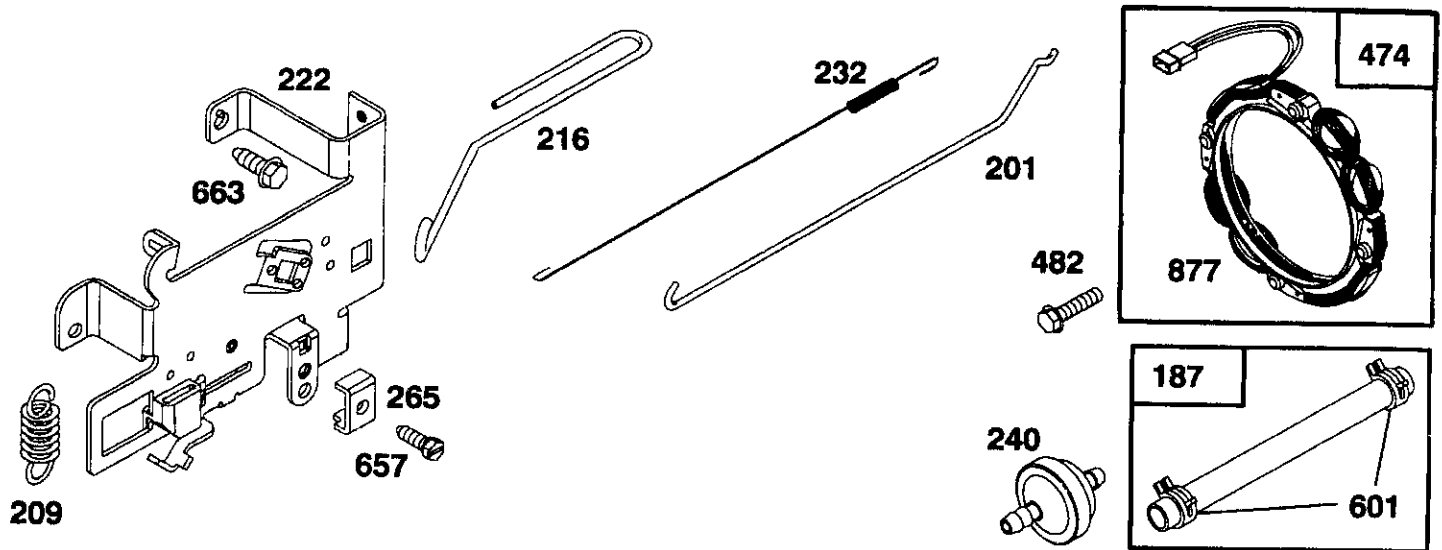
BRIGGS & STRATTON ENGINE - MODEL NUMBER 28N707, TYPE NUMBER 0121-01



REPAIR PARTS

15 HP 42" TRACTOR - - MODEL NUMBER 917.257571

BRIGGS & STRATTON ENGINE - MODEL NUMBER 28N707, TYPE NUMBER 0121-01



Reference Number		309	310	311	510	544	801	802	803
		Motor & Drive Assembly	Thru Bolt Assembly	Brush Assembly	Starter Drive Group	Armature Assembly	Drive End Cap Assembly	End Cap Assembly Commutator	Housing Assembly
Briggs & Stratton	Housing Length								
12V	3-21/32"	**394805	94003	395538	495878 *	390837	394856	395537 ***	398159

* Includes #398003 Clutch Assembly (Ref. No. 513) ** Uses #94627 Screw-Hex. Head (Ref. No. 728) *** Includes Brush Set
 #280104 Gear (Ref. No. 783)
 #495877 Retainer and Pin (Ref. No. 876)
 #94288 Roll Pin (Ref. No. 896)

REPAIR PARTS

15 HP 42" TRACTOR - - MODEL NUMBER 917.257571

BRIGGS & STRATTON ENGINE - MODEL NUMBER 28N707, TYPE NUMBER 0121-01

KEY PART NO.	NO.	DESCRIPTION	KEY PART NO.	NO.	DESCRIPTION
1	496412	Cylinder Assembly	51	272465	Gasket, Carburetor (Carburetor to Elbow)
2	399265	Bearing, Cylinder	52	272569	Gasket, Carburetor (Elbow to Cylinder)
3	391086	Seal, Oil	53	94637	Stud, Carburetor Mounting
5	495858	Head, Cylinder	75	224061	Washer, Spring
7	272614	Gasket, Cylinder Head	78	94626	Screw, Sems
8	495735	Breather Assembly	95	94098	Screw, Throttle
9	27803	Gasket, Valve Cover	98	495800	Screw, Idle Speed
10	94621	Screw, Sems	104	231789	Pin, Float Hinge
11	281246	Tube, Breather	105	231855	Valve Float
12	271916	Gasket, Crankcase Cover, 1/64"	106	231854	Seat, Inlet Valve
	271997	Gasket, Crankcase Cover, .005"	108	224540	Valve, Choke
	271996	Gasket, Crankcase Cover, .009"	117	231858	Jet, Needle Valve
13	94728	Screw, Cylinder Head	118	495932	Valve, Needle
15	94239	Plug, Oil Drain	121	495799	Carburetor Overhaul Kit
16	495162	Crankshaft	123	94616	Screw, Elbow Mounting
	94196	Timing Gear Key	125	495935	Carburetor Assembly
18	494238	Base, Engine	127	- - -	Plug, Welch (Sold in Kit Only)
20	291675	Seal, Oil	130	224539	Valve, Throttle
22	94624	Screw, Sems, Base Mounting	131	494379	Shaft and Lever, Throttle
23	492326	Flywheel and Ring Gear Assembly, Magneto	133	494381	Float, Carburetor
24	222698	Key, Flywheel	137	281165	Gasket, Float Bowl
25	495860	Piston Assembly, Standard Size	138	281164	Washer, Bowl
	495977	Piston Assembly, .010" Oversize	141	495931	Shaft and Lever, Choke
	495978	Piston Assembly, .020" Oversize	142	231859	Nozzle, Carburetor
	495979	Piston Assembly, .030" Oversize	147	231794	Pilot, Jet
26	495854	Ring Set, Piston, Standard Size	164	214053	Elbow, Carburetor
	495852	Ring Set, Piston, .010" Oversize	166	94555	Stud, Rocker Arm
	495851	Ring Set, Piston, .020" Oversize	171	281051	Nut, Air Cleaner Mounting
	495855	Ring Set, Piston, .030" Oversize	187	393815	Line, Fuel (11" Long, Cut to Suit)
27	260924	Lock, Piston Pin	188	93535	Screw, Hex Head, 3/4
28	299691	Pin Assy., Piston, Standard Size	192	492160	Screw Assembly, Rocker Arm
	391286	Pin Assy., Piston, .005" Oversize	201	262767	Link, Governor
29	494504	Rod Assembly, Connecting	209	260695	Spring, Governor
	495490	Rod Assembly, Connecting, .020" Undersize Crankpin Bore	216	262766	Link, Choke
33	495856	Valve, Exhaust	219	490815	Gear, Governor
32	94695	Screw, Hex Washer Head, 1-5/7/64	222	495611	Plate, Governor Control
32A	94648	Screw, Hex Washer Head, 1-5/8	224	94729	Screw, Sems, Air Cleaner
34	495857	Valve, Intake	225	231058	Crank, Governor
35	262811	Spring, Valve	227	493935	Lever Assembly, Governor
37	224502	Guard, Flywheel	230	94742	Washer, Governor Crank
40	224641	Retainer, Valve Spring			
45	262411	Tappet, Valve			
46	494433	Gear, Cam			

NOTE: All component dimensions given in U.S. inches
1 inch = 25.4 mm

REPAIR PARTS

15 HP 42" TRACTOR - - MODEL NUMBER 917.257571

BRIGGS & STRATTON ENGINE - MODEL NUMBER 28N707, TYPE NUMBER 0121-01

KEY PART NO. NO.	DESCRIPTION	KEY PART NO. NO.	DESCRIPTION
232 262785	Spring, Governor Link	634B 281167	Washer, Throttle Shaft
238 262836	Cap, Valve	635 280872	Elbow, Spark Plug
240 394358	Filter, Fuel (In Fuel Line)	646 224546	Brace, Air Cleaner
265 221535	Clamp, Casing	657 93496	Screw, Sems
284 94326	Screw, Hex Head	668 280848	Spacer
284A 94073	Screw, Hex Head	718 230192	Pin, Dowel
294 810068	Screw, Set	726 392134	Gear, Ring
304 496280	Housing, Blower		(Includes Mounting Hardware)
305 94513	Screw, Hex, Head,	727 490324	Cover, Starter
	Blower Housing Mounting	741 262932	Gear, Timing
305A 94734	Screw, Hex Head,	757 213998	Link, Counterweight
	Blower Housing Mounting	758 399891	Counterweight Assembly
306 224696	Shield, Cylinder	759 298909	Pin, Counterweight
307 94623	Screw, Cylinder Shield	761 94593	Screw, Counterweight
333 495859	Armature, Magneto	842 270920	Seal, Oil Filler Cap
334 93381	Screw, Sems, Armature Mounting	847 496415	Fill Group, Oil
337 491055	Plug, Spark	851 224110	Terminal, Ignition Cable
346 93705	Screw, Hex Head	868 494435	Seal Assembly, Valve
356 496070	Wire Assembly	868A 272610	Gasket, Valve
358 495993	Gasket Set	871 262835	Bushing, Guide (Intake & Exhaust)
363 19203	Puller, Flywheel	872 281361	Cover, Air Cleaner
383 89838	Wrench, Spark Plug	875 495862	Body, Air Cleaner
423 94073	Screw, Sems	877 393456	Diode and Connector Assembly
445 493909	Cartridge, Air Cleaner	947 495739	Solenoid
455 222561	Cup, Screen Mounting	965 94108	Nut, Hex
467 493903	Knob, Air Cleaner	975 495933	Bowl Assembly, Carburetor
468 224948	Screen, Flush Rotating	977 494385	Carburetor Gasket Set
474 393474	Stator, Alternator	987 281166	Seal, Throttle Shaft
482 93621	Screw, Sems	1005 281355	Fan, Flywheel
523 495230	Cap and Dipstick, Oil Filler	1006 224413	Retainer, Fan
524 68838	Seal, Filler Tube	1022 272475	Gasket, Cover
525 496113	Tube, Oil Filler	1023 224552	Cover, Rocker Arm
535 272403	Element, Filter	1026 494432	Rod, Push, Intake
537 281106	O-Ring, Air Cleaner		Rod, Push, Exhaust
552 231597	Bushing, Governor Crank	495136	Arm, Rocker
562 92613	Bolt, Governor Lever	1029 224554	Valve Overhaul Kit
592 231082	Nut, Hex	1033 495992	Guide Assembly, Push Rod
601 93053	Clamp, Fuel Pipe	1034 495248	Screw, Hex Head
611 493496	Elbow, Fuel Pipe	1044 94673	Tie, Cable
614 93306	Pin, Cotter	1054 270723	
615 93307	Retainer, E-Ring		
618 262803	Spring, Choke Return		
634 281168	Seal, Choke Shaft		
634A 491323	Seal, Governor		
		RPM Settings:	Low: 1650-1850, High: 3200-3400

NOTE: All component dimensions given in U.S. inches
1 inch = 25.4 mm

SERVICE NOTES
