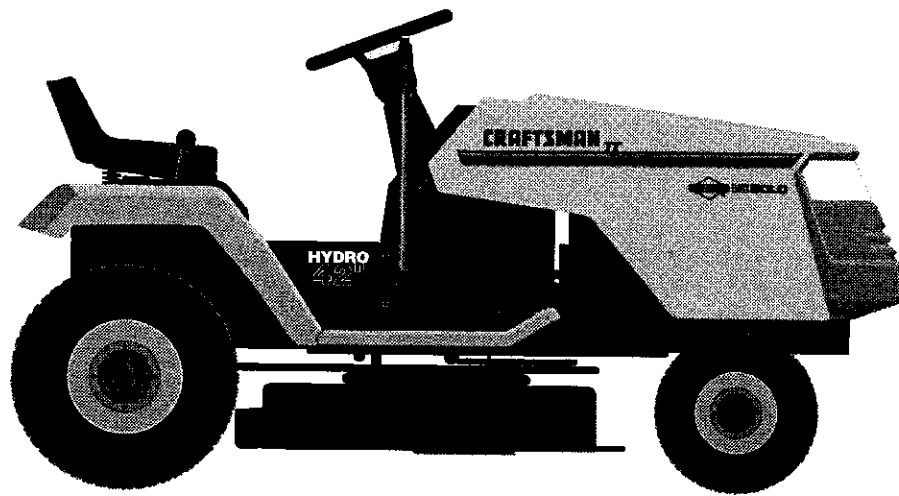


SEARS

CRAFTSMAN®

MODEL NUMBER 917.257591 OWNER'S MANUAL

- **Assembly**
- **Operation**
- **Customer Responsibilities**
- **Service and Adjustments**
- **Repair Parts**



CAUTION: Read and follow all safety rules and instructions before operating this equipment.

Sears, Roebuck and Co., Hoffman Estates, IL 60179 U.S.A.

LES

Ride-On Mowers



KEEP YOUR HANDS AND FEET AND THROWING OBJECTS.
THIS COULD RESULT IN SERIOUS INJURY OR DEATH.

CHILDREN

Accidental accidents can occur if the operator is not alert to the presence of children. Children are often attracted to the machine during the mowing activity. *Never* assume that children will remain where you last saw them.

Keep children out of the mowing area and under the watchful care of another responsible adult.

Be alert and turn machine off if children enter the area.

Before and when backing, look behind and *down* for small children.

Never carry children. They may fall off and be seriously injured or interfere with safe machine operation.

Never allow children to operate the machine.

Use extra care when approaching blind corners, shrubs, trees, or other objects that may obscure vision.

SERVICE

Use extra care in handling gasoline and other fuels. They are flammable and vapors are explosive.

- Use only an approved container.
- Never remove gas cap or add fuel with the engine running. Allow engine to cool before refueling. Do not smoke.
- Never refuel the machine indoors.
- Never store the machine or fuel container inside where there is an open flame, such as a water heater.

Never run a machine inside a closed area.

Keep nuts and bolts, especially blade attachment bolts, tight and keep equipment in good condition.

Never tamper with safety devices. Check their proper operation regularly.

Keep machine free of grass, leaves, or other debris build-up. Clean oil or fuel spillage. Allow machine to cool before storing.

Stop and inspect the equipment if you strike an object. Repair, if necessary, before restarting.

Never make adjustments or repairs with the engine running.

Grass catcher components are subject to wear, damage, and deterioration, which could expose moving parts or allow objects to be thrown. Frequently check components and replace with manufacturer's recommended parts, when necessary.

Mower blades are sharp and can cut. Wrap the blade(s) or wear gloves, and use extra caution when servicing them.

Check brake operation frequently. Adjust and service as required.



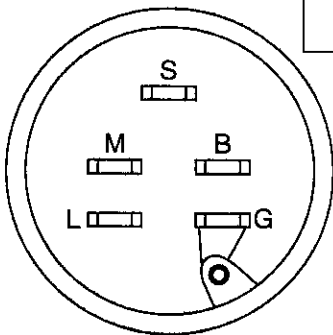
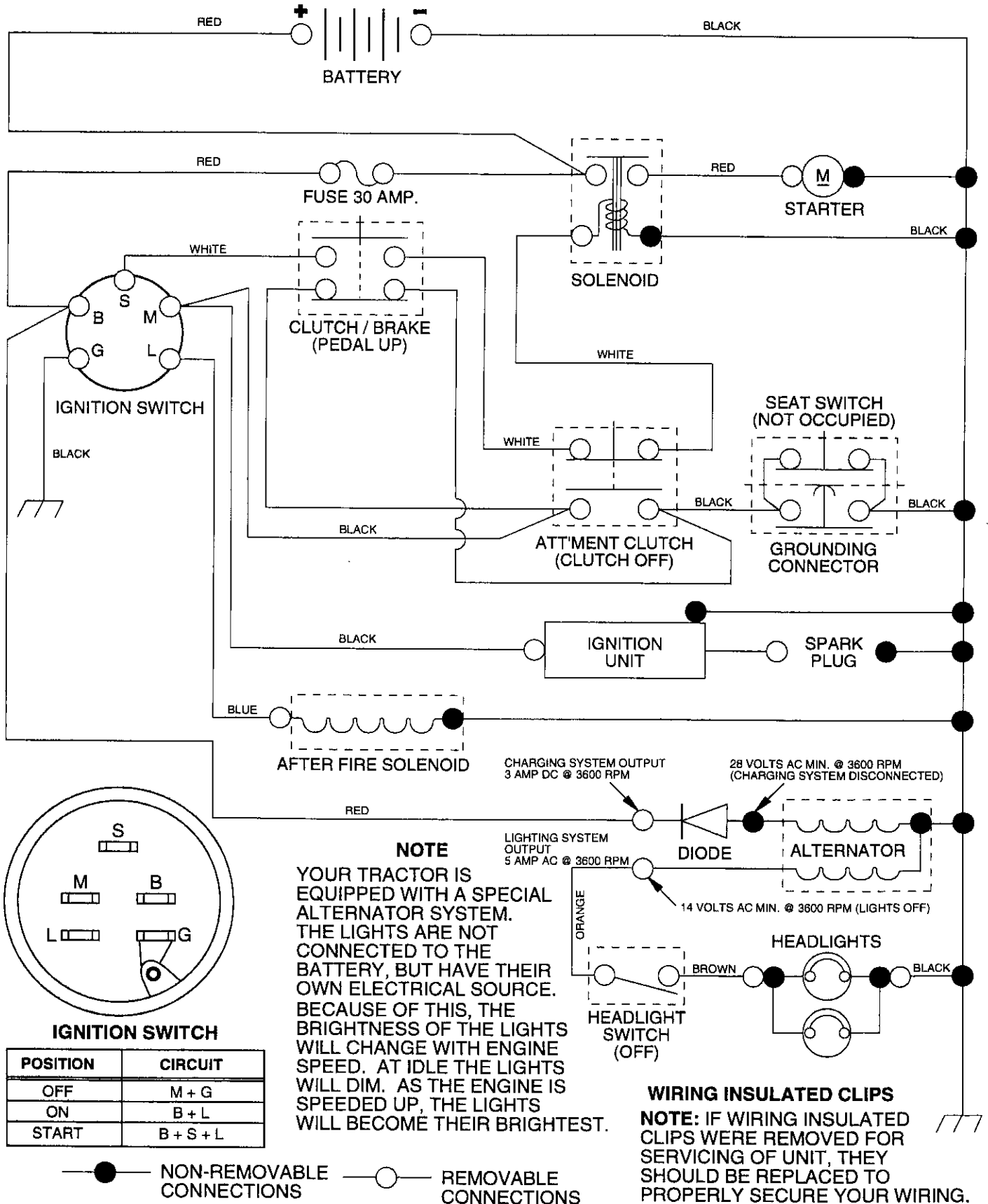
Look for this symbol to point out important safety precautions. It means **CAUTION!!! BECOME ALERT!!! YOUR SAFETY IS INVOLVED.**



CAUTION: Always disconnect spark plug wire and place wire where it cannot contact spark plug in order to prevent accidental starting when setting up, transporting, adjusting or making repairs.

15 HP 42" TRACTOR - - MODEL NUMBER 917.257591

SCHEMATIC



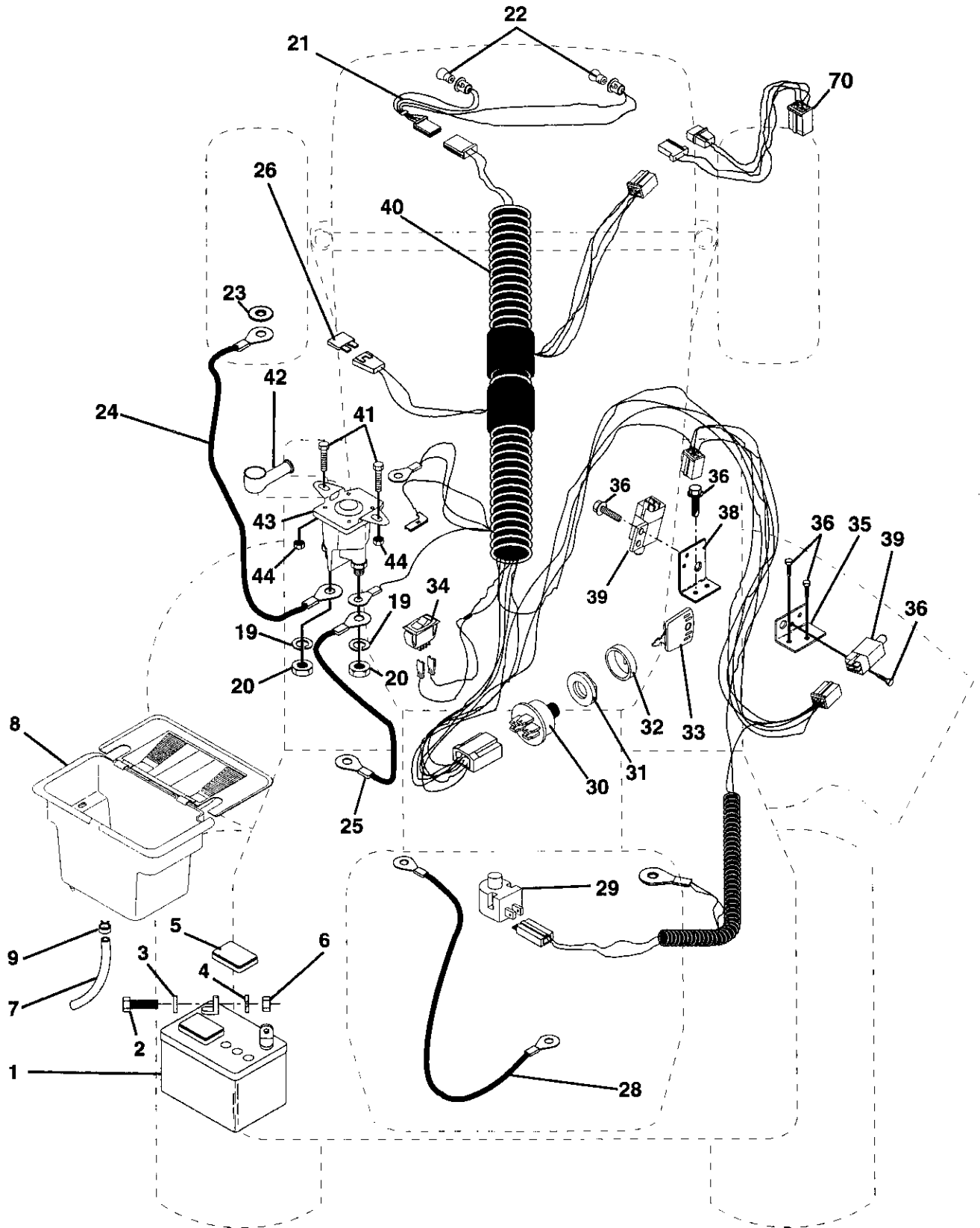
IGNITION SWITCH

POSITION	CIRCUIT
OFF	M + G
ON	B + L
START	B + S + L

REPAIR PARTS

15 HP 42" TRACTOR -- MODEL NUMBER 917.257591

ELECTRICAL



REPAIR PARTS

15 HP 42" TRACTOR - - MODEL NUMBER 917.257591

ELECTRICAL

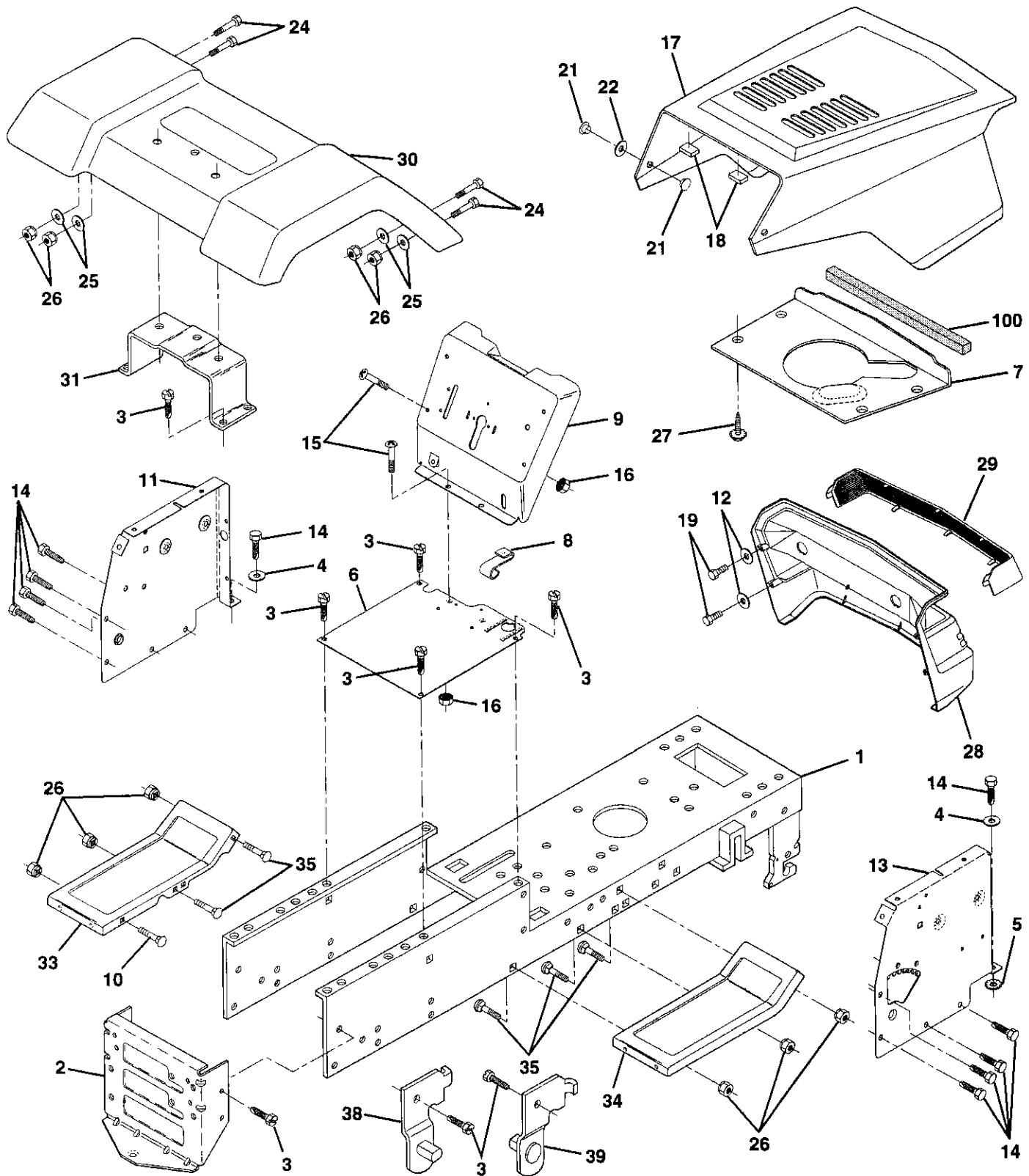
KEY NO.	PART NO.	DESCRIPTION
1	121265X	Battery 12 Volt 25 Amp
2	74760412	Bolt Hex Hd 1/4-20unc X 3/4
3	19091016	Washer 9/32 X 5/8 X 16 Ga
4	10040400	Washer Lock Hvy Helical 1/4
5	121264X	Caps Battery 20/25/30 AMP
6	73220400	Nut Fin Hex 1/4-20 Unc
7	109238X	Tube Plastic 12"
8	129965	Case Battery
9	109596X	Clamp Hose Olive
19	10090400	Washer Lock 1/4
20	73350400	Nut Jam Hex 1/4-20 Unc
21	136850	Harness Asm Light W/4152J
22	4152J	Bulb Light #1156
23	11150400	Washer Lock Internal Tooth 1/4
24	4799J	Cable Battery 6 Ga 11"red
25	132202	Cable Battery 6 Ga 43"red
26	108824X	Fuse 30 AMP Auto Green
28	4207J	Cable Ground 6 Ga 12" black
29	121305X	Switch Plunger Nc Gray
30	144921	Switch Ign 3
31	140400	Nut Ignition
32	141226	Cover Sw Ignition
33	140403	Key Ign
34	110712X	Switch Light Blk Blk Red
35	108236X	Bracket Switch Clutch
36	17021008	Screw Tap Hex #10-24unc X 1/2
38	140336	Bracket Switch Interlock
39	109553X	Switch Intlk Clutch Gry 4 Term
40	140415	Harness Ign
41	71110408	Bolt Blk Fin Hex 1/4-20 x 1/2
42	131563	Cover Terminal Red
43	138406	Solenoid
44	73640400	Nut Keps Hex 1/4-20 Unc
70	140422	Harness Eng Briggs/Tec Dual

NOTE: All component dimensions give in U.S. inches
1 inch = 25.4 mm.

REPAIR PARTS

15 HP 42" TRACTOR - - MODEL NUMBER 917.257591

CHASSIS AND ENCLOSURES



REPAIR PARTS

15 HP 42" TRACTOR - - MODEL NUMBER 917.257591

CHASSIS AND ENCLOSURES

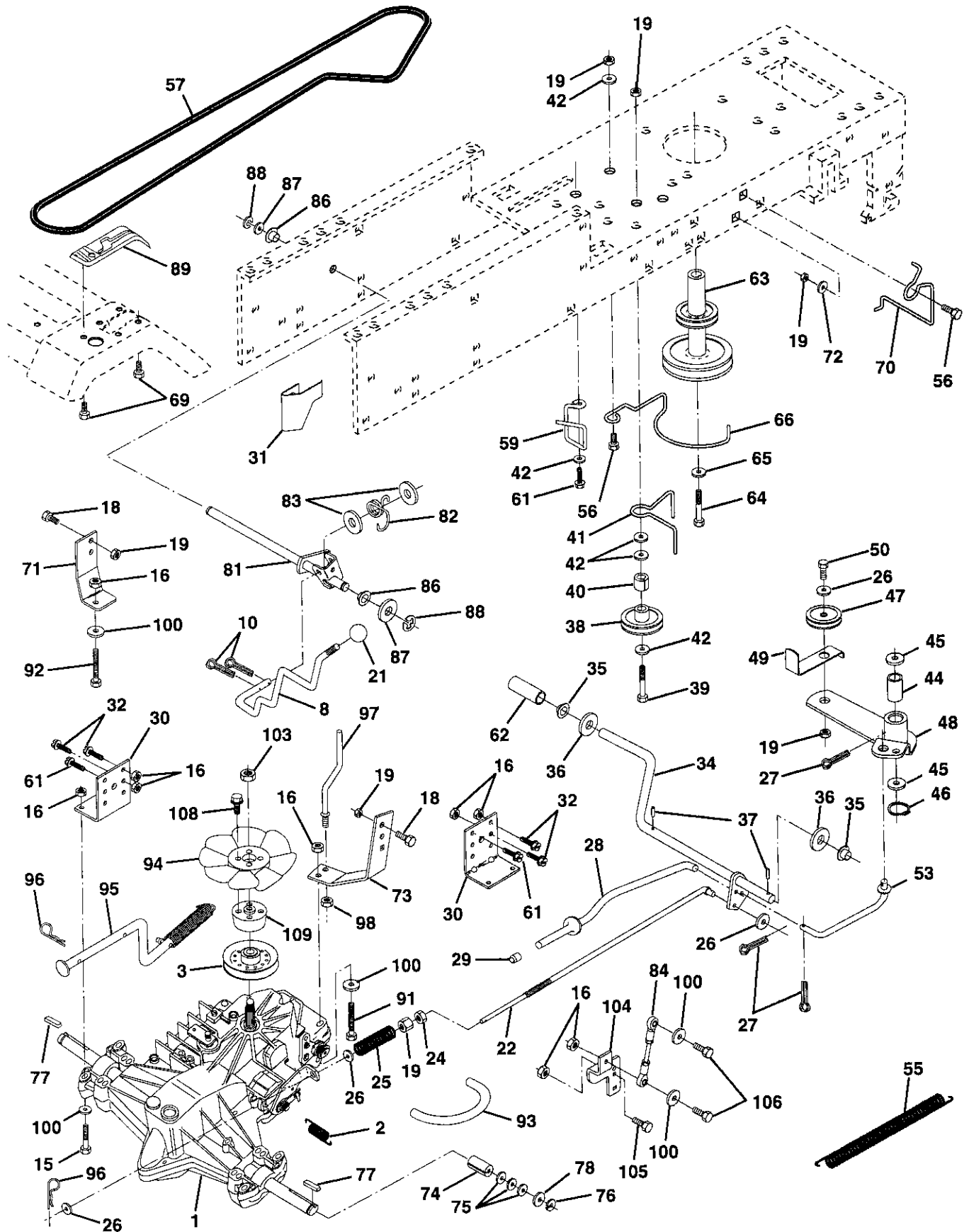
KEY NO.	PART NO.	DESCRIPTION
1	140341	Chassis Assembly
2	140356	Drawbar
3	17490612	Screw, Thd., Roll. 3/8-16 x 3/4
4	19131216	Washer 13/32 x 3/4 x 16 Ga
5	11050600	Washer lock ext. tooth 3/8
6	140169	Saddle
7	126842X	Shield Heat Hood Kohl/Dia. Engine
8	126471X	Clip, Fuel Line
9	140637X013	Dashboard
10	72140608	Carriage Bolt 3/8 - 16 x 1
11	135464	Panel, Dash, LH
12	11030400	Washer Lock 1/4 Int/Ext Tooth
13	124031X012	Panel, Dash, RH
14	17490608	Screw, Thd., Roll. 3/8-16 x 1/2
15	74180512	Screw, Machine, Truss Head 5/16-18 UNC x 3/4
16	STD541431	Nut, Hex, Keps 5/16-18 UNC
17	131445X417	Hood Assembly
18	126938X	Bumper, Hood
19	17521312	Screw Std Hex Hd w/Pl Washer
21	122933X	Rivet, Ratchet, Nylon
22	124479X	Washer, Nylon
24	STD523710	Bolt, Hex, Fin. 3/8-16 UNC x 1
25	19131312	Washer 13/32 x 13/16 x 12 Gauge
26	STD541437	Nut, Crownlock 3/8-16 UNC
27	17030808	Screw Spiderloc Hex Hd #8 x 1/2
28	140135	Grill
29	124029X	Lens, Headlight Bar
30	140001X417	Fender
31	136619	Bracket, Fender
33	105465X417	Footrest, Perforated, LH
34	105464X417	Footrest, Perforated, RH
35	STD533707	Bolt, Carriage 3/8-16 x 3/4
38	139886	Bracket Assembly, Pivot, Mower, Rear, LH
39	139887	Bracket Assembly, Pivot, Mower, Rear, RH
100	105037X	Strip Foam 18"
- -	5479J	Plug, Button

NOTE: All component dimensions given in U.S. inches
1 inch = 25.4 mm

REPAIR PARTS

15 HP 42" TRACTOR - - MODEL NUMBER 917.257591

DRIVE



REPAIR PARTS

15 HP 42" TRACTOR - - MODEL NUMBER 917.257591

DRIVE

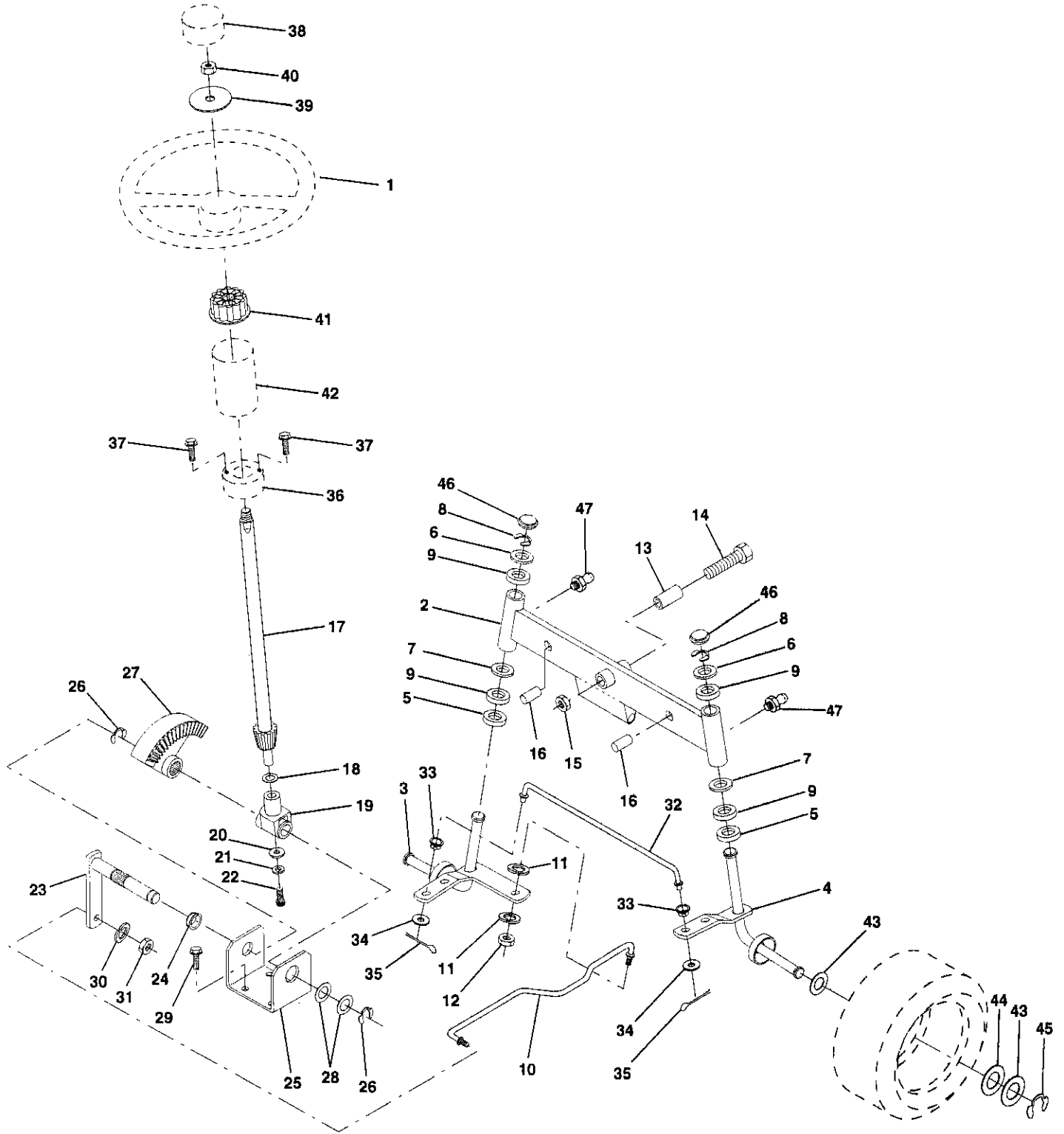
KEY NO.	PART NO.	DESCRIPTION	KEY NO.	PART NO.	DESCRIPTION
1	140607	Transaxle Assembly	61	17490612	Screw Thdrol. 3/8-16 x 3/4 Ty. TT
2	142431	Spring, Return, Brake	62	8883R	Cover, Pedal
3	144698	Pulley, Transaxle	63	140186	Pulley, Engine
8	141003	Rod Shift Hydro LT	64	71170764	Bolt, Hex
10	76020416	Pin Cotter 1/8 x 1 CAD	65	10040700	Washer
16	73800500	Nut Lock Hex w/Ins 5/16-18 Unc P	66	129221	Keeper Belt Engine
15	74780544	Bolt Fin Hex 5/16-18 Unc	69	142432	Screw
18	74780616	Bolt Fin Hex 3/8-16 Unc x 1 Gr. 5	70	134683	Keeper Belt Engine
19	73800600	Nut Lock Hex W/Wsh 3/8-16 Unc	71	141417	Strap Torque Lh Hydro 18 500
21	106933X	Knob, Rd. 1/2-13	72	19132012	Washer 13/32 x 1-1/4 x 12 Gauge
22	140217	Rod, Brake Hydro	73	141418	Strap Torque Rh Hydro 18 500
24	73350600	Nut	74	121199X	Spacer, Split
25	106888X	Spring, Brake Rod	75	121749X	Washer 25/32 x 1-1/4 x 16 Gauge
26	19131316	Washer	76	12000001	E-Ring
27	76020412	Pin Cotter 1/8 x 3/4 CAD.	77	123583X	Key, Square
28	140448	Rod, Parking Brake	78	121748X	Washer 25/32 x 1-5/8 x 16 Gauge
29	124236X	Cap, Parking Brake	81	141420	Shaft Asm. Cross Hydro 18" Tires
30	130807	Bracket, Transaxle	82	123782X	Spring Torsion T/A
31	127275X	Keeper Belt Lh	83	19171216	Washer 17/32 x 3/4 x 16 Ga.
32	74760512	Bolt Hex Hd 5/16-18 Unc x 3/4	84	141423	Rod, Tie Hydro 18" Tires
34	122424X	Shaft, Foot Pedal	86	71208	Bushing Rod Strig. 629/632 ID
35	120183X	Bearing, Nylon	87	19212016	Washer 21/32 x 1-1/4 x 16 Ga.
36	19211616	Washer	88	12000008	Ring Klip #5304-62
37	1572H	Pin, Roll	89	139988	Console, Shift
38	123674X	Pulley, Idler, Flat	91	74780536	Bolt Fin Hex 5/16-18 x 2-1/4
39	74760644	Bolt	92	74780524	Bolt Fin Hex 5/6-18 Unc x 1-1/2
40	4470J	Spacer, Split	93	142564	Line Fuel Hydro 4"
41	109070X	Keeper, Belt Retainer	94	140462	Fan, Hydro 7"
42	19131312	Washer 13/32 x 13/16 x 12 Gauge	95	144643	Control Asm. Bypass
44	105706X	Bearing, Nylon	96	4497H	Retainer Spring 1" Zinc/Cad
45	110812X	Washer, Hardened	97	144201	Keeper Bolt Rh Hydro 18 500
46	12000039	Ring, Klip	98	73510600	Nut Keps Hex 3/8-16 Unc
47	127783	Pulley, Idler, V-Groove	100	19111216	Washer 11/32 x 3/4 x 16 Ga.
48	123789X	Bellcrank Assembly	103	50831	Nut Nylon Insert 1/2-20 Unf.
49	123205X	Retainer, Belt	104	141421	Arm, Control Hydro Pump 500
50	74760624	Bolt	105	71070516	Screw Cap Hex 5/16 x 18 x 1
53	105710X	Link, Clutch	106	74780520	Bolt Fin Hex 5/16-18 Unc x 1-1/4
55	105709X	Spring, Return, Clutch	108	17541020	Screw Hex Hd #10-24 x 1-1/4
56	74760620	Bolt	109	145098	Adaptor, Fan/Pulley
57	141416	V-Belt, Ground Drive			
59	140312	Keeper, Center Span			

NOTE: All component dimensions give in U.S. inches.
1 inch = 25.4 mm.

REPAIR PARTS

15 HP 42" TRACTOR - - MODEL NUMBER 917.257591

STEERING ASSEMBLY



REPAIR PARTS

15 HP 42" TRACTOR - - MODEL NUMBER 917.257591

STEERING ASSEMBLY

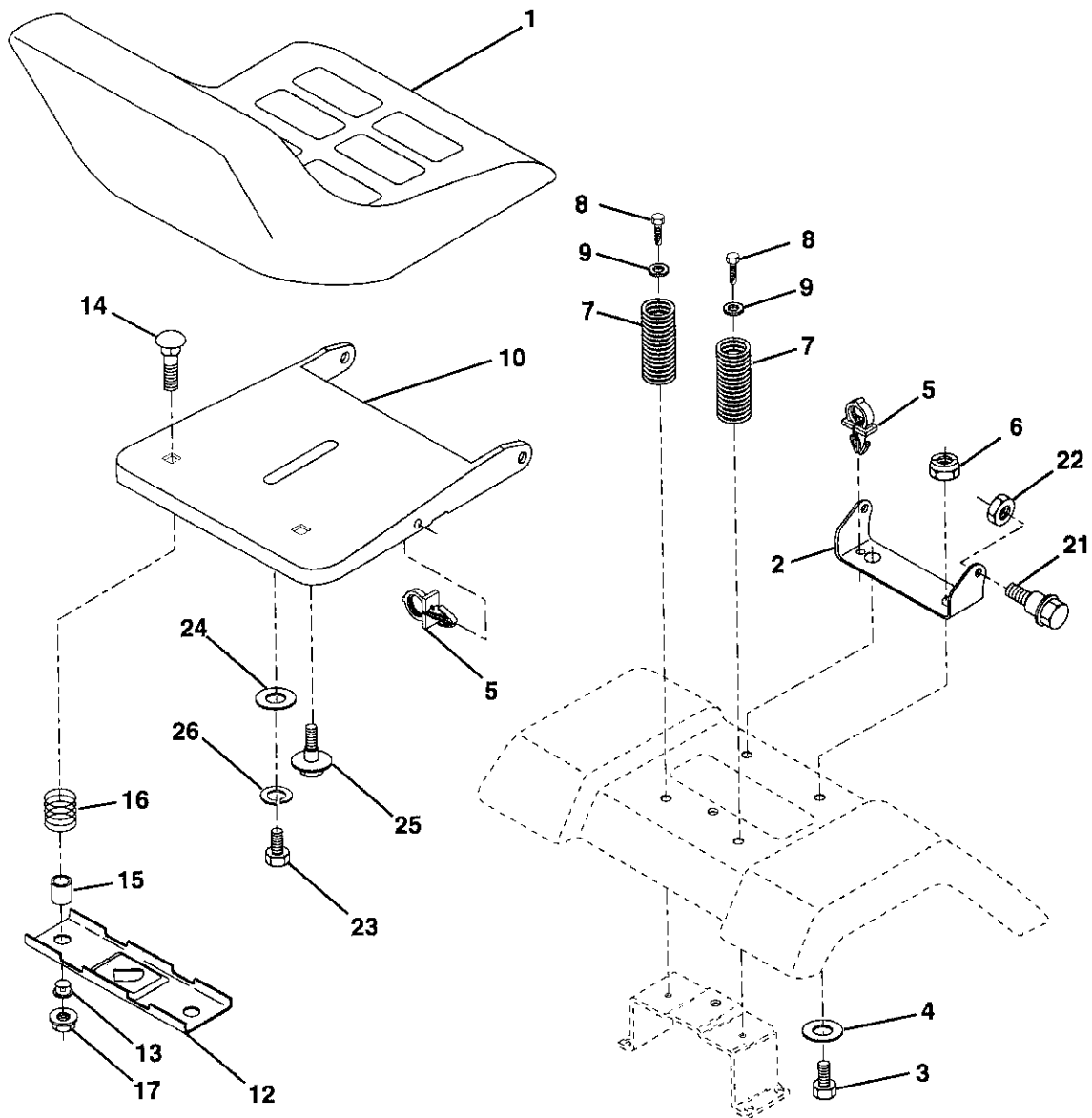
KEY NO.	PART NO.	DESCRIPTION
1	139768	Steering Wheel
2	142033	Axle Assembly, Front
3	135227	Spindle Assembly, LH
4	135228	Spindle Assembly, RH
5	6266H	Bearing, Thrust
6	121748X	Washer 25/32 x 1-5/8 x 16 Gauge
7	19272016	Washer 27/32 x 1-1/4 x 16 Gauge
8	12000029	Ring, Klip
9	3366R	Bearing, Steering Column
10	130468	Link, Drag
11	STD551137	Washer, Lock, Hvy Hlcl Spring 3/8
12	73610600	Nut, Hex, Fin. 3/8-24 UNF
13	110438X	Spacer, Bearing, Front Axle
14	74011056	Bolt, Hex Head 5/8-11 UNC x 3-1/2
15	73901000	Nut, Lock Flange 5/8-11 UNC
16	132624	Pin, Axle 5/8 x 1.55/1.54
17	132614	Shaft Assembly, Steering
18	57079	Washer, Thrust .515 x .750 x .033
19	124035X	Support, Shaft
20	126684X	Washer, Shim 1/4 x 5/8 x .062
21	STD551125	Washer, Lock, Heavy Helical Spring 1/4
22	71070410	Screw, Hex Socket Head 1/4-20 x 5/8
23	127501	Shaft Assembly, Pittman
24	109816X	Nyliner, Snap-In
25	124036X	Bracket, Steering
26	12000029	Ring, Klip
27	136874	Gear, Sector
28	6266H	Bearing, Thrust
29	17490612	Screw, Thd. Roll. 3/8-16 x 3/4
30	STD551137	Washer, Lock, Heavy Helical Spring 3/8
31	73610600	Nut, Hex, Fin. 3/8-24 UNF
32	130465	Rod, Tie
33	126847X	Bushing, Tie Rod
34	19131416	Washer 13/32 x 7/8 x 16 Gauge
35	STD561210	Pin, Cotter 1/8 x 3/4
36	132196	Bushing, Steering
37	STD611005	Screw, Self-Tapping #10-16 x 1/2
38	139769	Insert, Steering Wheel
39	19133808	Washer 13/32 x 2-3/8 x 8 Gauge
40	STD541537	Nut, Centerlock 3/8-24 UNF
41	104820X	Adaptor, Steering Wheel
42	124417X	Boot, Steering Shaft
43	121749X	Washer 25/32 x 1-1/4 x 16 Gauge
44	121748X	Washer 25/32 x 1-5/8 x 16 Gauge
45	12000029	Ring, Klip
46	121232X	Cap, Spindle
47	6855M	Fitting Grease

NOTE: All component dimensions given in U.S. inches
1 inch = 25.4 mm

REPAIR PARTS

15 HP 42" TRACTOR - - MODEL NUMBER 917.257591

SEAT ASSEMBLY



KEY NO.	PART NO.	DESCRIPTION
1	127437	Seat
2	140551	Bracket, Pivot, Seat
3	STD523710	Bolt, Hex, Fin. 3/8-16 UNC x 1
4	19131610	Washer 13/32 x 1 x 10 Gauge
5	140407	Clip, Push In .375 x .250
6	STD541437	Nut, Lock Hex W/Wsh 3/8-16 UNC
7	124181X	Spring, Seat
8	17490616	Screw, Thd. Roll. 3/8-16 x 1
9	19131614	Washer 13/32 x 1 x 14 Gauge
10	140552	Pan, Seat
12	121246X	Bracket, Switch Mounting
13	121248X	Bushing, Snap

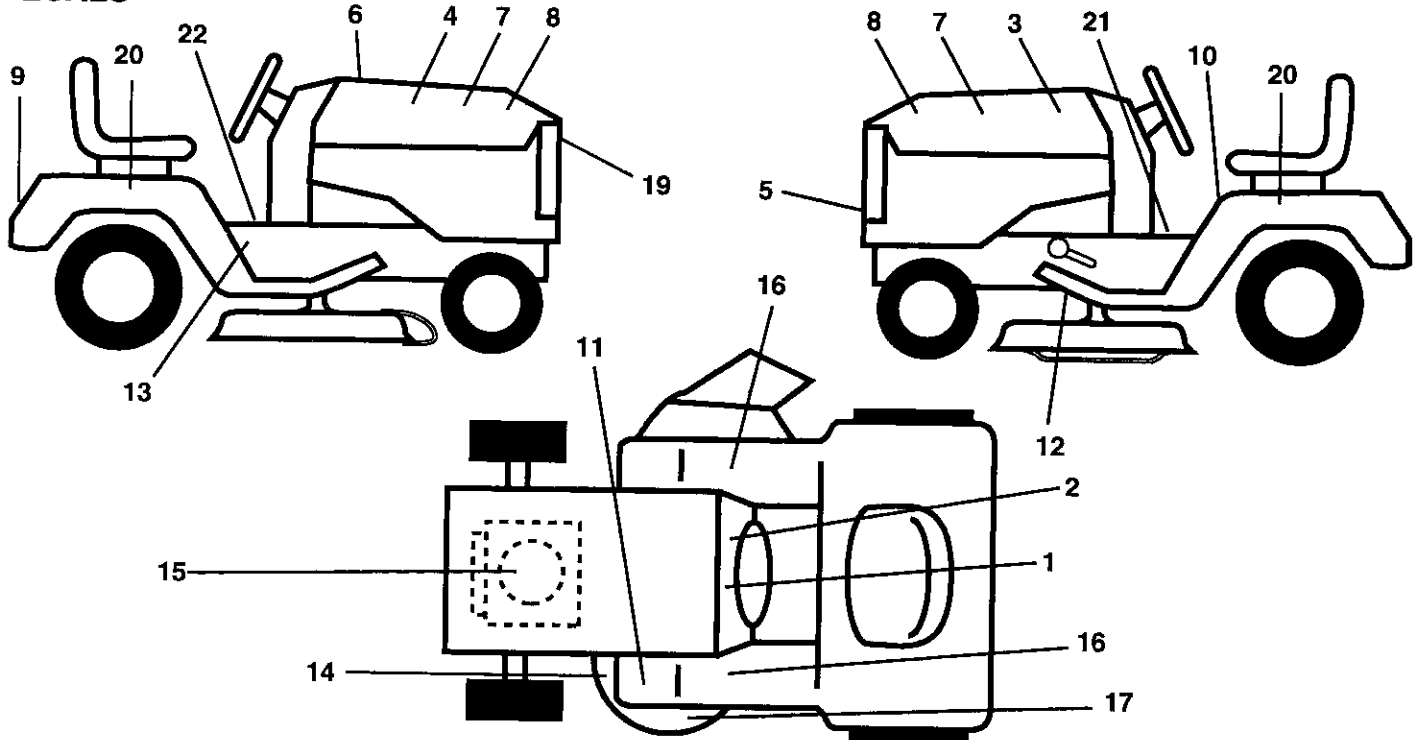
KEY NO.	PART NO.	DESCRIPTION
14	72050411	Bolt, Carriage 1/4-20 x 1-3/8
15	134300	Spacer, Split
16	121250X	Spring
17	123976X	Locknut 1/4 Grade 5
21	139888	Bolt, Shoulder 5/16-18 UNC
22	STD541431	Nut, Crownlock 5/16-18
23	74780814	Bolt, Hex, Fin. 1/2-13 x 7/8 Grade 5
24	19171912	Washer 17/32 x 1-3/16 x 12 Gauge
25	127018X	Bolt, Shoulder 5/16-18 x .62
26	STD551150	Washer, Lock, Hvy Hlcl Spring 1/2

NOTE: All component dimensions given in U.S. inches
1 inch = 25.4 mm

REPAIR PARTS

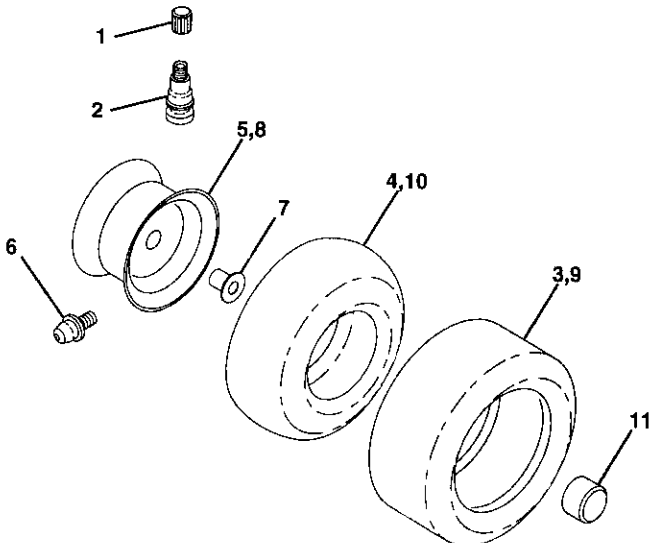
15 HP 42" TRACTOR - - MODEL NUMBER 917.257591

DECALS



KEY NO.	PART NO.	DESCRIPTION	KEY NO.	PART NO.	DESCRIPTION
1	138955	Decal, Operating Instruction	13	138145	Decal, Chassis Hydro 42"
2	138836	Decal, Dash Lawn Tractor LT	14	136830	Decal, Mower Drive Schematic
3	140561	Decal, Craftsman, Hood, LH	15	142239	Decal, Eng 15 HP B&S IC
4	140560	Decal, Craftsman, Hood, RH	16	105466X	Pad, Footrest Rbr. Sq. Craftsman
5	132674	Decal, LT4000, Craftsman, Grill	17	133179	Decal, Mower QC System
6	133644	Decal, Maintenance	19	131265	Decal, Lightbox
7	142248	Decal, 15 HP Side Panel	20	142271	Decal, Fender Hydro Black
8	142247	Decal, Insert Hood	21	142336	Decal, Sdl Cold Start Hydro Eng.
9	125880X	Decal, Craftsman, Fender	22	140837	Decal, Brake Parking Saddle
10	137537	Decal, Caution	--	138311	Decal, Lift Handle
11	4900J	Decal, Clutch/Brake	--	142341	Decal, Drawbar Control
12	109199X	Decal, V-Belt Drive Schematic	--	145056	Manual, Owner's (English)
			--	145057	Manual, Owner's (Spanish)

WHEELS & TIRES



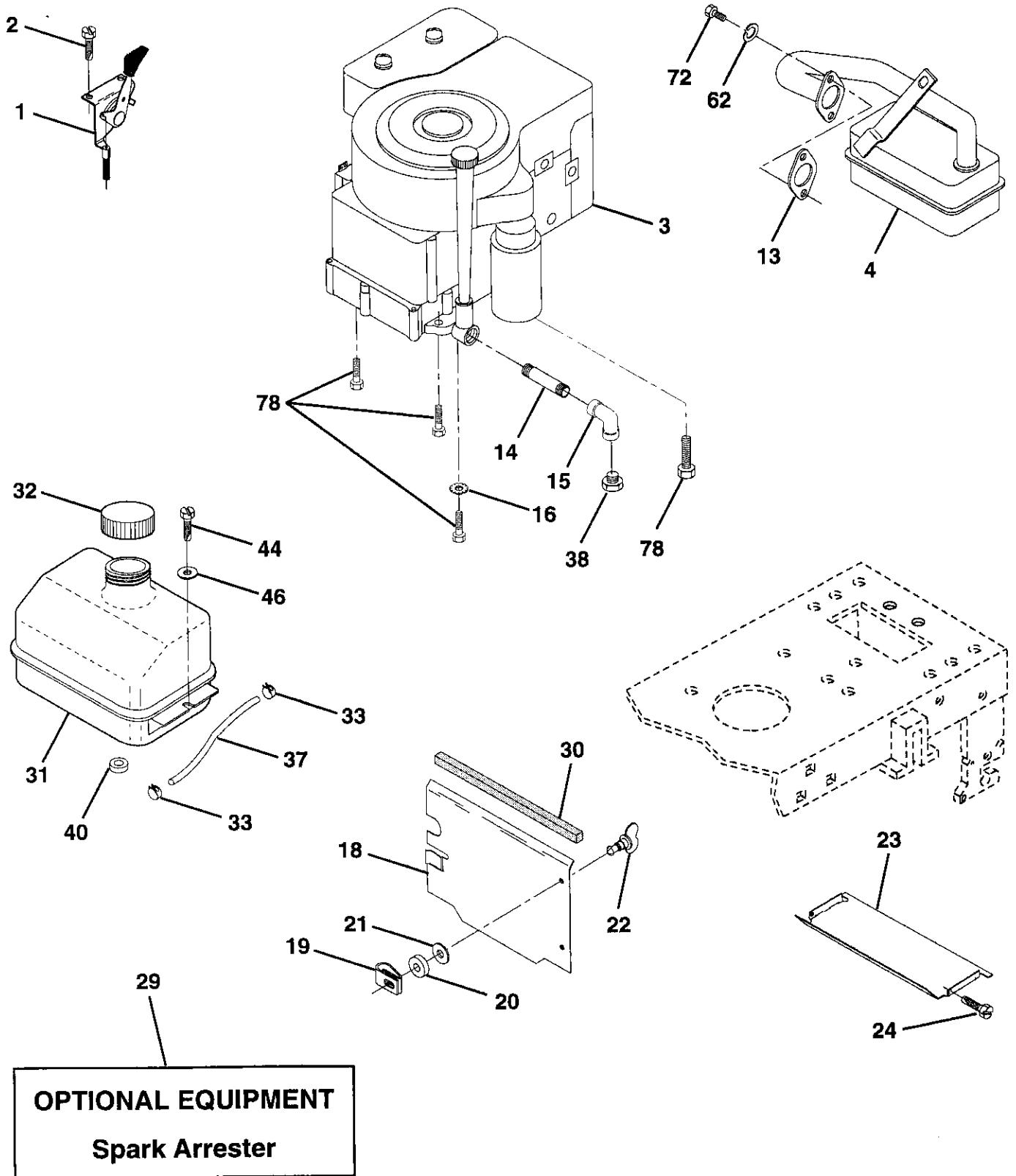
KEY NO.	PART NO.	DESCRIPTION
1	59192	Cap, Valve
2	65139	Stem, Valve
3	106222X	Tire, Front
4	59904	Tube, Tire, Front (Optional, Service Item Only)
5	106732X417	Rim Assembly, Front
6	278H	Fitting, Grease
7	9040H	Bearing, Flange
8	106108X417	Rim Assembly, Rear
9	124635X	Tire, Rear
10	7152J	Tube, Tire, Rear (Optional, Service Item Only)
11	104757X	Cover, Axle

NOTE: All component dimensions given in U.S. inches
1 inch = 25.4 mm

REPAIR PARTS

15 HP 42" TRACTOR -- MODEL NUMBER 917.257591

ENGINE



REPAIR PARTS

15 HP 42" TRACTOR - - MODEL NUMBER 917.257591

ENGINE

KEY NO.	PART NO.	DESCRIPTION
1	132759	Control, Throttle/Ch RH BIK
2	17720410	Screw, Hex Head, Thread Cutting 1/4-20 x 5/8
3	141129	Engine B&S 15 Hp Model No. 28N707, Type No. 0121-01
4	137352	Muffler, Exhaust
13	125593X	Gasket
14	13280324	Nipple, Pipe 3/8 NPT x 3
15	13200300	Elbow, Standard 90° 3/8-18 NPT
16	STD551237	Washer, Lock, External Tooth 3/8
18	136718	Shield, Heat
19	105839X	Receptacle, 1/4 Turn
20	105838X	Retainer, 1/4 Turn
21	STD551025	Washer 9/32 x 5/8 x 16 Gauge
22	123650X	Stud, 1/4 Turn
23	128953	Shield, Heat
24	STD601005	Screw, Hex Head, Self-Tapping #10-24 UNC x 1/2
29	137180	Arrestor, Spark
30	127057X	Pinch Weld Hood Black 2 00
31	109202X	Tank, Fuel
32	123549X	Cap Assembly, Fuel Tank, Vented
33	123487X	Clamp, Hose
37	137040	Line, Fuel
38	- - -	Plug, Oil Drain (Order From Engine Manufacturer)
40	124028X	Bushing, Snap, Nylon, Fuel Line
44	17490412	Screw, Hex Washer Head, Thd., Roll. 1/4-20 x 3/4
46	19091416	Washer 9/32 x 7/8 x 16 Gauge
62	STD551131	Washer, Lock, Hvy Hlcl Spring 5/16
72	71070512	Screw, Hex Cap Head 5/16-18 x 3/4
78	17490620	Screw, Thd., Roll. 3/8-16 x 1-1/4

NOTE: All component dimensions given in U.S. inches
1 inch = 25.4 mm

REPAIR PARTS

15 HP 42" TRACTOR - - MODEL NUMBER 917.257591

42" MOWER

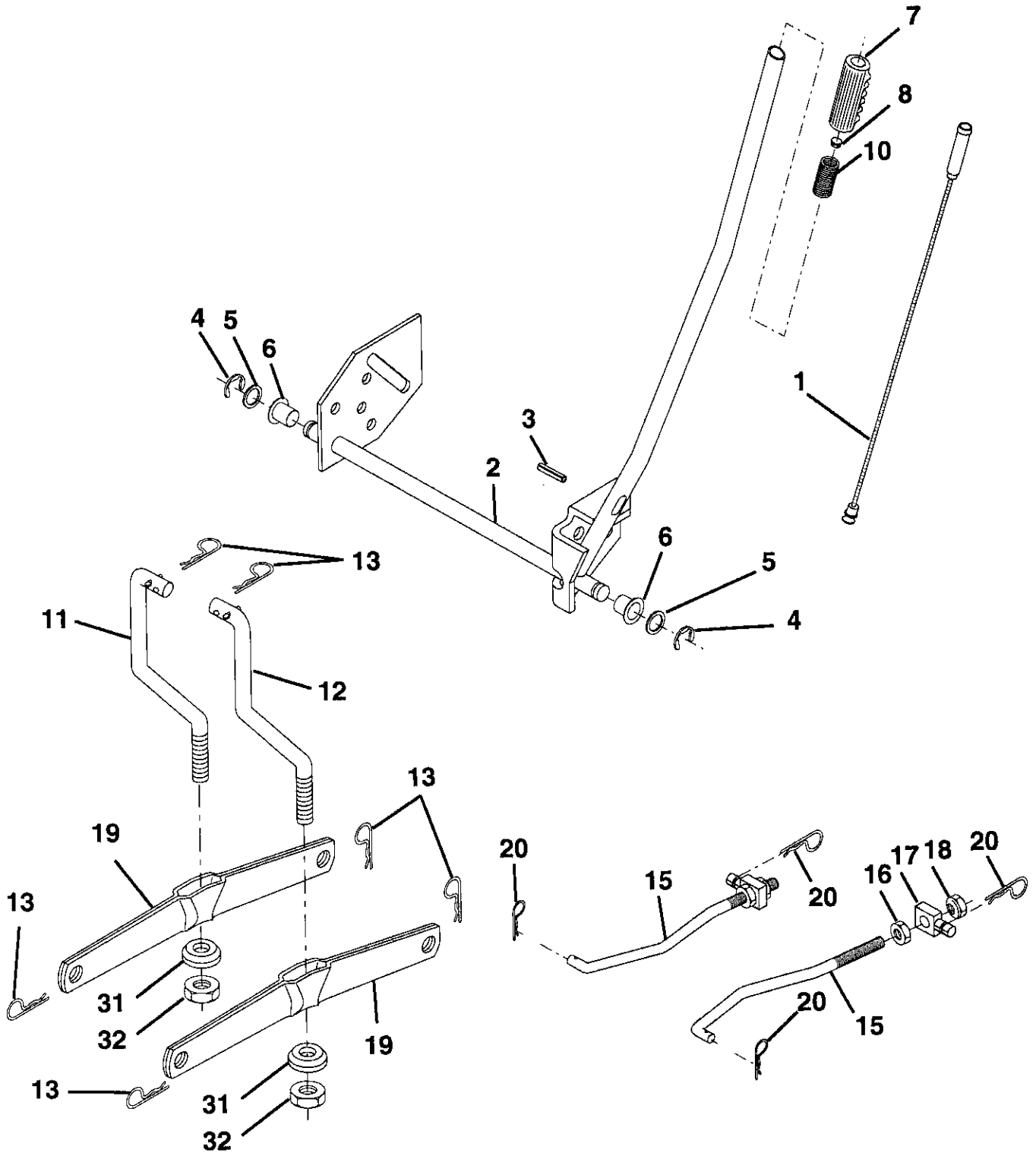
KEY NO.	PART NO.	DESCRIPTION	KEY NO.	PART NO.	DESCRIPTION
1	140081	Mower Housing	41	133551	Rod, Pivot, with Nibs
2	STD533107	Bolt	43	140083	Rod, Clutch, Secondary, with Nibs
3	138017	Bracket Assembly, Sway Bar, Front	44	140088	Guard, Mandrel, L.H.
4	138440	Bracket Assembly, Sway Bar	45	STD624003	Retainer
5	STD624008	Retainer Spring	46	137729	Screw, Thd. Roll 1/4-20 x 5/8
6	130832	Arm, Suspension, Rear	48	133944	Washer, Hardened
7	73800500	Locknut 5/16-18	49	133940	Roller Assembly, Cam Follower
8	850857	Bolt, Hex 3/8-24 x 1.25 Grade 8	50	131340	Bolt, Shoulder #10-24 Grade 5
9	STD551137	Washer, Lock	51	STD541410	Locknut
10	140296	Washer, Hardened	52	139888	Bolt, Shoulder 5/16-18 UNC
11	134149	Blade, Mulching	53	131845	Arm Assembly, Pad, Brake
12	129895	Bearing, Ball	54	133943	Washer, Hardened
13	137645	Shaft Assembly, Mandrel, Vented (Includes Key Number 6)	55	140084	Arm, Idler
14	128774	Housing, Mandrel, Vented	56	122052X	Spacer, Retainer
15	110485X	Bearing, Ball, Mandrel	57	140090	Keeper, Blet Lh Front 42" 94
16	140329	Stripper, Vented Mower Deck	58	140086	Spring, Torsion Brakes 42"
17	72110610	Bolt, Carriage 3/8-16 x 2-1/4	59	141043	Guard, Tuv Idler (94)
18	72140505	Bolt, Carriage 5/16-18 x 5/8	67	106932X	Knob, Round 3/8-16 UNC
19	132827	Bolt, Shoulder	68	140067	V-Belt
20	136888	Baffle, Vortex	71	142427	Rod, Clutch, Primary, with Nibs
22	134753	Stiffener Bracket	72	131870	Spring, Return
23	131267	Bracket, Deflector	73	127847	Arm, Clutch, Secondary
24	105304X	Cap, Sleeve	74	121748X	Washer 25/32 x 1-5/8 x 16 Gauge
25	123713X	Spring, Torsion, Deflector	75	12000029	Ring, Klip
26	110452X	Nut, Push	76	128903	Bolt, Shoulder 3/8-16 UNC x 1.44
27	130968	Shield, Deflector	77	127845	Keeper, Spring
28	19111016	Washer 11/32 x 5/8 x 16 Gauge	78	140334	Arm, Clutch, Primary
29	131491	Rod, Hinge	79	127498	Bushing, Large, Brass
30	138776	Screw Thdrol Hex Head Zinc Mwr	80	128759	Spring, Mower Clutch
31	129963	Washer, Spacer	81	73350600	Nut, Hex Jam 3/8-16 UNC
32	129861	Pulley, Mandrel	82	142028	Trunnion Adj. 94
33	137266	Nut, Toplock, Flanged	92	STD541437	Nut
34	STD533717	Bolt	--	130794	Mandrel Assembly (Includes Key Numbers 8-10, 12-15, 31 and 32)
35	133835	Fastner, Christmas Tree	--	140475	Mower Deck, Complete
36	131494	Pulley, Idler, Flat			
37	19131316	Washer 13/32 x 13/16 x 16 Ga.			

NOTE: All component dimensions given in U.S. inches.
1 inch = 25.4 mm.

REPAIR PARTS

15 HP 42" TRACTOR - - MODEL NUMBER 917.257591

MOWER LIFT



REPAIR PARTS

15 HP 42" TRACTOR - - MODEL NUMBER 917.257591

MOWER LIFT

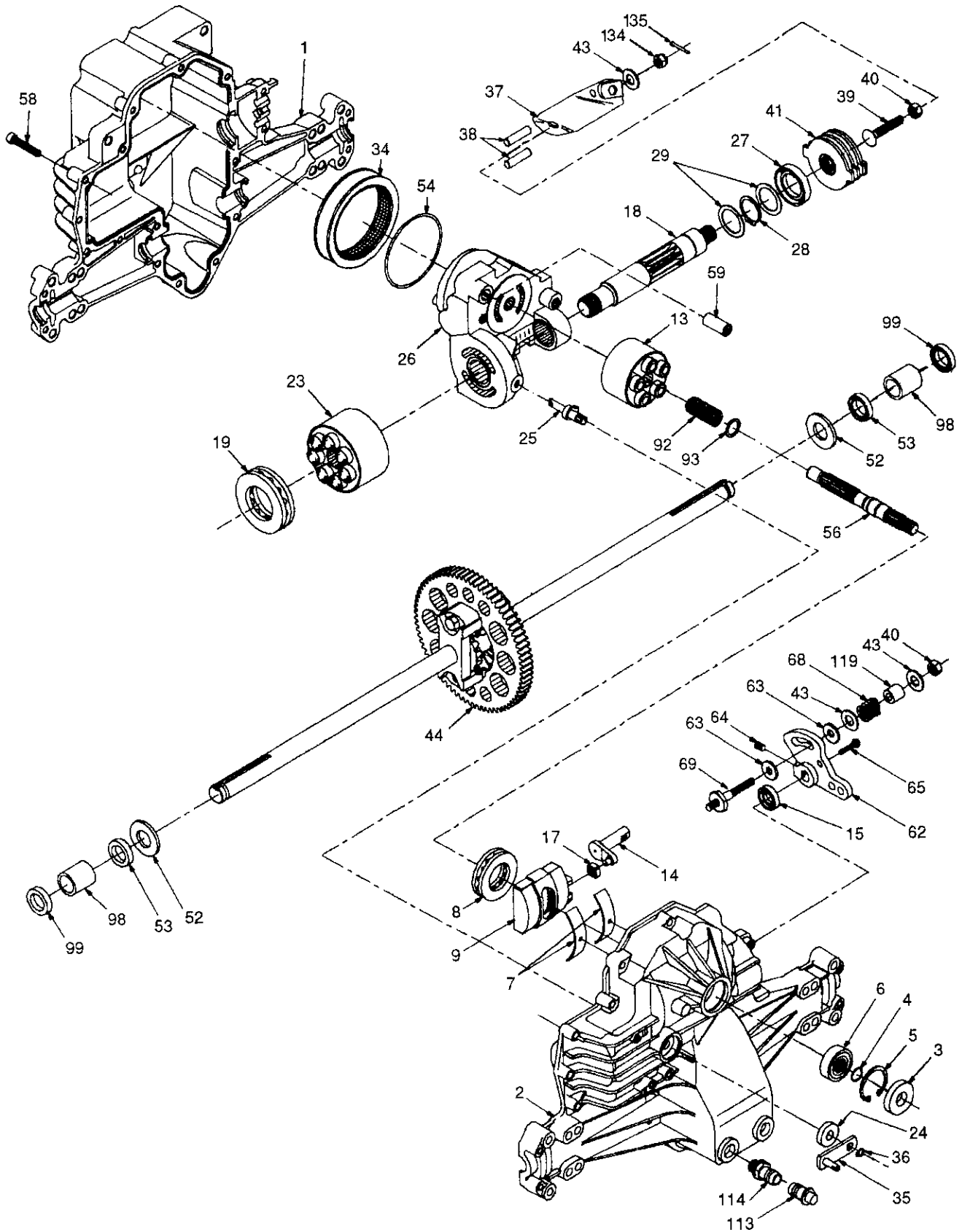
KEY NO.	PART NO.	DESCRIPTION
1	136973	Rod, Asm. Lever
2	122507X	Shaft Asm Lift
3	105767X	Pin Groove
4	12000002	E Ring #5133-62
5	19211621	Washer Pltd 21/32 x 1 x 21 Ga.
6	120183X	Bearing Nylon
7	125631X	Grip Handle Fluted
8	122365X	Button Plunger Red
10	122512X	Spring Cprsn
11	139865	Link Lift Lh
12	139866	Link Lift Rh
13	4939M	Retainer Spring
15	127218	Link Front
16	73350800	Nut Jam Hex 1/2 - 13 Unc
17	130171	Trunnion Blk Zinc
18	73800800	Nut Lock w/wsh 1/2 - 13 Unc
19	139868	Arm Suspension Rear
20	3146R	Spring Retainer
31	140302	Bearing Pvt. Lift Spherical
32	73810600	Nylock Nut 3/8-24

NOTE: All component dimensions given in U.S. inches
1 inch = 25.4 mm

REPAIR PARTS

15 HP 42" TRACTOR - - MODEL NUMBER 917.257591

HYDRO GEAR TRANSAXLE - MODEL NUMBER 310-0500



REPAIR PARTS

15 HP 42" TRACTOR - - MODEL NUMBER 917.257591

HYDRO GEAR TRANSAXLE - MODEL NUMBER 310-0500

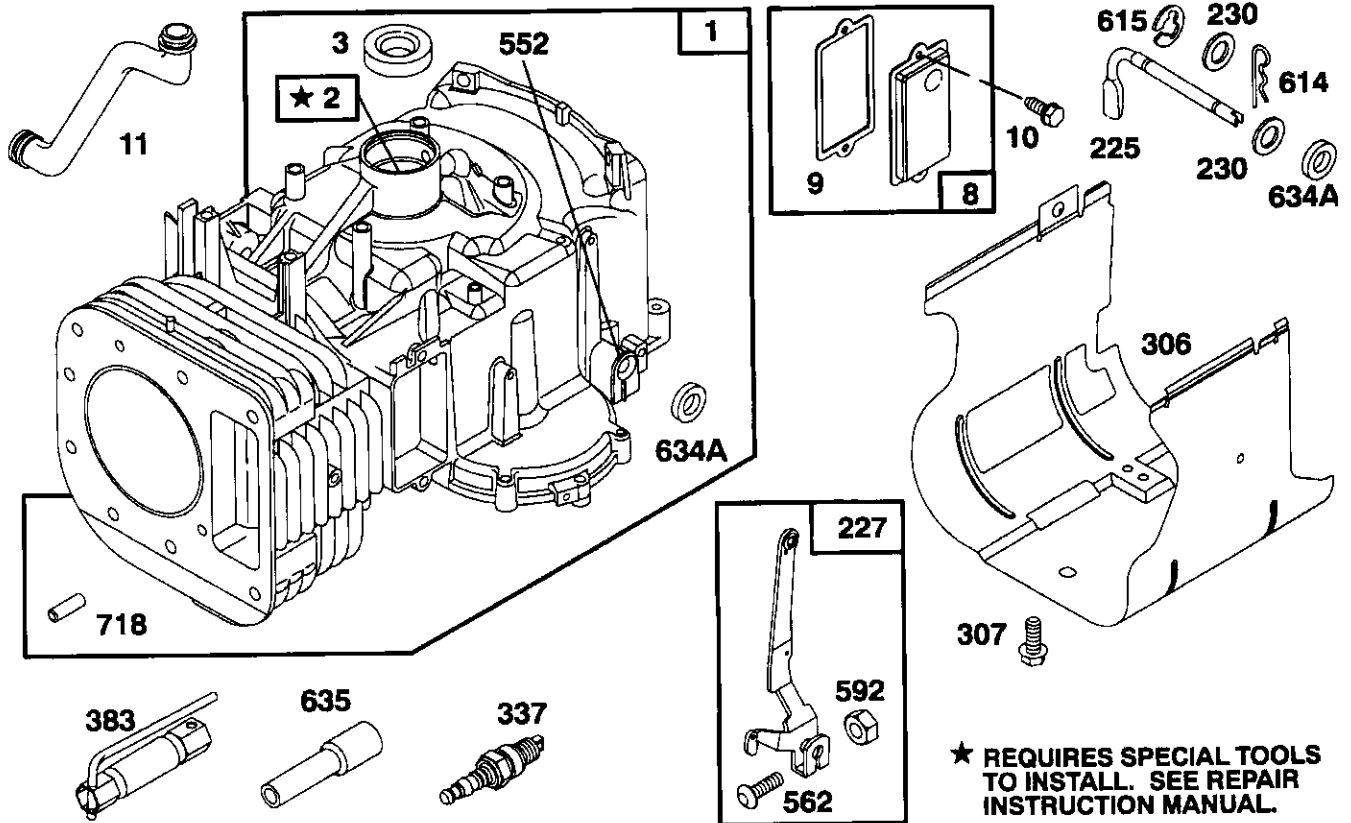
KEY PART NO. NO.	DESCRIPTION	KEY PART NO. NO.	DESCRIPTION
1 142986	Housing, Lower	40 142957	Locknut, Hex 5/16-24 UNJC
2 142987	Assembly, Upper Housing	41 142958	Brake Rotor/Stator Kit
3 142932	Seal, Lip	43 142884	Washer 7/16 x 7/8 x .060
4 142928	Ring, Wire Retaining	44 142990	Differential Assembly
5 142933	Ring, Retaining	52 142991	Washer 3/4 x 1.5 x .13
6 142934	Bearing, Shaft Ball	53 142961	Seal .75 x 1.25 x .250
7 142935	Bearing, Cradle	54 142962	O-Ring .103 x 2.987 ID
8 142936	Bearing, Thrust 30 x 52 x 13	56 142963	Shaft, Input
9 142937	Swashplate, Variable	58 142964	Bolt 1/4-20 x 1.38
13 142938	Block, Cylinder Assembly	59 142965	Pin .5 OD x .43 ID x .750
14 142939	Arm, Trunnion	62 142966	Arm, Control
15 142940	Seal, Lip	63 142967	Puck, Dampener
17 142941	Guide, Slot	64 142920	Set Screw
18 142988	Shaft, Motor	65 142968	Bolt #8-32 x .875
19 142943	Bearing, Thrust 42 x 68 x 16	68 142969	Spring
23 142944	Block, Cylinder Assembly	69 144610	Stud 5/16-24
24 142945	Seal, Lip 10 x 25 x 7	92 142977	Spring, Block
25 142946	Actuator, Bypass	93 142978	Washer, Block Thrust
26 142947	Center Section Assembly Kit	98 142993	Sleeve Bearing
27 142948	Seal, Lip 26 x 42 x 8	99 142976	Seal, Wiper
28 142949	Ring, Retaining	113 142917	Cap, Vent Assembly
29 142950	Washer 26 x 35 x 1	114 142918	Fitting, O-Ring Assembly
34 142951	Oil Filter Element	119 142980	Spacer
35 142952	Arm, Bypass	134 144607	Nut, Castle 5/16-24
36 142953	Ring, Retaining	135 144608	Pin, Cotter
37 142954	Arm, Actuating		
38 142955	Pin, Actuating		
39 142956	Bolt 5/16-24 x 1-3/4		

NOTE: All component dimensions given in U.S. inches
1 inch = 25.4 mm

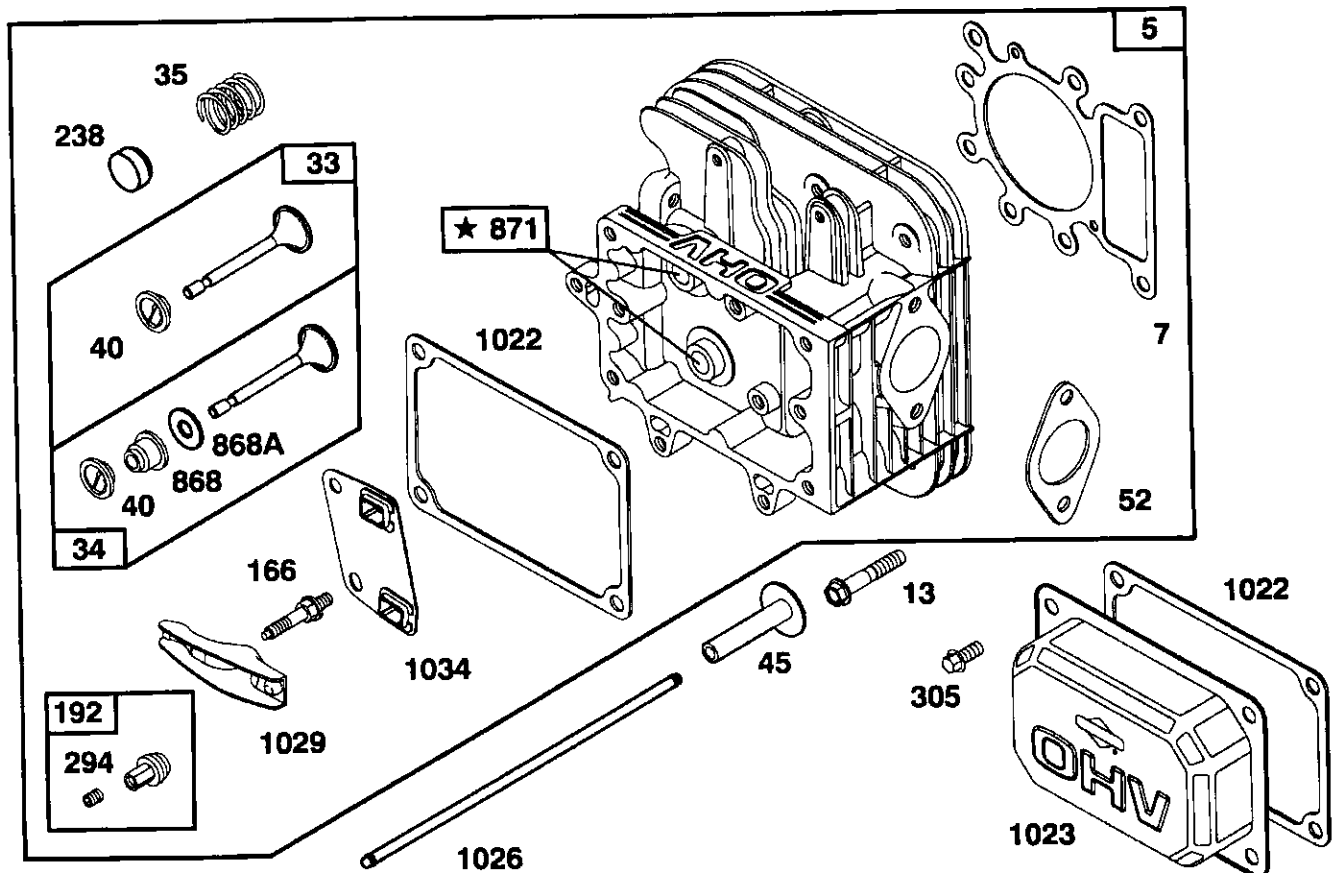
REPAIR PARTS

15 HP 42" TRACTOR - - MODEL NUMBER 917.257591

BRIGGS & STRATTON ENGINE - MODEL NO. 28N707, TYPE NO. 0121-01



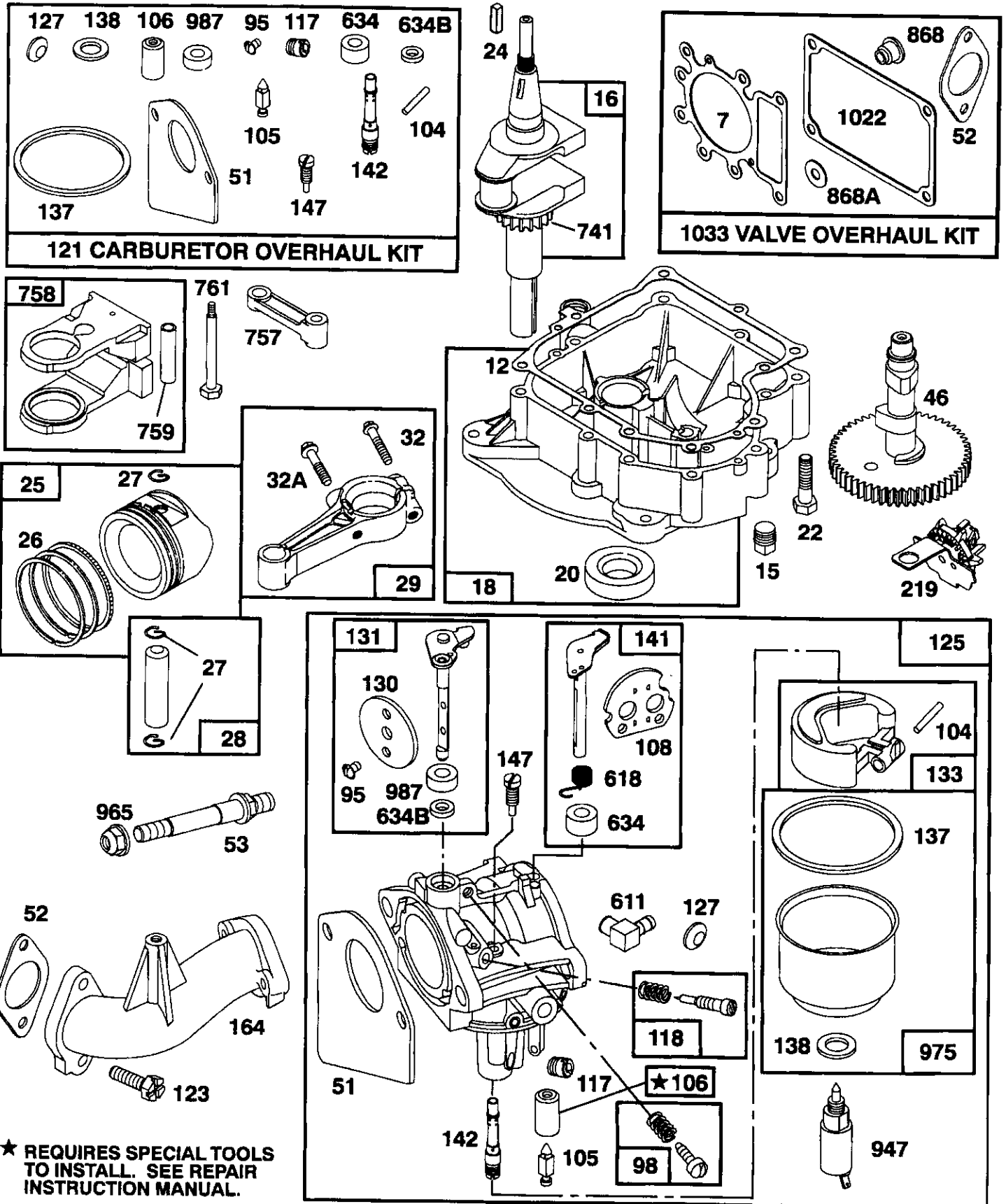
★ REQUIRES SPECIAL TOOLS TO INSTALL. SEE REPAIR INSTRUCTION MANUAL.



REPAIR PARTS

15 HP 42" TRACTOR -- MODEL NUMBER 917.257591

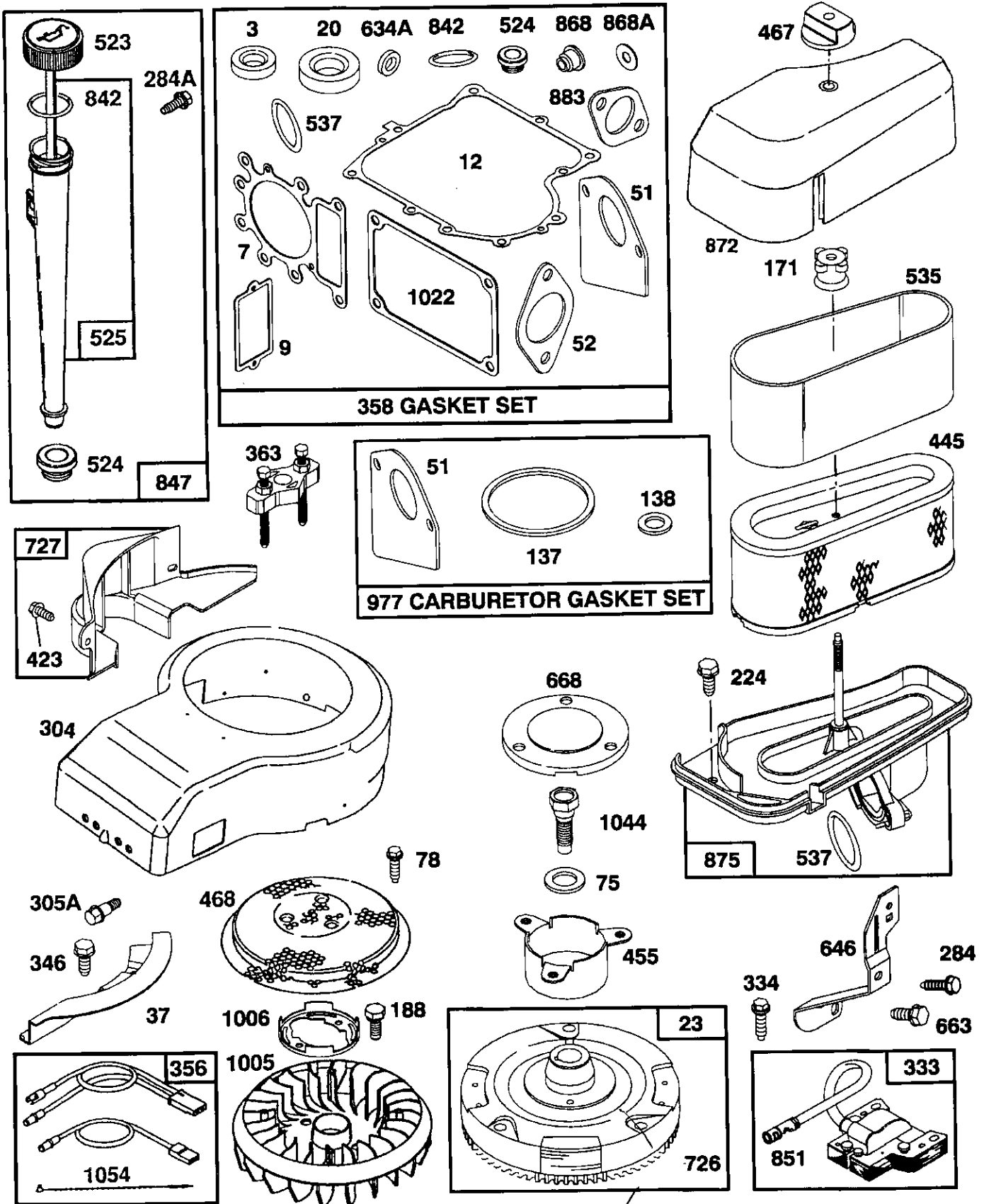
BRIGGS & STRATTON ENGINE - MODEL NO. 28N707, TYPE NO. 0121-01



REPAIR PARTS

15 HP 42" TRACTOR - - MODEL NUMBER 917.257591

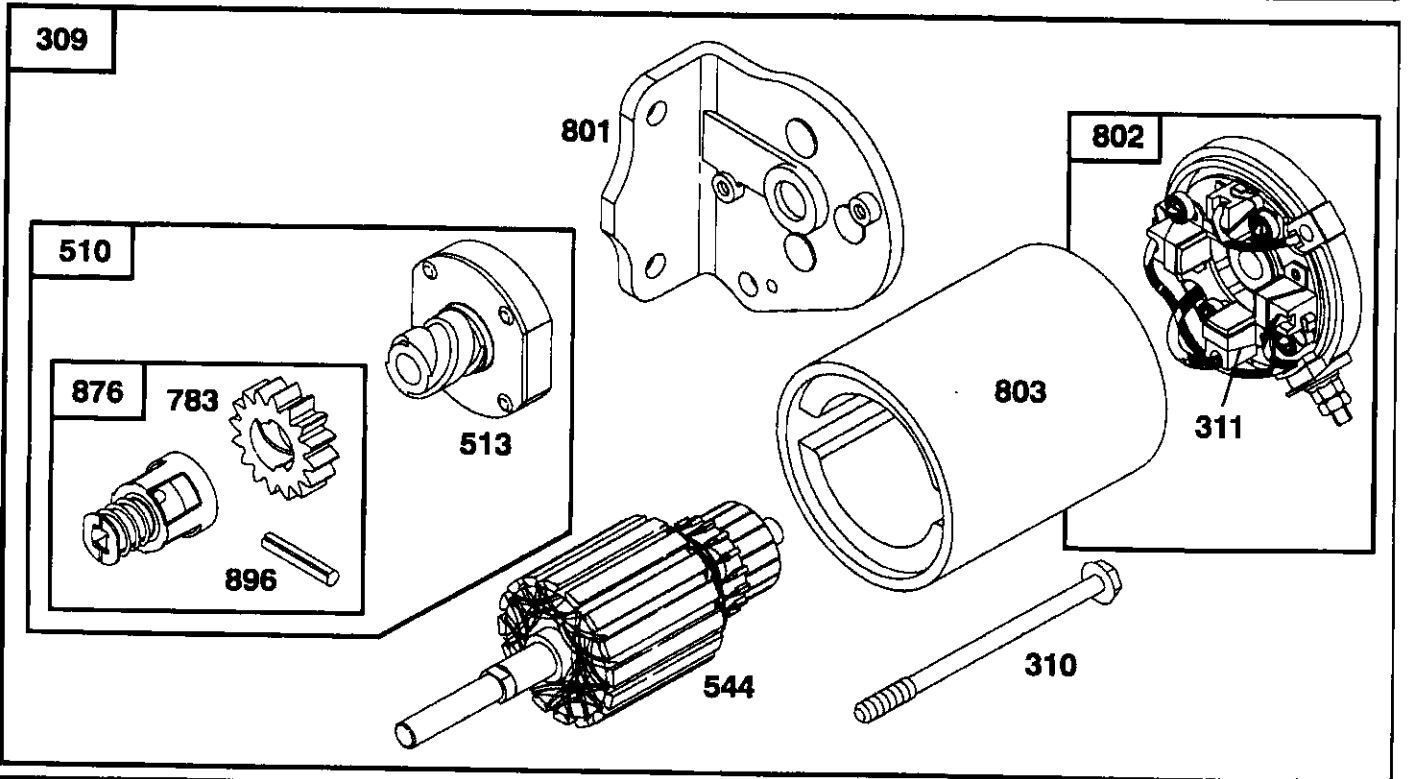
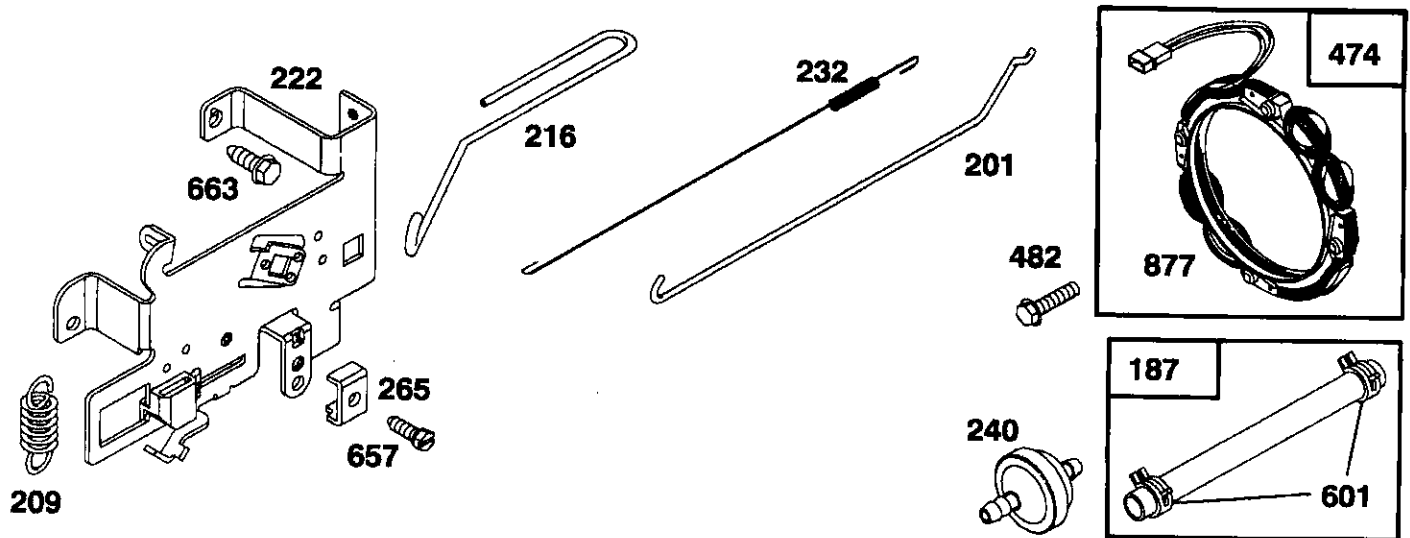
BRIGGS & STRATTON ENGINE - MODEL NO. 28N707, TYPE NO. 0121-01



REPAIR PARTS

15 HP 42" TRACTOR - - MODEL NUMBER 917.257591

BRIGGS & STRATTON ENGINE - MODEL NO. 28N707, TYPE NO. 0121-01



Reference Number		309	310	311	510	544	801	802	803
		Motor & Drive Assembly	Thru Bolt Assembly	Brush Assembly	Starter Drive Group	Armature Assembly	Drive End Cap Assembly	End Cap Assembly Commutator	Housing Assembly
Briggs & Stratton	Housing Length								
12V	3-21/32"	**394805	94003	395536	495878 *	390837	394856	395537 ***	398159



* Includes #398003 Clutch Assembly (Ref. No. 513) #280104 Gear (Ref. No. 783) #495877 Retainer and Pin (Ref. No. 876) #94288 Roll Pin (Ref. No. 896) ** Uses #94627 Screw-Hex. Head (Ref. No. 728) *** Includes Brush Set

REPAIR PARTS

15 HP 42" TRACTOR - - MODEL NUMBER 917.257591

BRIGGS & STRATTON ENGINE - MODEL NO. 28N707, TYPE NO. 0121-01

KEY PART NO. NO.	DESCRIPTION	KEY PART NO. NO.	DESCRIPTION
1 496412	Cylinder Assembly	52 272569	*** Gasket, Carburetor (Elbow to Cylinder)
2 399265	Bearing, Cylinder	53 94637	Stud, Carburetor Mounting
3 391086	* Seal, Oil	75 224061	Washer, Spring
5 495858	Head, Cylinder	78 94626	Screw, Sems
7 272614	*** Gasket, Cylinder Head	95 94098	** Screw, Throttle
8 495735	Breather Assembly	98 495800	Screw, Idle Speed
9 27803	* Gasket, Valve Cover	104 231789	** Pin, Float Hinge
10 94621	Screw, Sems	105 231855	** Valve Float
11 281246	Tube, Breather	106 231854	** Seat, Inlet Valve
12 271916	* Gasket, Crankcase Cover, 1/64"	108 224540	Valve, Choke
271997	* Gasket, Crankcase Cover, .005"	117 231858	** Jet, Needle Valve
271996	* Gasket, Crankcase Cover, .009"	118 495932	Valve, Needle
13 94728	Screw, Cylinder Head	121 495799	Carburetor Overhaul Kit
15 94239	Plug, Oil Drain	123 94616	Screw, Elbow Mounting
16 495162	Crankshaft	125 495935	Carburetor Assembly
94196	Timing Gear Key	127 - - -	** Plug, Welch (Sold in Kit Only)
18 494238	Base, Engine	130 224539	Valve, Throttle
20 291675	* Seal, Oil	131 494379	Shaft and Lever, Throttle
22 94624	Screw, Sems, Base Mounting	133 494381	Float, Carburetor
23 492326	Flywheel and Ring Gear Assembly, Magneto	137 281165	**** Gasket, Float Bowl
24 222698	Key, Flywheel	138 281164	**** Washer, Bowl
25 495860	Piston Assembly, Standard Size	141 495931	Shaft and Lever, Choke
495977	Piston Assembly, .010" Oversize	142 231859	** Nozzle, Carburetor
495978	Piston Assembly, .020" Oversize	147 231794	** Pilot, Jet
495979	Piston Assembly, .030" Oversize	164 214053	Elbow, Carburetor
26 495854	Ring Set, Piston, Standard Size	166 94555	Stud, Rocker Arm
495852	Ring Set, Piston, .010" Oversize	171 281051	Nut, Air Cleaner Mounting
495851	Ring Set, Piston, .020" Oversize	187 393815	Line, Fuel (11" Long, Cut to Suit)
495855	Ring Set, Piston, .030" Oversize	188 93535	Screw, Hex Head, 3/4
27 260924	Lock, Piston Pin	192 492160	Screw Assembly, Rocker Arm
28 299691	Pin Assy., Piston, Standard Size	201 262767	Link, Governor
391286	Pin Assy., Piston, .005" Oversize	209 260695	Spring, Governor
29 494504	Rod Assembly, Connecting	216 262766	Link, Choke
495490	Rod Assembly, Connecting, .020" Undersize Crankpin Bore	219 490815	Gear, Governor
32 94695	Screw, Hex Washer Head, 1-57/64	222 495611	Plate, Governor Control
32A 94648	Screw, Hex Washer Head, 1-5/8	224 94729	Screw, Sems, Air Cleaner
33 495856	Valve, Exhaust	225 231058	Crank, Governor
34 495857	Valve, Intake		
35 262811	Spring, Valve		
37 224502	Guard, Flywheel		
40 224641	Retainer, Valve Spring		
45 262411	Tappet, Valve		
46 494433	Gear, Cam		
51 272465	**** Gasket, Carburetor (Carburetor to Elbow) (Also Included in Gasket Set, Part Number 495993)		

- * Included in Gasket Set (495993)
- ** Included in Carburetor Kit (495799)
- *** Included in both Gasket Set (495993) and Valve Overhaul Kit (495992)
- **** Included in Gasket Set (495993), Carburetor Kit (495799) and Carburetor Gasket Set (494385)

NOTE: All component dimensions given in U.S. inches
1 inch = 25.4 mm

REPAIR PARTS

15 HP 42" TRACTOR - - MODEL NUMBER 917.257591

BRIGGS & STRATTON ENGINE - MODEL NO. 28N707, TYPE NO. 0121-01

KEY PART NO. NO.	DESCRIPTION	KEY PART NO. NO.	DESCRIPTION
227 493935	Lever Assembly, Governor	657 93496	Screw, Sems
230 94742	Washer, Governor Crank	668 280848	Spacer
232 262785	Spring, Governor Link	718 230192	Pin, Dowel
238 262836	Cap, Valve	726 392134	Gear, Ring (Includes Mounting Hardware)
240 394358	Filter, Fuel (In Fuel Line)	727 490324	Cover, Starter
265 221535	Clamp, Casing	741 262932	Gear, Timing
284 94326	Screw, Hex Head	757 213998	Link, Counterweight
284A 94073	Screw, Hex Head	758 399891	Counterweight Assembly
294 810068	Screw, Set	759 298909	Pin, Counterweight
304 496280	Housing, Blower	761 94593	Screw, Counterweight
305 94513	Screw, Hex, Head, Blower Housing Mounting	842 270920	* Seal, Oil Filler Cap
305A 94734	Screw, Hex Head, Blower Housing Mounting	847 496415	Fill Group, Oil
306 224696	Shield, Cylinder	851 224110	Terminal, Ignition Cable
307 94623	Screw, Cylinder Shield	868 494435	*** Seal Assembly, Valve
333 495859	Armature, Magneto	868A 272610	*** Gasket, Valve
334 93381	Screw, Sems, Armature Mounting	871 262835	Bushing, Guide (Intake & Exhaust)
337 491055	Plug, Spark	872 281361	Cover, Air Cleaner
346 93705	Screw, Hex Head	875 495862	Body, Air Cleaner
356 496070	Wire Assembly	877 393456	Diode and Connector Assembly
358 495993	Gasket Set	947 495739	Solenoid
363 19203	Puller, Flywheel	965 94108	Nut, Hex
383 89838	Wrench, Spark Plug	975 495933	Bowl Assembly, Carburetor
423 94073	Screw, Sems	977 494385	Carburetor Gasket Set
445 493909	Cartridge, Air Cleaner	987 281166	** Seal, Throttle Shaft
455 222561	Cup, Screen Mounting	1005 281355	Fan, Flywheel
467 493903	Knob, Air Cleaner	1006 224413	Retainer, Fan
468 224948	Screen, Flush Rotating	1022 272475	*** Gasket, Cover
474 393474	Stator, Alternator	1023 224552	Cover, Rocker Arm
482 93621	Screw, Sems	1026 494432	Rod, Push, Intake
523 495230	Cap and Dipstick, Oil Filler	495136	Rod, Push, Exhaust
524 68838	* Seal, Filler Tube	1029 224554	Arm, Rocker
525 496113	Tube, Oil Filler	1033 495992	Valve Overhaul Kit
535 272403	Element, Filter	1034 495248	Guide Assembly, Push Rod
537 281106	* O-Ring, Air Cleaner	1044 94673	Screw, Hex Head
552 231597	Bushing, Governor Crank	1054 270723	Tie, Cable
562 92613	Bolt, Governor Lever		
592 231082	Nut, Hex		
601 93053	Clamp, Fuel Pipe		
611 493496	Elbow, Fuel Pipe		
614 93306	Pin, Cotter		
615 93307	Retainer, E-Ring		
618 262803	Spring, Choke Return		
634 281168	** Seal, Choke Shaft		
634A 491323	* Seal, Governor		
634B 281167	** Washer, Throttle Shaft		
635 280872	Elbow, Spark Plug		
646 224546	Brace, Air Cleaner		

RPM Settings: Low Speed: 1650-1850
High Speed: 3200-3400

- * Included in Gasket Set (495993)
- ** Included in Carburetor Kit (495799)
- *** Included in both Gasket Set (495993) and Valve Overhaul Kit (495992)
- **** Included in Gasket Set (495993), Carburetor Kit (495799) and Carburetor Gasket Set (494385)

NOTE: All component dimensions given in U.S. inches
1 inch = 25.4 mm

SERVICE NOTES
