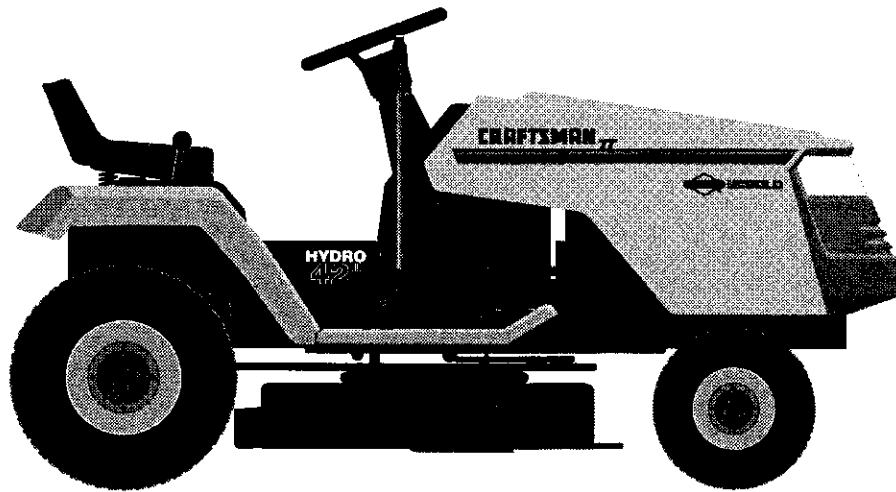


SEARS

CRAFTSMAN®

MODEL NUMBER 917.257592 OWNER'S MANUAL

- **Assembly**
- **Operation**
- **Customer Responsibilities**
- **Service and Adjustments**
- **Repair Parts**



CAUTION: Read and follow all safety rules and instructions before operating this equipment.

Sears, Roebuck and Co., Hoffman Estates, IL 60179 U.S.A.



SAFETY RULES

Safe Operation Practices for Ride-On Mowers



IMPORTANT: THIS CUTTING MACHINE IS CAPABLE OF AMPUTATING HANDS AND FEET AND THROWING OBJECTS. FAILURE TO OBSERVE THE FOLLOWING SAFETY INSTRUCTIONS COULD RESULT IN SERIOUS INJURY OR DEATH.

I. GENERAL OPERATION

- Read, understand, and follow all instructions in the manual and on the machine before starting.
- Only allow responsible adults, who are familiar with the instructions, to operate the machine.
- Clear the area of objects such as rocks, toys, wire, etc., which could be picked up and thrown by the blade.
- Be sure the area is clear of other people before mowing. Stop machine if anyone enters the area.
- Never carry passengers.
- Do not mow in reverse unless absolutely necessary. Always look down and behind before and while backing.
- Be aware of the mower discharge direction and do not point it at anyone. Do not operate the mower without either the entire grass catcher or the guard in place.
- Slow down before turning.
- Never leave a running machine unattended. Always turn off blades, set parking brake, stop engine, and remove keys before dismounting.
- Turn off blades when not mowing.
- Stop engine before removing grass catcher or unclogging chute.
- Mow only in daylight or good artificial light.
- Do not operate the machine while under the influence of alcohol or drugs.
- Watch for traffic when operating near or crossing roadways.
- Use extra care when loading or unloading the machine into a trailer or truck.

II. SLOPE OPERATION

Slopes are a major factor related to loss-of-control and tipover accidents, which can result in severe injury or death. All slopes require extra caution. If you cannot back up the slope or if you feel uneasy on it, do not mow it.

DO:

- Mow up and down slopes, not across.
- Remove obstacles such as rocks, tree limbs, etc.
- Watch for holes, ruts, or bumps. Uneven terrain could overturn the machine. *Tall grass can hide obstacles.*
- Use slow speed. Choose a low gear so that you will not have to stop or shift while on the slope.
- Follow the manufacturer's recommendations for wheel weights or counterweights to improve stability.
- Use extra care with grass catchers or other attachments. These can change the stability of the machine.
- Keep all movement on the slopes *slow* and *gradual*. Do not make sudden changes in speed or direction.
- Avoid starting or stopping on a slope. If tires lose traction, disengage the blades and proceed slowly *straight* down the slope.

DO NOT:

- *Do not* turn on slopes unless necessary, and then, turn slowly and gradually downhill, if possible.
- *Do not* mow near drop-offs, ditches, or embankments. The mower could suddenly turn over if a wheel is over the edge of a cliff or ditch, or if an edge caves in.
- *Do not* mow on wet grass. Reduced traction could cause sliding.
- *Do not* try to stabilize the machine by putting your foot on the ground.
- *Do not* use grass catcher on steep slopes.

III. CHILDREN

Tragic accidents can occur if the operator is not alert to the presence of children. Children are often attracted to the machine and the mowing activity. *Never* assume that children will remain where you last saw them.

- Keep children out of the mowing area and under the watchful care of another responsible adult.
- Be alert and turn machine off if children enter the area.
- Before and when backing, look behind and *down* for small children.
- Never carry children. They may fall off and be seriously injured or interfere with safe machine operation.
- Never allow children to operate the machine.
- Use extra care when approaching blind corners, shrubs, trees, or other objects that may obscure vision.

IV. SERVICE

- Use extra care in handling gasoline and other fuels. They are flammable and vapors are explosive.
 - Use only an approved container.
 - Never remove gas cap or add fuel with the engine running. Allow engine to cool before refueling. Do not smoke.
 - Never refuel the machine indoors.
 - Never store the machine or fuel container inside where there is an open flame, such as a water heater.
- Never run a machine inside a closed area.
- Keep nuts and bolts, especially blade attachment bolts, tight and keep equipment in good condition.
- Never tamper with safety devices. Check their proper operation regularly.
- Keep machine free of grass, leaves, or other debris build-up. Clean oil or fuel spillage. Allow machine to cool before storing.
- Stop and inspect the equipment if you strike an object. Repair, if necessary, before restarting.
- Never make adjustments or repairs with the engine running.
- Grass catcher components are subject to wear, damage, and deterioration, which could expose moving parts or allow objects to be thrown. Frequently check components and replace with manufacturer's recommended parts, when necessary.
- Mower blades are sharp and can cut. Wrap the blade(s) or wear gloves, and use extra caution when servicing them.
- Check brake operation frequently. Adjust and service as required.



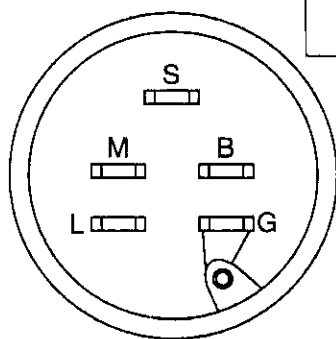
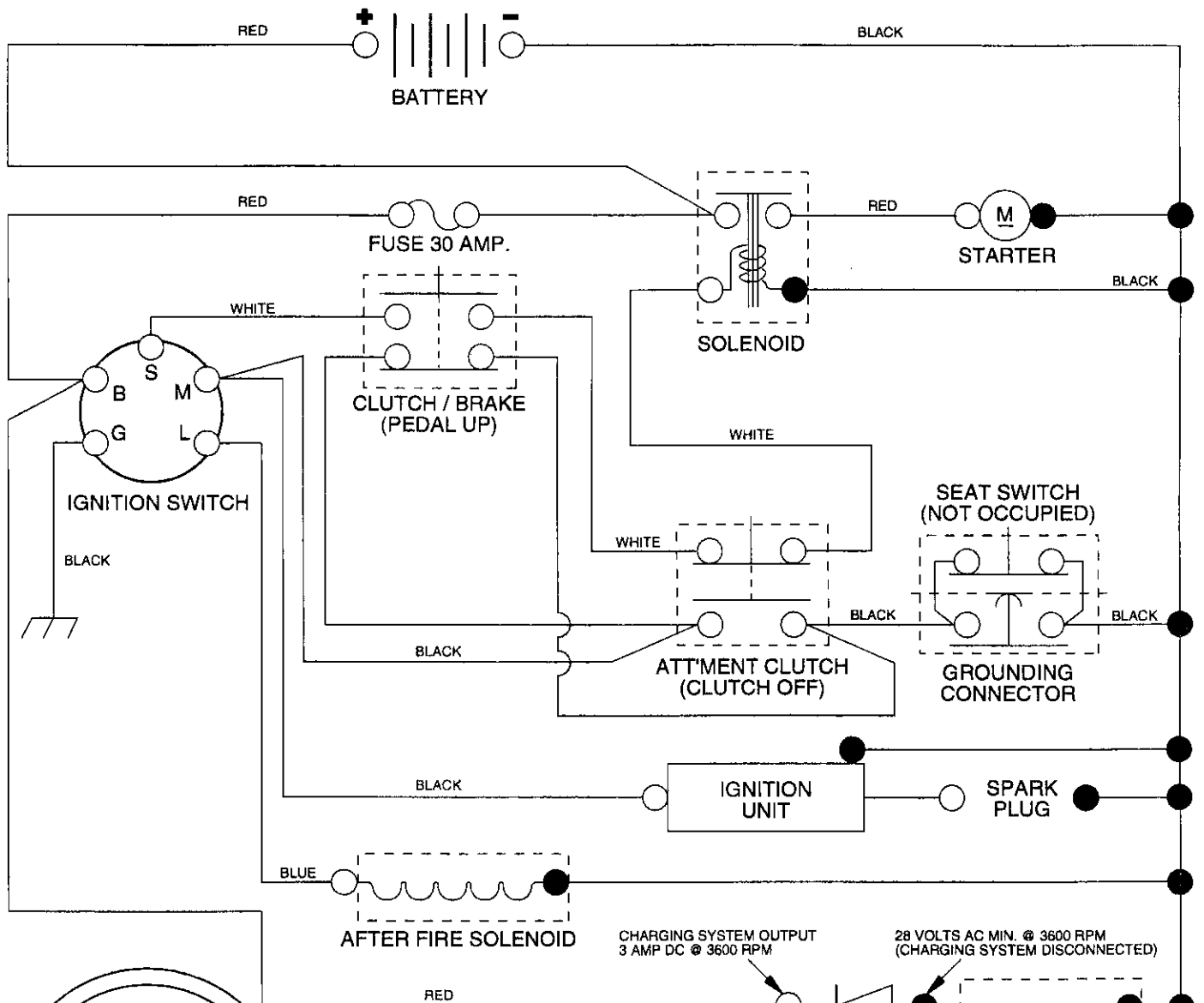
Look for this symbol to point out important safety precautions. It means CAUTION!!! BECOME ALERT!!! YOUR SAFETY IS INVOLVED.



CAUTION: Always disconnect spark plug wire and place wire where it cannot contact spark plug in order to prevent accidental starting when setting up, transporting, adjusting or making repairs.

15 HP 42" TRACTOR - - MODEL NUMBER 917.257592

SCHEMATIC



IGNITION SWITCH

POSITION	CIRCUIT
OFF	M + G
ON	B + L
START	B + S + L

NOTE
YOUR TRACTOR IS EQUIPPED WITH A SPECIAL ALTERNATOR SYSTEM. THE LIGHTS ARE NOT CONNECTED TO THE BATTERY, BUT HAVE THEIR OWN ELECTRICAL SOURCE. BECAUSE OF THIS, THE BRIGHTNESS OF THE LIGHTS WILL CHANGE WITH ENGINE SPEED. AT IDLE THE LIGHTS WILL DIM. AS THE ENGINE IS SPEEDED UP, THE LIGHTS WILL BECOME THEIR BRIGHTEST.

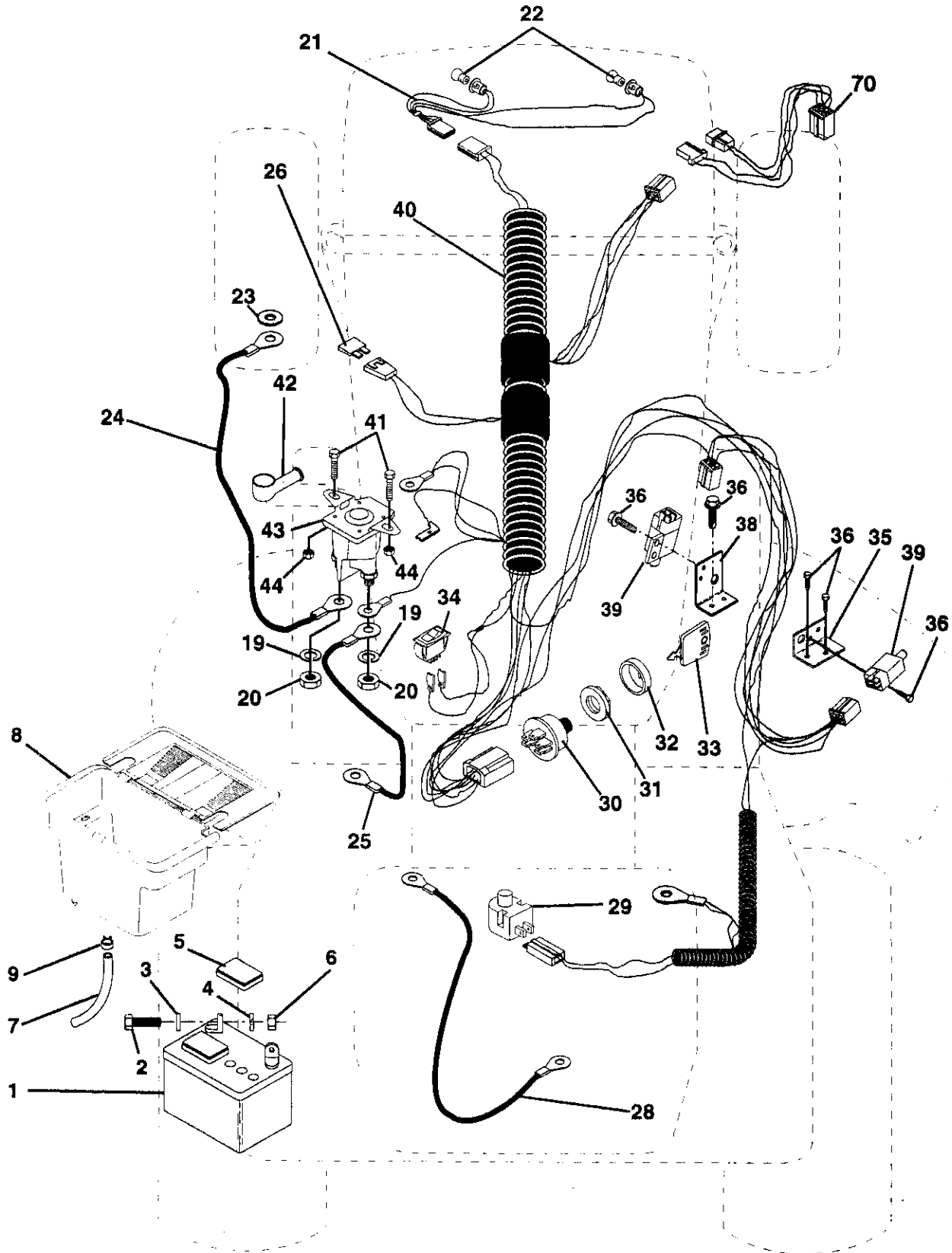
WIRING INSULATED CLIPS
NOTE: IF WIRING INSULATED CLIPS WERE REMOVED FOR SERVICING OF UNIT, THEY SHOULD BE REPLACED TO PROPERLY SECURE YOUR WIRING.



REPAIR PARTS

15 HP 42" TRACTOR - - MODEL NUMBER 917.257592

ELECTRICAL



REPAIR PARTS

15 HP 42" TRACTOR - - MODEL NUMBER 917.257592

ELECTRICAL

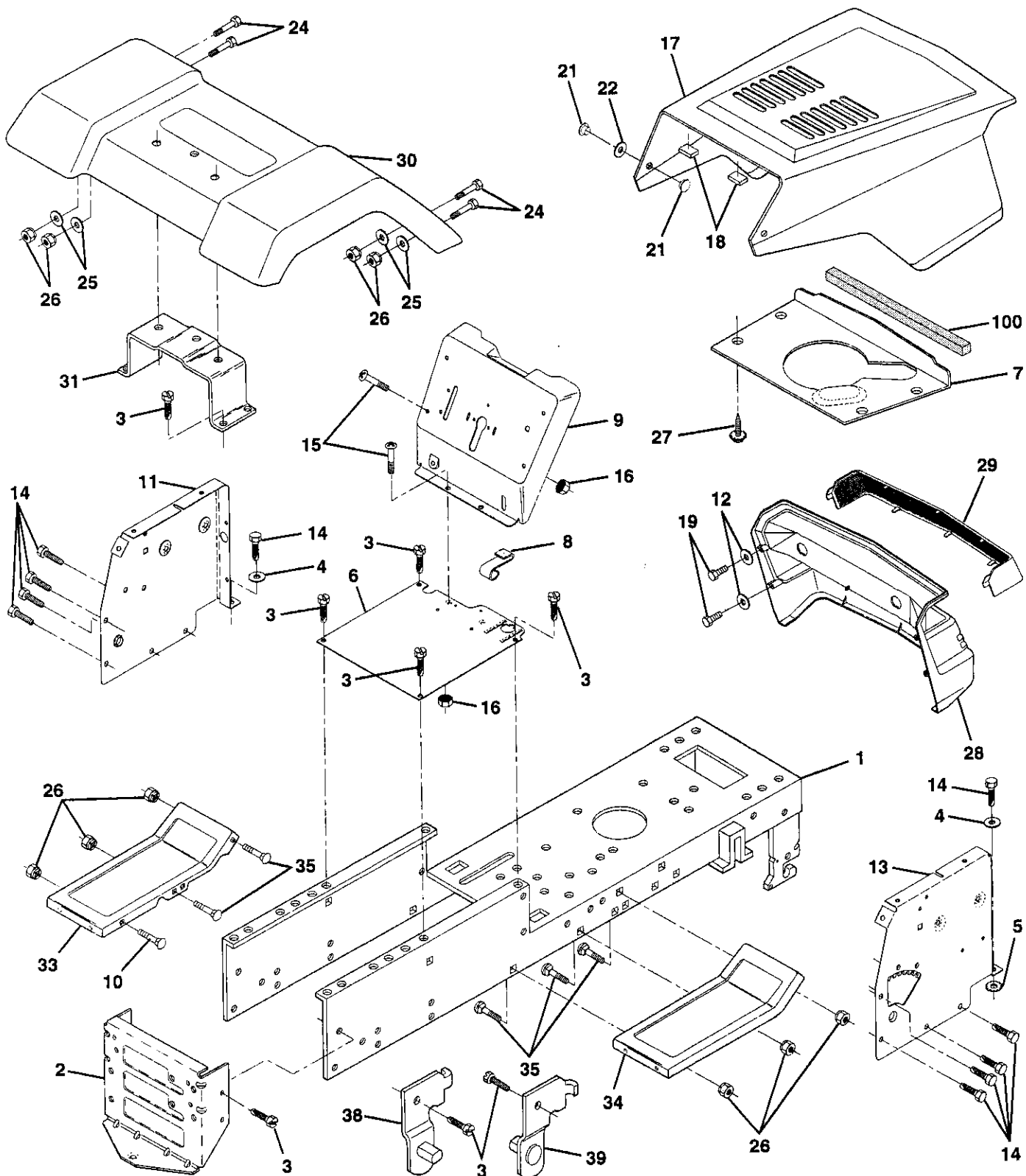
KEY NO.	PART NO.	DESCRIPTION
1	121265X	Battery 12 Volt 25 Amp
2	74760412	Bolt Hex Hd 1/4-20unc X 3/4
3	19091016	Washer 9/32 X 5/8 X 16 Ga
4	10040400	Washer Lock Hvy Helical 1/4
5	121264X	Caps Battery 20/25/30 AMP
6	73220400	Nut Fin Hex 1/4-20 Unc
7	109238X	Tube Plastic 12"
8	129965	Case Battery
9	109596X	Clamp Hose Olive
19	10090400	Washer Lock 1/4
20	73350400	Nut Jam Hex 1/4-20 Unc
21	136850	Harness Asm Light W/4152J
22	4152J	Bulb Light #1156
23	11150400	Washer Lock Internal Tooth 1/4
24	4799J	Cable Battery 6 Ga 11"red
25	132202	Cable Battery 6 Ga 43"red
26	108824X	Fuse 30 AMP Auto Green
28	4207J	Cable Ground 6 Ga 12" black
29	121305X	Switch Plunger Nc Gray
30	144921	Switch Ign 3
31	140400	Nut Ignition
32	141226	Cover Sw Ignition
33	140403	Key Ign
34	110712X	Switch Light Blk Blk Red
35	108236X	Bracket Switch Clutch
36	17021008	Screw Tap Hex #10-24unc X 1/2
38	140336	Bracket Switch Interlock
39	109553X	Switch Intlk Clutch Gry 4 Term
40	140415	Harness Ign
41	71110408	Bolt Blk Fin Hex 1/4-20 x 1/2
42	131563	Cover Terminal Red
43	138406	Solenoid
44	73640400	Nut Keps Hex 1/4-20 Unc
70	140422	Harness Eng Briggs/Tec Dual

NOTE: All component dimensions give in U.S. inches
1 inch = 25.4 mm.

REPAIR PARTS

15 HP 42" TRACTOR - - MODEL NUMBER 917.257592

CHASSIS AND ENCLOSURES



REPAIR PARTS

15 HP 42" TRACTOR - - MODEL NUMBER 917.257592

CHASSIS AND ENCLOSURES

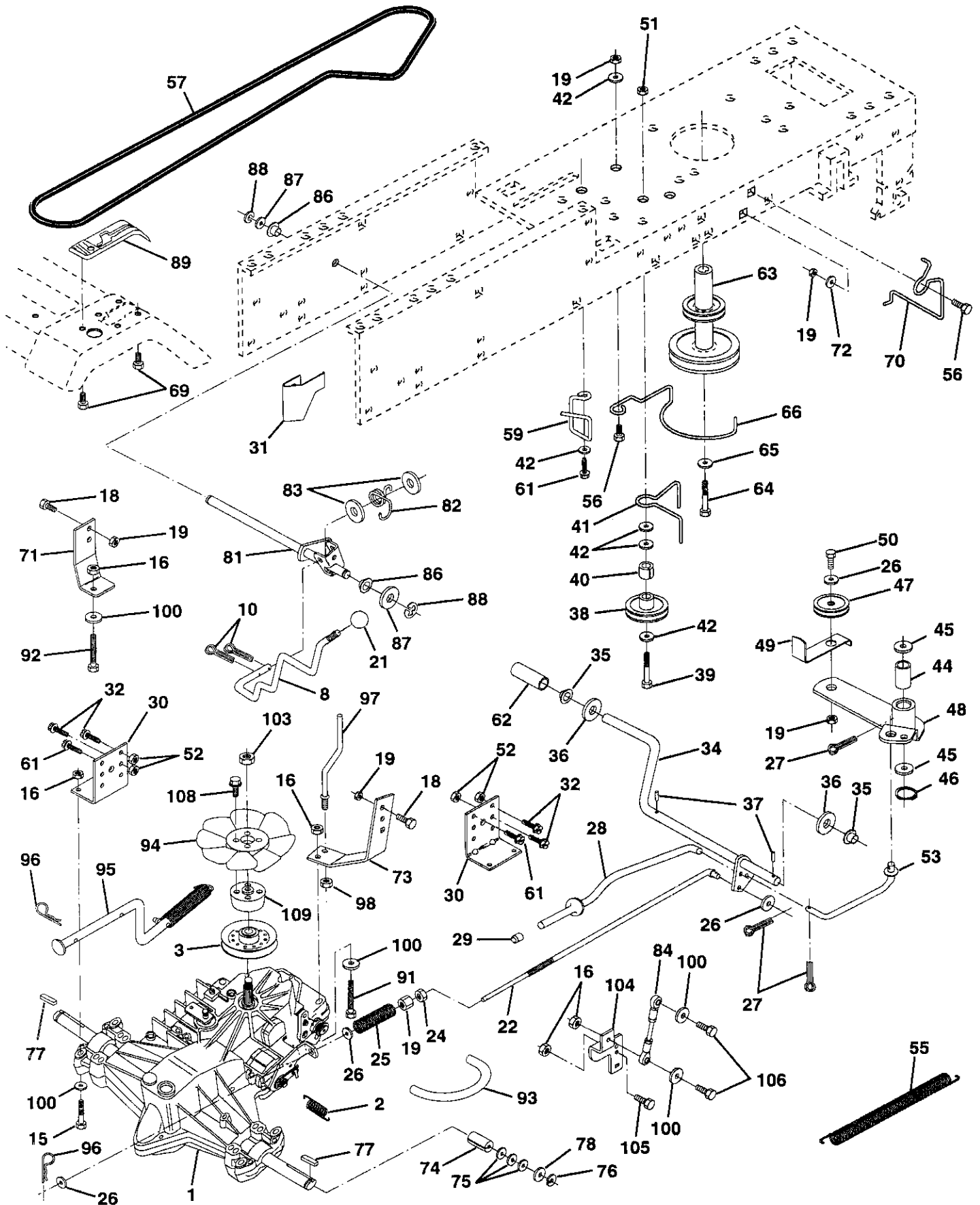
KEY NO.	PART NO.	DESCRIPTION
1	140341	Chassis Assembly
2	140356	Drawbar
3	17490612	Screw, Thd., Roll. 3/8-16 x 3/4
4	19131216	Washer 13/32 x 3/4 x 16 Ga
5	11050600	Washer lock ext. tooth 3/8
6	140169	Saddle
7	126842X	Shield Heat Hood Kohl/Dia. Engine
8	126471X	Clip, Fuel Line
9	140637X013	Dashboard
10	72140608	Carriage Bolt 3/8 - 16 x 1
11	135464	Panel, Dash, LH
12	11030400	Washer Lock 1/4 Int/Ext Tooth
13	124031X012	Panel, Dash, RH
14	17490608	Screw, Thd., Roll. 3/8-16 x 1/2
15	74180512	Screw, Machine, Truss Head 5/16-18 UNC x 3/4
16	STD541431	Nut, Hex, Keps 5/16-18 UNC
17	131445X417	Hood Assembly
18	126938X	Bumper, Hood
19	17521312	Screw Sltd Hex Hd w/PI Washer
21	122933X	Rivet, Ratchet, Nylon
22	124479X	Washer, Nylon
24	STD523710	Bolt, Hex, Fin. 3/8-16 UNC x 1
25	19131312	Washer 13/32 x 13/16 x 12 Gauge
26	STD541437	Nut, Crownlock 3/8-16 UNC
27	17030808	Screw Spiderloc Hex Hd #8 x 1/2
28	140135	Grill
29	124029X	Lens, Headlight Bar
30	140001X417	Fender
31	136619	Bracket, Fender
33	105465X417	Footrest, Perforated, LH
34	105464X417	Footrest, Perforated, RH
35	STD533707	Bolt, Carriage 3/8-16 x 3/4
38	139886	Bracket Assembly, Pivot, Mower, Rear, LH
39	139887	Bracket Assembly, Pivot, Mower, Rear, RH
100	105037X	Strip Foam 18"
--	5479J	Plug, Button

NOTE: All component dimensions given in U.S. inches
1 inch = 25.4 mm

REPAIR PARTS

15 HP 42" TRACTOR - - MODEL NUMBER 917.257592

DRIVE



REPAIR PARTS

15 HP 42" TRACTOR - - MODEL NUMBER 917.257592

DRIVE

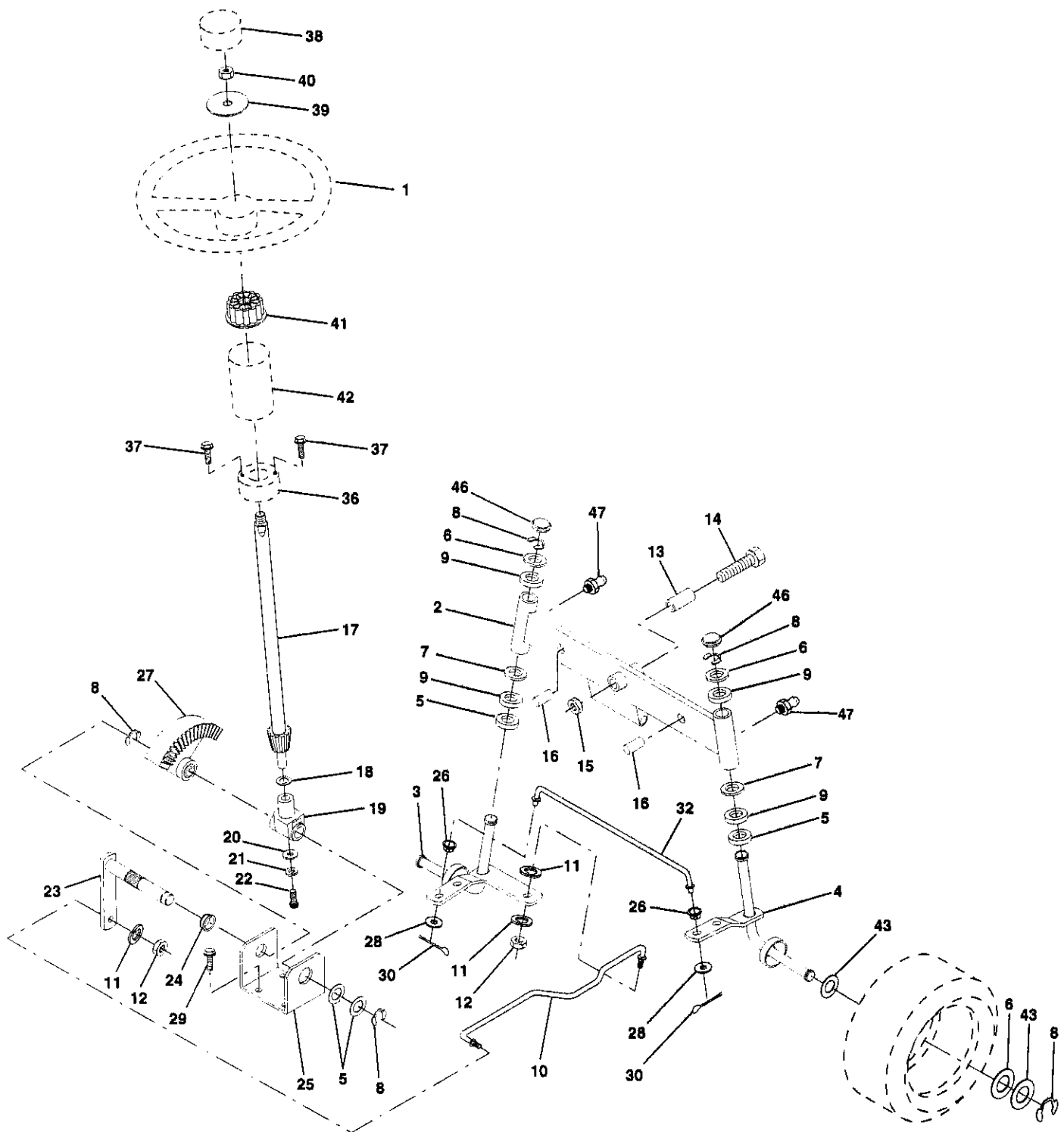
KEY NO.	PART NO.	DESCRIPTION	KEY NO.	PART NO.	DESCRIPTION
1	140607	Transaxle Assembly	59	140312	Keeper, Center Span
2	142431	Spring, Return, Brake	61	17490612	Screw Thdrol. 3/8-16 x 3/4 Ty. TT
3	144698	Pulley, Transaxle	62	8883R	Cover, Pedal
8	141003	Rod Shift Hydro LT	63	140186	Pulley, Engine
10	76020416	Pin Cotter 1/8 x 1 CAD	64	71170764	Bolt, Hex
16	73800500	Nut Lock Hex w/Ins 5/16-18 Unc P	65	10040700	Washer
15	74780544	Bolt Fin Hex 5/16-18 Unc	66	129221	Keeper Belt Engine
18	74780616	Bolt Fin Hex 3/8-16 Unc x 1 Gr. 5	69	142432	Screw
19	73800600	Nut Lock Hex W/Wsh 3/8-16 Unc	70	134683	Keeper Belt Engine
21	106933X	Knob, Rd. 1/2-13	71	141417	Strap Torque Lh Hydro 18 500
22	140217	Rod, Brake Hydro	72	19132012	Washer 13/32 x 1-1/4 x 12 Gauge
24	73350600	Nut	73	141418	Strap Torque Rh Hydro 18 500
25	106888X	Spring, Brake Rod	74	121199X	Spacer, Split
26	19131316	Washer	75	121749X	Washer 25/32 x 1-1/4 x 16 Gauge
27	76020412	Pin Cotter 1/8 x 3/4 CAD.	76	12000001	E-Ring
28	140448	Rod, Parking Brake	77	123583X	Key, Square
29	124236X	Cap, Parking Brake	78	121748X	Washer 25/32 x 1-5/8 x 16 Gauge
30	130807	Bracket, Transaxle	81	141420	Shaft Asm. Cross Hydro 18" Tires
31	127275X	Keeper Belt Lh	82	123782X	Spring Torsion T/A
32	74760512	Bolt Hex Hd 5/16-18 Unc x 3/4	83	19171216	Washer 17/32 x 3/4 x 16 Ga.
34	122424X	Shaft, Foot Pedal	84	141423	Rod, Tie Hydro 18" Tires
35	120183X	Bearing, Nylon	86	71208	Bushing Rod Strig. 629/632 ID
36	19211616	Washer	87	19212016	Washer 21/32 x 1-1/4 x 16 Ga.
37	1572H	Pin, Roll	88	12000008	Ring Klip #5304-62
38	123674X	Pulley, Idler, Flat	89	139988	Console, Shift
39	74760644	Bolt	91	74780536	Bolt Fin Hex 5/16-18 x 2-1/4
40	4470J	Spacer, Split	92	74780524	Bolt Fin Hex 5/6-18 Unc x 1-1/2
41	109070X	Keeper, Belt Retainer	93	142564	Line Fuel Hydro 4"
42	19131312	Washer 13/32 x 13/16 x 12 Gauge	94	140462	Fan, Hydro 7"
44	105706X	Bearing, Nylon	95	144643	Control Asm. Bypass
45	110812X	Washer, Hardened	96	4497H	Retainer Spring 1" Zinc/Cad
46	12000039	Ring, Klip	97	144201	Keeper Bolt Rh Hydro 18 500
47	127783	Pulley, Idler, V-Groove	98	73510600	Nut Keps Hex 3/8-16 Unc
48	123789X	Bellcrank Assembly	100	19111216	Washer 11/32 x 3/4 x 16 Ga.
49	123205X	Retainer, Belt	103	50831	Nut Nylon Insert 1/2-20 Unf.
50	74760624	Bolt	104	141421	Arm, Control Hydro Pump 500
51	73680600	Nut, Crownlock 3/8-16 Unc	105	71070516	Screw Cap Hex 5/16 x 18 x 1
52	73680500	Nut, Crownlock 5/16-18 Unc	106	74780520	Bolt Fin Hex 5/16-18 Unc x 1-1/4
53	105710X	Link, Clutch	108	17541026	Screw Hex Hd #10-24 x 1-5/8
55	105709X	Spring, Return, Clutch	109	145098	Adaptor, Fan/Pulley
56	74760620	Bolt			
57	141416	V-Belt, Ground Drive			

NOTE: All component dimensions give in U.S. inches.
1 inch = 25.4 mm.

REPAIR PARTS

15 HP 42" TRACTOR - - MODEL NUMBER 917.257592

STEERING ASSEMBLY



REPAIR PARTS

15 HP 42" TRACTOR - - MODEL NUMBER 917.257592

STEERING ASSEMBLY

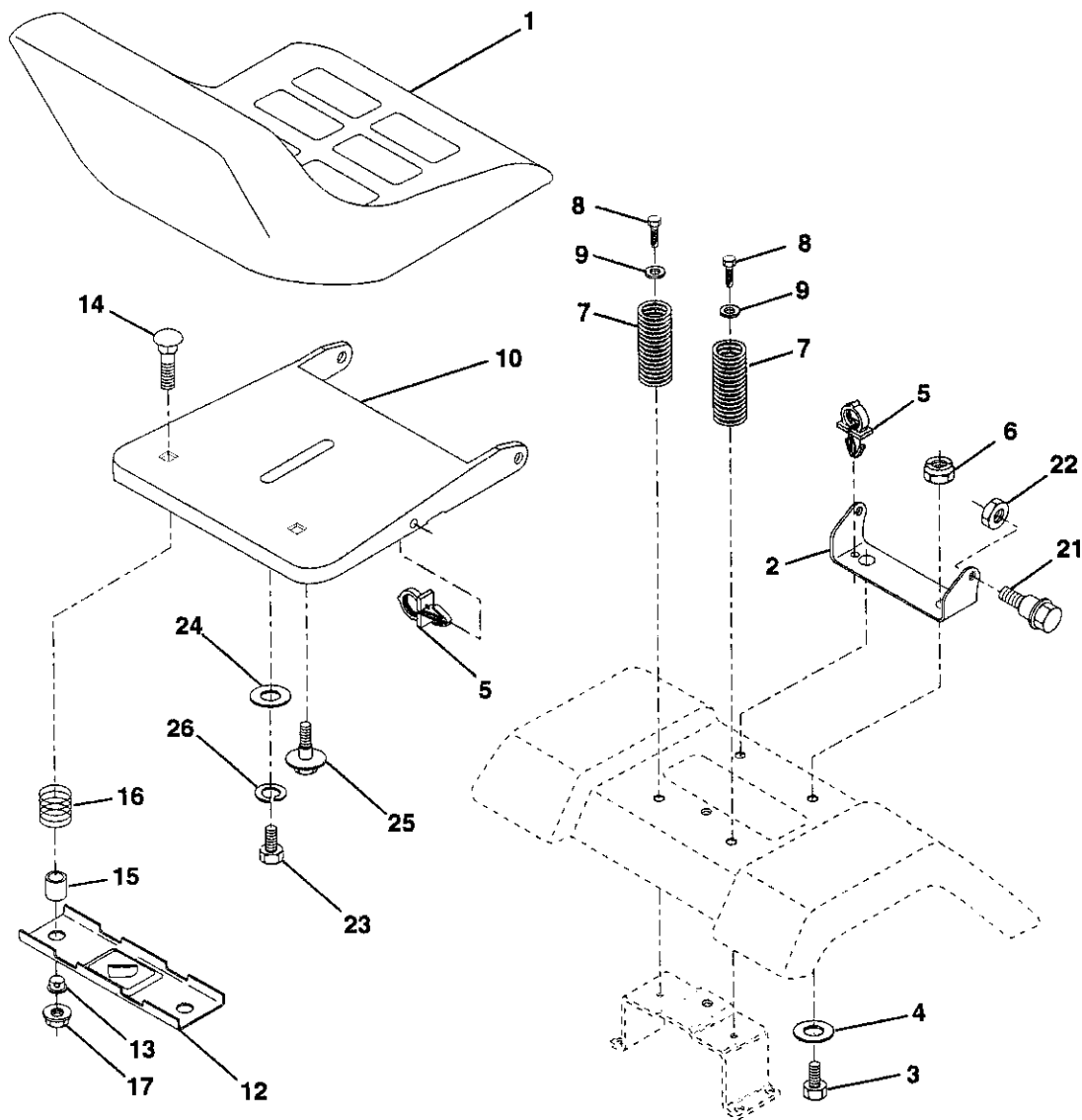
KEY NO.	PART NO.	DESCRIPTION
1	139768	Steering Wheel
2	142033	Axle Assembly, Front
3	135227	Spindle Assembly, LH
4	135228	Spindle Assembly, RH
5	6266H	Bearing, Thrust
6	121748X	Washer 25/32 x 1-5/8 x 16 Gauge
7	19272016	Washer 27/32 x 1-1/4 x 16 Gauge
8	12000029	Ring, Klip
9	3366R	Bearing, Steering Column
10	130468	Link, Drag
11	STD551137	Washer, Lock, Hvy Hlcl Spring 3/8
12	73610600	Nut, Hex, Fin. 3/8-24 UNF
13	110438X	Spacer, Bearing, Front Axle
14	74011056	Bolt, Hex Head 5/8-11 UNC x 3-1/2
15	73901000	Nut, Lock Flange 5/8-11 UNC
16	132624	Pin, Axle 5/8 x 1.55/1.54
17	132614	Shaft Assembly, Steering
18	57079	Washer, Thrust .515 x .750 x .033
19	124035X	Support, Shaft
20	126684X	Washer, Shim 1/4 x 5/8 x .062
21	STD551125	Washer, Lock, Heavy Helical Spring 1/4
22	71070410	Screw, Hex Socket Head 1/4-20 x 5/8
23	127501	Shaft Assembly, Pittman
24	109816X	Nyliner, Snap-In
25	124036X	Bracket, Steering
26	126847X	Bushing, Tie Rod
27	136874	Gear, Sector
28	19131416	Washer 13/32 x 7/8 x 16 Gauge
29	17490612	Screw, Thd. Roll. 3/8-16 x 3/4
30	STD561210	Pin, Cotter 1/8 x 3/4
32	130465	Rod, Tie
36	132196	Bushing, Steering
37	STD611005	Screw, Self-Tapping #10-16 x 1/2
38	139769	Insert, Steering Wheel
39	19133808	Washer 13/32 x 2-3/8 x 8 Gauge
40	STD541537	Nut, Centerlock 3/8-24 UNF
41	104820X	Adaptor, Steering Wheel
42	124417X	Boot, Steering Shaft
43	121749X	Washer 25/32 x 1-1/4 x 16 Gauge
46	121232X	Cap, Spindle
47	6855M	Fitting Grease

NOTE: All component dimensions given in U.S. inches
1 inch = 25.4 mm

REPAIR PARTS

15 HP 42" TRACTOR - - MODEL NUMBER 917.257592

SEAT ASSEMBLY



KEY NO.	PART NO.	DESCRIPTION
1	127437	Seat
2	140551	Bracket, Pivot, Seat
3	STD523710	Bolt, Hex, Fin. 3/8-16 UNC x 1
4	19131610	Washer 13/32 x 1 x 10 Gauge
5	145006	Clip, Push In Hinged
6	STD541437	Nut, Lock Hex W/Wsh 3/8-16 UNC
7	124181X	Spring, Seat
8	17490616	Screw, Thd. Roll. 3/8-16 x 1
9	19131614	Washer 13/32 x 1 x 14 Gauge
10	140552	Pan, Seat
12	121246X	Bracket, Switch Mounting
13	121248X	Bushing, Snap

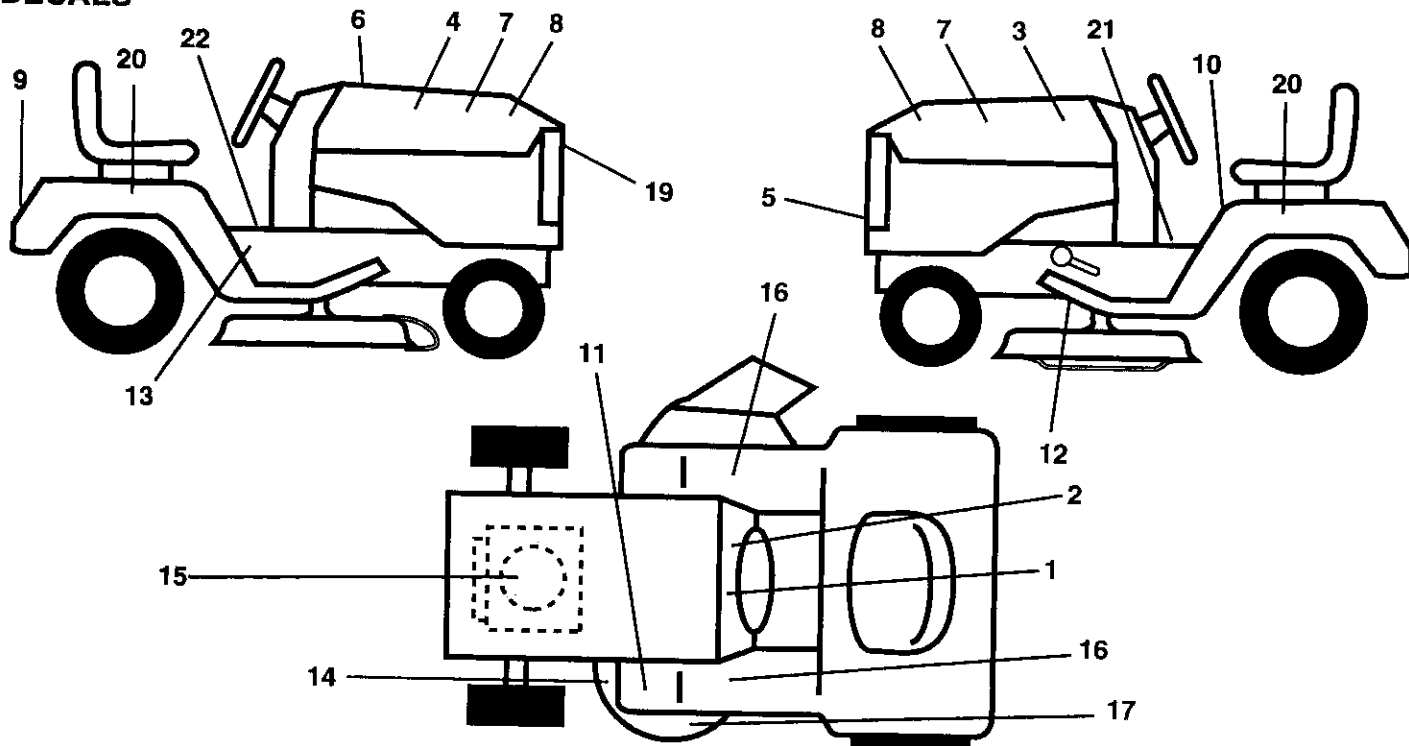
KEY NO.	PART NO.	DESCRIPTION
14	72050411	Bolt, Carriage 1/4-20 x 1-3/8
15	134300	Spacer, Split
16	121250X	Spring
17	123976X	Locknut 1/4 Grade 5
21	139888	Bolt, Shoulder 5/16-18 UNC
22	STD541431	Nut, Crownlock 5/16-18
23	74780814	Bolt, Hex, Fin. 1/2-13 x 7/8 Grade 5
24	19171912	Washer 17/32 x 1-3/16 x 12 Gauge
25	127018X	Bolt, Shoulder 5/16-18 x .62
26	STD551150	Washer, Lock, Hvy Hcl Spring 1/2

NOTE: All component dimensions given in U.S. inches
1 inch = 25.4 mm

REPAIR PARTS

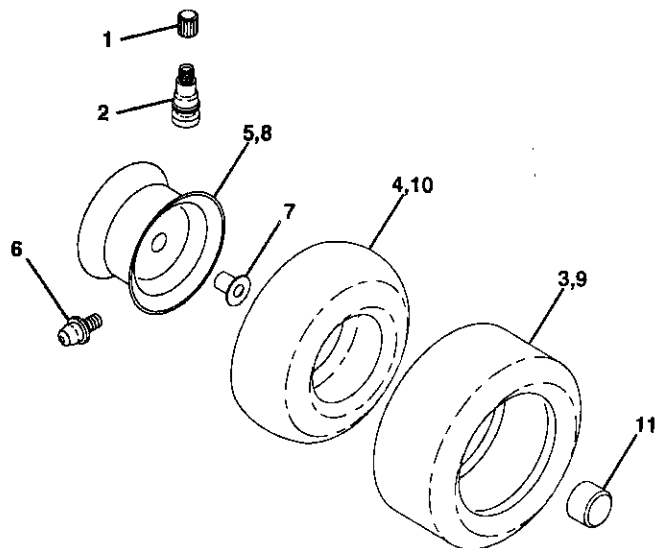
15 HP 42" TRACTOR -- MODEL NUMBER 917.257592

DECALS



KEY NO.	PART NO.	DESCRIPTION	KEY NO.	PART NO.	DESCRIPTION
1	138955	Decal, Operating Instruction	13	138145	Decal, Chassis Hydro 42"
2	138836	Decal, Dash Lawn Tractor LT	14	136832	Decal, Mower Drive Schematic
3	140561	Decal, Craftsman, Hood, LH	15	142239	Decal, Eng 15 HP B&S IC
4	140560	Decal, Craftsman, Hood, RH	16	105466X	Pad, Footrest Rbr. Sq. Craftsman
5	132674	Decal, LT4000, Craftsman, Grill	17	133179	Decal, Mower QC System
6	133644	Decal, Maintenance	19	131265	Decal, Lightbox
7	142248	Decal, 15 HP Side Panel	20	142271	Decal, Fender Hydro Black
8	142247	Decal, Insert Hood	21	142336	Decal, Sdl Cold Start Hydro Eng.
9	125880X	Decal, Craftsman, Fender	22	140837	Decal, Brake Parking Saddle
10	137537	Decal, Caution	--	138311	Decal, Lift Handle
11	4900J	Decal, Clutch/Brake	--	142341	Decal, Drawbar Control
12	109199X	Decal, V-Belt Drive Schematic	--	145444	Manual, Owner's (English)
			--	145445	Manual, Owner's (Spanish)

WHEELS & TIRES



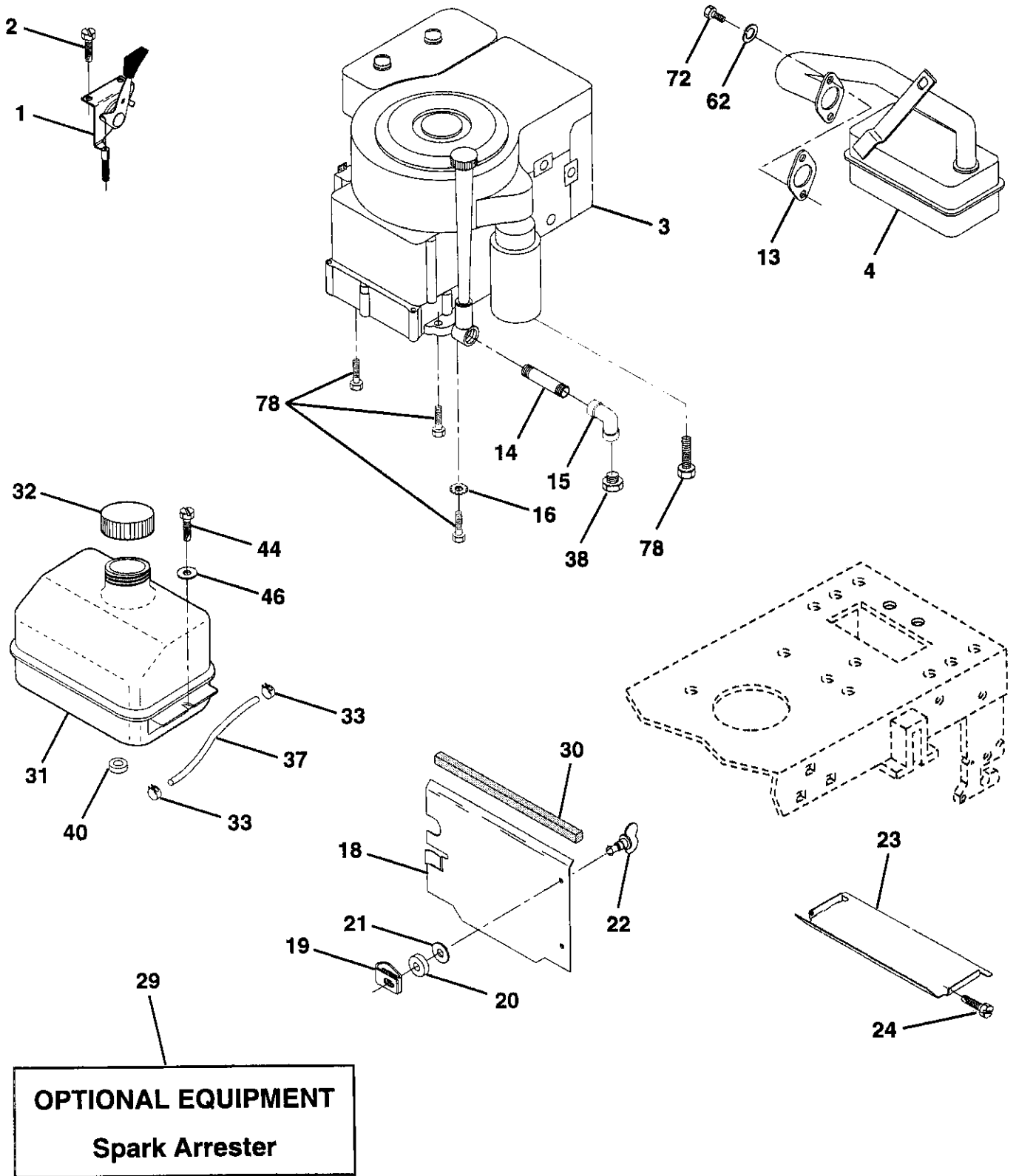
KEY NO.	PART NO.	DESCRIPTION
1	59192	Cap, Valve
2	65139	Stem, Valve
3	106222X	Tire, Front
4	59904	Tube, Tire, Front (Optional, Service Item Only)
5	106732X417	Rim Assembly, Front
6	278H	Fitting, Grease
7	9040H	Bearing, Flange
8	106108X417	Rim Assembly, Rear
9	124635X	Tire, Rear
10	7152J	Tube, Tire, Rear (Optional, Service Item Only)
11	104757X	Cover, Axle

NOTE: All component dimensions given in U.S. inches
1 inch = 25.4 mm

REPAIR PARTS

15 HP 42" TRACTOR - - MODEL NUMBER 917.257592

ENGINE



REPAIR PARTS

15 HP 42" TRACTOR - - MODEL NUMBER 917.257592

ENGINE

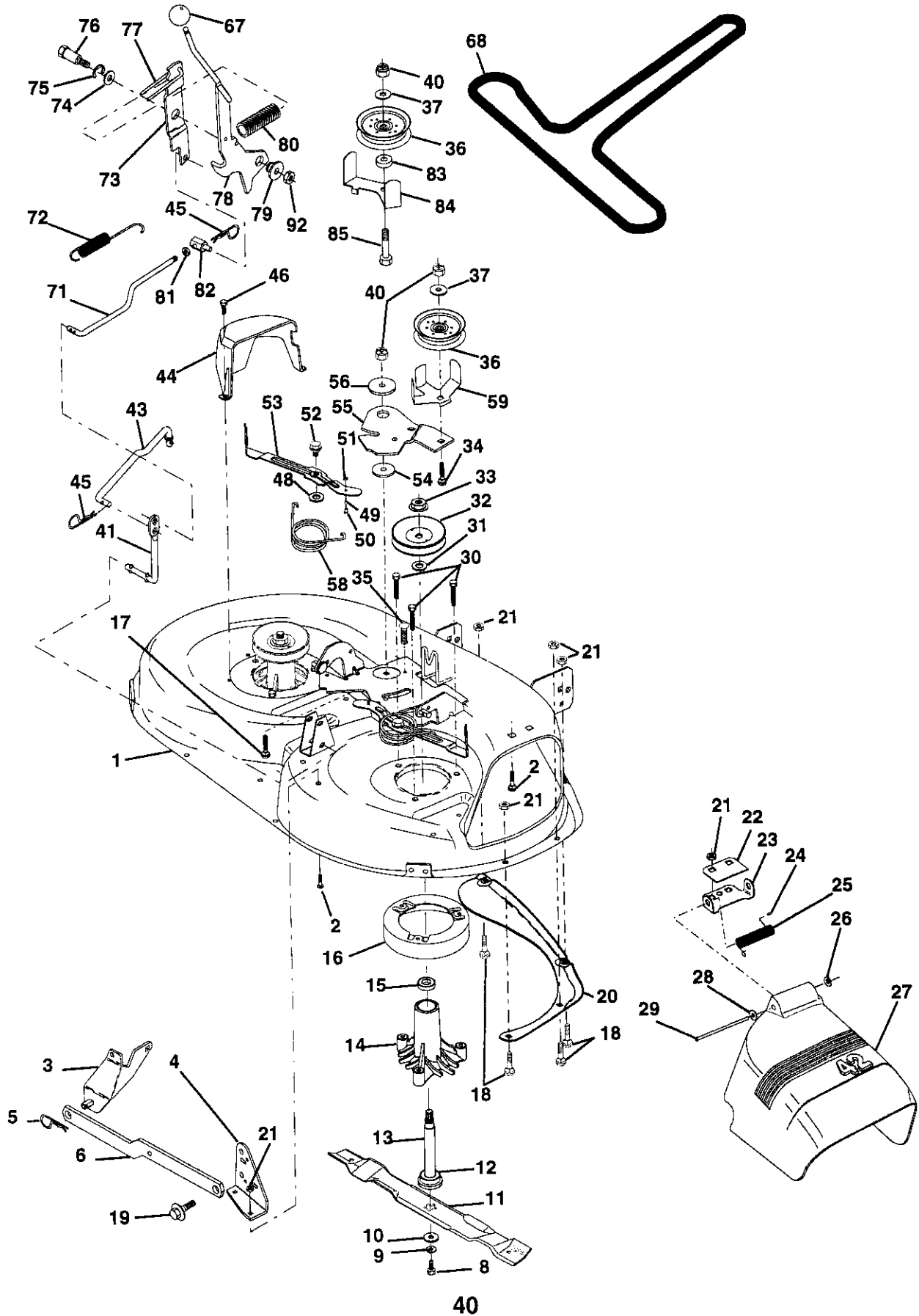
KEY NO.	PART NO.	DESCRIPTION
1	132759	Control, Throttle/Ch RH Blk
2	17720410	Screw, Hex Head, Thread Cutting 1/4-20 x 5/8
3	141129	Engine B&S 15 Hp Model No. 28N707, Type No. 0121-01
4	137352	Muffler, Exhaust
13	125593X	Gasket
14	13280324	Nipple, Pipe 3/8 NPT x 3
15	13200300	Elbow, Standard 90° 3/8-18 NPT
16	STD551237	Washer, Lock, External Tooth 3/8
18	136718	Shield, Heat
19	105839X	Receptacle, 1/4 Turn
20	105838X	Retainer, 1/4 Turn
21	STD551025	Washer 9/32 x 5/8 x 16 Gauge
22	123650X	Stud, 1/4 Turn
23	128953	Shield, Heat
24	STD601005	Screw, Hex Head, Self-Tapping #10-24 UNC x 1/2
29	137180	Arrestor, Spark
30	127057X	Pinch Weld Hood Black 2 00
31	109202X	Tank, Fuel
32	123549X	Cap Assembly, Fuel Tank, Vented
33	123487X	Clamp, Hose
37	137040	Line, Fuel
38	---	Plug, Oil Drain (Order From Engine Manufacturer)
40	124028X	Bushing, Snap, Nylon, Fuel Line
44	17490412	Screw, Hex Washer Head, Thd., Roll. 1/4-20 x 3/4
46	19091416	Washer 9/32 x 7/8 x 16 Gauge
62	STD551131	Washer, Lock, Hvy Hlcl Spring 5/16
72	71070512	Screw, Hex Cap Head 5/16-18 x 3/4
78	17490620	Screw, Thd., Roll. 3/8-16 x 1-1/4

NOTE: All component dimensions given in U.S. inches
1 inch = 25.4 mm

REPAIR PARTS

15 HP 42" TRACTOR -- MODEL NUMBER 917.257592

42" MOWER



REPAIR PARTS

15 HP 42" TRACTOR - - MODEL NUMBER 917.257592

42" MOWER

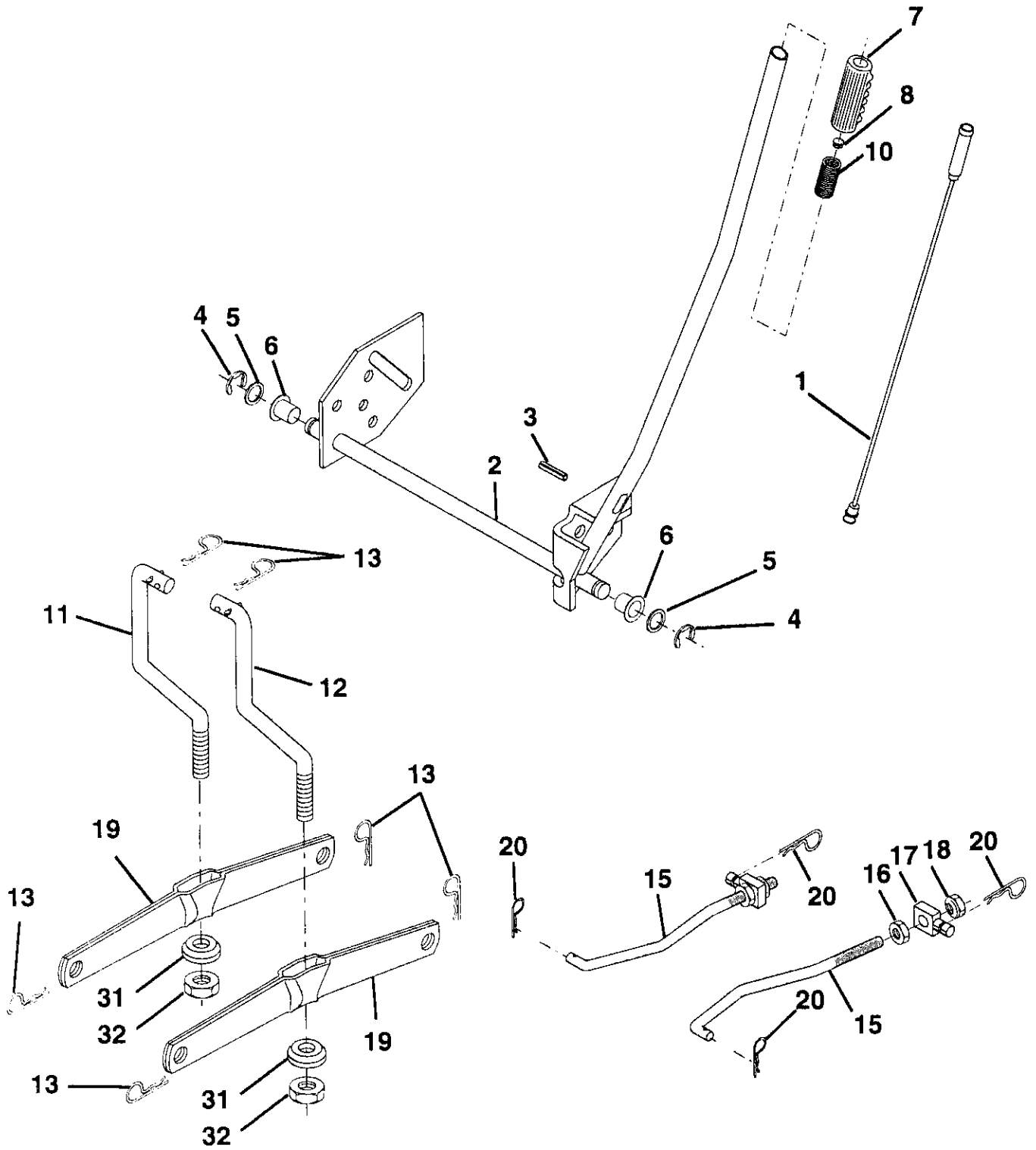
KEY NO.	PART NO.	DESCRIPTION	KEY NO.	PART NO.	DESCRIPTION
1	144393	Mower Housing	43	140083	Rod, Clutch, Secondary, with Nibs
2	STD533107	Bolt	44	140088	Guard, Mandrel, L.H.
3	138017	Bracket Assembly, Sway Bar, Front	45	STD624003	Retainer
4	138440	Bracket Assembly, Sway Bar	46	137729	Screw, Thd. Roll 1/4-20 x 5/8
5	STD624008	Retainer Spring	48	133944	Washer, Hardened
6	130832	Arm, Suspension, Rear	49	133940	Roller Assembly, Cam Follower
8	850857	Bolt, Hex 3/8-24 x 1.25 Grade 8	50	131340	Bolt, Shoulder #10-24 Grade 5
9	STD551137	Washer, Lock	51	STD541410	Locknut
10	140296	Washer, Hardened	52	139888	Bolt, Shoulder 5/16-18 UNC
11	134149	Blade, Mulching	53	131845	Arm Assembly, Pad, Brake
12	129895	Bearing, Ball	54	133943	Washer, Hardened
13	137645	Shaft Assembly, Mandrel, Vented (Includes Key Number 6)	55	140084	Arm, Idler
14	128774	Housing, Mandrel, Vented	56	122052X	Spacer, Retainer
15	110485X	Bearing, Ball, Mandrel	58	140086	Spring, Torsion Brakes 42"
16	140329	Stripper, Vented Mower Deck	59	141043	Guard, Tuv Idler (94)
17	72110610	Bolt, Carriage 3/8-16 x 2-1/4	67	106932X	Knob, Round 3/8-16 UNC
18	72140505	Bolt, Carriage 5/16-18 x 5/8	68	144200	V-Belt
19	132827	Bolt, Shoulder	71	142427	Rod, Clutch, Primary, with Nibs
20	136888	Baffle, Vortex	72	131870	Spring, Return
21	STD541431	Nut, Crownlock 5/16-18 UNC	73	127847	Arm, Clutch, Secondary
22	134753	Stiffener Bracket	74	121748X	Washer 25/32 x 1-5/8 x 16 Gauge
23	131267	Bracket, Deflector	75	12000029	Ring, Klip
24	105304X	Cap, Sleeve	76	128903	Bolt, Shoulder 3/8-16 UNC x 1.44
25	123713X	Spring, Torsion, Deflector	77	127845	Keeper, Spring
26	110452X	Nut, Push	78	140334	Arm, Clutch, Primary
27	130968	Shield, Deflector	79	127498	Bushing, Large, Brass
28	19111016	Washer 11/32 x 5/8 x 16 Gauge	80	128759	Spring, Mower Clutch
29	131491	Rod, Hinge	81	73350600	Nut, Hex Jam 3/8-16 UNC
30	138776	Screw Thdrol Hex Head Zinc Mwr	82	142028	Trunnion Adj. 94
31	129963	Washer, Spacer	83	120958X	Washer
32	129861	Pulley, Mandrel	84	144394	Keeper, Belt Idler Fixed
33	137266	Nut, Toplock, Flanged	85	72140620	Bolt, Carriage 3/8-16 x 2-1/2 Gr. 5
34	STD533717	Bolt	92	STD541437	Nut
35	133835	Fastner, Christmas Tree	--	130794	Mandrel Assembly (Includes Key Numbers 8-10, 12-15, 31 and 32)
36	131494	Pulley, Idler, Flat	--	145411	Mower Deck, Complete
37	19131316	Washer 13/32 x 13/16 x 16 Ga.			
40	STD541437	Nut, Crownlock 3/8-16 UNC			
41	133551	Rod, Pivot, with Nibs			

NOTE: All component dimensions given in U.S. inches.
1 inch = 25.4 mm.

REPAIR PARTS

15 HP 42" TRACTOR - - MODEL NUMBER 917.257592

MOWER LIFT



REPAIR PARTS

15 HP 42" TRACTOR - - MODEL NUMBER 917.257592

MOWER LIFT

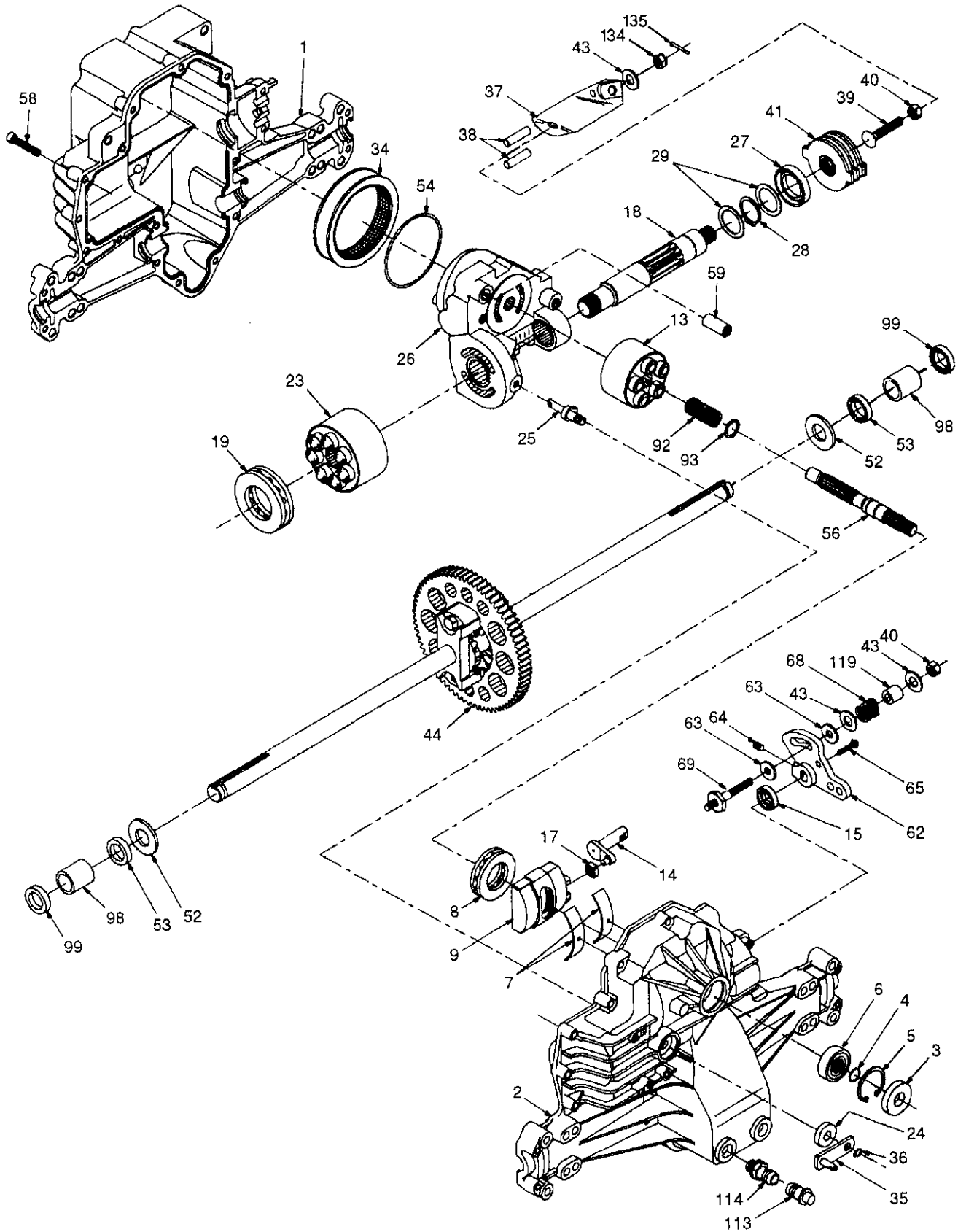
KEY NO.	PART NO.	DESCRIPTION
1	136973	Rod, Asm. Lever
2	122507X	Shaft Asm Lift
3	105767X	Pin Groove
4	12000002	E Ring #5133-62
5	19211621	Washer Pltd 21/32 x 1 x 21 Ga.
6	120183X	Bearing Nylon
7	125631X	Grip Handle Fluted
8	122365X	Button Plunger Red
10	122512X	Spring Cprsn
11	139865	Link Lift Lh
12	139866	Link Lift Rh
13	4939M	Retainer Spring
15	127218	Link Front
16	73350800	Nut Jam Hex 1/2 - 13 Unc
17	130171	Trunnion Blk Zinc
18	73800800	Nut Lock w/wsh 1/2 - 13 Unc
19	139868	Arm Suspension Rear
20	3146R	Spring Retainer
31	140302	Bearing Pvt. Lift Spherical
32	73810600	Nylock Nut 3/8-24

NOTE: All component dimensions given in U.S. inches
1 inch = 25.4 mm

REPAIR PARTS

15 HP 42" TRACTOR - - MODEL NUMBER 917.257592

HYDRO GEAR TRANSAXLE - MODEL NUMBER 310-0500



REPAIR PARTS

15 HP 42" TRACTOR - - MODEL NUMBER 917.257592

HYDRO GEAR TRANSAXLE - MODEL NUMBER 310-0500

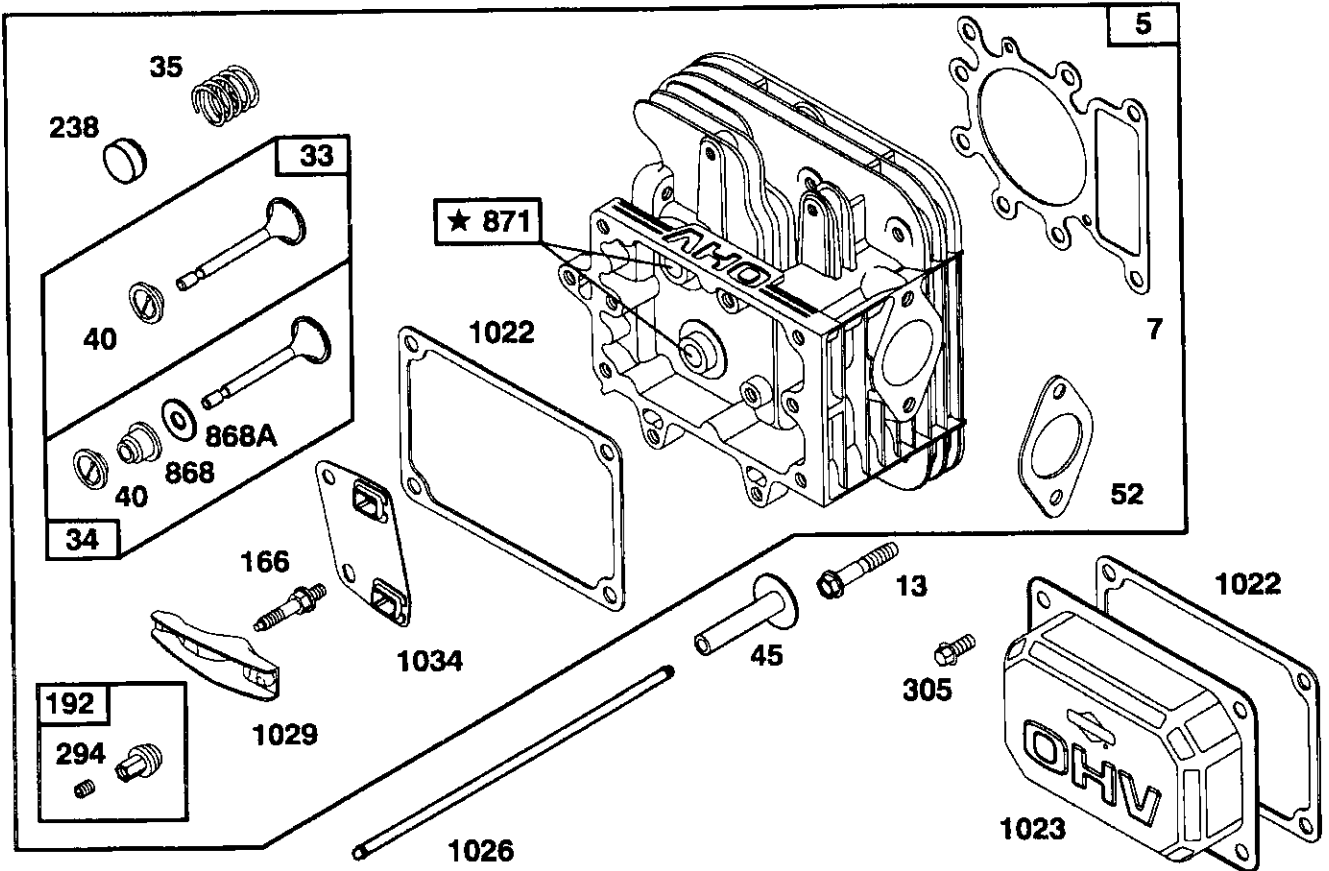
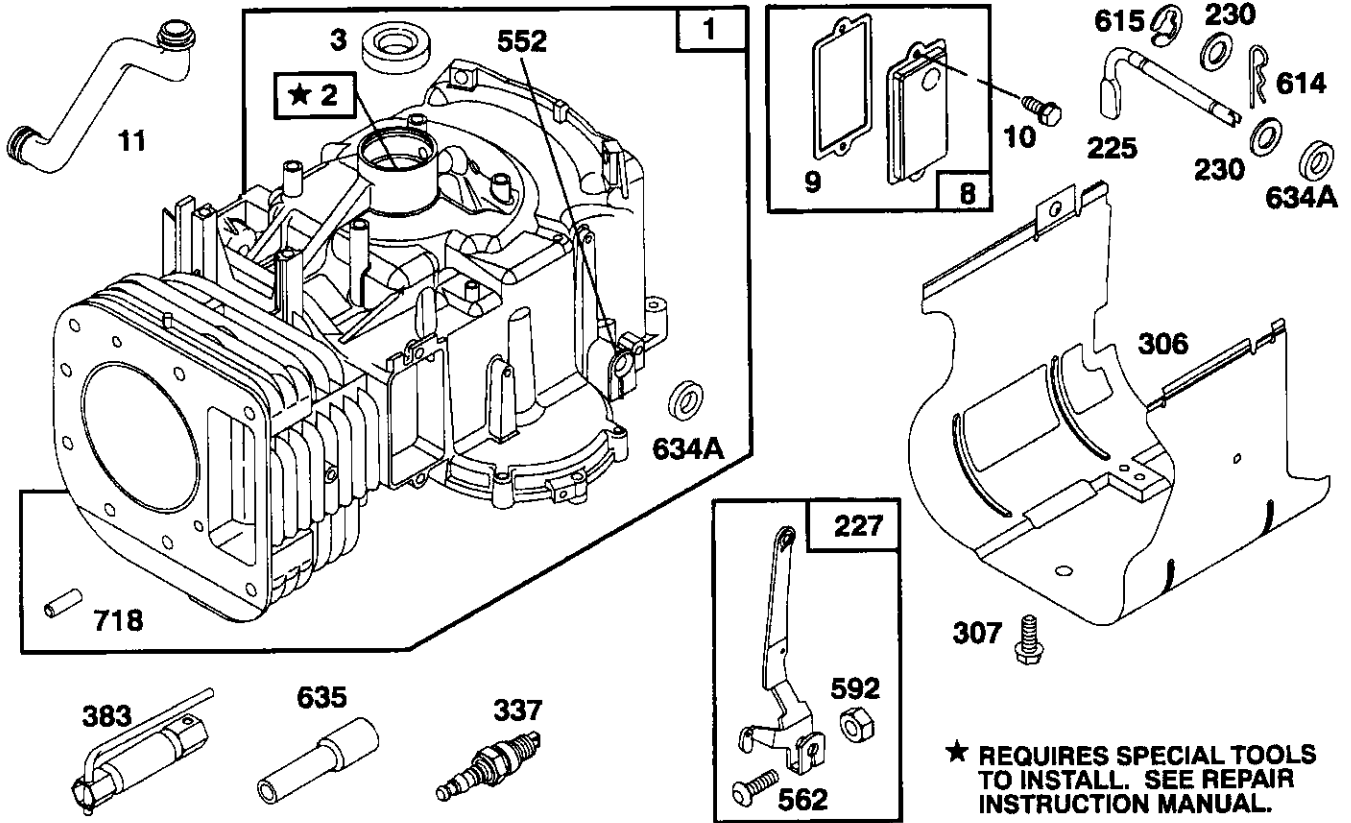
KEY PART NO. NO.	DESCRIPTION	KEY PART NO. NO.	DESCRIPTION
1 142986	Housing, Lower	40 142957	Locknut, Hex 5/16-24 UNJC
2 142987	Assembly, Upper Housing	41 142958	Brake Rotor/Stator Kit
3 142932	Seal, Lip	43 142884	Washer 7/16 x 7/8 x .060
4 142928	Ring, Wire Retaining	44 142990	Differential Assembly
5 142933	Ring, Retaining	52 142991	Washer 3/4 x 1.5 x .13
6 142934	Bearing, Shaft Ball	53 142961	Seal .75 x 1.25 x .250
7 142935	Bearing, Cradle	54 142962	O-Ring .103 x 2.987 ID
8 142936	Bearing, Thrust 30 x 52 x 13	56 142963	Shaft, Input
9 142937	Swashplate, Variable	58 142964	Bolt 1/4-20 x 1.38
13 142938	Block, Cylinder Assembly	59 142965	Pin .5 OD x .43 ID x .750
14 142939	Arm, Trunnion	62 142966	Arm, Control
15 142940	Seal, Lip	63 142967	Puck, Dampener
17 142941	Guide, Slot	64 142920	Set Screw
18 142988	Shaft, Motor	65 142968	Bolt #8-32 x .875
19 142943	Bearing, Thrust 42 x 68 x 16	68 142969	Spring
23 142944	Block, Cylinder Assembly	69 144610	Stud 5/16-24
24 142945	Seal, Lip 10 x 25 x 7	92 142977	Spring, Block
25 142946	Actuator, Bypass	93 142978	Washer, Block Thrust
26 142947	Center Section Assembly Kit	98 142993	Sleeve Bearing
27 142948	Seal, Lip 26 x 42 x 8	99 142976	Seal, Wiper
28 142949	Ring, Retaining	113 142917	Cap, Vent Assembly
29 142950	Washer 26 x 35 x 1	114 142918	Fitting, O-Ring Assembly
34 142951	Oil Filter Element	119 142980	Spacer
35 142952	Arm, Bypass	134 144607	Nut, Castle 5/16-24
36 142953	Ring, Retaining	135 144608	Pin, Cotter
37 142954	Arm, Actuating		
38 142955	Pin, Actuating		
39 142956	Bolt 5/16-24 x 1-3/4		

NOTE: All component dimensions given in U.S. inches

REPAIR PARTS

15 HP 42" TRACTOR - - MODEL NUMBER 917.257592

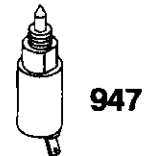
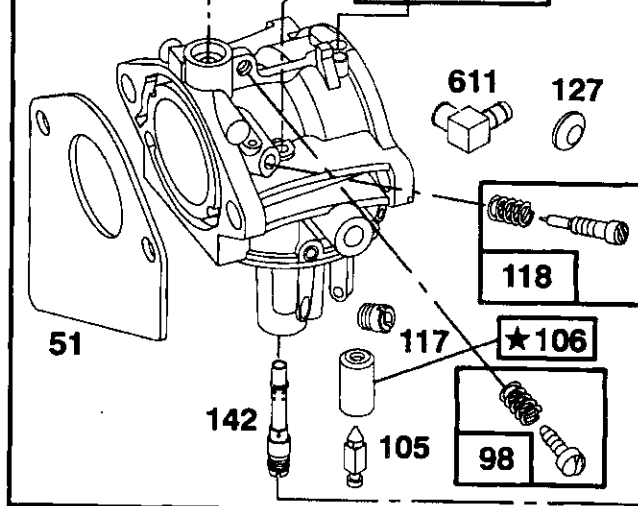
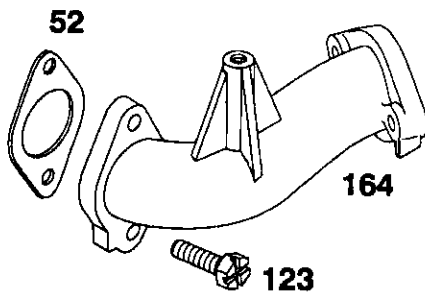
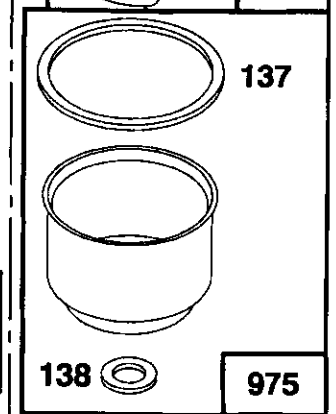
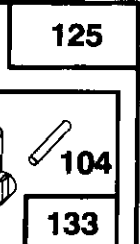
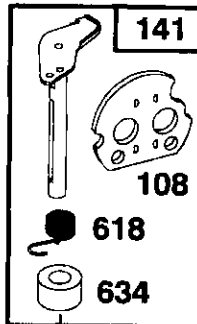
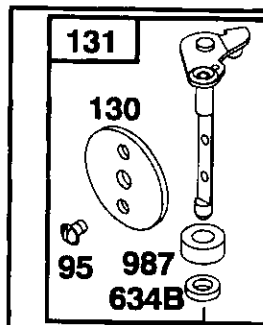
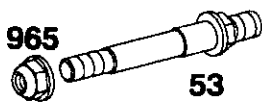
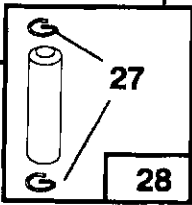
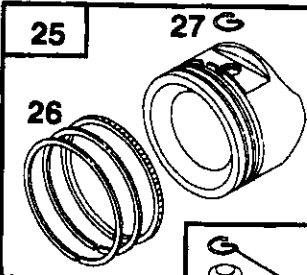
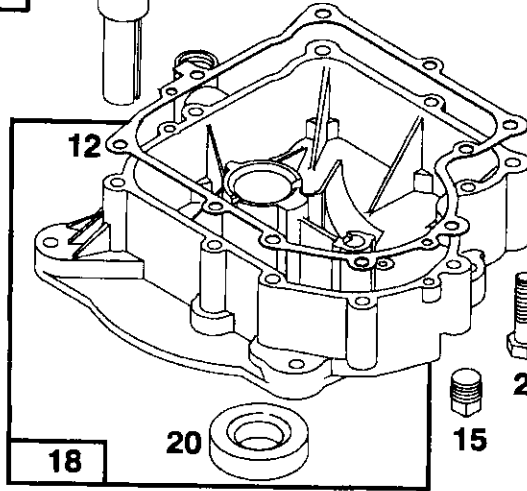
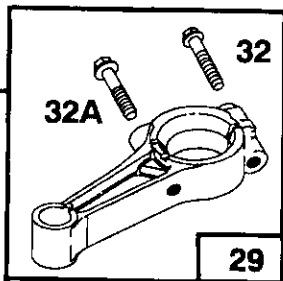
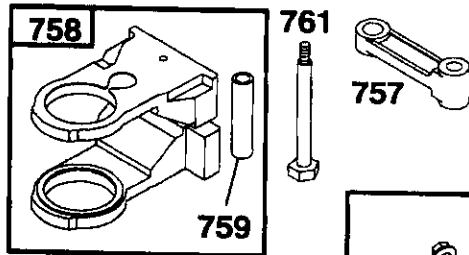
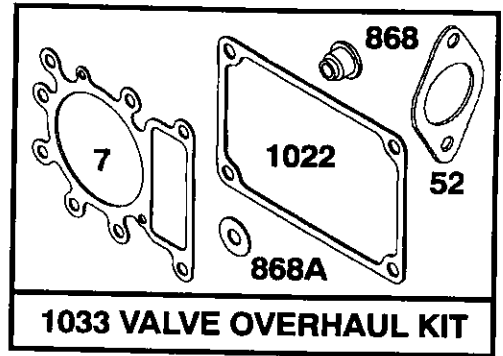
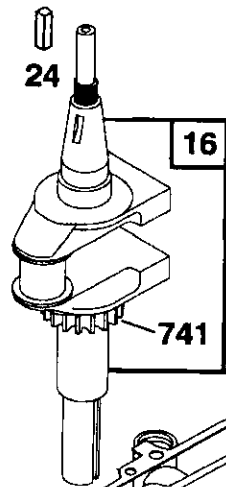
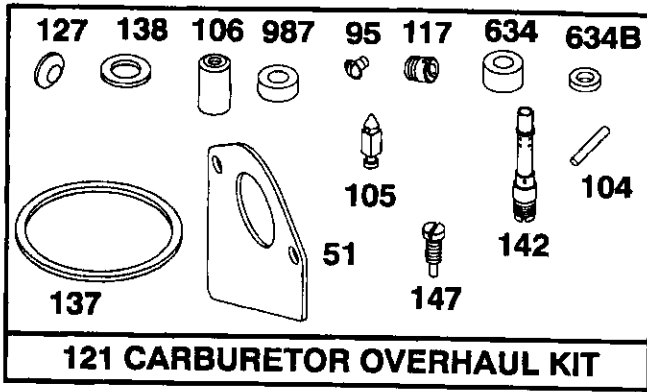
BRIGGS & STRATTON ENGINE - MODEL NO. 28N707, TYPE NO. 0121-01



REPAIR PARTS

15 HP 42" TRACTOR - - MODEL NUMBER 917.257592

BRIGGS & STRATTON ENGINE - MODEL NO. 28N707, TYPE NO. 0121-01

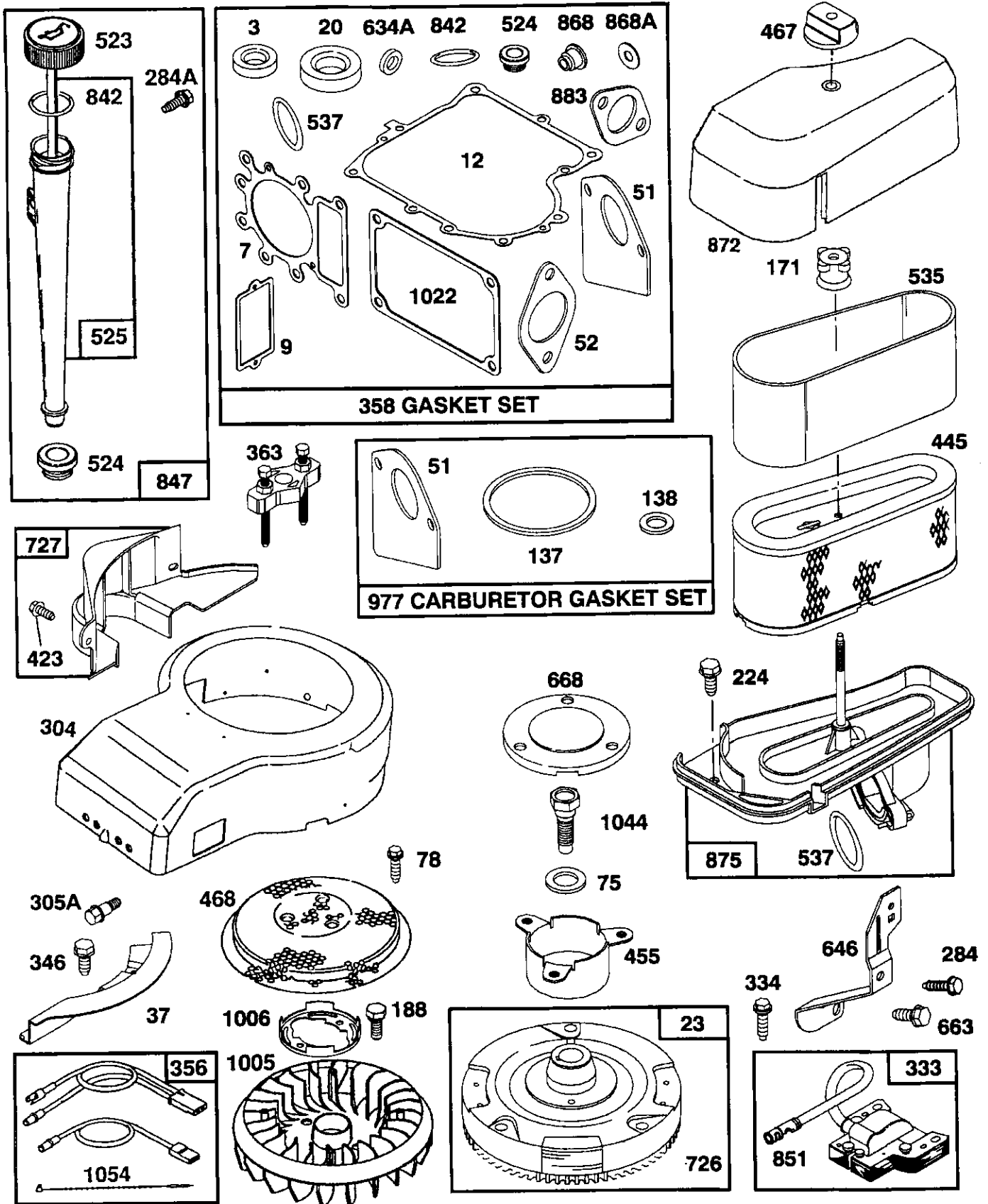


★ REQUIRES SPECIAL TOOLS TO INSTALL. SEE REPAIR INSTRUCTION MANUAL.

REPAIR PARTS

15 HP 42" TRACTOR - - MODEL NUMBER 917.257592

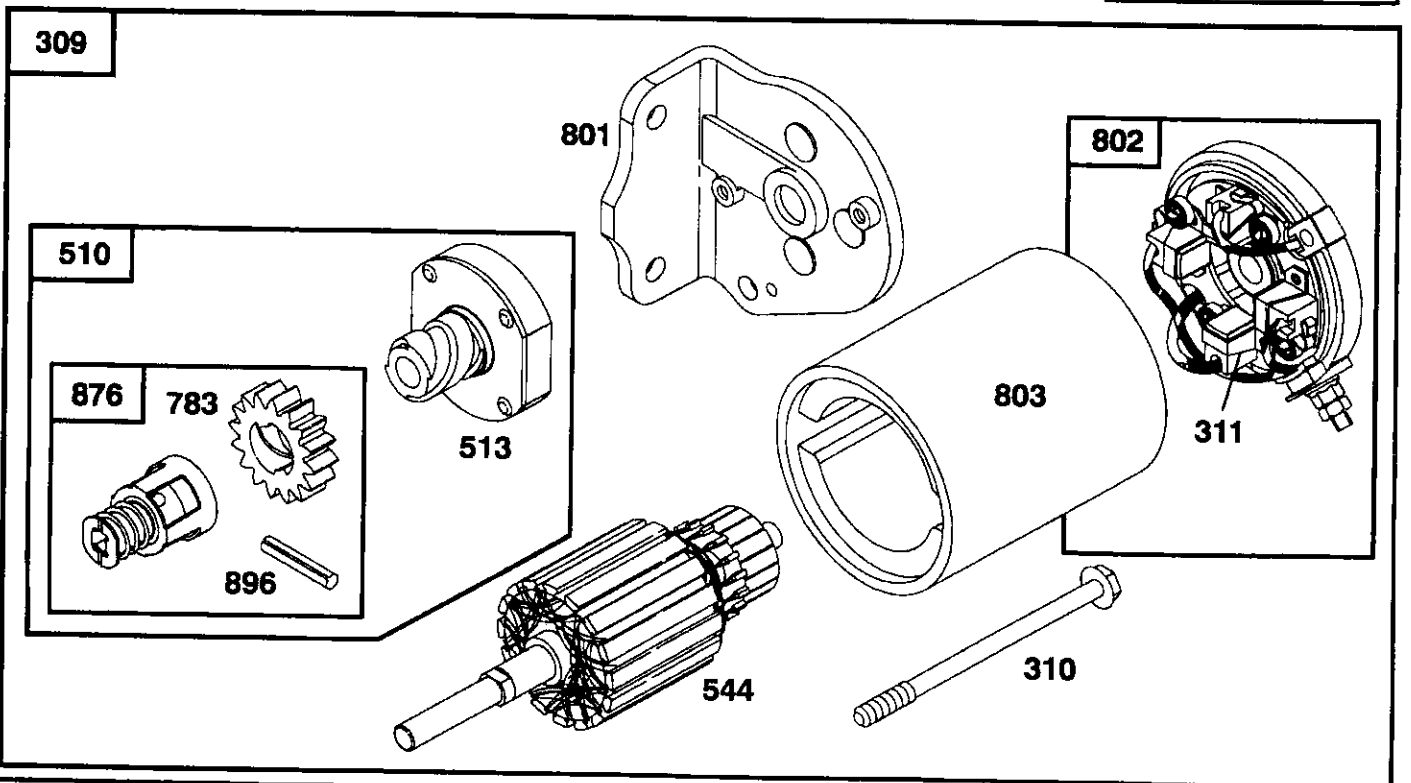
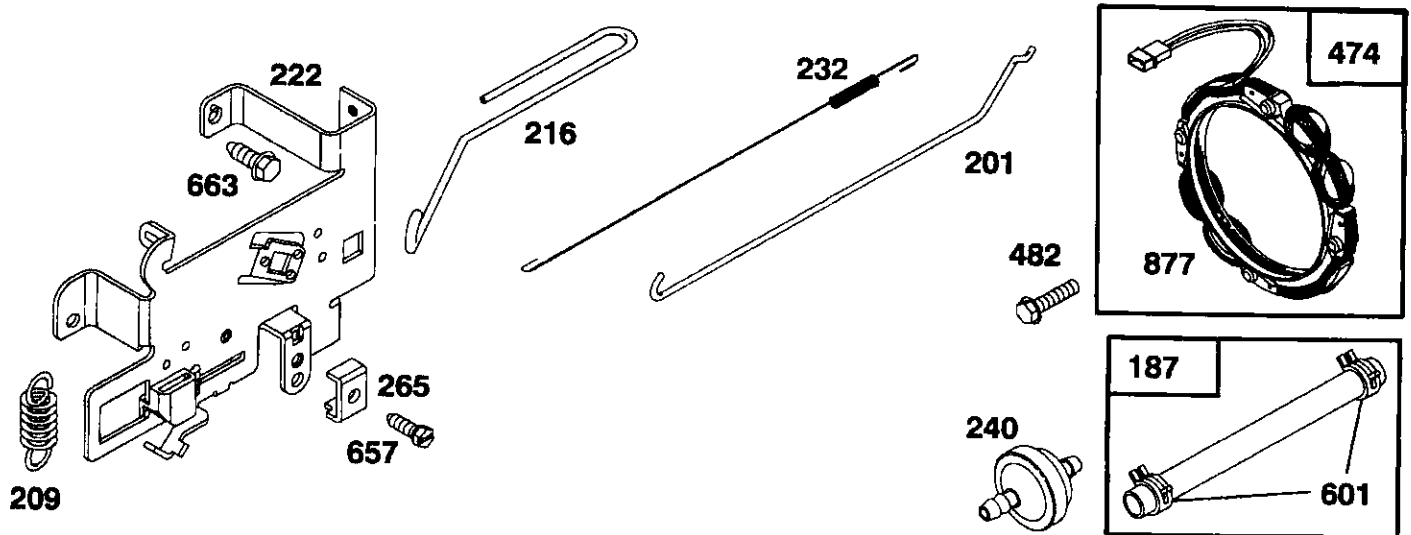
BRIGGS & STRATTON ENGINE - MODEL NO. 28N707, TYPE NO. 0121-01



REPAIR PARTS

15 HP 42" TRACTOR - - MODEL NUMBER 917.257592

BRIGGS & STRATTON ENGINE - MODEL NO. 28N707, TYPE NO. 0121-01



Reference Number		309	310	311	510	544	801	802	803
		Motor & Drive Assembly	Thru Bolt Assembly	Brush Assembly	Starter Drive Group	Armature Assembly	Drive End Cap Assembly	End Cap Assembly Commutator	Housing Assembly
Briggs & Stratton	Housing Length								
	12V	**394805	94003	395538	495878 *	390837	394856	395537 ***	398159



*Includes #398003 Clutch Assembly (Ref. No. 513) ** Uses #94627 Screw-Hex. Head (Ref. No. 728) ***Includes Brush Set
 #280104 Gear (Ref. No. 783)
 #495877 Retainer and Pin (Ref. No. 876)
 #94288 Roll Pin (Ref. No. 896)

REPAIR PARTS

15 HP 42" TRACTOR - - MODEL NUMBER 917.257592

BRIGGS & STRATTON ENGINE - MODEL NO. 28N707, TYPE NO. 0121-01

KEY PART NO. NO.	DESCRIPTION	KEY PART NO. NO.	DESCRIPTION
1 496412	Cylinder Assembly	52 272569	*** Gasket, Carburetor (Elbow to Cylinder)
2 399265	Bearing, Cylinder	53 94637	Stud, Carburetor Mounting
3 391086	* Seal, Oil	75 224061	Washer, Spring
5 495858	Head, Cylinder	78 94626	Screw, Sems
7 272614	*** Gasket, Cylinder Head	95 94098	** Screw, Throttle
8 495735	Breather Assembly	98 495800	Screw, Idle Speed
9 27803	* Gasket, Valve Cover	104 231789	** Pin, Float Hinge
10 94621	Screw, Sems	105 231855	** Valve Float
11 281246	Tube, Breather	106 231854	** Seat, Inlet Valve
12 271916	* Gasket, Crankcase Cover, 1/64"	108 224540	Valve, Choke
271997	* Gasket, Crankcase Cover, .005"	117 231858	** Jet, Needle Valve
271996	* Gasket, Crankcase Cover, .009"	118 495932	Valve, Needle
13 94728	Screw, Cylinder Head	121 495799	Carburetor Overhaul Kit
15 94239	Plug, Oil Drain	123 94616	Screw, Elbow Mounting
16 495162	Crankshaft	125 495935	Carburetor Assembly
94196	Timing Gear Key	127 - - -	** Plug, Welch (Sold in Kit Only)
18 494238	Base, Engine	130 224539	Valve, Throttle
20 291675	* Seal, Oil	131 494379	Shaft and Lever, Throttle
22 94624	Screw, Sems, Base Mounting	133 494381	Float, Carburetor
23 492326	Flywheel and Ring Gear Assembly, Magneto	137 281165	**** Gasket, Float Bowl
24 222698	Key, Flywheel	138 281164	**** Washer, Bowl
25 495860	Piston Assembly, Standard Size	141 495931	Shaft and Lever, Choke
495977	Piston Assembly, .010" Oversize	142 231859	** Nozzle, Carburetor
495978	Piston Assembly, .020" Oversize	147 231794	** Pilot, Jet
495979	Piston Assembly, .030" Oversize	164 214053	Elbow, Carburetor
26 495854	Ring Set, Piston, Standard Size	166 94555	Stud, Rocker Arm
495852	Ring Set, Piston, .010" Oversize	171 281051	Nut, Air Cleaner Mounting
495851	Ring Set, Piston, .020" Oversize	187 393815	Line, Fuel (11" Long, Cut to Suit)
495855	Ring Set, Piston, .030" Oversize	188 93535	Screw, Hex Head, 3/4
27 260924	Lock, Piston Pin	192 492160	Screw Assembly, Rocker Arm
28 299691	Pin Assy., Piston, Standard Size	201 262767	Link, Governor
391286	Pin Assy., Piston, .005" Oversize	209 260695	Spring, Governor
29 494504	Rod Assembly, Connecting	216 262766	Link, Choke
495490	Rod Assembly, Connecting, .020" Undersize Crankpin Bore	219 490815	Gear, Governor
32 94695	Screw, Hex Washer Head, 1-57/64	222 495611	Plate, Governor Control
32A 94648	Screw, Hex Washer Head, 1-5/8	224 94729	Screw, Sems, Air Cleaner
33 495856	Valve, Exhaust	225 231058	Crank, Governor
34 495857	Valve, Intake		
35 262811	Spring, Valve	* Included in Gasket Set (495993)	
37 224502	Guard, Flywheel	** Included in Carburetor Kit (495799)	
40 224641	Retainer, Valve Spring	*** Included in both Gasket Set (495993) and Valve Overhaul Kit (495992)	
45 262411	Tappet, Valve	**** Included in Gasket Set (495993), Carburetor Kit (495799) and Carburetor Gasket Set (494385)	
46 494433	Gear, Cam		
51 272465	**** Gasket, Carburetor (Carburetor to Elbow) (Also Included in Gasket Set, Part Number 495993)		

NOTE: All component dimensions given in U.S. inches
1 inch = 25.4 mm

REPAIR PARTS

15 HP 42" TRACTOR - - MODEL NUMBER 917.257592

BRIGGS & STRATTON ENGINE - MODEL NO. 28N707, TYPE NO. 0121-01

KEY PART NO.	NO.	DESCRIPTION	KEY PART NO.	NO.	DESCRIPTION
227	493935	Lever Assembly, Governor	657	93496	Screw, Sems
230	94742	Washer, Governor Crank	668	280848	Spacer
232	262785	Spring, Governor Link	718	230192	Pin, Dowel
238	262836	Cap, Valve	726	392134	Gear, Ring
240	394358	Filter, Fuel (In Fuel Line)			(Includes Mounting Hardware)
265	221535	Clamp, Casing	727	490324	Cover, Starter
284	94326	Screw, Hex Head	741	262932	Gear, Timing
284A	94073	Screw, Hex Head	757	213998	Link, Counterweight
294	810068	Screw, Set	758	399891	Counterweight Assembly
304	496280	Housing, Blower	759	298909	Pin, Counterweight
305	94513	Screw, Hex, Head,	761	94593	Screw, Counterweight
		Blower Housing Mounting	842	270920	* Seal, Oil Filler Cap
305A	94734	Screw, Hex Head,	847	496415	Fill Group, Oil
		Blower Housing Mounting	851	224110	Terminal, Ignition Cable
306	224696	Shield, Cylinder	868	494435	*** Seal Assembly, Valve
307	94623	Screw, Cylinder Shield	868A	272610	*** Gasket, Valve
333	495859	Armature, Magneto	871	262835	Bushing, Guide (Intake & Exhaust)
334	93381	Screw, Sems, Armature Mounting	872	281361	Cover, Air Cleaner
337	491055	Plug, Spark	875	495862	Body, Air Cleaner
346	93705	Screw, Hex Head	877	393456	Diode and Connector Assembly
356	496070	Wire Assembly	947	495739	Solenoid
358	495993	Gasket Set	965	94108	Nut, Hex
363	19203	Puller, Flywheel	975	495933	Bowl Assembly, Carburetor
383	89838	Wrench, Spark Plug	977	494385	Carburetor Gasket Set
423	94073	Screw, Sems	987	281166	** Seal, Throttle Shaft
445	493909	Cartridge, Air Cleaner	1005	281355	Fan, Flywheel
455	222561	Cup, Screen Mounting	1006	224413	Retainer, Fan
467	493903	Knob, Air Cleaner	1022	272475	*** Gasket, Cover
468	224948	Screen, Flush Rotating	1023	224552	Cover, Rocker Arm
474	393474	Stator, Alternator	1026	494432	Rod, Push, Intake
482	93621	Screw, Sems		495136	Rod, Push, Exhaust
523	495230	Cap and Dipstick, Oil Filler	1029	224554	Arm, Rocker
524	68838	* Seal, Filler Tube	1033	495992	Valve Overhaul Kit
525	496113	Tube, Oil Filler	1034	495248	Guide Assembly, Push Rod
535	272403	Element, Filter	1044	94673	Screw, Hex Head
537	281106	* O-Ring, Air Cleaner	1054	270723	Tie, Cable
552	231597	Bushing, Governor Crank			RPM Settings: Low Speed: 1650-1850
562	92613	Bolt, Governor Lever			High Speed: 3200-3400
592	231082	Nut, Hex			
601	93053	Clamp, Fuel Pipe			* Included in Gasket Set (495993)
611	493496	Elbow, Fuel Pipe			** Included in Carburetor Kit (495799)
614	93306	Pin, Cotter			*** Included in both Gasket Set (495993) and
615	93307	Retainer, E-Ring			Valve Overhaul Kit (495992)
618	262803	Spring, Choke Return			**** Included in Gasket Set (495993), Carburetor Kit
634	281168	** Seal, Choke Shaft			(495799) and Carburetor Gasket Set (494385)
634A	491323	* Seal, Governor			
634B	281167	** Washer, Throttle Shaft			
635	280872	Elbow, Spark Plug			
646	224546	Brace, Air Cleaner			

NOTE: All component dimensions given in U.S. inches
1 inch = 25.4 mm

SERVICE NOTES
