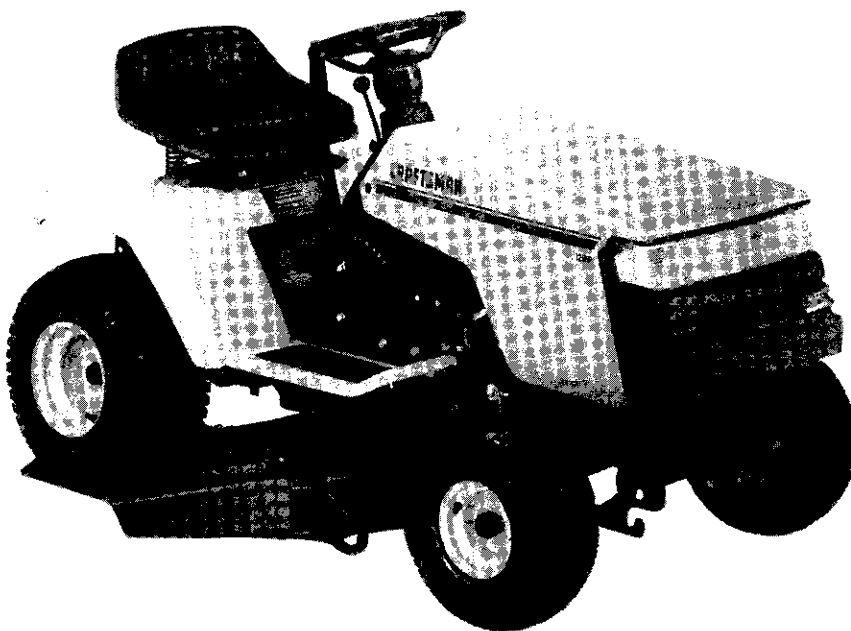


SEARS

CRAFTSMAN[®]

MODEL NUMBER 917.257620 OWNER'S MANUAL



- **Assembly**
- **Operation**
- **Customer Responsibilities**
- **Service**
- **Adjustments**
- **Repair Parts**

Caution:
Read and Follow
all Safety Rules
and Instructions
Before Operating
This Equipment

Sears, Roebuck and Co., Hoffman Estates, IL 60179 U.S.A.

S

le-On Mowers



HANDS AND FEET AND THROWING OBJECTS.
COULD RESULT IN SERIOUS INJURY OR DEATH.

CHILDREN

Accidents can occur if the operator is not alert to the presence of children. Children are often attracted to the mowing activity. *Never* assume that children will remain where you last saw them.

Keep children out of the mowing area and under the watchful eye of another responsible adult.

Be alert and turn machine off if children enter the area.

Be alert and when backing, look behind and *down* for small children.

Never carry children. They may fall off and be seriously injured or interfere with safe machine operation.

Never allow children to operate the machine.

Use extra care when approaching blind corners, shrubs, trees, or other objects that may obscure vision.

SERVICE

Use extra care in handling gasoline and other fuels. They are flammable and vapors are explosive.

Use only an approved container.

Never remove gas cap or add fuel with the engine running. Allow engine to cool before refueling. Do not smoke.

Never refuel the machine indoors.

Never store the machine or fuel container inside where there is an open flame, such as a water heater.

Never run a machine inside a closed area.

Keep nuts and bolts, especially blade attachment bolts, tight and keep equipment in good condition.

Never tamper with safety devices. Check their proper operation regularly.

Keep machine free of grass, leaves, or other debris build-up. Clean oil or fuel spillage. Allow machine to cool before storing.

Stop and inspect the equipment if you strike an object. Repair, if necessary, before restarting.

Never make adjustments or repairs with the engine running.

Grass catcher components are subject to wear, damage, and deterioration, which could expose moving parts or allow objects to be thrown. Frequently check components and replace with manufacturer's recommended parts, when necessary.

Mower blades are sharp and can cut. Wrap the blade(s) or wear gloves, and use extra caution when servicing them.

Check brake operation frequently. Adjust and service as required.



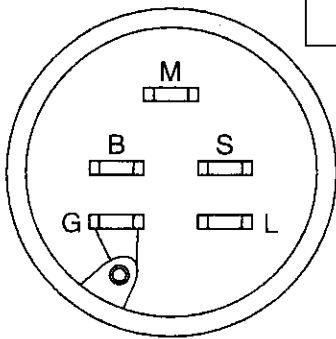
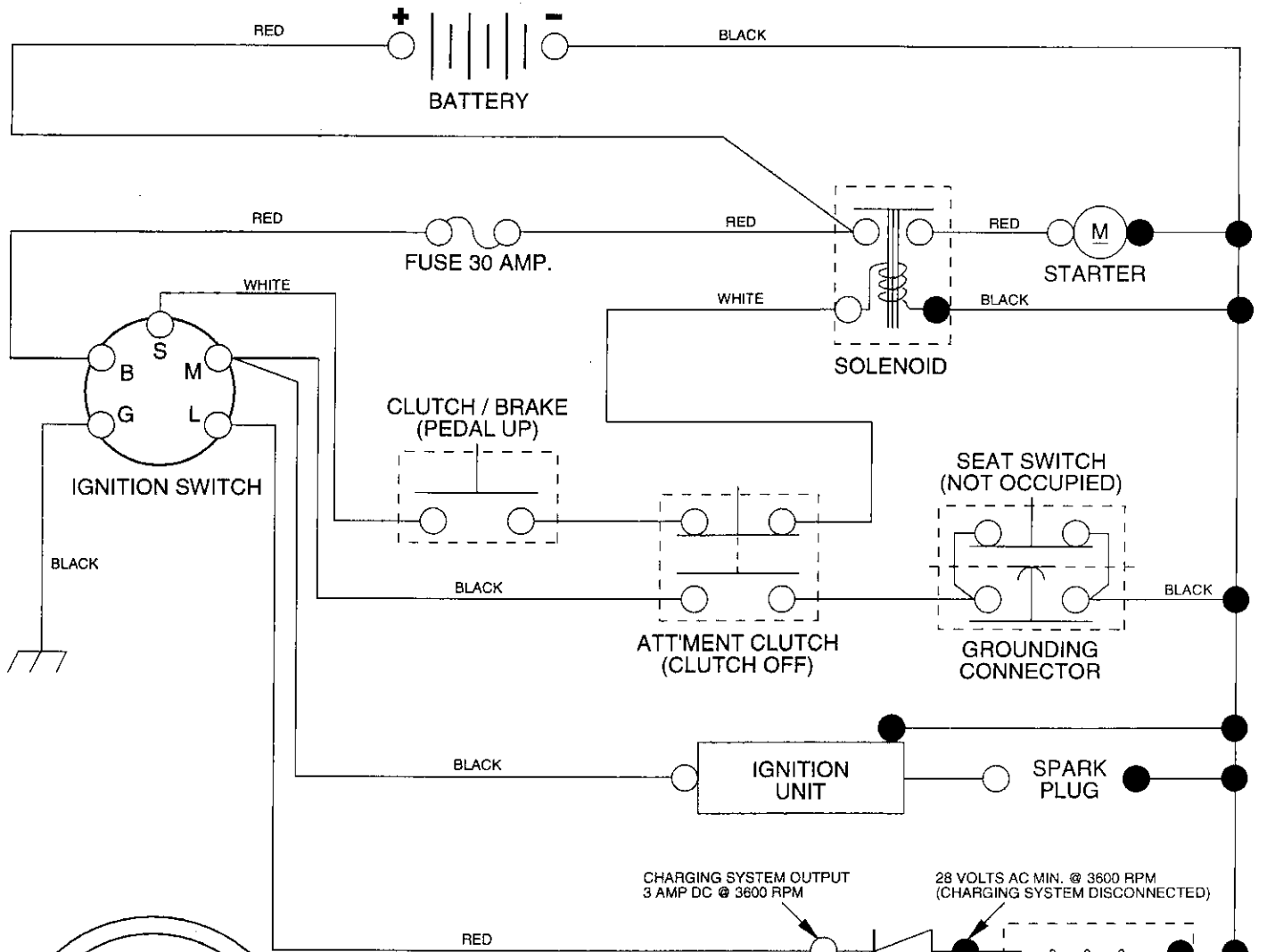
Look for this symbol to point out important safety precautions. It means **CAUTION!!! BECOME ALERT!!! YOUR SAFETY IS INVOLVED.**



CAUTION: Always disconnect spark plug wire and place wire where it cannot contact spark plug in order to prevent accidental starting when setting up, transporting, adjusting or making repairs.

12.5 HP 38" TRACTOR - - MODEL NUMBER 917.257620

SCHEMATIC

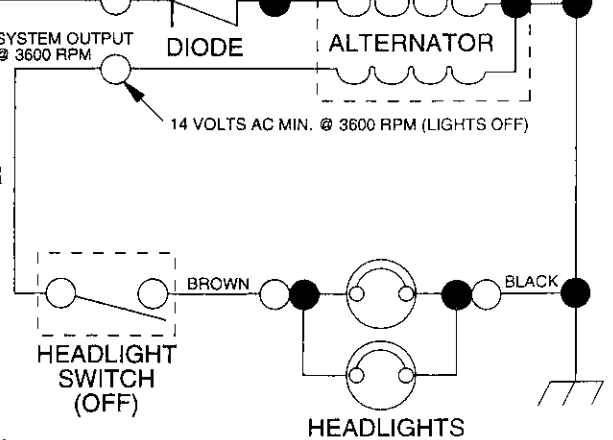


IGNITION SWITCH

POSITION	CIRCUIT
OFF	M + G
ON	B + L
START	B + S

NOTE
YOUR TRACTOR IS EQUIPPED WITH A SPECIAL ALTERNATOR SYSTEM. THE LIGHTS ARE NOT CONNECTED TO THE BATTERY, BUT HAVE THEIR OWN ELECTRICAL SOURCE. BECAUSE OF THIS, THE BRIGHTNESS OF THE LIGHTS WILL CHANGE WITH ENGINE SPEED. AT IDLE THE LIGHTS WILL DIM. AS THE ENGINE IS SPEEDED UP, THE LIGHTS WILL BECOME THEIR BRIGHTEST.

● NON-REMOVABLE CONNECTIONS ○ REMOVABLE CONNECTIONS



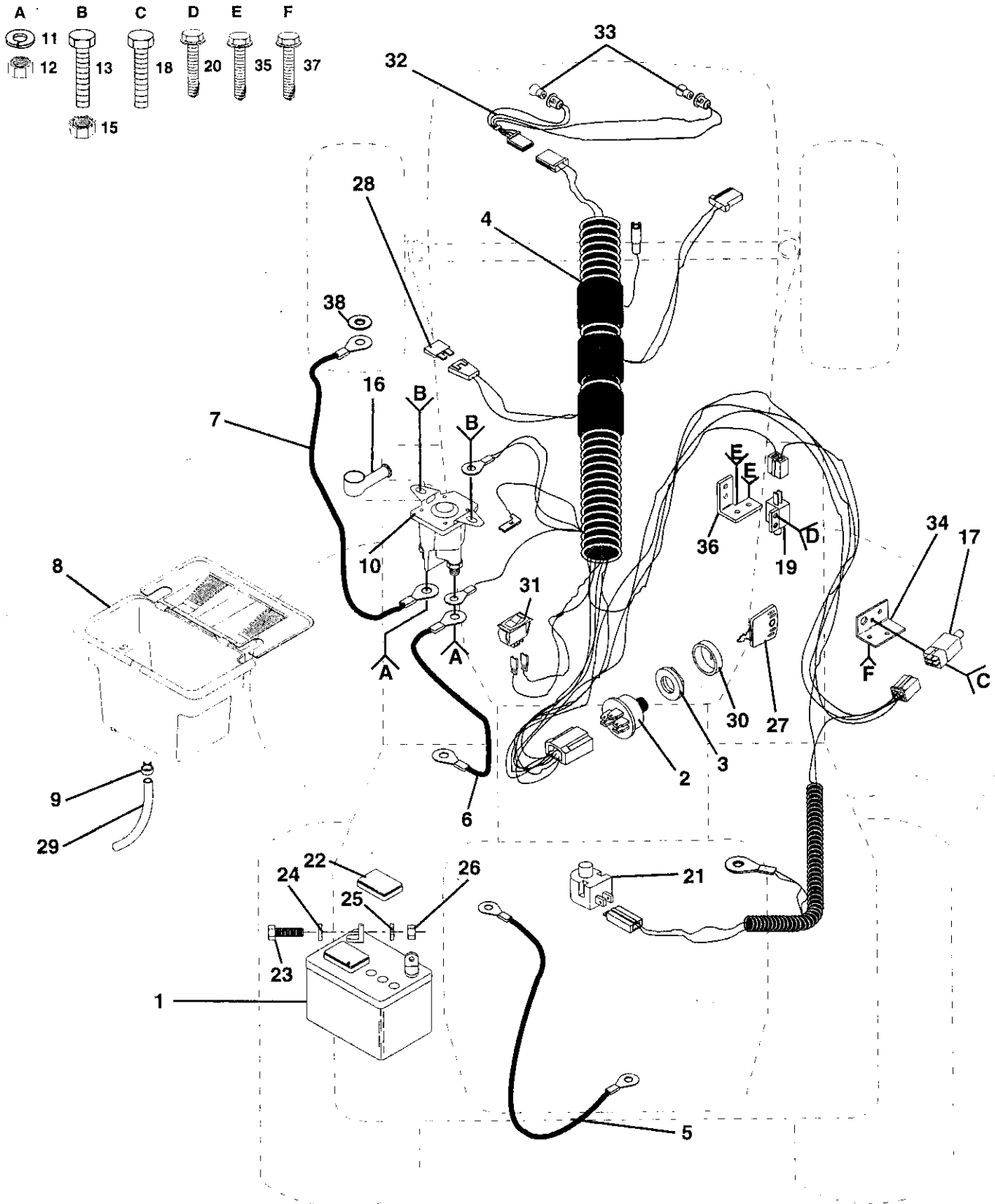
WIRING INSULATED CLIPS

NOTE: IF WIRING INSULATED CLIPS WERE REMOVED FOR SERVICING OF UNIT, THEY SHOULD BE REPLACED TO PROPERLY SECURE YOUR WIRING.

REPAIR PARTS

12.5 HP 38" TRACTOR - - MODEL NUMBER 917.257620

ELECTRICAL



REPAIR PARTS

12.5 HP 38" TRACTOR - - MODEL NUMBER 917.257620

ELECTRICAL

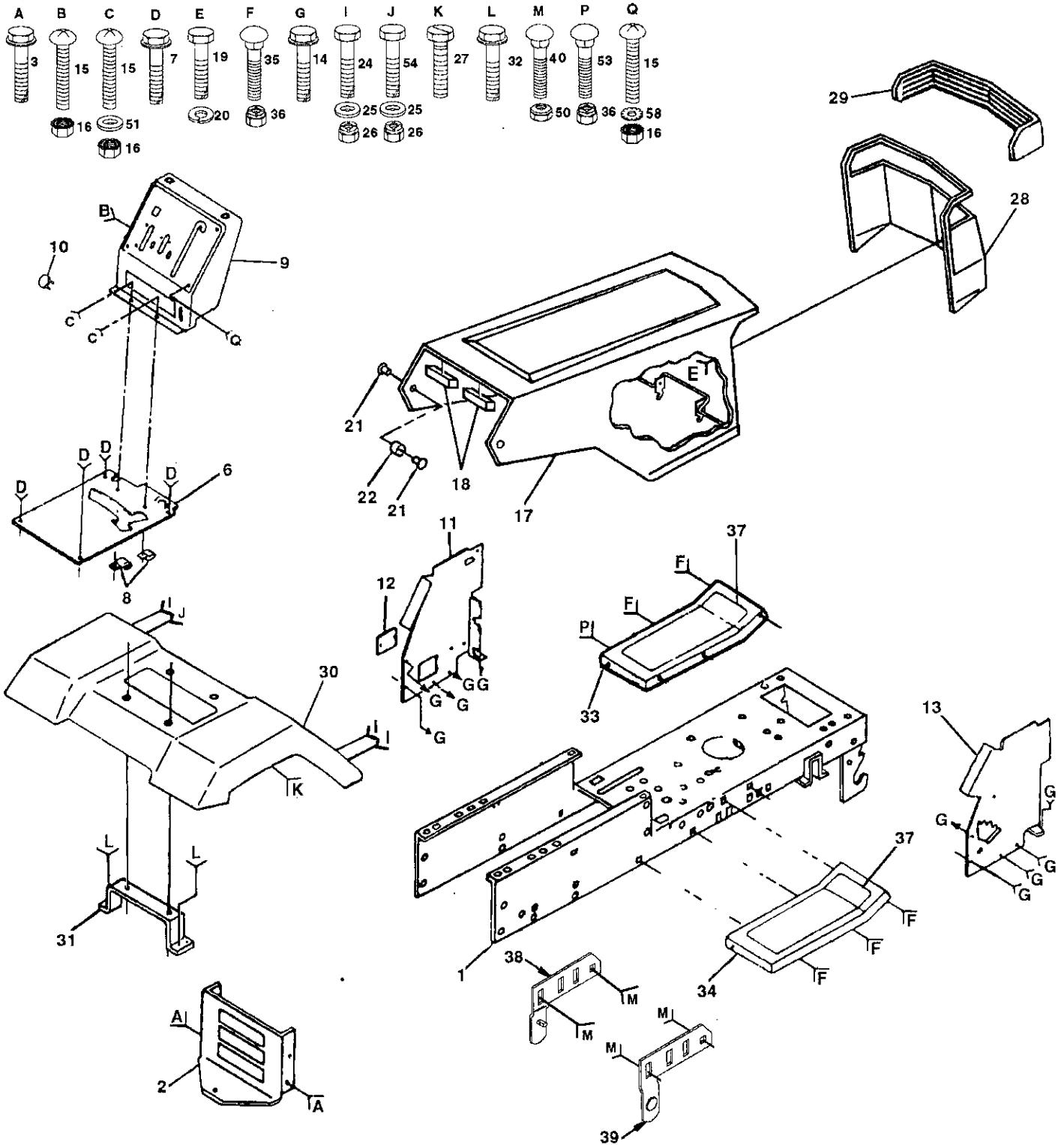
KEY NO.	PART NO.	DESCRIPTION
1	121265X	Battery
2	STD365402	Switch, Ignition
3	124211X	Nut, Ignition
4	132017	Harness, Ignition
5	4207J	Cable, Ground
6	132202	Cable, Battery
7	108423X	Cable, Battery
8	129965	Box, Battery
9	109596X	Clamp, Hose
10	138406	Solenoid
11	STD551125	Washer, Lock 1/4
12	73350400	Nut, Hex, Jam 1/4-20 UNC
13	71110408	Bolt, Hex Head, Fin. 1/4-20 UNC x 1/2 Grade 5
15	73640400	Nut, Hex, Keps 1/4-20 UNC
16	131563	Cover, Terminal
17	109553X	Switch, Interlock, Clutch
18	STD601005	Screw, Hex Head, Self-Tapping #10-24 UNC x 1/2
19	104445X	Switch, Interlock, Clutch
20	STD601005	Screw, Hex Head, Self-Tapping #10-24UNC x 1/2
21	121305X	Switch, Plunger
22	121264X	Cap, Battery
23	74760412	Bolt, Hex Head 1/4-20 UNC x 3/4
24	STD551025	Washer 9/32 x 5/8 x 16 Gauge
25	STD551125	Washer, Lock, Heavy Helical Spring 1/4
26	STD541025	Nut, Hex, Fin. 1/4-20 UNC
27	109310X	Key, Ignition
28	108824X	Fuse, 30 Amp
29	109238X	Tube, Plastic
30	123620X	Cover, Key Switch
31	110712X	Switch, Light
32	136850	Harness, Light Socket
33	4152J	Bulb, Light
34	108236X	Bracket, Clutch Switch
35	STD601005	Screw, Hex Head, Self-Tapping #10-24UNC x 1/2
36	130890	Bracket Switch Interlock
37	STD601005	Screw, Hex Head, Self-Tapping #10-24UNC x 1/2
38	11150400	Washer Lock Int Tooth 1/4

NOTE: All component dimensions given in U.S. inches
1 inch = 25.4 mm

REPAIR PARTS

12.5 HP 38" TRACTOR - - MODEL NUMBER 917.257620

CHASSIS AND ENCLOSURES



REPAIR PARTS

12.5 HP 38" TRACTOR - - MODEL NUMBER 917.257620

CHASSIS AND ENCLOSURES

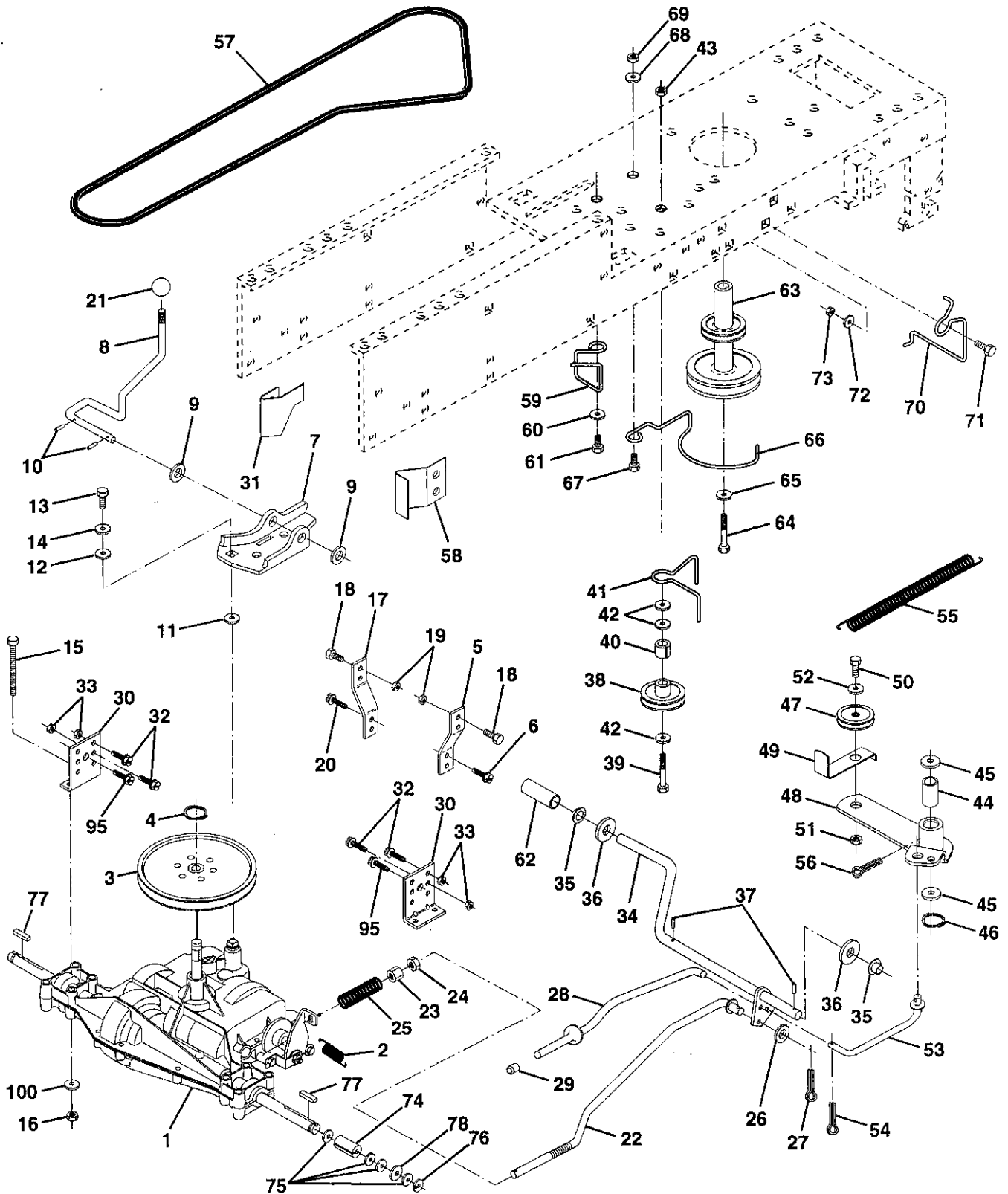
KEY NO.	PART NO.	DESCRIPTION
1	135034	Chassis Assembly
2	137275	Drawbar
3	17490612	Screw, Thd., Roll. 3/8-16 x 3/4
6	130800X028	Saddle
7	17490608	Screw, Thd. Roll. 3/8-16 x 1/2
8	2751R	Clip, Fuel Line
9	137411X016	Dashboard
10	5479J	Plug, Button
11	122795X	Panel, Dash, LH
12	121794X	Cover, Access
13	124031X016	Panel, Dash, RH
14	17490608	Screw, Thd., Roll. 3/8-16 x 1/2
15	74180512	Screw, Machine, Truss Head 5/16-18 UNC x 3/4
16	STD541431	Nut, Hex, Keps 5/16-18 UNC
17	131445X417	Hood Assembly
18	126938X	Bumper, Hood
19	STD512505	Bolt, Hex, Fin. 1/4-20 UNC x 1/2
20	STD551125	Washer, Lock, Heavy Helical Spring 1/4
21	122933X	Rivet, Ratchet, Nylon
22	124479X	Washer, Nylon
24	STD523707	Bolt, Hex, Fin. 3/8-16 UNC x 3/4
25	19131312	Washer 13/32 x 13/16 x 12 Gauge
26	STD541437	Nut, Crownlock 3/8-16 UNC
27	17490608	Screw, Thd., Roll. 3/8-16 x 1/2
28	123915X	Grill
29	124029X	Lens, Headlight Bar
30	109872X417	Fender
31	136619	Bracket, Fender
32	17490612	Screw, Thd., Roll. 3/8-16 x 3/4
33	105465X417	Footrest, Perforated, LH
34	105464X417	Footrest, Perforated, RH
35	STD533707	Bolt, Carriage 3/8-16 x 3/4
36	STD541437	Nut, Crownlock 3/8-16 UNC
37	105466X	Pad, Footrest Rbr
38	134618	Bracket Assembly, Pivot, Mower, Rear, LH
39	134617	Bracket Assembly, Pivot, Mower, Rear, RH
40	72140608	Bolt, Carriage 3/8-16 x 1
50	STD541437	Locknut, Hex, with Washer Insert 3/8-16 UNC
51	19131216	Washer 13/32 x 3/4 x 16 Ga
53	72140608	Carriage Bolt 3/8 - 16 x 1
54	74760614	Bolt Hex 3/8 - 16 x 7/8
58	11050600	Washer lock ext. tooth 3/8

NOTE: All component dimensions given in U.S. inches
1 inch = 25.4 mm

REPAIR PARTS

12.5 HP 38" TRACTOR - - MODEL NUMBER 917.257620

DRIVE



REPAIR PARTS

12.5 HP 38" TRACTOR - - MODEL NUMBER 917.257620

DRIVE

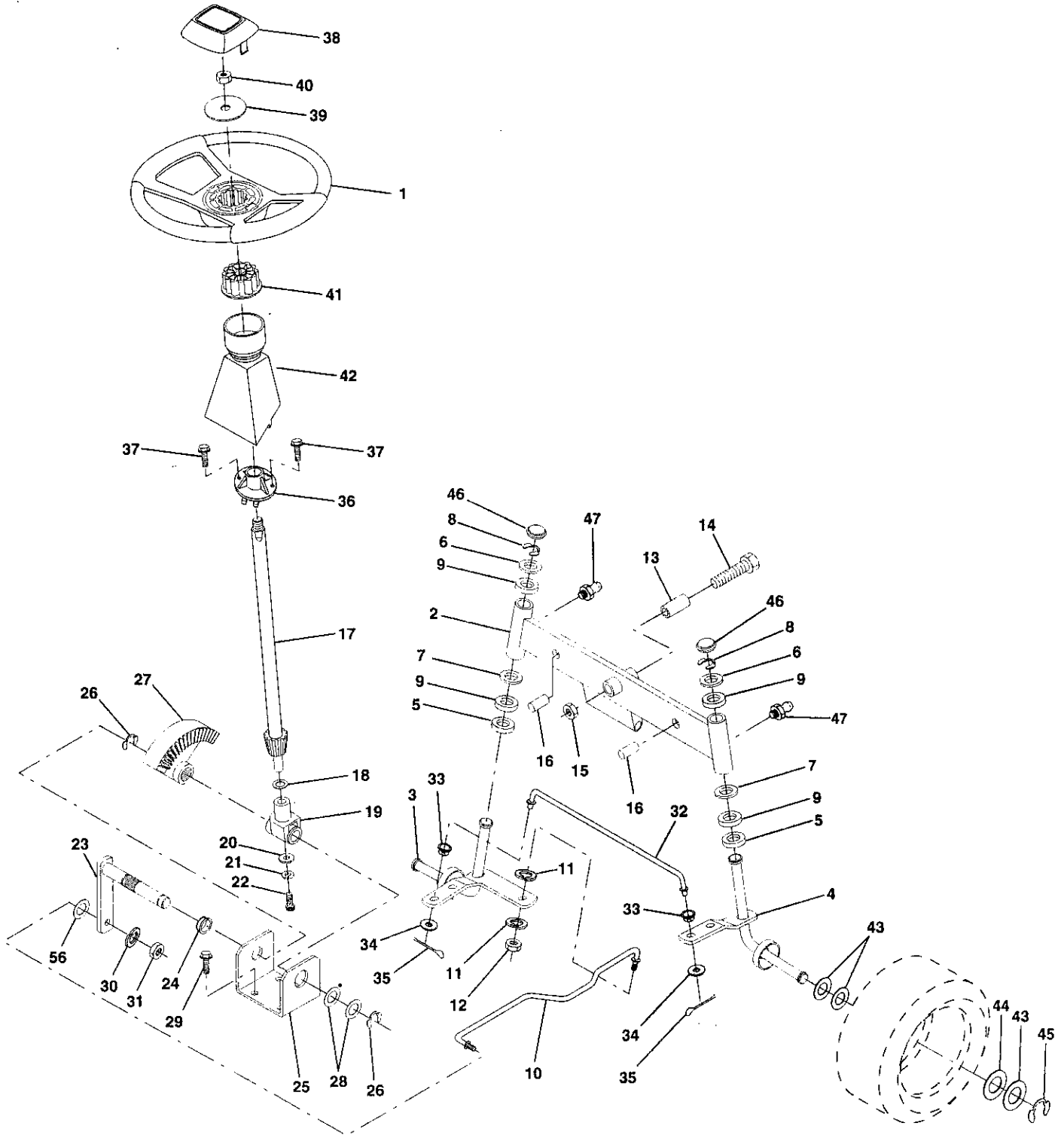
KEY NO.	PART NO.	DESCRIPTION	KEY NO.	PART NO.	DESCRIPTION
1	137362	Transaxle, Dana, 5 Speed, Model Number 4360-47	40	4470J	Spacer, Split
2	110422X	Spring, Brake Return, Transaxle	41	109070X	Keeper, Belt Retainer
3	123666X	Pulley, Transaxle	42	19131312	Washer 13/32 x 13/16 x 12 Gauge
4	12000028	Ring, Retainer	43	STD541437	Nut, Lock Hex w/Wsh 3/8-16 UNC
5	121520X	Strap, Torque	44	105706X	Bearing, Nylon
6	17490512	Screw, Hex Hd, Thd. Roll. 5/16-18 x 3/4	45	110812X	Washer, Hardened
7	130802	Plate, Shift	46	12000039	Ring, Klip
8	131679	Rod, Shifter	47	127783	Pulley, Idler, V-Groove
9	19151216	Washer 15/32 x 3/4 x 16 Gauge	48	123789X	Bellcrank Assembly
10	STD561210	Pin, Cotter 1/8 x 1	49	123205X	Retainer, Belt
11	105701X	Washer, Shift Plate	50	STD523715	Bolt, Hex Head 3/8-16 UNC x 1-1/2
12	19091210	Washer 9/32 x 3/4 x 10 Gauge	51	STD541437	Nut, Crownlock 3/8-16 UNC
13	71040412	Bolt, Hex Head, Fin. 1/4-28 UNF x 3/4 Grade 8	52	STD551037	Washer 13/32 x 13/16 x 16 Gauge
14	STD551125	Washer, Lock, Hvy Hlcl Spring 1/4	53	105710X	Link, Clutch
15	74780544	Bolt, Hex 5/16-18 x 2-3/4	54	STD561210	Pin, Cotter 1/8 x 3/4
16	STD541431	Nut, Crownlock 5/16-18	55	105709X	Spring, Return, Clutch
17	121520X	Strap, Torque	56	STD561210	Pin, Cotter 1/8 x 3/4
18	STD523707	Bolt, Hex, Fin. 3/8-16 UNC x 3/4	57	138255	V-Belt, Ground Drive
19	STD541437	Nut, Crownlock 3/8-16 UNC	58	127274X	Keeper, Belt, RH
20	17490512	Screw, Hex Hd, Thd. Roll. 5/16-18 x 3/4	59	136715	Retainer, Belt, Chassis, LH
21	106933X	Knob, Round	60	19131312	Washer 13/32 x 13/16 x 12 Gauge
22	130804	Rod, Brake	61	17490612	Screw, Hex Head, Thd. Roll. 3/8-16 x 3/4
23	STD541437	Locknut, Hex, with Washer Insert 3/8-16 UNC	62	8883R	Cover, Pedal
24	STD541237	Nut, Hex, Jam 3/8-16 UNC	63	134825	Pulley, Engine
25	106888X	Spring, Brake Rod	64	71170764	Bolt, Hex 7/16-20 x 4 Grade 8
26	STD551037	Washer 13/32 x 13/16 x 16 Gauge	65	STD551143	Washer, Lock, Hvy Hlcl Spring 7/16
27	STD561210	Pin, Cotter 1/8 x 3/4	66	129921	Keeper, Belt, Engine, LH
28	128904	Rod, Parking Brake	67	STD523710	Bolt, Hex, Fin. 3/8-16 UNC x 1
29	124236X	Cap, Parking Brake, Red	68	19131312	Washer 13/32 x 13/16 x 12 Gauge
30	130807	Bracket, Transmission	69	STD541437	Nut, Crownlock 3/8-16 UNC
31	127275X	Keeper, Belt, LH	70	134683	Guide, Mower Drive Belt, RH
32	STD523107	Bolt, Hex 5/16-18 x 3/4	71	STD523710	Bolt, Hex, Fin. 3/8-16 UNC x 1
33	STD541431	Locknut, Hex w/lns 5/16-18	72	19132012	Washer 13/32 x 1-1/4 x 12 Gauge
34	122424X	Shaft Assembly, Foot Pedal	73	STD541437	Nut, Crownlock 3/8-16 UNC
35	120183X	Bearing, Nylon	74	109502X	Spacer, Split
36	STD551062	Washer 21/32 x 1 x 16 Gauge	75	121749X	Washer 25/32 x 1-1/4 x 16 Gauge
37	STD571810	Pin, Roll 3/16 x 1	76	STD581075	E-Ring
38	123674X	Pulley, Idler, Flat	77	123583X	Key, Square 2.0 x .1845/.1865
39	STD523727	Bolt, Hex, Fin. 3/8-16 UNC x 2-3/4	78	121748X	Washer 25/32 x 1-5/8 x 16 Gauge
			95	17490612	Screw Thdrol w/lns 3/8-16 x 3/4
			100	19111216	Washer

NOTE: All component dimensions given in U.S. inches
1 inch = 25.4 mm

REPAIR PARTS

12.5 HP 38" TRACTOR - - MODEL NUMBER 917.257620

STEERING ASSEMBLY



REPAIR PARTS

12.5 HP 38" TRACTOR - - MODEL NUMBER 917.257620

STEERING ASSEMBLY

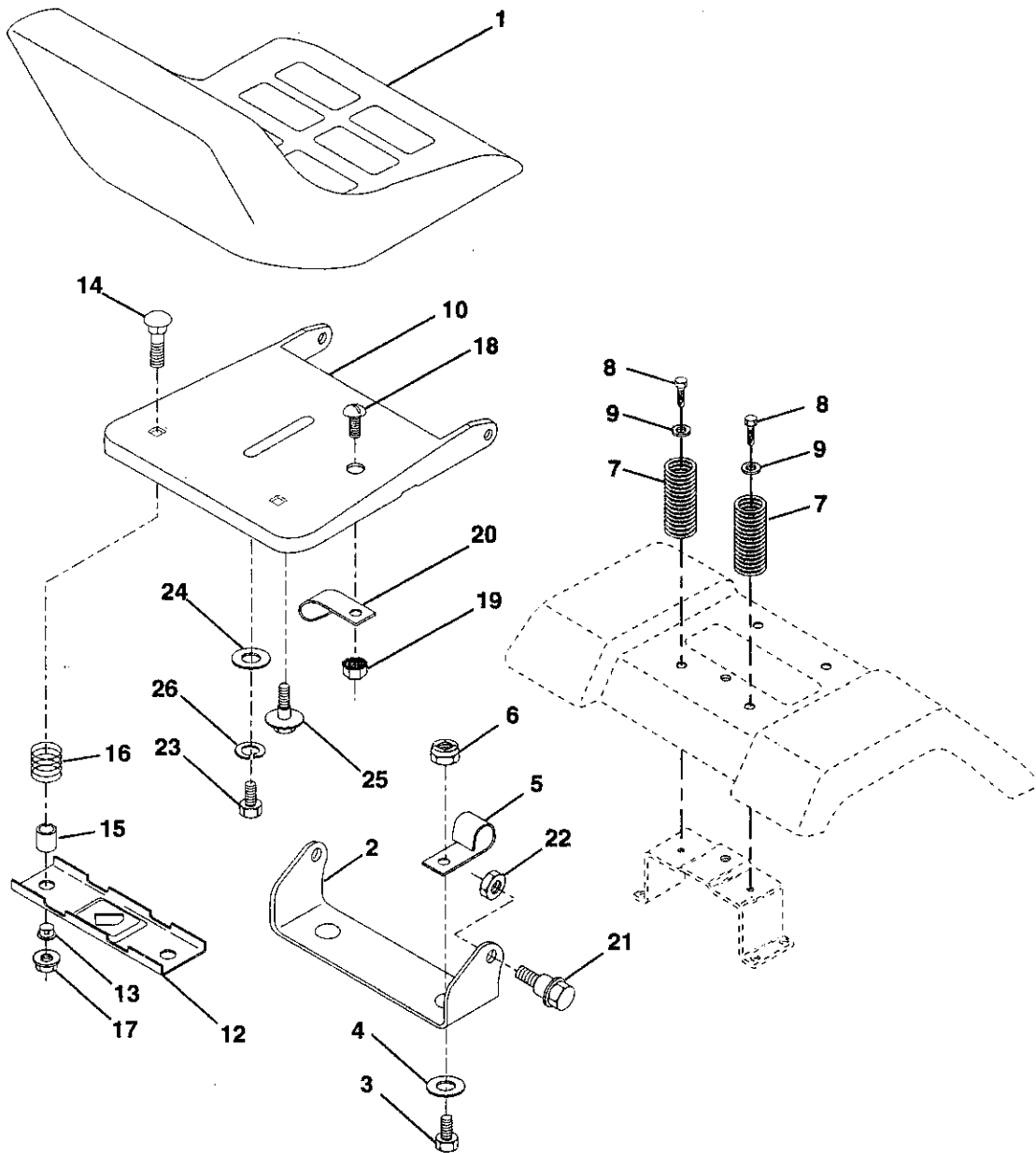
KEY NO.	PART NO.	DESCRIPTION
1	133741	Steering Wheel
2	133988	Axle Assembly, Front
3	135227	Spindle Assembly, LH
4	135228	Spindle Assembly, RH
5	6266H	Bearing, Thrust
6	121748X	Washer 25/32 x 1-5/8 x 16 Gauge
7	19272016	Washer 27/32 x 1-1/4 x 16 Gauge
8	12000029	Ring, Klip
9	3366R	Bearing, Steering Column
10	130468	Link, Drag
11	STD551137	Washer, Lock, Hvy Hlcl Spring 3/8
12	73610600	Nut, Hex, Fin. 3/8-24 UNF
13	110438X	Spacer, Bearing, Front Axle
14	74011056	Bolt, Hex Head 5/8-11 UNC x 3-1/2
15	73901000	Nut, Lock Flange 5/8-11 UNC
16	132624	Pin, Axle 5/8 x 1.55/1.54
17	132614	Shaft Assembly, Steering
18	57079	Washer, Thrust .515 x .750 x .033
19	124035X	Support, Shaft
20	126684X	Washer, Shim 1/4 x 5/8 x .062
21	STD551125	Washer, Lock, Heavy Helical Spring 1/4
22	71070410	Screw, Hex Socket Head 1/4-20 x 5/8
23	127501	Shaft Assembly, Pittman
24	109816X	Nyliner, Snap-In
25	124036X	Bracket, Steering
26	12000029	Ring, Klip
27	136874	Gear, Sector
28	6266H	Bearing, Thrust
29	17490612	Screw, Thd. Roll. 3/8-16 x 3/4
30	STD551137	Washer, Lock, Heavy Helical Spring 3/8
31	73610600	Nut, Hex, Fin. 3/8-24 UNF
32	130465	Rod, Tie
33	126847X	Bushing, Tie Rod
34	19131416	Washer 13/32 x 7/8 x 16 Gauge
35	STD561210	Pin, Cotter 1/8 x 3/4
36	132196	Bushing, Steering
37	STD611005	Screw, Self-Tapping #10-16 x 1/2
38	133742	Insert, Steering Wheel
39	19133808	Washer 13/32 x 2-3/8 x 8 Gauge
40	STD541537	Nut, Centerlock 3/8-24 UNF
41	104820X	Adaptor, Steering Wheel
42	124417X	Boot, Steering Shaft
43	121749X	Washer 25/32 x 1-1/4 x 16 Gauge
44	121748X	Washer 25/32 x 1-5/8 x 16 Gauge
45	12000029	Ring, Klip
46	121232X	Cap, Spindle
47	6855M	Fitting Grease
56	19131210	Washer 13/32 x 3/4 x 10 Ga.

NOTE: All component dimensions given in U.S. inches
1 inch = 25.4 mm

REPAIR PARTS

12.5 HP 38" TRACTOR - - MODEL NUMBER 917.257620

SEAT ASSEMBLY



KEY NO.	PART NO.	DESCRIPTION
1	127437	Seat
2	126656X	Bracket, Pivot, Seat
3	STD523707	Bolt, Hex, Fin. 3/8-16 UNC x 3/4
4	19131610	Washer 13/32 x 1 x 10 Gauge
5	2751R	Clip, Fuel Line
6	STD541437	Nut, Crownlock 3/8-16 UNC
7	124181X	Spring, Seat
8	17490616	Screw, Thd. Roll. 3/8-16 x 1
9	19131614	Washer 13/32 x 1 x 14 Gauge
10	131451	Pan, Seat
12	121246X	Bracket, Switch Mounting
13	121248X	Bushing, Snap
14	72050411	Bolt, Carriage 1/4-20 x 1-3/8
15	134300	Spacer, Split

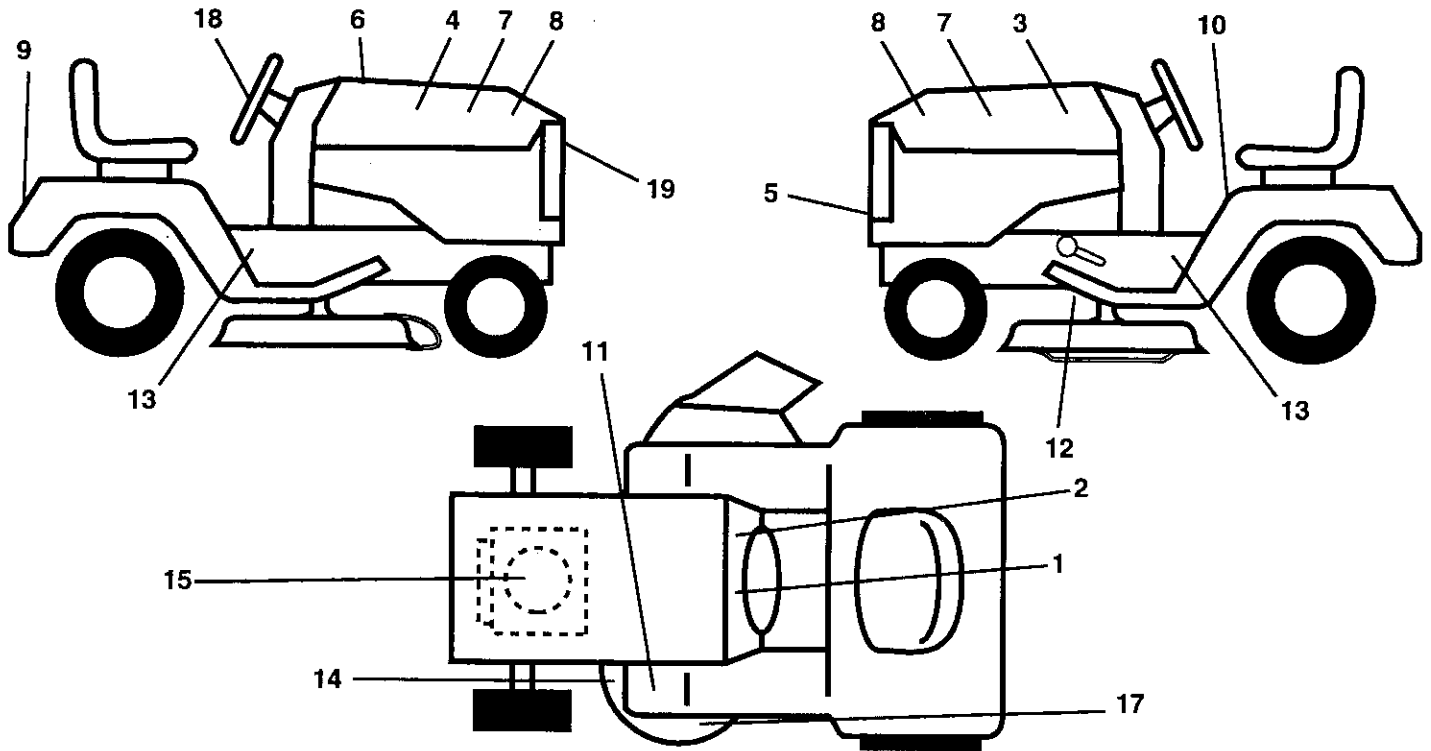
KEY NO.	PART NO.	DESCRIPTION
16	121250X	Spring
17	123976X	Locknut 1/4 Grade 5
18	STD511005	Screw, Slotted Pan Head #10-32 x 1/2
19	73951000	Nut, Hex, Keps #10-32 UNF
20	4171R	Clip, Insulated
21	139888	Bolt, Shoulder 5/16-18 UNC
22	STD541431	Nut, Crownlock 5/16-18
23	74780814	Bolt, Hex, Fin. 1/2-13 x 7/8 Grade 5
24	19171912	Washer 17/32 x 1-3/16 x 12 Gauge
25	127018X	Bolt, Shoulder 5/16-18 x .62
26	STD551150	Washer, Lock, Hvy Hlcl Spring 1/2

NOTE: All component dimensions given in U.S. inches
1 inch = 25.4 mm

REPAIR PARTS

12.5 HP 38" TRACTOR - - MODEL NUMBER 917.257620

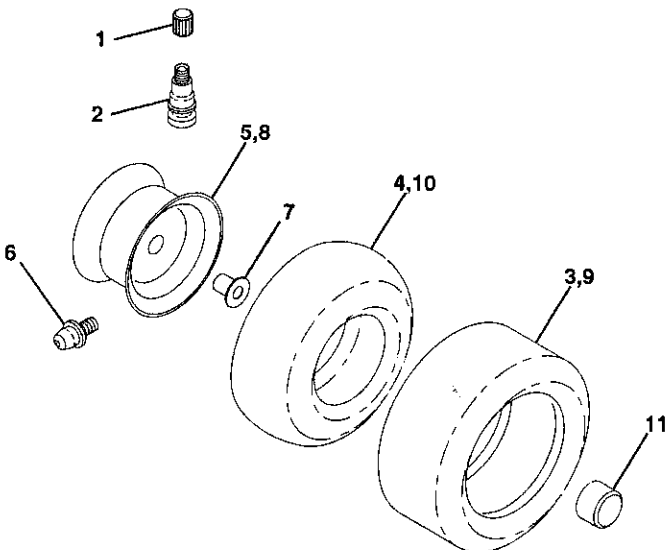
DECALS



KEY NO.	PART NO.	DESCRIPTION
1	138955	Decal, Operating Instruction
2	138836	Decal, Dash Lawn Tractor LT
3	124489X	Decal, Craftsman, Hood, LH
4	124490X	Decal, Craftsman, Hood, RH
5	132674	Decal, LT4000, Craftsman, Grill
6	133644	Decal, Maintenance
7	138249	Decal, 12.5 HP Side Panel
8	108631X	Decal, II
9	125880X	Decal, Craftsman, Fender
10	137537	Decal, Caution

KEY NO.	PART NO.	DESCRIPTION
11	4900J	Decal, Clutch/Brake
12	109199X	Decal, V-Belt Drive Schematic
13	105809X	Decal, 5 Speed, 38", Chassis
14	136832	Decal, Mower Drive Schematic
15	138653	Decal, Eng 12.5 HP B&S IC
17	133179	Decal, Mower QC System
18	132267	Decal, Craftsman, USA, Steering Wheel Insert
--	138311	Decal, Lightbox
--	140390	Decal, Lift Handle
--	140390	Manual, Owner's (English)
--	140391	Manual, Owner's (Spanish)

WHEELS & TIRES



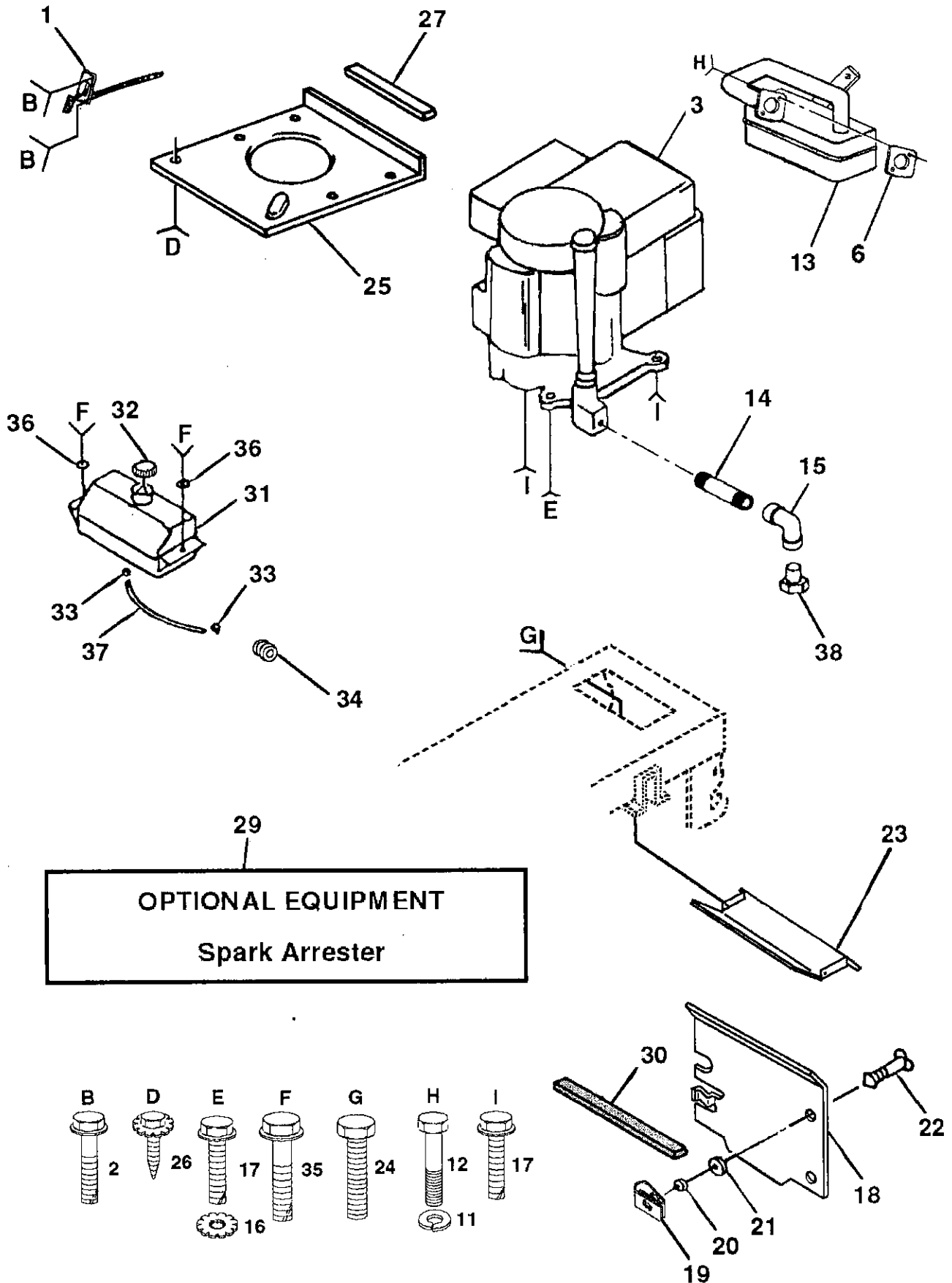
KEY NO.	PART NO.	DESCRIPTION
1	59192	Cap, Valve
2	65139	Stem, Valve
3	106222X	Tire, Front
4	59904	Tube, Tire, Front (Optional, Service Item Only)
5	106732X361	Rim Assembly, Front
6	278H	Fitting, Grease
7	9040H	Bearing, Flange
8	106108X361	Rim Assembly, Rear
9	124635X	Tire, Rear
10	7152J	Tube, Tire, Rear (Optional, Service Item Only)
11	104757X	Cover, Axle

NOTE: All component dimensions given in U.S. inches
1 inch = 25.4 mm

REPAIR PARTS

12.5 HP 38" TRACTOR - - MODEL NUMBER 917.257620

ENGINE



REPAIR PARTS

12.5 HP 38" TRACTOR - - MODEL NUMBER 917.257620

ENGINE

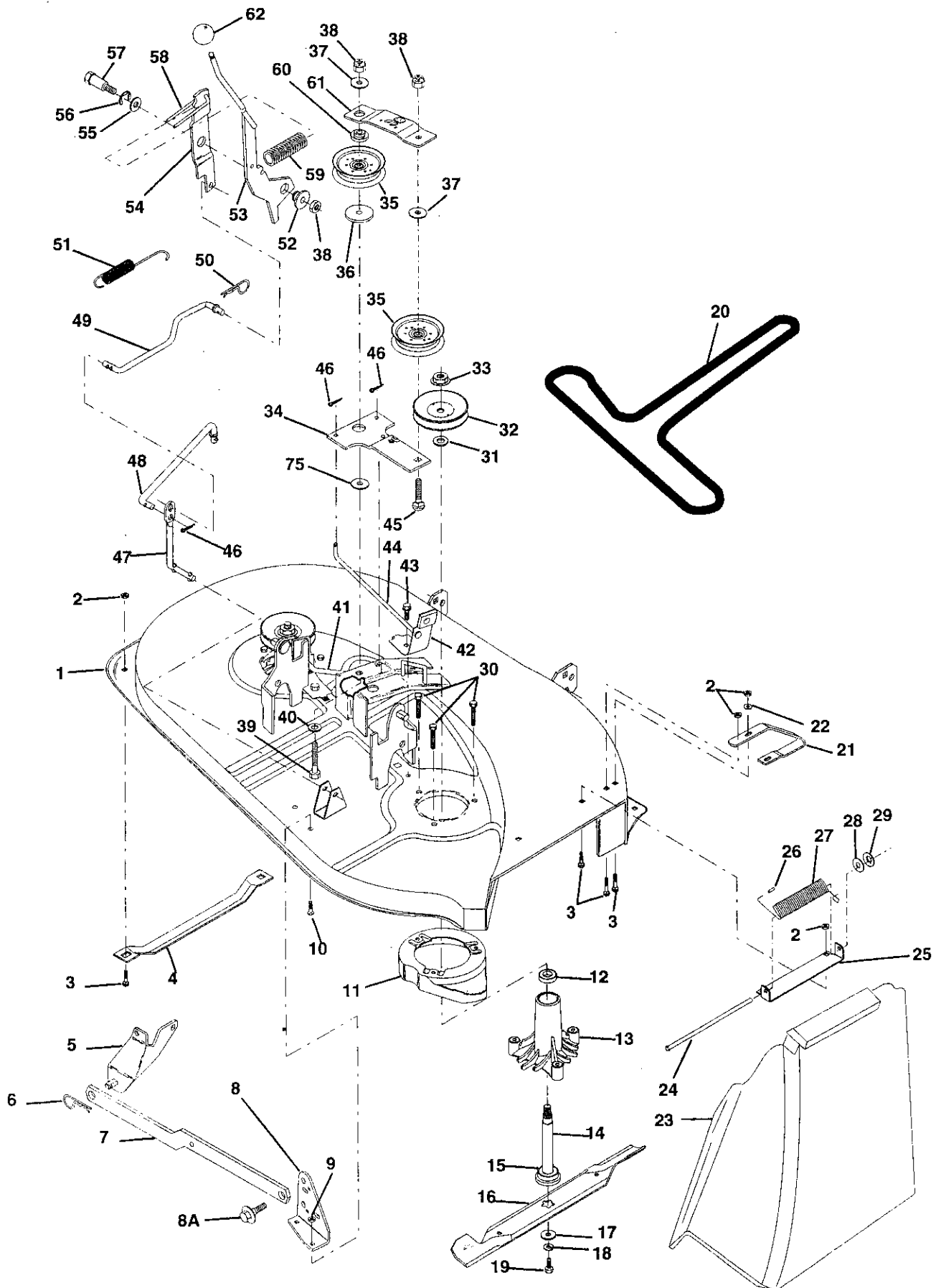
KEY NO.	PART NO.	DESCRIPTION
1	132759	Control, Throttle/Ch RH Blk
2	17720410	Screw, Hex Head, Thread Cutting 1/4-20 x 5/8
3	137425	Engine B&S 12.5 IC Dual 1V Model Number 289707, Type No. 0130-01
6	125593X	Gasket
11	STD551131	Washer, Lock, Hvy Hlcl Spring 5/16
12	71070512	Screw, Hex Cap Head 5/16-18 x 3/4
13	137348	Muffler, Exhaust
14	13280324	Nipple, Pipe 3/8 NPT x 3
15	13200300	Elbow, Standard 90° 3/8-18 NPT
16	STD551237	Washer, Lock, External Tooth 3/8
17	17490620	Screw, Thd., Roll. 3/8-16 x 1-1/4
18	136718	Shield, Heat
19	105839X	Receptacle, 1/4 Turn
20	105838X	Retainer, 1/4 Turn
21	STD551025	Washer 9/32 x 5/8 x 16 Gauge
22	123650X	Stud, 1/4 Turn
23	128953	Shield, Heat
24	STD601005	Screw, Hex Head, Self-Tapping #10-24 UNC x 1/2
25	124027X	Shield, Heat, Hood
26	17030808	Screw, Hex Head, Spiderlock #8 x 1/2 AB
27	105037X	Strip, Foam
29	137180	Arrestor, Spark
30	127057X	Strap, Hood
31	109202X	Tank, Fuel
32	123549X	Cap Assembly, Fuel Tank, Vented
33	123487X	Clamp, Hose
34	124028X	Bushing, Snap, Nylon, Fuel Line
35	17490412	Screw, Hex Washer Head, Thd., Roll. 1/4-20 x 3/4
36	19091416	Washer 9/32 x 7/8 x 16 Gauge
37	101335K	Line, Fuel
38	---	Plug, Oil Drain (Order From Engine Manufacturer)

NOTE: All component dimensions given in U.S. inches
1 inch = 25.4 mm

REPAIR PARTS

12.5 HP 38" TRACTOR - - MODEL NUMBER 917.257620

38" MOWER



REPAIR PARTS

12.5 HP 38" TRACTOR - - MODEL NUMBER 917.257620

38" MOWER

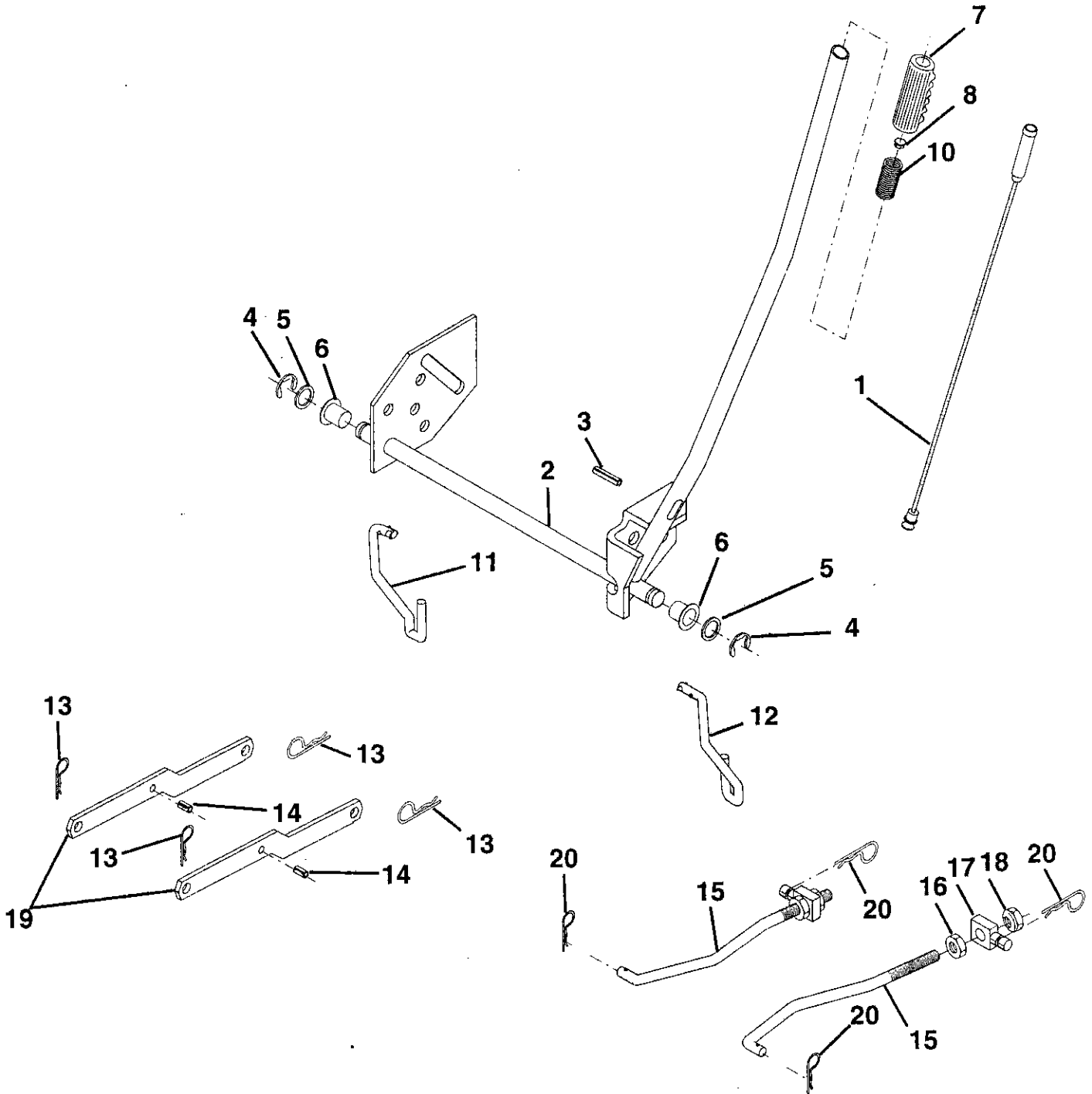
KEY NO.	PART NO.	DESCRIPTION	KEY NO.	PART NO.	DESCRIPTION
1	138026	Mower Housing Assembly	35	131494	Pulley, Idler, Flat
2	STD541431	Nut, Crownlock 5/16-18	36	122052X	Spacer, Retainer 1-3/4
3	STD533107	Bolt, Carriage 5/16-18 x 3/4	37	19131612	Washer 13/32 x 1 x 12 Gauge
4	7631J	Runner, LH	38	STD541437	Nut, Crownlock 3/8-16
5	138017	Bracket Asm. Fram Sway Bar 38/42	39	74600636	Bolt, Hex Head 3/8-16 x 2-1/4
6	4939M	Retainer, Spring	40	19131612	Washer 13/32 x 1 x 12 Gauge
7	130832	Asm. Suspension Rear	41	131289	Rod, Brake, LH
8	138440	Bracket, Asm. Deck Sway Bar 38"	42	130840	Brake Assembly
8A	132827	Bolt, Shoulder	43	17490512	Screw, Hex Head, Thd., Roll. 5/16-18 x 3/4
9	73800500	Locknut Hex w/insert 5/16 - 18 UNC	44	131288	Rod, Brake, RH
10	72140506	Bolt, RdHd Sqnk 5/16-18 UNC x 3/4	45	STD533717	Bolt, Carriage 3/8-16 x 1-3/4
11	136929	Stripper, Mower, Vented	46	STD560907	Pin, Cotter 3/32 x 3/4
12	110485X	Ball Bearing, Mandrel	47	133551	Rod, Pivot
13	128774	Mandrel Housing, Vented	48	133504	Rod, Clutch, Secondary
14	137645	Shaft and Bearing Assembly (Includes Key Number 15)	49	134666	Rod, Clutch, Primary
15	129895	Ball Bearing	50	STD624003	Retainer, Spring
16	134148	Blade, Mower, Mulching 38"	51	131870	Spring, Return
17	140296	Washer, Hard Blade Mower Vented	52	127498	Bushing
18	STD551137	Washer, Lock, Hvy Hlcl Spring 3/8	53	133573	Arm, Clutch, Primary
19	850857	Bolt, Hex 3/8-24 x 1-1/4 Grade 8	54	127847	Arm, Clutch, Secondary
20	131290	Belt	55	121748X	Washer 25/32 x 1-5/8 x 16 Gauge
21	128772	Runner, RH	56	12000029	Ring, Klip
22	19111216	Washer 11/32 x 3/4 x 16 Gauge	57	128903	Bolt, Shoulder
23	106736X	Shield, Deflector	58	127845	Keeper, Spring
24	106735X	Rod, Hinge	59	128759	Spring
25	137607	Bracket, Mower Deflector	60	133502	Spacer, Retainer
26	105304X	Cap, Sleeve	61	133503	Stiffener, Idler Arm
27	123713X	Spring, Deflector	62	106932X	Knob
28	19111016	Washer 11/32 x 3/4 x 16 Gauge	75	133943	Washer Hardened
29	110452X	Nut, Push	--	130794	Mandrel Assembly (Includes Key Numbers 12-15, 17-19, 31 and 33)
30	138776	Screw, Thdrol Hex Hd	--	138360	Mower Deck, Complete
31	129963	Washer, Spacer			
32	129206	Pulley, Mandrel, Single			
33	137266	Nut, Flangelock 9/16			
34	133840	Idler Arm Assembly			

NOTE: All component dimensions given in U.S. inches
1 inch = 25.4 mm

REPAIR PARTS

12.5 HP 38" TRACTOR - - MODEL NUMBER 917.257620

MOWER LIFT



REPAIR PARTS

12.5 HP 38" TRACTOR - - MODEL NUMBER 917.257620

MOWER LIFT

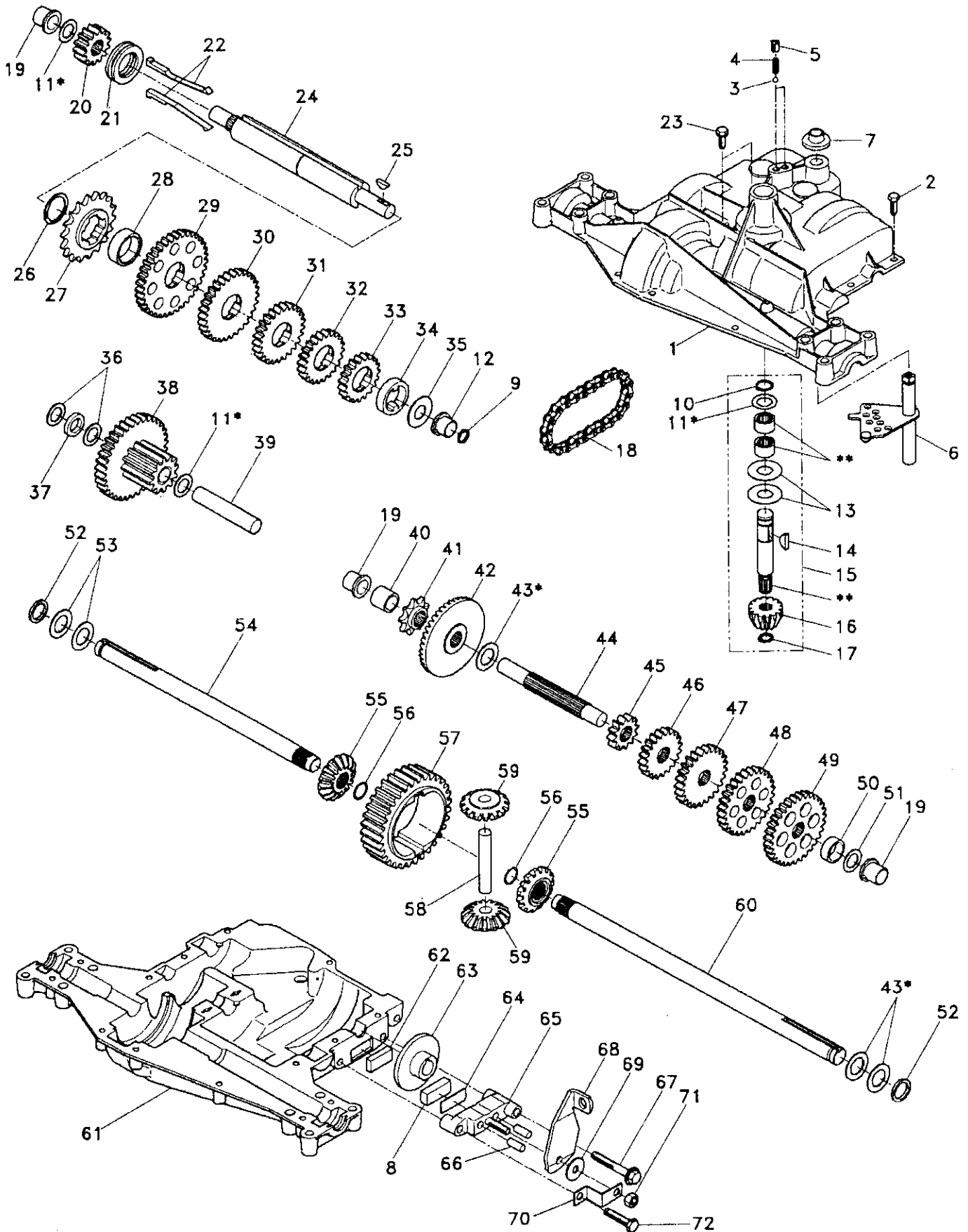
KEY NO.	PART NO.	DESCRIPTION
1	136973	Rod, Asm. Lever
2	122507X	Shaft Asm Lift
3	105767X	Pin Groove
4	12000002	E Ring #5133-62
5	19211621	Washer Pltd 21/32 x 1 x 21 Ga.
6	120183X	Bearing Nylon
7	125631X	Grip Handle Fluted
8	122365X	Button Plunger Red
10	122512X	Spring Cprsn
11	134619	Link Lift Lh Fixed Length
12	135388	Link Lift Rh Fixed Length
13	4939M	Retainer Spring
14	135563	Pin Roll Slit 5/16 x 1.25
15	127218	Link Front
16	73350800	Nut Jam Hex 1/2 - 13 Unc
17	130171	Trunnion Blk Zinc
18	73800800	Nut Lock w/wsh 1/2 - 13 Unc
19	130832	Arm Suspension Rear
20	3146R	Spring Retainer

NOTE: All component dimensions given in U.S. inches
1 inch = 25.4 mm

REPAIR PARTS

12.5 HP 38" TRACTOR - - MODEL NUMBER 917.257620

TRANSAXLE DANA - MODEL NUMBER 4360-47



REPAIR PARTS

12.5 HP 38" TRACTOR - - MODEL NUMBER 917.257620

TRANSAXLE DANA - MODEL NUMBER 4360-47

KEY PART NO. NO.	DESCRIPTION	KEY PART NO. NO.	DESCRIPTION
1 138248	Housing, Upper	40 120472X	Spacer .635 x .875 x .755
2 2274J	Screw, Self-Tapping, Large 1/4-20 x .734	41 105928X	Sprocket 9 Teeth
3 134400	Ball, Detent	42 110084X	Gear, Bevel, 42 Teeth
4 105904X	Spring, Detent	43 134394	* Assembly, Kit, Shim, .750 Shaft
5 105905X	Screw, Set	44 120473X	Shaft, Drive
6 138235	Kit, Shifter Assembly	45 105933X	Gear, Spur, 12 Teeth
7 134399	Boot, Shifter	46 120407X	Gear, Spur, 20 Teeth
8 120951X	Puck, Friction	47 106589X	Gear, Spur, 25 Teeth
9 138241	Square Ring	48 120408X	Gear, Spur, 28 Teeth
10 2267J	Ring, Retaining	49 105937X	Gear, Spur, 31 Teeth
11 134793	* Assembly, Kit, Shim .625 Shaft	50 120523X	Spacer .781 x 1.00 x .375
12 138240	Bearing, Flange	51 2226J	Washer, Plain .632 x 1.00 x .060
13 120415X	Washer, Plain .632 x 1.38 x .046	52 134401	Washer, Neoprene
14 2257J	Key, Woodruff, #9	53 2264J	Washer, Plain .758 x 1.25 x .031
15 138234	Assembly, Kit, Input Shaft	54 120474X	Axle, L.H.
16 110078X	Pinion, Bevel, 14 Teeth	55 110081X	Gear, Miter, 15 Teeth
17 105909X	Ring, Retaining	56 105941X	Ring, Retaining
18 105910X	Chain, 24 Pitches	57 110071X	Gear, Spur, 32 Teeth
19 105911X	Bearing, Flange	58 120952X	Shaft, Cross
20 138242	Gear, Spur, 14 Teeth	59 110082X	Gear, Miter, 15 Teeth
21 138246	Collar, Clutch	60 120475X	Axle, R.H.
22 138236	Assembly, Kit, Clutch Keys	61 138247	Housing, Lower
23 134791	Screw, Self-Tapping, with Sealer	62 120961X	Puck, Friction
24 138243	Shaft, Intermediate	63 7294J	Disc, Brake
25 2244J	Key, Woodruff, #61	64 108989X	Spacer
26 105916X	Ring, Retaining	65 120953X	Jaw, Brake
27 120470X	Sprocket, 18 Teeth	66 120954X	Pin, Dowel
28 110070X	Spacer	67 134799	Screw, Self-Tapping 5/16-18 x 2.25
29 108977X	Gear, Spur, 37 Teeth	68 138244	Lever, Actuating
30 120405X	Gear, Spur, 30 Teeth	69 108996X	Washer, Plain .321 x 1.00 x .055
31 108980X	Gear, Spur, 25 Teeth	70 120956X	Bracket, Anti-Rotation
32 120406X	Gear, Spur, 22 Teeth	71 73810500	Locknut 5/16-24
33 134796	Gear, Spur, 19 Teeth	72 106596X	Screw, Self-Tapping 5/16-18 x 1.44
34 134797	Spacer 1.133 x 1.50 x .375	73 120416X	Grease
35 105925X	Washer, Plain .640 x 1.37 x .061		
36 2232J	Washer, Plain .632 x 1.00 x .026		
37 108978X	Spacer .630 x 1.00 x .169		
38 110079X	Assembly, Gear, Combination of 12 Teeth and 35 Teeth		
39 124639X	Shaft, Idler		

* Use in combinations to maintain proper clearances

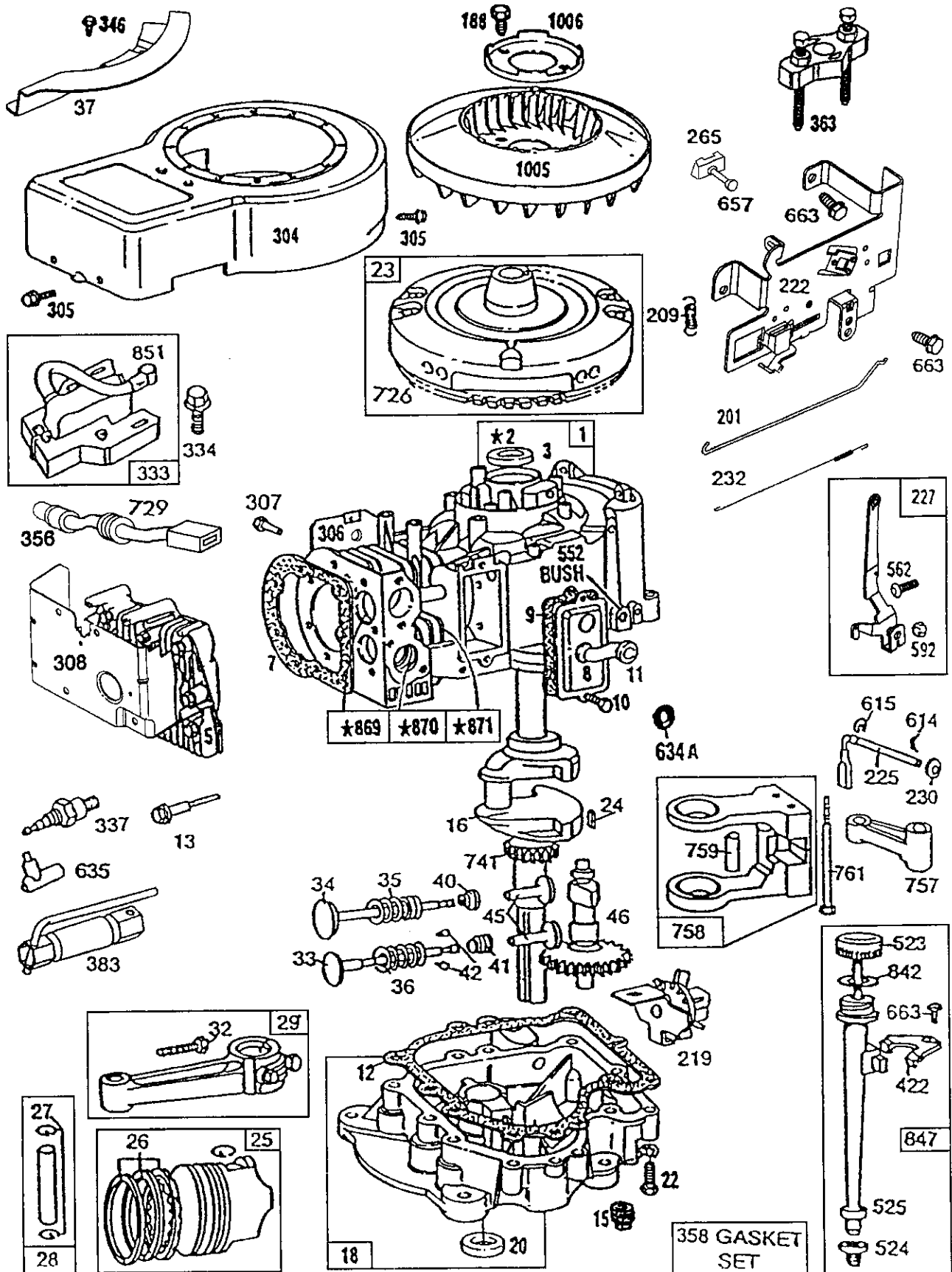
** Order Key Number 15

NOTE: All component dimensions given in U.S. inches
1 inch = 25.4 mm

REPAIR PARTS

12.5 HP 38" TRACTOR - - MODEL NUMBER 917.257620

BRIGGS & STRATTON ENGINE - MODEL NO. 289707, TYPE NO. 0130-01

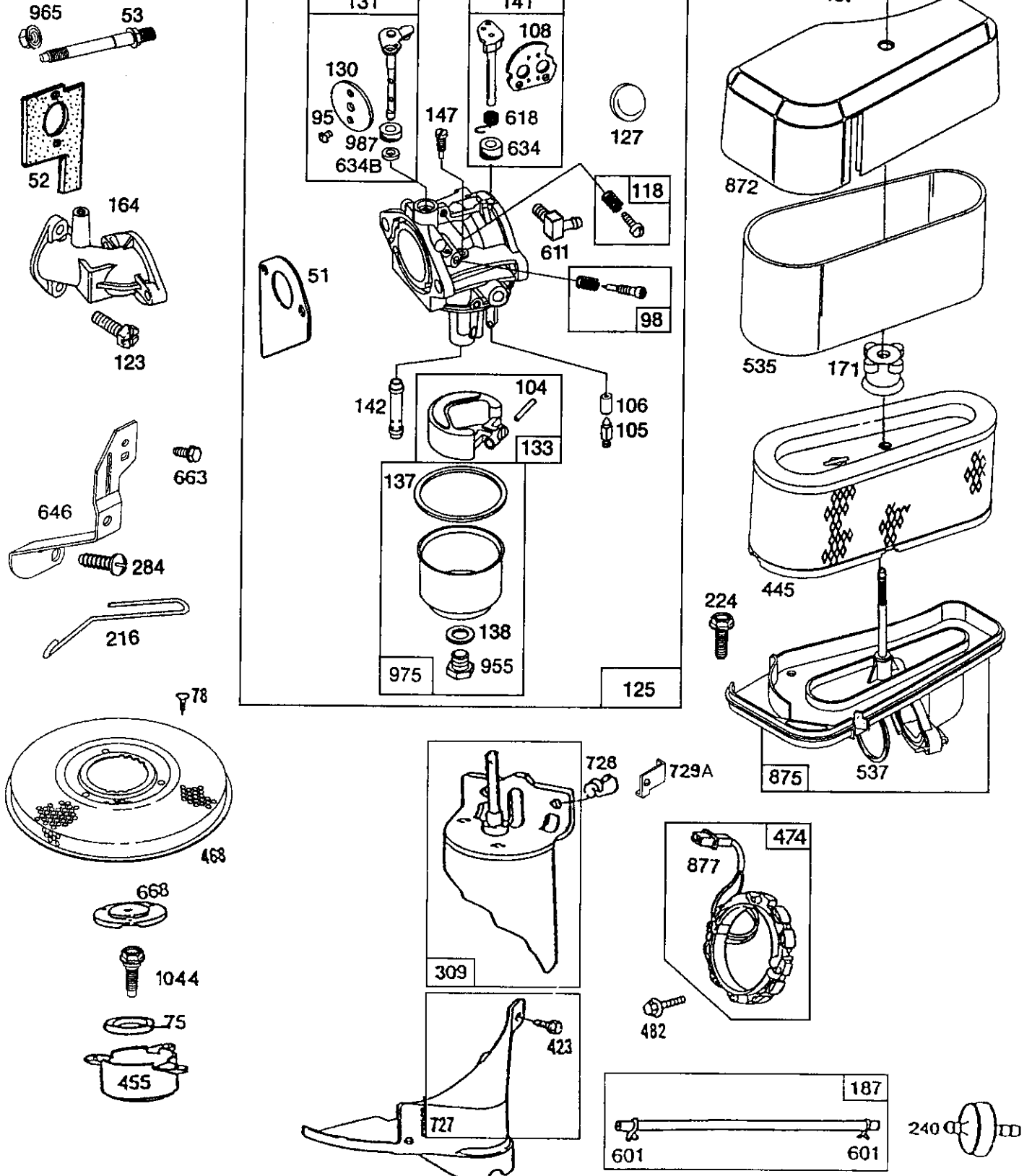


REPAIR PARTS

12.5 HP 38" TRACTOR - - MODEL NUMBER 917.257620

BRIGGS & STRATTON ENGINE - MODEL NO. 289707, TYPE NO. 0130-01

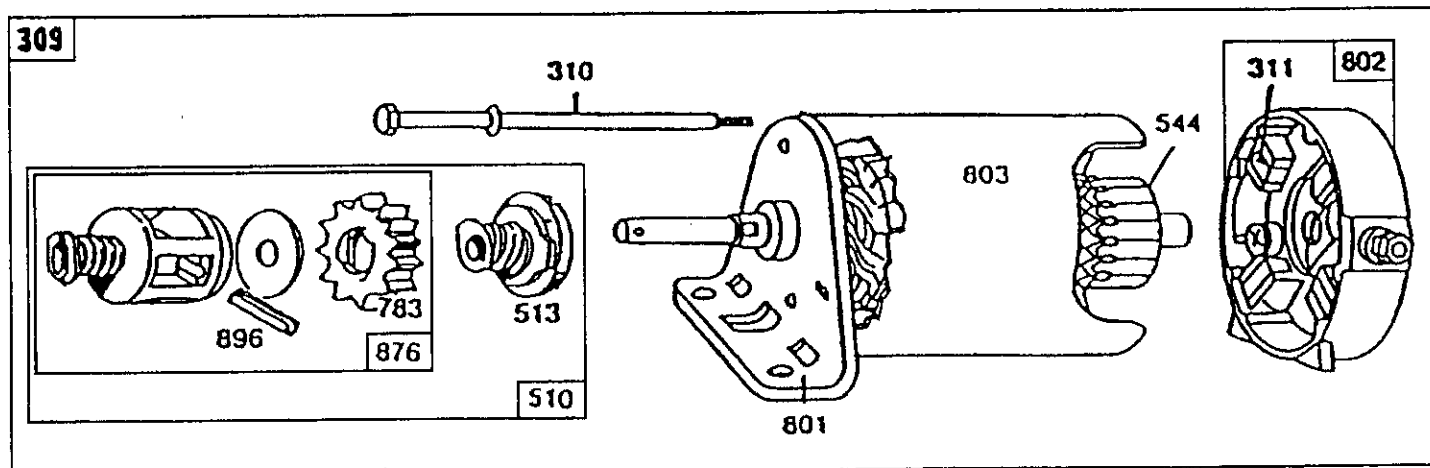
121 CARBURETOR OVERHAUL KIT



REPAIR PARTS

12.5 HP 38" TRACTOR - - MODEL NUMBER 917.257620

BRIGGS & STRATTON ENGINE - MODEL NO. 289707, TYPE NO. 0130-01



Reference Number		309	310	311	510	544	801	802	803
Manufacturer		Motor and Drive Ass'y.	Thru Bolt Assembly	Brush Assembly	Drive Assembly	Armature Assembly	Drive End Cap Assembly	End Cap Ass'y. Commutator	Housing Assembly
Briggs & Stratton	Housing Length								
12V	3-21/32"	394805	94003	395538	490421**	390837	394856	395537*	398159

- *Includes Brush Set
- **Includes #398003 Clutch Assembly (Ref. No. 513)
- #280104 Gear (Ref. No. 783)
- #490467 Retainer and Pin (Ref. No. 876)
- #94288 Roll Pin (Ref. No. 896)

REPAIR PARTS

12.5 HP 38" TRACTOR - - MODEL NUMBER 917.257620

BRIGGS & STRATTON ENGINE - MODEL NO. 289707, TYPE NO. 0130-01

KEY PART NO. NO.	DESCRIPTION	KEY PART NO. NO.	DESCRIPTION
1 490450	Cylinder Assembly	46 212897	Gear, Cam
2 399265	Bearing, Cylinder (Requires Special Tools For Installation)	51 272465	*** Gasket, Carburetor (Carburetor to Elbow)
3 391086	* Seal, Oil	52 272554	* Gasket, Carburetor
5 494240	Head, Cylinder	53 94637	Stud, Carburetor Mounting
7 271866	* Gasket, Cylinder Head	75 224061	Washer, Spring
8 391406	Breather Assembly	78 93805	Screw, Sems
9 27803	* Gasket, Valve Cover	95 94098	** Screw, Throttle
10 94621	Screw, Sems	98 495800	Screw, Idle Speed
11 280100	Tube, Breather	104 231789	** Pin, Float Hinge
12 271916	* Gasket, Crankcase Cover 1/64"	105 231855	** Valve Assembly, Inlet Needle
271997	* Gasket, Crankcase Cover .005"	106 231854	Inlet, Valve Seat
271996	* Gasket, Crankcase Cover .009"	108 224540	Valve, Choke
13 94622	Screw, Cylinder Head	118 494383	** Valve, Needle
15 94239	Plug, Oil Drain	121 495799	Carburetor Overhaul Kit
16 495162	Crankshaft	123 94616	Screw, Elbow Mounting
94196	Key, Timing Gear	125 495706	Carburetor Assembly
18 494238	Base, Engine	127 - - -	** Plug, Welch (Sold in Kit Only)
20 291675	* Seal, Oil	130 224539	Valve, Throttle
22 94624	Screw, Sems, Base Mounting	131 494379	Shaft and Lever, Throttle
23 492326	Flywheel and Ring Gear Assembly, Magneto	133 494381	Float, Carburetor
24 222698	Key, Flywheel	137 281165	*** Gasket, Float Bowl
25 394661	Piston Assembly, Standard	138 281164	*** Washer, Float Bowl Screw
394662	Piston Assembly .010" Oversize	141 494380	** Shaft and Lever, Choke
394663	Piston Assembly .020" Oversize	142 494537	** Nozzle / Jet, Carburetor
394664	Piston Assembly .030" Oversize	147 231794	** Pilot, Jet
26 391780	Ring Set, Piston, Standard Size	164 213819	Carburetor, Elbow
392331	Ring Set, Piston, Chrome, Standard	171 281051	Nut, Air Cleaner Mounting
391781	Ring Set, Piston .010" Oversize	187 393815	Line, Fuel
391782	Ring Set, Piston .020" Oversize	188 93535	Screw, Sems
391783	Ring Set, Piston .030" Oversize	201 262767	Link, Governor
27 260924	Lock, Piston Pin	209 260871	Spring, Governor
28 299691	Pin Assembly, Piston, Standard	216 262766	Link, Choke
391286	Pin Assy., Piston .005" Oversize	219 490815	Oil Slinger, Governor Gear and Bracket Assembly
29 490348	Rod Assembly, Connecting	222 494887	Plate, Governor Control
490469	Rod Assembly, Connecting, .020" Undersize Crankpin Bore	224 94513	Screw, Sems, Air Cleaner
32 94671	Screw, Connecting Rod	225 231058	Crank, Governor
33 262246	Valve, Exhaust		
34 262247	Valve, Intake	* Included in Gasket Set (494241)	
35 65906	Spring, Intake Valve	** Included in Carburetor Overhaul Kit (495799)	
36 26828	Spring, Exhaust Valve	*** Included in both Carburetor Overhaul Kit (495799) and Carburetor Gasket Set (494385)	
37 224502	Guard, Flywheel		
40 221596	Retainer, Intake Valve		
41 292260	Rotocoil, Exhaust Valve		
42 93630	Retainer, Exhaust Valve Rotocoil		
45 262248	Tappet, Valve		

NOTE: All component dimensions given in U.S. inches
1 inch = 25.4 mm

REPAIR PARTS

12.5 HP 38" TRACTOR - - MODEL NUMBER 917.257620

BRIGGS & STRATTON ENGINE - MODEL NO. 289707, TYPE NO. 0130-01

KEY PART NO. NO.	DESCRIPTION	KEY PART NO. NO.	DESCRIPTION
227 493935	Lever Assembly, Governor	635 66538	Elbow, Spark Plug
230 94742	Washer, Governor Crank	646 224546	Brace, Air Cleaner
232 262785	Spring, Governor Link	657 93496	Screw, Sems
240 394358	Filter, Fuel	663 94620	Screw, Hex Head
265 221535	Clamp, Casing	668 280848	Spacer
284 94326	Screw, Air Cleaner	726 392134	Gear, Ring (Includes Mounting Parts)
304 494269	Housing, Blower	727 490324	Cover, Starter (Includes Mounting Screws)
305 94619	Screw, Sems, Blower Housing Mounting	728 94627	Screw, Sems
306 224545	Shield, Cylinder	729 281159	Clip, Lead Wire
307 94623	Screw, Sems, Cylinder Shield Mounting	729A 224723	Retainer Wire
308 491490	Cover, Cylinder Head	741 262135	Gear, Timing
309 - - -	Motor, Starting (See Chart on Illustrated Pages for Replacement Parts for Starting Motors)	757 212359	Link, Counterweight
333 492341	Armature, Magneto	758 399891	Counterweight Assembly
334 93381	Screw, Sems, Armature Mounting	759 298909	Pin, Counterweight
337 802592	Plug, Spark	761 93875	Screw, Counterweight
346 93705	Screw, Hex Head	842 270920	Seal, Oil Filler Cap
356 494328	Wire, Ground	847 490474	Fill Group, Oil
358 494241	Gasket Set	851 221798	Terminal, Ignition Cable
363 19203	Puller, Flywheel	869 261463	Seat, Intake Valve, Standard
383 89838	Wrench, Spark Plug	870 213316	Seat, Exhaust Valve, Standard
422 223721	Clamp, Oil Filler Tube	871 261961	Guide, Exhaust Valve
423 94073	Screw, Sems	231218	Guide, Intake Valve
445 493909	Cartridge, Air Cleaner	872 281104	Cover, Air Cleaner
455 222561	Cup, Screen Mounting	875 494237	Body, Air Cleaner
467 493903	Knob, Air Cleaner	877 393456	Diode and Connector Assembly, Dual Circuit
468 222562	Screen, Flush Rotating	955 94642	** Screw, Fuel Bowl
474 393474	Stator, Alternator	965 94108	Locknut, Air Cleaner Mounting
482 93621	Screw, Sems	975 494378	Bowl Assembly, Carburetor
523 490327	Cap and Dipstick, Oil Filler	977 494385	Carburetor Gasket Kit
524 68838	Seal, Filler Tube	987 281166	** Seal, Throttle Shaft
525 280741	Tube, Oil Filler	1005 280687	Fan, Flywheel
535 272403	Element, Air Cleaner	1006 224413	Retainer, Fan
537 281106	* O-Ring, Air Cleaner	1019 491255	Label Kit
552 231597	Bushing, Governor Crank	1044 94673	Screw, Hex Head
562 92613	Bolt, Governor Lever		
592 231082	Nut, Hex		
601 93053	Clamp, Fuel Pipe		
611 494451	Fuel Inlet Tube		
614 93306	Cotter, Hair Pin		
615 93307	Retainer, E-Ring		
618 262803	Spring, Choke Return		
634 281168	** Seal, Choke Shaft		
634A 491323	* Seal, Governor		
634B 281167	** Washer, Throttle Shaft		

RPM Settings: Low: 1550-1950, High: 3200-3400

- * Included in Gasket Set (494241)
- ** Included in Carburetor Overhaul Kit (495799)
- *** Included in both Carburetor Overhaul Kit (495799) and Carburetor Gasket Set (494385)

NOTE: All component dimensions given in U.S. inches
1 inch = 25.4 mm