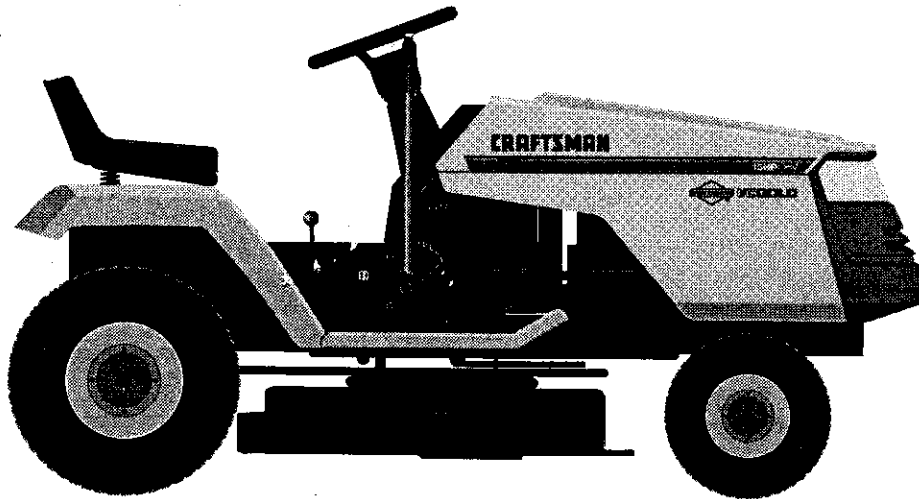


**SEARS**

# **CRAFTSMAN<sup>®</sup>**

**MODEL NUMBER 917.257622 OWNER'S MANUAL**

- **Assembly**
- **Operation**
- **Customer Responsibilities**
- **Service and Adjustments**
- **Repair Parts**



**CAUTION: Read and follow all safety rules and instructions before operating this equipment.**

---

---

---

---

Sears, Roebuck and Co., Hoffman Estates, IL 60179 U.S.A.

**AND THROWING OBJECTS.  
SERIOUS INJURY OR DEATH.**

The operator is not alert to the  
is often attracted to the machine  
assume that children will remain

working area and under the watchful  
of an adult.

Warn off if children enter the area.  
Warn, look behind and down for small

They may fall off and be seriously  
during safe machine operation.  
Do not operate the machine.

Approaching blind corners, shrubs,  
or that may obscure vision.

Gasoline and other fuels. They are  
highly explosive.

Use a covered container.  
Do not use gas cap or add fuel with the engine  
running. Allow engine to cool before refueling. Do not

Do not use machine indoors.  
Do not use machine or fuel container inside where  
there is a flame, such as a water heater.

Do not use inside a closed area.  
Check, especially blade attachment bolts, tight  
and in good condition.

Check safety devices. Check their proper  
function.

Remove grass, leaves, or other debris build-up.  
Prevent spillage. Allow machine to cool before

Do not use the equipment if you strike an object.  
Check safety, before restarting.

Adjustments or repairs with the engine running.  
Components are subject to wear, damage, and  
which could expose moving parts or allow

to be worn. Frequently check components and  
use manufacturer's recommended parts, when nec-

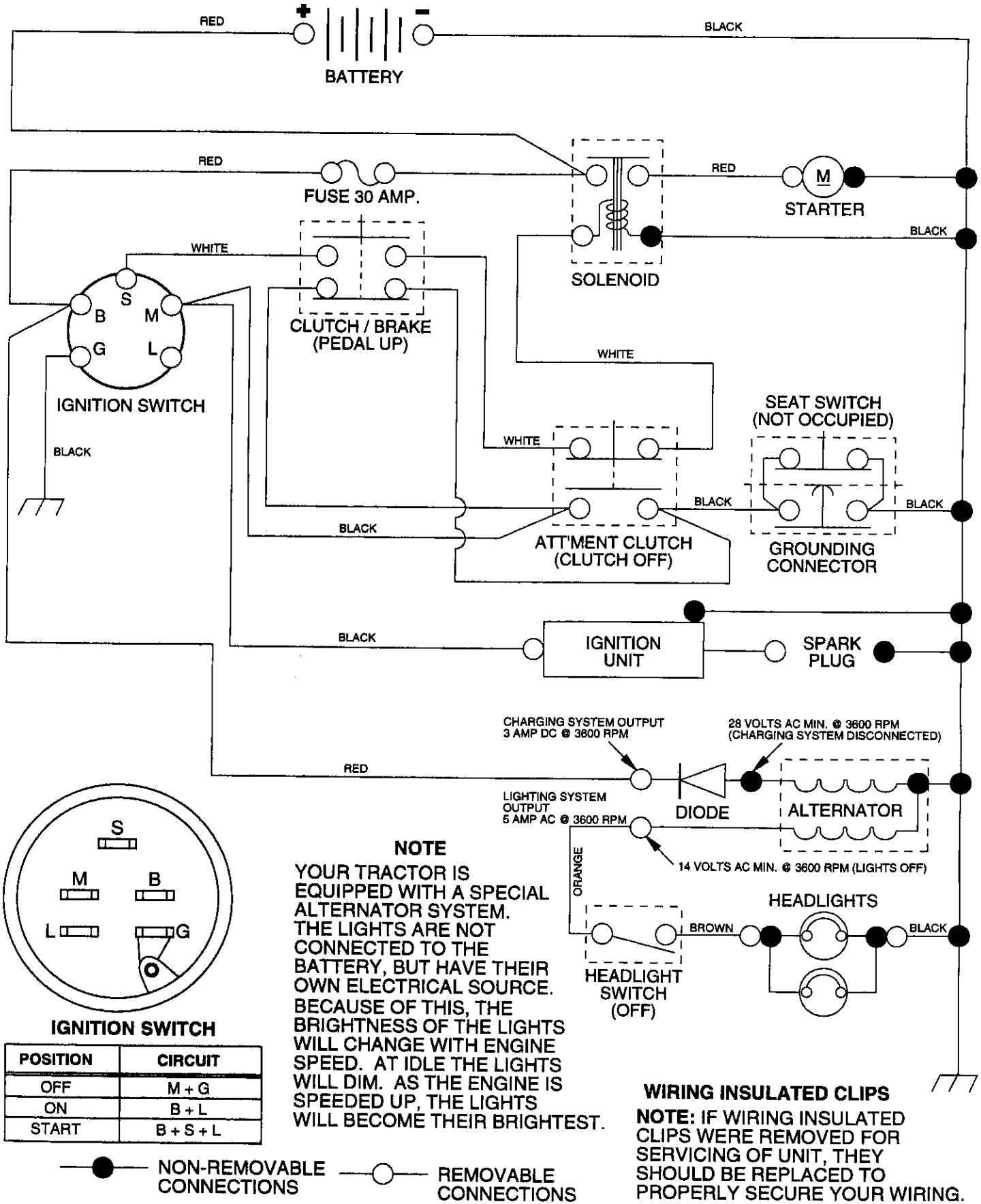
Blades are sharp and can cut. Wrap the blade(s) or  
cover and use extra caution when servicing them.  
Adjust operation frequently. Adjust and service as

**Look for this symbol to point out impor-  
tant safety precautions. It means  
CAUTION!!! BECOME ALERT!!! YOUR  
SAFETY IS INVOLVED.**

**CAUTION: Always disconnect spark  
plug wire and place wire where it cannot  
contact spark plug in order to prevent  
accidental starting when setting up,  
transporting, adjusting or making  
repairs.**

# TRACTOR -- MODEL NUMBER 917.257622

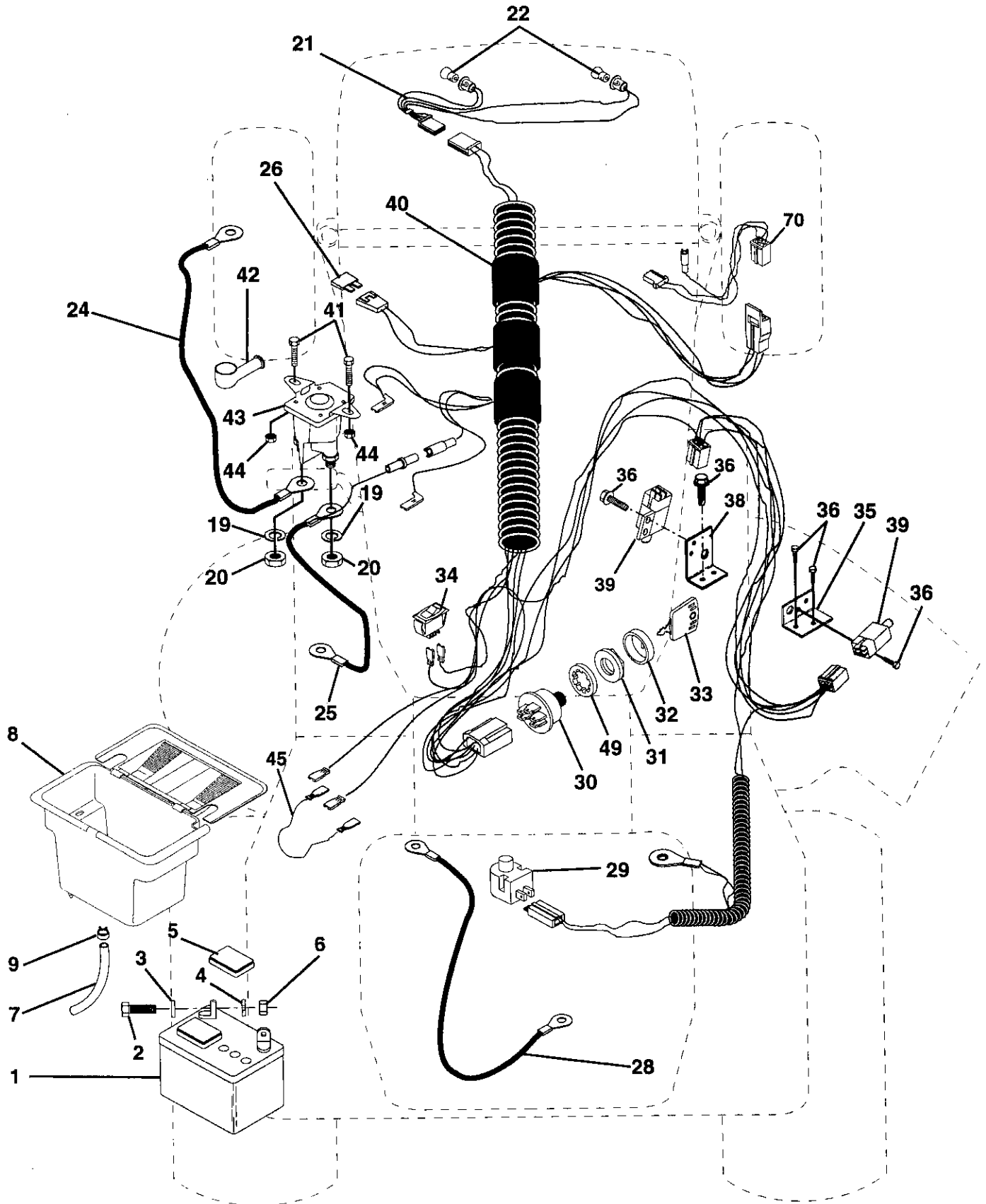
## SCHEMATIC



# REPAIR PARTS

TRACTOR - - MODEL NUMBER 917.257622

## ELECTRICAL



# REPAIR PARTS

## TRACTOR - - MODEL NUMBER 917.257622

### ELECTRICAL

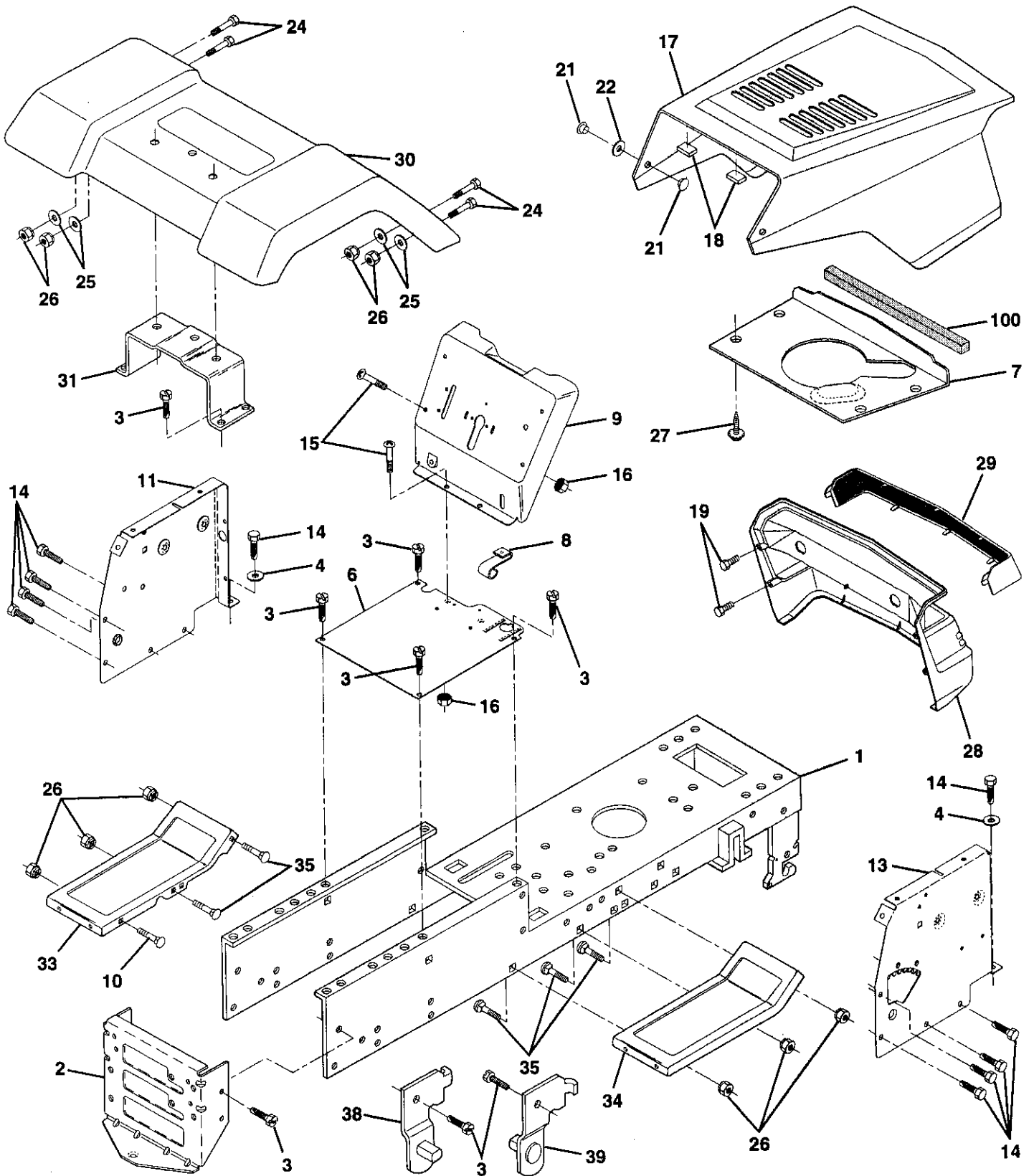
KEY NO.	PART NO.	DESCRIPTION
1	121265X	Battery 12 Volt 25 AMP
2	74760412	Bolt Hex Hd 1/4-20unc X 3/4
3	19091016	Washer 9/32 X 5/8 X 16 Ga
4	10040400	Washer Lock Hvy Helical 1/4
5	121264X	Caps Battery 20/25/30 AMP
6	73220400	Nut Fin Hex 1/4-20 Unc
7	109238X	Tube Plastic 12"
8	129965	Case Battery Hng Mech W/lid
9	109596X	Clamp Hose Olive
19	10090400	Washer Lock 1/4
20	73350400	Nut Jam Hex 1/4-20 Unc
21	136850	Harness Asm Light W/4152j
22	4152J	Bulb Light #1156
24	4799J	Cable Battery 6 Ga 11" red
25	146147	Cable Battery 6 Ga red w/16 Wire
26	108824X	Fuse 30 AMP Auto Green
28	4207J	Cable Ground 6 Ga 12" black
29	121305X	Switch Plunger Nc Gray
30	144921	Switch Ign 3 pos
31	140400	Nut Ignition
32	141226	Cover Sw Key Blk 1 25 Text SLT
33	140403	Key Ign Molded Craftsman
34	110712X	Switch Light Blk Blk Red
35	140336	Bracket Switch Interlock
36	17021008	Screw Tap Hex #10-24unc X 1/2
38	108236X	Bracket Switch Clutch
39	109553X	Switch Intik Clutch Red 4 Term
40	146057	Harness Ign Dash Lt IPC Mch 95
41	71110412	Bolt Blk. Fin Hex 1/4-20 Unc x 3/4
42	145673	Cover Terminal Red
43	145673	Solenoid
44	73800400	Nut Lock w/Insert 1/4-20 Unc
45	140844	Adapter Ammeter Rectangular
49	11151000	Washer Lock Internal Tooth 5/8
70	140413	Harness Engine B&S

**NOTE:** All component dimensions give in U.S. inches  
1 inch = 25.4 mm

# REPAIR PARTS

TRACTOR -- MODEL NUMBER 917.257622

## CHASSIS AND ENCLOSURES



# REPAIR PARTS

## TRACTOR - - MODEL NUMBER 917.257622

### CHASSIS AND ENCLOSURES

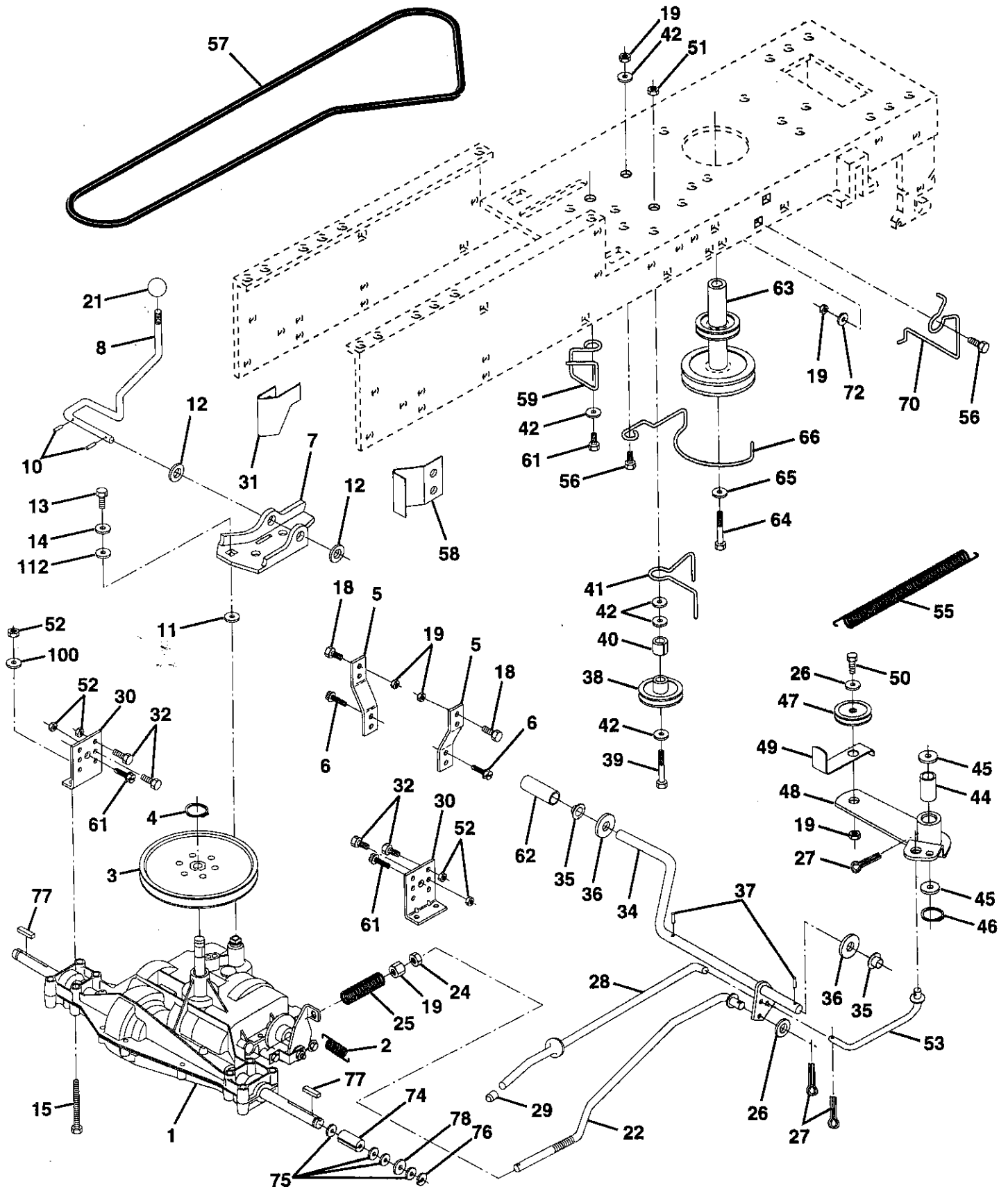
KEY NO.	PART NO.	DESCRIPTION
1	145501	Chassis Weldment 11ga 1995
2	140356	Drawbar Stretch
3	17490612	Screw Thdrol 3/8-16x3/4 Ty-tt
4	STD551025	Washer 13/32 x 3/4 x 16 Ga.
6	145208X015	Saddle Silkscreen Fit Sdl 5Sp D4360
7	124027X	Heat Shield Sloped Hood
8	126471X	Clip Line Fuel 13/32 Mtg Hole
9	140637X013	Dash Silkscreened Sears Eng/Sy
10	STD533710	Bolt, Carriage 3/8-16 x 1
11	135464	Panel Pnt Dash Lh
13	124031X012	Panel Silkscr Dash Rh Weldment
14	17490608	Screw Thdrol 3/8-16x1/2 Ty-tt
15	74180512	Screw Mach Trhd 5/16-18uncx3/4
16	STD541431	Nut Keps 5/16-18 Unc
17	131445X417	Hood Asm Pnt Weld Silver Powde
18	126938X	Bumper Hood
19	17521312	Screw Slted Hex Hd w/Pl Washer
21	122933X	Rivet Ratchet Nylon
22	124479X	Washer Nylon Blk 28x 75x 19
24	STD523710	Bolt Fin Hex 3/8-16unc X 1
25	19131312	Washer 13/16 X 13/16 X 12 Ga
26	STD541437	Nut Lock 3/8-16 Unc
27	17030814	Screw, Hex Head, Spiderlock #8 x 7/8
28	140135	Grille Grey
29	124029X	Lens Headlight Bar Clear
30	109872X417	Fender Pnt
31	136619	Bracket Pnt Fender
33	145244X417	Footrest Pnt Lh Perf (silver)
34	145243X417	Footrest Pnt Rh Perf (silver)
35	STD533707	Bolt Rdhd Sht Sqnk 3/8-16 X3/4
38	139886	Bracket, Asm. Pivot, L.H., Mower Rear
39	139887	Bracket, Asm. Pivot, R.H., Mower Rear
100	105037X	Strip, Foam 18"
--	5479J	Plug Button Blk 359 Dia

**NOTE:** All component dimensions given in U.S. inches  
1 inch = 25.4 mm

# REPAIR PARTS

TRACTOR - - MODEL NUMBER 917.257622

## DRIVE





# REPAIR PARTS

## TRACTOR - - MODEL NUMBER 917.257622

### DRIVE

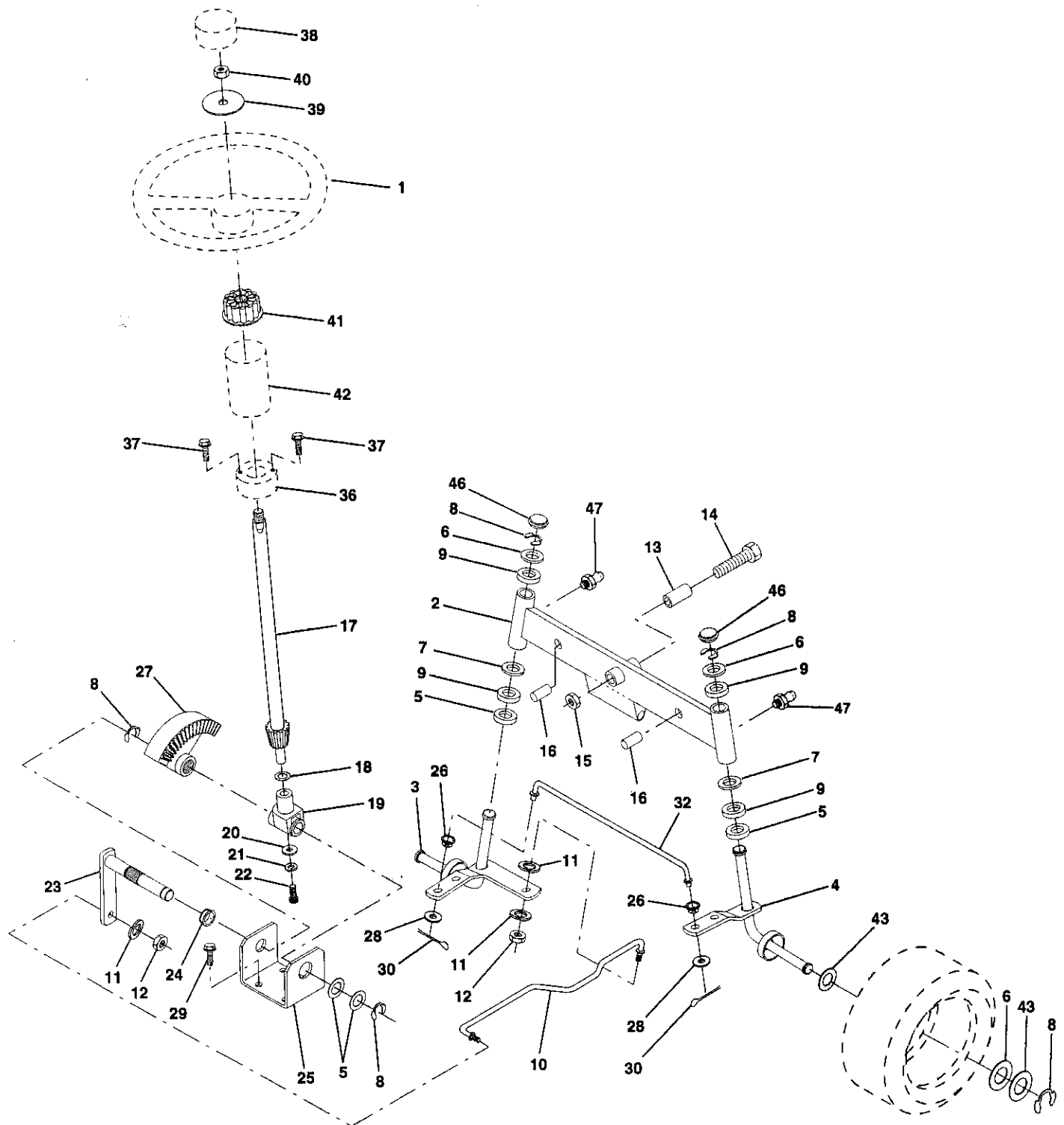
KEY NO.	PART NO.	DESCRIPTION	KEY NO.	PART NO.	DESCRIPTION
1	142602	Transaxle 5sp Std Dana, Model No. 4360-78	41	109070X	Keeper Belt Retainer
2	146682	Spring Return Brake T/a Zinc	42	19131312	Washer 13/32 X 13/16 X 12 Ga
3	123666X	Pulley Transaxle Alum	44	105706X	Bearing Nyl 503 X 628 X 1 25
4	12000028	Ring Retainer # 5100-62	45	110812X	Washer Hardened
5	121520X	Strap Pnt Torque 30 Deg Blk	46	12000039	Ring Klip #t5304-50
6	17490512	Screw Thdrol 5/16-18 X 3/4 Tyt	47	127783	Pulley Idler V Groove Plastic
7	130802	Plate Pnt Rod Shift T/a (blk )	48	123789X	Bellcrank Asm
8	131679	Rod Shifter Blk (dana)	49	123205X	Retainer Belt Style Spring
10	STD561210	Pin Cotter 1/8 X 1 Cad	50	STD523715	Bolt Hex Hd 3/8-16unc X 1-1/2
11	105701X	Washer Plate Shf 388 Sq Hole	51	STD541437	Nut Crownlock 3/8-16 Unc
12	19151216	Washer 15/32 X 3/4 X 16ga	52	STD541431	Nut Lock 5/16-18 Unc
13	74550412	Bolt 1/4-28unf Gr8 w/Patch	53	105710X	Link Clutch 7 66
14	STD551125	Washer Lock Hvy Helical 1/4	55	105709X	Spring Return Clutch 6 75
15	74780544	Bolt Fin Hex 5/16-18unc X 2-3/4	56	STD523712	Bolt Fin Hex 3/8-16unc X 1-1/4
18	STD523710	Bolt Fin Hex 3/8-16unc X 1	57	130801	V-belt Ground Drive 95.25
19	STD541437	Nut Lock 3/8-16 Unc	58	127274X	Keeper Belt Rh Lt Pnt/zinc 16g
21	106933X	Knob Rd 1/2-13 Plstc Thds Blk	59	140312	Retainer Belt Chassis Lh Zinc
22	130804	Rod Brake Lt	60	19131312	Washer 13/32 X 13/16 X 12 Ga
24	STD541237	Nut Hex Jam 3/8-16 Unc	61	17490612	Screw Thdrol 3/8-16x3/4 Ty-tt
25	106888X	Spring Rod Brake 2 00 Zinc	62	8883R	Cover Pedal Blk Std
26	STD551037	Washer 13/32 X 13/16 X 16 Ga	63	140186	Pulley Engine
27	STD561210	Pin Cotter 1/8 X 3/4 Cad	64	71170764	Bolt Finhex 7/16-20 x 4 g5
28	145204	Rod Brake Parking Lt/Yt	65	STD551143	Washer Lock Hvy Hlcl Spr 7/16
29	124236X	Cap Parking Brake Red	66	129921	Keeper Belt Engine Lh Lt
30	130807	Bracket Transmission	70	134683	Guide Belt Dr Mower Rh
31	127275X	Keeper Belt Lh Lt 14 Ga	72	19132012	Washer 13/32 X 1-1/4 X 12 Ga
32	STD523107	Bolt Fin Hex 5/16-18 x 3/4	74	109502X	Spacer Split .80x1.94
34	122424X	Shaft Asm Pedal Foot 1 930	75	121749X	Washer 25/32 X 1 1/4 X 16 Ga
35	120183X	Bearing Nylon Blk 629 Id	76	STD581075	Ring E #5133-75
36	STD551062	Washer 21/32 X 1 X 16 Ga	77	123583X	Key Square 2 0 X 1845/ 1865
37	STD571810	Pin Roll 3/16 X 1"	78	121748X	Washer 25/32 X 1 5/8 X 16ga
38	123674X	Pulley Idler Flat	100	19111216	Washer 11/32 x 3/4 x 16 Ga.
39	STD523727	Bolt Fin Hex 3/8-16unc X 2-3/4	112	19091210	Washer 9/32 X 3/4 X 10 Ga
40	4470J	Spacer Split 395 X 59 Bzp			

**NOTE:** All component dimensions given in U.S. inches  
1 inch = 25.4 mm

# REPAIR PARTS

TRACTOR - - MODEL NUMBER 917.257622

## STEERING ASSEMBLY



# REPAIR PARTS

## TRACTOR - - MODEL NUMBER 917.257622

### STEERING ASSEMBLY

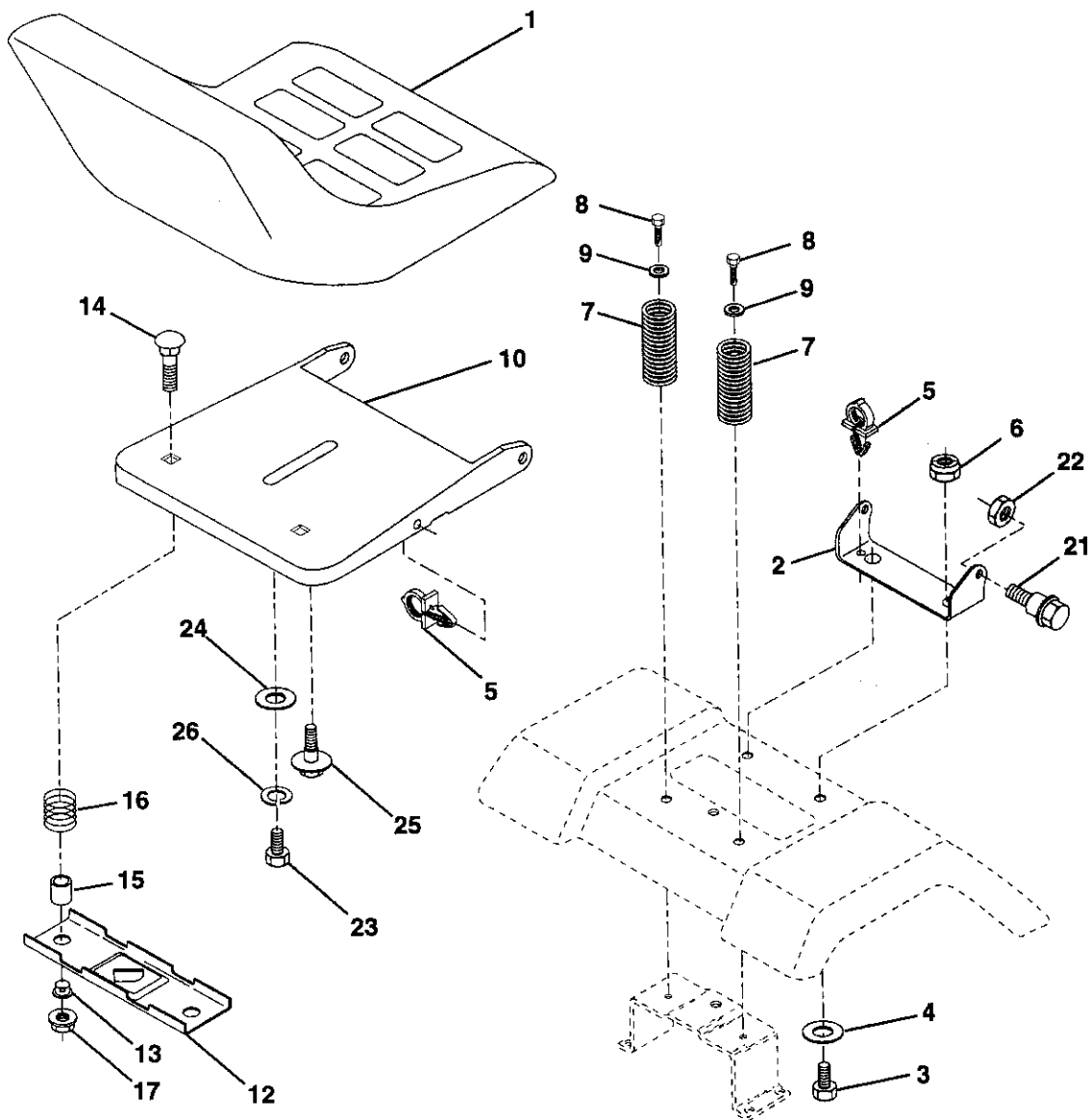
KEY NO.	PART NO.	DESCRIPTION
1	139768	Wheel Steering Std Black
2	142033	Axle Asm Front
3	135227	Spindle Asm Lh
4	135228	Spindle Asm Rh
5	6266H	Bearing Race Thrust Harden
6	121748X	Washer 25/32 X 1 5/8 X 16ga
7	19272016	Washer 27/32 X 1 1/4 X 16 Ga
8	12000029	Ring Klip #t5304-75
9	3366R	Bearing Col Strg Blk
10	130468	Link Drag Sol Ball Jt 20 064
11	STD551137	Washer Lock Hvy Hlcl Spr 3/8
12	73610600	Nut Fin Hex 3/8-24 Unf
13	110438X	Spacer Bearing Axle Front
14	74011056	Bolt Hex 5/8-11 Unc X 3-1/2
15	73901000	Locknut Flange 5/8-11 Unc
16	132624	Pin Axle 5/8 X 1 55/1 54 Lg
17	132614	Shaft Asm Strg 5/8 X 15 19 Lt
18	57079	Washer Thrust 515x 750x 033
19	124035X	Support Shaft
20	126684X	Washer Shim 1/4 X 5/8 X 062
21	STD551125	Washer Lock Hvy Helical 1/4
22	71070410	Screw Hex Socket 1/4-20 X 5/8
23	127501	Shaft Asm Pittman
24	109816X	Nyliner Snap In
25	124036X	Bracket Steering
26	126847X	Bushing Rod Tie Blk Lt
27	136874	Gear Sector
28	19131416	Washer 13/32 X 7/8 X 16ga
29	17490612	Screw Thdrol 3/8-16x3/4 Ty-tt
30	STD561210	Pin Cotter 1/8 X 3/4 Cad
32	130465	Rod Tie Wire Form 19 75 Mech
36	132196	Bushing Strg 5/8 Id Dash
37	STD611005	Screw Slftp #10-16 X 1/2 Ty-b
38	139769	Insert Cap Strg Wheel Std Blk
39	19133808	Washer 13/32 X 2-3/8 X 8 Ga
40	STD541537	Nut Lock Center 3/8-24unf
41	104820X	Adaptor Wheel Strg 640/ 635id
42	124417X	Boot Shaft Steering
43	121749X	Washer 25/32 X 1 1/4 X 16 Ga
46	121232X	Cap Spindle Fr Top Blk
47	6855M	Fitting Grease

**NOTE:** All component dimensions given in U.S. inches  
1 inch = 25.4 mm

# REPAIR PARTS

## TRACTOR - - MODEL NUMBER 917.257622

### SEAT ASSEMBLY



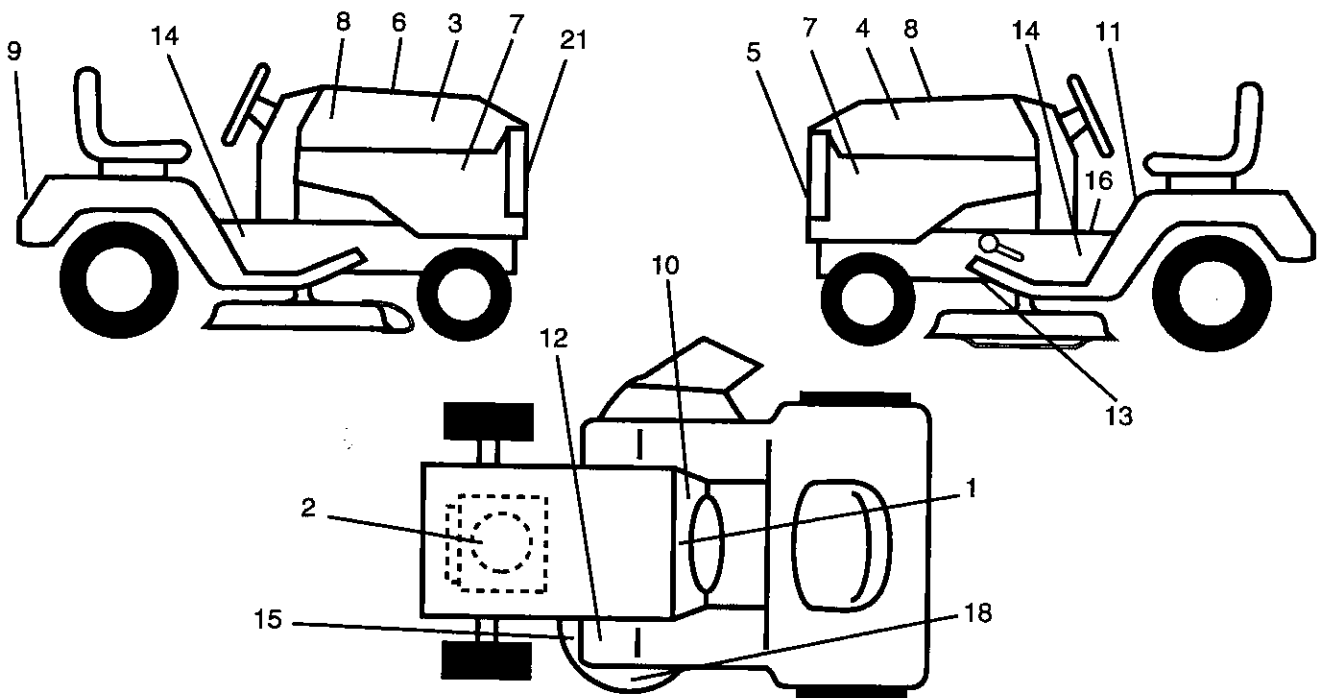
KEY NO.	PART NO.	DESCRIPTION	KEY NO.	PART NO.	DESCRIPTION
1	127437	Seat V350 Blk/blk Craftsman	14	72050411	Bolt Rdhd Sht Nk 1/4-20x1-3/8
2	140551	Bracket Pnt Pivot Seat (blk )	15	134300	Spacer Split 28 X 96 Zinc
3	STD523710	Bolt Fin Hex 3/8-16unc X 1	16	121250X	Spring Cprsn 1 27 Blk Pnt
4	19131610	Washer 13/32 X 3/4 X 10 Ga	17	123976X	Nut Lock 1/4 Lge Flg Gr 5 Zinc
5	145006	Clip Push In Hinged	21	139888	Bolt Shoulder 5/16-18 Unc Blkz
6	STD541437	Nut Crownlock 3/8-16 Unc	22	STD541431	Nut Crown Lock 5/16-18
7	124181X	Spring Seat Cprsn 2 250 Blk Zi	23	74780814	Bolt Fin Hex 1/2-13 X 7/8 Gr 5
8	17490616	Screw Thdrol 3/8-16 X 1 Ty-tt	24	19171912	Washer 17/32 X 1-3/16 X 12 Ga
9	19131614	Washer 13/32 X 1 X 14 Ga	25	127018X	Bolt Shoulder 5/16-18 X 62
10	140552	Pan Pnt Seat (blk )	26	STD551150	Washer Lock Hvy Hlcl Spr 1/2
12	121246X	Bracket Pnt Mounting Switch			
13	121248X	Bushing Snap Blk Nyl 50 Id			

**NOTE:** All component dimensions given in U.S. inches.  
1 inch = 25.4 mm

# REPAIR PARTS

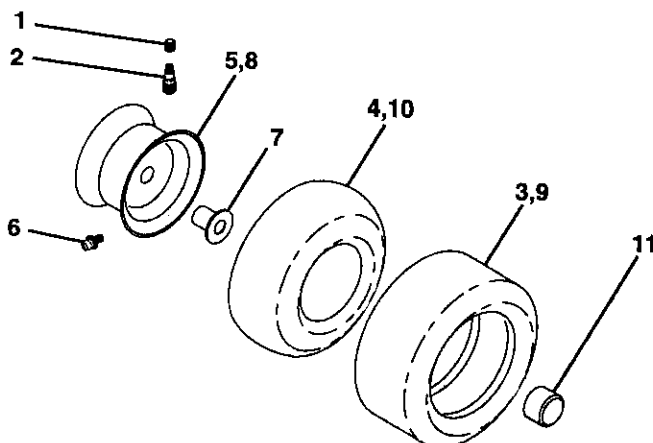
## TRACTOR - - MODEL NUMBER 917.257622

### DECALS



KEY NO.	PART NO.	DESCRIPTION	KEY NO.	PART NO.	DESCRIPTION
1	138955	Decal Instruction Operat Eng	12	4900J	Decal Clutch/brake English
2	272936	Decal Engine 12.5 Hp B&S IC Crafts	13	146046	Decal V-belt Dr Sch Tractor
3	140560	Decal Hood Slope Rh Craftsman	14	105809X	Decal Chassis 5 Sp 38"
4	140561	Decal Hood Slope Lh Craftsman	15	136832	Decal Mower Drive Schematic 38
5	132674	Decal Grille Lt4000 Craft Usa	16	140837	Decal, Brake Parking Saddle
6	133644	Decal Maint Customer Sears Dom	18	133179	Decal Mower Qc System
7	142249	Decal Panel Side l/c Gold/blk	21	131265	Decal Lightbox
8	142252	Decal Insert Hood Blk	--	138311	Decal Lift Handle
9	125880X	Decal Fender Craftsman Red	--	145245	Pad Footrest Rbr Sq Craftsman
10	138836	Decal Dash Slope Lt	--	145247	Fastner Pop In Footrest
11	137537	Decal Caution English/Spanis	--	147226	Manual, Owner's (English)
			--	147227	Manual, Owner's (Spanish)

### WHEELS & TIRES



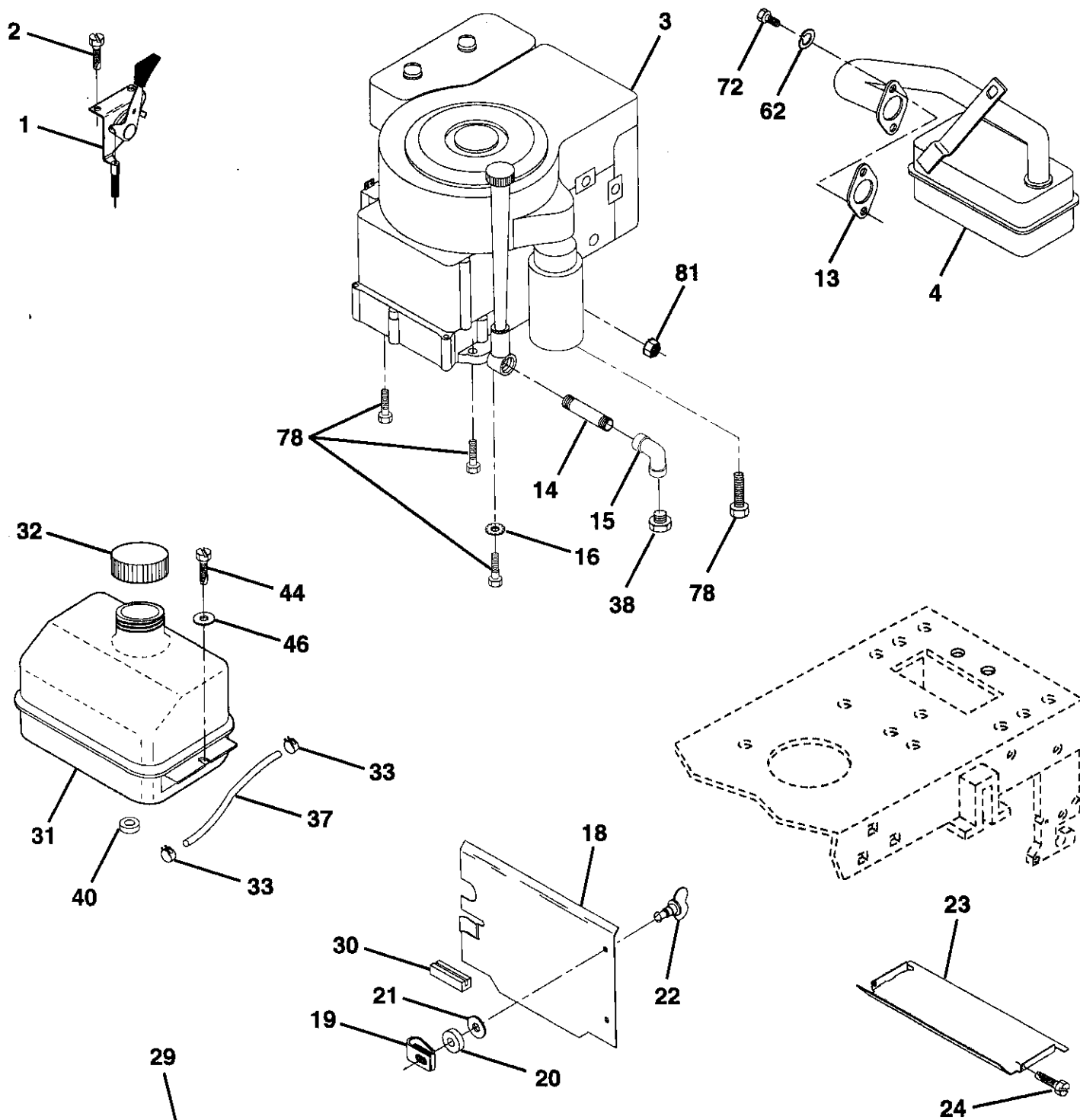
KEY NO.	PART NO.	DESCRIPTION
1	59192	Cap Value Tire
2	65139	Stem Value
3	106222X	Tire F Ts 15 X 6 0 - 6 Service
4	59904	Tube Inner Front #35060
5	106732X417	Rim Asm 6"front Silver Service
6	278H	Fitting Grease
7	9040H	Bearing Flange
8	106108X417	Rim Asm 8"rear Silver Service
9	124635X	Tire R Ts 18x8 5-8 Service
10	7152J	Tube Rear 9 5 X 8 Service
11	104757X	Cap Axle Blk 1 50 X 1 00

**NOTE:** All component dimensions given in U.S. inches.  
1 inch = 25.4 mm

# REPAIR PARTS

TRACTOR -- MODEL NUMBER 917.257622

## ENGINE



**OPTIONAL EQUIPMENT**  
**Spark Arrester**

# REPAIR PARTS

## TRACTOR - - MODEL NUMBER 917.257622

### ENGINE

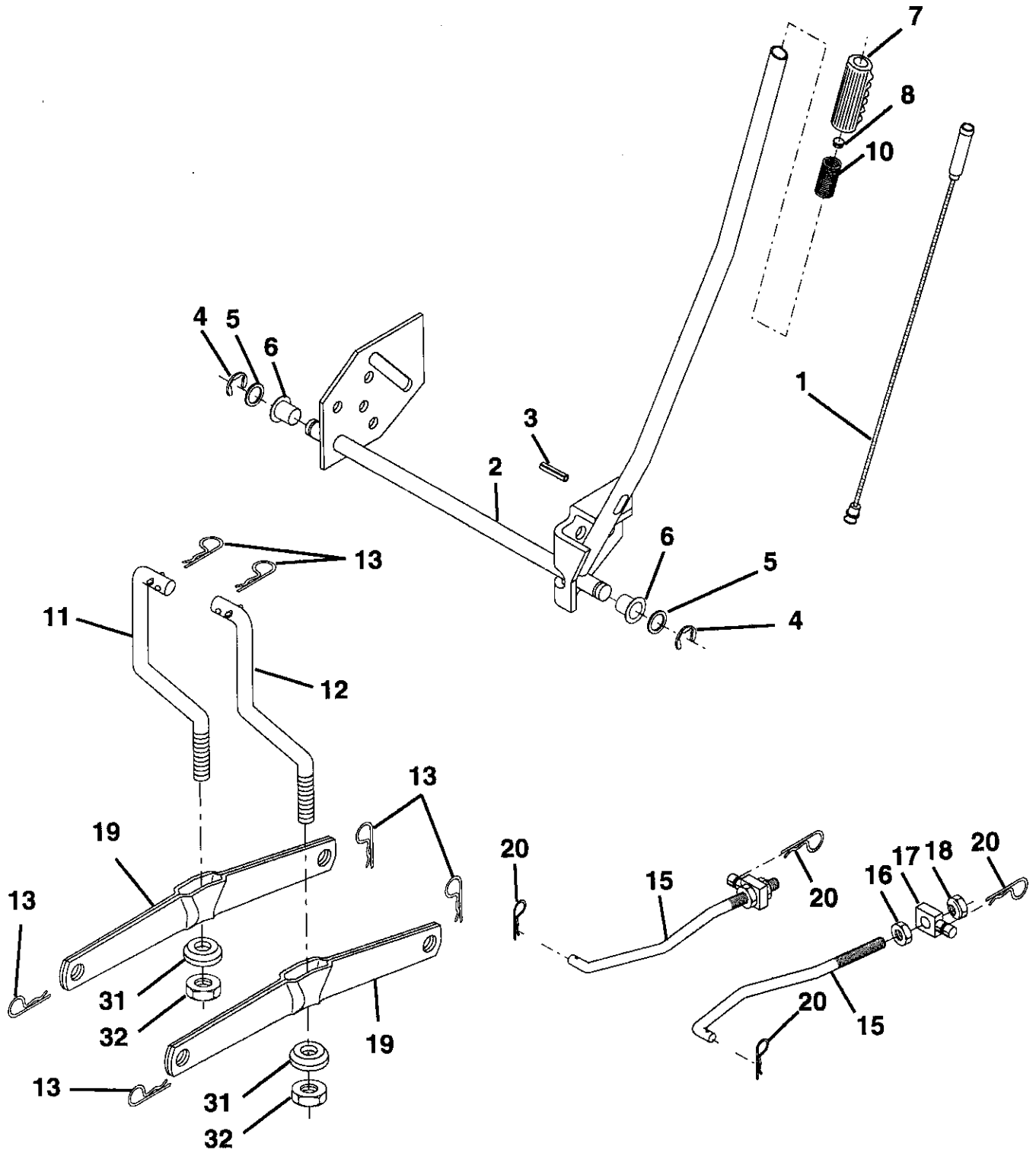
KEY NO.	PART NO.	DESCRIPTION
1	132759	Control Throt Rh Blk Pdl 15 10
2	17720410	Screw Hex Thd Cut 1/4-20x5/8 T
3	137425	Engine B&s ICQ Dual 1 Vt, Model No. 289707, Type No. 0130-01
4	137348	Muffler Exhaust B&s Lt
13	125593X	Gasket 1 313 Id Tin Plated
14	13280324	Nipple Pipe 3/8 Npt X 3"
15	13200300	Elbow Std 90 Degree 3/8-18 Npt
16	STD551237	Washer Lock Ext Tooth 3/8
18	136718	Shield Pnt Heat
19	105839X	Receptacle 1/4 Turn Dacrotized
20	105838X	Retainer 1/4 Turn 365odx 222id
21	STD551025	Washer 9/32 X 5/8 X 16 Ga
22	123650X	Stud 1/4 Turn (replaces 105751
23	128953	Shield Pnt Heat Browning Grass
24	STD601005	Screw Tap Hex #10-24unc X 1/2
29	137180	Arrestor Spark
30	127057X	Pinch Weld Hood Black 2.00
31	109202X	Tank Fuel 1 25 Fr
32	123549X	Cap Asm Fuel W/sym Vented
33	123487X	Clamp Hose Blk
37	137040	Line Fuel 20"
38	- - -	Plug Oil Drain (Order From Engine Manufacturer)
40	124028X	Bushing Snap Nyl Blk Fuel Line
44	17490412	Screw Hexwsh Thdrol 1/4-20x3/4
46	19091416	Washer 9/32 X 7/8 X 16ga
62	STD551131	Washer Lock Hvy Hlcl Spr 5/16
72	71070512	Screw Hexhd Cap 5/16-18x3/4
78	17490620	Screw Thdrol 3/8-16x1-1/4 Tytt
81	73510400	Nut Keps Hex 1/4-20 Unc

**NOTE:** All component dimensions given in U.S. inches  
1 inch = 25.4 mm

# REPAIR PARTS

TRACTOR -- MODEL NUMBER 917.257622

LIFT





# REPAIR PARTS

## TRACTOR - - MODEL NUMBER 917.257622

### LIFT

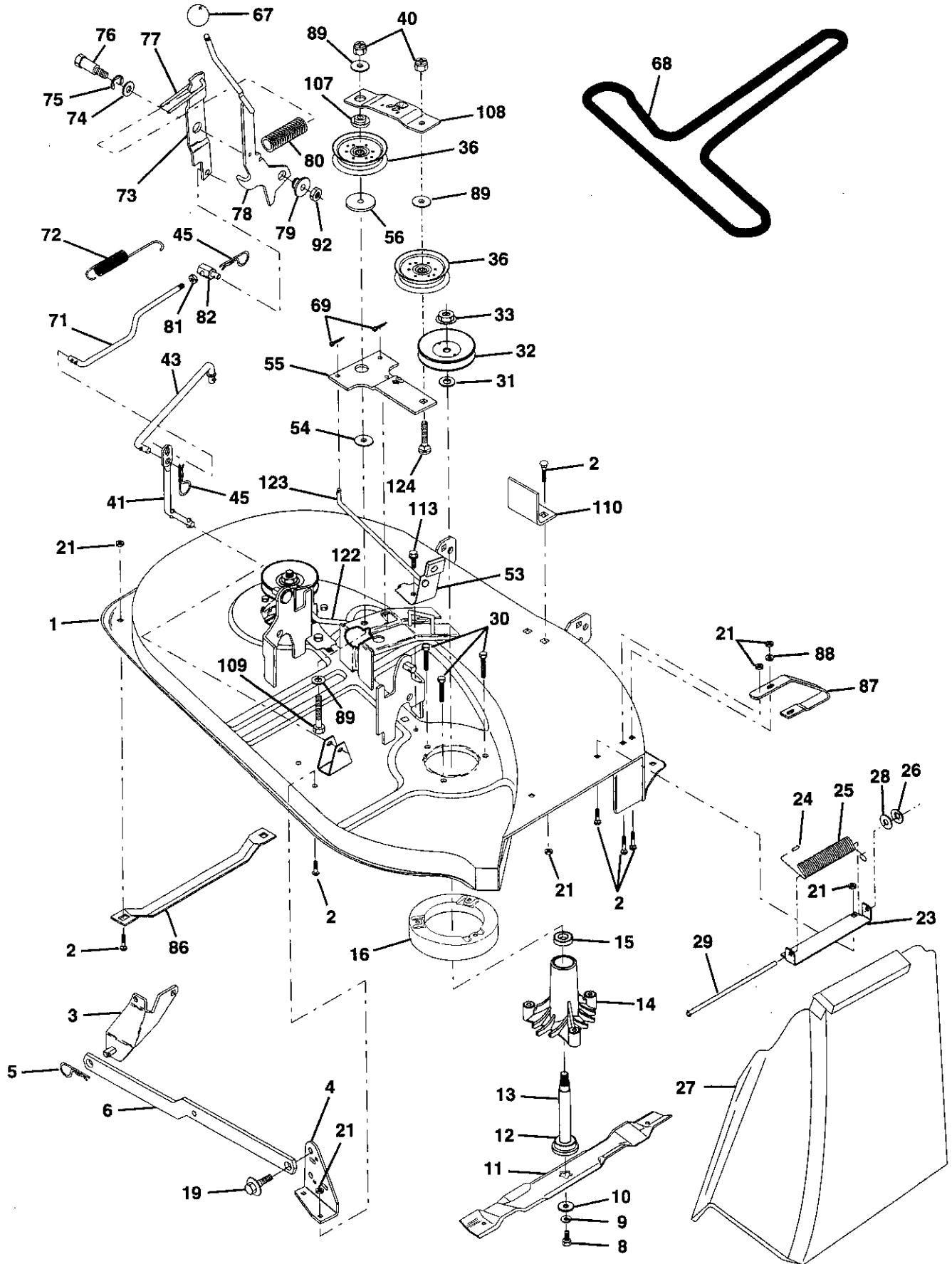
KEY NO.	PART NO.	DESCRIPTION
1	136973	Rod Asm. Lever
2	122507X	Shaft Asm. Lift
3	105767X	Pin Groove
4	12000002	E Ring #5133-62
5	19211621	Washer 21/32 x 1 x 21 Ga.
6	120183X	Bearing Nylon
7	125631X	Grip Handle Fluted
8	122365X	Button Plunger Read
10	122512X	Spring Cprsn
11	139865	Link Lift Lh Fixed Length
12	139866	Link Lift Rh Fixed Length
13	4939M	Retainer Spring
15	127218	Link Front
16	73350800	Nut Jam Hex 1/2-13 Unc
17	130171	Trunnion Blk Zinc
18	73800800	Nut Lock W/Wsh 1/2-13 Unc
19	139868	Arm Suspension Mower
20	3146R	Retainer Spring
31	140302	Bearing, Pvt. Lift. Spherical
32	73540600	Nut Crownlock 3/8-24

**NOTE:** All component dimensions given in U.S. inches  
1 inch = 25.4 mm

# REPAIR PARTS

TRACTOR -- MODEL NUMBER 917.257622

## MOWER



# REPAIR PARTS

## TRACTOR - - MODEL NUMBER 917.257622

### MOWER

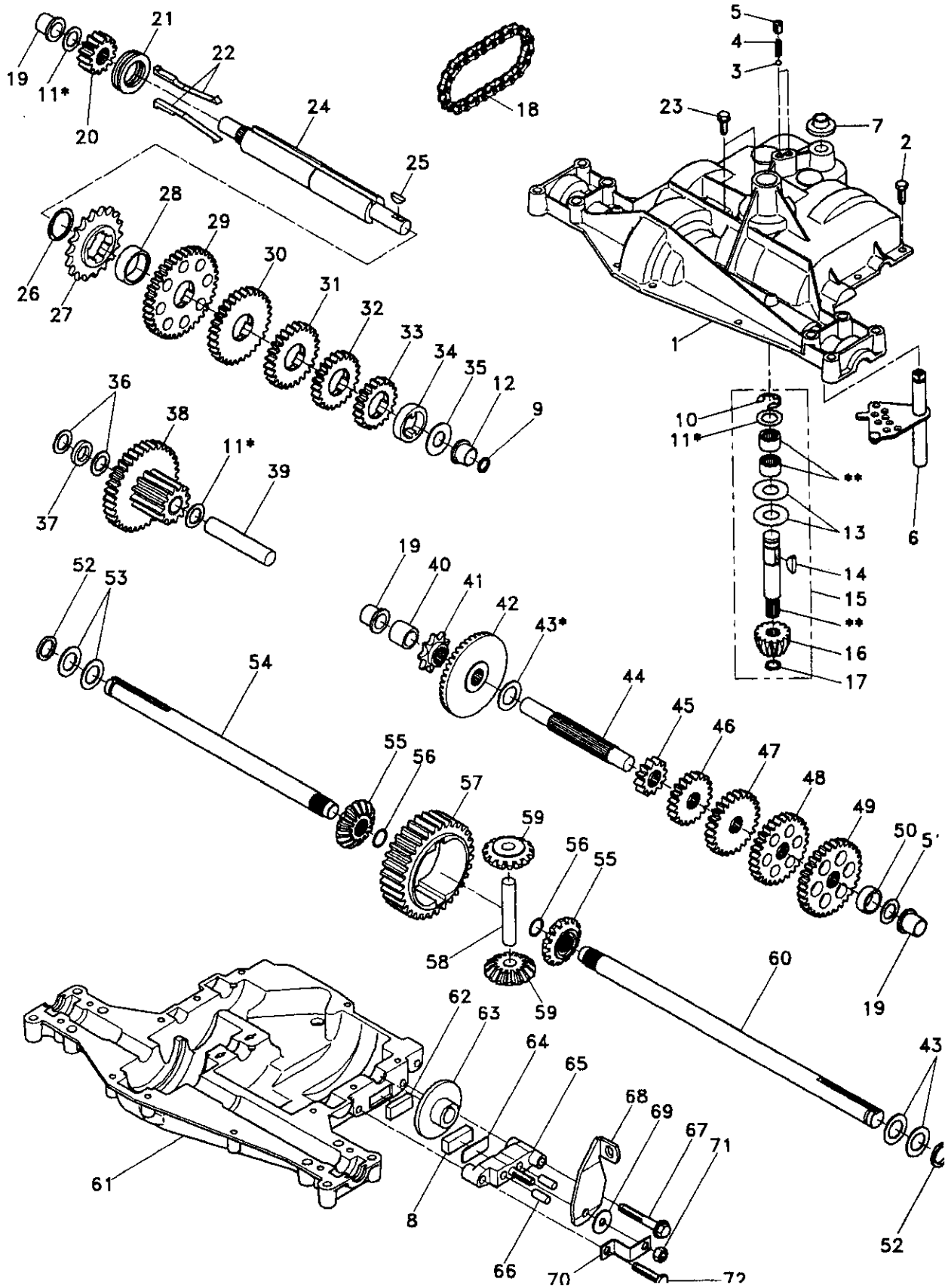
KEY NO.	PART NO.	DESCRIPTION	KEY NO.	PART NO.	DESCRIPTION
1	142829	Mower Housing Assembly	55	133840	Idler Arm Assembly
2	STD533107	Bolt, Carriage 5/16-18 x 3/4	56	122052X	Spacer, Retainer 1-3/4
3	138017	Bracket Asm. Fram Sway Bar 38/42	67	106932X	Knob
4	138440	Bracket, Asm. Deck Sway Bar 38"	68	126520X	Belt
5	4939M	Retainer, Spring	69	STD560907	Pin, Cotter 3/32 x 3/4
6	130832	Asm. Suspension Rear	71	142427	Rod, Clutch, Primary
8	850857	Boit, Hex 3/8-24 x 1-1/4 Grade 8	72	131870	Spring, Return
9	STD551137	Washer, Lock, Hvy Hlcl Spring 3/8	73	127847	Arm, Clutch, Secondary
10	140296	Washer, Hard Blade Mower Vented	74	121748X	Washer 25/32 x 1-5/8 x 16 Gauge
11	134148	Blade, Mower, Mulching 38"	75	12000029	Ring, Klip
12	129895	Ball Bearing	76	128903	Bolt, Shoulder
13	137645	Shaft and Bearing Assembly (Includes Key Number 15)	77	127845	Keeper, Spring
14	128774	Mandrel Housing, Vented	78	140334	Arm, Clutch, Primary
15	110485X	Ball Bearing, Mandrel	79	127498	Bushing
16	140329	Stripper, Mower, Vented	80	128759	Spring
19	132827	Bolt, Shoulder	81	73350600	Nut Hex Jam 3/8-16 UNC
21	STD541431	Nut, Crownlock 5/16-18	82	142028	Trunnion Adj 94
23	137607	Bracket, Mower Deflector	86	7631J	Runner, LH
24	105304X	Cap, Sleeve	87	128772	Runner, RH
25	123713X	Spring, Deflector	88	19111216	Washer 11/32 x 3/4 x 16 Gauge
26	110452X	Nut, Push	89	19131612	Washer 13/32 x 1 x 12 Gauge
27	106736X	Shield, Deflector	92	73800600	Nut Lock Hex w/Ins 3/8-16 UNC
28	19111016	Washer 11/32 x 3/4 x 16 Gauge	107	133502	Spacer, Retainer
29	106735X	Rod, Hinge	108	133503	Stiffener, Idler Arm
30	138776	Screw, Thdrol Hex Hd	109	74760640	Bolt, Hex Head 3/8-16 x 2-1/2
31	129963	Washer, Spacer	110	142587	Upstop Deck Front 38"
32	129206	Pulley, Mandrel, Single	113	17490512	Screw, Hex Head, Thd., Roll. 5/16-18 x 3/4
33	137266	Nut, Flangelock 9/16	122	131289	Rod, Brake, LH
36	131494	Pulley, Idler, Flat	123	131288	Rod, Brake, RH
40	STD541437	Nut, Crownlock 3/8-16	124	STD533717	Bolt, Carriage 3/8-16 x 1-3/4
41	133551	Rod, Pivot	--	130794	Mandrel Assembly (Includes Key Numbers 12-15, 17-19, 31 and 33)
43	133504	Rod, Clutch, Secondary	--	142820	Mower Deck, Complete
45	STD624003	Retainer, Spring			
53	130840	Brake Assembly			
54	133943	Washer Hardened			

**NOTE:** All component dimensions given in U.S. inches  
1 inch = 25.4 mm

# REPAIR PARTS

TRACTOR - MODEL NUMBER 917.257622

DANA TRANSAXLE - MODEL NUMBER 4360-78



# REPAIR PARTS

## TRACTOR - MODEL NUMBER 917.257622

### DANA TRANSAXLE - MODEL NUMBER 4360-78

KEY PART NO.	NO.	DESCRIPTION	KEY PART NO.	NO.	DESCRIPTION
1	142671	Housing, Upper	41	105928X	Sprocket, 9 Teeth
2	2274J	Screw, Self-Tapping, Large 1/4-20 x .734	42	110084X	Gear, Bevel, 42 Teeth
3	134400	Ball, Detent	43	134394	* Assembly, Kit, Shim .750 Shaft
4	105904X	Spring, Detent	44	120473X	Shaft, Drive
5	105905X	Screw, Set	45	142678	Gear, Spur, 12 Teeth
6	138235	Kit, Shifter Assembly	46	120407X	Gear, Spur, 20 Teeth
7	134399	Boot, Shifter	47	106589X	Gear, Spur, 25 Teeth
8	120951X	Puck, Friction	48	120408X	Gear, Spur, 28 Teeth
9	143045	Seal, Oil	49	105937X	Gear, Spur, 31 Teeth
10	142672	Ring, Retaining	50	105936X	Spacer .781 x 1.00 x .375
11	134793	* Assembly, Kit, Shim .625 Shaft	51	2226J	Washer, Plain .632 x 1.00 x .060
12	143051	Bearing, Flange	52	134401	Washer, Neoprene
13	120415X	Washer, Plain .632 x 1.38 x .046	53	2264J	Washer, Plain .758 x 1.25 x .031
14	142674	Key, Woodruff, #9	54	120474X	Axle, L.H.
15	138234	Assembly, Kit, Input Shaft	55	110081X	Gear, Miter, 15 Teeth
16	110078X	Pinion, Bevel, 14 Teeth	56	105941X	Ring, Retaining
17	105909X	Ring, Retaining	57	110071X	Gear, Spur, 32 Teeth
18	105910X	Chain, 24 Pitches	58	120952X	Shaft, Cross
19	105911X	Bearing, Flange	59	110082X	Gear, Miter, 15 Teeth
20	142675	Gear, Spur, 14 Teeth	60	120475X	Axle, R.H.
21	138246	Collar, Clutch	61	142680	Housing, Lower
22	138236	Assembly, Kit, Clutch Keys	62	120961X	Puck, Friction
23	134791	Screw, Tapping w/Sealer	63	7294J	Disc, Brake
24	142676	Shaft, Intermediate	64	108989X	Spacer
25	2244J	Key, Woodruff, #61	65	120953X	Jaw, Brake
26	105916X	Ring, Retaining	66	120954X	Pin, Dowel
27	120470X	Sprocket, 18 Teeth	67	134799	Screw, Self-Tapping, Large 5/16-18 x 2.25
28	110070X	Spacer	68	138244	Lever, Actuating
29	142677	Gear, Spur, 37 Teeth	69	108996X	Washer, Plain .321 x 1.00 x .055
30	120405X	Gear, Spur, 30 Teeth	70	120956X	Bracket, Anti-Rotation
31	108980X	Gear, Spur, 25 Teeth	71	73810500	Locknut 5/16-24
32	120406X	Gear, Spur, 22 Teeth	72	106596X	Screw, Self-Tapping, Large 5/16-18 x 1.44
33	134796	Gear, Spur, 19 Teeth	73	120416X	Grease
34	134797	Spacer 1.133 x 1.50 x .375			
35	105925X	Washer, Plain .640 x 1.37 x .061			
36	2232J	Washer, Plain .632 x 1.00 x .026			
37	108978X	Spacer .630 x 1.00 x .169			
38	110079X	Assembly, Gear, Combination of 12 Teeth and 35 Teeth			
39	124639X	Shaft, Idler			
40	120472X	Spacer .635 x .875 x .755			

\* Use in combinations to maintain proper clearances

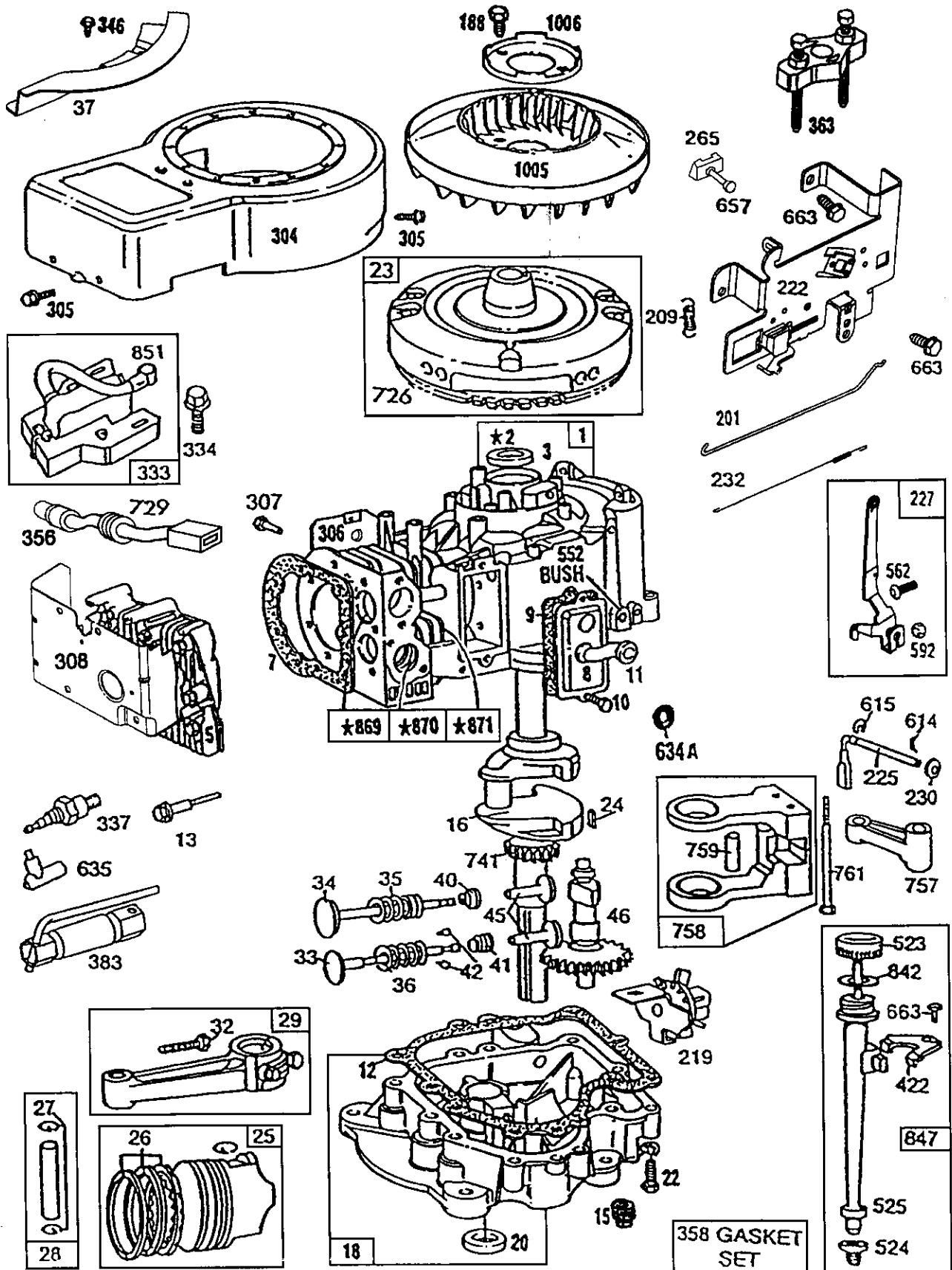
\*\* Order Key No. 15

**NOTE:** All component dimensions given in U.S. inches  
1 inch = 25.4 mm

# REPAIR PARTS

TRACTOR - - MODEL NUMBER 917.257622

BRIGGS & STRATTON ENGINE - MODEL NUMBER 289707, TYPE NUMBER 0130-01

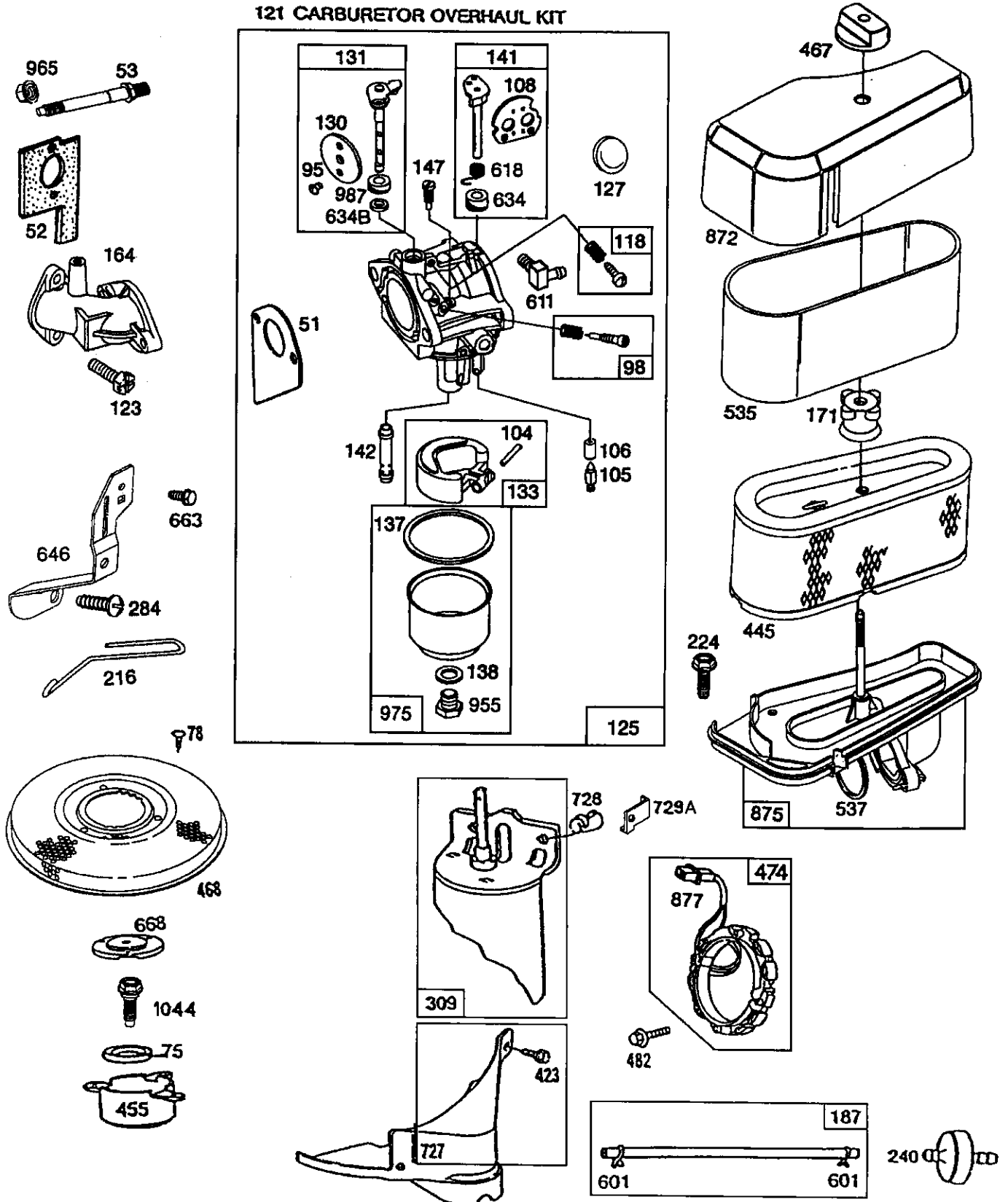


# REPAIR PARTS

TRACTOR - - MODEL NUMBER 917.257622

BRIGGS & STRATTON ENGINE - MODEL NUMBER 289707, TYPE NUMBER 0130-01

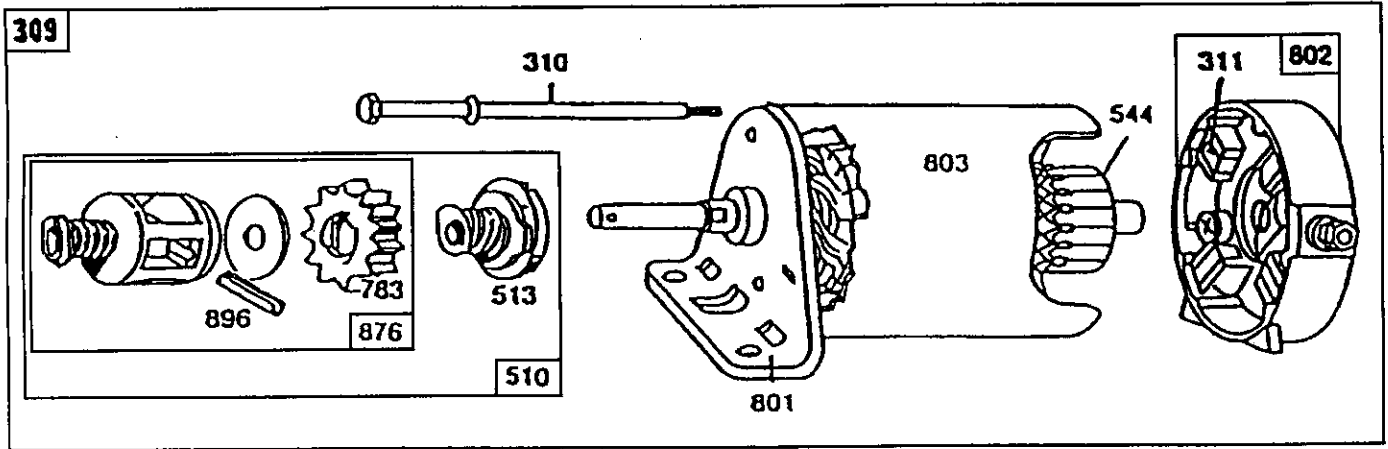
## 121 CARBURETOR OVERHAUL KIT



# REPAIR PARTS

TRACTOR - - MODEL NUMBER 917.257622

BRIGGS & STRATTON ENGINE - MODEL NUMBER 289707, TYPE NUMBER 0130-01



Reference Number	309	310	311	510	544	801	802	803	
Manufacturer	Motor and Drive Ass'y.	Thru Bolt Assembly	Brush Assembly	Drive Assembly	Armature Assembly	Drive End Cap Assembly	End Cap Ass'y. Commutator	Housing Assembly	
Briggs & Stratton									
Housing Length									
12V	3-21/32"	394805	94003	395538	490421**	390837	394856	395537*	398159

\*Includes Brush Set

\*\*Includes #398003 Clutch Assembly (Ref. No. 513)  
 #280104 Gear (Ref. No. 783)  
 #490467 Retainer and Pin (Ref. No. 876)  
 # 94288 Roll Pin (Ref. No. 896)



# REPAIR PARTS

## TRACTOR - - MODEL NUMBER 917.257622

### BRIGGS & STRATTON ENGINE - MODEL NUMBER 289707, TYPE NUMBER 0130-01

KEY PART NO. NO.	DESCRIPTION	KEY PART NO. NO.	DESCRIPTION
1 490450	Cylinder Assembly	46 212897	Gear, Cam
2 399265	Bearing, Cylinder (Requires Special Tools For Installation)	51 272465	*** Gasket, Carburetor (Carburetor to Elbow)
3 391086	* Seal, Oil	52 272554	* Gasket, Carburetor
5 494240	Head, Cylinder	53 94637	Stud, Carburetor Mounting
7 271866	* Gasket, Cylinder Head	75 224061	Washer, Spring
8 391406	Breather Assembly	78 93805	Screw, Sems
9 27803	* Gasket, Valve Cover	95 94098	** Screw, Throttle
10 94621	Screw, Sems	98 495800	Screw, Idle Speed
11 280100	Tube, Breather	104 231789	** Pin, Float Hinge
12 271916	* Gasket, Crankcase Cover 1/64"	105 231855	** Valve Assembly, Inlet Needle
271997	* Gasket, Crankcase Cover .005"	106 231854	Inlet, Valve Seat
271996	* Gasket, Crankcase Cover .009"	108 224540	Valve, Choke
13 94622	Screw, Cylinder Head	118 494383	** Valve, Needle
15 94239	Plug, Oil Drain	121 495799	Carburetor Overhaul Kit
16 495162	Crankshaft	123 94616	Screw, Elbow Mounting
94196	Key, Timing Gear	125 495706	Carburetor Assembly
18 494238	Base, Engine	127 - - -	** Plug, Welch (Soid in Kit Only)
20 291675	* Seal, Oil	130 224539	Valve, Throttle
22 94624	Screw, Sems, Base Mounting	131 494379	Shaft and Lever, Throttle
23 492326	Flywheel and Ring Gear Assembly, Magneto	133 494381	Float, Carburetor
24 222698	Key, Flywheel	137 281165	*** Gasket, Float Bowl
25 394661	Piston Assembly, Standard	138 281164	*** Washer, Float Bowl Screw
394662	Piston Assembly .010" Oversize	141 494380	** Shaft and Lever, Choke
394663	Piston Assembly .020" Oversize	142 494537	** Nozzle / Jet, Carburetor
394664	Piston Assembly .030" Oversize	147 231794	** Pilot, Jet
26 391780	Ring Set, Piston, Standard Size	164 213819	Carburetor, Elbow
392331	Ring Set, Piston, Chrome, Standard	171 281051	Nut, Air Cleaner Mounting
391781	Ring Set, Piston .010" Oversize	187 393815	Line, Fuel
391782	Ring Set, Piston .020" Oversize	188 93535	Screw, Sems
391783	Ring Set, Piston .030" Oversize	201 262767	Link, Governor
27 260924	Lock, Piston Pin	209 260871	Spring, Governor
28 299691	Pin Assembly, Piston, Standard	216 262766	Link, Choke
391286	Pin Assy., Piston .005" Oversize	219 490815	Oil Slinger, Governor Gear and Bracket Assembly
29 490348	Rod Assembly, Connecting	222 494887	Plate, Governor Control
490469	Rod Assembly, Connecting, .020" Undersize Crankpin Bore	224 94513	Screw, Sems, Air Cleaner
32 94671	Screw, Connecting Rod	225 231058	Crank, Governor
33 262246	Valve, Exhaust		
34 262247	Valve, Intake	* Included in Gasket Set (494241)	
35 65906	Spring, Intake Valve	** Included in Carburetor Overhaul Kit (495799)	
36 26828	Spring, Exhaust Valve	*** Included in both Carburetor Overhaul Kit (495799) and Carburetor Gasket Set (494385)	
37 224502	Guard, Flywheel		
40 221596	Retainer, Intake Valve		
41 292260	Rotocoil, Exhaust Valve		
42 93630	Retainer, Exhaust Valve Rotocoil		
45 262248	Tappet, Valve		

**NOTE:** All component dimensions given in U.S. inches  
1 inch = 25.4 mm

# REPAIR PARTS

## TRACTOR - - MODEL NUMBER 917.257622

### BRIGGS & STRATTON ENGINE - MODEL NUMBER 289707, TYPE NUMBER 0130-01

KEY PART NO.	NO.	DESCRIPTION	KEY PART NO.	NO.	DESCRIPTION
227	493935	Lever Assembly, Governor	635	66538	Elbow, Spark Plug
230	94742	Washer, Governor Crank	646	224546	Brace, Air Cleaner
232	262785	Spring, Governor Link	657	93496	Screw, Sems
240	394358	Filter, Fuel	663	94620	Screw, Hex Head
265	221535	Clamp, Casing	668	280848	Spacer
284	94326	Screw, Air Cleaner	726	392134	Gear, Ring
304	494269	Housing, Blower			(Includes Mounting Parts)
305	94619	Screw, Sems, Blower Housing Mounting	727	490324	Cover, Starter
					(Includes Mounting Screws)
306	224545	Shield, Cylinder	728	94627	Screw, Sems
307	94623	Screw, Sems, Cylinder Shield Mounting	729	281159	Clip, Lead Wire
			729A	224723	Retainer Wire
308	491490	Cover, Cylinder Head	741	262135	Gear, Timing
309	---	Motor, Starting (See Chart on Illustrated Pages for Replacement Parts for Starting Motors)	757	212359	Link, Counterweight
			758	399891	Counterweight Assembly
			759	298909	Pin, Counterweight
333	492341	Armature, Magneto	761	93875	Screw, Counterweight
334	93381	Screw, Sems, Armature Mounting	842	270920	Seal, Oil Filler Cap
337	802592	Plug, Spark	847	490474	Fill Group, Oil
346	93705	Screw, Hex Head	851	221798	Terminal, Ignition Cable
356	494328	Wire, Ground	869	261463	Seat, Intake Valve, Standard
358	494241	Gasket Set	870	213316	Seat, Exhaust Valve, Standard
363	19203	Puller, Flywheel	871	261961	Guide, Exhaust Valve
383	89838	Wrench, Spark Plug		231218	Guide, Intake Valve
422	223721	Clamp, Oil Filler Tube	872	281104	Cover, Air Cleaner
423	94073	Screw, Sems	875	494237	Body, Air Cleaner
445	493909	Cartridge, Air Cleaner	877	393456	Diode and Connector Assembly, Dual Circuit
455	222561	Cup, Screen Mounting			** Screw, Fuel Bowl
467	493903	Knob, Air Cleaner	955	94642	Locknut, Air Cleaner Mounting
468	222562	Screen, Flush Rotating	965	94108	Bowl Assembly, Carburetor
474	393474	Stator, Alternator	975	494378	Carburetor Gasket Kit
482	93621	Screw, Sems	977	494385	** Seal, Throttle Shaft
523	490327	Cap and Dipstick, Oil Filler	987	281166	Fan, Flywheel
524	68838	Seal, Filler Tube	1005	280687	Retainer, Fan
525	280741	Tube, Oil Filler	1006	224413	Label Kit
535	272403	Element, Air Cleaner	1019	491255	Screw, Hex Head
537	281106	* O-Ring, Air Cleaner	1044	94673	
552	231597	Bushing, Governor Crank			RPM Settings: Low: 1550-1950, High: 3200-3400
562	92613	Bolt, Governor Lever			* Included in Gasket Set (494241)
592	231082	Nut, Hex			** Included in Carburetor Overhaul Kit (495799)
601	93053	Clamp, Fuel Pipe			*** Included in both Carburetor Overhaul Kit (495799) and Carburetor Gasket Set (494385)
611	494451	Fuel Inlet Tube			
614	93306	Cotter, Hair Pin			
615	93307	Retainer, E-Ring			
618	262803	Spring, Choke Return			
634	281168	** Seal, Choke Shaft			
634A	491323	* Seal, Governor			
634B	281167	** Washer, Throttle Shaft			

**NOTE:** All component dimensions given in U.S. inches  
1 inch = 25.4 mm