

REPAIR PARTS MANUAL
MODEL NO. 917.258210
Lawn Tractor

CRAFTSMAN®

HOW TO USE THIS MANUAL

This manual is designed to provide the customer with a means to identify the parts on his/her tractor when ordering repair parts. The illustrations may or may not represent the actual assemblies; therefore, it is not recommended to use this manual as a guide to assemble or disassemble the tractor. Some hardware and parts are drawn larger in order to more readily identify them.

Each tractor has its own model number.

The model number for your tractor can be found on the fender under the seat.

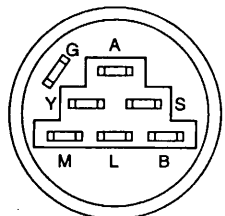
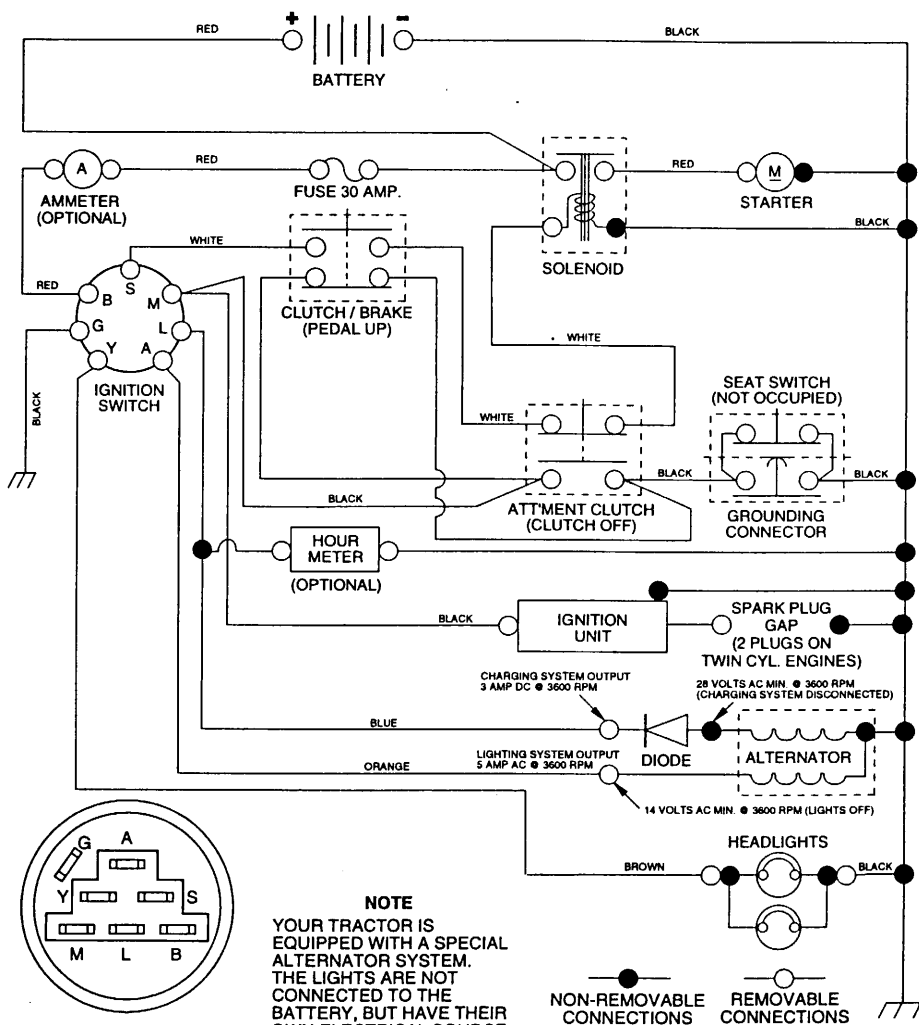
When ordering parts, always give the following information:

- Product - "Tractor"
- Model Number - "258210"
- Part Number
- Part Description

TABLE OF CONTENTS

SCHEMATIC	3
ELECTRICAL.....	4-5
CHASSIS	6-7
DRIVE	8-9
STEERING WHEEL.....	10-11
ENGINE	12-13
SEAT.....	14
DECALS	15
MOWER LIFT LEVER	16-17
MOWER DECK	18-19
TRANSAXLE	20-21

SCHEMATIC



IGNITION SWITCH

POSITION	CIRCUIT	"MAKE"
OFF	G + M + L	NONE
RUN/LIGHT	B + L	A + Y
RUN	B + L	NONE
START	B + L + S	NONE

NOTE
 YOUR TRACTOR IS EQUIPPED WITH A SPECIAL ALTERNATOR SYSTEM. THE LIGHTS ARE NOT CONNECTED TO THE BATTERY, BUT HAVE THEIR OWN ELECTRICAL SOURCE. BECAUSE OF THIS, THE BRIGHTNESS OF THE LIGHTS WILL CHANGE WITH ENGINE SPEED. AT IDLE THE LIGHTS WILL DIM. AS THE ENGINE IS SPEEDED UP, THE LIGHTS WILL BECOME THEIR BRIGHTEST.

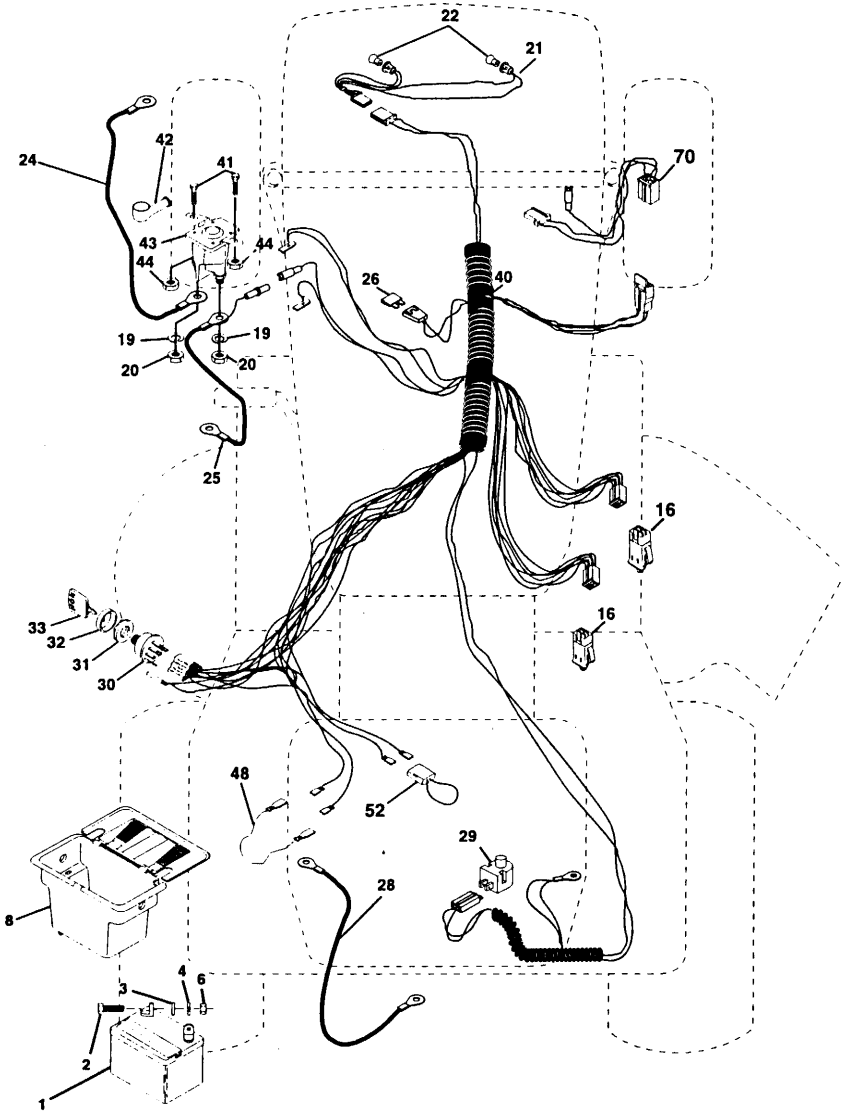
● NON-REMOVABLE CONNECTIONS
 ○ REMOVABLE CONNECTIONS

WIRING INSULATED CLIPS
NOTE: IF WIRING INSULATED CLIPS WERE REMOVED FOR SERVICING OF UNIT, THEY SHOULD BE REPLACED TO PROPERLY SECURE YOUR WIRING.

REPAIR PARTS

TRACTOR - - MODEL NUMBER 917.258210

ELECTRICAL



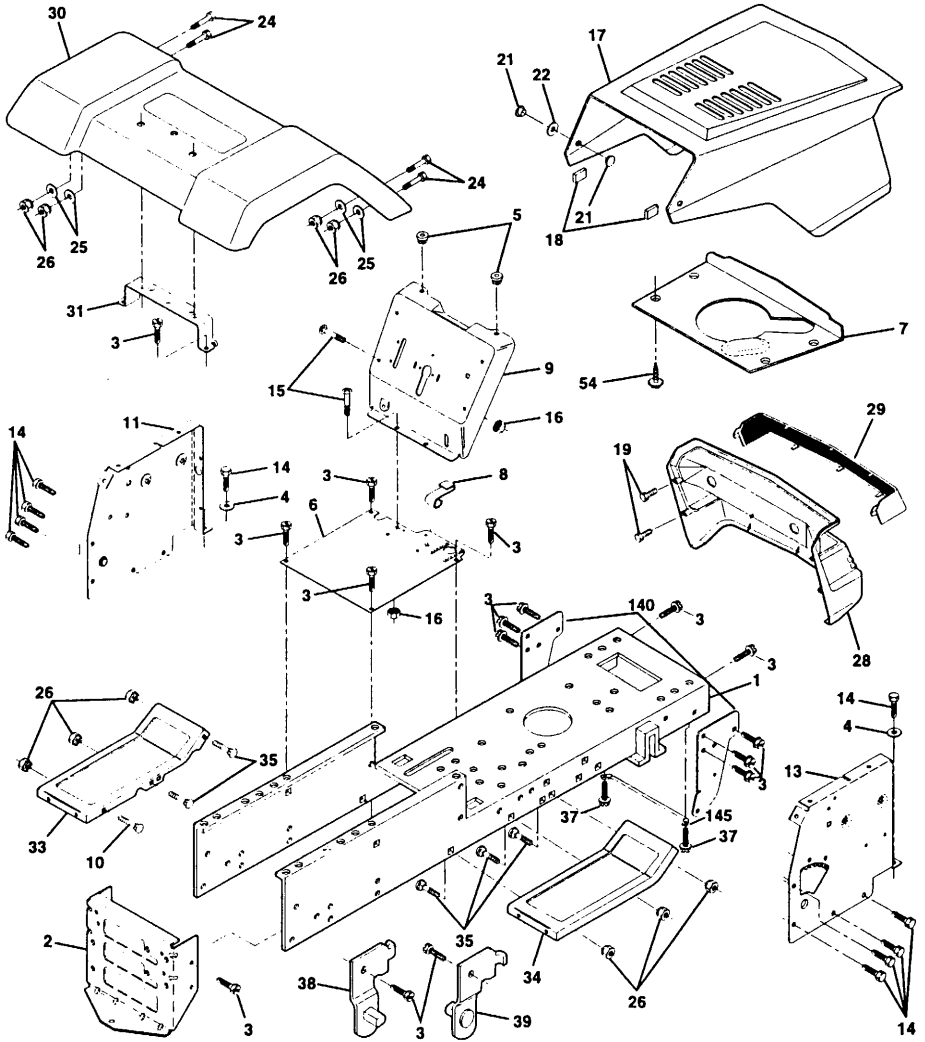
ELECTRICAL

KEY NO.	PART NO.	DESCRIPTION
1	144925	Battery 12 Volt 25 AMP
2	74760412	Bolt Hex Hd 1/4-20unc X 3/4
3	STD551025	Washer 9/32 X 5/8 X 16 Ga
4	STD551125	Washer Lock Hvy Helical 1/4
6	STD541025	Nut Fin Hex 1/4-20 Unc
8	156417	Case Battery
16	153664	Switch Interlock Push-In
19	STD551125	Washer Lock 1/4
20	73350400	Nut Jam Hex 1/4-20 Unc
21	136850	Harness Socket Light W/4152J
22	4152J	Bulb Light #1156
24	4799J	Cable Battery 6ga 11" red
25	146147	Cable Battery 6 Ga W/16 Wir red
26	108824X	Fuse 30 AMP Auto Green
28	4207J	Cable Ground 6ga 12" black
29	121305X	Switch Plunger Nc Gray
30	140301	Switch Ign 4 pos
31	124211X	Nut Ignition
32	141226	Cover Sw Ignition
33	109310X	Key Ign Molded Craftsman, Delta
40	156442	Harness Man Cl Am Hm 97
41	71110408	Bolt Blk Hex 1/4-20unc x 1/2
42	131563	Cover Terminal Red
43	145673	Solenoid
44	73640400	Nut Keps Blk Hex 1/4-20 Unc
48	140844	Adapter Ammeter Rectangular
52	141940	Protection Wire Loop
70	140413	Harness Engine, Dual B&S

NOTE: All component dimensions give in U.S. inches
1 inch = 25.4 mm

TRACTOR -- MODEL NUMBER 917.258210

CHASSIS AND ENCLOSURES



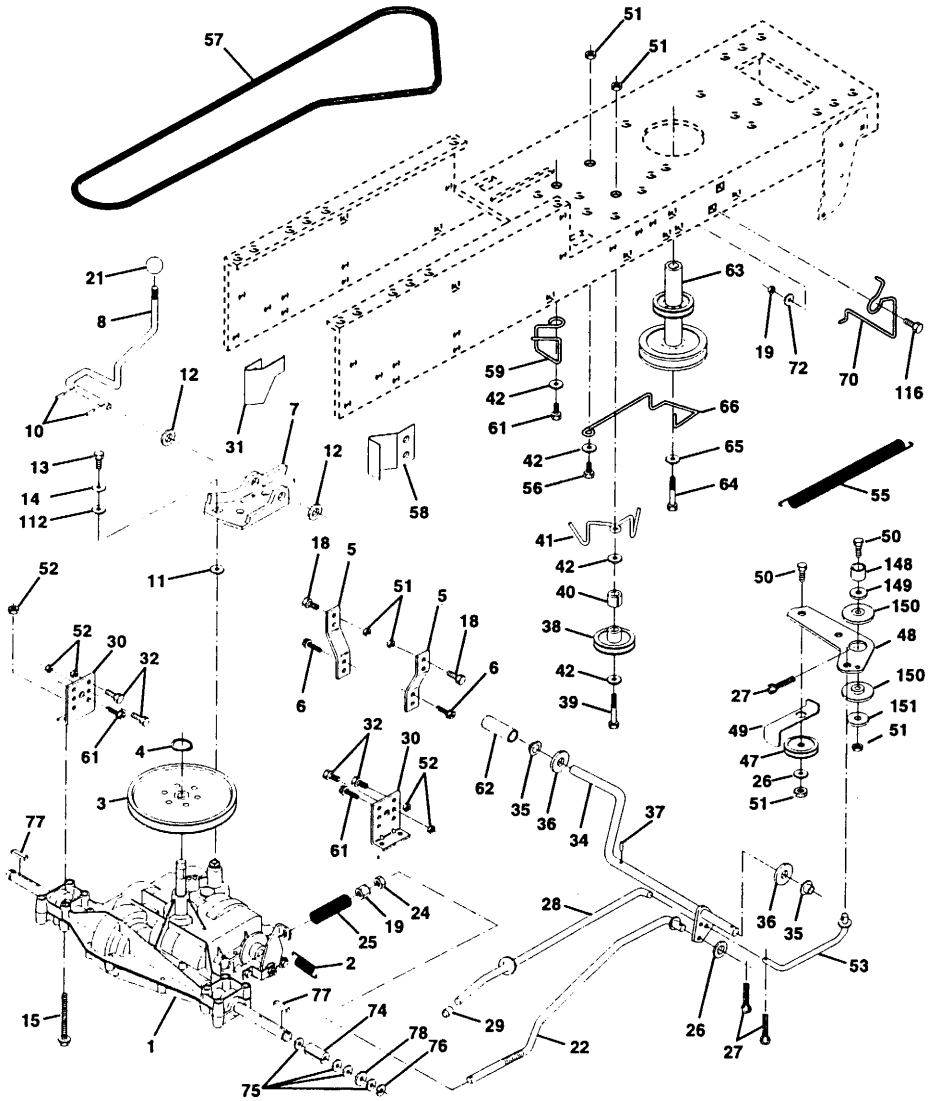
CHASSIS AND ENCLOSURES

KEY NO.	PART NO.	DESCRIPTION
1	160393	Chassis
2	140356	Drawbar Stretch
3	17490612	Screw Thrdol 3/8-16x3/4 Ty-tt
4	STD551025	Washer 13/32 x 3/4 x 16 Ga.
5	155272	Bumper Hood/Dash
6	155924X014	Saddle Silks Flat LT 5Sp Dana
7	126842X	Heat Shield Sloped Hood
8	155138	Clip Retainer Slide On
9	161913X010	Dash Silkscreened
10	STD533710	Bolt Rdhd Sqnk 3/8-16 Unc x 1
11	155927	Panel Pnt Dash Lh
13	155934X010	Panel Silkscr Dash Rh Weldment
14	17490608	Screw Thrdol 3/8-16x1/2 Ty-tt
15	74180512	Screw Mach Trhd 5/16-18uncx3/4
16	STD541431	Nut Keps 5/16-18 Unc
17	154988X558	Hood Asm Pnt
18	126938X	Bumper Hood
19	17521312	Screw Slt'd Hex Hd w/Pl Washer
21	122933X	Rivet Ratchet Nylon
22	124479X	Washer Nylon Blk 28x 75x 19
24	STD523710	Bolt Fin Hex 3/8-16unc X 1
25	19131312	Washer 13/16 X 13/16 X 12 Ga
26	STD541437	Nut Lock 3/8-16 Unc
28	140137	Grille Black
29	124029X	Lens Headlight Bar Clear
30	157584X558	Fender Pnt
31	136619	Bracket Pnt Fender
33	105476X558	Footrest Pnt Lh Perf
34	105475X558	Footrest Pnt Rh Perf
35	STD533707	Bolt Rdhd Sht Sqnk 3/8-16 X3/4
37	17490508	Screw Thrdol 5/16-18 x 1/2 Tyt
38	139886	Bracket Asm. Pivot, L.H., Mower Rear
39	139887	Bracket Asm. Pivot, R.H., Mower Rear
54	161464	Screw Hex Wshd 8-18 x 7/8
140	158418	Bracket Suspension Front
145	156524	Rod Pivot Chassis/Hood
--	5479J	Plug Button Blk 359 Dia

NOTE: All component dimensions give in U.S. inches
1 inch = 25.4 mm

TRACTOR -- MODEL NUMBER 917.258210

GROUND DRIVE



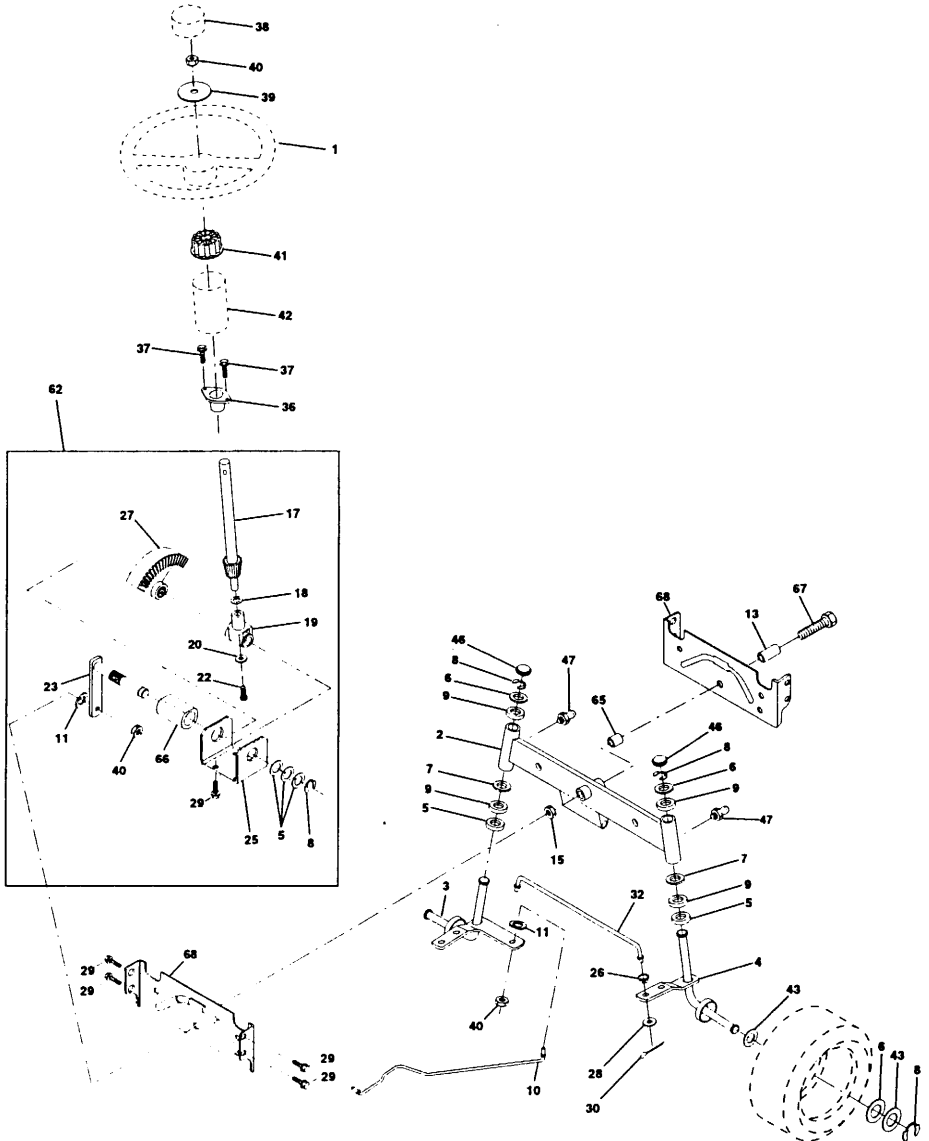
GROUND DRIVE

KEY NO.	PART NO.	DESCRIPTION	KEY NO.	PART NO.	DESCRIPTION
1	-----	Transaxle (See Breakdown)	40	4470J	Spacer Split 395 X 59 Bzp
		Dana 4360-112	41	154777	Keeper Belt Idler Fool Proof
2	146682	Spring Return Brake T/a Zinc	42	19131312	Washer 13/32 X 13/16 X 12 Ga
3	123666X	Pulley Transaxle Alum	47	127783	Pulley Idler V Groove Plastic
4	12000028	Ring Retainer # 5100-62	48	154407	Bellcrank Clutch Gmd Drv Stl
5	121520X	Strap Pnt Torque 30 Deg Blk	49	123205X	Retainer Belt Style Spring
6	17490512	Screw Thdrol 5/16-18 X 3/4 Tyt	50	STD523715	Bolt Hex Hd 3/8-16unc X 1-1/2
7	162240	Bracket T/a Saddle Shift	51	STD541437	Nut Crownlock 3/8-16 Unc
8	131679	Rod Shifter Blk	52	STD541431	Nut Lock 5/16-18 Unc
10	STD561210	Pin Cotter 1/8 X 1 Cad	53	105710X	Link Clutch 7 66
11	105701X	Washer Plate Shf 388 Sq Hole	55	105709X	Spring Return Clutch 6 75
12	19151216	Washer 15/32 X 3/4 X 16ga	56	STD523712	Bolt Fin Hex 3/8-16unc X 1-1/4
13	74550412	Bolt 1/4-28unf Gr8 w/Patch	57	130801	V-belt Ground Drive 95.25
14	STD551125	Washer Lock Hvy Helical 1/4	58	127274X	Keeper Belt Rh Lt Pnt/zinc16g
15	74490544	Bolt Hex FLGHD 5/16-18 Gr.5	59	140312	Retainer Belt Chassis Lh Zinc
18	STD523710	Bolt Fin Hex 3/8-16 Unc x 1 Gr. 5	61	17490612	Screw Thdrol 3/8-16x3/4 Ty-tt
19	STD541437	Nut Lock 3/8-16 Unc	62	8883R	Cover Pedal Blk Std
21	106933X	Knob Rd 1/2-13 Plstc Thds Blk	63	140186	Pulley Engine
22	130804	Rod Brake Lt	64	71170764	Bolt Finhex 7/16-20 x 4 g5
24	STD541237	Nut Hex Jam 3/8-16 Unc	65	STD551143	Washer Lock Hvy Hlcl Spr 7/16
25	106888X	Spring Rod Brake 2.00 Zinc	66	154778	Keeper Belt Engine Fool Proof
26	STD551037	Washer 13/32 X 13/16 X 16 Ga	70	134683	Guide Belt Dr Mower Rh
27	STD561210	Pin Cotter 1/8 X 3/4 Cad	72	19132012	Washer 13/32 X 1-1/4 X 12 Ga
28	145204	Rod Brake Parking Lt/Yt	74	109502X	Spacer Split
29	124236X	Cap Parking Brake Red	75	121749X	Washer 25/32 X 1 1/4 X 16 Ga
30	130807	Bracket Transmission	76	STD581075	Ring E #5133-75
31	127275X	Keeper Belt Lh Lt 14 Ga	77	123583X	Key Square 2 0 X 1845/ 1865
32	STD523107	Bolt Fin Hex 5/16-18 x 3/4	78	121748X	Washer 25/32 X 1 5/8 X 16ga
34	155071	Shaft Asm Pedal Foot	112	19091210	Washer 9/32 X 3/4 X 10 Ga
35	120183X	Bearing Nylon Blk 629 Id	116	72110610	Bolt Rdhd Sqnc 3/8-16 x 1.25
36	STD551062	Washer 21/32 X 1 X 16 Ga	148	159103	Spacer
37	STD571810	Pin Roll 3/16 X 1"	149	122052X	Spacer Retainer Pm Mower
38	123674X	Pulley Idler Flat	150	150935	Bushing Nylon Collered
39	STD523727	Bolt Fin Hex 3/8-16unc X 2-3/4	151	19133210	Washer 13/32 x 2 x 10 Ga

NOTE: All component dimensions give in U.S. inches 1 inch = 25.4 mm

TRACTOR - - MODEL NUMBER 917.258210

STEERING ASSEMBLY



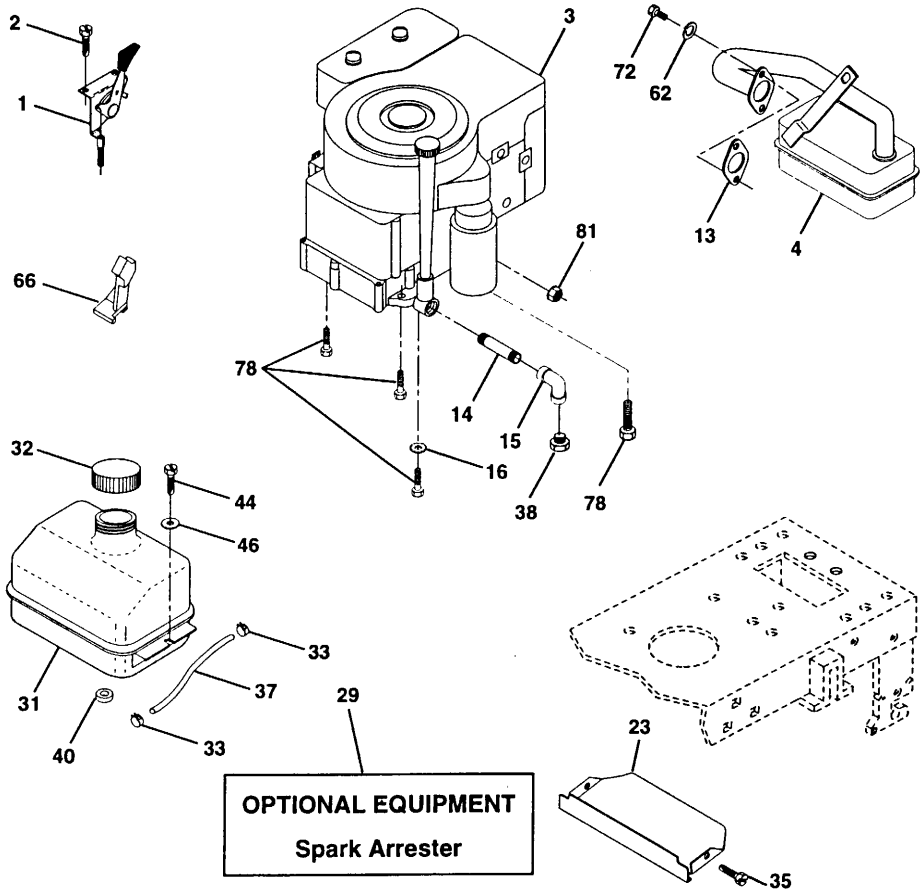
STEERING ASSEMBLY

KEY NO.	PART NO.	DESCRIPTION
1	139768	Steering Wheel
2	154427	Axle Assembly STMP Dropped STL
3	156483	Spindle Assembly, L.H.
4	157473	Spindle Assembly, R.H.
5	6266H	Bearing, Race, Thrust, Hardened
6	121748X	Washer 25/32 x 1-5/8 x 16 Gauge
7	19272016	Washer 27/32 x 1-1/4 x 16 Gauge
8	12000029	Ring, Klip
9	3366R	Bearing, Steering Column
10	156438	Draglink Extended Stamped
11	STD551137	Washer, Lock
13	154779	Bearing Axle STLT/GT
15	73901000	Nut, Lock, Flange 5/8-11 UNC
17	156545	Shaft Assembly, Steering
18	57079	Washer, Thrust .515 x .750 x .033
19	124035X	Support, Shaft
20	126684X	Washer, Shim 1/4 x 5/8 x .062
22	71200410	Screw, Hex Socket 1/4-20 x 5/8
23	127501	Pittman Shaft Assembly
25	154406	Bracket, Steering
26	126847X	Bushing, Link, Drag
27	136874	Gear, Sector
28	19131416	Washer 13/32 x 7/8 x 16 Gauge
29	17490612	Screw, Thd., Roll. 3/8-16 x 3/4
30	STD561210	Pin
32	130465	Rod, Tie
36	155099	Bushing, Steering
37	152927	Screw
38	139769	Cap, Steering Wheel
39	19133808	Washer 13/32 x 2-3/8 x 8 Gauge
40	STD541537	Gripco Nut
41	104820X	Adaptor, Steering Wheel
42	124417X	Boot, Steering Shaft
43	121749X	Washer 25/32 x 1-1/4 x 16 Gauge
46	121232X	Cap, Spindle
47	6855M	Fitting, Grease
62	156593	Kit Steering Asm Service
65	154780	Spacer Axle
66	154404	Bearing Arm Pittman
67	74781044	Bolt, Fin Hex 5/8-11 UNC x 2-3/4
68	154429	Axle, Brace

NOTE: All component dimensions given in U.S. inches
1 inch = 25.4 mm

TRACTOR - - MODEL NUMBER 917.258210

ENGINE

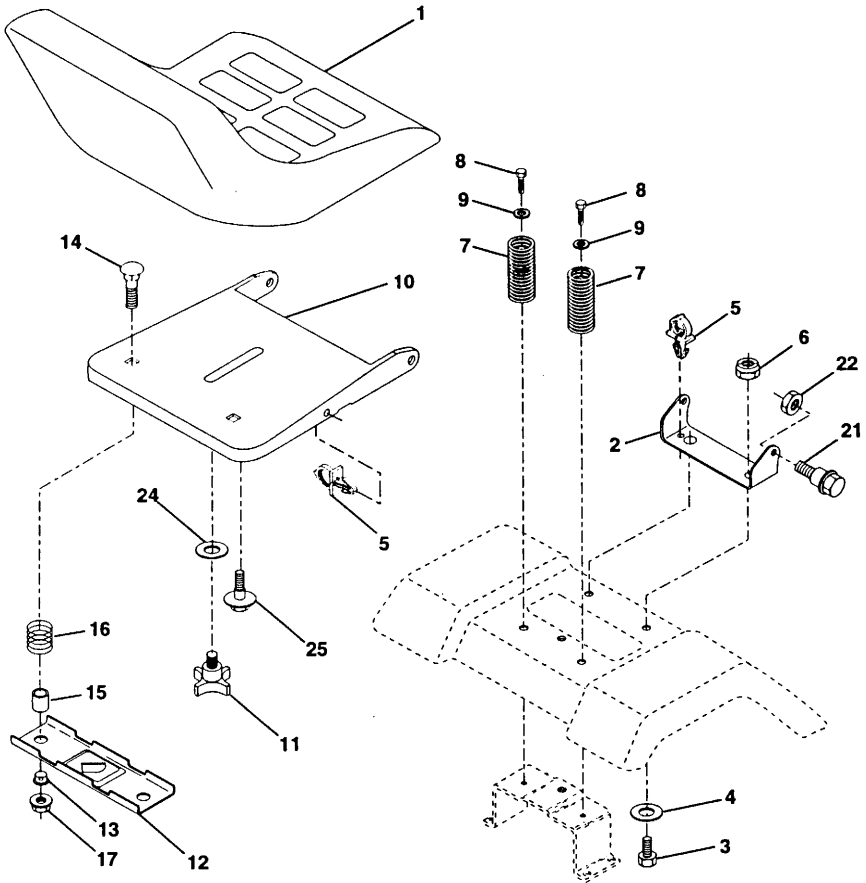


KEY NO.	PART NO.	DESCRIPTION
1	162155	Control Th/Ch Rh Eec Pdl
2	17720410	Screw Hex Thd Cut 1/4-20x5/8 T
3	-----	Engine (See Breakdown) B&S Model No. 289707-1179-E1
4	137348	Muffler Exhaust B&S Lt
13	272293	Gasket 1 313 Id Tin Plated
14	13280324	Nipple Pipe 3/8 Npt X 3"
15	13200300	Elbow Std 90 Degree 3/8-18 Npt
16	STD551237	Washer Lock Ext Tooth 3/8
23	159880	Shield Brn/Dbr Guard
29	137180	Arrestor Spark
31	109202X	Tank Fuel 1 25 Fr
32	158990	Cap Asm Fuel Vented Sears
33	123487X	Clamp Hose Blk
35	17490512	Screw Thdrol 5/16-18 x 3/4
37	137040	Line Fuel 20"
38	-----	Plug Oil Drain (Order From Engine Manufacturer)
40	124028X	Bushing Snap Nyl Blk Fuel Line
44	17490412	Screw Hexwsh Thdrol 1/4-20x3/4
46	19091416	Washer 9/32 X 7/8 X 16ga
62	STD551131	Washer Lock Hvy Hlcl Spr 5/16
66	127951	Stop Throttle 3000 Rpm
72	71070512	Screw Hexhd Cap 5/16-18x3/4
78	17490620	Screw Thdrol 3/8-16x1-1/4 Tytt
81	128861	Nut Flange 1/4-20 Starter Nut

NOTE: All component dimensions given in U.S. inches
1 inch = 25.4 mm

TRACTOR -- MODEL NUMBER 917.258210

SEAT ASSEMBLY



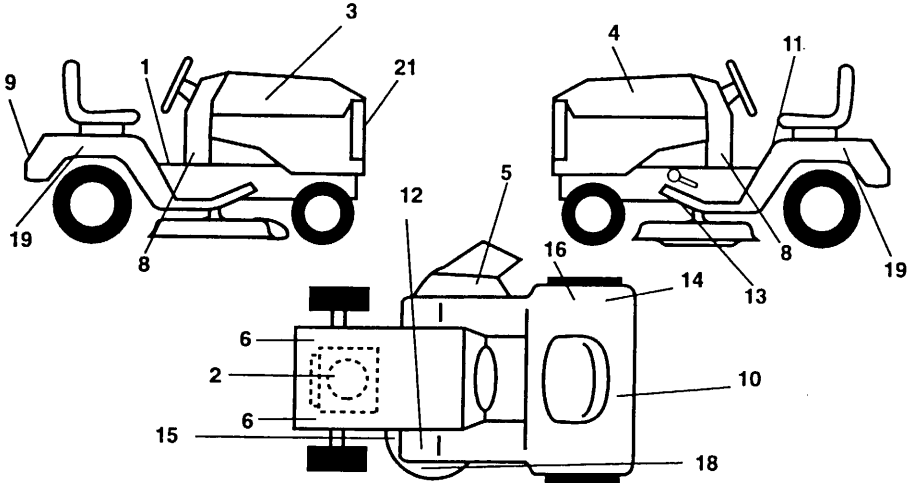
KEY NO.	PART NO.	DESCRIPTION
1	151205	Seat V350
2	140551	Bracket Pnt Pivot Seat (blk)
3	STD523710	Bolt Fin Hex 3/8-16unc X 1
4	19131610	Washer 13/32 X 3/4 X 10 Ga
5	145006	Clip Push In Hinged
6	STD541437	Nut Crownlock 3/8-16 Unc
7	124181X	Spring Seat Cprsn 2 250 Blk Zi
8	17490616	Screw Thrdol 3/8-16 X 1 Ty-tt
9	19131614	Washer 13/32 X 1 X 14 Ga
10	155925	Pan Pnt Seat (blk)
11	120068X	Knob Seat 1/2-13 Unc Blk
12	121246X	Bracket Pnt Mounting Switch

KEY NO.	PART NO.	DESCRIPTION
13	121248X	Bushing Snap Blk Nyl 50 Id
14	72050412	Bolt Rdhd Sht Nk 1/4-20x1-1/2
15	134300	Spacer Split 28 X 96 Zinc
16	121250X	Spring Cprsn 1 27 Blk Pnt
17	123976X	Nut Lock 1/4 Lge Flg Gr 5 Zinc
21	153236	Bolt Shoulder 5/16-18 Unc Blkz
22	STD541431	Nut Crown Lock 5/16-18
24	19171912	Washer 17/32 X 1-3/16 X 12 Ga
25	127018X	Bolt Shoulder 5/16-18 X 62

NOTE: All component dimensions given in U.S. inches
1 inch = 25.4 mm

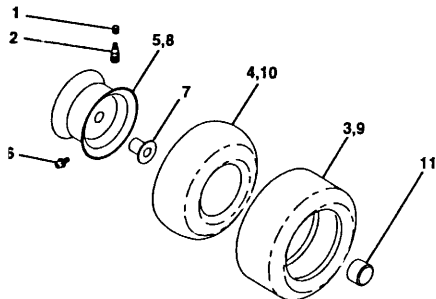
TRACTOR - - MODEL NUMBER 917.258210

DECALS



KEY NO.	PART NO.	DESCRIPTION	KEY NO.	PART NO.	DESCRIPTION
1	140837	Decal Saddle Brake Parking	13	146046	Decal V-belt Dr Sch Tractor
2	272936	Decal Engine 12.5 Hp B&S IC Crafts	14	126187X	Decal 100 DBA Cert Dutch/Fre
3	163990	Decal Hood Slope Rh	15	136832	Decal Mower Drive Schematic 38
4	163991	Decal Hood Slope Lh	16	145437	Decal Europe Stand CE
5	145494	Decal Mower Cut Finger Symbol	18	133179	Decal Mower Qc System
6	159736	Decal Chassis Hot Muffler	19	163992	Decal Fender Sd
8	163247	Decal Panel Dash	21	131265	Decal Lightbox
9	163204	Decal Craftsman	--	138311	Decal Lift Handle
10	145005	Decal Btry Dngr/Psn Eng.	--	162598	Decal Drawbar Load Limit
11	145498	Decal Read Owners Manual Syms	--	164162	Manual, Owner's (Euro)
12	159737	Decal Clutch/brake English	--	164163	Manual, Owner's (Scand)
			--	164164	Manual, Operators Parts

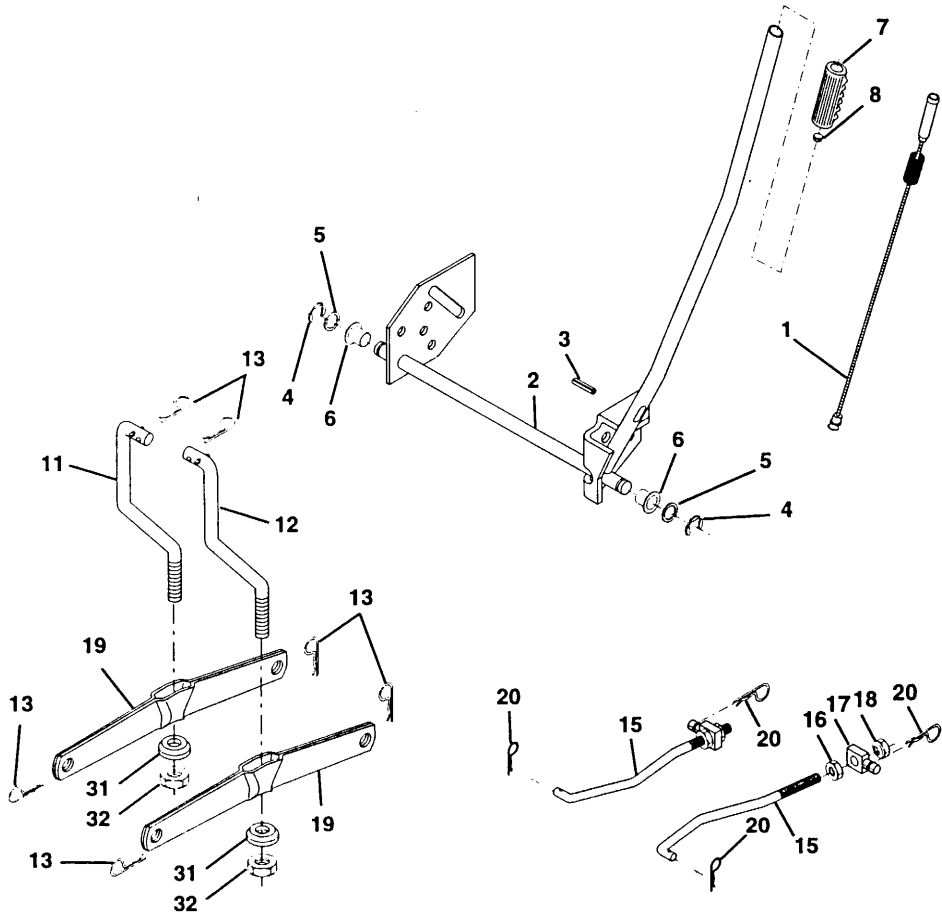
WHEELS & TIRES



KEY NO.	PART NO.	DESCRIPTION
1	59192	Cap Value Tire
2	65139	Stem Value
3	124157X	Tire F 15 X 6 0 - 6 Service
4	59904	Tube Inner Front #35060
5	106732X427	Rim Asm 6" front White Service
6	278H	Fitting Grease
7	9040H	Bearing Flange
8	106108X427	Rim Asm 8" rear White Service
9	123969X	Tire R 18x8 5-8 Service
10	7152J	Tube Rear 9 5 X 8 Service
11	104757X	Cap Axle Blk 1 50 X 1 00
--	144334	Sealant, Tire (10 oz. Tube)

NOTE: All component dimensions given in U.S. inches
1 inch = 25.4 mm

LIFT ASSEMBLY



TRACTOR -- MODEL NUMBER 917.258210

LIFT ASSEMBLY

KEY NO.	PART NO.	DESCRIPTION
1	159460	Wire Asm Inner/Sprg w/Plunger IT
2	159474	Shaft Asm. Lift
3	105767X	Pin Groove
4	12000002	E Ring #5133-62
5	19211621	Washer 21/32 x 1 x 21 Ga.
6	120183X	Bearing Nylon
7	125631X	Grip Handle Fluted
8	122365X	Button Plunger Read
11	139865	Lift Asm. Link LH
12	139866	Lift Asm. Link RH
13	STD624008	Retainer Spring
15	127218	Link Front
16	73350800	Nut Jam Hex 1/2-13 Unc
17	130171	Trunnion Blk Zinc
18	73680800	Nut Crownlock 1/2-13 Unc
19	139868	Arm Suspension Mower
20	163552	Retainer Spring
31	140302	Bearing, Pvt. Lift. Spherical
32	73540600	Nut Crownlock 3/8-24

NOTE: All component dimensions given in U.S. inches
1 inch = 25.4 mm

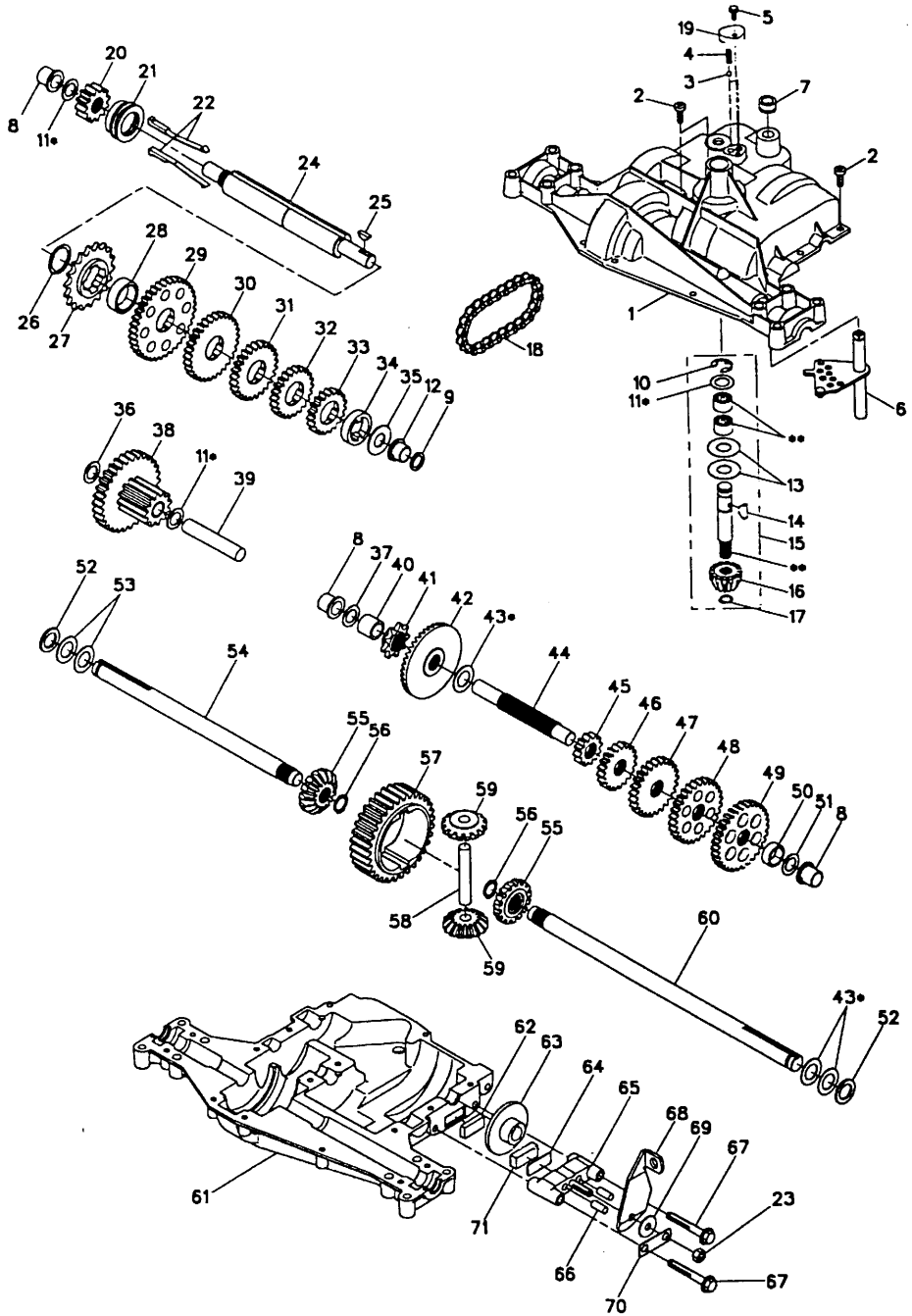
TRACTOR - - MODEL NUMBER 917.258210

MOWER DECK

KEY NO.	PART NO.	DESCRIPTION	KEY NO.	PART NO.	DESCRIPTION
1	142829	Mower Housing Assembly	55	133840	Idler Arm Assembly
2	STD533107	Bolt, Carriage 5/16-18 x 3/4	56	122052X	Spacer, Retainer 1-3/4
3	138017	Bracket Asm. Fram Sway Bar 38/42	67	162113	Knob
4	138440	Bracket, Asm. Deck Sway Bar 38"	68	144200	Belt
5	STD624008	Retainer, Spring	69	STD560907	Pin, Cotter 3/32 x 3/4
6	130832	Asm. Suspension Rear	71	142427	Rod, Clutch, Primary
8	850857	Bolt, Hex 3/8-24 x 1-1/4 Grade 8	72	131870	Spring, Return
9	STD551137	Washer, Lock, Hvy Hlcl Spring 3/8	73	127847	Arm, Clutch, Secondary
10	140296	Washer, Hard Blade Mower Vented	74	121748X	Washer 25/32 x 1-5/8 x 16 Gauge
11	134148	Blade, Mower, Mulching 38"	75	12000029	Ring, Klip
12	129895	Ball Bearing	76	128903	Bolt, Shoulder
13	137645	Shaft and Bearing Assembly (Includes Key Number 15)	77	127845	Keeper, Spring
14	128774	Mandrel Housing, Vented	78	160571	Arm, Clutch, Primary
15	110485X	Ball Bearing, Mandrel	79	127498	Bushing
16	140329	Stripper, Mower, Vented	80	153701	Spring
19	132827	Bolt, Shoulder	81	STD541237	Nut Hex Jam 3/8-16 UNC
21	STD541431	Nut, Crownlock 5/16-18	82	142028	Trunnion Adj 94
23	137607	Bracket, Mower Deflector	86	7631J	Runner, LH
24	105304X	Cap, Sleeve	87	128772	Runner, RH
25	123713X	Spring, Deflector	88	19111216	Washer 11/32 x 3/4 x 16 Gauge
26	110452X	Nut, Push	89	19131612	Washer 13/32 x 1 x 12 Gauge
27	106736X	Shield, Deflector	92	STD541437	Nut Lock Hex w/Ins 3/8-16 UNC
28	19111016	Washer 11/32 x 3/4 x 16 Gauge	107	133502	Spacer, Retainer
29	106735X	Rod, Hinge	108	133503	Stiffener, Idler Arm
30	157722	Screw, Thdrol Washer Hd	109	74760640	Bolt, Hex Head 3/8-16 x 2-1/2
31	129963	Washer, Spacer	110	142587	Upstop Deck Front 38"
32	153532	Pulley, Mandrel	113	17490512	Screw, Hex Head, Thd., Roll. 5/16-18 x 3/4
33	137266	Nut, Flangelock 9/16	122	131289	Rod, Brake, LH
36	131494	Pulley, Idler, Flat	123	131288	Rod, Brake, RH
40	STD541437	Nut, Crownlock 3/8-16	124	STD533717	Bolt, Carriage 3/8-16 x 1-3/4
41	133551	Rod, Pivot	128	153390	Washer Felt
43	133504	Rod, Clutch, Secondary	141	6266H	Washer Thrust .75 x 1.230
45	STD624003	Retainer, Spring	--	130794	Mandrel Assembly (Includes Key Numbers 12-15, 17-19, 31 and 33)
53	130840	Brake Assembly	--	142820	Mower Deck, Complete
54	133943	Washer Hardened			

NOTE: All component dimensions given in U.S.inches
1 inch = 25.4 mm

TRACTOR -- MODEL NUMBER 37-250219
 DANA TRANSAXLE --- MODEL NUMBER 4360-112

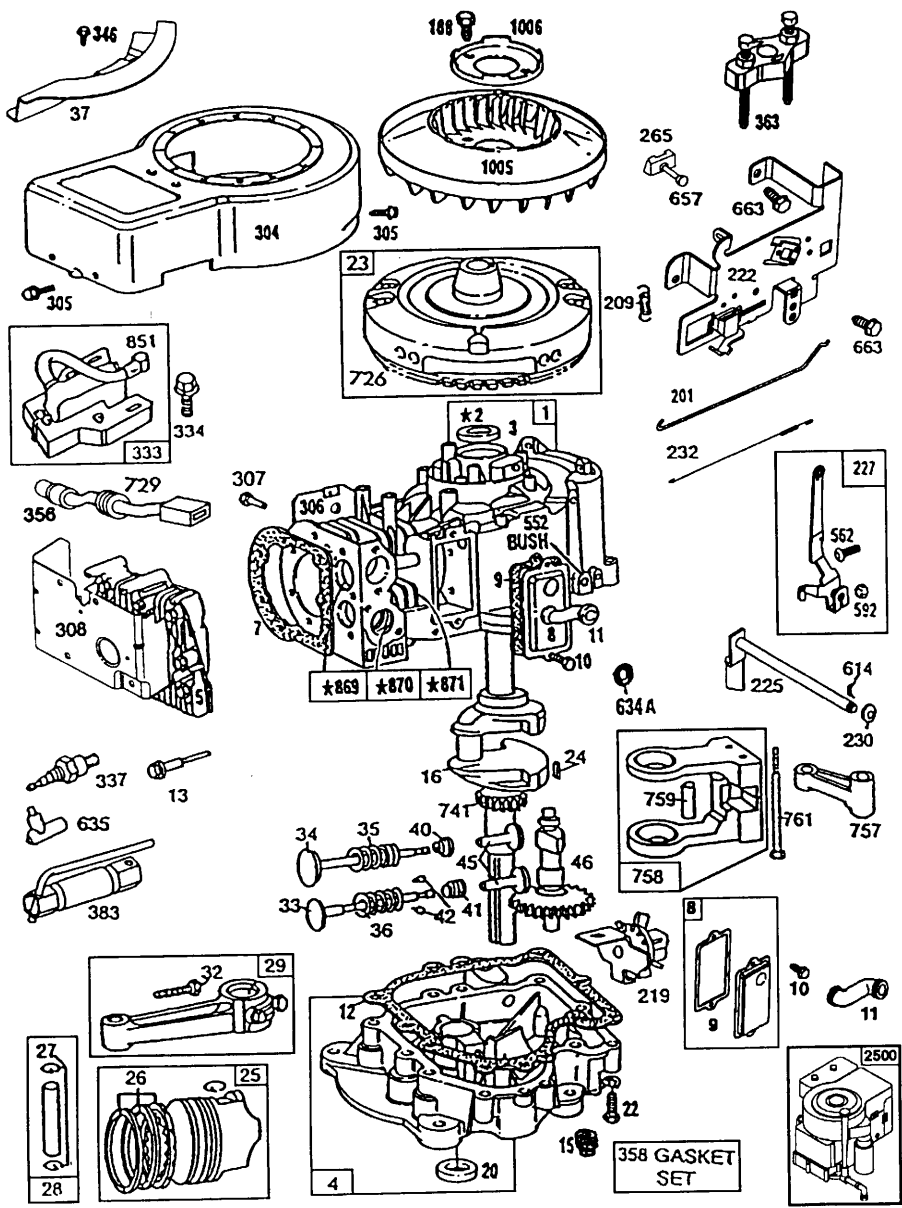


TRACTOR - - MODEL NUMBER 917.258210

DANA TRANSAXLE - - MODEL NUMBER 4360-112

KEY PART		DESCRIPTION	KEY PART		DESCRIPTION
NO.	NO.		NO.	NO.	
1	160939	Housing, Upper	37	2231J	Washer, Plain, .632 X 1.00 X .031
2	2274J	Screw, Tapping, 1/4-20 X .734	38	160944	Assy, Gear, Comb., 12T & 30T
3	134400	Ball, Detent	39	124639X	Shaft, Idler
4	105904X	Spring, Detent	40	120472X	Spacer, .633 X .87 X .755
5	160940	Screw, Tapping, No.10-24 X .482	41	105928X	Sprocket, 9T
6	138235	Assy, Shifter	42	110084X	Gear, Bevel, 42T
7	108727X	V-Ring	43	134394	*Assy, Kit, Shim, .750 Shaft
8	148266	Bearing, Flange	44	120473X	Shaft, Drive
9	148269	Seal, Oil	45	142678	Gear, Spur, 12T
10	2225J	Ring, Retaining	46	124641X	Gear, Spur, 20T
11	134793	*Assy, Kit, Shim, .625 Shaft	47	106589X	Gear, Spur, 25T
12	148268	Bearing, Flange	48	120408X	Gear, Spur, 28T
13	120415X	Washer, Plain, .632 X 1.38 X .046	49	105937X	Gear, Spur, 31T
14	142674	Key, Woodruff, No. 9	50	105936X	Spacer, .781 x 1.00 x .375
15	138234	Assy, Kit, Input Shaft	51	2226J	Washer, Plain, .632 X 1.00 X .060
16	110078X	Pinion, Bevel, 14T	52	134401	Washer, Neoprene
17	105909X	Ring, Retaining	53	2264J	Washer, Plain, .758X 1.25X .031
18	105910X	Chain, 24 Pitches	54	160946	Axle, LH
19	160942	Cover, Detent	55	110081X	Gear, Miter, 15T
20	160943	Gear, Spur, 12T	56	160948	Ring, Retaining
21	148267	Collar, Clutch	57	110071X	Gear, Spur, 32T
22	138236	Assy, Kit, Clutch Keys	58	120952X	Shaft, Cross
23	73810500	Nut, Lock, 5/16-24	59	110082X	Gear, Miter, 15T
24	142676	Shaft, Intermediate	60	160950	Axle, RH
25	2244J	Key, Woodruff, No. 61	61	142680	Housing, Lower
26	105916X	Ring, Retaining	62	120961X	Puck, Friction
27	120470X	Sprocket, 18T	63	7294J	Disc, Brake
28	110070X	Spacer, 1.131 X 1.45 X .494	64	108989X	Spacer, Brake Puck
29	142677	Gear, Spur, 37T	65	160952	Jaw, Brake
30	124644X	Gear, Spur, 30T	66	120954X	Pin, Dowel
31	108980X	Gear, Spur, 25T	67	160953	Screw, Tapping, 5/16-18 X 2.35
32	120406X	Gear, Spur, 22T	68	138244	Lever, Actuating
33	134796	Gear, Spur, 19T	69	108996X	Washer, Plain, .321 X 1.00 X .055
34	134797	Spacer, 1.133 X 1.50 X .375	70	160954	Bracket, Anti-Rotation
35	105925X	Washer, Plain, .640 X 1.37 X .061	71	120951X	Puck, Friction
36	2228J	Washer, Plain, .632 X 1.00 X .046	72	120416X	Grease

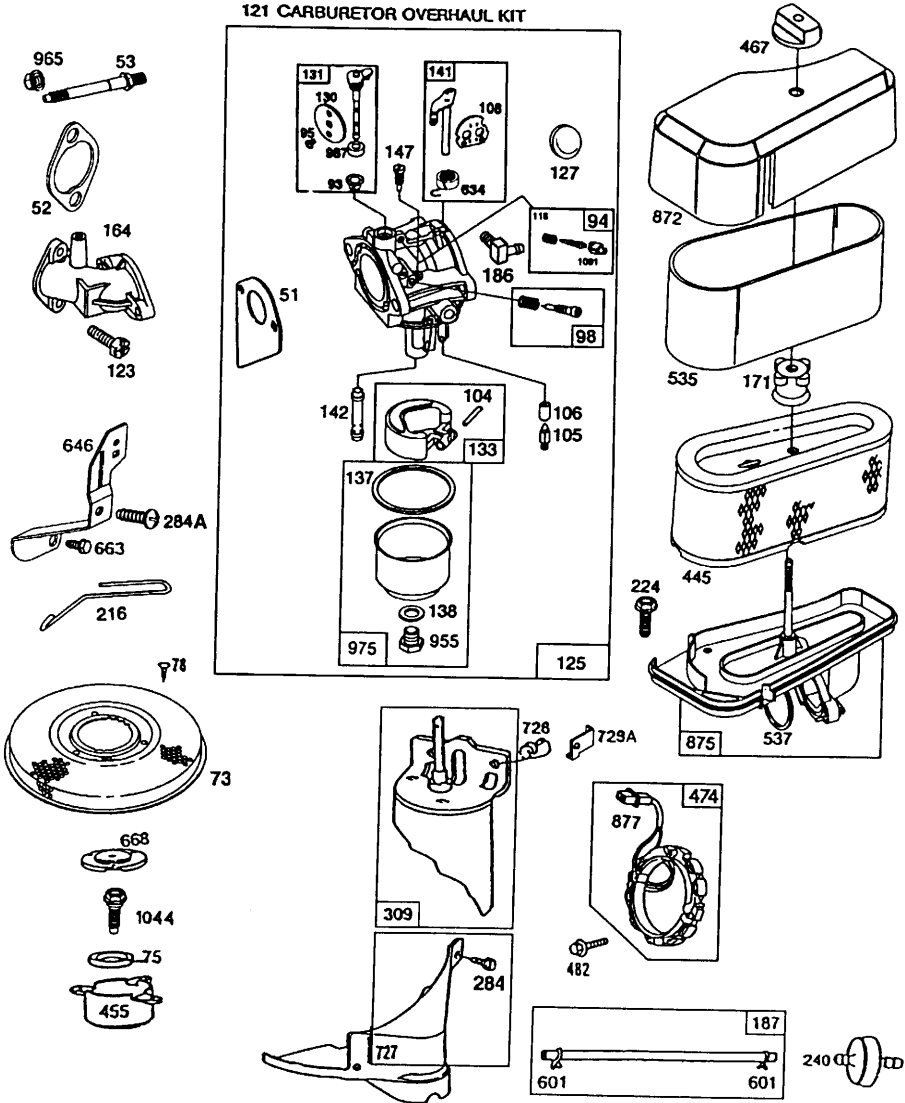
NOTE: All component dimensions given in U.S. inches
1 inch = 25.4 mm

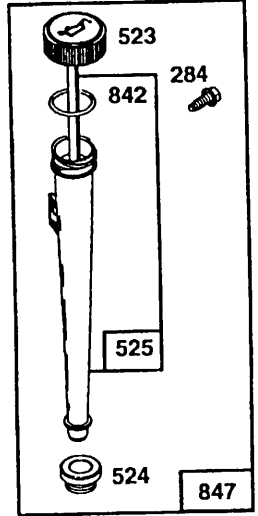
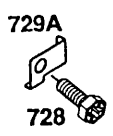
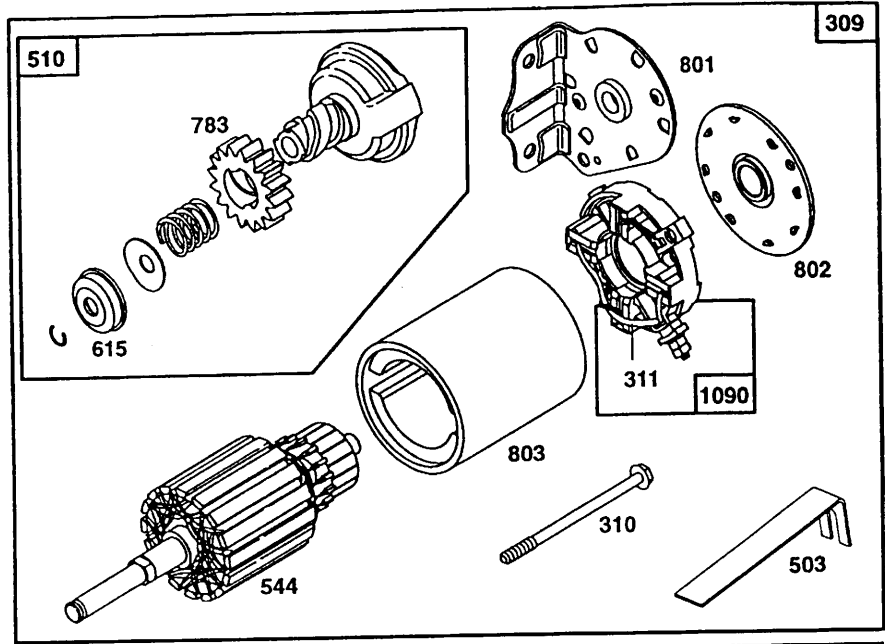


TRACTOR - - MODEL NUMBER 917.258210

BRIGGS & STRATTON ENGINE-MODEL NUMBER 289707, TYPE NUMBER 1179-E1

121 CARBURETOR OVERHAUL KIT





TRACTOR - - MODEL NUMBER 917.258210

BRIGGS & STRATTON ENGINE-MODEL NUMBER 289707, TYPE NUMBER 0179-E1

KEY NO.	PART NO.	DESCRIPTION	KEY NO.	PART NO.	DESCRIPTION
1	496413	Cylinder Assembly			
2	399265	Bearing, Cylinder (Requires Special Tools For Installation)	52	272554	Δ Gasket, Carburetor
3	391086	• Seal, Oil	53	94637	Stud, Carburetor Mounting
5	494240	Head, Cylinder	73	224517	Screen, Rotating
7	271866	Δ Gasket, Cylinder Head	75	224061	Washer, Spring
8	495735	Breather Assembly	78	94626	Screw, Sems
9	27803	Δ Gasket, Valve Cover	93	281346	Bushing, Throttle Shaft
10	94621	Screw, Sems	94	498030	Valve, Needle
11	280100	Tube, Breather	95	94098	• Screw, Throttle
12	271916	• Gasket, Crankcase Cover 1/64"	98	495800	Screw, Idle Speed
	271997	• Gasket, Crankcase Cover .005"	104	231789	• Pin, Float Hinge
	271996	• Gasket, Crankcase Cover .009"	105	231855	• Valve Assembly, Inlet Needle
13	94622	Screw, Cylinder Head	106	231854	Inlet, Valve Seat
15	94239	Plug, Oil Drain	108	224540	Valve, Choke
16	498971	Crankshaft	110	225137	Washer, Flat
18	494238	Base, Engine	121	499220	Carburetor Overhaul Kit
20	291675	• Seal, Oil	123	94913	Screw, Elbow Mounting
22	94624	Screw, Sems, Base Mounting	125	498027	Carburetor Assembly
23	492326	Flywheel and Ring Gear Assembly, Magneto	127	- - -	Plug, Welch (Sold in Kit Only)
24	222698	Key, Flywheel	130	224539	Valve, Throttle
25	394661	Piston Assembly, Standard	131	494379	Shaft and Lever, Throttle
	394662	Piston Assembly .010" Oversize	133	494381	Float, Carburetor
	394663	Piston Assembly .020" Oversize	137	281165	∅ Gasket, Float Bowl
	394664	Piston Assembly .030" Oversize	138	281164	∅ Washer, Float Bowl Screw
26	391780	Ring Set, Piston, Standard Size	141	495931	Shaft and Lever, Choke
	392331	Ring Set, Piston, Chrome, Standard	142	497566	• Nozzle / Jet, Carburetor
	391781	Ring Set, Piston .010" Oversize	146	94196	Key, Timing Gear
	391782	Ring Set, Piston .020" Oversize	164	213819	Intake, Elbow
	391783	Ring Set, Piston .030" Oversize	171	281051	Nut, Air Cleaner Mounting
27	263129	Lock, Piston Pin	186	493496	Connector, Hose
28	299691	Pin Assembly, Piston, Standard	187	296004	Line, Fuel
	391286	Pin Assy., Piston .005" Oversize	188	94627	Screw, Sems
29	490348	Rod Assembly, Connecting	201	262767	Link, Governor
	490469	Rod Assembly, Connecting, .020" Undersize Crankpin Bore	209	260871	Spring, Governor
32	94671	Screw, Connecting Rod	216	262766	Link, Choke
33	262246	Valve, Exhaust	219	490815	Oil Slinger, Governor Gear and Bracket Assembly
34	262247	Valve, Intake	222	495611	Plate, Governor Control
35	65906	Spring, Intake Valve	224	94513	Screw, Sems, Air Cleaner
36	26828	Spring, Exhaust Valve	225	495157	Crank, Governor
37	224502	Guard, Flywheel	227	493935	Lever Assembly, Governor
40	221596	Retainer, Intake Valve	230	94927	Washer, Governor Crank
41	292260	Rotocoil, Exhaust Valve	232	262785	Spring, Governor Link
42	494553	Retainer, Exhaust Valve Rotocoil	240	394358	Filter, Fuel
45	262248	Tappet, Valve	265	221535	Clamp, Casing
46	212897	Gear, Cam			
51272465		∅ Gasket, Carburetor (to Elbow)			

NOTE: All component dimensions given in U.S. inches
1 inch = 25.4 mm

BRIGGS & STRATTON ENGINE-MODEL NUMBER 289707, TYPE NUMBER 0179-E1

KEY NO.	PART NO.	DESCRIPTION	KEY NO.	PART NO.	DESCRIPTION
284	94903	Screw, Shoulder, Hex Washer Head	757	213998	Link, Counterweight
284A	94704	Screw, Hex Head	758	399891	Counterweight Assembly
304	496282	Housing, Blower	759	230787	Pin, Counterweight
305	94786	Screw, Sems, Blower Housing Mounting	761	94593	Screw, Counterweight
306	224545	Shield, Cylinder	783	280104	Gear, Starter
307	94930	Screw, Sems, Cylinder Shield Mounting	801	497626	Cap, Drive
308	491490	Cover, Cylinder Head	802	497607	Cap, End
309	497595	Motor, Starter	803	497604	Housing, Starter
310	94003	Bolt, Thru	842	270920	Seal, Oil Filler Cap
311	497608	Brush Set	847	496415	Fill Group, Oil
333	492341	Armature, Magneto	851	493880	Terminal, Ignition Cable
334	94731	Screw, Sems, Armature Mounting	869	261463	Seat, Intake Valve, Standard
337	802592	Plug, Spark	870	262924	Seat, Exhaust Valve, Standard
346	94896	Screw, Hex Head	871	261961	Guide, Exhaust Valve
356	494328	Wire, Ground		231218	Guide, Intake Valve
358	494241	Gasket Set	872	281104	Cover, Air Cleaner
363	19203	Puller, Flywheel	875	494237	Body, Air Cleaner
383	89838	Wrench, Spark Plug	877	393456	Wire, Alternator
445	496984	Cartridge, Air Cleaner	955	94642	Screw, Fuel Bowl
455	222561	Cup, Screen Mounting	965	94010	Locknut, Air Cleaner Mounting
467	493903	Knob, Air Cleaner	975	495933	Bowl Assembly, Carburetor
474	393474	Stator, Alternator	977	494385	Carburetor Gasket Kit
482	93621	Screw, Sems	1005	280687	Fan, Flywheel
503	806000	Strap, Starter	1006	224413	Retainer, Fan
510	497606	Drive, Starter	1036	499362	Label, Kit - Emission
523	495230	Cap and Dipstick, Oil Filler	1044	94673	Screw, Hex Head
524	281370	Seal, Filler Tube	1090	497605	Retainer, Brush
525	496113	Tube, Oil Filler	1091	281364	Cap, Limiter
535	272403	Element, Air Cleaner	2500	286707-4526	Replacement Engine
537	281106	O-Ring, Air Cleaner	— —	496606	Replacement Shortblock
544	497603	Armature, Starter			RPM Settings: Low: 1550-1950; High: 3200-3400
552	491986	Bushing, Governor Crank			* Included in Gasket Set (494241)
562	94907	Bolt, Governor Lever			* Included in Carburetor Overhaul Kit (499220)
592	231978	Nut, Hex			◇ Included in Carburetor Gasket Set (494385)
592A	92278	Nut, Hex			△ Included in Valve Overhaul Gasket Set (498539)
601	93053	Clamp, Fuel Pipe			NOTE: All component dimensions given in U.S. inches 1 inch = 25.4 mm
611	493496	Fuel Inlet Tube			
614	93306	Cotter, Pin			
615	263080	Retainer			
618	262803	Spring, Choke Return			
634	494455	Seal, Choke Shaft			
634A	491323	Seal, Governor			
635	66538	Elbow, Spark Plug			
646	224546	Brace, Air Cleaner			
657	94906	Screw, Sems			
663	94929	Screw, Hex Head			
668	280848	Spacer			
726	392134	Gear, Ring (Includes Mounting Parts)			
727	490324	Cover, Starter (Includes Mounting Screws)			
728	94951	Screw, Torx®			
729	281159	Clip, Lead Wire			
729A	225170	Retainer Wire			
741	262932	Gear, Timing			