



**REPAIR PARTS MANUAL**  
**MODEL NO. 258220**  
**Lawn Tractor**

---

**CRAFTSMAN®**

# HOW TO USE THIS MANUAL

This manual is designed to provide the customer with a means to identify the parts on his/her tractor when ordering repair parts. The illustrations may or may not represent the actual assemblies; therefore, it is not recommended to use this manual as a guide to assemble or disassemble the tractor. Some hardware and parts are drawn larger in order to more readily identify them.

Each tractor has its own model number.

The model number for your tractor can be found on the fender under the seat.

When ordering parts, always give the following information:

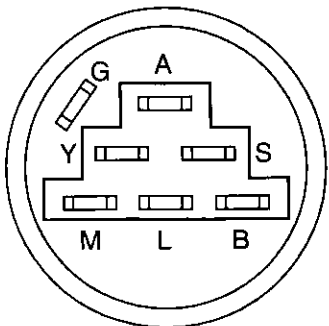
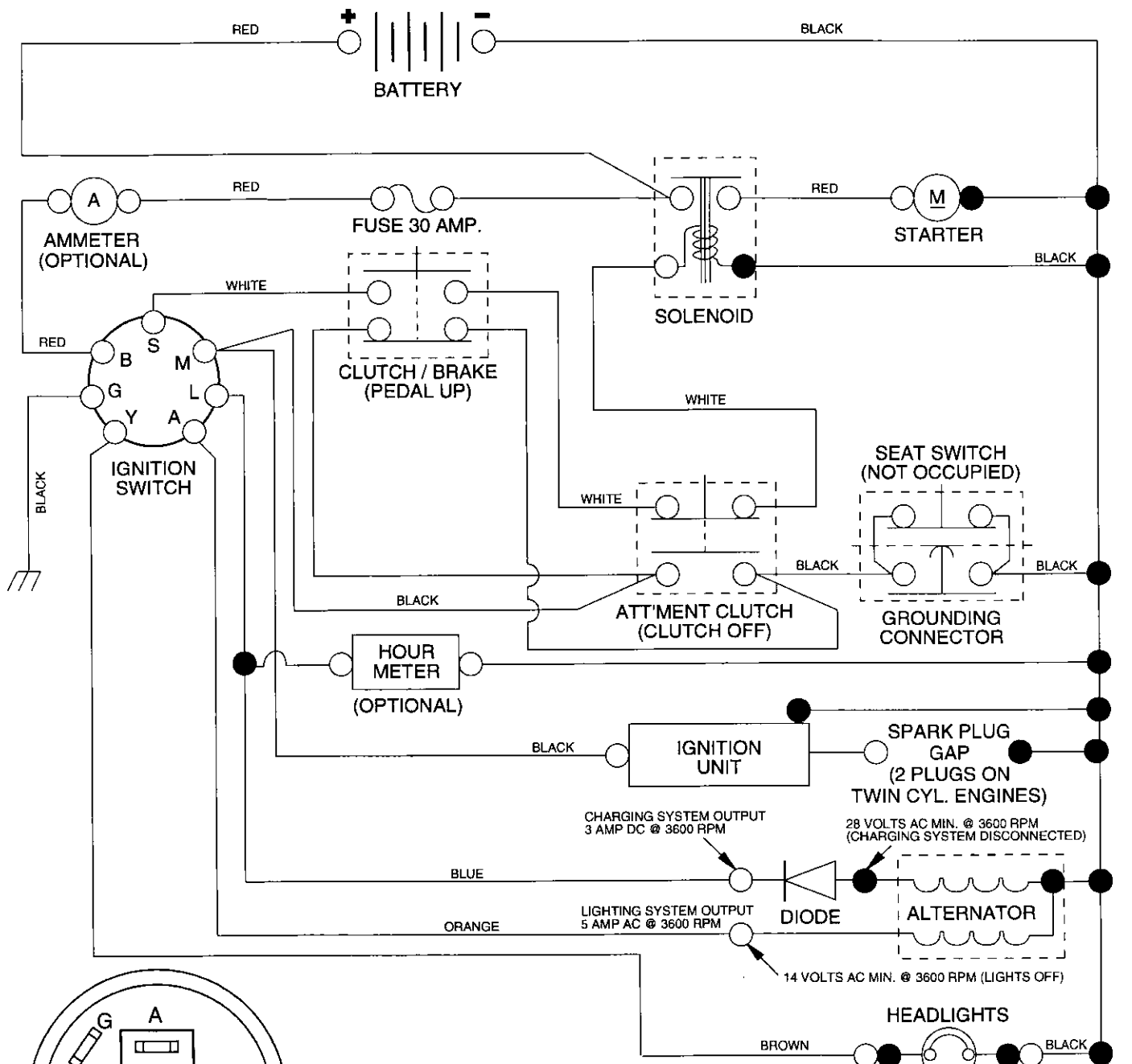
- Product - "Tractor"
- Model Number - "258220"
- Part Number
- Part Description

## TABLE OF CONTENTS

<b>SCHEMATIC .....</b>	<b>3</b>
<b>ELECTRICAL .....</b>	<b>4-5</b>
<b>CHASSIS .....</b>	<b>6-7</b>
<b>DRIVE .....</b>	<b>8-9</b>
<b>STEERING WHEEL .....</b>	<b>10-11</b>
<b>SEAT .....</b>	<b>12</b>
<b>DECALS .....</b>	<b>13</b>
<b>ENGINE .....</b>	<b>14</b>
<b>MOWER LIFT LEVER .....</b>	<b>15</b>
<b>MOWER DECK .....</b>	<b>16-17</b>
<b>TRANSAXLE .....</b>	<b>18-19</b>
<b>ENGINE IPB .....</b>	<b>20-25</b>

# TRACTOR - - MODEL NUMBER 917.258220

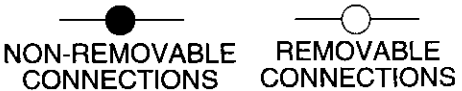
## SCHEMATIC



**IGNITION SWITCH**

POSITION	CIRCUIT	"MAKE"
OFF	G + M + L	NONE
RUN/LIGHT	B + L	A + Y
RUN	B + L	NONE
START	B + L + S	NONE

**NOTE**  
 YOUR TRACTOR IS EQUIPPED WITH A SPECIAL ALTERNATOR SYSTEM. THE LIGHTS ARE NOT CONNECTED TO THE BATTERY, BUT HAVE THEIR OWN ELECTRICAL SOURCE. BECAUSE OF THIS, THE BRIGHTNESS OF THE LIGHTS WILL CHANGE WITH ENGINE SPEED. AT IDLE THE LIGHTS WILL DIM. AS THE ENGINE IS SPEEDED UP, THE LIGHTS WILL BECOME THEIR BRIGHTEST.

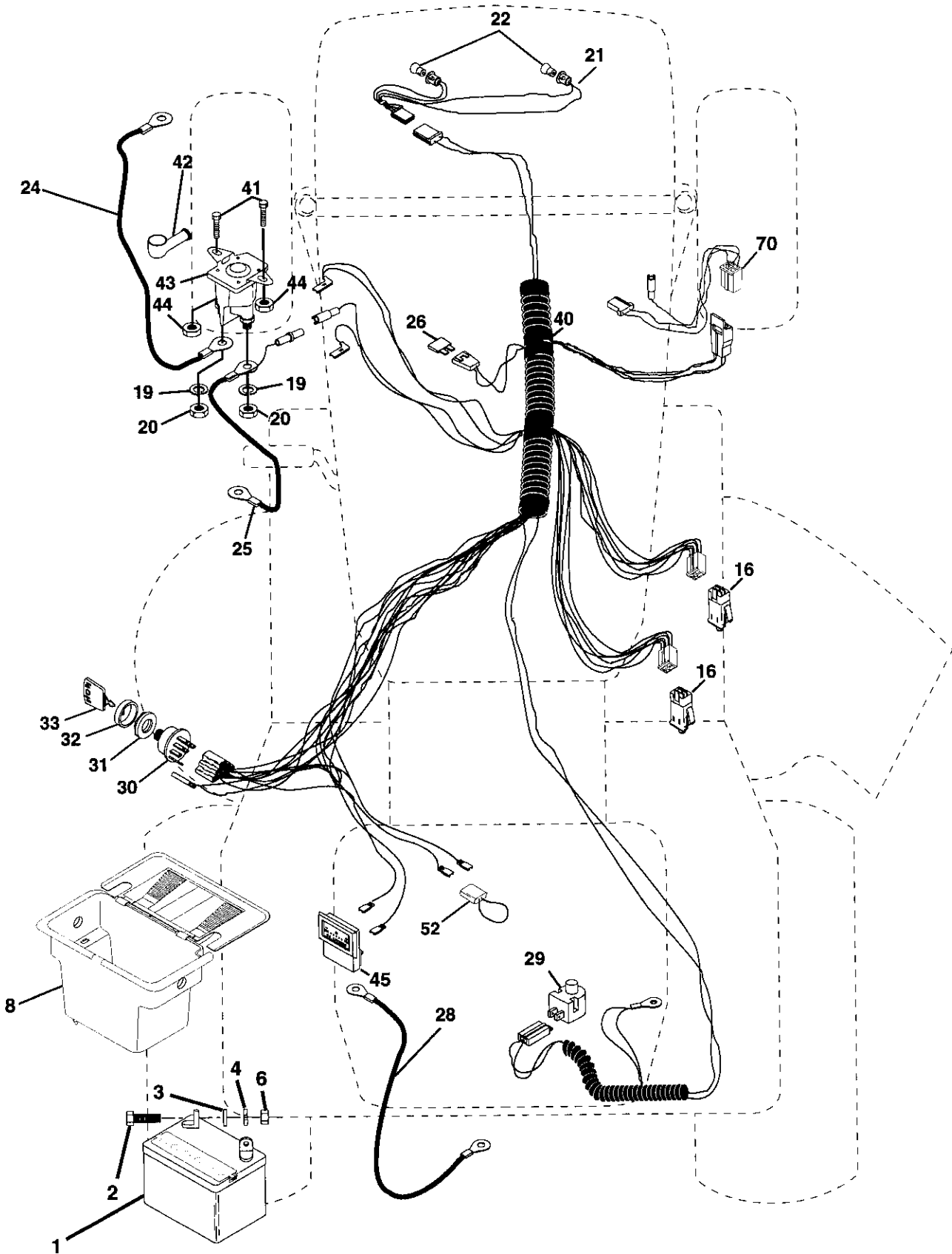


**WIRING INSULATED CLIPS**  
**NOTE:** IF WIRING INSULATED CLIPS WERE REMOVED FOR SERVICING OF UNIT, THEY SHOULD BE REPLACED TO PROPERLY SECURE YOUR WIRING.

# REPAIR PARTS

TRACTOR -- MODEL NUMBER 917.258220

## ELECTRICAL



# REPAIR PARTS

## TRACTOR - - MODEL NUMBER 917.258220

### ELECTRICAL

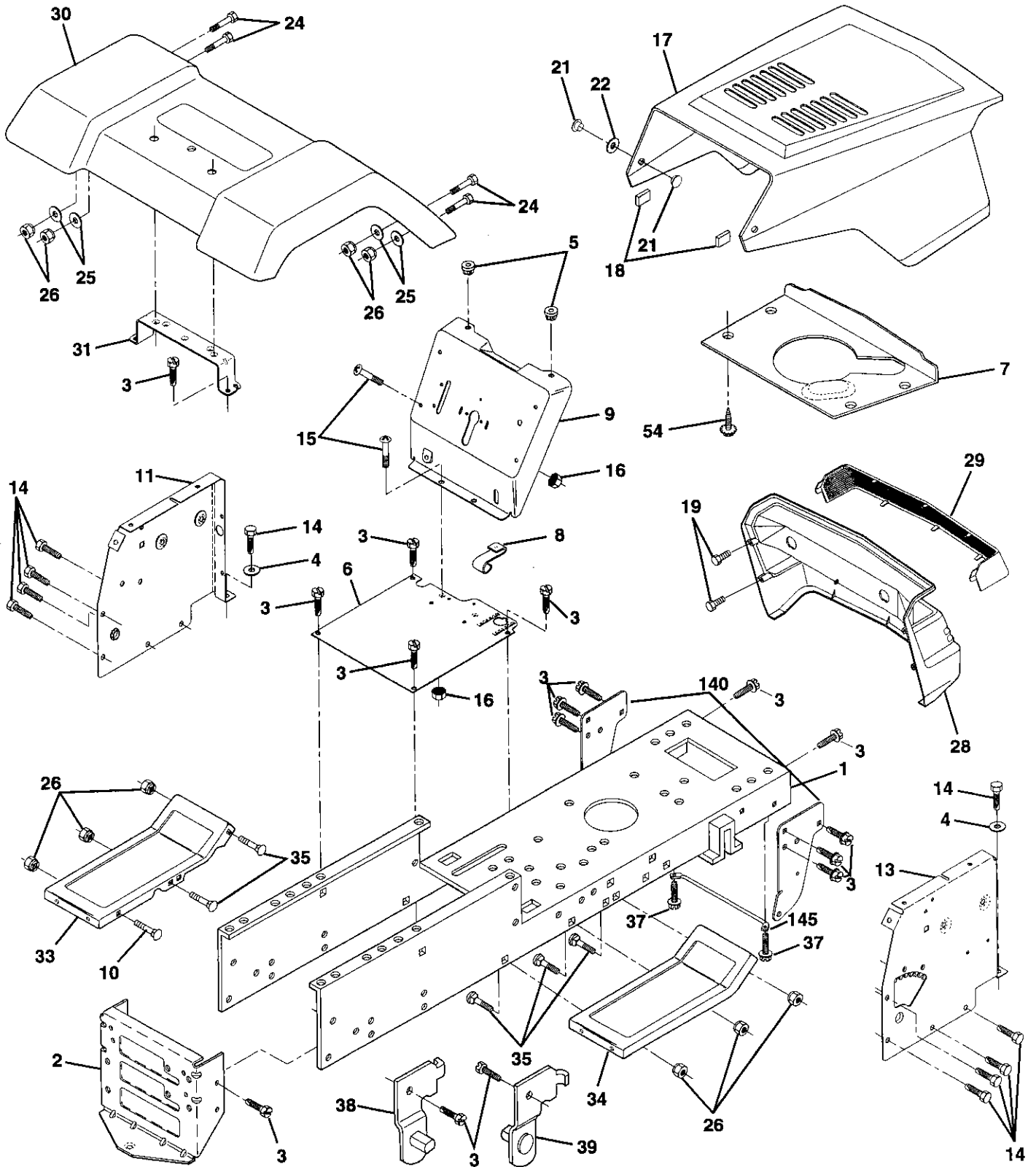
KEY NO.	PART NO.	DESCRIPTION
1	144925	Battery 12 Volt 25 Amp
2	74760412	Bolt, Hex Head 1/4-20 unc x 3/4
3	STD551025	Washer
4	STD551125	Washer
6	STD541025	Nut
8	156417	Case, Battery Mech Hinge
16	153664	Switch, Interlock Push-In
19	STD551125	Washer, Lock
20	73350400	Nut, Hex, Jam 1/4-20 UNC
21	136850	Harness, Light Socket (Includes 4152J)
22	4152J	Bulb, Light
24	4799J	Cable, Battery, 6 Gauge, Red, 11"
25	146147	Cable, Battery, 6 Gauge, Red, W/16 Wire
26	108824X	Fuse, 30 Amp
28	4207J	Cable, Ground, 6 Gauge, Black, 12"
29	121305X	Switch, Plunger
30	140301	Switch, Ignition
31	124211X	Nut, Ignition
32	141226	Cover, Key Switch
33	109310X	Key, Ignition
40	156442	Harness, Ignition
41	71110408	Bolt, Hex Head, Fin. 1/4-20 x 1/2
42	131563	Cover, Terminal, Red
43	145673	Solenoid
44	73640400	Nut Keps Blk Hex 1/4-20 UNC
45	121433X	Ammeter Rectangular 6 Amp
52	141940	Protection Wire Loop
70	140413	Harness Engine B&S

**NOTE:** All component dimensions given in U.S. inches  
1 inch = 25.4 mm

# REPAIR PARTS

TRACTOR - - MODEL NUMBER 917.258220

## CHASSIS AND ENCLOSURES



# REPAIR PARTS

## TRACTOR - - MODEL NUMBER 917.258220

### CHASSIS AND ENCLOSURES

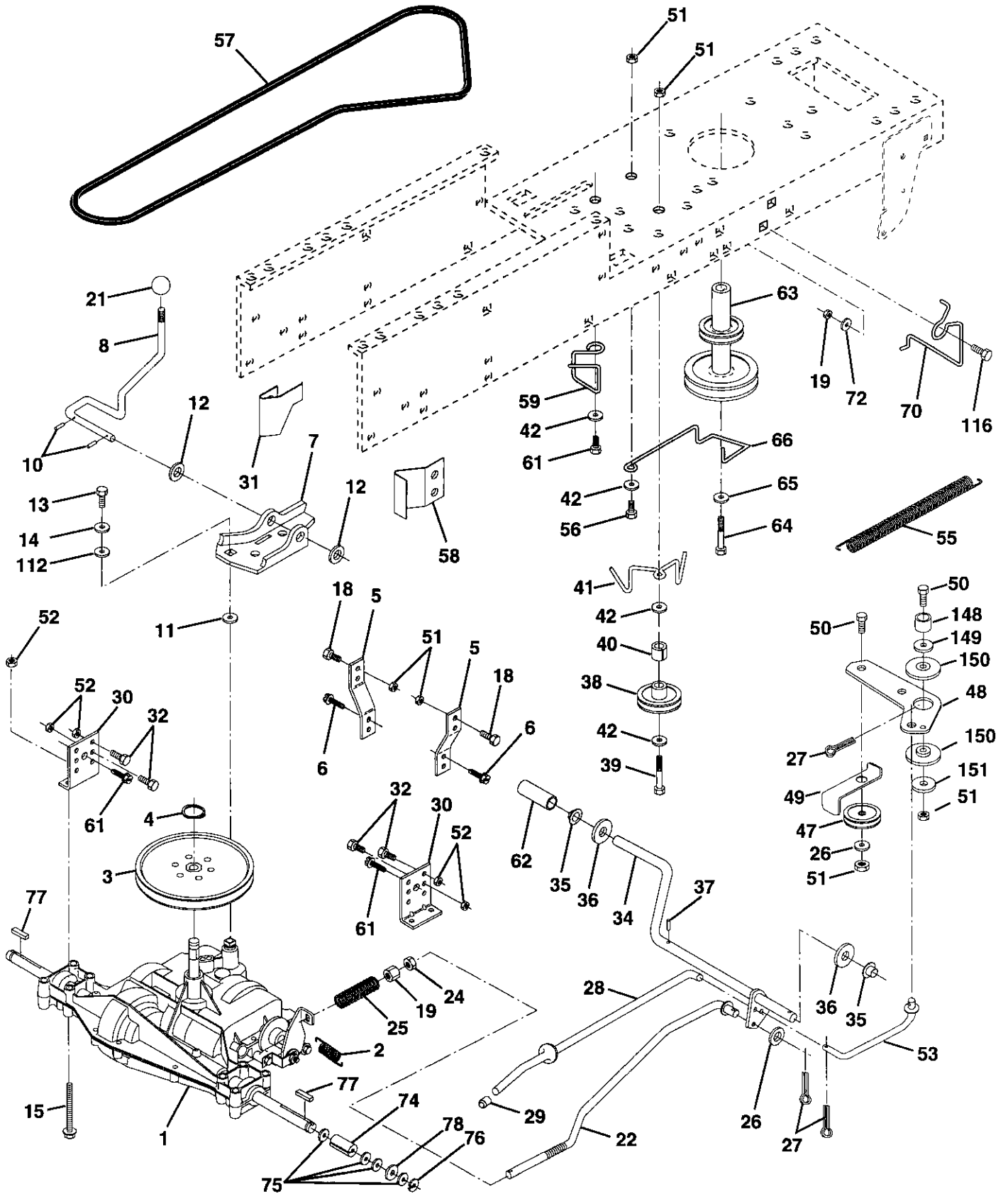
KEY NO.	PART NO.	DESCRIPTION
1	160393	Chassis Asm. LT STMP
2	140356	Drawbar Stretch
3	17490612	Screw Thdrol 3/8-16 x 3/4 Ty-tt
4	STD551025	Washer 13/32 X 3/4 X 16 Ga
5	155272	Bumper Hood/Dash
6	155924X015	Saddle Slkscr Flt LT 6SP Dana
7	126842X	Shield Ht. Hood Lt
8	155138	Clip Retainer Slide-On
9	161914X012	Dash Slkscr 1-pc
10	STD533710	Bolt Rdhd Sqnk 3/8-16unc X 1
11	155927	Panel Dash LH
13	155934X010	Panel Slkscr Dash RH
14	17490608	Screw Thdrol 3/8-16 x 1/2 Ty-tt
15	74180512	Screw Mach TRHD 5/16-18 unc x 3/4
16	STD541431	Nut Keps 5/16-18 Unc
17	154988X558	Hood Asm
18	126938X	Bumper Hood
19	17521312	Screw Sltd Hex Hd W/Pl Washer
21	122933X	Rivet Ratchet Nylon
22	124479X	Washer Nylon Blk 28 x 75 x 19
24	STD523710	Bolt Fin Hex 3/8-16 unc x 1 Gr. 5
25	19131312	Washer 13/32 X 13/16 x 12 Ga
26	STD541437	Nut Hex Lock W/Ins. 3/8-16 Unc
28	140137	Grille Black
29	124029X	Lens Headlight Bar Clear
30	157584X558	Fender Pnt LT W/o Shift
31	136619	Bracket Fender Repl 109873x
33	145244X558	Footrest Pnt Lh
34	145243X558	Footrest Pnt Rh
35	STD533707	Bolt Rdhd Sht Sqnk 3/8-16 x 3/4
37	17490508	Screw Thdrol 5/16-18 x 1/2
38	139886	Bracket Asm Pvt LH MWR Rear
39	139887	Bracket Asm Pvt RH MWR Rear
54	161464	Screw Spiderloc Hex Hd #8 x 7/8
140	158418	Bracket Suspension Front
145	156524	Rod Pivot Chassis/Hood
--	5479J	Plug Button Blk 359 Dia Choke

**NOTE:** All component dimensions given in U.S. inches  
1 inch = 25.4 mm

# REPAIR PARTS

## TRACTOR - - MODEL NUMBER 917.258220

### DRIVE





# REPAIR PARTS

## TRACTOR - - MODEL NUMBER 917.258220

### DRIVE

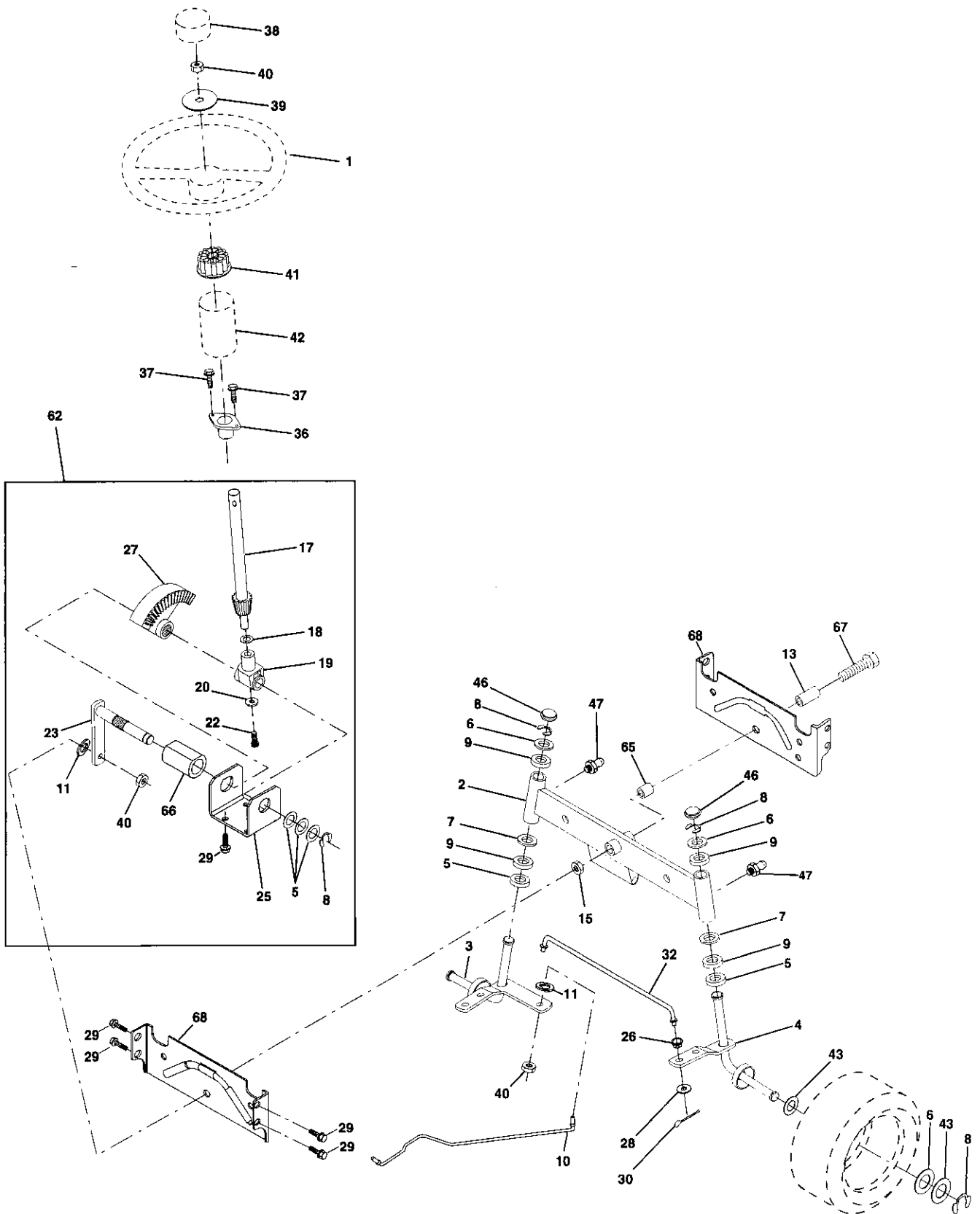
KEY NO.	PART NO.	DESCRIPTION	KEY NO.	PART NO.	DESCRIPTION
1	-----	Transaxle Dana 4360-113 (See Breakdown)	41	154777	Keeper Belt Idler Fool Proof
2	146682	Spring Return Brake T/a Zinc	42	19131312	Washer 13/32 X 13/16 X 12 Ga
3	123666X	Pulley Transaxle 18/20" tires	47	127783	Pulley Idler V Groove Plastic
4	12000028	Ring Retainer # 5100-62	48	154407	Bellcrank Asm. Clutch
5	121520X	Strap Torque 30 Degrees	49	123205X	Retainer Belt Style Spring
6	17490512	Screw Thdrol 5/16-18 X 3/4 TYT	50	STD523715	Bolt Hex Hd 3/8-16unc X 1-1/2
7	162240	Bracket Saddle Shift T/a	51	STD541437	Nut Crownlock 3/8-16 UNC
8	131679	Rod Shf Sdl LY/YT Str Blk Zinc	52	STD541431	Nut Crown Lock 5/16-18
10	STD561210	Pin Cotter 1/8 X 1 Cad	53	105710X	Link Clutch 7 66
11	105701X	Washer Plate Shf 388 Sq Hole	55	105709X	Spring Return Clutch 6 75
12	19151216	Washer 15/32 X 3/4 X 16ga	56	STD523712	Bolt Fin Hex 3/8-16 unc x 1-1/4
13	74550412	Bolt 1/4-28unf Gr8 W/Patch	57	130801	V-Belt Gd Drive 95 25
14	STD551125	Washer Lock Hvy Helical 1/4	58	127274X	Keeper Belt RH LT Pnt/zinc 16g
15	74490544	Bolt Hex FLGHD5/16-18Gr.5	59	140312	Keeper Belt Centerspan
18	STD523710	Bolt Fin Hex 3/8-16 UNC x 1 Gr. 5	61	17490612	Screw Thdrol 3/8-16x3/4 Ty-tt
19	STD541437	Nut Lock Hex W/Ins. 3/8-16 Unc	62	8883R	Cover Pedal Blk Round
21	106933X	Knob Rd 1/2-13 Plstc Thds Blk	63	140186	Pulley Eng Cl Mech 38deg LT/YT
22	130804	Rod Brake Blk Zinc 26 840	64	71170764	Bolt Hex 7/16-20x4 Gr 5
24	STD541237	Nut Hex Jam 3/8-16 Unc	65	STD551143	Washer Lock Hvy Hlcl Spr 7/16
25	106888X	Spring Rod Brake 2 00 Zinc	66	154778	Keeper Belt Engine Fool Proof
26	STD551037	Washer 13/32 X 13/16 X 16 Ga	70	134683	Guide Belt Mower Drive RH
27	STD561210	Pin Cotter 1/8 X 3/4 Cad	72	19132012	Washer 13/32 X 1-1/4 X 12 Ga
28	145204	Rod Brake Parking Lt/Yt	74	109502X	Spacer Axle
29	124236X	Cap Brake Parking Red	75	121749X	Washer 25/32 X 1 1/4 X 16 Ga
30	130807	Bracket Mtg Transaxle	76	STD581075	E-ring #5133-75
31	127275X	Keeper Belt LH LT 14 Ga	77	123583X	Key Square 2 0 X 1845/ 1865
32	STD523107	Bolt Hex Hd 5/16-18unc X 3/4	78	121748X	Washer 25/32 X 1-5/8 X 16ga
34	155071	Shaft Asm Pedal Foot LT/STLT	112	19091210	Washer 9/32 X 3/4 X 10 Ga
35	120183X	Bearing Nylon Blk 629 Id	116	72110610	Bolt Rdhd Sq Neck 3/8-16 x 1.25
36	STD551062	Washer 21/32 X 1 X 16 Ga	148	159103	Spacer
37	1572H	Pin Roll 3/16 X 1"	149	122052X	Spacer, Retainer Pm
38	123674X	Pulley Idler Flat	150	150935	Bushing, Nylon Collered
39	STD523727	Bolt Fin Hex 3/8-16unc X 2-3/4	151	19133210	Washer 13/32 x 2 x 10 Ga.
40	4470J	Spacer Split 395 X 59 Bzp			

**NOTE:** All component dimensions given in U.S. inches.  
1 inch = 25.4 mm

# REPAIR PARTS

TRACTOR - - MODEL NUMBER 917.258220

## STEERING ASSEMBLY



# REPAIR PARTS

## TRACTOR - - MODEL NUMBER 917.258220

### STEERING ASSEMBLY

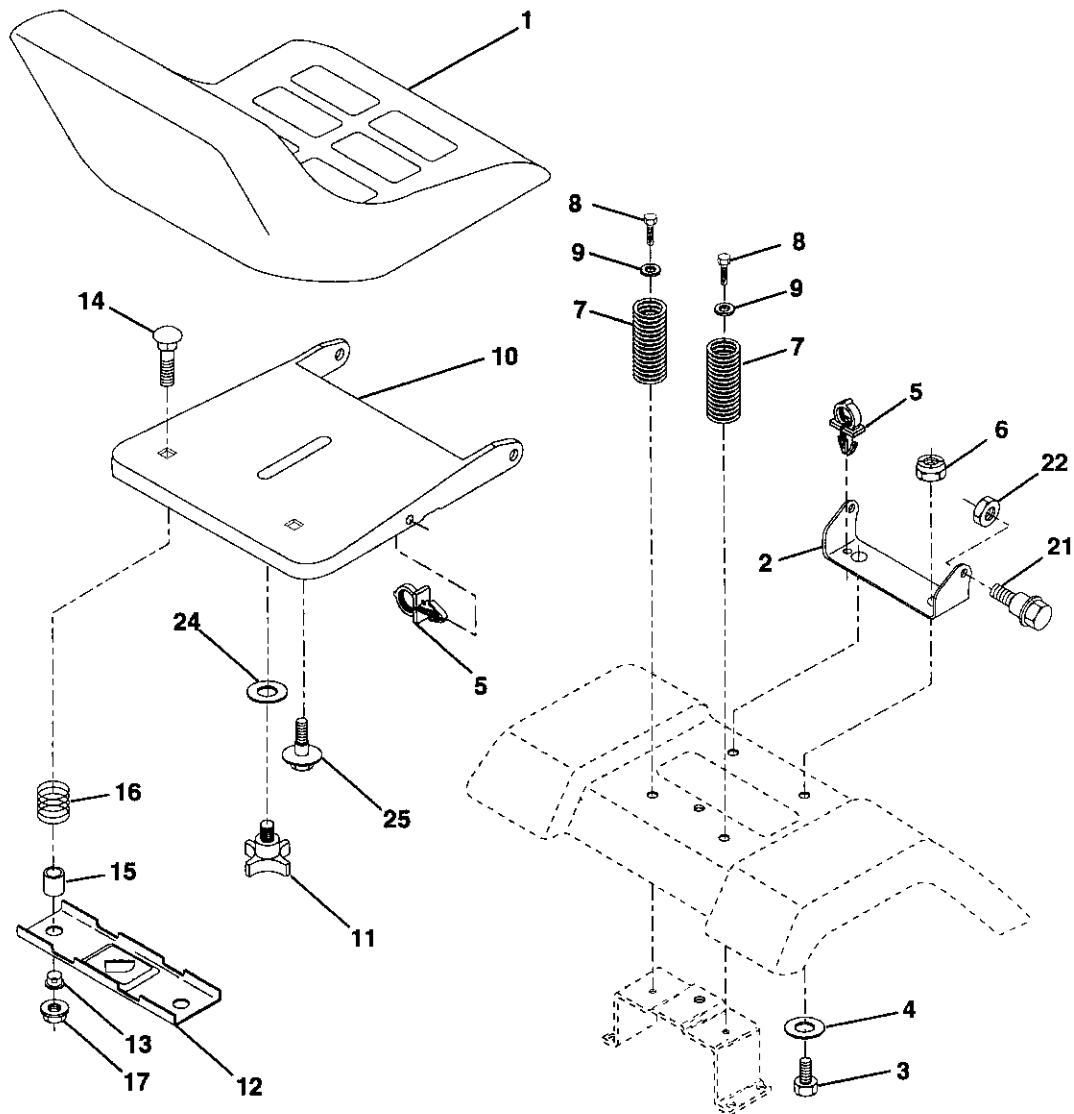
KEY NO.	PART NO.	DESCRIPTION
1	139768	Steering Wheel
2	154427	Axle Assembly STMP Dropped STL
3	156483	Spindle Assembly, L.H.
4	157473	Spindle Assembly, R.H.
5	6266H	Bearing, Race, Thrust, Hardened
6	121748X	Washer 25/32 x 1-5/8 x 16 Gauge
7	19272016	Washer 27/32 x 1-1/4 x 16 Gauge
8	12000029	Ring, Klip
9	3366R	Bearing, Steering Column
10	156438	Draglink Extended Stamped
11	STD551137	Washer, Lock
13	154779	Bearing Axle STLT/GT
15	73901000	Nut, Lock, Flange 5/8-11 UNC
17	156545	Shaft Assembly, Steering
18	57079	Washer, Thrust .515 x .750 x .033
19	124035X	Support, Shaft
20	126684X	Washer, Shim 1/4 x 5/8 x .062
22	71200410	Screw, Hex Socket 1/4-20 x 5/8
23	127501	Pittman Shaft Assembly
25	154406	Bracket, Steering
26	126847X	Bushing, Link, Drag
27	136874	Gear, Sector
28	19131416	Washer 13/32 x 7/8 x 16 Gauge
29	17490612	Screw, Thd., Roll. 3/8-16 x 3/4
30	STD561210	Pin
32	130465	Rod, Tie
36	155099	Bushing, Steering
37	152927	Screw
38	139769	Insert, Steering Wheel
39	19133808	Washer 13/32 x 2-3/8 x 8 Gauge
40	STD541537	Gripco Nut
41	104820X	Adaptor, Steering Wheel
42	124417X	Boot, Steering Shaft
43	121749X	Washer 25/32 x 1-1/4 x 16 Gauge
46	121232X	Cap, Spindle
47	6855M	Fitting, Grease
62	156593	Kit Steering Asm Service
65	154780	Spacer Axle
66	154404	Bearing Arm Pittman
67	74781044	Bolt, Fin Hex 5/8-11 UNC x 2-3/4
68	154429	Axle, Brace

**NOTE:** All component dimensions given in U.S. inches  
1 inch = 25.4 mm

# REPAIR PARTS

## TRACTOR - - MODEL NUMBER 917.258220

### SEAT ASSEMBLY



KEY NO.	PART NO.	DESCRIPTION
1	140122	Seat
2	140551	Bracket Pvt St
3	STD523710	Bolt Fin Hex 3/8-16unc X 1
4	19131610	Washer Flat 13/32 X 1 X 10 Ga
5	145006	Clip Push-In Hinged
6	STD541437	Locknut Hex W/Wsh 3/8-16
7	124181X	Spring Seat Cprsn 2 250 Blk Zi
8	17490616	Screw Thdrol 3/8-16 X 1 Ty-tt
9	19131614	Washer 13/32 X 1 X 14 Ga
10	155925	Pan Seat
11	120068	Knob Seat 1/2-13
12	121246X	Bracket Mounting Switch

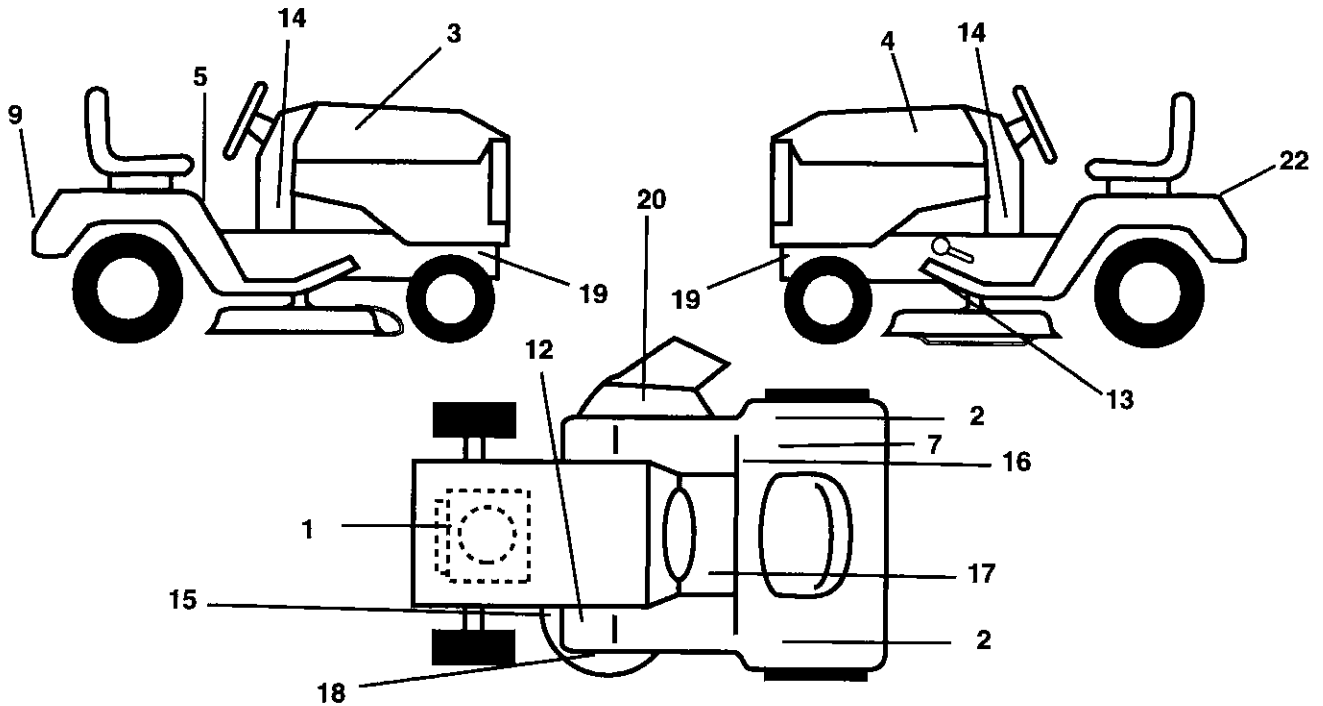
KEY NO.	PART NO.	DESCRIPTION
13	121248X	Bushing Snap Blk Nyl 50 Id
14	72050412	Bolt Rdhd Sht Nk 1/4-20x1-1/2
15	134300	Spacer Split 28x 96 Yel Zinc
16	121250X	Spring Cprsn 1 27 Blk Pnt
17	123976X	Nut Lock 1/4 Lge Flg Gr 5 Zinc
21	153236	Bolt Shld 5/16-18 Unc
22	STD541431	Nut Lock Hex "W/Ins 5/16-18
24	19171912	Washer 17/32 X 1-3/16 X 12 Ga
25	127018X	Bolt Shoulder 5/16-18 X 62

**NOTE:** All component dimensions given in U.S. inches  
1 inch = 25.4 mm

# REPAIR PARTS

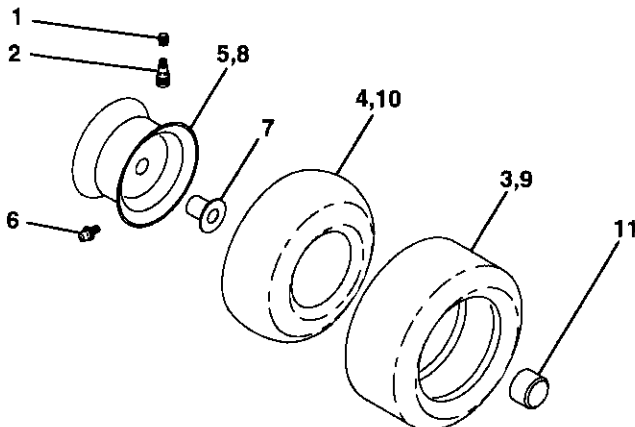
## TRACTOR - - MODEL NUMBER 917.258220

### DECALS



KEY NO.	PART NO.	DESCRIPTION	KEY NO.	PART NO.	DESCRIPTION
1	273297	Decal, Engine	18	133179	Decal, Mower Qc System
2	163209	Decal, Fender	19	159736	Decal, Chassis Hot Muffler
3	163990	Decal, Hood RH Crafts Slp LT	20	145494	Decal, Mower Cutfinger Symbol
4	163991	Decal, Hood LH Crafts Slp LT	22	145005	Decal, Bat Dan/Poi P/L Sym
5	145498	Decal, Read Owners Manual	--	157199	Pad Footrest
7	126187X	Decal, Dba	--	162598	Decal, Drawbar Load Limit
9	163204	Decal, Fender Craftsman White	--	138311	Decal, Handle Lft Height Adjust
12	159737	Decal, Clutch/brake English	--	164460	Manual Oper Euro
13	146046	Decal, V-Belt Dr Sch Tractor	--	164461	Manual Oper Scan
14	163248	Decal, Panel Dash	--	164462	Manual Parts
15	160396	Decal, V-Belt Sch			
16	145437	Decal, Europe Stand CE			
17	140837	Decal, Saddle Brake Parking			

### WHEELS & TIRES



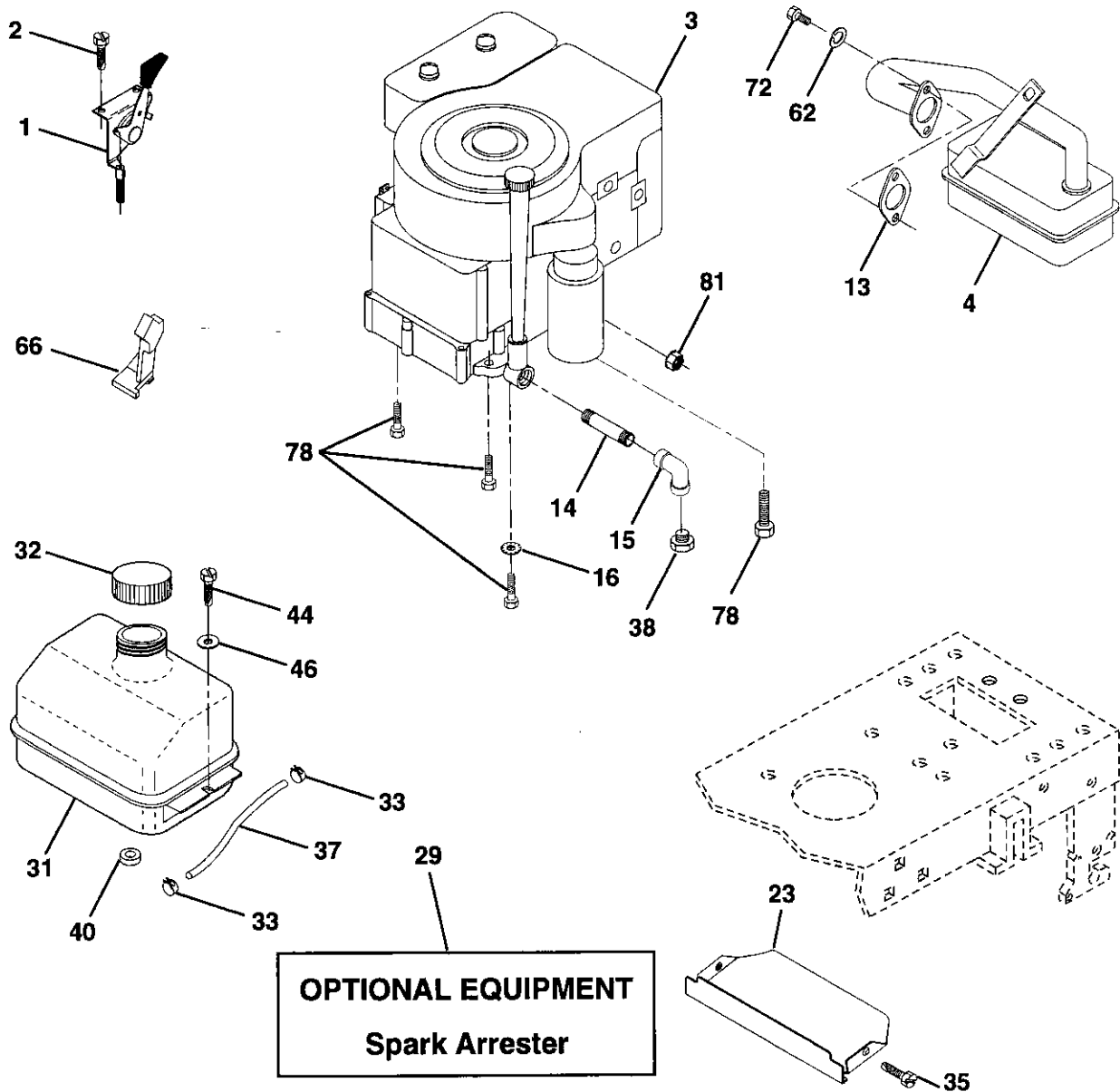
KEY NO.	PART NO.	DESCRIPTION
1	59192	Cap Valve Tire
2	65139	Stem Valve
3	106222X	Tire F Ts 15 X 6 0 - 6 Service
4	59904	Tube Front (Service Item Only)
5	106732X427	Rim Asm 6" f ront White Service
6	278H	Fitting Grease (Front Wheel Only)
7	9040H	Bearing Flange (Front Wheel Only)
8	106108X427	Rim Asm 8" rear White Service
9	124635X	Tire R Ts 18x8 5-8 C Service
10	7152J	Tube Rear (Service Item Only)
11	104757X	Cap Hub Axle Blk 1 50 X 1 00
--	144334	Sealant, Tire (10 oz. Tube)

**NOTE:** All component dimensions given in U.S. inches  
1 inch = 25.4 mm

# REPAIR PARTS

## TRACTOR - - MODEL NUMBER 917.258220

### ENGINE



KEY NO.	PART NO.	DESCRIPTION
1	162155	Control Th/ch RH Blk Pdl 15 10
2	17720410	Screw Hex Thd Cut 1/4-20x5/8 T
3	-----	Engine B&S (See Breakdown) Model No 28R707-1140-E1
4	137348	Muffler LT B&S 12/12 5/13 HP
13	272293	Gasket Eng 1 313 Id Tin Plated
14	13280324	Nipple Pipe 3/8 Npt x 3"
15	13200300	Elbow Std 90 Degree 3/8-18 Npt
16	STD551237	Washer Lock Ext Tooth 3/8
23	159880	Shield Browning
29	137180	Kit Spark Arrestor (Flat Scrn)
31	109202X	Tank Fuel Front 1 25
32	158990	Cap Asm Fuel W/sym Vented
33	123487X	Clamp Hose Blk
35	17490512	Screw Thdrol 5/16-18 x 3/4 TYT

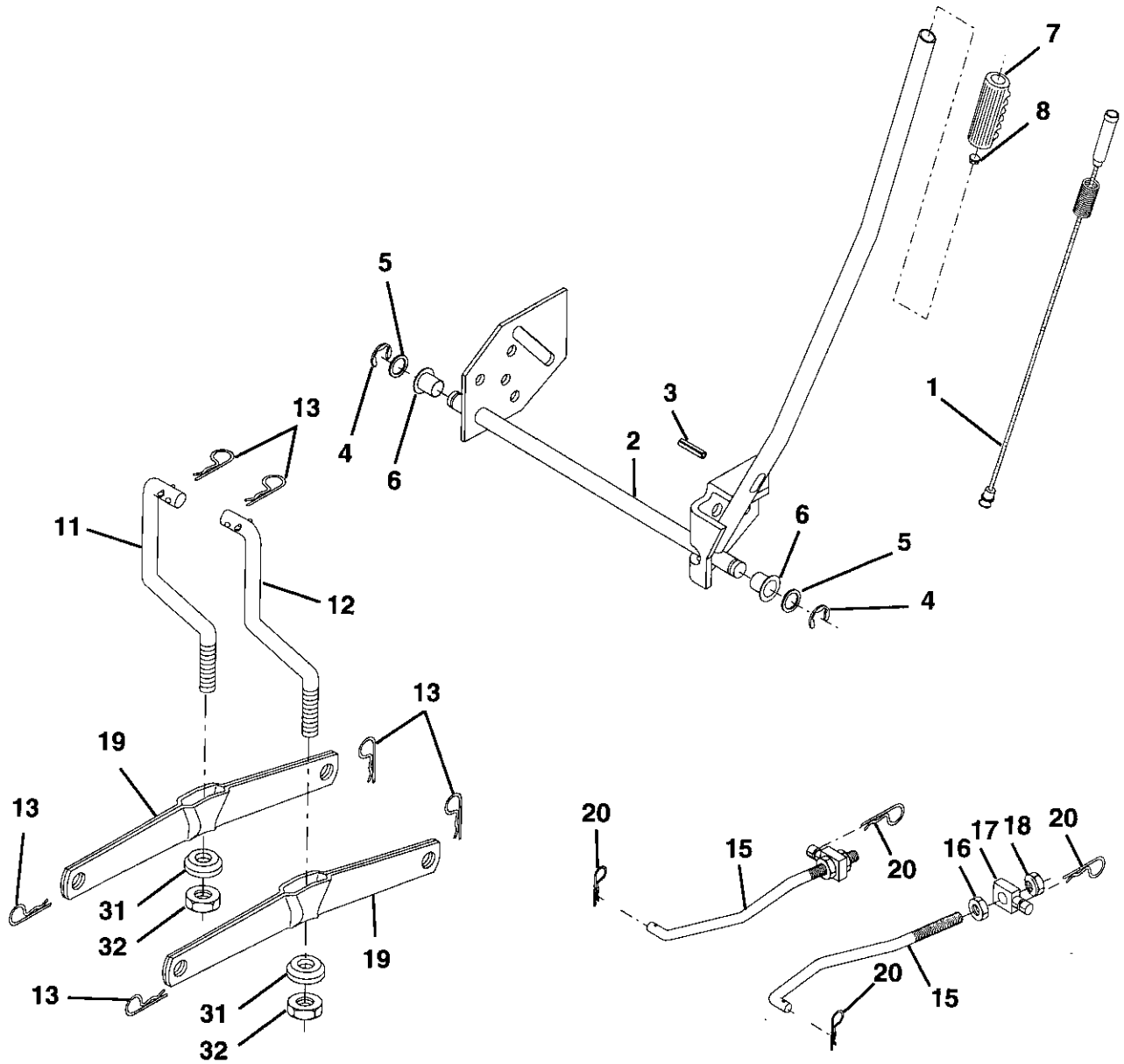
KEY NO.	PART NO.	DESCRIPTION
37	137040	Line Fuel 20"
38	-----	Plug Oil Drain (Order From Engine Manufacturer)
40	124028X	Bushing Snap Nyl Blk Fuel Line
44	17490412	Screw Hexwsh Thdrol 1/4-20 x 3/4
46	19091416	Washer 9/32 x 7/8 x 16 ga
62	STD551131	Washer Lock Hvy Hlcl Spr 5/16
66	127951	Stop Throttle
72	71070512	Screw Hex Hd Cap 5/16-18 X 3/4
78	17490620	Screw Thdrol 3/8-16x1-1/4 TYTT
81	128861	Nut Flange 1/4-20 Starter Nut

**NOTE:** All component dimensions given in U.S. inches  
1 inch = 25.4 mm

# REPAIR PARTS

## TRACTOR - - MODEL NUMBER 917.258220

### LIFT



KEY NO.	PART NO.	DESCRIPTION
1	159460	Wire Asm Inner W/plunger
2	159474	Shaft Asm Lift
3	105767X	Pin Groove 1 500 Zinc
4	12000002	E Ring #5133-62
5	19211621	Washer Pltd 21/32 X 1 X 21ga
6	120183X	Bearing Nylon Blk 629 Id
7	125631X	Grip Handle Fluted Blk
8	122365X	Button Plunger Red
11	139865	Link Lift LH
12	139866	Link Lift RH

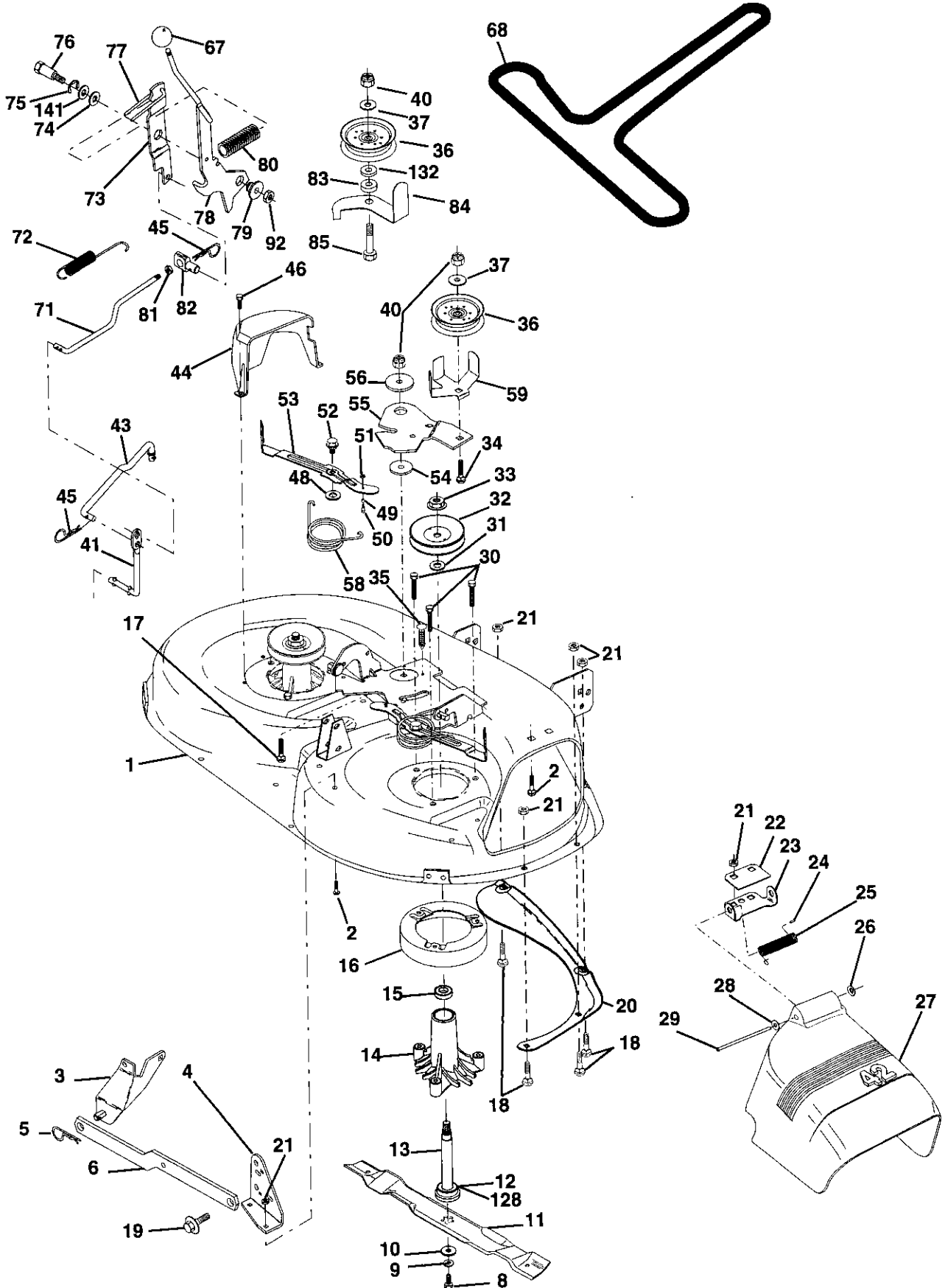
KEY NO.	PART NO.	DESCRIPTION
13	STD624008	Retainer Spring
15	127218	Link Front
16	73350800	Nut Jam Hex 1/2-13 Unc
17	130171	Trunnion Blk Zinc
18	73800800	Nut Lock W/wsh 1/2-13unc
19	139868	Arm Suspension Rear
20	163552	Retainer Spring
31	140302	Bearing Pvt Lift Spherical
32	73540600	Nut Crownlock 3/8-24

**NOTE:** All component dimensions given in U.S. inches  
1 inch = 25.4 mm

# REPAIR PARTS

TRACTOR -- MODEL NUMBER 917.258220

## MOWER DECK





# REPAIR PARTS

## TRACTOR - - MODEL NUMBER 917.258220

### MOWER DECK

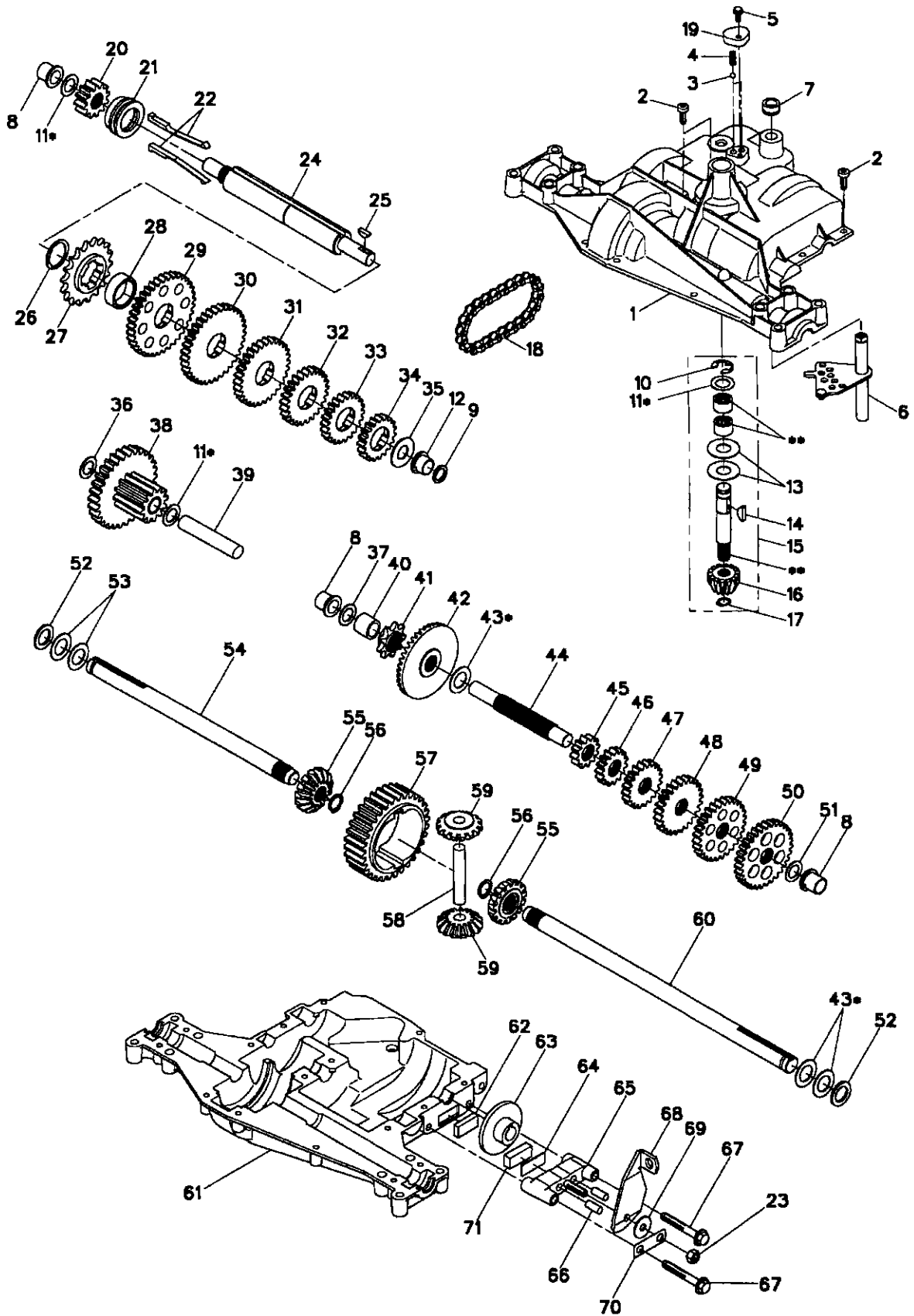
KEY NO.	PART NO.	DESCRIPTION	KEY NO.	PART NO.	DESCRIPTION
1	144393	Mower Housing	46	137729	Screw, Thd. Roll 1/4-20 x 5/8
2	STD533107	Bolt	48	133944	Washer, Hardened
3	138017	Bracket Assembly, Sway Bar, Front	49	155066	Roller Assembly, Cam Follower
4	138440	Bracket Assembly, Sway Bar	50	131340	Bolt, Shoulder #10-24 Grade 5
5	STD624008	Retainer Spring	51	STD541410	Locknut
6	130832	Arm, Suspension, Rear	52	139888	Bolt, Shoulder 5/16-18 UNC
8	850857	Bolt, Hex 3/8-24 x 1.25 Grade 8	53	131845	Arm Assembly, Pad, Brake
9	STD551137	Washer, Lock	54	133943	Washer, Hardened
10	140296	Washer, Hardened	55	155046	Arm, Idler
11	134149	Blade, Mulching	56	122052X	Spacer, Retainer
12	129895	Bearing, Ball	58	140086	Spring, Torsion Brakes 42"
13	137645	Shaft Assembly, Mandrel, Vented (Includes Key Number 6)	59	141043	Guard, Tuv Idler (94)
14	128774	Housing, Mandrel, Vented	67	162113	Knob, Custom Oval
15	110485X	Bearing, Ball, Mandrel	68	144200	V-Belt
16	140329	Stripper, Vented Mower Deck	71	142427	Rod, Clutch, Primary, with Nibs
17	72110610	Bolt, Carriage 3/8-16 x 2-1/4	72	131870	Spring, Return
18	72140505	Bolt, Carriage 5/16-18 x 5/8	73	127847	Arm, Clutch, Secondary
19	132827	Bolt, Shoulder	74	121748X	Washer 25/32 x 1-5/8 x 16 Gauge
20	159770	Baffle, Vortex	75	12000029	Ring, Klip
21	STD541431	Nut, Crownlock 5/16-18 UNC	76	128903	Bolt, Shoulder 3/8-16 UNC x 1.44
22	134753	Stiffener Bracket	77	127845	Keeper, Spring
23	131267	Bracket, Deflector	78	160571	Arm, Clutch, Primary
24	105304X	Cap, Sleeve	79	127498	Bushing, Large, Brass
25	123713X	Spring, Torsion, Deflector	80	153701	Spring, Mower Clutch
26	110452X	Nut, Push	81	73350600	Nut, Hex Jam 3/8-16 UNC
27	130968	Shield, Deflector	82	142028	Trunnion Adj. 94
28	19111016	Washer 11/32 x 5/8 x 16 Gauge	83	120958X	Washer, Sintered
29	131491	Rod, Hinge	84	156084	Keeper, Belt Idler
30	157722	Screw Thdrol Hex Head Zinc Mwr	85	72140618	Bolt Rdhd Sq 3/8-16unc x 2-1/4
31	129963	Washer, Spacer	92	STD541437	Locknut, Hex W/Wsh 3/8-16 UNC
32	153535	Pulley, Mandrel	128	153390	Washer Felt
33	137266	Nut, Toplock, Flanged	132	19132203	Spacer, Washer 13/32 I.D. x 1-3/8 O.D. x 1/4
34	STD533717	Bolt	141	6266H	Washer Thrust .75 x 1.230
35	133835	Fastner, Christmas Tree	--	130794	Mandrel Assembly (Includes Key Numbers 8-10, 12-15, 31 and 32)
36	131494	Pulley, Idler, Flat	--	145411	Mower Deck, Complete
37	STD551037	Washer 13/32 x 13/16 x 16 Ga.	Available Mulcher Plate Kit not included with tractor:		
40	STD541437	Nut, Crownlock 3/8-16 UNC	--	141112	Mulcher Close-out Plate Kit
41	133551	Rod, Pivot, with Nibs			
43	140083	Rod, Clutch, Secondary, with Nibs			
44	140088	Guard, Mandrel, L.H.			
45	STD624003	Retainer			

**NOTE:** All component dimensions given in U.S. inches  
1 inch = 25.4 mm.

# REPAIR PARTS

TRACTOR - - MODEL NUMBER 917.258220

DANA TRANSAXLE - MODEL NUMBER 4360-113



# REPAIR PARTS

## TRACTOR - - MODEL NUMBER 917.258220

### DANA TRANSAXLE - MODEL NUMBER 4360-113

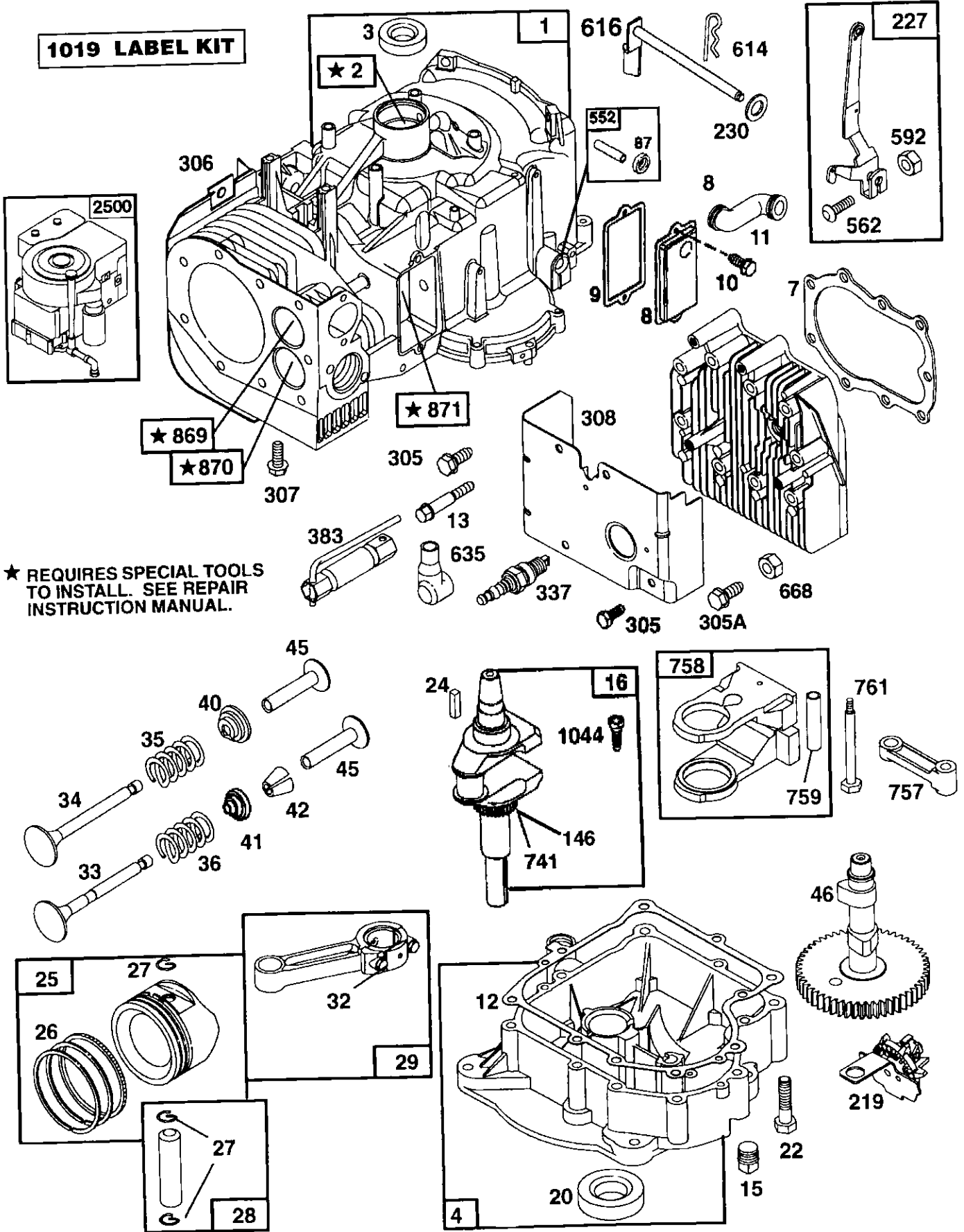
KEY PART NO. NO.	DESCRIPTION	KEY PART NO. NO.	DESCRIPTION
1 160939	Housing, Upper	40 120472X	Spacer, .633 X .87 X .755
2 2274J	Screw, Tapping, 1/4-20 X .734	41 105928X	Sprocket, 9T
3 134400	Ball, Detent	42 110084X	Gear, Bevel, 42T
4 105904X	Spring, Detent	43 134394	* Assy, Kit, Shim, .750 Shaft
5 160940	Screw, Tapping, No. 10-24 X .482	44 120473X	Shaft, Drive
6 138235	Assy, Shifter	45 142678	Gear, Spur, 12T
7 108727X	V-Ring	46 143697	Gear, Spur, 15T
8 148266	Bearing, Flange	47 124641X	Gear, Spur, 20T
9 148269	Seal, Oil	48 106589X	Gear, Spur, 25T
10 2225J	Ring, Retaining	49 120408X	Gear, Spur, 28T
11 134793	* Assy, Kit, Shim, .625 Shaft	50 105937X	Gear, Spur, 31T
12 148268	Bearing, Flange	51 2226J	Washer, Plain, .632 X 1.00 X .060
13 120415X	Washer, Plain, .632 X 1.38 X .046	52 134401	Washer, Neoprene
14 142674	Key, Woodruff, No. 9	53 2264J	Washer, Plain, .758X 1.25X .031
15 138234	Assy, Kit, Input Shaft	54 160946	Axle, LH
16 110078X	Pinion, Bevel, 14T	55 110081X	Gear, Miter, 15T
17 105909X	Ring, Retaining	56 160948	Ring, Retaining
18 105910X	Chain, 24 Pitches	57 110071X	Gear, Spur, 32T
19 160942	Cover, Detent	58 120952X	Shaft, Cross
20 160943	Gear, Spur, 12T	59 110082X	Gear, Miter, 15T
21 148267	Collar, Clutch	60 160950	Axle, RH
22 138236	Assy, Kit, Clutch Keys	61 142680	Housing, Lower
23 73810500	Nut, Lock, 5/16-24	62 120961X	Puck, Friction
24 142676	Shaft, Intermediate	63 7294J	Disc, Brake
25 2244J	Key, Woodruff, No. 61	64 108989X	Spacer, Brake Puck
26 105916X	Ring, Retaining	65 160952	Jaw, Brake
27 120470X	Sprocket, 18T	66 120954X	Pin, Dowel
28 110070X	Spacer, 1.131 X 1.45 X .494	67 160953	Screw, Tapping, 5/16-18 X 2.35
29 142677	Gear, Spur, 37T	68 138244	Lever, Actuating
30 142681	Gear, Spur, 35T	69 108996X	Washer, Plain, .321 X 1.00 X .055
31 124644X	Gear, Spur, 30T	70 160954	Bracket, Anti-Rotation
32 108980X	Gear, Spur, 25T	71 120951X	Puck, Friction
33 120406X	Gear, Spur, 22T	72 120416X	Grease
34 134796	Gear, Spur 19T		
35 105925X	Washer, Plain, .640 X 1.37 X .061		
36 2228J	Washer, Plain, .632 X 1.00 X .046		
37 2231J	Washer, Plain, .632 X 1.00 X .031		
38 160944	Assy, Gear, Comb., 12T & 30T		
39 124639X	Shaft, Idler		

**NOTE:** All component dimensions given in U.S. inches  
1 inch = 25.4 mm

# REPAIR PARTS

TRACTOR - - MODEL NUMBER 917.258220

BRIGGS & STRATTON ENGINE - MODEL NUMBER 28R707, TYPE NUMBER 1140-E1

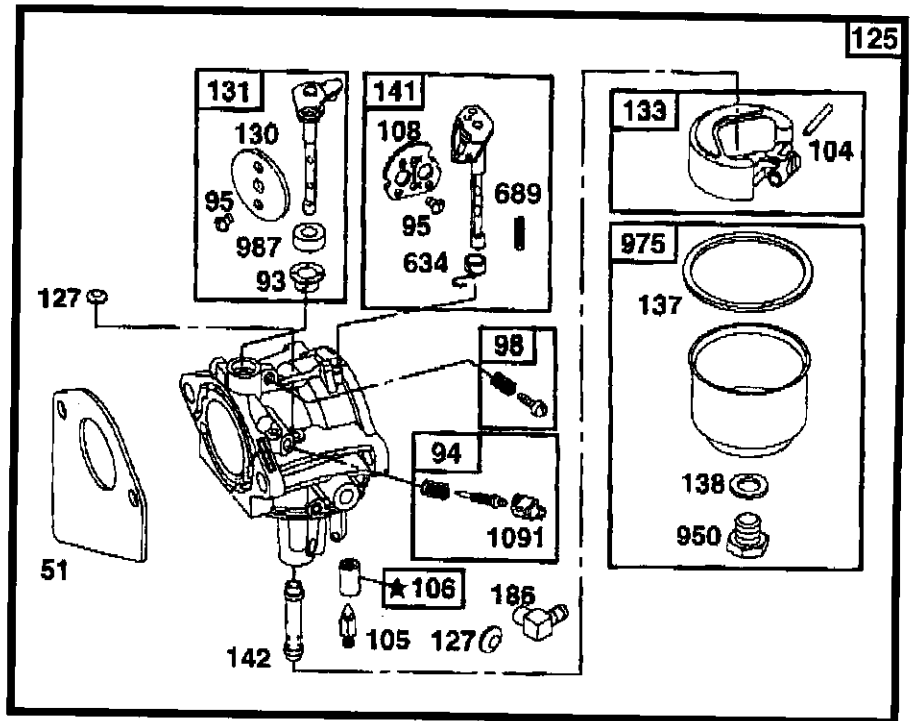
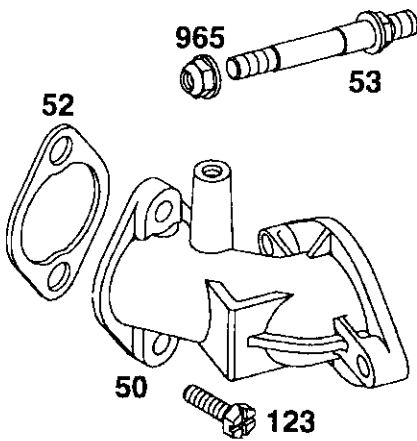


★ REQUIRES SPECIAL TOOLS TO INSTALL. SEE REPAIR INSTRUCTION MANUAL.

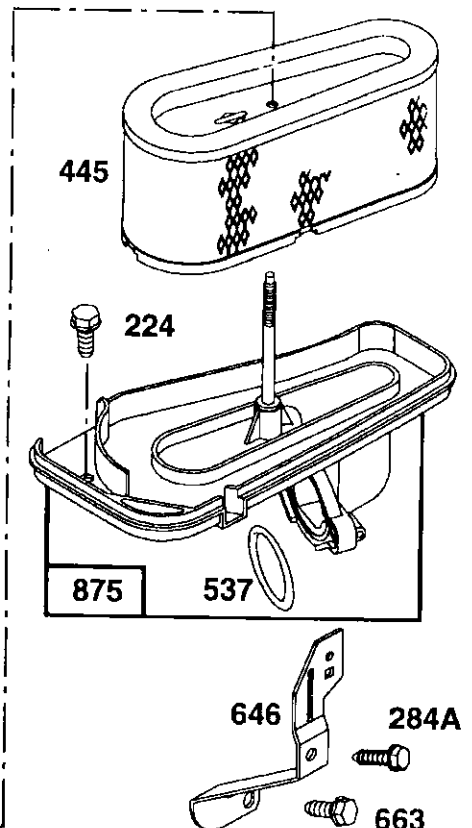
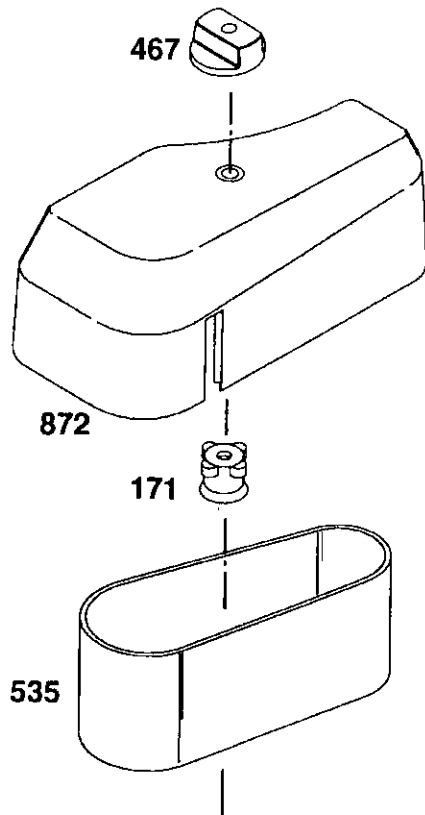
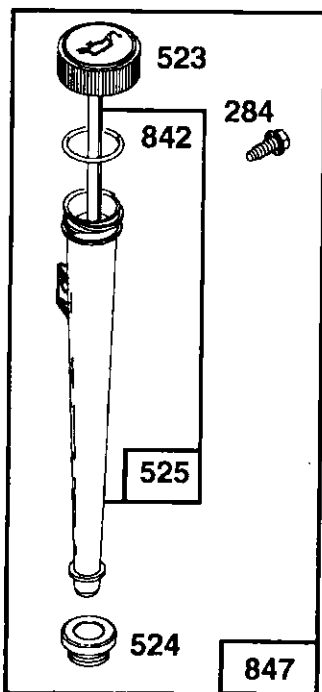
# REPAIR PARTS

TRACTOR - - MODEL NUMBER 917.258220

BRIGGS & STRATTON ENGINE - MODEL NUMBER 28R707, TYPE NUMBER 1140-E1



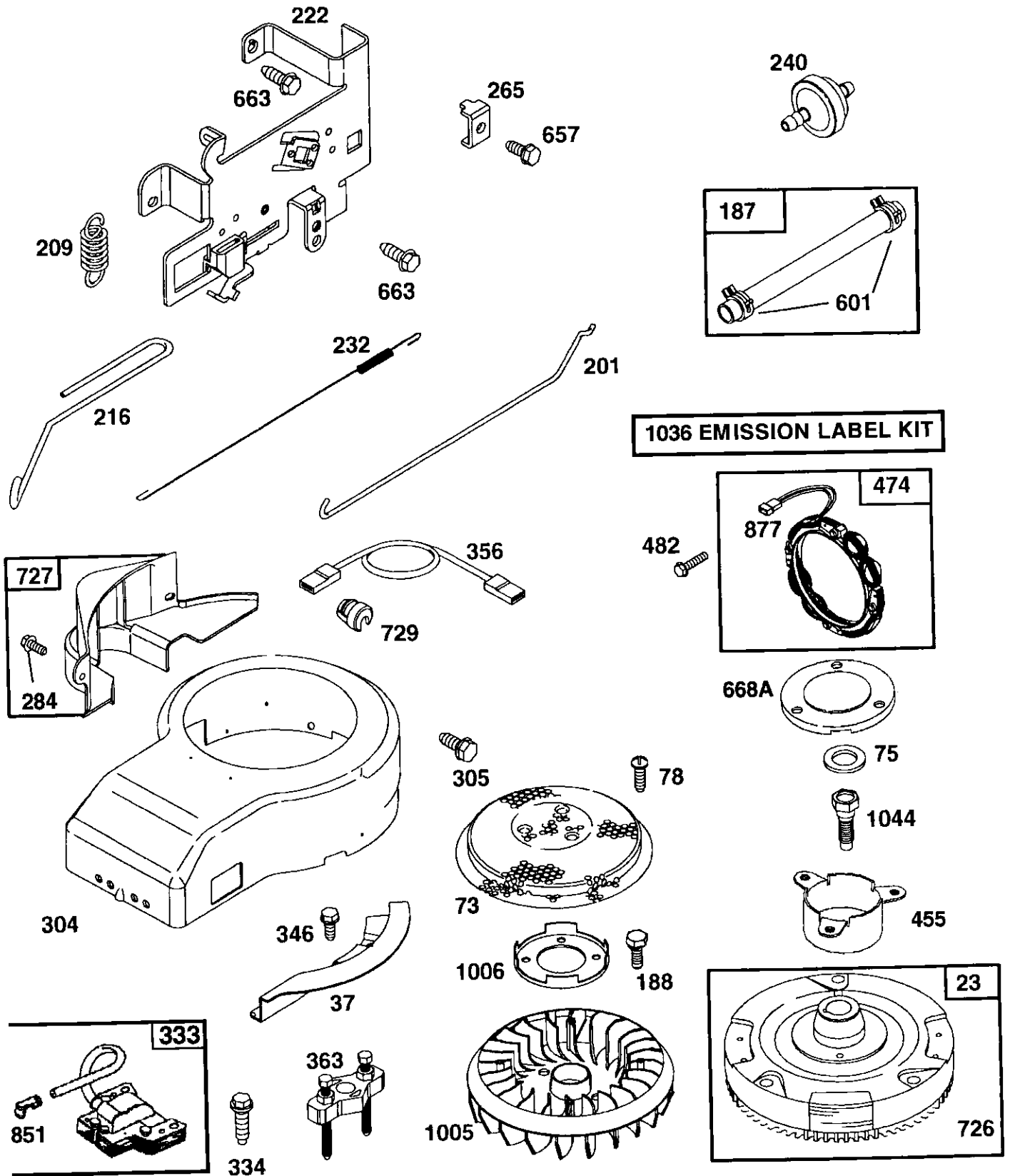
★ REQUIRES SPECIAL TOOLS TO INSTALL. SEE REPAIR INSTRUCTION MANUAL.



# REPAIR PARTS

TRACTOR - - MODEL NUMBER 917.258220

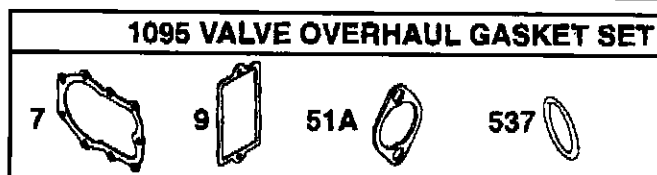
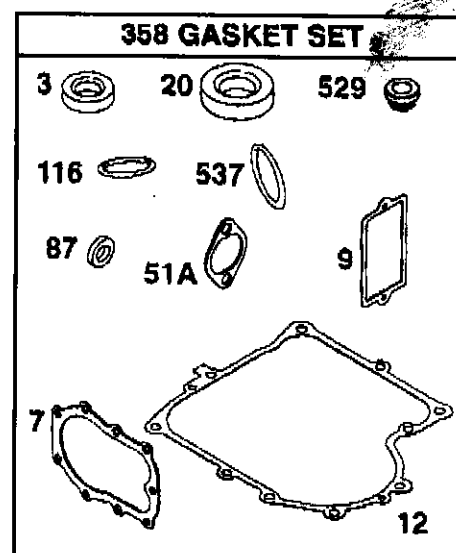
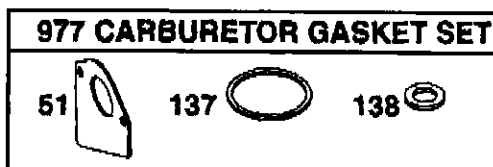
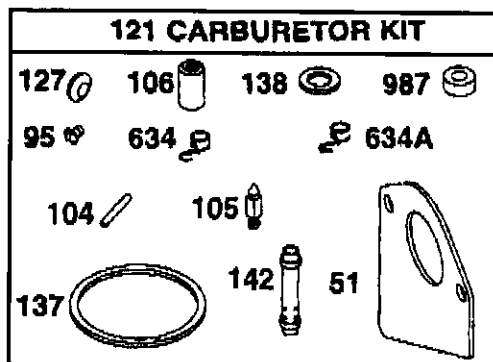
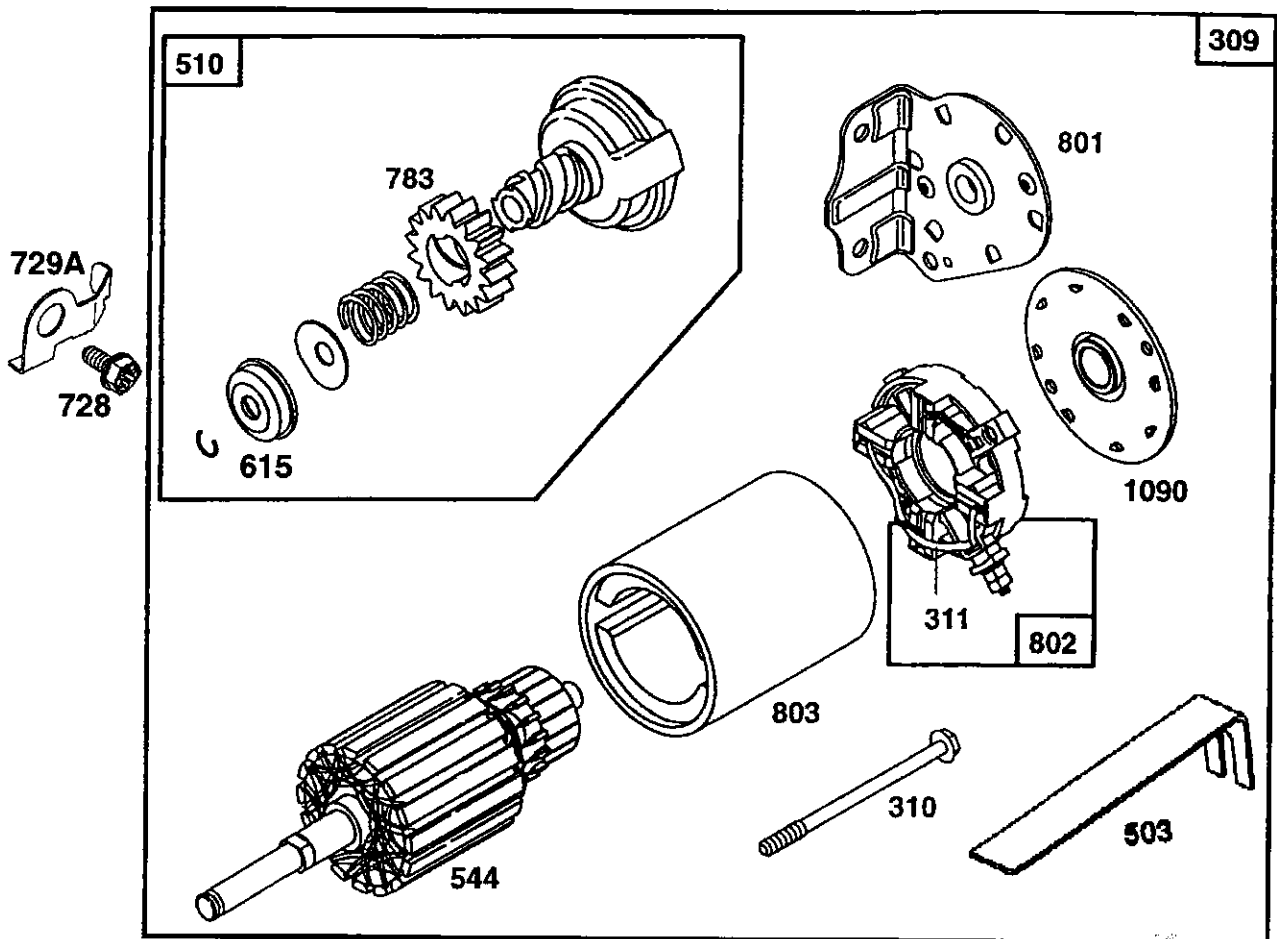
BRIGGS & STRATTON ENGINE - MODEL NUMBER 28R707, TYPE NUMBER 1140-E1



# REPAIR PARTS

TRACTOR - - MODEL NUMBER 917.258220

BRIGGS & STRATTON ENGINE - MODEL NUMBER 28R707, TYPE NUMBER 1140-E1



# REPAIR PARTS

## TRACTOR - - MODEL NUMBER 917.258220

### BRIGGS & STRATTON ENGINE - MODEL NUMBER 28R707, TYPE NUMBER 1140-E1

KEY PART NO.	NO.	DESCRIPTION	KEY PART NO.	NO.	DESCRIPTION
1	496413	Cylinder Assembly	52	272554	ø* Gasket, Carburetor
2	399265	Bearing, Cylinder	53	94637	Stud, Carburetor Mounting
3	391086	* Seal, Oil	73	224948	Screen, Rotating
4	494238	Base, Engine	75	225136	Washer, Spring
5	494240	Head, Cylinder	78	94626	Screw, Phillips
7	271866	ø* Gasket, Cylinder Head	87	491323	* Seal, Governor
8	495735	Breather Assembly (Includes Mounting Gasket)	93	281346	Bushing, Throttle Shaft
9	27803	ø* Gasket, Valve Cover	94	498030	Valve, Needle
10	94621	Screw, Sems	95	94098	** Screw, Throttle
11	280100	Tube, Breather	98	495800	Screw, Idle Adjust
12	271916	* Gasket, Crankcase Cover, 1/64"	104	231789	** Pin, Float Hinge
	271997	* Gasket, Crankcase Cover, .005"	105	231855	** Valve, Inlet Needle
	271996	* Gasket, Crankcase Cover, .009"	106	231854	** Seat, Inlet
13	94622	Screw, Cylinder Head	108	224540	Valve, Choke
15	94239	Plug, Oil Drain	121	499220	Carburetor Kit
16	498971	Crankshaft	123	94913	Screw, Elbow Mounting
20	291675	* Seal, Oil	125	498027	Carburetor
22	94624	Screw, Sems, Base Mounting	127	- - -	** Plug, Welch (Sold in Kit Only)
23	492326	Flywheel	130	224539	Valve, Throttle
24	222698	Key, Flywheel	131	494379	Shaft, Throttle
25	394661	Piston Assembly, Standard Size	133	494381	Float, Carburetor
	394662	Piston Assembly, .010" Oversize	137	281165	*** Gasket, Float Bowl
	394663	Piston Assembly, .020" Oversize	138	281164	*** Washer, Float Bowl
	394664	Piston Assembly, .030" Oversize	141	495097	Shaft, Choke
26	391780	Ring Set, Standard Size	142	497736	** Nozzle, Carburetor
	392331	Ring Set, Standard Size, Chrome		497737	Nozzle, Carburetor (High Altitude)
	391781	Ring Set, .010" Oversize	146	94196	Key, Timing
	391782	Ring Set, .020" Oversize	171	281051	Nut, Air Cleaner
	391783	Ring Set, .030" Oversize	186	493496	Elbow, Fuel Pipe
27	260924	Lock, Piston Pin	187	298049	Line, Fuel (Cut to Suit)
28	299691	Pin, Piston, Standard Size	188	94627	Screw, Sems
	391286	Pin, Piston, .005" Oversize	201	262767	Link, Governor
29	490348	Rod, Connecting	209	260871	Spring, Governor
	490469	Rod, Connecting, .020" Undersize	216	262766	Link, Choke
32	94671	Screw, Connecting Rod	219	490815	Gear, Governor
33	262246	Valve, Exhaust	222	495611	Plate, Governor Control
34	262247	Valve, Intake	224	94729	Screw, Hex Head
35	65906	Intake Exhaust Valve	227	493935	Lever Assembly, Governor
36	26828	Spring, Valve	230	94927	Washer, Governor Crank
37	224502	Guard, Flywheel	232	262785	Spring, Governor Link
40	221596	Retainer, Intake Valve	240	394358	Filter, Fuel
41	292260	Rotocoil, Exhaust Valve	265	221535	Clamp, Casing
42	494553	Retainer, Rotocoil			
45	262248	Tappet, Valve	*		Included in Gasket Set (494241)
46	212897	Gear, Cam	**		Included in Carburetor Kit (499220)
50	213819	Carburetor, Elbow	***		Included in both Carburetor Kit (499220), and Carburetor Gasket Set (494385)
51	272465	*** Gasket, Carburetor			

ø Included in Valve Overhaul Gasket Set

**NOTE:** All component dimensions given in U.S. inches  
1 inch = 25.4 mm



# REPAIR PARTS

## TRACTOR - - MODEL NUMBER 917.258220

### BRIGGS & STRATTON ENGINE - MODEL NUMBER 28R707, TYPE NUMBER 1140-E1

KEY PART NO. NO.	DESCRIPTION	KEY PART NO. NO.	DESCRIPTION
284 94903	Screw, Shoulder	726 392134	Gear, Ring
284A 94704	Screw, Hex Head	727 490324	Cover, Starter
304 496280	Housing, Blower	728 94951	Screw, Torx®
305 94786	Screw, Hex Head	729 281159	Clip, Lead Wire
305A 94881	Screw, Hex	729A 225170	Retainer, Wire
306 224545	Shield, Cylinder	741 262932	Gear, Timing
307 94930	Screw, Sems	757 213998	Link, Counterweight
308 491490	Cover, Cylinder Head	758 399891	Counterweight Assembly
309 497595	Motor, Starter	759 298909	Pin, Counterweight
310 94003	Thru Bolt	761 94593	Screw, Counterweight
311 497608	Brush Assembly	783 280104	Gear
333 492341	Armature, Magneto	801 394856	Cap, Drive
334 094731	Screw, Sems	802 497605	Cap, End
337 802592	Plug, Spark	803 497604	Housing, Starter
346 94896	Screw, Hex Head	842 270920	* Seal, Cap
356 494328	Wire Assembly	847 496415	Tube Assembly, Oil
358 494241	Gasket Set	851 493880	Terminal, Ignition Cable
363 19203	Puller, Flywheel	869 261463	Seat, Intake Valve
383 89838	Wrench, Spark Plug	870 262924	Seat, Exhaust Valve
445 496894	Cartridge, Air Cleaner	871 261961	Guide, Exhaust Valve
455 221561	Cap, Flywheel	231218	Guide, Intake Valve, Brass
467 493903	Knob, Air Cleaner	872 281361	Cover, Air Cleaner
474 393474	Stator, Alternator	875 494237	Body, Air Cleaner
482 93621	Screw, Sems	877 393456	Diode Assembly
503 806000	Strap, Starter	950 94642	Screw, Fuel Bowl
510 497606	Starter Drive Group	965 94010	Nut, Hex
523 495230	Dipstick, Oil	975 495933	Bowl, Float
524 281370	* Seal, Oil	977 494385	Carburetor Gasket Set
525 496113	Tube, Oil Filler	987 281166	** Seal, Throttle Shaft
535 272403	Element, Filter	1005 281400	Fan, Flywheel
537 281106	∅* O-Ring, Air Cleaner	1006 224413	Retainer, Fan
544 497603	Armature, Starter	1019 491252	Label Kit
552 491986	Bushing, Governor Crank	1036 499362	Label, Kit, Emission
562 94907	Bolt, Governor Lever	1044 94673	Screw, Hex Head
592 231978	Nut, Hex	1045 231828	Extension, Crankshaft
601 93053	Clamp, Fuel Pipe	1090 497607	Retainer, Brush
614 93306	Pin, Cotter	1091 281364	Cap, Limiter
615 263080	Retainer	1095 498539	Gasket Set, Valve Overhaul
616 495157	Crank, Governor	2500 28R707-1140	Replacement Engine
634 494453	* Seal, Spring Assembly	— 496050	Replacement Shortblock
635 66538	Elbow, Spark Plug		
646 224546	Brace, Air Cleaner		
657 94906	Screw, Sems		
663 94929	Screw, Hex Head		
668 231109	Spacer		
668A 280848	Spacer		
689 262820	Spring, Friction		

RPM Settings: Low Speed: 1900-2100  
High Speed: 3000-3200

\* Included in Gasket Set (494241)

\*\* Included in Carburetor Kit (499220)

\*\*\* Included in both Carburetor Kit (499220),  
and Carburetor Gasket Set (494385)

∅ Included in Valve Overhaul Gasket Set

**NOTE:** All component dimensions given in U.S. inches  
1 inch = 25.4 mm

---

# SERVICE NOTES

---

# **CRAFTSMAN**®

**IMPORT**

**Max & ERIK PEDERSEN**  
Aabyvej 69  
DK-8230 Aabyhøj - Aarhus

Telefon 86-15 44 44  
Fax 86-15 41 88

FORHANDLER