



**REPAIR PARTS MANUAL**  
**MODEL NO. 258240**  
**Lawn Tractor**

*15.5/12.*

---

**CRAFTSMAN®**

# HOW TO USE THIS MANUAL

This manual is designed to provide the customer with a means to identify the parts on his/her tractor when ordering repair parts. The illustrations may or may not represent the actual assemblies; therefore, it is not recommended to use this manual as a guide to assemble or disassemble the tractor. Some hardware and parts are drawn larger in order to more readily identify them.

Each tractor has its own model number.

The model number for your tractor can be found on the fender under the seat.

When ordering parts, always give the following information:

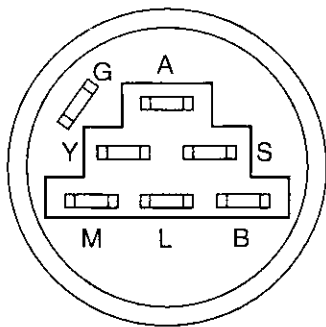
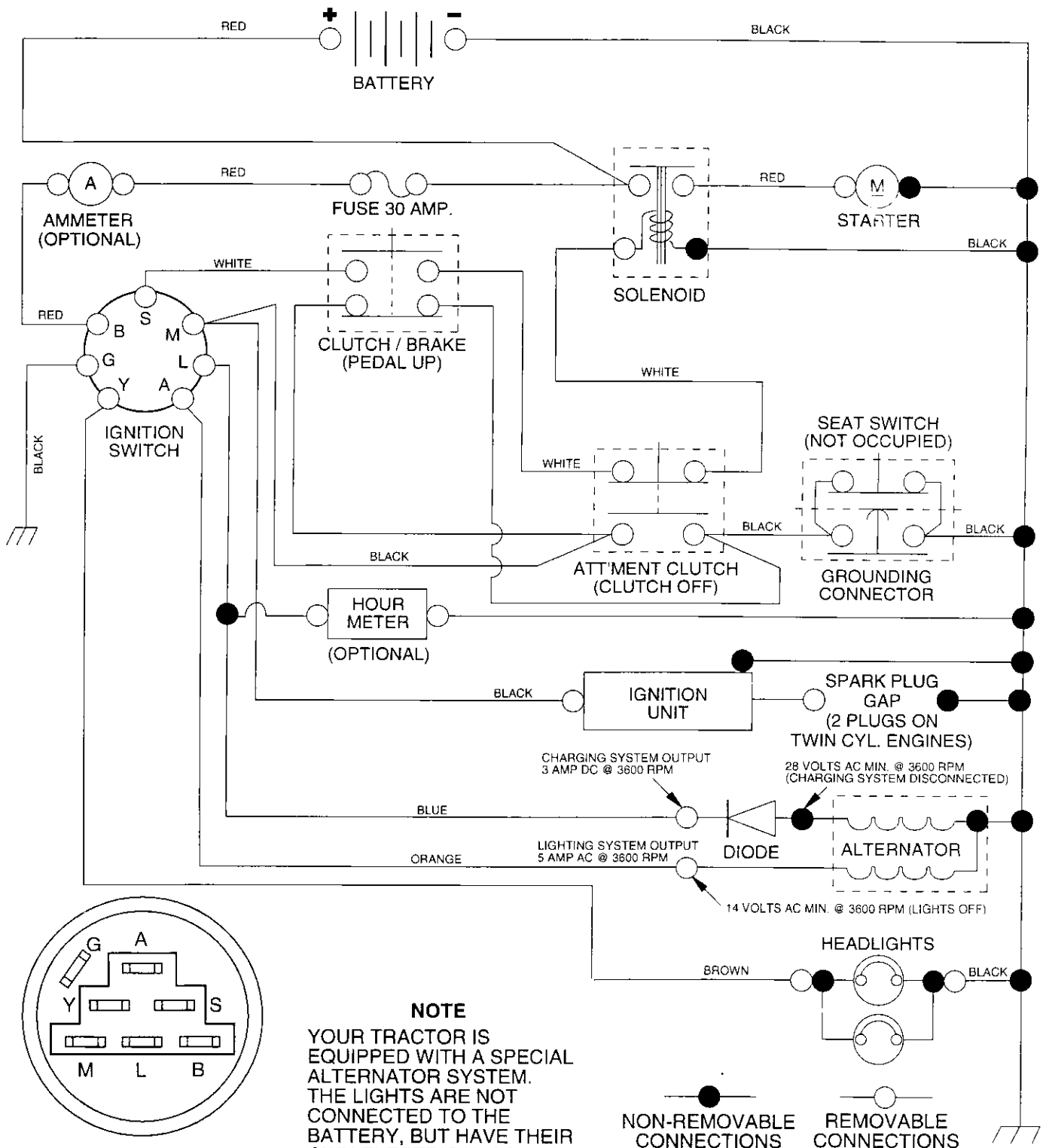
- Product - "Tractor"
- Model Number - "258240"
- Part Number
- Part Description

## TABLE OF CONTENTS

<b>SCHEMATIC .....</b>	<b>3</b>
<b>ELECTRICAL .....</b>	<b>4-5</b>
<b>CHASSIS .....</b>	<b>6-7</b>
<b>DRIVE .....</b>	<b>8-9</b>
<b>STEERING WHEEL .....</b>	<b>10-11</b>
<b>SEAT .....</b>	<b>12</b>
<b>DECALS .....</b>	<b>13</b>
<b>ENGINE .....</b>	<b>14</b>
<b>MOWER LIFT LEVER .....</b>	<b>15</b>
<b>MOWER DECK .....</b>	<b>16-17</b>
<b>TRANSAXLE .....</b>	<b>18-19</b>
<b>ENGINE IPB .....</b>	<b>20-25</b>

# TRACTOR - - MODEL NUMBER 917.258240

## SCHEMATIC



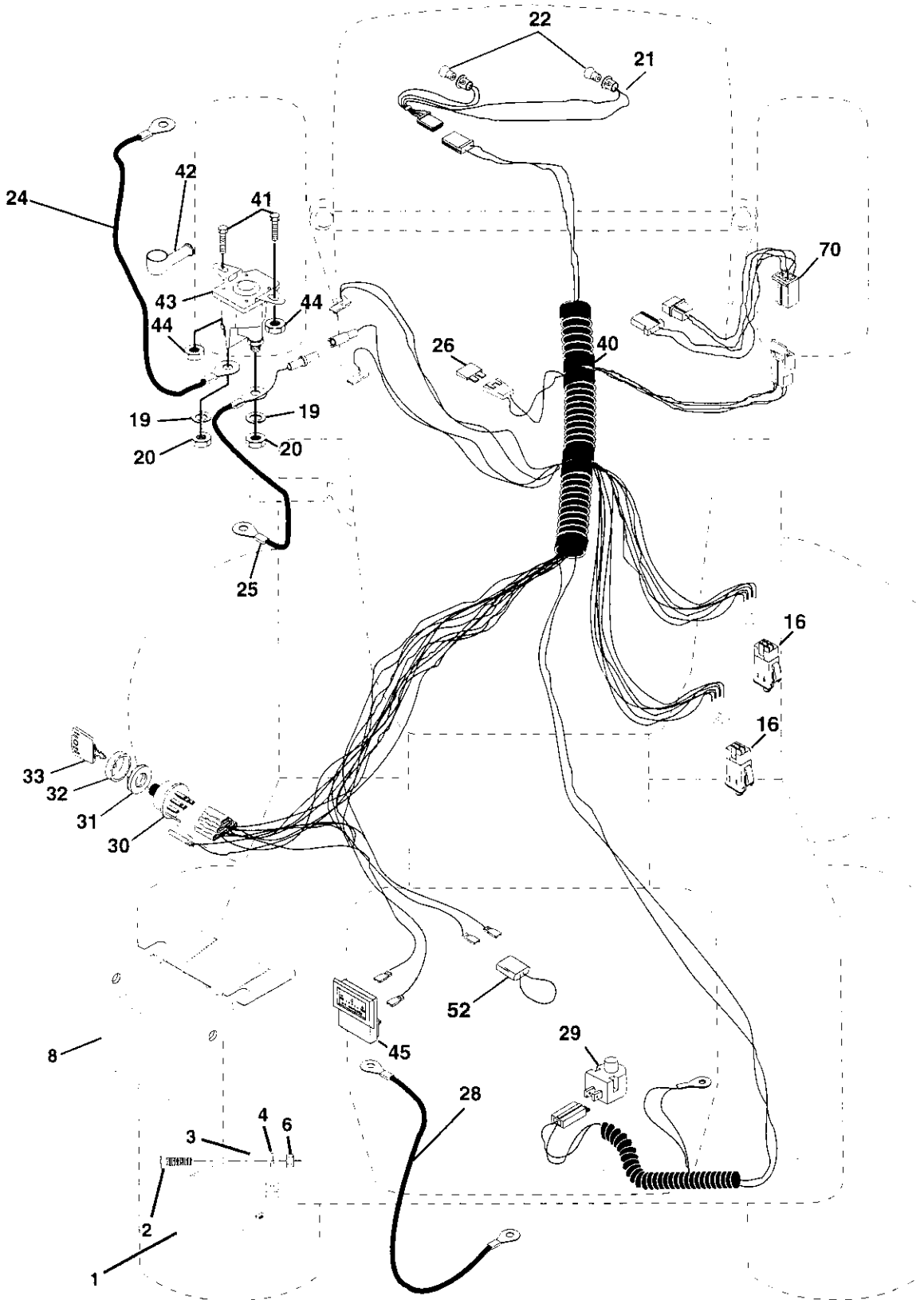
**IGNITION SWITCH**

POSITION	CIRCUIT	"MAKE"
OFF	G + M + L	NONE
RUN/LIGHT	B + L	A + Y
RUN	B + L	NONE
START	B + L + S	NONE

# REPAIR PARTS

TRACTOR -- MODEL NUMBER 917.258240

## ELECTRICAL



# REPAIR PARTS

## TRACTOR - - MODEL NUMBER 917.258240

### ELECTRICAL

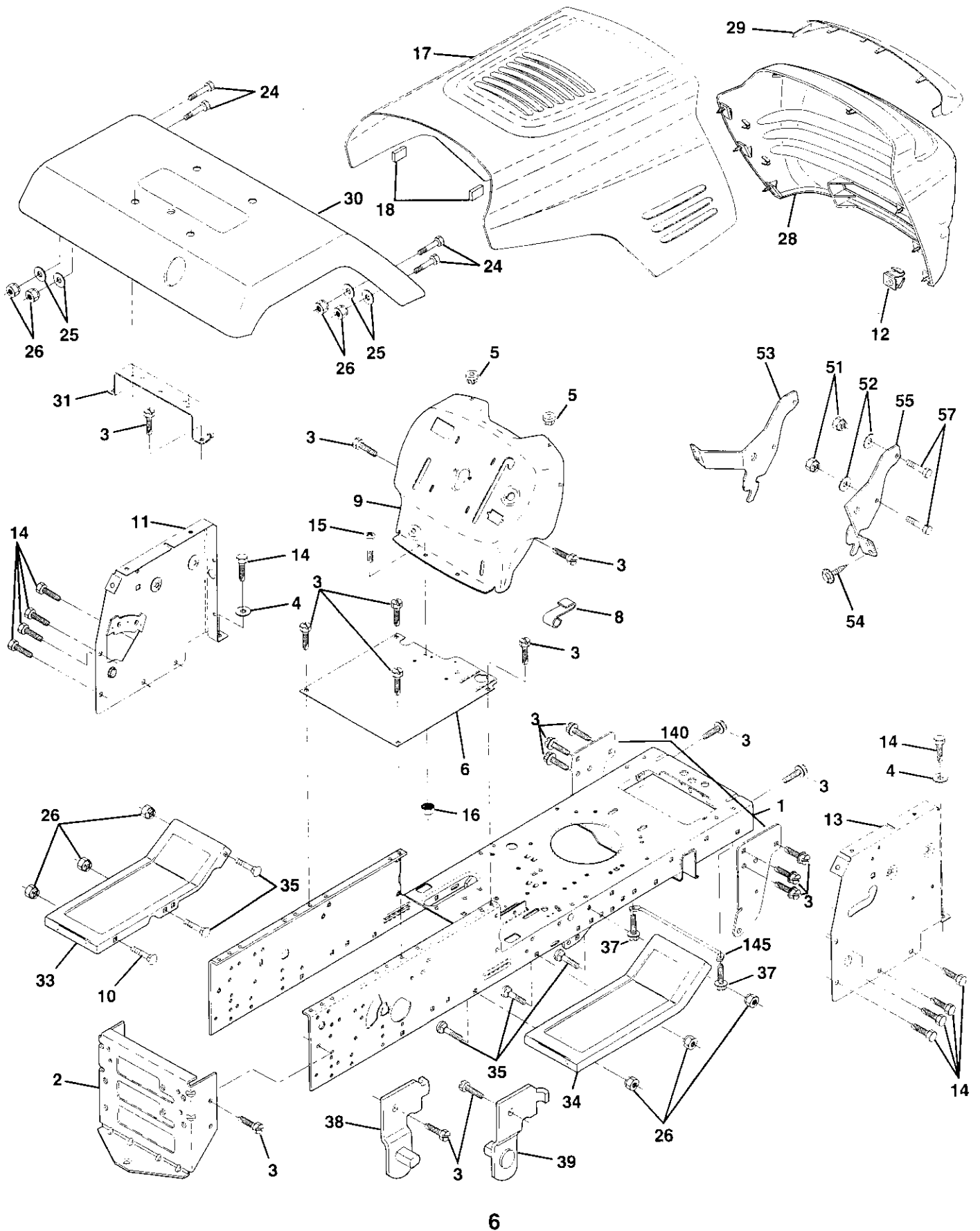
KEY NO.	PART NO.	DESCRIPTION
1	144925	Battery 12 VOLT 25 AMP
2	74760412	Bolt Hex Hd 1/4-20unc x 3/4
3	STD551025	Washer 9/32 x 5/8 x 16 Ga
4	STD551125	Washer Lock Hvy Helical 1/4
6	STD541025	Nut Fin Hex 1/4-20 Unc
8	156417	Case Battery
16	153664	Switch, Interlock Push-In
19	STD551125	Washer Lock 1/4
20	73350400	Nut Jam Hex 1/4-20 Unc
21	147430	Harness Asm Light W/4152j
22	4152J	Bulb Light #1156
24	4799J	Cable Battery 6 Ga 11" red
25	146147	Cable Battery 6 Ga w/16 wire red
26	108824X	Fuse 30 AMP Auto Green
28	4207J	Cable Ground 6 Ga 12" black
29	121305X	Switch Plunger Nc Gray
30	140301	Switch Ign 4 Pos
31	124211X	Nut Ignition
32	141226	Cover Sw Key Blk 1 25 Text SLT
33	109310X	Key Ign Molded Craftsman
40	156442	Harness Ign Man CI Am Hm 97
41	71110408	Bolt Blk. Fin Hex 1/4-20 Unc x 1/2
42	131563	Cover Terminal Red
43	145673	Solenoid
44	73640400	Nut Keps Blk Hex 1/4-20 Unc
45	121433X	Ammeter Rectangular 6 Amp
52	141940	Protection Wire Loop
70	140422	Harness Engine B&S 14 OHV

**NOTE:** All component dimensions give in U.S. inches  
1 inch = 25.4 mm

# REPAIR PARTS

TRACTOR - - MODEL NUMBER 917.258240

## CHASSIS AND ENCLOSURES



# REPAIR PARTS

## TRACTOR - - MODEL NUMBER 917.258240

### CHASSIS AND ENCLOSURES

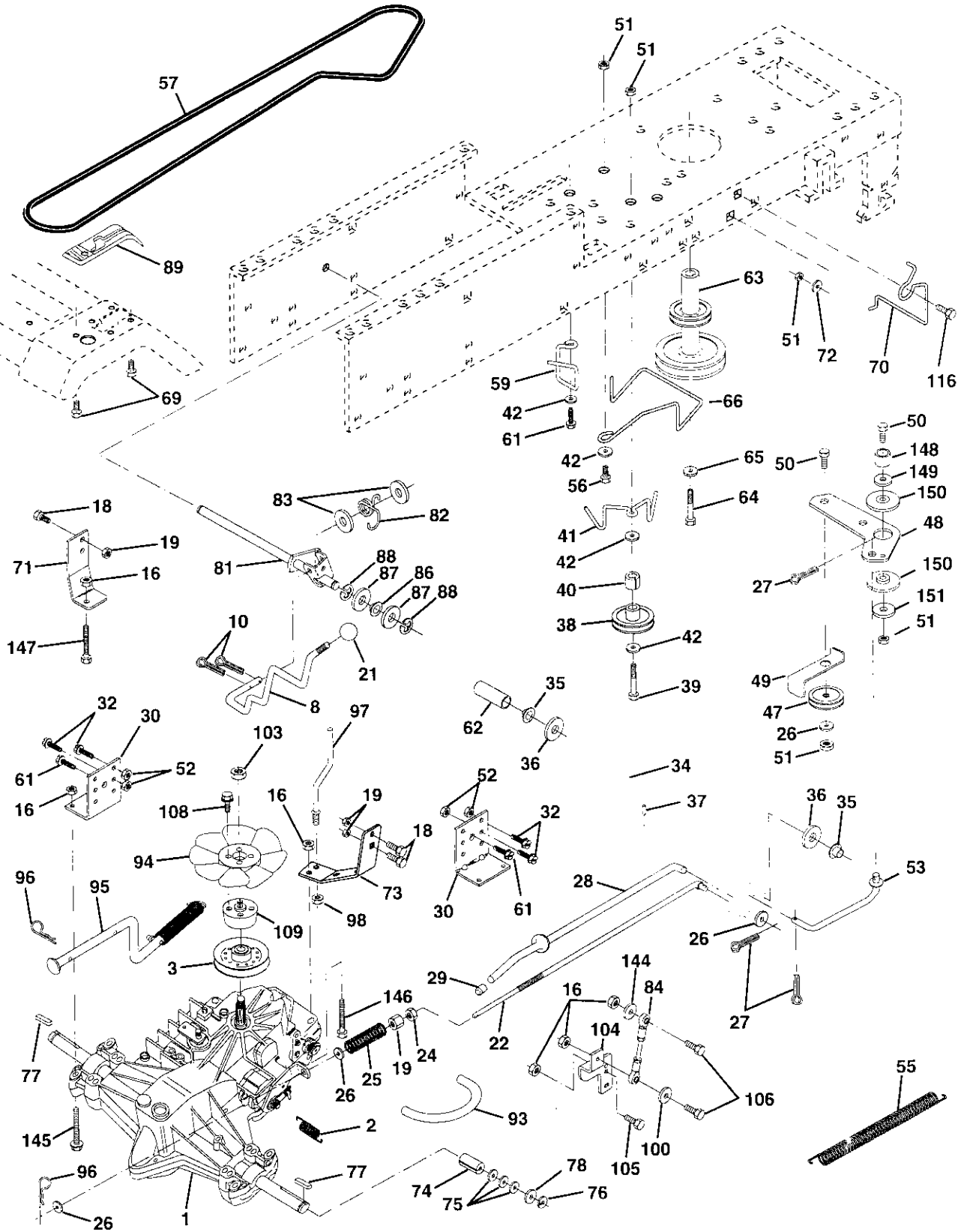
KEY NO.	PART NO.	DESCRIPTION
1	160393	Chassis Assembly
2	140356	Drawbar
3	17490612	Screw, Thd. Roll. 3/8-16 x 3/4
4	STD551025	Washer 13/32 x 3/4 x 16 Gauge
5	155272	Bumper Hood/Dash
6	155923	Saddle
8	155138	Clip Retainer
9	161938X012	Dash
10	STD533710	Bolt, Carriage 3/8-16 x 3/4
11	155927	Panel, Dash, L.H.
12	145660	Clip Tinnerman Grille P/L
13	155934X010	Panel, Dash, R.H.
14	17490608	Screw Thdrol 3/8-16 x 1/2
15	74180512	Screw, Machine, Truss Head 5/16-18 UNC x 3/4
16	STD541431	Nut
17	144983X558	Hood Assembly
18	126938X	Bumper Hood
24	STD523710	Bolt
25	19131312	Washer 13/32 x 13/16 x 12 Gauge
26	STD541437	Nut
28	145198X558	Grille w/Clips MS-558
29	155217	Lens, Grille
30	157583X558	Fender
31	136619	Bracket, Fender
33	145244X558	Footrest, L.H.
34	145243X558	Footrest, R.H.
35	STD533707	Bolt
37	17490508	Screw Thdrol 5/16-18 x 1/2
38	139886	Pivot Bracket Assembly, L.H.
39	139887	Pivot Bracket Assembly, R.H.
51	73800400	Nut Lock w/Insert 1/4-20 UNC
52	19091416	Washer 9/32 x 7/8 x 16 Ga.
53	145201	Bracket Grille Pickoff LH
54	161464	Screw Hex Wshd #8-8 x 7/8
55	145202	Bracket Grille Pickoff RH
57	STD522507	Bolt, Fin Hex 1/4-20 UNC x .75
140	158418	Bracket Front Suspension
145	156524	Rod Pivot Chassis/Hood
--	5479J	Plug, Button

**NOTE:** All component dimensions given in U.S. inches  
1 inch = 25.4 mm

# REPAIR PARTS

TRACTOR - - MODEL NUMBER 917.258240

## DRIVE





# REPAIR PARTS

## TRACTOR - - MODEL NUMBER 917.258240

### DRIVE

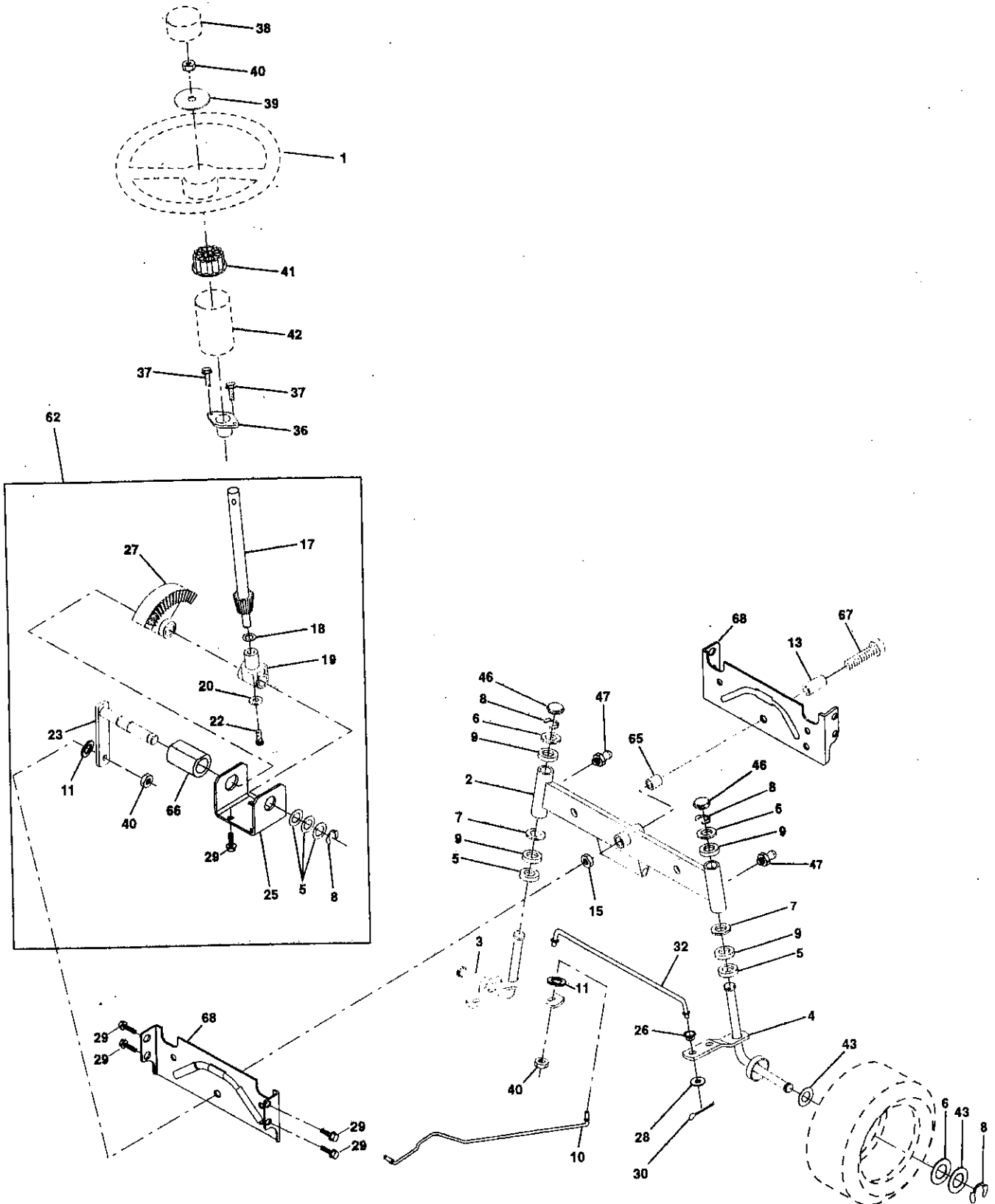
KEY NO.	PART NO.	DESCRIPTION	KEY NO.	PART NO.	DESCRIPTION
1	140607	Transmission, Asm.	66	161488	Keeper, Belt Engine Hydro
2	142431	Spring, Return, Brake	69	142432	Screw
3	144698	Pulley, Transmission	70	134683	Guide, Belt, Mower Drive RH
8	141003	Rod, Shift	71	141417	Strap, Torque, Lh
10	76020416	Pin, Cotter 1/8 x 1	72	19132012	Washer 13/32 x 1-1/4 x 12 Ga.
16	73800500	Nut, Lock Hex w/lms 5/16-18 UNC	73	141418	Strap, Torque, Rh
18	74780616	Bolt Hex 3/8-16 UNC x 1 Gr.5	74	121199X	Spacer, Split
19	73800600	Nut, Lock Hex w/Wsh 3/8-16 UNC	75	121749X	Washer 25/32 x 1-1/4 x 16 Ga.
21	106933X	Knob Rd. 1/2-13 Plstc. Thds. Blk.	76	12000001	Ring, E
22	145627	Rod, Brake	77	123583X	Key, Square
24	73350600	Nut	78	121748X	Washer 25/32 x 1-5/8 x 16 Ga.
25	106888X	Spring, Rod, Brake	81	161081	Asm, Shaft
26	19131316	Washer 13/32 x 13/16 x 16 Ga.	82	123782X	Spring, Torsion
27	76020412	Pin, Cotter 1/8 x 3/4	83	19171216	Washer 17/32 x 3/4 x 16 Ga.
28	145204	Rod, Parking Brake	84	141423	Rod, Tie
29	124236X	Cap, Parking Brake	86	157480	Bushing
30	130807	Bracket, Transmission	87	19212016	Washer 21/32 x 1-1/4 x 16 Ga.
32	74760512	Bolt Hex 5/16-18 UNC x 3/4	88	12000008	Ring, Clip
34	155071	Shaft, Foot Pedal	89	151147	Console, Shift
35	120183X	Bearing, Nylon	93	142564	Line Fuel
36	19211616	Washer	94	140462	Fan 7"
37	1572H	Pin, Roll	95	144643	Control Asm Bypass Hydro
38	123674X	Pulley, Idler, Flat	96	4497H	Spring, Retainer 1"
39	74760644	Bolt	97	144201	Keeper, Belt Rh
40	4470J	Spacer, Split	98	73510600	Nut Keps 3/8-16 UNC
41	154777	Keeper, Belt, Idler	100	19111216	Washer 11/32 x 3/4 x 16 Ga.
42	19131312	Washer 13/32 x 13/16 x 12 Ga.	103	73940800	Nut, Hex Jam Toplock 1/2-20 UNF
47	127783	Pulley, Idler, V-Belt	104	141421	Arm, Control Pump 500 Hydro
48	154407	Bellcrank Clutch Grnd Drustl	105	71070516	Bolt, Head Hex 5/16 x 18 x 1
49	123205X	Retainer, Belt	106	74780520	Bolt H 5/16-18 UNC x 1-1/4
50	74760624	Bolt	108	17541026	Screw Hex Wh Hd #10-24 x 1-5/8
51	73680600	Nut	109	145098	Adaptor Fan Hydro Lt Hyd Alum
52	73680500	Nut Crownlock 5/16-28	116	72110610	Bolt Rdhd Sq Neck 3/8-16 x 1-1/4
53	105710X	Link, Clutch	144	19111016	Washer 11/32 x 5/8 x 16
55	105709X	Spring, Return, Clutch	145	74490540	Bolt Hex Flghd 5/16-18 Gr. 5
56	74760620	Bolt, Hex 3/8-16 UNC x 1-1/4	146	74490524	Bolt Hex 5/16-18 UNC x 1-1/2
57	<del>161850</del>	V-Belt, Drive	147	74490536	Bolt Hex 5/16-18 x 2-1/4
59	140312	Keeper, Belt, Center	148	159103	Spacer
61	17490612	Screw, Thdrol 3/8-16 x 3/4 Type TT	149	122052X	Spacer Retainer
62	8883R	Cover, Pedal	150	150935	Bushing Nylon Collered
63	161399	Pulley, Engine	151	19133210	Washer 13/32 x 2 x 10
64	71170764	Bolt Hex 7/16 x 4 Gr. 5			
65	10040700	Washer			

NOTE: All component dimensions given in U.S. inches  
1 inch = 25.4 mm

# REPAIR PARTS

## TRACTOR - - MODEL

### STEERING ASSEMBLY



# REPAIR PARTS

## TRACTOR - - MODEL NUMBER 917.258240

### STEERING ASSEMBLY

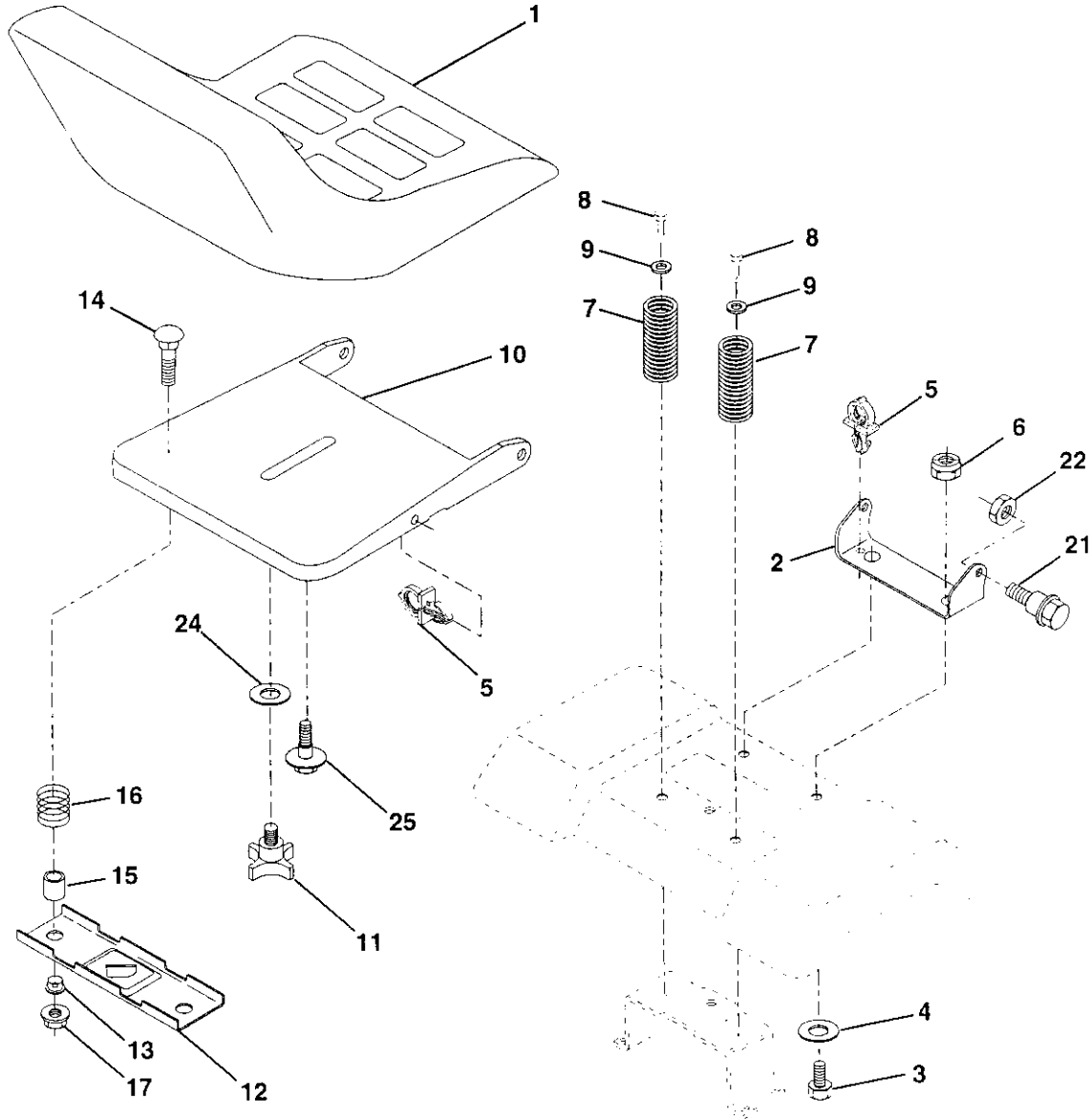
KEY NO.	PART NO.	DESCRIPTION
1	139768	Steering Wheel
2	154427	Front Axle Assembly
3	156483	Spindle Assembly, L.H.
4	157473	Spindle Assembly, R.H.
5	6266H	Bearing, Race, Thrust, Hardened
6	121748X	Washer 25/32 x 1-5/8 x 16 Gauge
7	19272016	Washer 27/32 x 1-1/4 x 16 Gauge
8	12000029	Ring, Klip
9	3366R	Bearing, Steering Column
10	156438	Link, Drag
11	STD551137	Washer, Lock
13	154779	Spacer, Bearing, Front Axle
15	73901000	Nut, Lock, Flange 5/8-11 UNC
17	156546	Shaft Assembly, Steering
18	57079	Washer, Thrust .515 x .750 x .033
19	124035X	Support, Shaft
20	126684X	Washer, Shim 1/4 x 5/8 x .062
22	71200410	Screw Hex Socket 1/4-20 x 5/8
23	127501	Pittman Shaft Assembly
25	154406	Bracket, Steering
26	126847X	Bushing, Link, Drag
27	136874	Gear, Sector
28	19131416	Washer 13/32 x 7/8 x 16 Gauge
29	17490612	Screw, Thd., Roll. 3/8-16 x 3/4
30	STD561210	Pin
32	130465	Rod, Tie
36	155099	Bushing, Steering
37	152927	Screw TT #10-32 x 5 x 3/8 Flange
38	139769	Insert, Steering Wheel
39	19133808	Washer 13/32 x 2-3/8 x 8 Gauge
40	STD541537	Gripco Nut
41	100711L	Adaptor, Steering Wheel
42	145054	Boot, Steering Dash P/L Mtl Blk
43	121749X	Washer 25/32 x 1-1/4 x 16 Gauge
44	153720	Extension Steering Non-Adjust
46	121232X	Cap, Spindle
47	6855M	Fitting, Grease
51	STD541431	Nut Lock Hx W/Ins 5/16-18 UNC
54	STD523112	Bolt Fin Hex 5/16-18 UNC x 1-1/4
62	156594	Kit, Steering Assembly, Service
63	74780616	Bolt Fin Hex 3/8-16 unc. x 1 Gr. 5
65	154780	Spacer Axle
66	154404	Bearing Arm Pittman
67	74781044	Bolt Fin Hex 5/8-11unc x 2-3/4
68	154429	Brace Axle

**NOTE:** All component dimensions given in U.S. inches  
1 inch = 25.4 mm

# REPAIR PARTS

## TRACTOR - - MODEL NUMBER 917.258240

### SEAT ASSEMBLY



KEY NO.	PART NO.	DESCRIPTION
1	140122	Seat 3350 Blk/blk Craftsman
2	140551	Bracket Pnt Pivot Seat (blk )
3	STD523710	Bolt Fin Hex 3/8-16unc X 1
4	19131610	Washer 13/32 X 3/4 X 10 Ga
5	145006	Clip Push In Hinged
6	STD541437	Nut Hex Lock w/Ins 3/8-16 Unc
7	124181X	Spring Seat Cprsn 2 250 Blk Zi
8	17490616	Screw Thdrol 3/8-16 X 1 Ty-tt
9	19131614	Washer 13/32 X 1 X 14 Ga
10	155925	Pan Pnt Seat (blk )
11	120068X	Knob Seat 1/2-13 Unc Blk
12	121246X	Bracket Pnt Mounting Switch

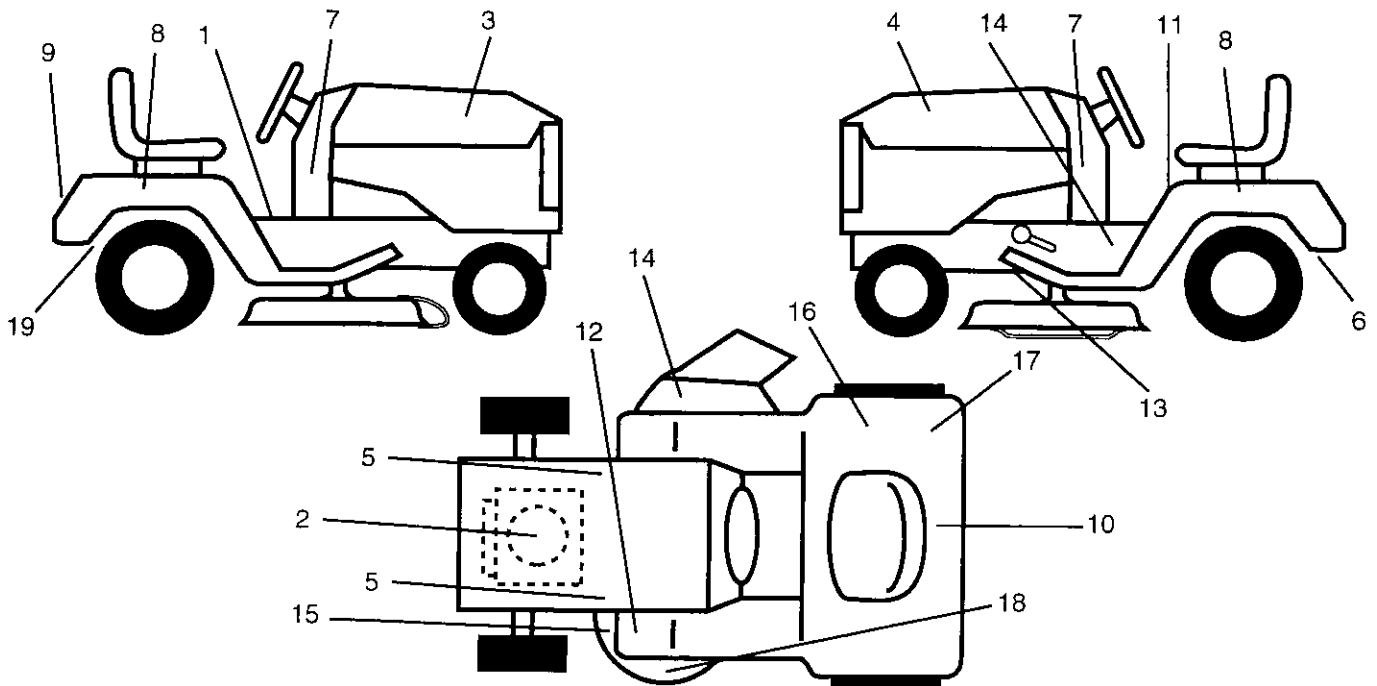
KEY NO.	PART NO.	DESCRIPTION
13	121248X	Bushing Snap Blk Nyl 50 Id
14	72050412	Bolt Rdhd Sht Nk 1/4-20x1-1/2
15	134300	Spacer Split 28 X 96 Zinc
16	121250X	Spring Cprsn 1 27 Blk Pnt
17	123976X	Nut Lock 1/4 Lge Flg Gr 5 Zinc
21	153236	Bolt Shoulder 5/16-18 Unc-2A
22	STD541431	Nut Hex Lock w/Ins 5/16-18
24	19171912	Washer 17/32 X 1-3/16 X 12 Ga
25	127018X	Bolt Shoulder 5/16-18 X 62

**NOTE:** All component dimensions given in U.S. inches.  
1 inch = 25.4 mm

# REPAIR PARTS

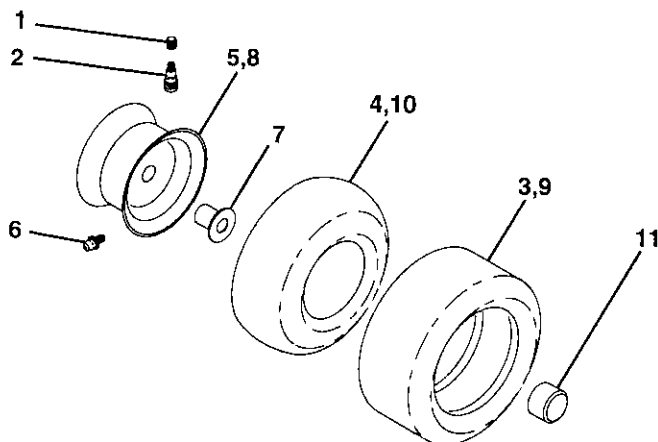
## TRACTOR -- MODEL NUMBER 917.258240

### DECALS



KEY NO.	PART NO.	DESCRIPTION	KEY NO.	PART NO.	DESCRIPTION
1	140837	Decal, Brake Parking Saddle	13	146046	Decal, V-belt Dr Sch Tractor
2	273303	Decal, Engine Hp	14	145494	Decal, Intern Cutfinger
3	163200	Decal, Hood Rh Craftsman	15	160396	Decal, Mower Drive Schematic
4	163202	Decal, Hood Lh Craftsman	16	145437	Decal, Europ. Stand. CE
5	159736	Decal, Chassis Hot Muffler	17	126187X	Decal, DBA
6	162598	Decal, Drawbar Load Limit	18	163203	Decal, Mower EZ3 Mulching Sears
7	150297	Decal, Panel Side	19	142341	Decal, Drawbar Cntrl Mvt Hyd Lt
8	146709	Decal, Fender Craftsman Gold	--	138311	Decal, Lift Handle
9	149918	Decal, Fender Auto Trans	--	157199	Pad, Footrest Rbr Sq Generic 97
10	145005	Decal, Btry Dngr/Psn	--	164155	Manual, Oper (Euro)
11	145498	Decal, Read Owners Man Sym	--	164156	Manual, Oper (Scan)
12	159737	Decal, Clutch/brake Sym	--	164157	Manual, Parts

### WHEELS & TIRES



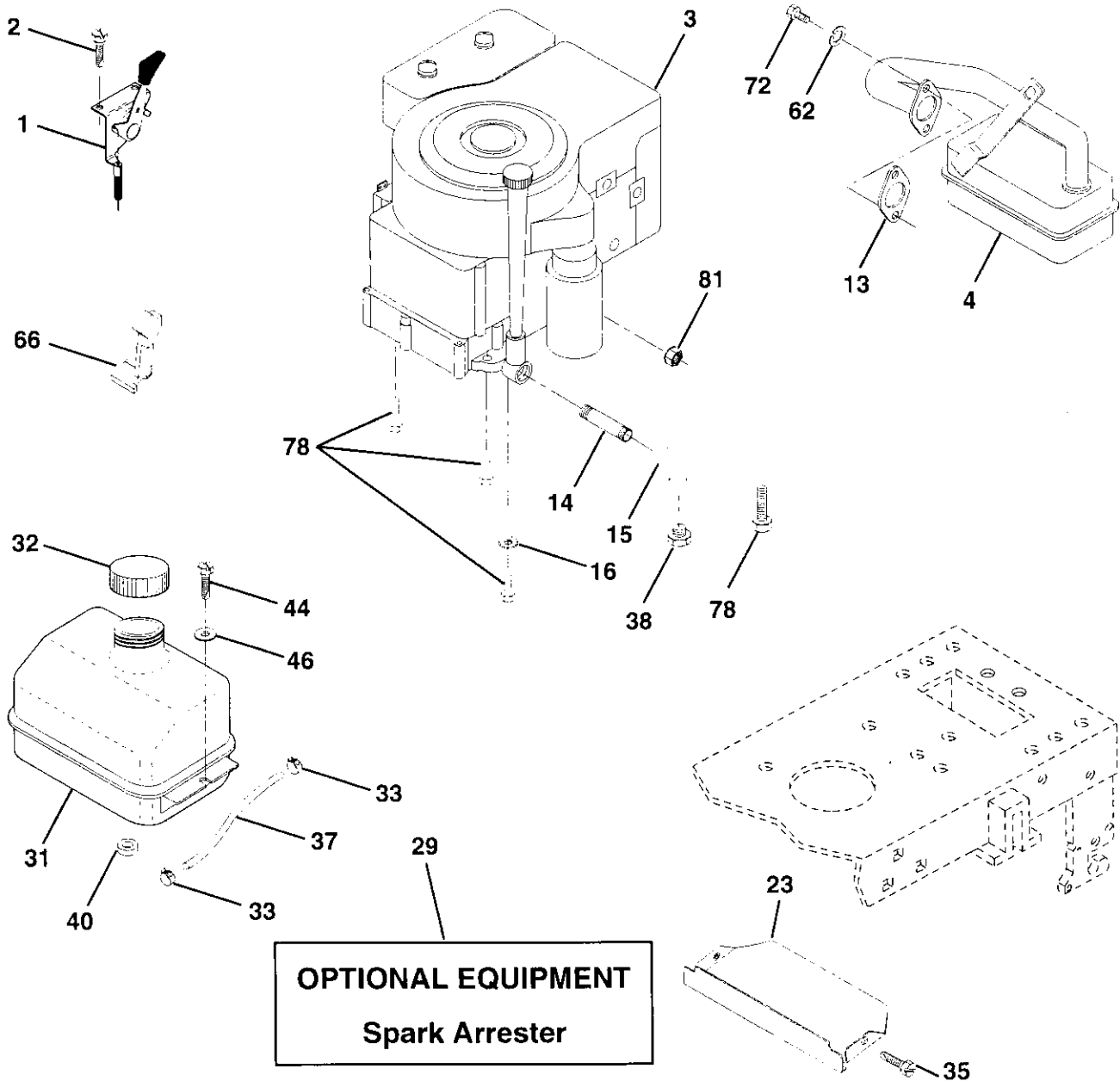
KEY NO.	PART NO.	DESCRIPTION
1	59192	Cap Value Tire
2	65139	Stem Value
3	106222X	Tire F Ts 15 X 6 0 - 6 Service
4	59904	Tube Inner Front #35060
5	106732X427	Rim Asm 6"front White Service
6	278H	Fitting Grease
7	9040H	Bearing Flange
8	106108X427	Rim Asm 8"rear White Service
9	106268X	Tire R Ts 18x9 5-8 Service
10	7152J	Tube Rear 9 5 X 8 Service
11	104757X	Cap Axle Blk 1 50 X 1 00
--	144334	Sealant, Tire (10 oz. tube)

**NOTE:** All component dimensions given in U.S. inches.  
1 inch = 25.4 mm

# REPAIR PARTS

## TRACTOR -- MODEL NUMBER 917.258240

### ENGINE



**OPTIONAL EQUIPMENT**  
**Spark Arrester**

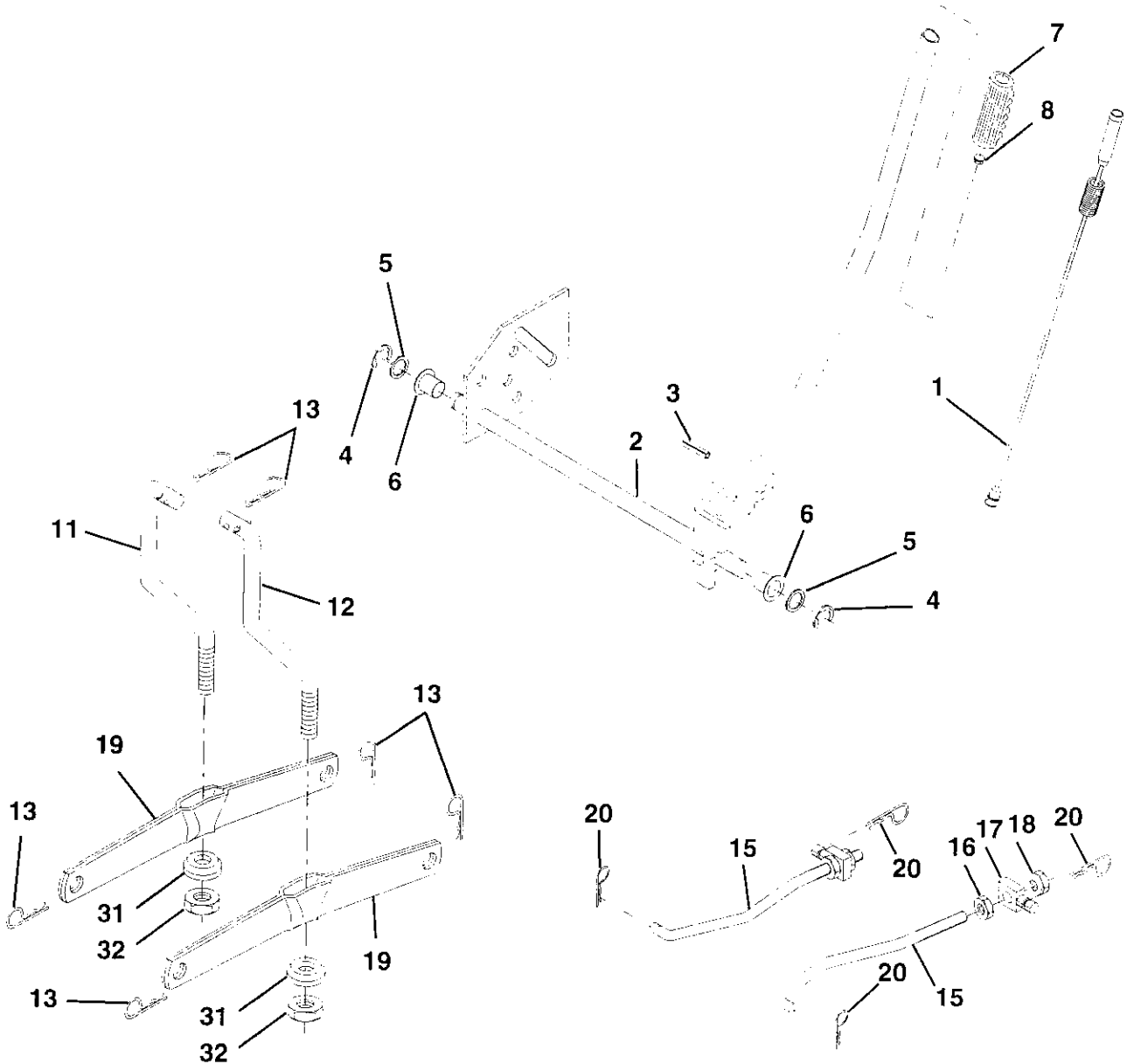
KEY NO.	PART NO.	DESCRIPTION	KEY NO.	PART NO.	DESCRIPTION
1	162158	Control Throt /Ch Lh	35	17490512	Screw, Thdrol 5/16-18 x 3/4 Tyt
2	17720410	Screw Hex Thd Cut 1/4-20x5/8 T	37	137040	Line Fuel 20"
3	-----	Engine (See Breakdown) B&S Model 28U707-1174-E1	38	-----	Plug Oil Drain (Order From Engine Manufacturer)
4	137352	Muffler Exhaust B&S Lt	40	124028X	Bushing Snap Nyl Blk Fuel Line
13	272293	Gasket 1 313 Id Tin Plated	44	17490412	Screw Hexwsh Thdrol 1/4-20x3/4
14	13280324	Nipple Pipe 3/8 Npt X 3"	46	19091416	Washer 9/32 X 7/8 X 16ga
15	13200300	Elbow Std 90 Degree 3/8-18 Npt	62	STD551131	Washer Lock Hvy Hlcl Spr 5/16
16	STD551237	Washer Lock Ext Tooth 3/8	66	127951	Stop Throttle
23	159880	Shield Browning/Debris Guard	72	71070512	Screw Hexhd Cap 5/16-18x3/4
29	137180	Arrestor Spark	78	17490620	Screw Thdrol 3/8-16x1-1/4 Tytt
31	109202X	Tank Fuel 1 25 Fr	81	128861	Nut Flange 1/4-20 Starter Nut
32	158990	Cap Asm Fuel Sears Vented			
33	123487X	Clamp Hose Blk			

**NOTE:** All component dimensions given in U.S. inches  
1 inch = 25.4 mm

# REPAIR PARTS

## TRACTOR - - MODEL NUMBER 917.258240

### MOWER LIFT



KEY NO.	PART NO.	DESCRIPTION
1	159460	Washer Asm Inner Spring W/ Plunger
2	159471	Shaft Asm. Lift
3	105767X	Pin Groove
4	12000002	E Ring #5133-62
5	19211621	Washer 21/32 x 1 x 21 Ga.
6	120183X	Bearing Nylon
7	125631X	Grip Handle Fluted
8	122365X	Button Plunger Read
11	139865	Link Asm Lift L.H.
12	139866	Link Asm Lift R.H.

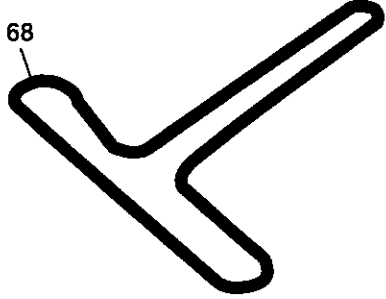
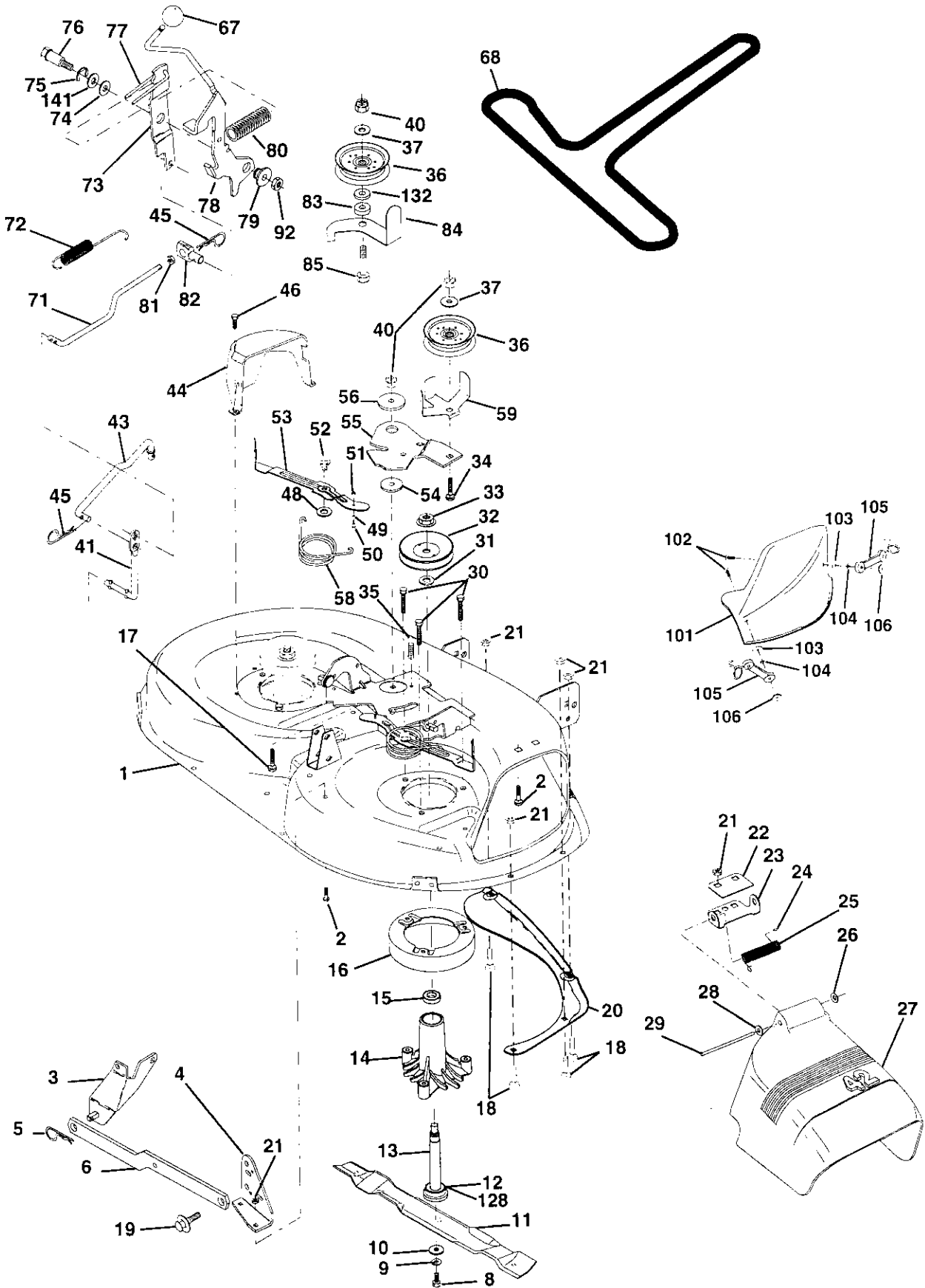
KEY NO.	PART NO.	DESCRIPTION
13	STD624008	Retainer Spring
15	127218	Link Front
16	73350800	Nut Jam Hex 1/2-13 Unc
17	130171	Trunnion Blk Zinc
18	73600800	Nut Crownlock 1/2-13 Unc
19	139868	Arm Suspension Mower
20	163552	Retainer Spring
31	140302	Bearing, Pvt. Lift. Spherical
32	73540600	Nut Crownlock 3/8-24

**NOTE:** All component dimensions given in U.S. inches  
1 inch = 25.4 mm

# REPAIR PARTS

TRACTOR - - MODEL NUMBER 917.258240

## MOWER DECK





# REPAIR PARTS

## TRACTOR - - MODEL NUMBER 917.258240

### MOWER DECK

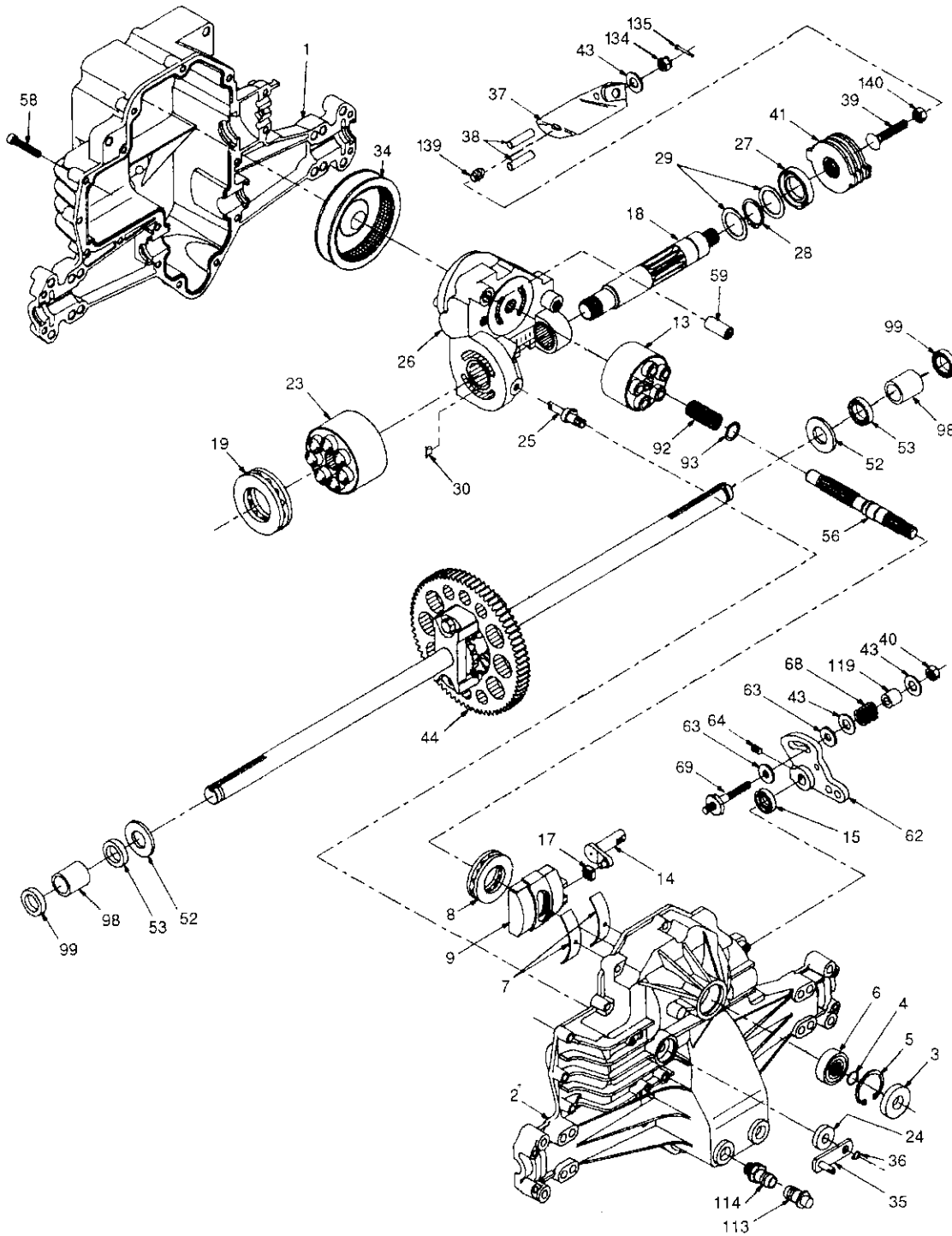
KEY NO.	PART NO.	DESCRIPTION	KEY NO.	PART NO.	DESCRIPTION
1	144393	Mower Housing	49	155066	Roller Assembly, Cam Follower
2	STD533107	Bolt	50	131340	Bolt, Shoulder #10-24 Grade 5
3	138017	Bracket Assembly, Sway Bar, Front	51	STD541410	Locknut
4	138440	Bracket Assembly, Sway Bar	52	139888	Bolt, Shoulder 5/16-18 UNC
5	STD624008	Retainer Spring	53	131845	Arm Assembly, Pad, Brake
6	130832	Arm, Suspension, Rear	54	133943	Washer, Hardened
8	850857	Bolt, Hex 3/8-24 x 1.25 Grade 8	55	155046	Arm, Idler
9	STD551137	W'asher, Lock	56	122052X	Spacer, Retainer
10	140296	Washer, Hardened	58	140086	Spring, Torsion Brakes 42"
11	134149	Blade, Mulching	59	141043	Guard, Tuv Idler (94)
12	129895	Bearing, Ball	67	162113	Knob Custom Oval
13	137645	Shaft Assembly, Mandrel, Vented (Includes Key Number 6)	68	144200	V-Belt
14	128774	Housing, Mandrel, Vented	71	142427	Rod, Clutch, Primary, with Nibs
15	110485X	Bearing, Ball, Mandrel	72	131870	Spring, Return
16	140329	Stripper, Vented Mower Deck	73	127847	Arm, Clutch, Secondary
17	72110610	Bolt, Carriage 3/8-16 x 2-1/4	74	121748X	Washer 25/32 x 1-5/8 x 16 Gauge
18	72140505	Bolt, Carriage 5/16-18 x 5/8	75	12000029	Ring, Klip
19	132827	Bolt, Shoulder	76	128903	Bolt, Shoulder 3/8-16 UNC x 1.44
20	159770	Baffle, Vortex	77	127845	Keeper, Spring
21	STD541431	Nut, Crownlock 5/16-18 UNC	78	160570	Arm, Clutch, Primary
22	134753	Stiffener Bracket	79	127498	Bushing, Large, Brass
23	131267	Bracket, Deflector	80	153701	Spring, Mower Clutch
24	105304X	Cap, Sleeve	81	73350600	Nut, Hex Jam 3/8-16 UNC
25	123713X	Spring, Torsion, Deflector	82	142028	Trunnion Adj. 94
26	110452X	Nut, Push	83	120958X	Washer Sintered
27	130968	Shield, Deflector	84	156084	Keeper Belt Idler
28	19111016	Washer 11/32 x 5/8 x 16 Gauge	85	72140618	Bolt Carriage 3/8-16 x 2-1/4
29	131491	Rod, Hinge	92	STD541437	Locknut, Hex W/Wsh 3/8-16 UNC
30	157722	Screw Thdrol Rolling Washer Head	101	136420	Cover Mulching 42" Black
31	129963	Washer, Spacer	102	71161010	Screw Truss Head Phil 10-24 x 5/8
32	153535	Pulley, Mandrel	103	19061216	Washer #10
33	137266	Nut, Toplock, Flanged	104	10071000	Washer Lock #10
34	STD533717	Bolt	105	160793	Latch Asm Bagger
35	133835	Fastner, Christmas Tree	106	2029J	Nut Weld
36	131494	Pulley, Idler, Flat	128	153390	Washer Felt
37	STD551037	Washer 13/32 x 13/16 x 16 Ga.	132	19132203	Washer 13/32 x 1-3/8 x 3 Ga.
40	STD541437	Nut, Crownlock 3/8-16 UNC	141	6266H	Washer Thrust .75 x 1.230
41	133551	Rod, Pivot, with Nibs	--	130794	Mandrel Assembly (Includes Key Numbers 8-10, 12-15, 31 and 32)
43	140083	Rod, Clutch, Secondary, with Nibs	--	145411	Mower Deck, Complete (Std deck - order separately mulcher plate components key nos. 101-106)
44	140088	Guard, Mandrel, L.H.			
45	STD624003	Retainer			
46	137729	Screw, Thd. Roll 1/4-20 x 5/8			
48	133944	Washer, Hardened			

**NOTE:** All component dimensions given in U.S. inches  
1 inch = 25.4 mm.

# REPAIR PARTS

TRACTOR - - MODEL NUMBER 917.258240

HYDRO GEAR TRANSAXLE - MODEL NUMBER 310-0500



# REPAIR PARTS

## TRACTOR - - MODEL NUMBER 917.258240

### HYDRO GEAR TRANSAXLE - MODEL NUMBER 310-0500

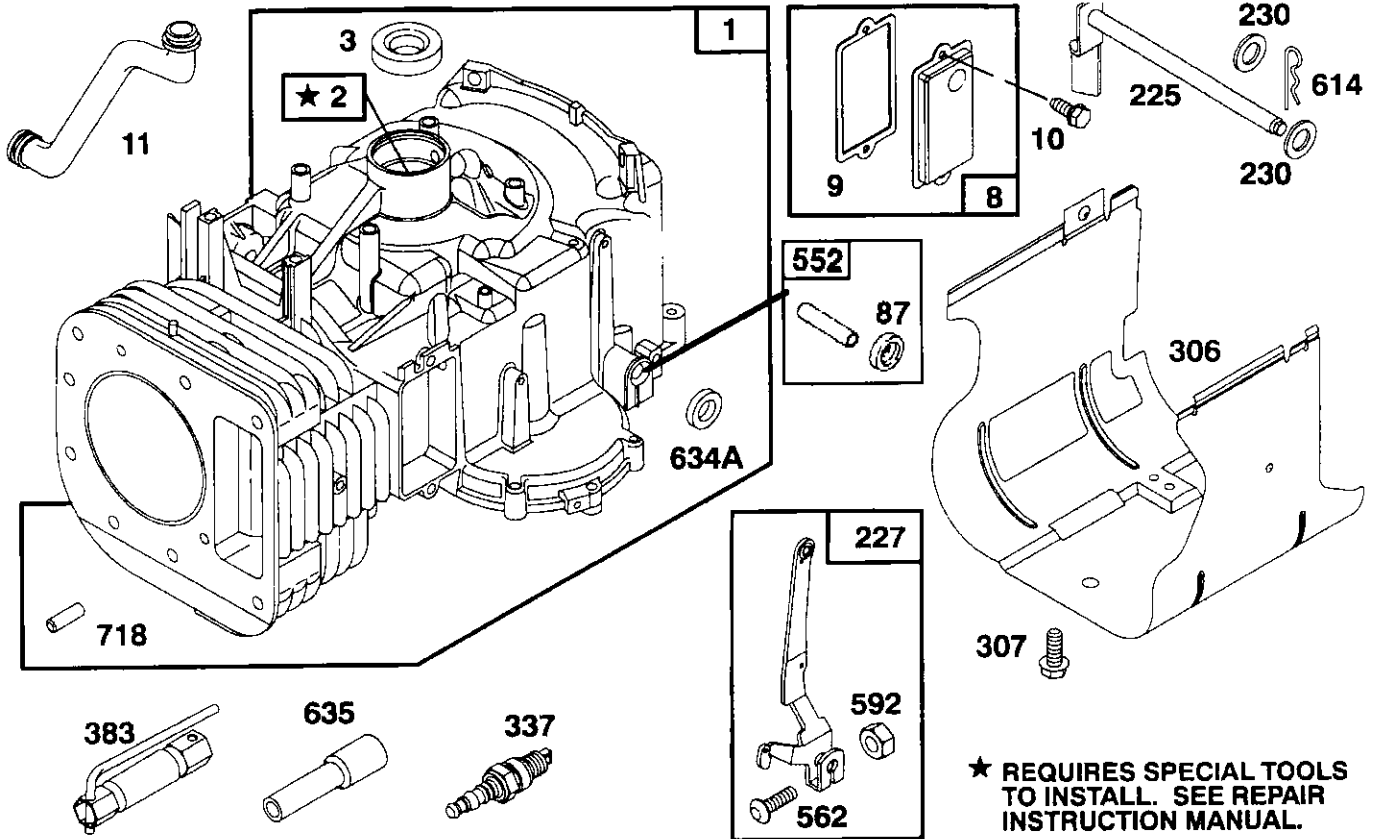
KEY PART NO. NO.	DESCRIPTION	KEY PART NO. NO.	DESCRIPTION
1 142986	Housing, Lower	40 150778	Locknut, Hex 5/16-24 UNJC
2 142987	Assembly, Upper Housing	41 142958	Brake Rotor/Stator Kit
3 142932	Seal, Lip	43 142884	Washer 7/16 x 7/8 x .060
4 142928	Ring, Wire Retaining	44 142990	Differential Assembly
5 142933	Ring, Retaining	52 142991	Washer 3/4 x 1.5 x .13
6 142934	Bearing, Shaft Ball	53 142961	Seal .75 x 1.25 x .250
7 142935	Bearing, Cradle	56 142963	Shaft, Input
8 150771	Bearing, Thrust 30 x 52 x 13	58 142964	Bolt 1/4-20 x 1.38
9 142937	Swashplate, Variable	59 142965	Pin .5 OD x .43 ID x .750
13 142938	Block, Cylinder Assembly	62 142966	Arm, Control
14 142939	Arm, Trunnion	63 142967	Puck, Dampener
15 142940	Seal, Lip	64 142920	Set Screw
17 142941	Guide, Slot	68 142969	Spring
18 150772	Shaft, Motor	69 144610	Stud 5/16-24
19 150773	Bearing, Thrust 42 x 68 x 16	92 142977	Spring, Block
23 142944	Block, Cylinder Assembly	93 142978	Washer, Block Thrust
24 142945	Seal, Lip 10 x 25 x 7	98 142993	Sleeve Bearing
25 142946	Actuator, Bypass	99 142976	Seal, Wiper
26 150774	Center Section Assembly Kit	113 142917	Cap, Vent Assembly
27 142948	Seal, Lip 26 x 42 x 8	114 142918	Fitting, O-Ring Assembly
28 142949	Ring, Retaining	119 142980	Spacer
29 142950	Washer 26 x 35 x 1	134 144607	Nut, Castle 5/16-24
30 150787	Nut, Jam	135 144608	Pin, Cotter
34 142951	Oil Filter Element	139 150775	Spring, Compression
35 142952	Arm, Bypass	140 150776	Nut, Hex 5/16-24
36 142953	Ring, Retaining		
37 142954	Arm, Actuating		
38 142955	Pin, Actuating		
39 150777	Bolt 5/16-24 x 1-3/4		

**NOTE:** All component dimensions given in U.S. inches  
1 inch = 25.4 mm

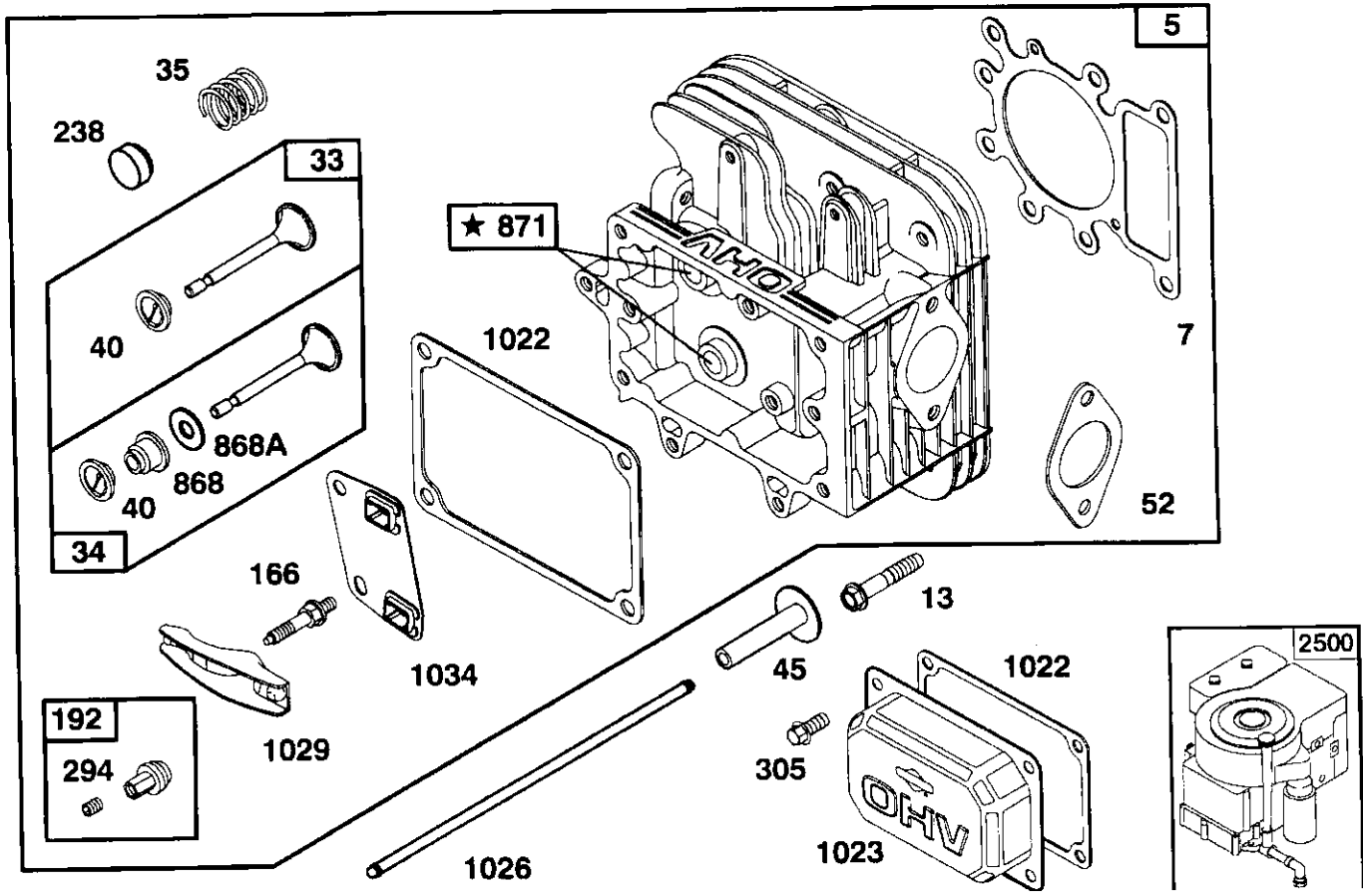
# REPAIR PARTS

TRACTOR - - MODEL NUMBER 917.258240

BRIGGS & STRATTON ENGINE - MODEL NUMBER 28U707, TYPE NUMBER 1174-E1



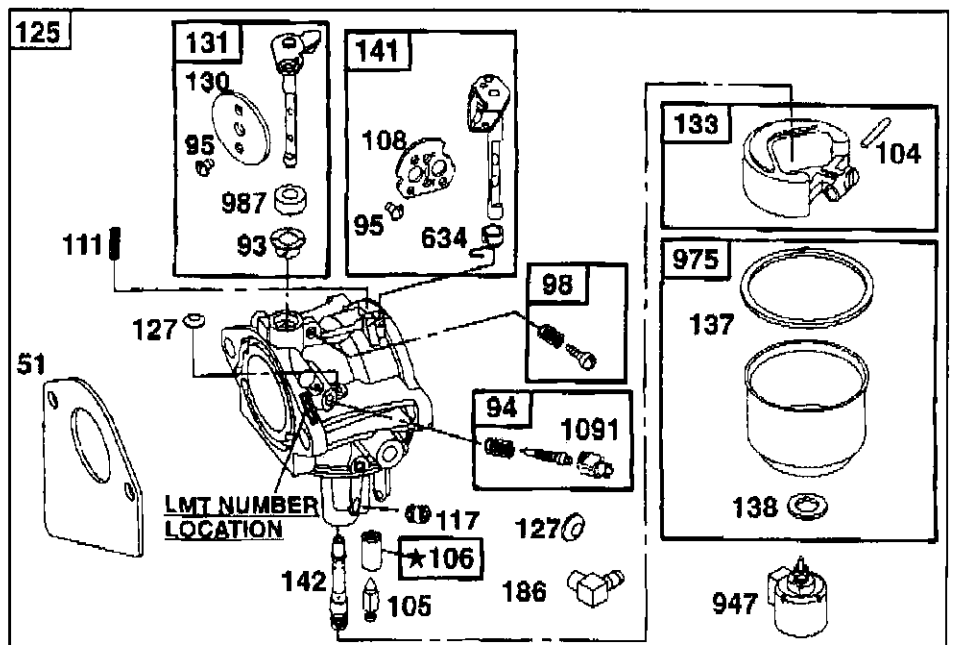
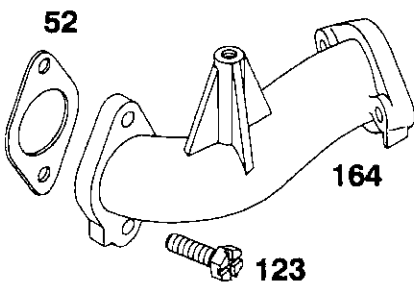
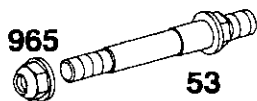
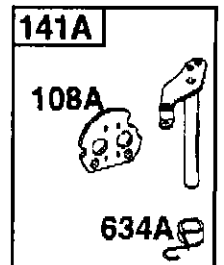
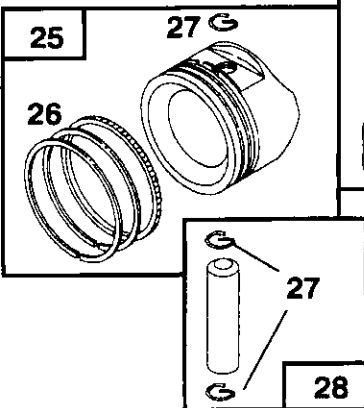
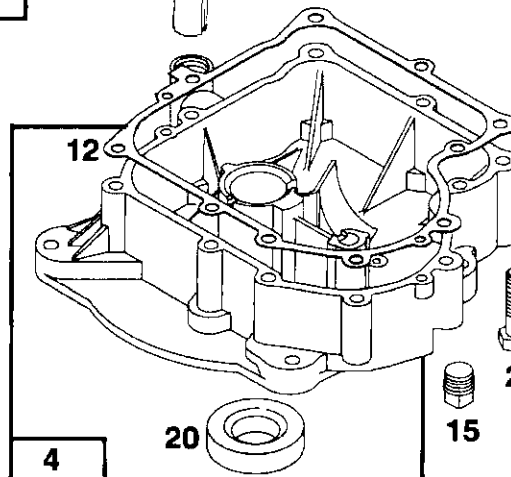
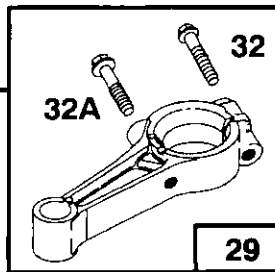
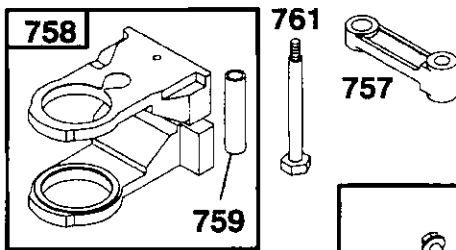
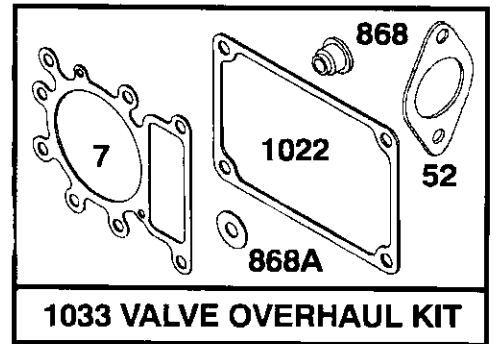
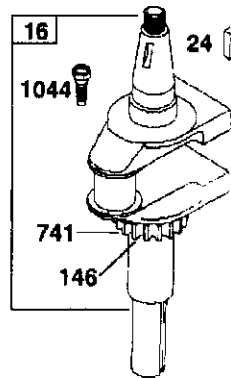
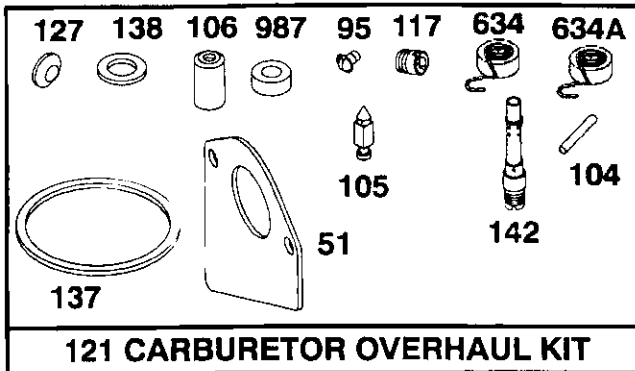
★ REQUIRES SPECIAL TOOLS TO INSTALL. SEE REPAIR INSTRUCTION MANUAL.



# REPAIR PARTS

TRACTOR - - MODEL NUMBER 917.258240

BRIGGS & STRATTON ENGINE - MODEL NUMBER 28U707, TYPE NUMBER 1174-E1

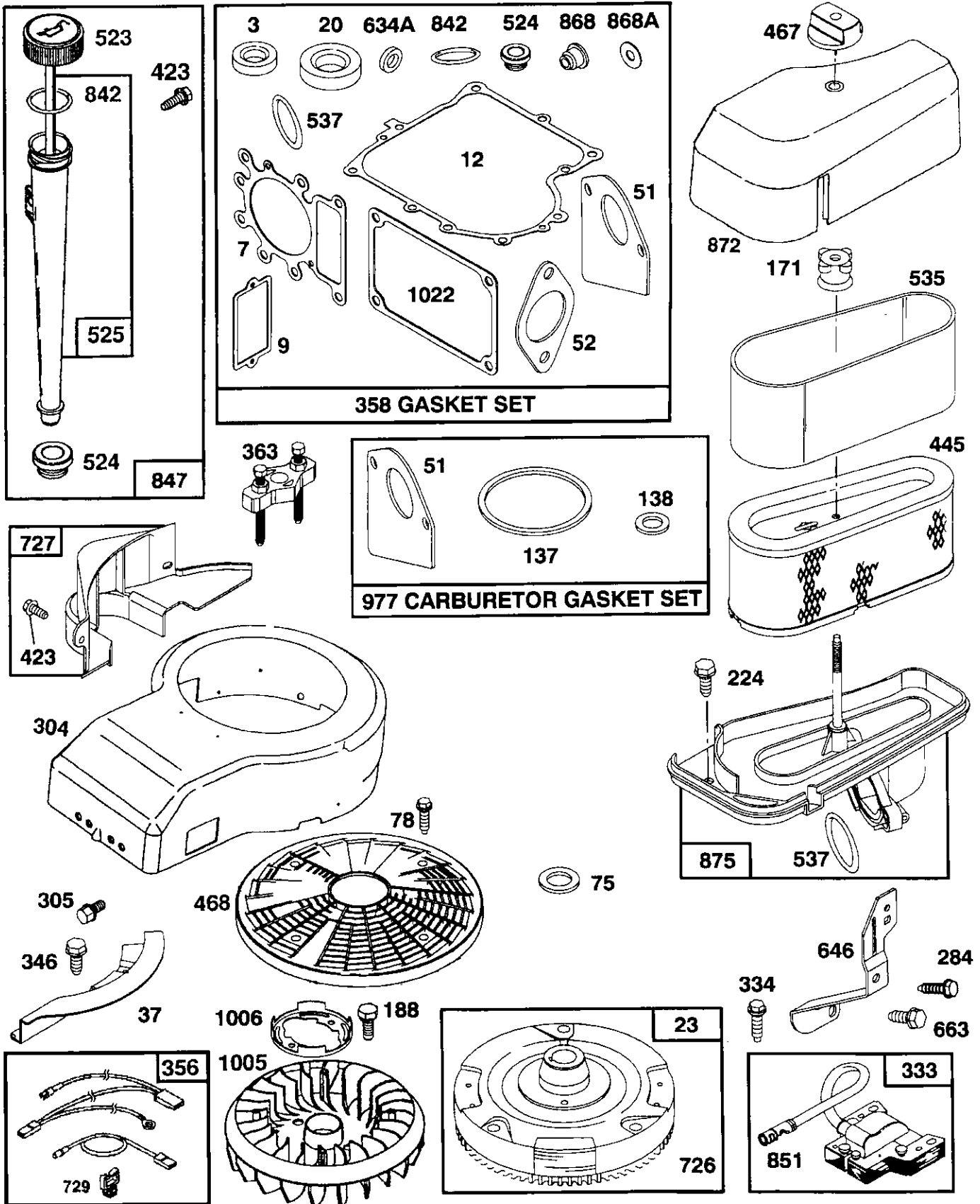


★ REQUIRES SPECIAL TOOLS TO INSTALL. SEE REPAIR INSTRUCTION MANUAL.

# REPAIR PARTS

TRACTOR - - MODEL NUMBER 917.258240

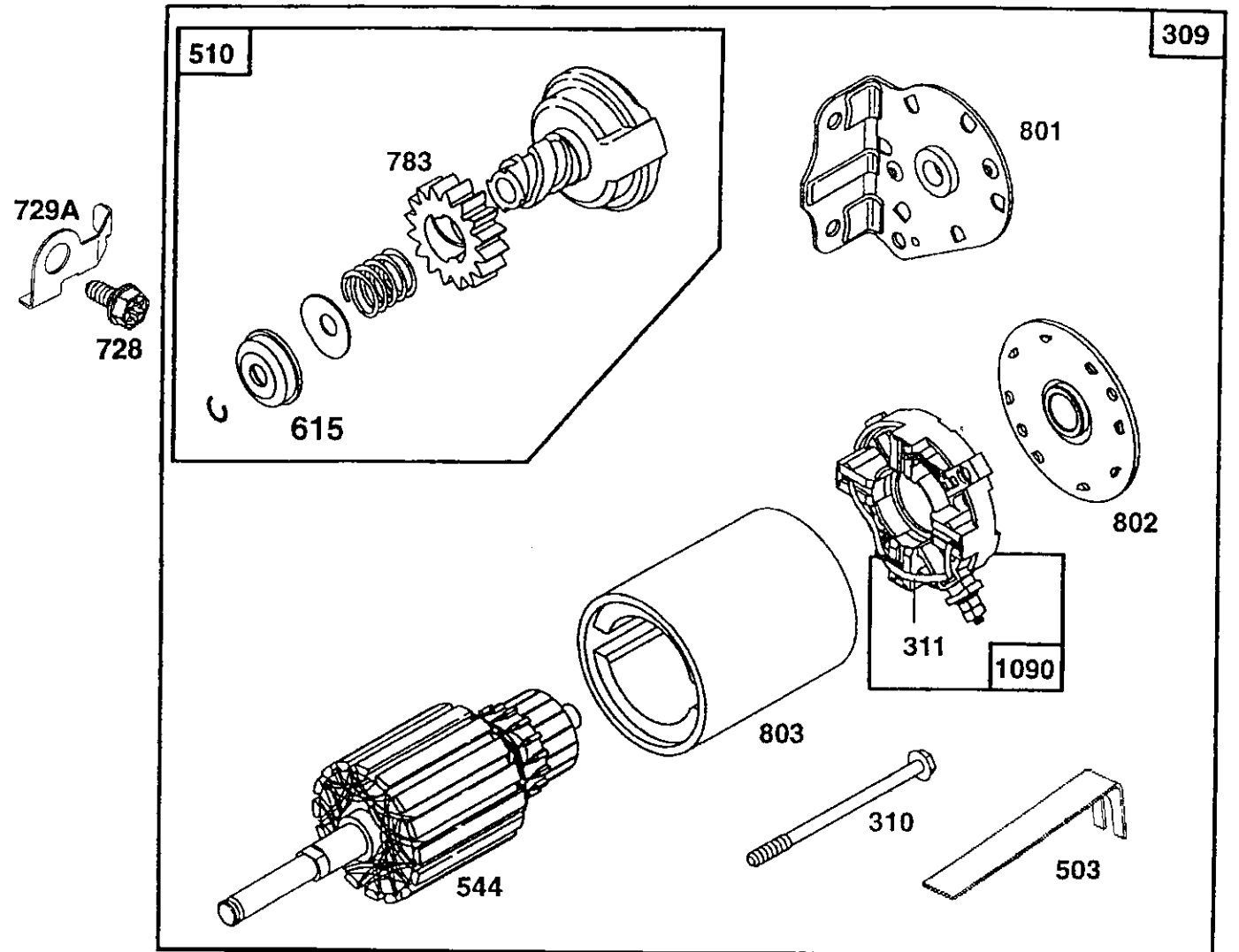
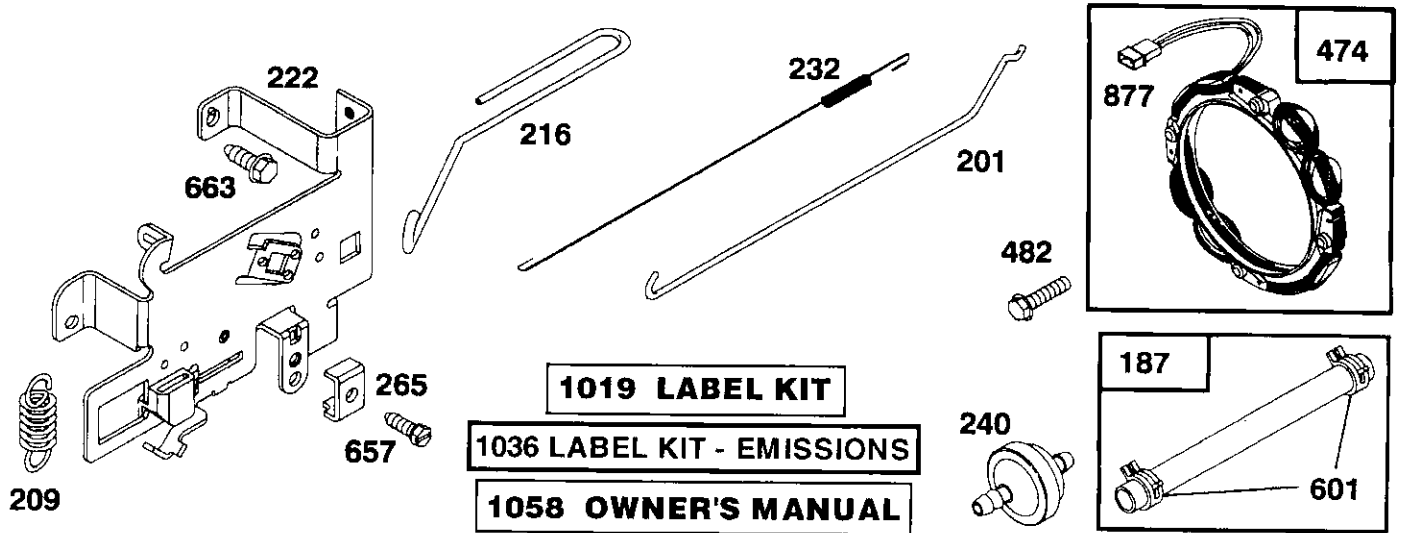
BRIGGS & STRATTON ENGINE - MODEL NUMBER 28U707, TYPE NUMBER 1174-E1



# REPAIR PARTS

TRACTOR - - MODEL NUMBER 917.258240

BRIGGS & STRATTON ENGINE - MODEL NUMBER 28U707, TYPE NUMBER 1174-E1



# REPAIR PARTS

## TRACTOR - - MODEL NUMBER 917.258240

### BRIGGS & STRATTON ENGINE - MODEL NUMBER 28U707, TYPE NUMBER 1174-E1

KEY PART NO.	NO.	DESCRIPTION	KEY PART NO.	NO.	DESCRIPTION
1	496412	Cylinder Assembly	95	94098	** Screw, Throttle
2	399265	Bearing, Cylinder	98	495800	Screw, Idle Speed
3	391086	* Seal, Oil	104	231789	** Pin, Float Hinge
4	494238	Base, Engine	105	231855	** Valve Float
5	495858	Head, Cylinder	106	231854	** Seat, Inlet Valve
7	273280	*** Gasket, Cylinder Head	108	224558	Valve, Choke (Lmt 153)
8	495735	Breather Assembly	108A	224540	Valve, Choke (Lmt 154)
9	27803	* Gasket, Valve Cover	111	262715	Spring Choke (Lmt 155)
10	94621	Screw, Sems	117	232118	** Jet, Needle Valve (Std.)
11	281246	Tube, Breather		232119	Jet, Needle Valve (Hi-Alt.)
12	271916	* Gasket, Crankcase Cover, .015"	121	499233	Carburetor Overhaul Kit
	271997	* Gasket, Crankcase Cover, .005"	123	94913	Screw, Elbow Mounting
	271996	* Gasket, Crankcase Cover, .009"	125	499153	Carburetor Assembly
13	94728	Screw, Cylinder Head	127	- - -	** Plug, Welch (Sold in Kit Only)
15	94239	Plug, Oil Drain	130	224539	Valve, Throttle
16	498971	Crankshaft	131	494379	Shaft and Lever, Throttle
	94196	Timing Gear Key	133	494381	Float, Carburetor
20	291675	* Seal, Oil	137	281165	**** Gasket, Float Bowl
22	94624	Screw, Sems, Base Mounting	138	281164	**** Washer, Bowl
23	492326	Flywheel and Ring Gear Assembly, Magneto	141	495097	Choke, Shaft Kit (Choke-A-Matic)
		Key, Flywheel	141A	495931	Choke, Shaft Kit (Choke-A-Matic)
24	222698	Piston Assembly, Standard Size	142	232117	** Nozzle, Carburetor
25	495860	Piston Assembly, .010" Oversize	146	94196	Key, Timing Gear
	495977	Piston Assembly, .020" Oversize	164	214047	Elbow, Carburetor
	495978	Piston Assembly, .030" Oversize	166	94555	Stud, Rocker Arm
	495979	Ring Set, Piston, Standard Size	171	281051	Nut, Air Cleaner Mounting
26	495854	Ring Set, Piston, .010" Oversize	186	493496	Connector, Hose
	495852	Ring Set, Piston, .020" Oversize	187	298099	Line, Fuel (Cut to Suit)
	495851	Ring Set, Piston, .030" Oversize	188	94627	Screw, Sems
	495855	Lock, Piston Pin	192	492160	Screw Assembly, Rocker Arm
27	263129	Pin Assy., Piston, Standard Size	201	262767	Link, Governor
28	498319	Pin Assy., Piston, .005" Oversize	209	260695	Spring, Governor
	498320	Rod Assembly, Connecting	216	262766	Link, Choke
29	494504	Rod Assembly, Connecting, .020" Undersize Crankpin Bore	219	490815	Gear, Governor
	495490	Screw, Hex Washer Head, 1-5/7/64	222	495611	Plate, Governor Control
32	94695	Screw, Hex Washer Head, 1-5/8	224	94905	Screw, Sems, Air Cleaner
32A	94648	Valve, Exhaust	225	495157	Crank, Governor
33	495856	Valve, Intake	227	493935	Lever Assembly, Governor
34	495857	Spring, Valve	230	94742	Washer, Governor Crank
35	262811	Guard, Flywheel	232	262785	Spring, Governor Link
37	224502	Retainer, Valve Spring	238	262836	Cap, Valve
40	224641	Tappet, Valve	240	394358	Filter, Fuel (In Fuel Line)
45	262411	Gear, Cam	265	221535	Clamp, Casing
46	496884	**** Gasket, Carburetor (Carburetor to Elbow)	284	94704	Screw, Hex Head
51	272465	*** Gasket, Carburetor (Elbow to Cylinder)			* Included in Gasket Set (495993)
52	272569	Stud, Carburetor Mounting			** Included in Carburetor Kit (499233)
53	94637	Washer, Spring			*** Included in both Gasket Set (495993) and Valve Overhaul Kit (495992)
75	225136	Screw, Pan Head			**** Included in Gasket Set (495993), Carburetor Kit (499233) and Carburetor Gasket Set (494385)
78	94832	* Seal, Governor Shaft			
87	491323	Bushing, Throttle Shaft			
93	281346	Valve, Needle			
94	498030				

**NOTE:** All component dimensions given in U.S. inches  
1 inch = 25.4 mm



# REPAIR PARTS

## TRACTOR - - MODEL NUMBER 917.258240

### BRIGGS & STRATTON ENGINE - MODEL NUMBER 28U707, TYPE NUMBER 1174-E1

KEY PART NO.	NO.	DESCRIPTION	KEY PART NO.	NO.	DESCRIPTION
294	810068	Screw, Set	729A	225170	Retainer, Wire
304	496280	Housing, Blower	741	262932	Gear, Timing
305	94786	Screw, Hex, Head,	757	213998	Link, Counterweight
		Blower Housing Mounting	758	399891	Counterweight Assembly
306	225020	Shield, Cylinder	759	298909	Pin, Counterweight
307	94930	Screw, Cylinder Shield	761	94593	Screw, Counterweight
309	497595	Motor, Starter	783	280104	Gear, Starter
310	497602	Bolt, Thru	801	394856	Cap, Drive
311	497608	Brush Set	802	497605	Cap, End
333	495859	Armature, Magneto	803	497604	Housing, Starter
334	94731	Screw, Sems, Armature Mounting	842	270920	* Seal, Oil Filler Cap
337	491055	Plug, Spark	847	496415	Fill Group, Oil
346	93705	Screw, Hex Head	851	224110	Terminal, Ignition Cable
356	497708	Wire Assembly	868	494435	*** Seal Assembly, Valve
358	495993	Gasket Set	868A	272610	*** Gasket, Valve
363	19203	Puller, Flywheel	871	262835	Bushing, Guide (Intake & Exhaust)
383	89838	Wrench, Spark Plug	872	281361	Cover, Air Cleaner
423	94903	Screw, Sems	875	495862	Body, Air Cleaner
445	493909	Cartridge, Air Cleaner	877	393456	Diode and Connector Assembly
467	493903	Knob, Air Cleaner	947	497672	Solenoid
468	494439	Screen, Flush Rotating	965	94010	Nut, Hex
474	393474	Stator, Alternator	975	495933	Bowl Assembly, Carburetor
482	93621	Screw, Sems	977	494385	Carburetor Gasket Set
503	806000	Strap, Starter	987	281166	** Seal, Throttle Shaft
510	497606	Drive, Starter	1005	281400	Fan, Flywheel
523	495230	Cap and Dipstick, Oil Filler	1006	224413	Retainer, Fan
524	281370	* Seal, Filler Tube	1019	496758	Label Kit
525	496113	Tube, Oil Filler	1022	272475	*** Gasket, Cover
535	272403	Element, Filter	1023	224552	Cover, Rocker Arm
537	281106	* O-Ring, Air Cleaner	1026	494432	Rod, Push, Intake
544	497603	Armature, Starter		495136	Rod, Push, Exhaust
552	491986	Bushing, Governor Crank	1029	224554	Arm, Rocker
562	94907	Bolt, Carriage	1033	495992	Valve Overhaul Kit
592	231978	Nut, Hex	1034	495248	Guide Assembly, Push Rod
601	93053	Clamp, Fuel Pipe	1036	499364	Label Kit, Emissions
614	93306	Pin, Cotter	1044	94673	Screw, Hex Head
615	263080	Retainer	1054	270723	Tie, Cable
618	262803	Spring, Choke Return	1058	272623	Manual, Owner's
634	494453	** Seal, Spring Assy.	1090	497607	Retainer, Brush
634A	494455	** Seal, Spring Assy.	1091	281364	Cap, Limiter
635	280872	Boot, Spark Plug	2500	28N707-1026	Replacement Engine
646	224546	Brace, Air Cleaner	— —	496050	Replacement Shortblock
657	94906	Screw, Sems			
663	94620	Screw, Self-Tapping			
718	230192	Pin, Dowel			
726	399676	Gear, Ring (Includes Mounting Hardware)			
727	490324	Cover, Starter			
728	94951	Screw, Torx®			
729	281390	Clip, Wire			

RPM Settings: Low: 1650-1850, High: 3200-3400

- \* Included in Gasket Set (495993)
- \*\* Included in Carburetor Kit (499233)
- \*\*\* Included in both Gasket Set (495993) and Valve Overhaul Kit (495992)
- \*\*\*\* Included in Gasket Set (495993), Carburetor Kit (499233) and Carburetor Gasket Set (494385)

**NOTE:** All component dimensions given in U.S. inches  
1 inch = 25.4 mm

---

# SERVICE NOTES

---

# CRAFTSMAN®

IMPORT

**Max & ERIK PEDERSEN**  
Aabyvej 69  
DK-8230 Aabyhøj - Aarhus

Telefon 86-15 44 44  
Fax 86-15 41 88

FORHANDLER

