



**REPAIR PARTS MANUAL**  
**MODEL NO. 258320**  
**Lawn Tractor**

*1 9/16" 98.*

---

**CRAFTSMAN®**

# HOW TO USE THIS MANUAL

This manual is designed to provide the customer with a means to identify the parts on his/her tractor when ordering repair parts. The illustrations may or may not represent the actual assemblies; therefore, it is not recommended to use this manual as a guide to assemble or disassemble the tractor. Some hardware and parts are drawn larger in order to more readily identify them.

Each tractor has its own model number.

The model number for your tractor can be found on the fender under the seat.

When ordering parts, always give the following information:

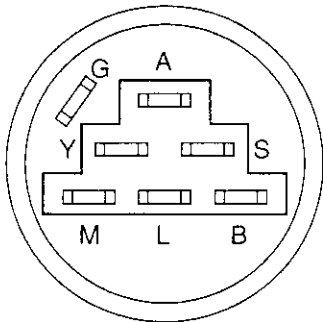
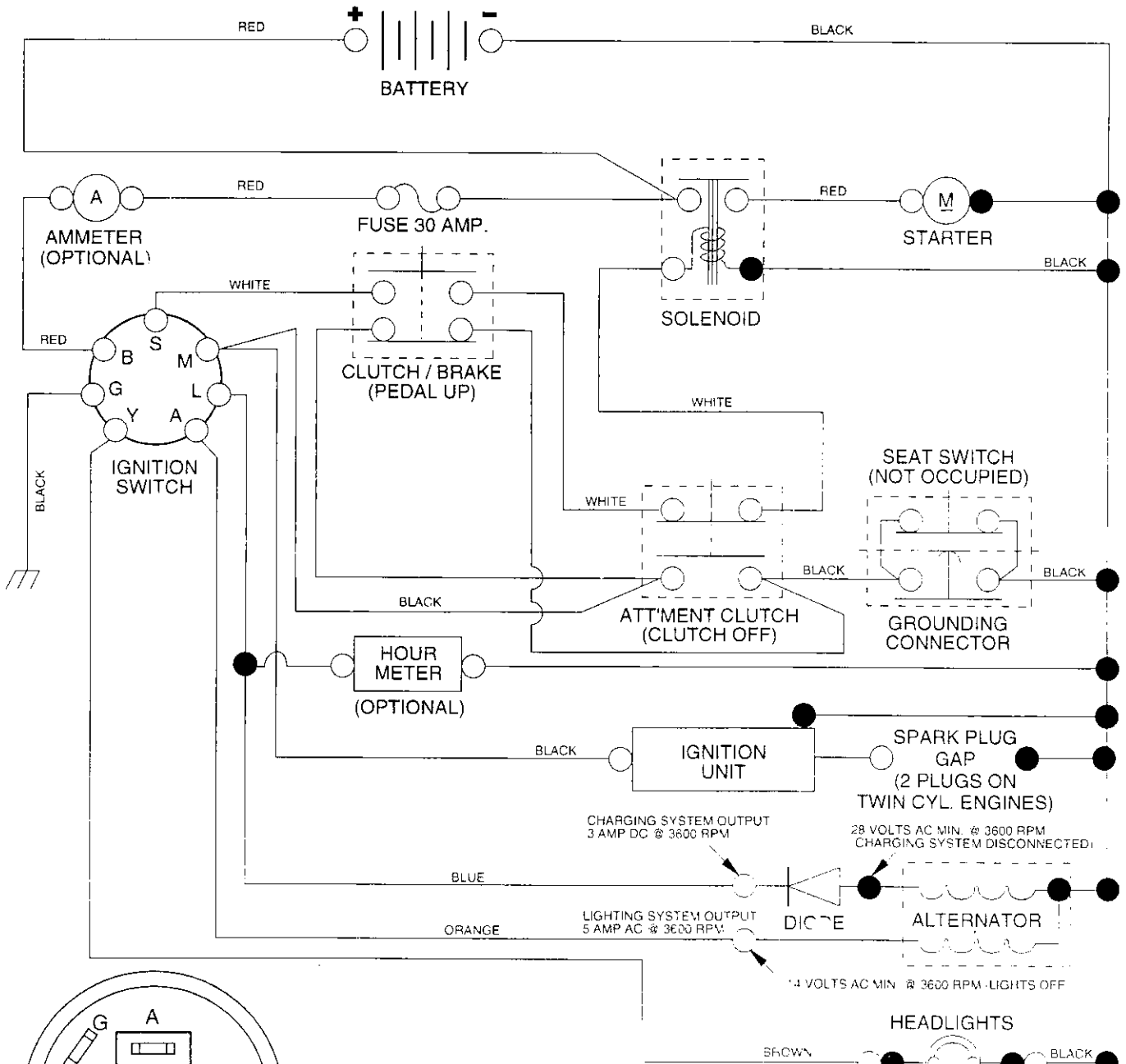
- Product - "Tractor"
- Model Number - "258320"
- Part Number
- Part Description

## TABLE OF CONTENTS

<b>SCHEMATIC .....</b>	<b>3</b>
<b>ELECTRICAL .....</b>	<b>4-5</b>
<b>CHASSIS .....</b>	<b>6-7</b>
<b>DRIVE .....</b>	<b>8-9</b>
<b>STEERING WHEEL .....</b>	<b>10-11</b>
<b>ENGINE .....</b>	<b>12-13</b>
<b>DECALS .....</b>	<b>14</b>
<b>SEAT .....</b>	<b>15</b>
<b>MOWER LIFT LEVER .....</b>	<b>16-17</b>
<b>MOWER DECK .....</b>	<b>18-19</b>
<b>TRANSAXLE .....</b>	<b>20-21</b>

# TRACTOR - MODEL NUMBER 917.258320

## SCHEMATIC

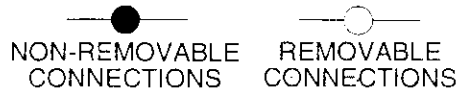


**IGNITION SWITCH**

POSITION	CIRCUIT	"MAKE"
OFF	G + M + L	NONE
RUN/LIGHT	B + L	A + Y
RUN	B + L	NONE
START	B + L + S	NONE

**NOTE**

YOUR TRACTOR IS EQUIPPED WITH A SPECIAL ALTERNATOR SYSTEM. THE LIGHTS ARE NOT CONNECTED TO THE BATTERY, BUT HAVE THEIR OWN ELECTRICAL SOURCE. BECAUSE OF THIS, THE BRIGHTNESS OF THE LIGHTS WILL CHANGE WITH ENGINE SPEED. AT IDLE THE LIGHTS WILL DIM. AS THE ENGINE IS SPEEDED UP, THE LIGHTS WILL BECOME THEIR BRIGHTEST.



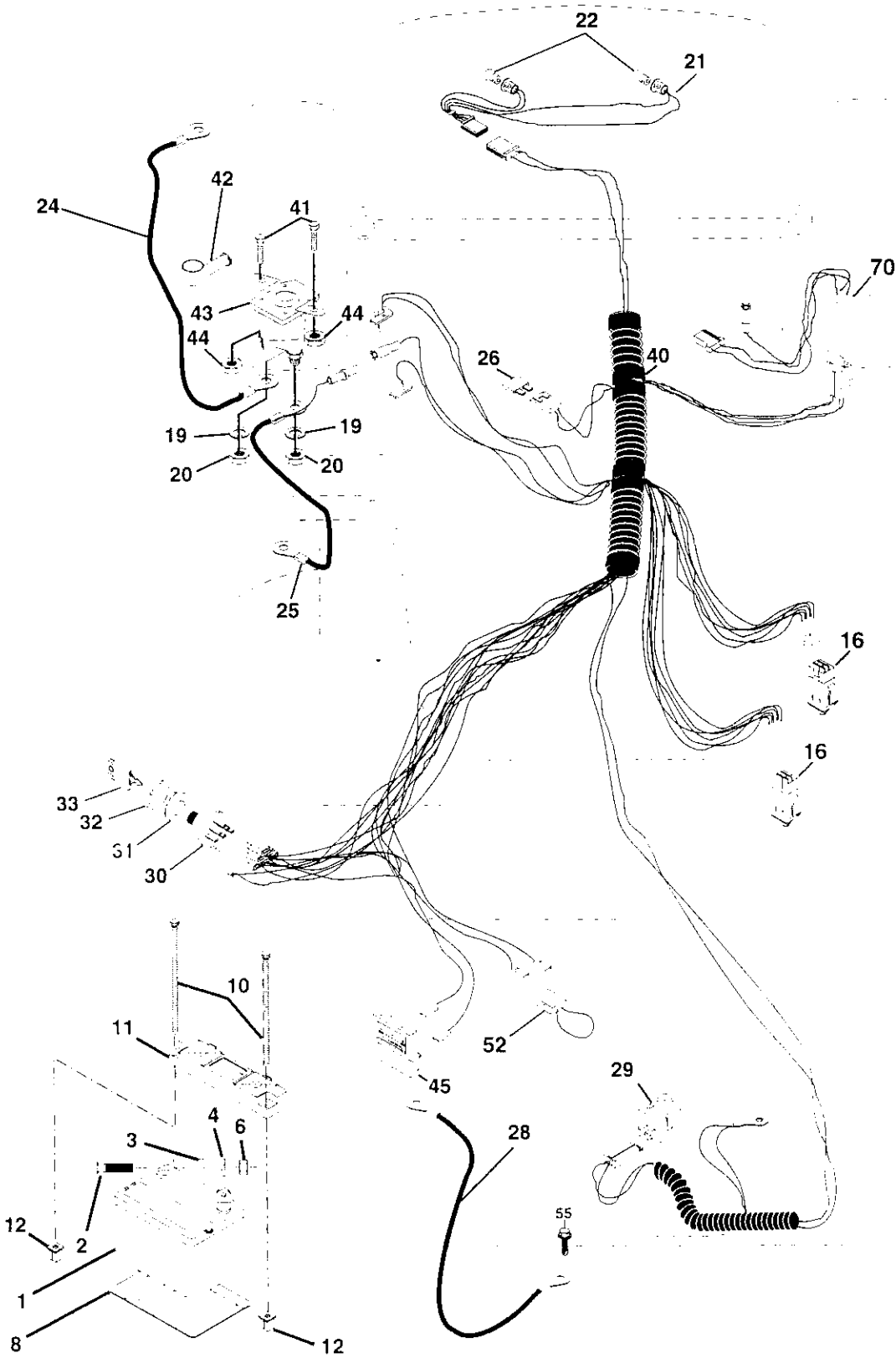
**WIRING INSULATED CLIPS**

**NOTE:** IF WIRING INSULATED CLIPS WERE REMOVED FOR SERVICING OF UNIT, THEY SHOULD BE REPLACED TO PROPERLY SECURE YOUR WIRING.

# REPAIR PARTS

TRACTOR - - MODEL NUMBER 917.258320

## ELECTRICAL



# REPAIR PARTS

## TRACTOR - - MODEL NUMBER 917.258320

### ELECTRICAL

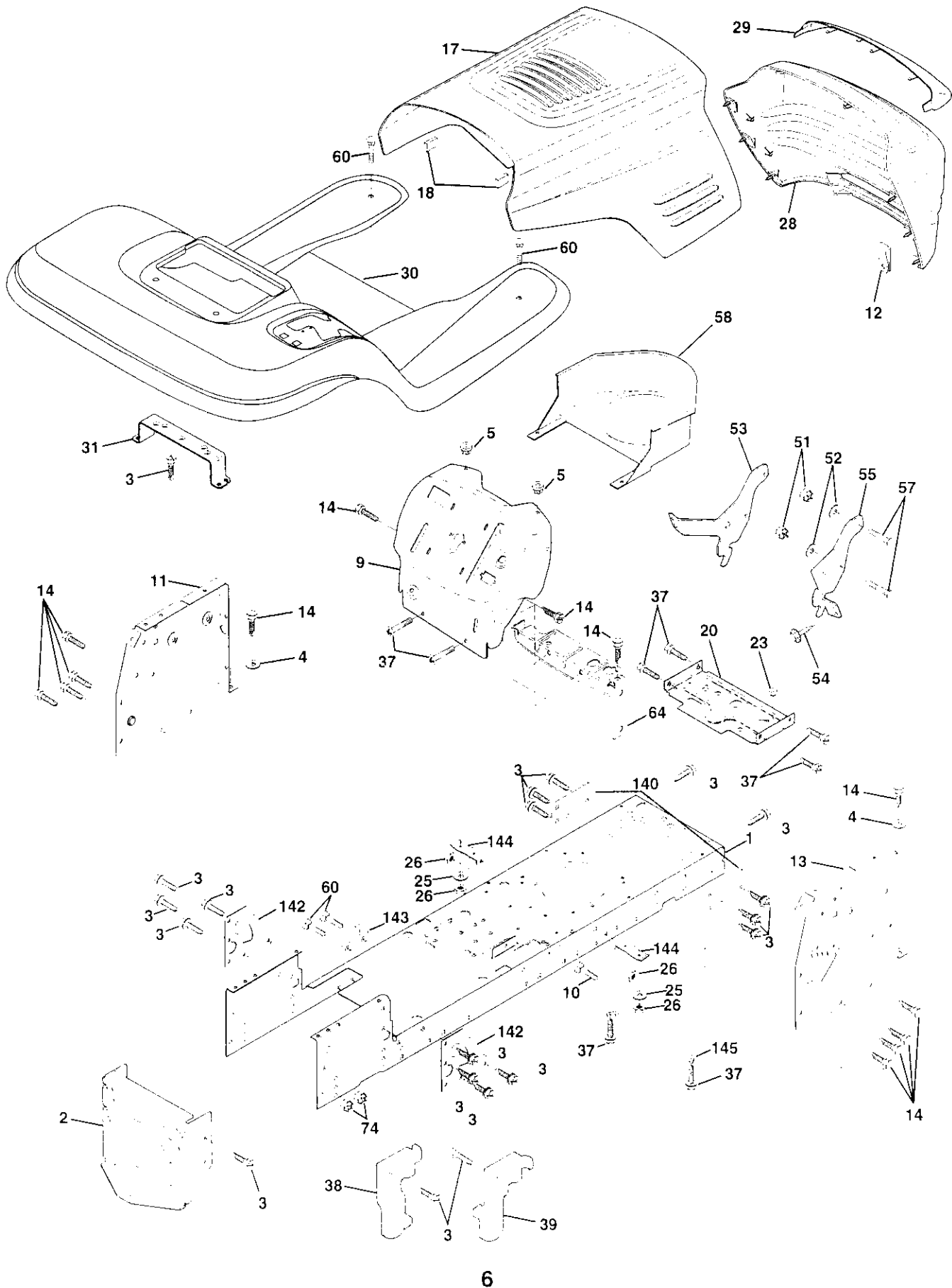
KEY NO.	PART NO.	DESCRIPTION
1	163465	Battery
2	74760412	Bolt, Hex 1/4-20 x 3/4
3	STD551025	Washer 9/32 x 5/8 x 16 Gauge
4	STD551125	Washer, Lock 1/4
6	STD541025	Nut, Hex 1/4-20
8	7603J	Tray, Battery
10	145211	Bolt, Btr Front 1/4-20 x 7-1/2
11	150109	Holddown Battery Front Mount
12	145769	Nut, Push Nylon Battery Front 1/4
16	153664	Switch Interlock Push-In
19	STD551125	Washer, Lock 1/4
20	73350400	Nut, Hex, Jam 1/4-20
21	147430	Harness, Light Socket (w/4152J)
22	4152J	Light Bulb
24	4799J	Cable, Battery
25	146148	Cable, Battery
26	108824X	Fuse
28	145491	Cable, Ground
29	121305X	Switch, Seat
30	140301	Switch, Ignition 4 Position
31	124211X	Nut, Ignition
32	141226	Cover, Ignition Switch
33	109310X	Key, Molded, Craftsman
40	156442	Harness, Ignition
41	71110408	Bolt Blk Fin Hex 1/4-20 UNC x 1/2
42	131563	Cover, Terminal
43	145673	Solenoid
44	73640400	Nut Keps Blk Hex 1/4-20 UNC
45	121433X	Ammeter Rectangular 6 Amp
52	141940	Protection Wire Loop (Hour Meter)
55	17490508	Screw Thdrol 5/16-18 x 1/2
70	140413	Harness Engine B&S/Tec Dual

**NOTE:** All component dimensions given in U.S. inches  
1 inch = 25.4 mm

# REPAIR PARTS

TRACTOR -- MODEL NUMBER 917.258320

## CHASSIS AND ENCLOSURES



# REPAIR PARTS

## TRACTOR - - MODEL NUMBER 917.258320

### CHASSIS AND ENCLOSURES

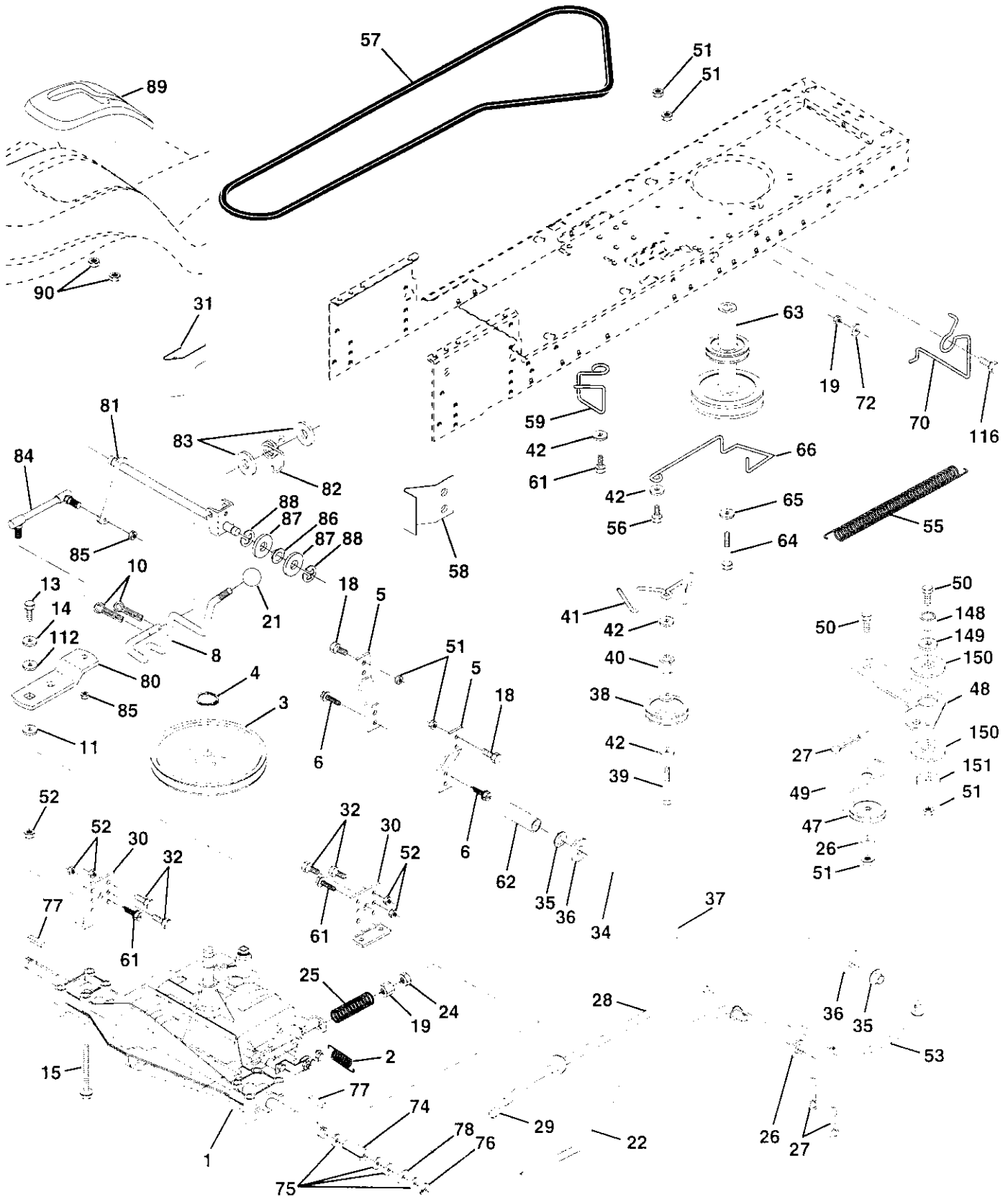
KEY NO.	PART NO.	DESCRIPTION
1	160392	Chassis
2	140356	Drawbar
3	17490612	Screw, Thd., Roll. 3/8-16 x 3/4 Type TT
4	STD551025	Washer 13/32 x 3/4 x 16 Gauge
5	155272	Bumper Hood/Dash
9	161917X012	Dash, Silkscreened
10	STD533710	Bolt, Carriage 3/8-16 x 1
11	155927	Panel, Dash, LH
12	145660	Clip Tinnerman Grille P/L
13	155936	Panel, Dash, RH
14	17490608	Screw, Thd., Roll. 3/8-16 x 1/2 Type TT
17	144983X558	Hood Assembly
18	126938X	Bumber Hood
20	156437	Plate Mtg Battery Fuel Tank
23	124028X	Bushing, Snap, Nylon, Fuel Line
25	19131312	Washer 13/32 x 13/16 x 12 Gauge
26	STD54,437	Locknut, Hex, with Insert 3/8-16 UNC
28	145198X558	Grille, W/Clips MS-558
29	155217	Lens, Grille
30	151287X558	Fender/Footrest
31	139976	Bracket, Fender/Support
37	17490508	Screw, Thdrol. 5/16-18 x 1/2 TYT
38	139886	Pivot Bracket Assembly, LH, Mower, Rear
39	139887	Pivot Bracket Assembly, RH, Mower, Rear
51	73800400	Nut Lock W/Insert 1/4 - 20 UNC
52	19091416	Washer 9/32 X 7/8 X 16 Ga.
53	145201	Bracket Grille Pickoff LH
54	161464	Screw Hex Wshd 8-18 x 7/8
55	145202	Bracket Grille Pickoff RH
57	STD552507	Bolt FinHex 1/4 -20 UNC X.75
58	140547	Air Duct P/L 18HP B&S Opp. Twin
60	STD533707	Bolt Rdhd Sqnk 3/8-16 UNC x 3/4
64	154798	Dash Lower STLT
74	STD541437	Nut Crownlock 3/8-16 UNC
140	158418	Bracket Suspension Front
142	156095	Plate Reinforcement STLT
143	154966	Backrest Swaybar Chassis
144	154207	Bracket Footrest STLT
145	156524	Rod Pivot Chassis/Hood

**NOTE:** All component dimensions given in U.S. inches  
1 inch = 25.4 mm

# REPAIR PARTS

TRACTOR -- MODEL NUMBER 917.258320

## DRIVE





# REPAIR PARTS

## TRACTOR - - MODEL NUMBER 917.258320

### DRIVE

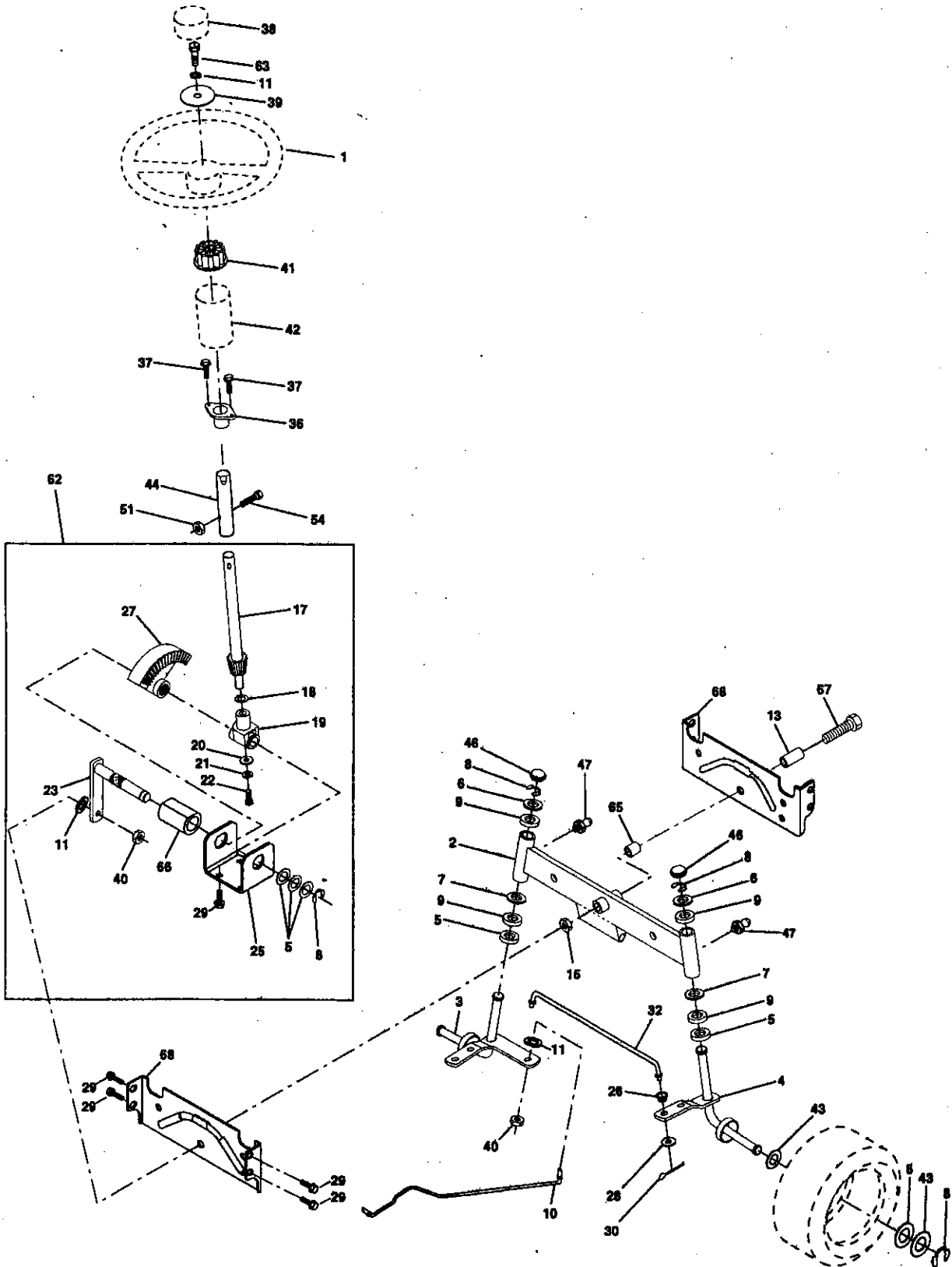
KEY NO.	PART NO.	DESCRIPTION	KEY NO.	PART NO.	DESCRIPTION
1	-----	Transaxle (See Breakdown)	52	STD541431	Nut Crown Lock 5/16-18 UNC
		Dana 4360-122	53	105710X	Link, Clutch
2	146682	Spring, Return, Brake	55	105709X	Spring, Clutch Return
3	123666X	Pulley, Transaxle	56	STD523712	Bolt Fin Hex 3/8-16 x 1-1/4
4	12000028	Ring, Retainer	57	160855	V-Belt, Ground Drive
5	121520X	Strap, Torque	58	127274X	Keeper, Belt, R.H.
6	17490512	Screw, Thd., Roll. 5/16-18 x 3/4	59	140312	Keeper, Belt, Center Span
8	154792	Rod Shifter Fender STLT	61	17490612	Screw, Thd., Roll. 3/8-16 x 3/4
10	STD561210	Pin, Cotter	62	8883R	Cover, Pedal
11	105701X	Washer, Shift Plate	63	140186	Pulley, Engine
13	74550412	Bolt 1/4-28 UNF W/Patch Grade 8	64	71170764	Bolt, Hex Head, Fin. 7/16-20 x 4 Grade 5
14	STD551125	Washer			
15	74490544	Bolt, Hex Flghd 5/16-18 Grade 5	65	STD551143	Washer
18	STD523710	Bolt Fin Hex 3/8-16 UNC x 1. Gr 5	66	154778	Keeper, Belt, Engine, Fool-Proof
19	STD541437	Nut	70	134683	Guide, Mower Drive Belt, R.H.
21	106933X	Knob	72	19132012	Washer 13/32 x 1-1/4 x 12 Gauge
22	130804	Rod, Brake	74	109502X	Spacer, Axle
24	STD541237	Nut	75	121749X	Washer 25/32 x 1-1/4 x 16 Gauge
25	106888X	Spring, Brake Rod	76	STD581075	E-Ring
26	STD551037	Washer	77	123583X	Key, Square 2.0 x .1845/.1865
27	STD561210	Pin	78	121748X	Washer 25/32 x 1-5/8 x 16 Gauge
28	145204	Rod, Parking Brake	80	160783	Arm, Shift
29	124236X	Cap, Parking Brake, Red	81	161077	Shaft Assembly
30	130807	Bracket, Transaxle	82	123782X	Spring, Torsion
31	127275X	Keeper, Belt, L.H.	83	19171216	Washer 17/32 x 3/4 x 16 Gauge
32	STD523107	Bolt	84	145643	Tie Rod
34	155071	Shaft Assembly, Foot Pedal	85	150360	Nut, Nylock
35	120183X	Bearing, Nylon	86	157480	Bushing
36	STD551062	Washer	87	19212016	Washer
37	STD571810	Roll Pin	88	12000008	E-Ring
38	123674X	Pulley, Idler, Flat	89	158391	Console, Shift, STLT
39	STD523727	Bolt	90	124346X	Nut, Self-Threading, Washer Hd 1/4
40	4470J	Spacer, Split .395 x .59	112	19091210	Washer 9/32 x 3/4 x 10 Gauge
41	154777	Keeper, Belt, Idler Fool-Proof	116	72110610	Bolt Rdhd Sqneck 3/8-16 x 1.25
42	19131312	Washer 13/32 x 13/16 x 12 Gauge	148	159103	Spacer
47	127783	Pulley, Idler, V-Groove, Plastic	149	122052X	Spacer Retainer PM Mower
48	154407	Bellcrank Clutch Grnd Driv STL	150	150935	Bushing Nylon Collered
49	123205X	Retainer, Belt	151	19133210	Washer 13/32 x 2 x 10 Ga.
50	STD523715	Bolt			
51	STD541437	Nut Crown Lock 3/8-16 UNC			

**NOTE:** All component dimensions given in U.S. inches  
1 inch = 25.4 mm

# REPAIR PARTS

TRACTOR - - MODEL NUMBER 917.258560

## STEERING ASSEMBLY



# REPAIR PARTS

## TRACTOR - - MODEL NUMBER 917.258320

### STEERING ASSEMBLY

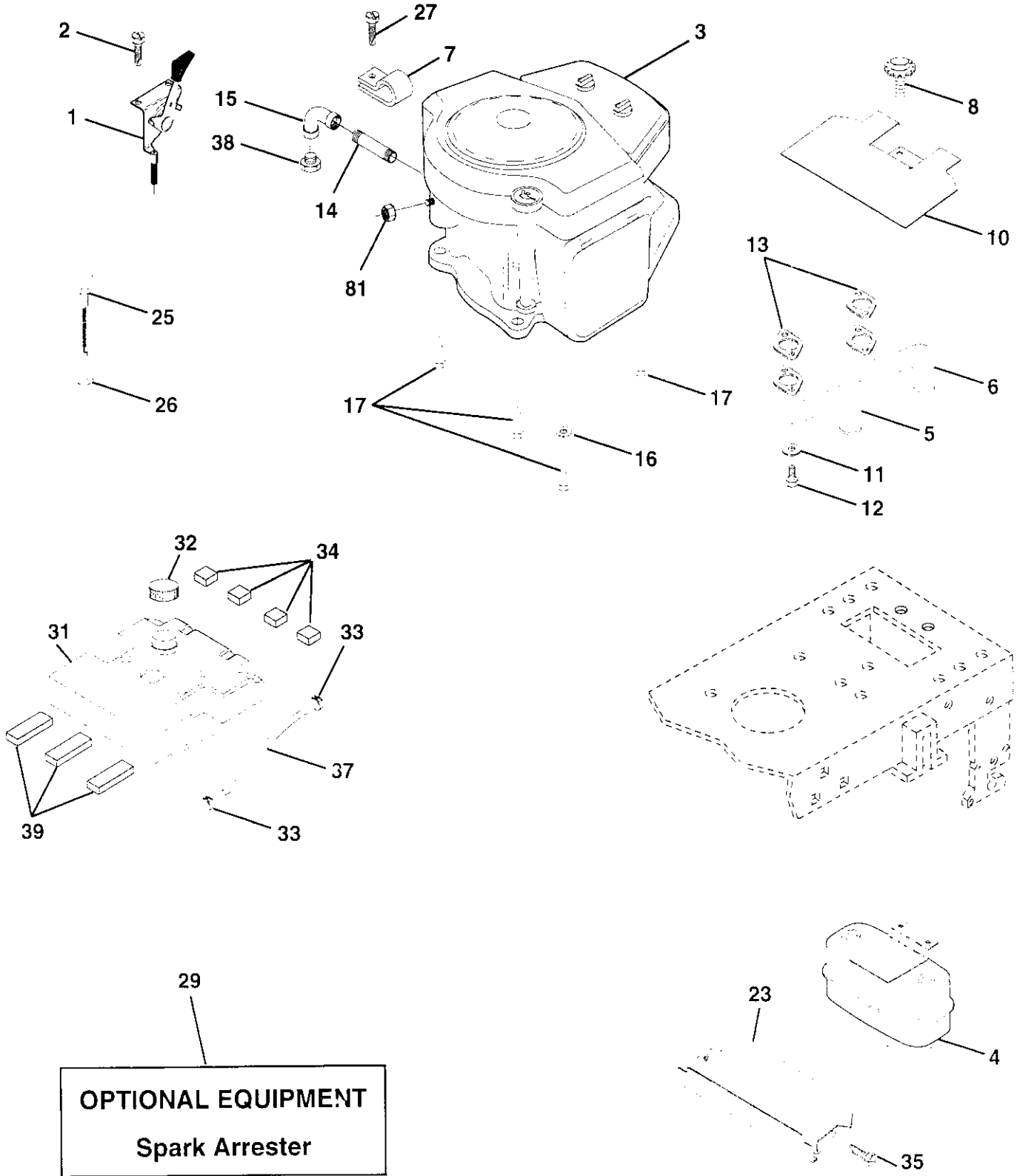
KEY NO.	PART NO.	DESCRIPTION
1	139768	Steering Wheel
2	154427	Axle Assembly STMP Dropped STL
3	156483	Spindle Assembly, L.H.
4	157473	Spindle Assembly, R.H.
5	6266H	Bearing, Race, Thrust, Hardened
6	121748X	Washer 25/32 x 1-5/8 x 16 Gauge
7	19272016	Washer 27/32 x 1-1/4 x 16 Gauge
8	12000029	Ring, Klip
9	3366R	Bearing, Steering Column
10	156438	Draglink Extended Stamped
11	STD551137	Washer, Lock
13	154779	Bearing Axle STLT/GT
15	73901000	Nut, Lock, Flange 5/8-11 UNC
17	156546	Shaft Assembly, Steering
18	57079	Washer, Thrust .515 x .750 x .033
19	124035X	Support, Shaft
20	126684X	Washer, Shim 1/4 x 5/8 x .062
22	71200410	Screw, Hex Socket 1/4-20 x 5/8
23	127501	Pittman Shaft Assembly
25	154406	Bracket, Steering
26	126847X	Bushing, Link, Drag
27	136874	Gear, Sector
28	19131416	Washer 13/32 x 7/8 x 16 Gauge
29	17490612	Screw, Thd., Roll. 3/8-16 x 3/4
30	STD561210	Pin
32	130465	Rod, Tie
36	155099	Bushing, Steering
37	152927	Screw
38	139769	Insert, Steering Wheel
39	19133808	Washer 13/32 x 2-3/8 x 8 Gauge
40	STD541537	Gripco Nut
41	100711L	Adaptor, Steering Wheel
42	145054	Boot, Steering Shaft
43	121749X	Washer 25/32 x 1-1/4 x 16 Gauge
44	153720	Extension Shaft Steering LR.LT
46	121232X	Cap, Spindle
47	6855M	Fitting, Grease
51	STD541431	Nut Lock Hex w/Ins. 5/16-18 UNC
54	74780520	Bolt Fin Hex 5/16-18 UNC x 1-1/4
62	156594	Kit Steering Asm Service
63	STD523710	Bolt, Fin Hex 3/8-16 UNC x 1 Gr 5
65	154780	Spacer Axle
66	154404	Bearing Arm Pittman
67	74781044	Bolt, Fin Hex 5/8-11 UNC x 2-3/4
68	154429	Axle, Brace

**NOTE:** All component dimensions given in U.S. inches  
1 inch = 25.4 mm

# REPAIR PARTS

TRACTOR - - MODEL NUMBER 917.258320

## ENGINE



# REPAIR PARTS

## TRACTOR - - MODEL NUMBER 917.258320

### ENGINE

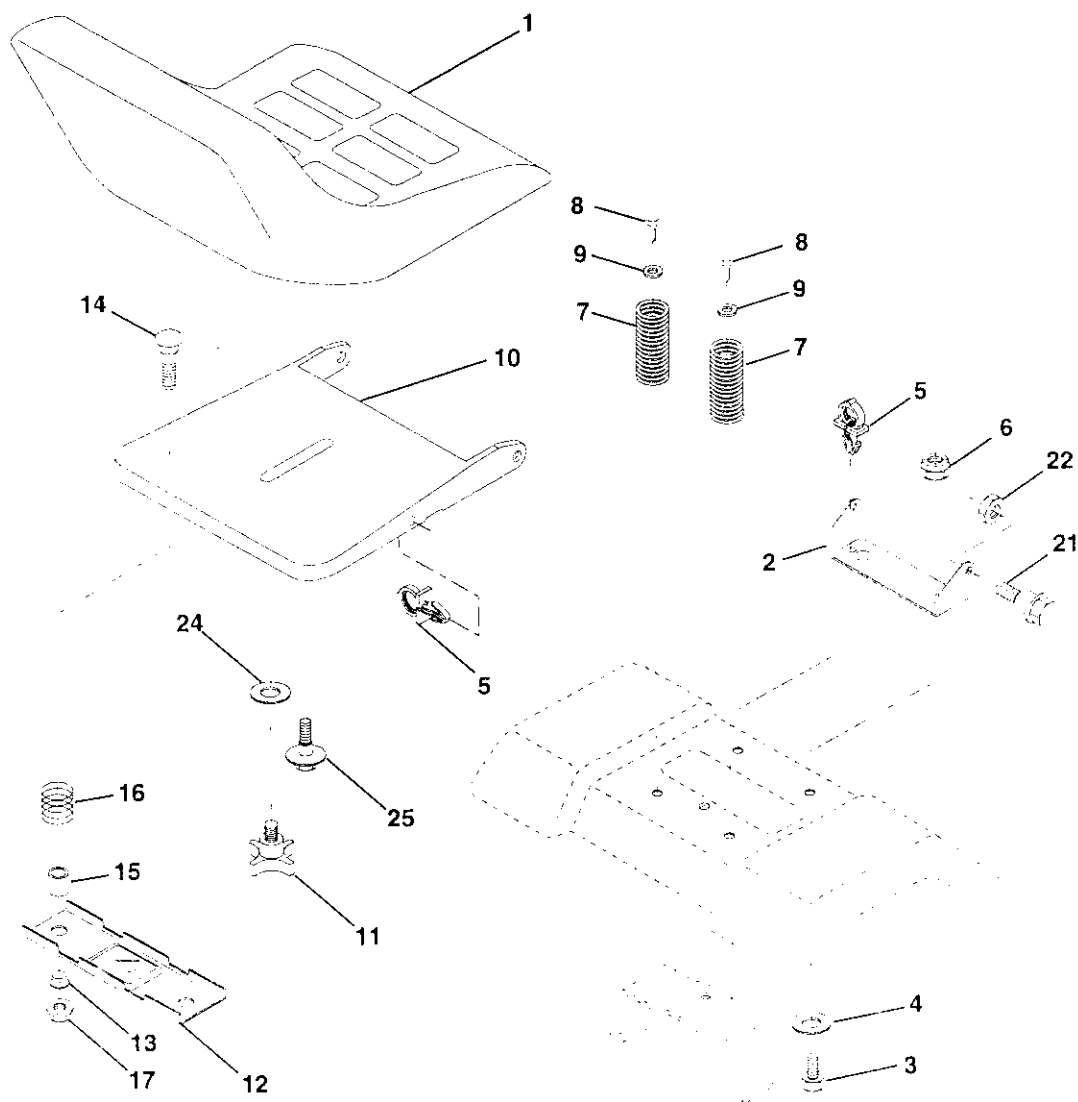
KEY NO.	PART NO.	DESCRIPTION
1	162152	Control Throt Paddle 32 22
2	17720410	Screw Hex Thd Cut 1/4-20x5/8 T
3	-----	Engine (See Breakdown) Briggs Model No. 42E707-2631-E1
4	149723	Muffler Exhaust
5	144069	Exhaust Asm. Left
6	144068	Exhaust Asm. Right
7	138129	Clamp Tube Double Engine
8	150176	Bolt 5/16 - 18 UNC X 3/4 W/Sems
10	145552	Heat Shield Lt
11	STD551125	Washer Lock Hvy. Helical 1/4
12	STD522507	Bolt Fin Hex 1/4-20 x 3/4
13	272250	Gasket Muffler
14	13280336	Nipple Pipe 4-1/2"
15	13200300	Elbow Std 90 Degree 3/8-18 Npt
16	STD551237	Washer Lock Ext Tooth 3/8
17	17490624	Screw Thdrol 3/8-16x1-1/2 Tytt
23	159880	Shield Browning/Debris Guard
25	145996	Control Choke
26	73920600	Nut Keps 3/8-24 Unf
27	152927	Screw TT #10-32 x 5 x 3/8 Flange
29	137180	Arrestor Spark
31	157103	Tank Fuel 3 50 Rear
32	161696	Cap Fuel Guage STLT
33	123487X	Clamp Hose Blk
34	106082X	Spacer Pad
35	17490512	Screw Thdrol 5/16-18 x 3/4 TYT
37	8543R	Line Fuel
38	-----	Plug Oil Drain (Order From Engine Manufacturer)
39	109227X	Pad Idler 1.75 x .75 x .06
81	128861	Nut, Flange 1/4-20 Starter Nut

**NOTE:** All component dimensions given in U.S. inches  
1 inch = 25.4 mm

# REPAIR PARTS

## TRACTOR - - MODEL NUMBER 917.258320

### SEAT ASSEMBLY



KEY NO.	PART NO.	DESCRIPTION
1	140123	Seat
2	140551	Bracket Pnt Pivot Seat (blk )
3	STD523710	Bolt Fin Hex 3/8-16 UNC x 1
4	19131610	Washer Flat 13/32 x 1 x 10 Ga
5	145006	Clip Push-In
6	STD541437	Nut Lock Hex W/Ins 3/8 -16 UNC
7	124181X	Spring Seat Cprsn 2 250 Blk Zi
8	17490616	Screw 3/8-16x1
9	19131614	Washer 13/32 x 1 x 14 Ga
10	155925	Pan Pnt Seat (blk )
11	120068X	Knob Seat 1/2-13unc Blk
12	121246X	Bracket Pnt Mounting Switch

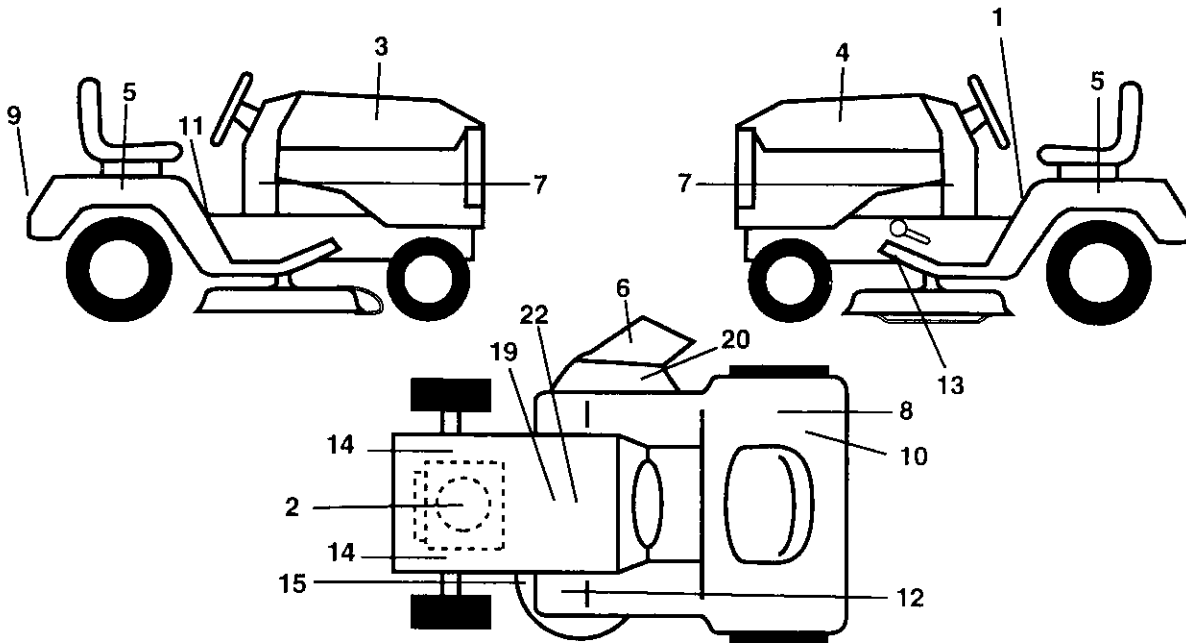
KEY NO.	PART NO.	DESCRIPTION
13	121248X	Bushing Snap Blk Nyl 50 Id
14	72050412	Bolt Rdhd Sht Nk 1/4-20x1-1/2
15	134300	Spacer Split 28 X 96 Zinc
16	121250X	Spring Cprsn 1 27 Blk Pnt
17	123976X	Nut Lock 1/4 Lge Flg Gr 5 Zinc
21	153236	Bolt Shoulder 5/16-18 Unc
22	STD541431	Nut Lock Hex W/Ins 5/16-18
24	19171912	Washer 17/32 X 1-3/16 X 12 Ga
25	127018X	Bolt Shoulder 5/16-18 X 62

**NOTE:** All component dimensions given in U.S. inches  
1 inch = 25.4 mm

# REPAIR PARTS

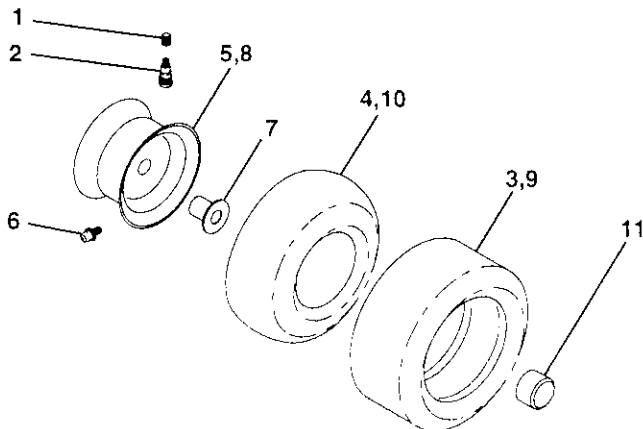
## TRACTOR -- MODEL NUMBER 917.258320

### DECALS



KEY NO.	PART NO.	DESCRIPTION	KEY NO.	PART NO.	DESCRIPTION
1	145498	Decal Read Owners Manual Symo	13	146046	Decal V-belt Dr Sch Tractor E
2	273503	Decal Engine B&S	14	159736	Decal Chassis Hot Muffler
3	163200	Decal Hood Rh Craftsman	15	160396	Decal Mower Drive Schematic
4	163202	Decal Hood Lh Craftsman	19	138047	Decal Battery Diehard Sears
5	163207	Decal Fender Sd. Sht. Rad/6sp 42"	20	163203	Decal Deck Mower EZ3 Mulching
6	145494	Decal Mower Cutting Symbol	22	145005	Decal Battery
7	163259	Decal Panel Dash B&S 19.5 Turbo	--	162598	Decal Drawbar Load Limit
8	145437	Decal Europe Stand Ce	--	138311	Decal Lift Handle
9	163204	Decal Fender Craftsman Gold	--	154515	Pad Footrest Lh STLT
10	126187X	Decal 100 DBA Cer Dutch/Fre	--	154516	Pad Footrest Rh STLT
11	156368	Decal Fender STLT Oper Inst E/S	--	164499	Manual, Oper (Euro)
11	140837	Decal Saddle Brake Parking	--	164500	Manual, Oper (Scan)
12	159737	Decal Brake/Clutch Symbol Lt	--	164501	Manual, Parts

### WHEELS & TIRES



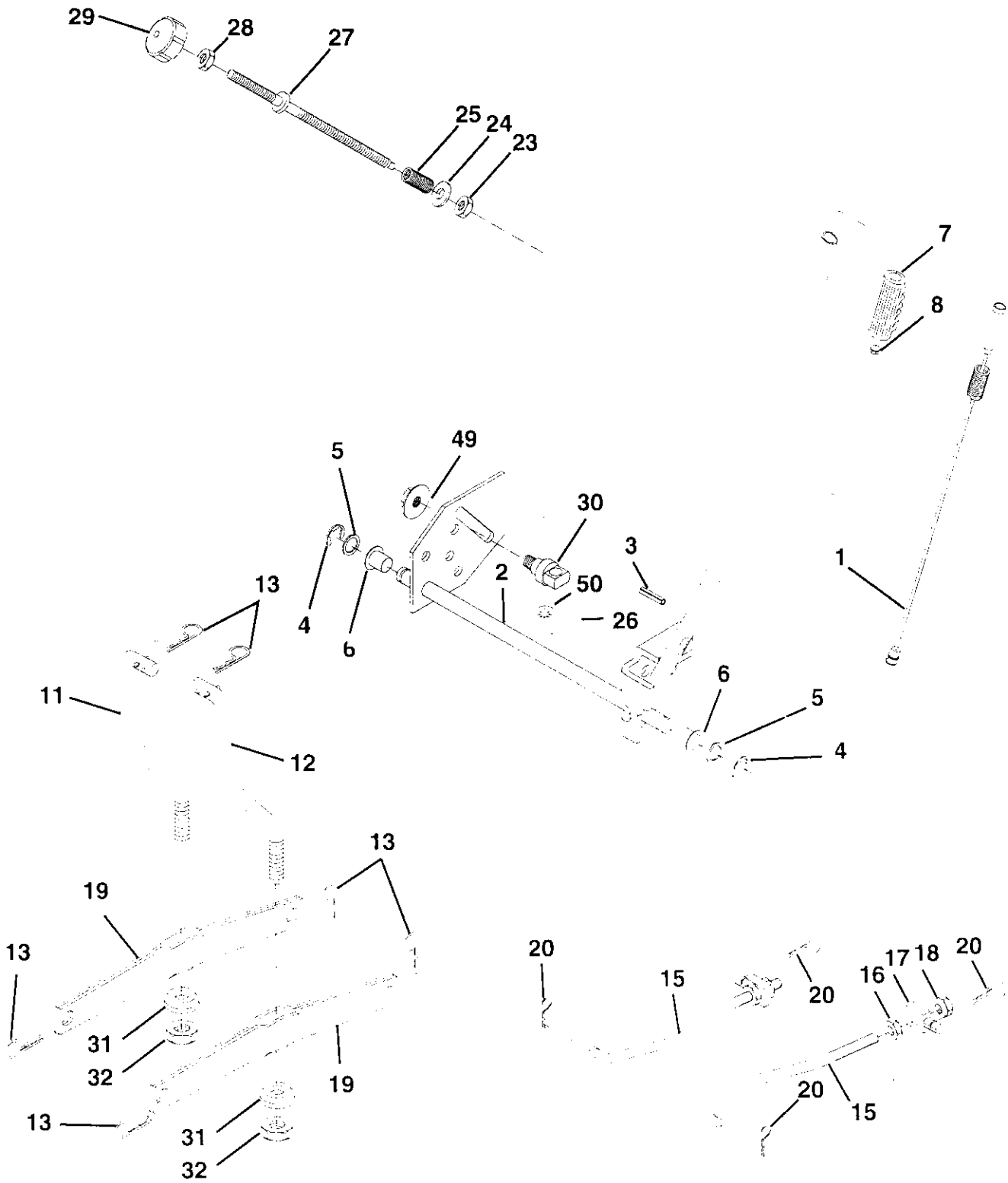
KEY NO.	PART NO.	DESCRIPTION
1	59192	Valve Cap, Tire
2	65139	Stem, Valve
3	106222X	Tire, Front
4	59904	Tube, Front Tire (Not Provided, Service Item Only)
5	106732X427	Rim, Front
6	278H	Fitting, Grease (Front Wheel Only)
7	9040H	Bearing, Flange (Front Wheel Only)
8	106108X427	Rim, Rear
9	122082X	Tire, Rear
10	7152J	Tube, Rear Tire (Not Provided, Service Item Only)
11	104757X	Cap, Axle
--	144334	Sealant, Tire (10 oz. Tube)

**NOTE:** All component dimensions given in U. S. inches  
1 inch = 25.4 mm

# REPAIR PARTS

TRACTOR -- MODEL NUMBER 917.258320

## MOWER LIFT





# REPAIR PARTS

## TRACTOR - - MODEL NUMBER 917.258320

### MOWER LIFT

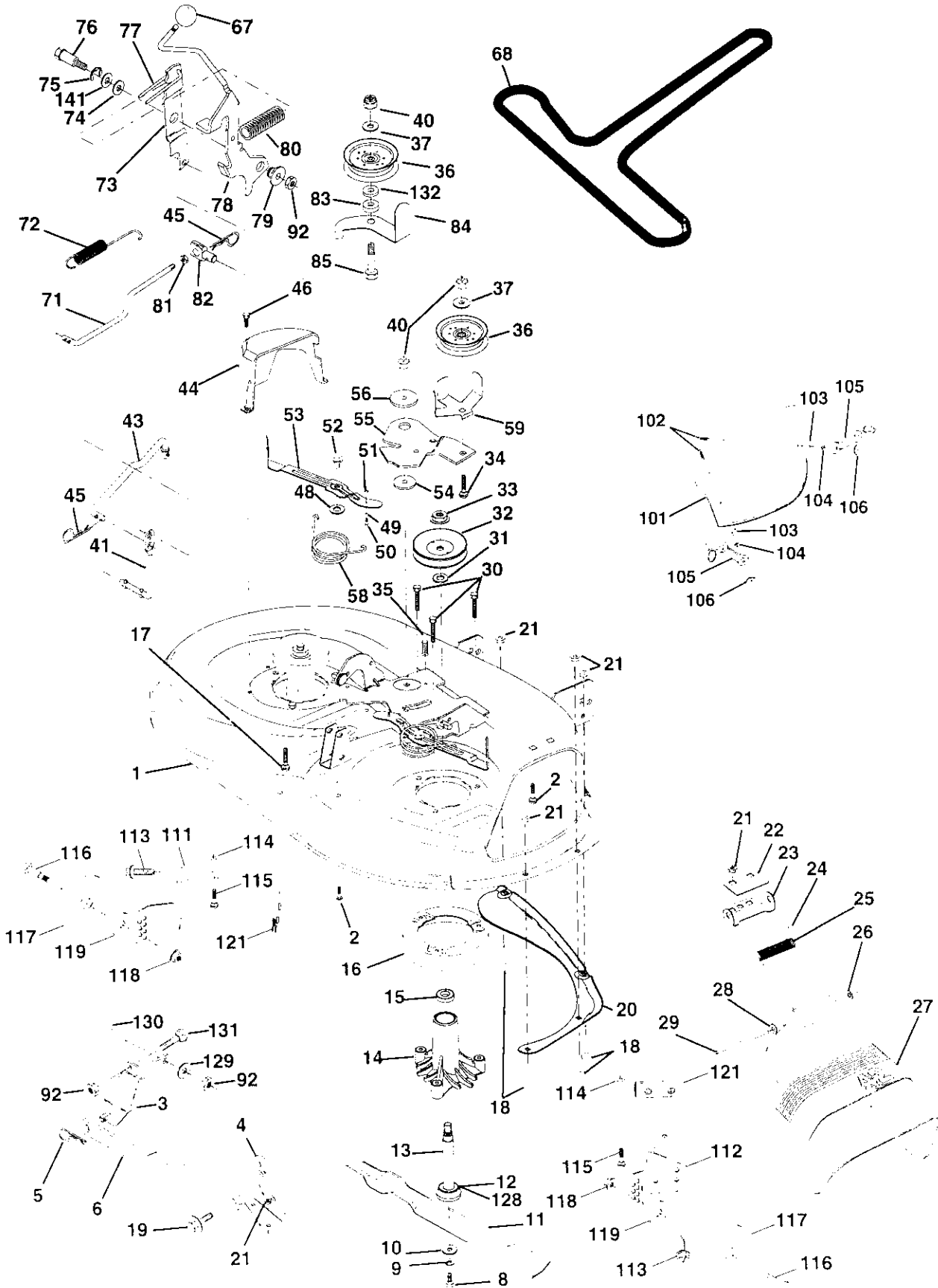
KEY NO.	PART NO.	DESCRIPTION
1	159460	Wire Assy., Inner/Spring w/Plunger
2	159471	Shaft Asm. Lift
3	105767X	Pin Groove
4	12000002	E Ring #5133-62
5	19211621	Washer 21/32 x 1 x 21 Ga.
6	120183X	Bearing Nylon
7	125631X	Grip Handle Fluted
8	122365X	Button Plunger Read
11	139865	Link Lift Lh Fixed Length
12	139866	Link Lift Rh Fixed Length
13	STD624008	Retainer Spring
15	127218	Link Front
16	73350800	Nut Jam Hex 1/2-13 Unc
17	130171	Trunnion Blk Zinc
18	73680800	Nut Lock 1/2-13 Unc
19	139868	Arm Suspension Rear
20	163552	Retainer Spring
23	110807X	Nut Spring
24	19131016	Washer 13/32 x 5/8 x 16 Ga.
25	2876H	Spring 2-1/8"
26	76020308	Pin cotter 3/32 x 1/2
27	126971X	Rod Adj. Lift
28	73350600	Nut Hex Jam 3/8-16
29	138057	Knob Inf. 3/8-16
30	150233	Trunnion Infin. Height
31	140302	Bearing, Pivot, Lift, Special
32	73540600	Nut, Crownlock 3/8-24
49	145212	Nut Flange Lock
50	110452X	Nut Push Phos & Oil

**NOTE:** All component dimensions given in U.S. inches  
1 inch = 25.4 mm

# REPAIR PARTS

TRACTOR - - MODEL NUMBER 917.258320

## MOWER DECK



# REPAIR PARTS

## TRACTOR - - MODEL NUMBER 917.258320

### MOWER DECK

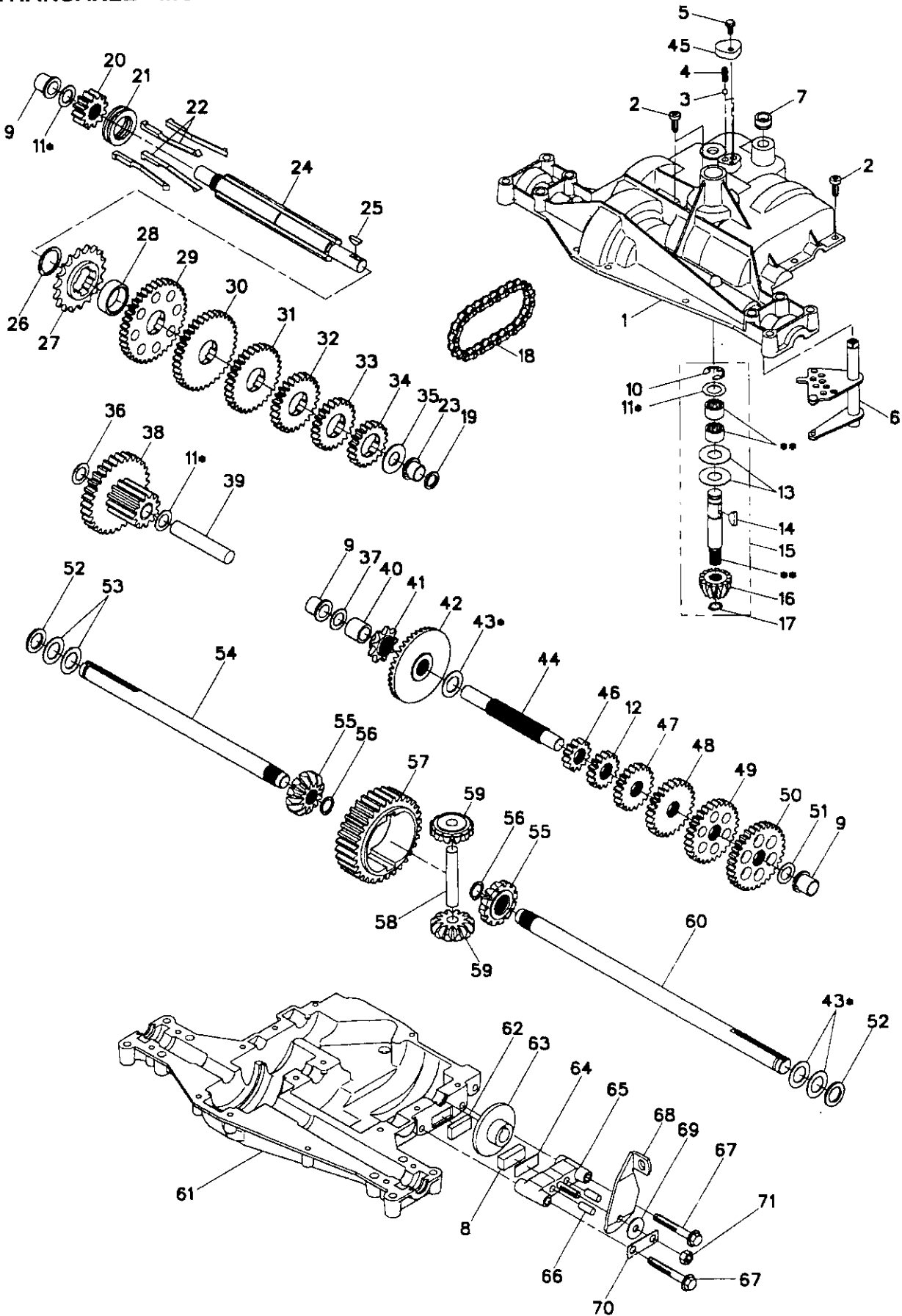
KEY NO.	PART NO.	DESCRIPTION	KEY NO.	PART NO.	DESCRIPTION
1	144393	Mower Deck Assembly, 42"	58	140086	Spring, Torsion, Brake
2	STD533107	Bolt	59	141043	Guard, Idler
3	138017	Bracket Asm Fr. Sway Bar	67	162113	Knob Custom Oval
4	138440	Bracket Asm Deck 42" Sway Bar	68	144200	V-Belt, 42" Mower
5	STD624008	Retainer Spring	71	142427	Rod, Clutch, Primary
6	130832	Arm, Suspension, Rear	72	131870	Spring, Extension, Return
8	850857	Bolt 3/8-24 x 1.25 Grade 8	73	127847	Arm, Clutch, Secondary
9	STD551137	Washer, Lock	74	121748X	Washer 25/32 x 1-5/8 x 16 Gauge
10	140296	Washer, Hardened	75	12000029	Ring, Klip
11	134149	Blade, Mulching, 42" Mower Deck	76	128903	Bolt, Shoulder 3/8-16 UNC x 1.44
12	129895	Bearing, Ball	77	127845	Keeper, Spring
13	137645	Shaft Assembly, Mandrel, Vented (Includes Key Number 12)	78	160570	Arm, Clutch, Primary
14	128774	Housing, Mandrel, Vented	79	127498	Bushing, Large, Brass
15	110485X	Bearing, Ball, Mandrel	80	153701	Spring, Mower Clutch
16	140329	Stripper, Vented Mower Deck	81	73350600	Nut, Hex, Jam 3/8-16
17	72110610	Bolt, Carriage 3/8-16 x 2-1/4	82	142028	Trunnion
18	72140505	Bolt, Carriage 5/16-18 x 5/8	83	120958X	Washer, Sintered
19	132827	Bolt, Shoulder	84	156084	Keeper, Belt Idler
20	159770	Baffle, Vortex	85	72140618	Bolt RdHd Sqnk 3/8-16 x 2-1/4
21	STD541431	Nut Crownlock 5/16-18	92	STD541437	Locknut, Hex W/Wash Insert
22	134753	Stiffener Bracket	101	136420	Mulcher cover
23	131267	Bracket, Deflector	102	71161010	Screw
24	105304X	Cap, Sleeve	103	19061216	Washer #10
25	123713X	Spring, Torsion, Deflector	104	STD551110	Washer, Lock
26	110452X	Nut, Push	105	160793	Latch Assembly, Bagger
27	130968	Shield, Deflector	106	2029J	Nut, Weld
28	19111016	Washer 11/32 x 5/8 x 16 Gauge	111	155197	Bracket, Gauge, Wheel L.H.
29	131491	Rod, Hinge	112	155198	Bracket, Gauge, Wheel R.H.
30	157722	Screw thd Rolling Washer Head	113	17490512	Screw, Thdrol 5/16 -18 x 3/4
31	129963	Washer, Spacer	114	STD541431	Nut, Hex Keps 5/16-18 UNC
32	153535	Pulley, Mandrel	115	72110504	Bolt, Carriage 5/16 UNC x 1/2
33	137266	Nut, Flanged, Toplock 9/16	116	137644	Bolt, Shoulder
34	STD533717	Bolt	117	133957	Wheel, Gauge
35	133835	Fastner, Christmas Tree	118	73930600	Nut, Centerlock 3/8-16
36	131494	Pulley, Idler, Flat	119	STD551037	Washer 3/8 x 7/8 x 14 Ga.
37	STD551037	Washer 13/32 x 13/16 x 16 Gauge	121	143723	Bracket, Extruded Gauge Wheel
40	STD541437	Nut, Crownlock	128	153390	Washer Felt
41	133551	Rod, Pivot, with Nibs	129	19131312	Washer 13/32 x 13/16 x 12 Ga
43	140083	Rod, Clutch, Secondary, with Nibs	130	STD523710	Bolt Fin Hex 3/8-16 UNC x 1 Gr5
44	140088	Guard, Mandrel, LH	131	STD533710	Bolt Rdhd Sqnk 3/8-16 UNC x 1
45	STD624003	Retainer	132	19132203	Spacer Washer 13/32 I.D. x 1-3/8 O.D. x 1/4
46	137729	Screw, Hex Hd, Thdcut 1/4-20 x 5/8	141	6266H	Washer Thrust .75 x 1.230
48	133944	Washer, Hardened	--	130794	Mandrel Assembly (Includes Key Numbers 8-10, 12-15, 31 and 33)
49	155066	Roller Assembly, Cam Follower	--	145411	Mower Deck, Complete (Standard Deck; Order Mulcher Plate and Gauge Wheel Components Separately - Key Nos. 101-106, 111-119, 121)
50	131340	Bolt, Shloulder #10-24 Grade 5			
51	STD541410	Locknut			
52	139888	Bolt, Shoulder 5/16-18 UNC			
53	131845	Arm Assembly, Pad, Brake			
54	133943	Washer, Hardened			
55	155046	Arm, Idler			
56	122052X	Spacer, Retainer			

**NOTE:** All component dimensions given in U.S. inches  
1 inch = 25.4 mm

# REPAIR PARTS

TRACTOR - - MODEL NUMBER 917.258320

DANA TRANSAXLE - MODEL NUMBER 4360-122



# REPAIR PARTS

## TRACTOR - - MODEL NUMBER 917.258320

### DANA TRANSAXLE - MODEL NUMBER 4360-122

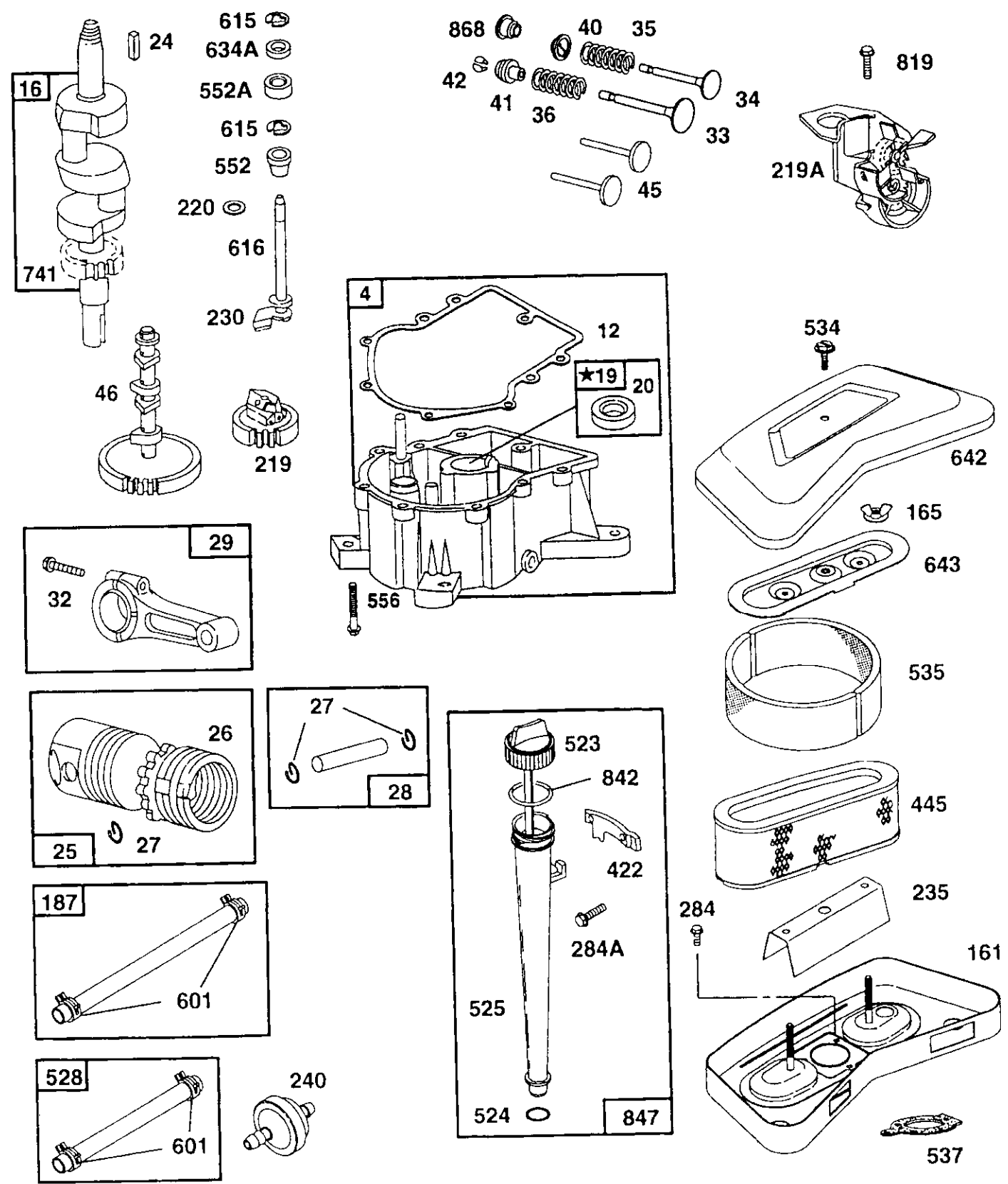
KEY PART NO. NO.	DESCRIPTION	KEY PART NO. NO.	DESCRIPTION
1 160955	Housing, Upper	37 2231J	Washer, Plain, .632 X 1.00 X .031
2 2274J	Screw, Tapping, 1/4-20 X .734	38 160944	Assy, Gear, Comb., 12T & 30T
3 134400	Ball, Detent	39 124639X	Shaft, Idler
4 105904X	Spring, Detent	40 120472X	Spacer, .633 X .87 X .755
5 160940	Screw, Tapping, No. 10-24 X .482	41 105928X	Sprocket, 9T
6 134788	Assy, Kit, Shifter	42 161565	Gear, Bevel, 36T
7 108727X	V-Ring	43 134394	Assy, Kit, Shim, .750 Shaft
8 120951X	Puck, Friction	44 120473X	Shaft, Drive
9 148266	Bearing, Flange	45 160942	Cover, Detent
10 2225J	Ring, Retaining	46 142678	Gear, Spur, 12T
11 134793	Assy, Kit, Shim, .625 Shaft	47 124641X	Gear, Spur, 20T
12 143697	Gear, Spur, 15T	48 106589X	Gear, Spur, 25T
13 120415X	Washer, Plain, .632 X 1.38 X .046	49 120408X	Gear, Spur, 28T
14 142674	Key, Woodruff, No. 9	50 105937X	Gear, Spur, 31T
15 161563	Assy, Kit, Input Shaft	51 2226J	Washer, Plain, .632 X 1.00 X .060
16 161564	Pinion, Bevel, 12T	52 134401	Washer, Neoprene
17 105909X	Ring, Retaining	53 2264J	Washer, Plain, .758 X 1.25 X .031
18 105910X	Chain, 24 Pitches	54 160946	Axle, LH
19 148269	Seal, Oil	55 160947	Gear, Miter, 12T, Splined
20 160943	Gear, Spur, 12T	56 160948	Ring, Retaining
21 138246	Collar, Clutch	57 110071X	Gear, Spur, 32T
22 138238	Assy, Kit, Clutch Keys	58 120952X	Shaft, Cross
23 148268	Bearing, Flange	59 160949	Gear, Miter, 12T, Idler
24 143673	Shaft, Intermediate	60 160950	Axle, RH
25 2244J	Key, Woodruff, No. 61	61 160951	Housing, Lower
26 105916X	Ring, Retaining	62 120961X	Puck, Friction
27 120470X	Sprocket, 18T	63 7294J	Disc, Brake
28 110070X	Spacer, 1.131 X 1.45 X .494	64 108989X	Spacer, Brake Puck
29 142677	Gear, Spur, 37T	65 160952	Jaw, Brake
30 142681	Gear, Spur, 35T	66 120954X	Pin, Dowel
31 124644X	Gear, Spur, 30T	67 160953	Screw, Tapping, 5/16-18 X 2.35
32 108980X	Gear, Spur, 25T	68 138244	Lever, Actuating
33 120406X	Gear, Spur, 22T	69 108996X	Washer, Plain, .321 X 1.00 X .055
34 134796	Gear, Spur, 19T	70 160954	Bracket, Anti-Rotation
35 105925X	Washer, Plain, .640 X 1.37 X .061	71 73810500	Nut, Lock, 5/16-24
36 2228J	Washer, Plain, .632 X 1.00 X .046	72 120416X	Grease

**NOTE:** All component dimensions given in U.S. inches  
1 inch = 25.4 mm

# REPAIR PARTS

TRACTOR - - MODEL NUMBER 917.258320

RIGGS & STRATTON ENGINE - MODEL NUMBER 42E707, TYPE NUMBER 2631-E1



# REPAIR PARTS

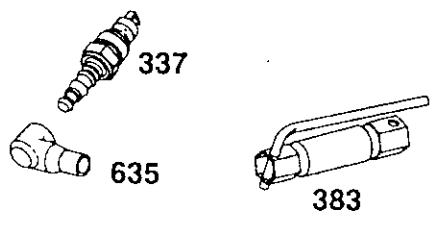
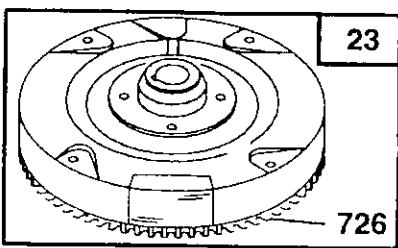
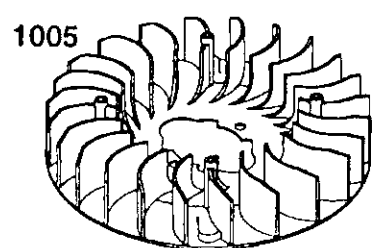
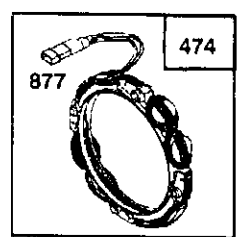
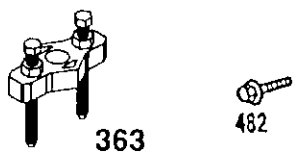
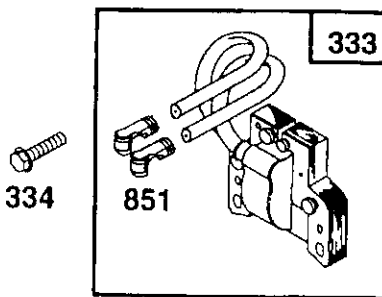
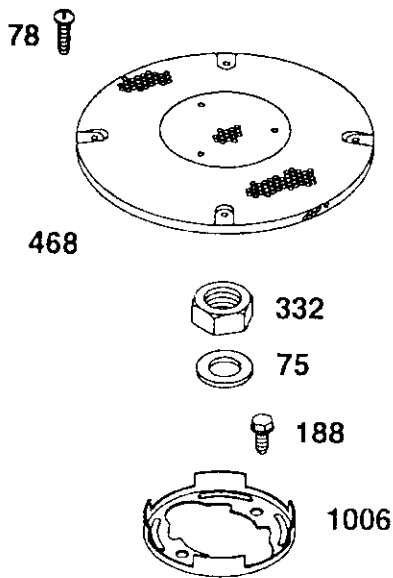
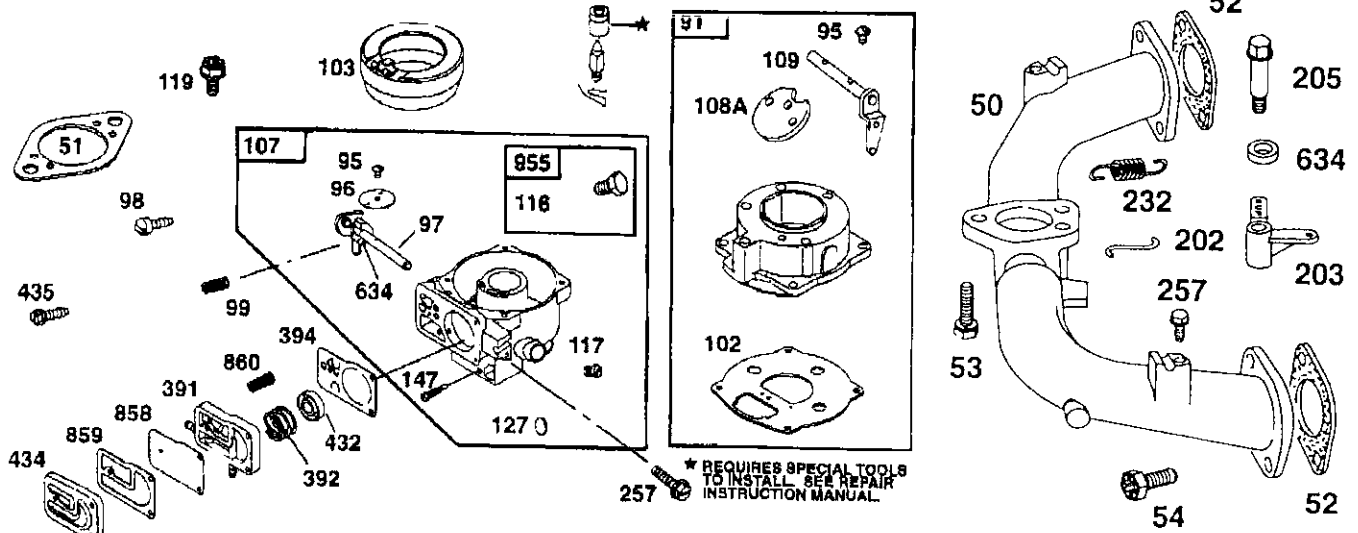
TRACTOR - - MODEL NUMBER 917.258320

BRIGGS & STRATTON ENGINE - MODEL NUMBER 42E707, TYPE NUMBER 2631-E1

## 358 GASKET SET

## 861 PUMP REPAIR KIT

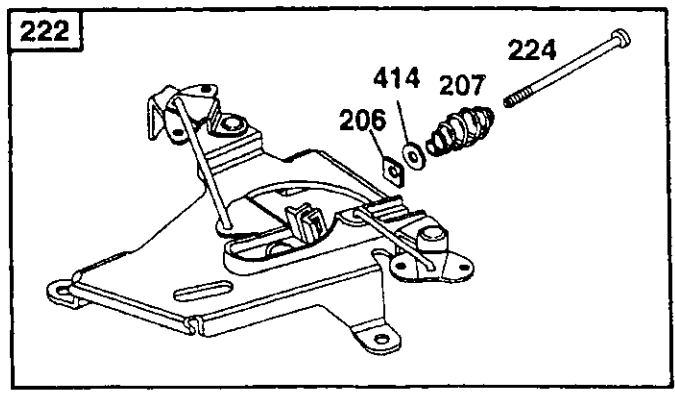
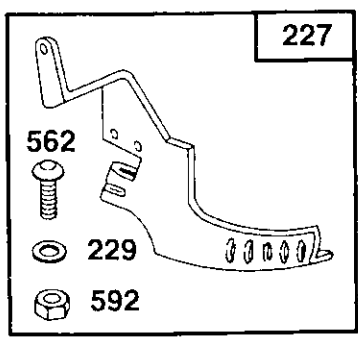
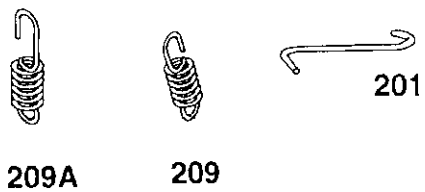
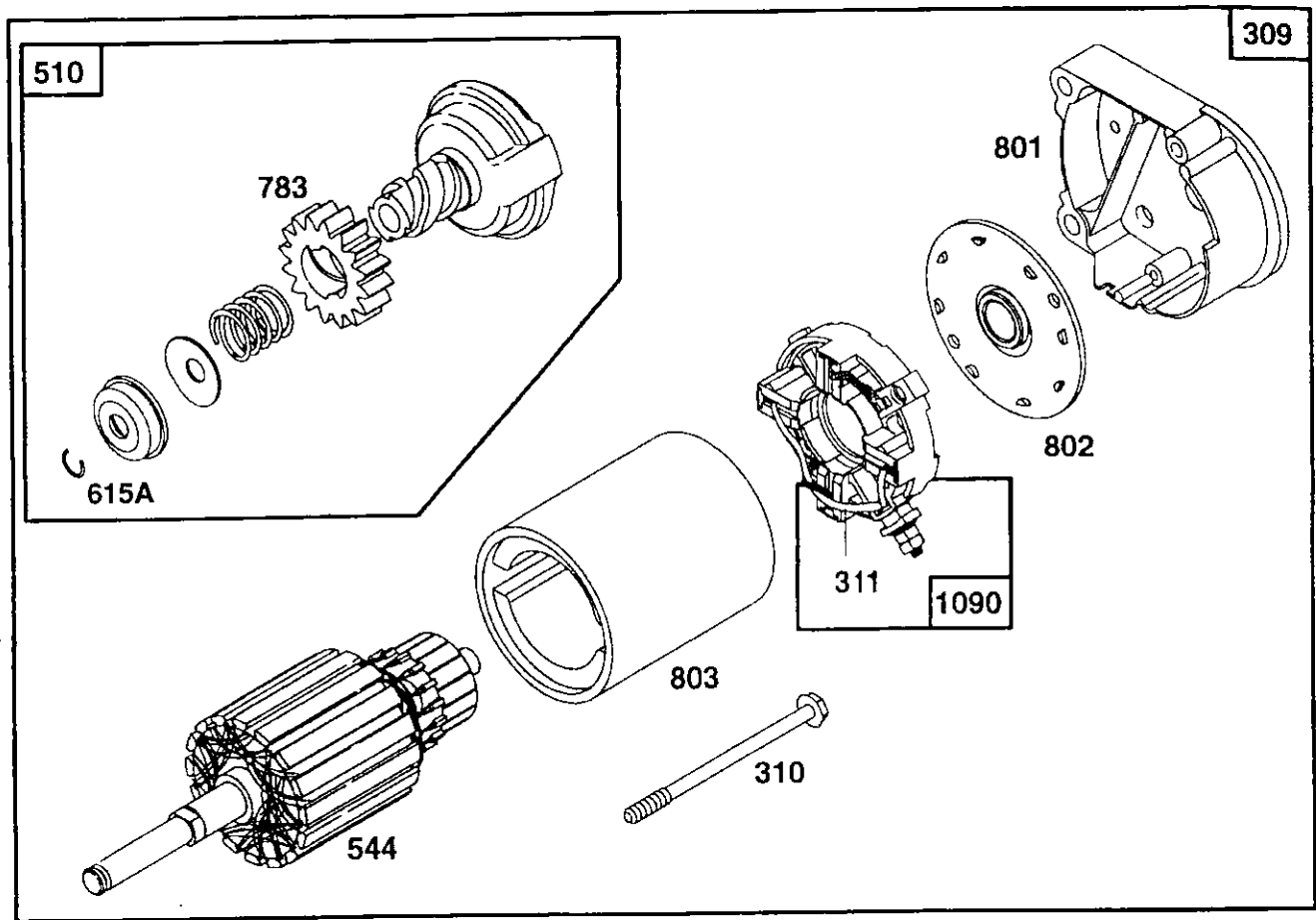
## 121 CARBURETOR KIT



# REPAIR PARTS

TRACTOR -- MODEL NUMBER 917.258320

BRIGGS & STRATTON ENGINE - MODEL NUMBER 42E707, TYPE NUMBER 2631-E1

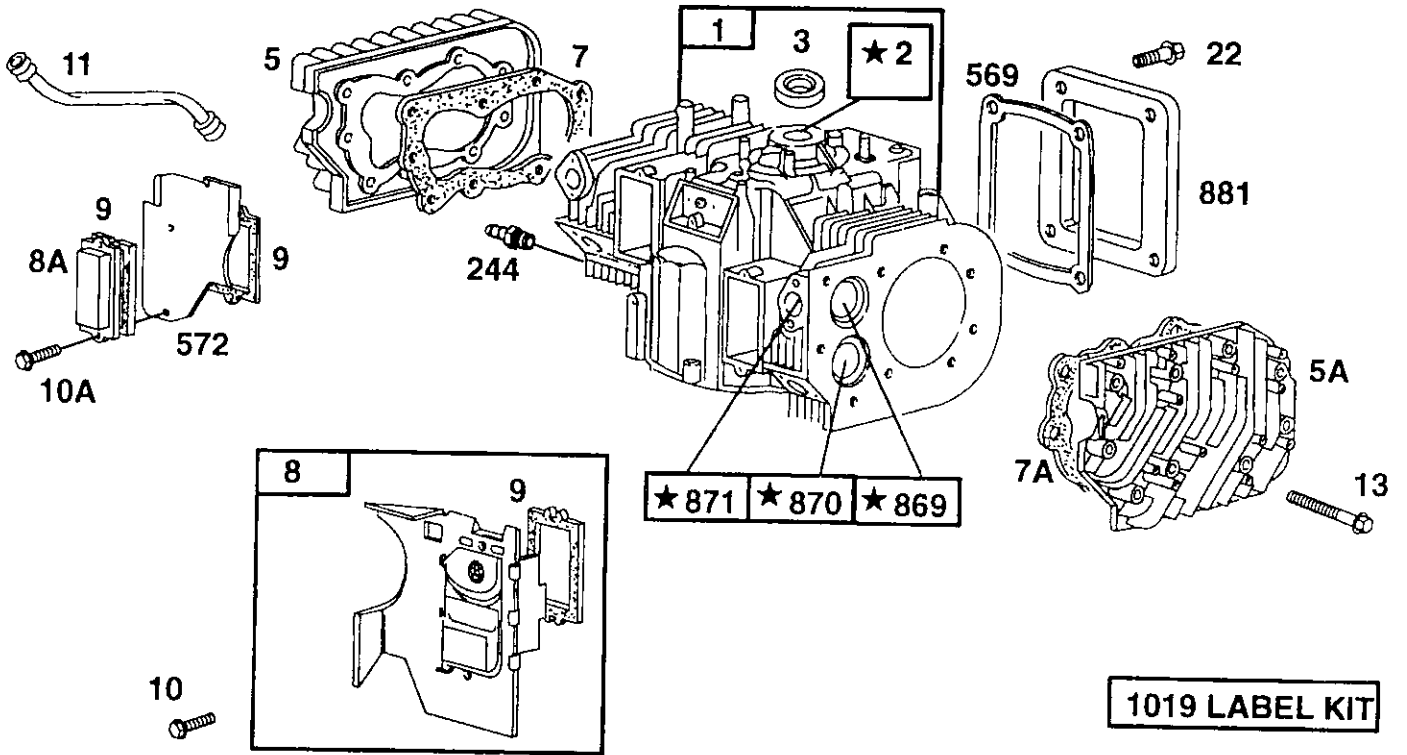




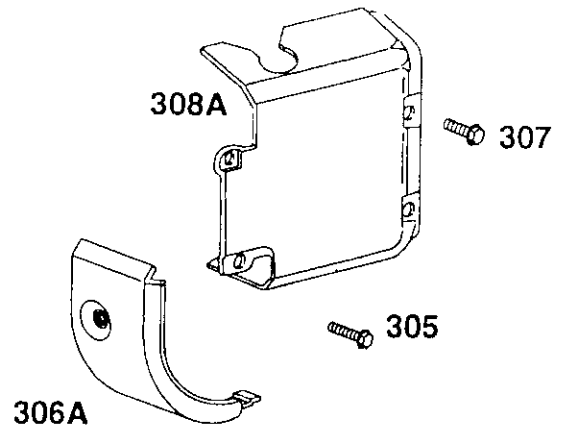
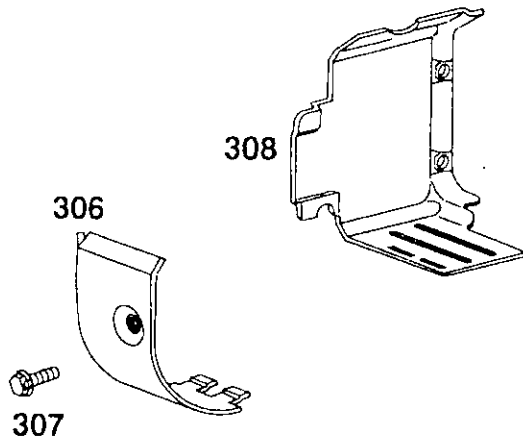
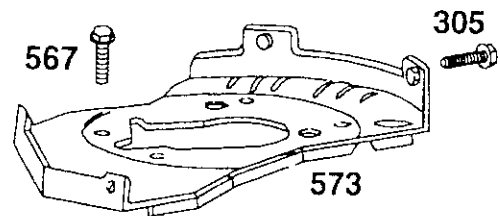
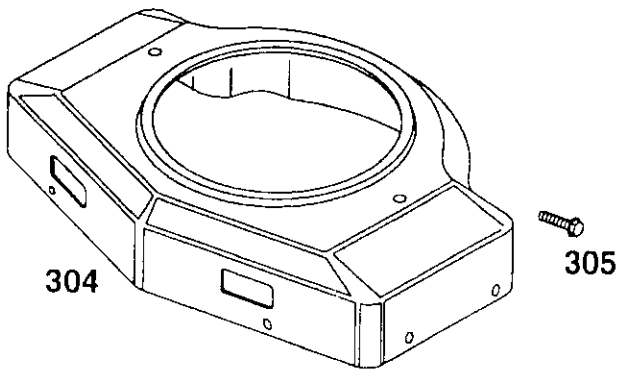
# REPAIR PARTS

TRACTOR - - MODEL NUMBER 917.258320

BRIGGS & STRATTON ENGINE - MODEL NUMBER 42E707, TYPE NUMBER 2631-E1



★ REQUIRES SPECIAL TOOLS TO INSTALL. SEE REPAIR INSTRUCTION MANUAL.



# REPAIR PARTS

## TRACTOR - - MODEL NUMBER 917.258320

### BRIGGS & STRATTON ENGINE - MODEL NUMBER 42E707, TYPE NUMBER 2631-E1

KEY PART NO.	NO.	DESCRIPTION	KEY PART NO.	NO.	DESCRIPTION
1	497074	Cylinder Assembly	54	93208	Screw, Phillips
2	399265	Bushing	75	222511	Washer, Spring
3	391086	* Seal, Oil	78	95039	Screw, Hex
4	493304	Sump, Engine	91	499281	Body Assembly, Upper
5	493457	Head, Cylinder #1	95	93499	Screw, Sems
5A	493458	Head, Cylinder #2	96	221939	Valve, Throttle
7	271867	* Gasket, Cylinder Head #1	97	499172	Shaft, Throttle
7A	271868	* Gasket, Cylinder Head #2	98	91920	Screw, Fillister Head
8	495754	Breather Assembly #1	99	26157	Spring, Throttle Adjust
8A	222892	Cover, Breather Cylinder #2 (Used Only on Key #572, Air Baffle with Holes for Mounting)	102	271607	** Gasket, Carburetor Body
9	27803	* Gasket, Breather	103	298514	Float, Carburetor
10	94382	Screw, Sems	104	231435	** Pin, Float Hinge
10A	94830	Screw, Sems	105	394682	** Valve, Needle
11	280225	Tube, Breather	107	499655	Body Assembly, Lower
12	273208	* Gasket, Crankcase, .015" Thick	108	225373	Valve, Choke
	271188	* Gasket, Crankcase, .005" Thick	109	392673	Shaft, Choke
	271189	* Gasket, Crankcase, .009" Thick	116	280474	* O-Ring
13	94565	Screw, Cylinder Head	117	232018	Jet, Needle Valve, Fixed
15	94239	Plug, Oil Drain		232022	Jet, Needle Valve, Fixed, High Altitude
16	394028	Crankshaft	119	94152	Screw, Hex Head
	94196	Timing Gear Key	121	491539	Carburetor Kit
19	399264	Bushing	125	19306	Carburetor
20	291675	* Seal, Oil	127	223472	** Plug, Welch
22	94724	Screw, Sems	161	496599	Base, Air Cleaner
23	491180	Flywheel	165	94289	Nut, Wing
24	222698	Key, Flywheel	187	299146	Line, Fuel, 28" Long (Cut to Suit)
25	498584	Piston Assembly, Standard Size	188	94627	Screw
	498585	Piston Assembly, .010" Oversize	201	262683	Link
	498586	Piston Assembly, .020" Oversize	202	262684	Link
	498587	Piston Assembly, .030" Oversize	203	280997	Crank, Bell
26	394959	Ring Set, Standard Size	205	93971	Screw, Hex Head
	394960	Ring Set, .010" Oversize	206	94298	Nut
	394961	Ring Set, .020" Oversize	207	262337	Spring, Control, Rod
	394962	Ring Set, .030" Oversize	209	262352	Spring, Governor
27	263129	Lock, Piston Pin	209A	261563	Spring, Governor Idle
28	498009	Pin, Piston, Standard Size	219	394348	Gear, Governor
	391286	Pin, Piston, .005" Oversize	219A	393415	Oil Slinger
29	394306	Rod, Connecting, Standard Size	220	222773	Washer, Thrust
	397158	Rod, Connecting, .020" Undersize	222	491282	Bracket, Control
32	94671	Screw, Connecting Rod	224	94297	Screw, Torx®
33	390420	Valve, Exhaust			* Included in Gasket Set (495868)
34	261528	Valve, Intake			** Included in Carburetor Kit (491539)
35	65906	Spring, Valve, Intake			*** Included in Carburetor Kit (491539), and Pump Repair Kit (393397)
36	26828	Spring, Valve, Exhaust			**** Included in Gasket Set (495868), and Carburetor Kit (491539)
40	221596	Retainer, Valve, Intake			
41	292260	Retainer, Valve, Exhaust			
42	494553	Keeper, Valve			
45	261368	Tappet, Valve			
46	214484	Gear, Cam			
50	213290	Manifold, Intake			
51	271412	**** Gasket, Carburetor Mounting			
51A	281412	Spacer, Carburetor			
52	270884	* Gasket, Intake Manifold Mounting			
53	93970	Screw, Hex Head, Carburetor to Manifold			

**NOTE:** All component dimensions given in U.S. inches  
1 inch = 25.4 mm

# REPAIR PARTS

## TRACTOR - - MODEL NUMBER 917.258320

### BRIGGS & STRATTEN ENGINE - MODEL NUMBER 42E707, TYPE NUMBER 2631-E1

KEY PART NO.	NO.	DESCRIPTION	KEY PART NO.	NO.	DESCRIPTION
227	491297	Lever Assembly, Governor	556	93585	Screw, Hex Head
229	62199	Washer	562	93853	Bolt, Governor Lever
230	223882	Washer, Governor Crank, Inside	567	94811	Screw, Hex Head,
235	224995	Shield, Fuel Spray			Back Plate to Cylinder
240	394358	Filter, Fuel	569	272645	* Gasket, Base
244	230318	Connector, Fuel Line	572	224816	Baffle, Air, Cylinder #2
257	93897	Screw, Sems	573	491304	Plate, Back
284	94674	Screw, Hex Head	592	92278	Nut, Hex.
284A	94882	Screw, Hex Head	601	93053	Clamp, Hose
304	495469	Housing, Blower, Red	615	94296	Retainer, E-Ring
305	94786	Screw, Sems	615A	263080	Retainer
306	222846	Shield, Cylinder	616	491530	Crank, Governor
306A	223734	Shield, Cylinder	634	271013	** Washer, Throttle Shaft
307	94930	Screw, Self-Tapping	634A	491287	* Seal, Governor Shaft
308	224774	Cover, Air Guide	635	66538	Boot, Spark Plug
308A	224775	Cover, Air Guide	642	225008	Cover, Air Cleaner
309	497596	Motor, Starter	643	496700	Plate, Air Cleaner
310	94003	Bolt, Thru	653	93585	Screw, Hex Head
311	497608	Brush Set	726	391362	Gear, Ring (Includes Mounting Parts)
332	230674	Nut, Hex	741	262989	Gear, Timing
333	394891	Armature, Magneto	783	280104	Gear, Starter
334	94731	Screw, Sems	801	394860	Cap, Drive
337	802592	Plug, Spark	802	497607	Cap, End
356	494705	Wire, Stop	803	497604	Housing, Starter
358	495868	Gasket Set	819	94675	Screw, Hex Head
363	19203	Flywheel Puller	842	270920	* Seal, Cap
383	89838	Wrench, Spark Plug	847	495715	Tube Assembly, Oil
391	280197	Body, Pump	851	493880	Terminal, Cable
392	261395	*** Spring, Diaphragm	858	270989	*** Diaphragm, Carburetor
394	272638	*** Diaphragm, Carburetor	859	271025	*** Gasket, Pump
414	220680	Washer	860	261358	*** Spring, Diaphragm
422	222875	Bracket, Oil Fill	861	393397	Repair Kit, Pump
432	221377	*** Cap, Spring	868	497212	Seal, Valve
434	223688	Cover, Diaphragm	869	261463	Seat, Valve, Intake
435	93829	Screw, Diaphragm Cover	870	213316	Seat, Valve, Exhaust
445	394019	Filter, Air	871	261961	Bushing, Guide (Exhaust Only)
468	497908	Screen, Rotating		231218	Bushing, Guide (Intake, Brass)
474	393474	Alternator	877	393456	Wire, Alternator
482	93621	Screw,	881	495901	Plate, Cover
510	497606	Drive, Starter	955	397882	Plug and Seal, Solenoid
523	494947	Cap, Oil Fill	1005	281053	Fan, Flywheel
524	271157	* Seal, Fill Tube	1006	224901	Retainer, Fan
525	495348	Tube, Oil Fill (Includes Seals)	1019	496726	Label Kit
528	393815	Hose, Vacuum	1090	497605	Retainer, Brush
534	94823	Screw, Air Cleaner			
535	272490	Filter, Air			
537	271411	**** Gasket, Air Cleaner			
544	497603	Armature, Starter			
552	262332	Lower Bushing, Governor			
552A	262331	Upper Bushing, Governor			

**NOTE:** All component dimensions given in U.S. inches  
1 inch = 25.4 mm

---

# SERVICE NOTES

---