



REPAIR PARTS MANUAL
MODEL NO. 258321
Lawn Tractor

19 Hk

CRAFTSMAN®

HOW TO USE THIS MANUAL

This manual is designed to provide the customer with a means to identify the parts on his/her tractor when ordering repair parts. The illustrations may or may not represent the actual assemblies; therefore, it is not recommended to use this manual as a guide to assemble or disassemble the tractor. Some hardware and parts are drawn larger in order to more readily identify them.

Each tractor has its own model number.

The model number for your tractor can be found on the fender under the seat.

When ordering parts, always give the following information:

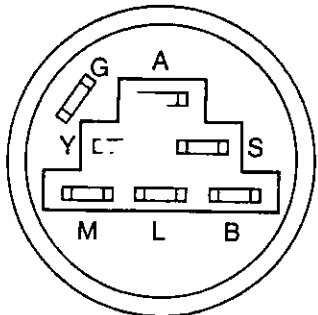
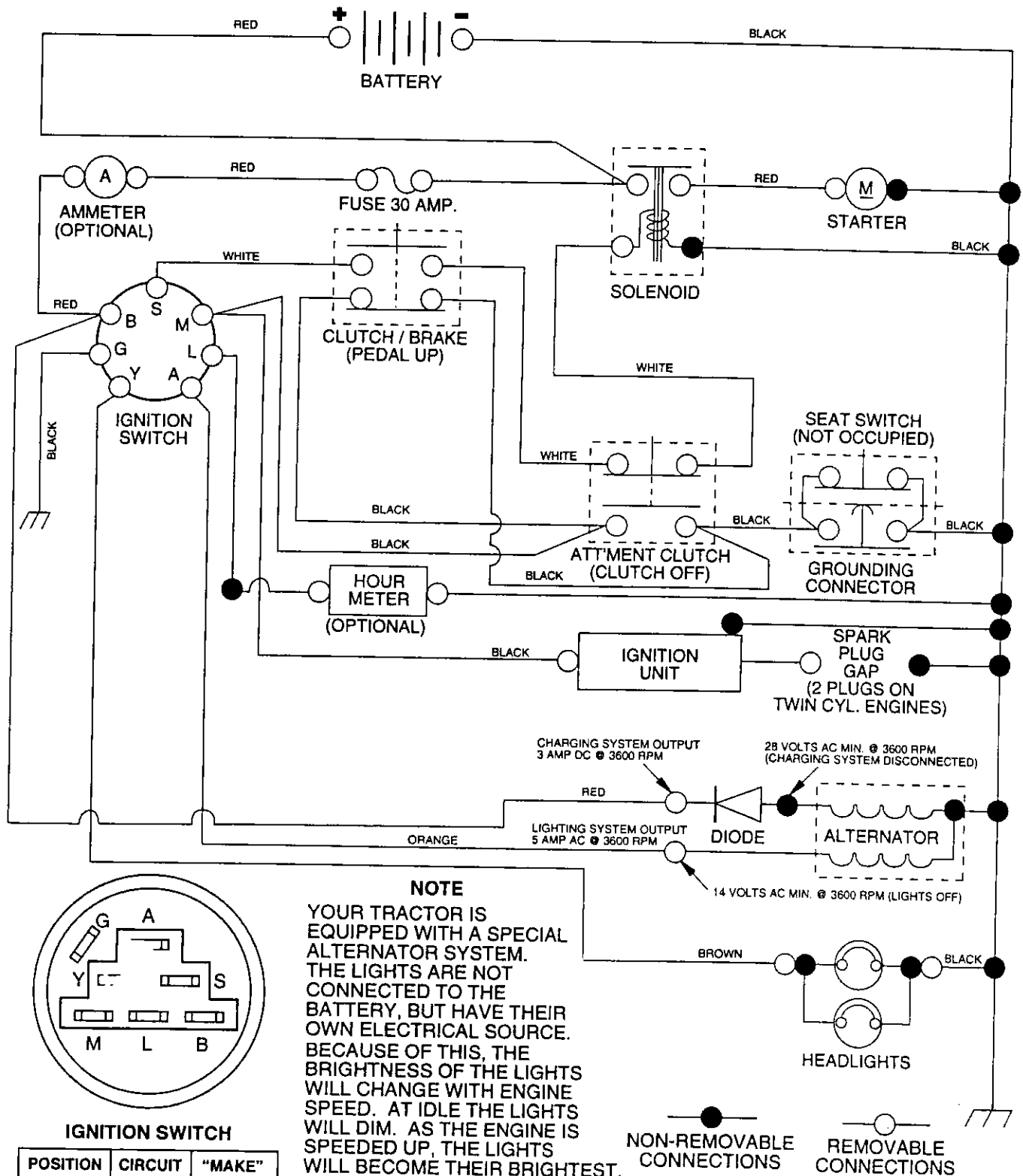
- Product - "Tractor"
- Model Number - "258321"
- Part Number
- Part Description

TABLE OF CONTENTS

SCHEMATIC	3
ELECTRICAL	4-5
CHASSIS	6-7
DRIVE	8-9
STEERING WHEEL	10-11
ENGINE	12-13
SEAT	14
DECALS	15
MOWER LIFT LEVER.....	16-17
MOWER DECK	18-19
TRANSAXLE	20-21
ENGINE BREAKDOWN	22-27

TRACTOR - MODEL NUMBER 917.258321

SCHEMATIC



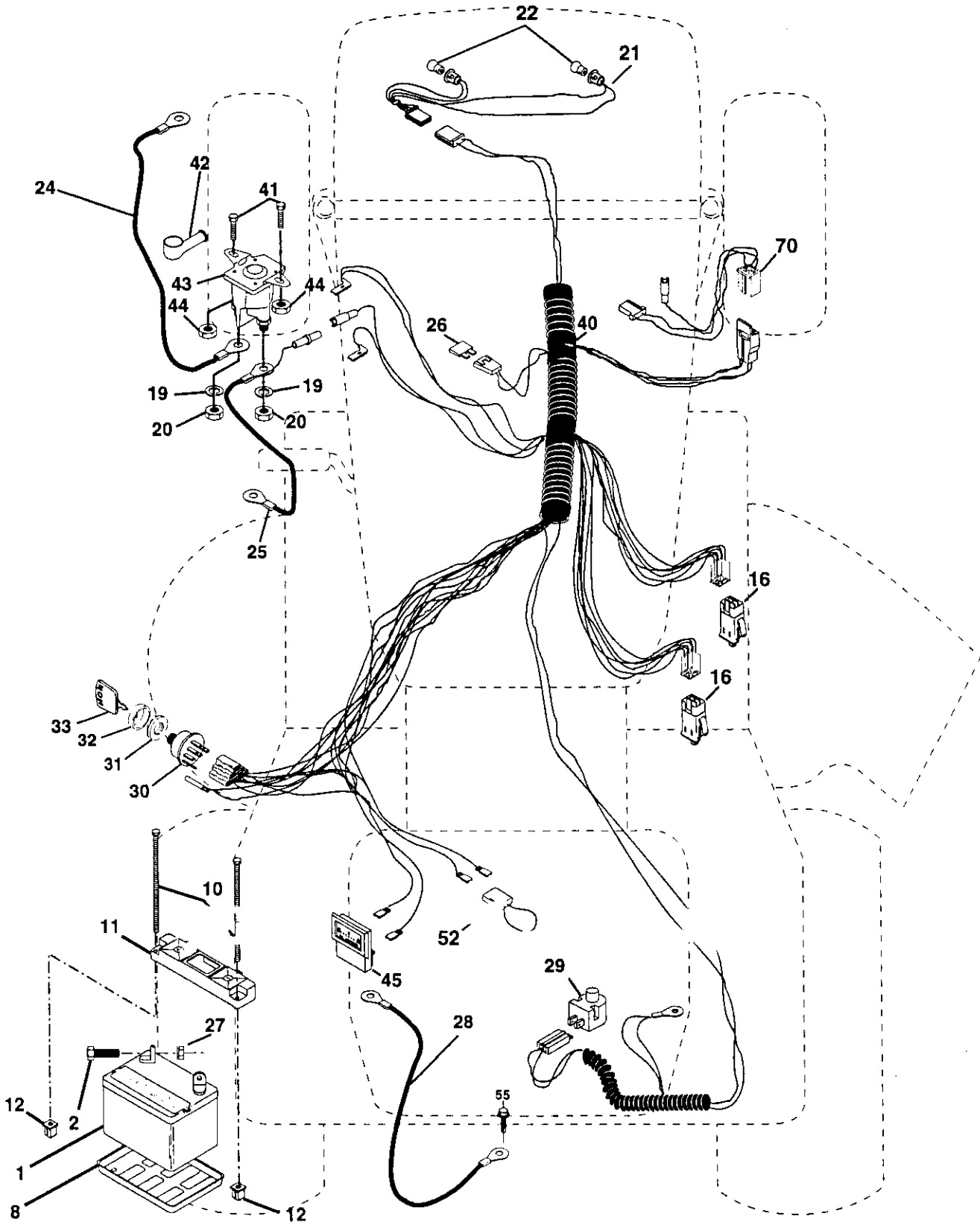
IGNITION SWITCH

POSITION	CIRCUIT	"MAKE"
OFF	G + M + L	NONE
RUN/LIGHT	B + L	A + Y
RUN	B + L	NONE
START	B + L + S	NONE

REPAIR PARTS

TRACTOR -- MODEL NUMBER 917.258321

ELECTRICAL



REPAIR PARTS

TRACTOR - - MODEL NUMBER 917.258321

ELECTRICAL

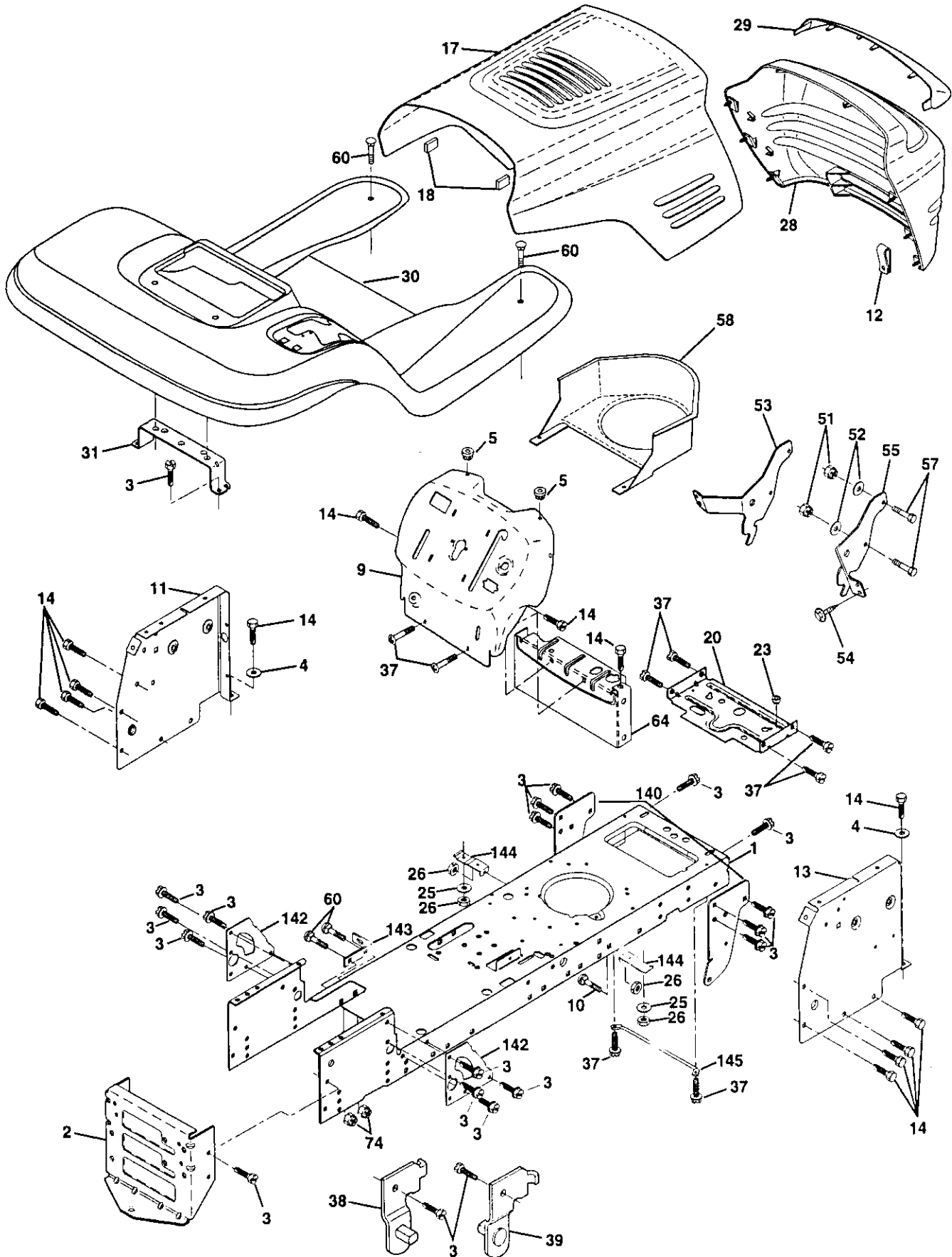
KEY NO.	PART NO.	DESCRIPTION
1	163465	Battery
2	74760412	Bolt, Hex 1/4-20 x 3/4
8	7603J	Tray, Battery
10	145211	Bolt, Btr Front 1/4-20 x 7-1/2
11	150109	Holddown Battery Front Mount
12	145769	Nut, Push Nylon Battery Front 1/4
16	153664	Switch Interlock Push-In
19	STD551125	Washer, Lock 1/4
20	73350400	Nut, Hex, Jam 1/4-20
21	166182	Harness, Light Socket (w/4152J)
22	4152J	Light Bulb
24	4799J	Cable, Battery
25	146148	Cable, Battery
26	166180	Fuse 15 Amp
27	73510400	Nut, Keps Hex 1/4-20
28	145491	Cable, Ground
29	121305X	Switch, Seat
30	140301	Switch, Ignition 4 Position
31	124211X	Nut, Ignition
32	141226	Cover, Ignition Switch
33	109310X	Key, Molded, Craftsman
40	166145	Harness, Ignition
41	71110408	Bolt Blk Fin Hex 1/4-20 UNC x 1/2
42	131563	Cover, Terminal
43	145673	Solenoid
44	73640400	Nut Keps Blk Hex 1/4-20 UNC
45	121433X	Ammeter Rectangular 6 Amp
52	141940	Protection Wire Loop (Hour Meter)
55	17490508	Screw Thdrol 5/16-18 x 1/2
70	166658	Harness Engine B&S

NOTE: All component dimensions given in U.S. inches
1 inch = 25.4 mm

REPAIR PARTS

TRACTOR - - MODEL NUMBER 917.258321

CHASSIS AND ENCLOSURES



REPAIR PARTS

TRACTOR - - MODEL NUMBER 917.258321

CHASSIS AND ENCLOSURES

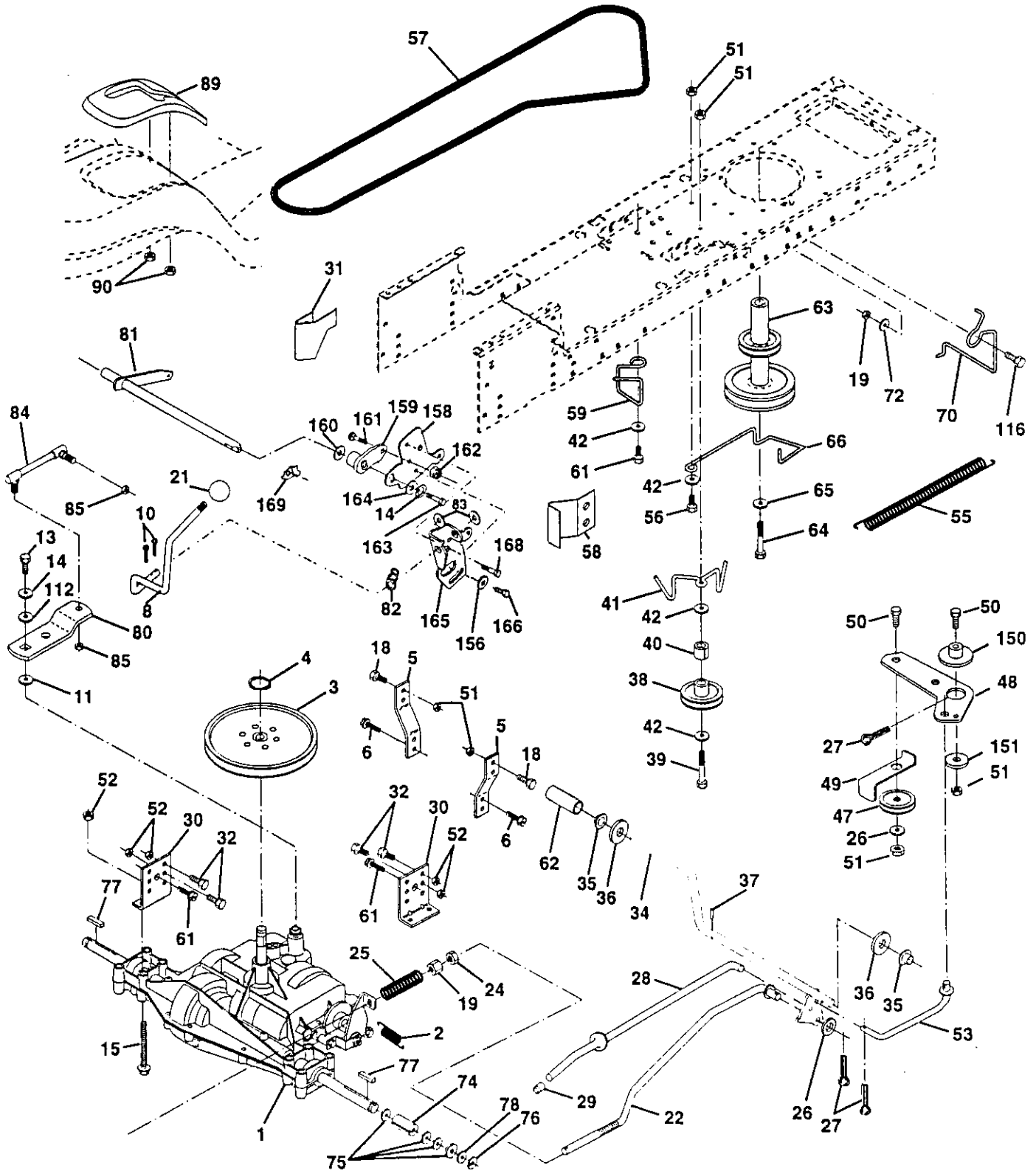
KEY NO.	PART NO.	DESCRIPTION
1	166819	Chassis
2	140356	Drawbar
3	17490612	Screw, Thd., Roll. 3/8-16 x 3/4 Type TT
4	STD551025	Washer 13/32 x 3/4 x 16 Gauge
5	155272	Bumper Hood/Dash
9	161917X012	Dash, Silkscreened
10	STD533710	Bolt, Carriage 3/8-16 x 1
11	155927	Panel, Dash, LH
12	145660	Clip Tinnerman Grille P/L
13	155936	Panel, Dash, RH
14	17490608	Screw, Thd., Roll. 3/8-16 x 1/2 Type TT
17	144983X558	Hood Assembly
18	126938X	Bumber Hood
20	156437	Plate Mtg Battery Fuel Tank
23	124028X	Bushing, Snap, Nylon, Fuel Line
25	19131312	Washer 13/32 x 13/16 x 12 Gauge
26	STD541437	Locknut, Hex, with Insert 3/8-16 UNC
28	145198X558	Grille, W/Clips MS-558
29	155217X599	Lens, Grille
30	151287X558	Fender/Footrest
31	139976	Bracket, Fender/Support
37	17490508	Screw, Thdrol. 5/16-18 x 1/2 TYT
38	139886	Pivot Bracket Assembly, LH, Mower, Rear
39	139887	Pivot Bracket Assembly, RH, Mower, Rear
51	73800400	Nut Lock W/Insert 1/4 - 20 UNC
52	19091416	Washer 9/32 X 7/8 X 16 Ga.
53	145201	Bracket Grille Pickoff LH
54	161464	Screw Hex Wshd 8-18 x 7/8
55	145202	Bracket Grille Pickoff RH
57	STD552507	Bolt FinHex 1/4 -20 UNC X.75
58	140547	Air Duct P/L 18HP B&S Opp. Twin
60	STD533707	Bolt Rdhd Sqnk 3/8-16 UNC x 3/4
64	154798	Dash Lower STLT
74	STD541437	Nut Crownlock 3/8-16 UNC
140	158418	Bracket Suspension Front
142	165867	Plate Reinforcement STLT
143	154966	Backrest Swaybar Chassis
144	154207	Bracket Footrest STLT
145	156524	Rod Pivot Chassis/Hood

NOTE: All component dimensions given in U.S. inches
1 inch = 25.4 mm

REPAIR PARTS

TRACTOR - - MODEL NUMBER 917.258321

DRIVE



REPAIR PARTS

TRACTOR - - MODEL NUMBER 917.258321

DRIVE

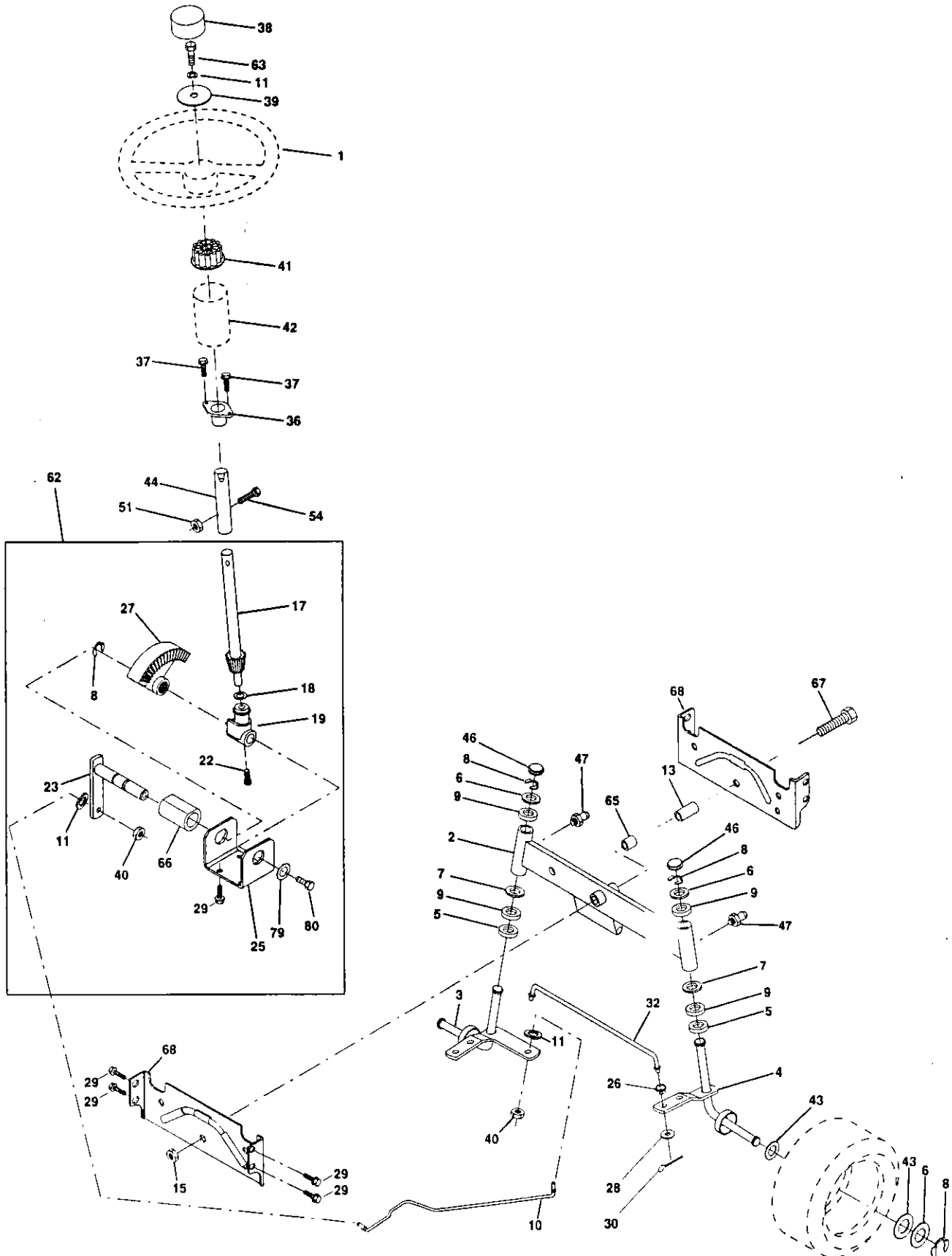
KEY NO.	PART NO.	DESCRIPTION	KEY NO.	PART NO.	DESCRIPTION
1	-----	Transaxle (See Breakdown) Dana 4360-122	56	STD523712	Bolt Fin Hex 3/8-16 x 1-1/4
2	146682	Spring, Return, Brake	57	160855	V-Belt, Ground Drive
3	123666X	Pulley, Transaxle	58	127274X	Keeper, Belt, R.H.
4	12000028	Ring, Retainer	59	140312	Keeper, Belt, Center Span
5	121520X	Strap, Torque	61	17490612	Screw, Thd., Roll. 3/8-16 x 3/4
6	17490512	Screw, Thd., Roll. 5/16-18 x 3/4	62	8883R	Cover, Pedal
8	165866	Rod Shifter Fender Adjust STLT	63	140186	Pulley, Engine
10	STD561210	Pin, Cotter 1/8 x 1	64	71170764	Bolt, Hex Head, Fin. 7/16-20 x 4 Grade 5
11	105701X	Washer, Shift Plate	65	STD551143	Washer Lock 7/16
13	74550412	Bolt 1/4-28 UNF W/Patch Grade 8	66	154778	Keeper, Belt, Engine, Fool-Proof
14	STD551125	Washer Lock Hvy Helical 1/4	70	134683	Guide, Mower Drive Belt, R.H.
15	74490544	Bolt, Hex Flghd 5/16-18 Grade 5	72	19132012	Washer 13/32 x 1-1/4 x 12 Gauge
18	STD523710	Bolt Fin Hex 3/8-16 UNC x 1. Gr 5	74	109502X	Spacer, Axle
19	STD541437	Nut Lock Hx W/Ins 3/8-16	75	121749X	Washer 25/32 x 1-1/4 x 16 Gauge
21	106933X	Knob	76	STD581075	E-Ring #5133-75
22	130804	Rod, Brake	77	123583X	Key, Square 2.0 x .1845/.1865
24	STD541237	Nut Hex Jam 3/8-16	78	121748X	Washer 25/32 x 1-5/8 x 16 Gauge
25	106888X	Spring, Brake Rod	80	160783	Arm, Shift
26	STD551037	Washer 13/32 x 13/16 x 16 Ga.	81	165593	Shaft Asm Cross Tapered Dana/20"
27	STD561210	Pin Cotter 1/8 x 3/4	82	165711	Spring, Torsion
28	145204	Rod, Parking Brake	83	19171216	Washer 17/32 x 3/4 x 16 Gauge
29	124236X	Cap, Parking Brake, Red	84	168976	Link Transaxle 4360
30	130807	Bracket, Transaxle	85	150360	Nut, Nylock
31	127275X	Keeper, Belt, L.H.	89	158391X428	Console, Shift, STLT
32	STD523107	Bolt Hex Hd 5/16-18 x 3/4	90	124346X	Nut, Self-Threading, Washer Hd 1/4
34	155071	Shaft Assembly, Foot Pedal	112	19091210	Washer 9/32 x 3/4 x 10 Gauge
35	120183X	Bearing, Nylon	116	72110610	Bolt Rdhd Sqneck 3/8-16 x 1.25
36	STD551062	Washer 21/32 x 1 x 16 Ga	150	165850	Bushing Bellcrank
37	STD571810	Roll Pin 3/16 x 1	151	19133210	Washer 13/32 x 2 x 10 Ga.
38	131494	Pulley, Idler, Flat	156	166002	Washer Srrted 5/16ID x 1.125
39	STD523727	Bolt Fin Hex 3/8-16 x 2-3/4	158	165589	Bracket Shift Mount
40	4470J	Spacer, Split .395 x .59	159	165494	Hub Tapered Flange Shift Lt
41	165838	Keeper, Belt, Idler Fool-Proof	160	19292016	Washer 29/32 x 1-1/4-20 x 16 Ga
42	19131312	Washer 13/32 x 13/16 x 12 Gauge	161	72140406	Bolt Rdhd Sqnk 1/4-20 x 3/4 Gr 5
47	127783	Pulley, Idler, V-Groove, Plastic	162	73680400	Nut Crownlock 1/4-20unc
48	154407	Bellcrank Clutch Grnd Driv STL	163	74780416	Bolt Hex Fin 1/4-20unc x 1 Gr 5
49	123205X	Retainer, Belt	164	19091010	Washer 5/8 x .281 x 10 Ga
50	STD523715	Bolt Hex Hd 3/8-16 x 1-1/2	165	165623	Bracket Pivot Lever
51	STD541437	Nut Crown Lock 3/8-16 UNC	166	166880	Screw 5/16-18 x 5/8
52	STD541431	Nut Crown Lock 5/16-18 UNC	168	165492	Bolt Shoulder 5/16-18 x .561
53	105710X	Link, Clutch	169	165580	Plate Fastening Cross Shf STLT/CRD
55	105709X	Spring, Clutch Return			

NOTE: All component dimensions given in U.S. inches
1 inch = 25.4 mm

REPAIR PARTS

TRACTOR - - MODEL NUMBER 917.258321

STEERING ASSEMBLY



REPAIR PARTS

TRACTOR - - MODEL NUMBER 917.258321

STEERING ASSEMBLY

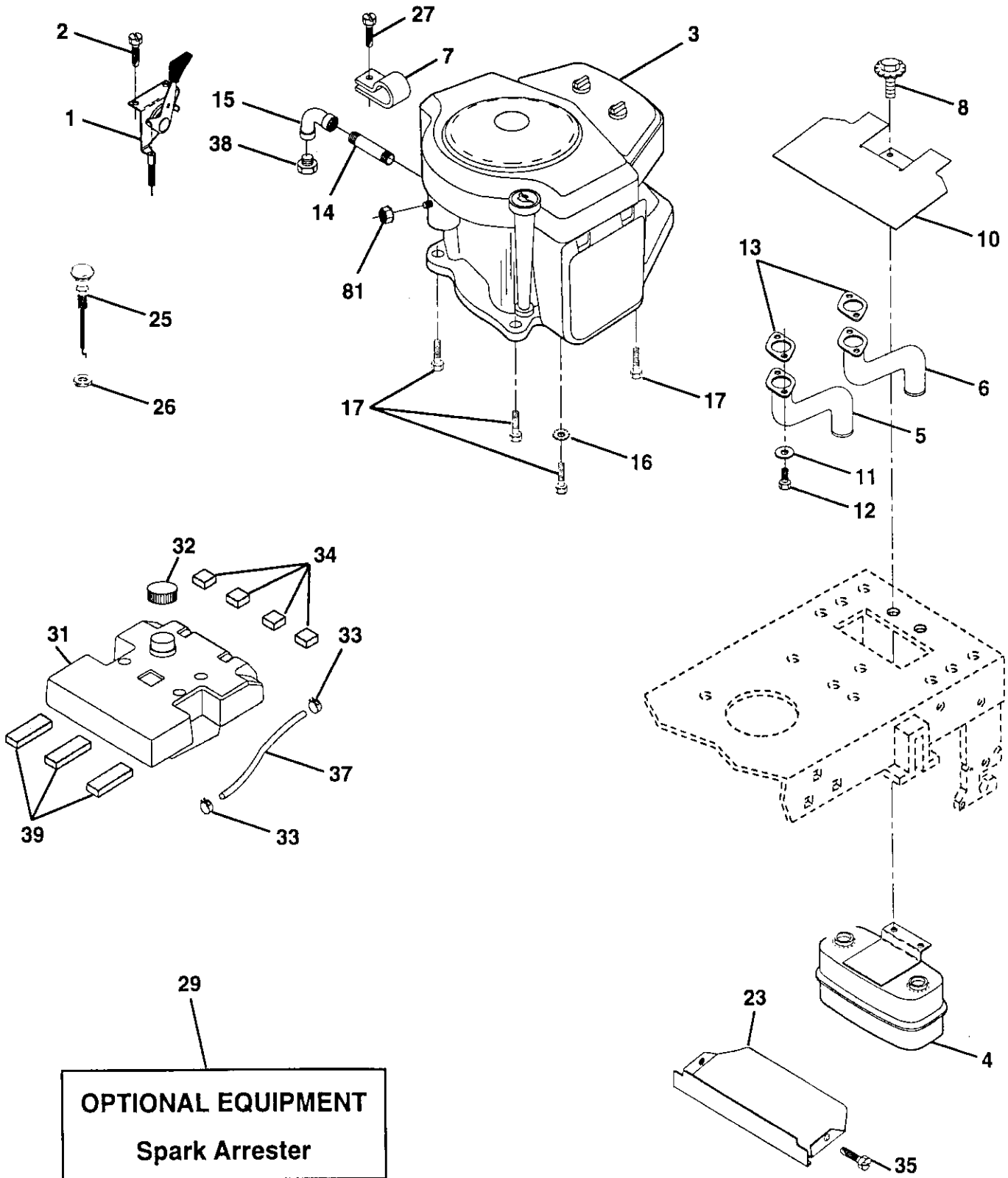
KEY NO.	PART NO.	DESCRIPTION
1	139768	Steering Wheel
2	154427	Axle Assembly STMP Dropped STL
3	156483	Spindle Assembly, L.H.
4	157473	Spindle Assembly, R.H.
5	6266H	Bearing, Race, Thrust, Hardened
6	121748X	Washer 25/32 x 1-5/8 x 16 Gauge
7	19272016	Washer 27/32 x 1-1/4 x 16 Gauge
8	12000029	Ring, Klip
9	3366R	Bearing, Steering Column
10	156438	Draglink Extended Stamped
11	STD551137	Washer, Lock 3/8
13	154779	Bearing Axle STLT/GT
15	73901000	Nut, Lock, Flange 5/8-11 UNC
17	156546	Shaft Assembly, Steering
18	57079	Washer, Thrust .515 x .750 x .033
19	160395	Support, Shaft
22	165857	Screw, Hex Wsh Hd Torx
23	165851	Pittman Shaft Assembly
25	154406	Bracket, Steering
26	126847X	Bushing, Link, Drag
27	136874	Gear, Sector
28	19131416	Washer 13/32 x 7/8 x 16 Gauge
29	17490612	Screw, Thd., Roll. 3/8-16 x 3/4
30	STD561210	Pin Cotter 1/8 x 3/4
32	130465	Rod, Tie
36	155099	Bushing, Steering
37	152927	Screw
38	139769	Insert, Steering Wheel
39	19133808	Washer 13/32 x 2-3/8 x 8 Gauge
40	STD541537	Nut Lock Center 3/8-24
41	100711L	Adaptor, Steering Wheel
42	145054	Boot, Steering Shaft
43	121749X	Washer 25/32 x 1-1/4 x 16 Gauge
44	153720	Extension Shaft Steering LR.LT
46	121232X	Cap, Spindle
47	6855M	Fitting, Grease
51	STD541431	Nut Lock Hex w/Ins. 5/16-18 UNC
54	74780520	Bolt Fin Hex 5/16-18 UNC x 1-1/4
62	167902	Kit Steering Asm Service
63	STD523710	Bolt, Fin Hex 3/8-16 UNC x 1 Gr 5
65	154780	Spacer Axle
66	154404	Bearing Arr Pittman
67	74781044	Bolt, Fin Hex 5/8-11 UNC x 2-3/4
68	154429	Axle, Brace
79	19132012	Washer 13/32 x 1-1/4 x 12 Ga
80	74950612	Bolt Hex Nylon 3/8-16 x 3/4

NOTE: All component dimensions given in U.S. inches
1 inch = 25.4 mm

REPAIR PARTS

TRACTOR - - MODEL NUMBER 917.258321

ENGINE



REPAIR PARTS

TRACTOR - - MODEL NUMBER 917.258321

ENGINE

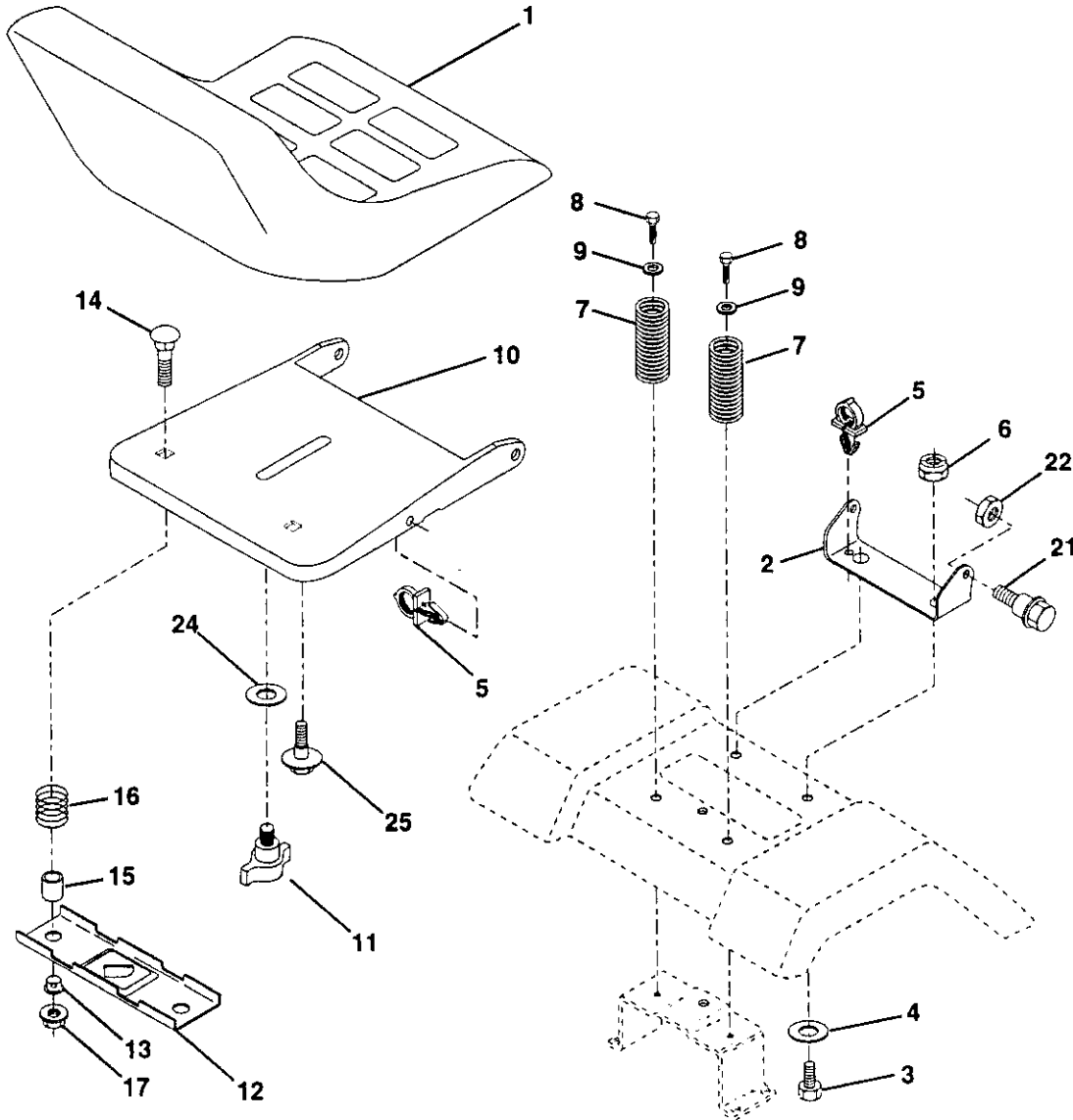
KEY NO.	PART NO.	DESCRIPTION
1	162152	Control Throt Paddle 32 22
2	17720410	Screw Hex Thd Cut 1/4-20x5/8 T
3	-----	Engine (See Breakdown) Briggs Model No. 42E707-2631-E1
4	149723	Muffler Exhaust
5	144069	Exhaust Asm. Left
6	144068	Exhaust Asm. Right
7	138129	Clamp Tube Double Engine
8	150176	Bolt 5/16 - 18 UNC X 3/4 W/Sems
10	145552	Heat Shield Lt
11	STD551125	Washer Lock Hvy. Helical 1/4
12	STD522507	Bolt Fin Hex 1/4-20 x 3/4
13	165287	Gasket Muffler
14	13280336	Nipple Pipe 4-1/2"
15	13200300	Elbow Std 90 Degree 3/8-18 Npt
16	STD551237	Washer Lock Ext Tooth 3/8
17	17490624	Screw Thdrol 3/8-16x1-1/2 Tytt
23	159880	Shield Browning/Debris Guard
25	145996	Control Choke
26	73920600	Nut Keps 3/8-24 Unf
27	152927	Screw TT #10-32 x 5 x 3/8 Flange
29	137180	Arrestor Spark
31	157103	Tank Fuel 3 50 Rear
32	161696	Cap Fuel Guage STLT
33	123487X	Clamp Hose Blk
34	106082X	Spacer Pad
35	17490512	Screw Thdrol 5/16-18 x 3/4 TYT
37	8543R	Line Fuel
38	-----	Plug Oil Drain (Order From Engine Manufacturer)
39	109227X	Pad Idler 1.75 x .75 x .06
81	128861	Nut, Flange 1/4-20 Starter Nut

NOTE: All component dimensions given in U.S. inches
1 inch = 25.4 mm

REPAIR PARTS

TRACTOR - - MODEL NUMBER 917.258321

SEAT ASSEMBLY



KEY NO.	PART NO.	DESCRIPTION
1	140123	Seat
2	140551	Bracket Pnt Pivot Seat (blk)
3	STD523710	Bolt Fin Hex 3/8-16 UNC x 1
4	19131610	Washer Flat 13/32 x 1 x 10 Ga
5	145006	Clip Push-In
6	STD541437	Nut Lock Hex W/Ins 3/8 -16 UNC
7	124181X	Spring Seat Cprsn 2 250 Blk Zi
8	17490616	Screw 3/8-16x1
9	19131614	Washer 13/32 x 1 x 14 Ga
10	155925	Pan Pnt Seat (blk)
11	166369	Knob Seat Adj. Wingnut
12	121246X	Bracket Pnt Mounting Switch

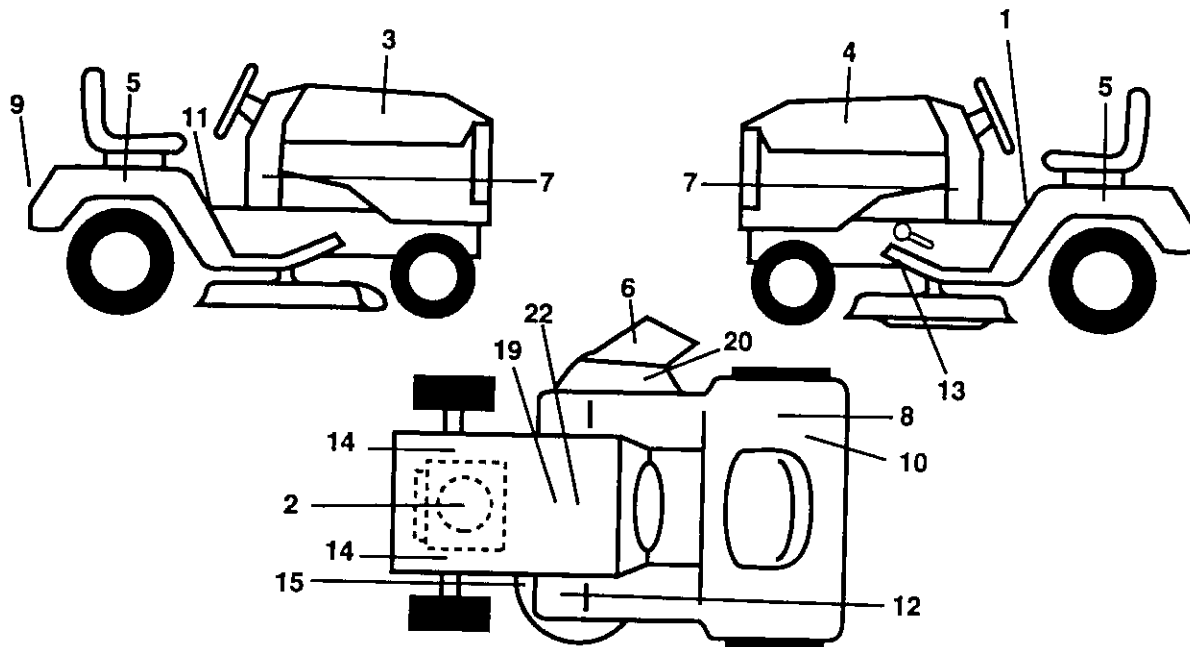
KEY NO.	PART NO.	DESCRIPTION
13	121248X	Bushing Snap Blk Nyl 50 Id
14	72050412	Bolt Rdhd Sht Nk 1/4-20x1-1/2
15	134300	Spacer Split 28 X 96 Zinc
16	121250X	Spring Cprsn 1 27 Blk Pnt
17	123976X	Nut Lock 1/4 Lge Flg Gr 5 Zinc
21	153236	Bolt Shoulder 5/16-18 Unc
22	STD541431	Nut Lock Hex W/Ins 5/16-18
24	19171912	Washer 17/32 X 1-3/16 X 12 Ga
25	127018X	Bolt Shoulder 5/16-18 X 62

NOTE: All component dimensions given in U.S. inches
1 inch = 25.4 mm

REPAIR PARTS

TRACTOR -- MODEL NUMBER 917.258321

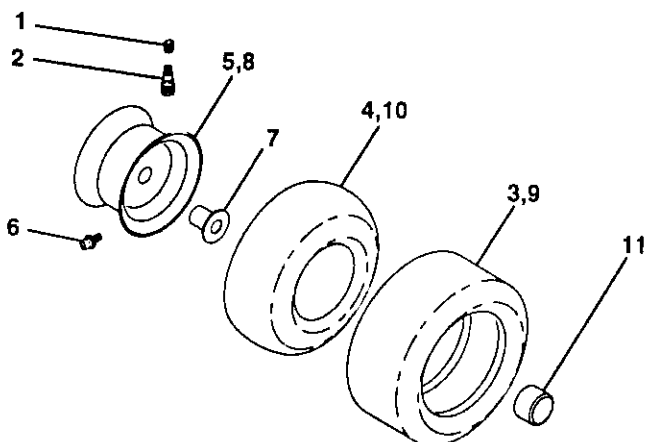
DECALS



KEY NO.	PART NO.	DESCRIPTION
1	145498	Decal Read Owners Manual Symo
2	165392	Decal Engine B&S
3	163200	Decal Hood Rh Craftsman
4	163202	Decal Hood Lh Craftsman
5	163207	Decal Fender Sd. Sht. Rad/6sp 42"
6	145494	Decal Mower Cutfinger Symbol
7	163259	Decal Panel Dash B&S 19.5 Turbo
8	145437	Decal Europe Stand Ce
9	163204	Decal Fender Craftsman Gold
10	126187X	Decal 100 DBA Cer Dutch/Fre
11	140837	Decal Saddle Brake Parking
12	159737	Decal Brake/Clutch Symbol Lt
13	146046	Decal V-belt Dr Sch Tractor E

KEY NO.	PART NO.	DESCRIPTION
14	159736	Decal Chassis Hot Muffler
15	160396	Decal Mower Drive Schematic
19	138047	Decal Battery Diehard Sears
20	166887	Decal Deck Mower EZ3
22	145005	Decal Battery
--	162598	Decal Drawbar Load Limit
--	138311	Decal Lift Handle
--	154515	Pad Footrest Lh STLT
--	154516	Pad Footrest Rh STLT
--	169031	Manual, Oper (Euro)
--	169032	Manual, Oper (Scan)
--	169033	Manual, Parts

WHEELS & TIRES



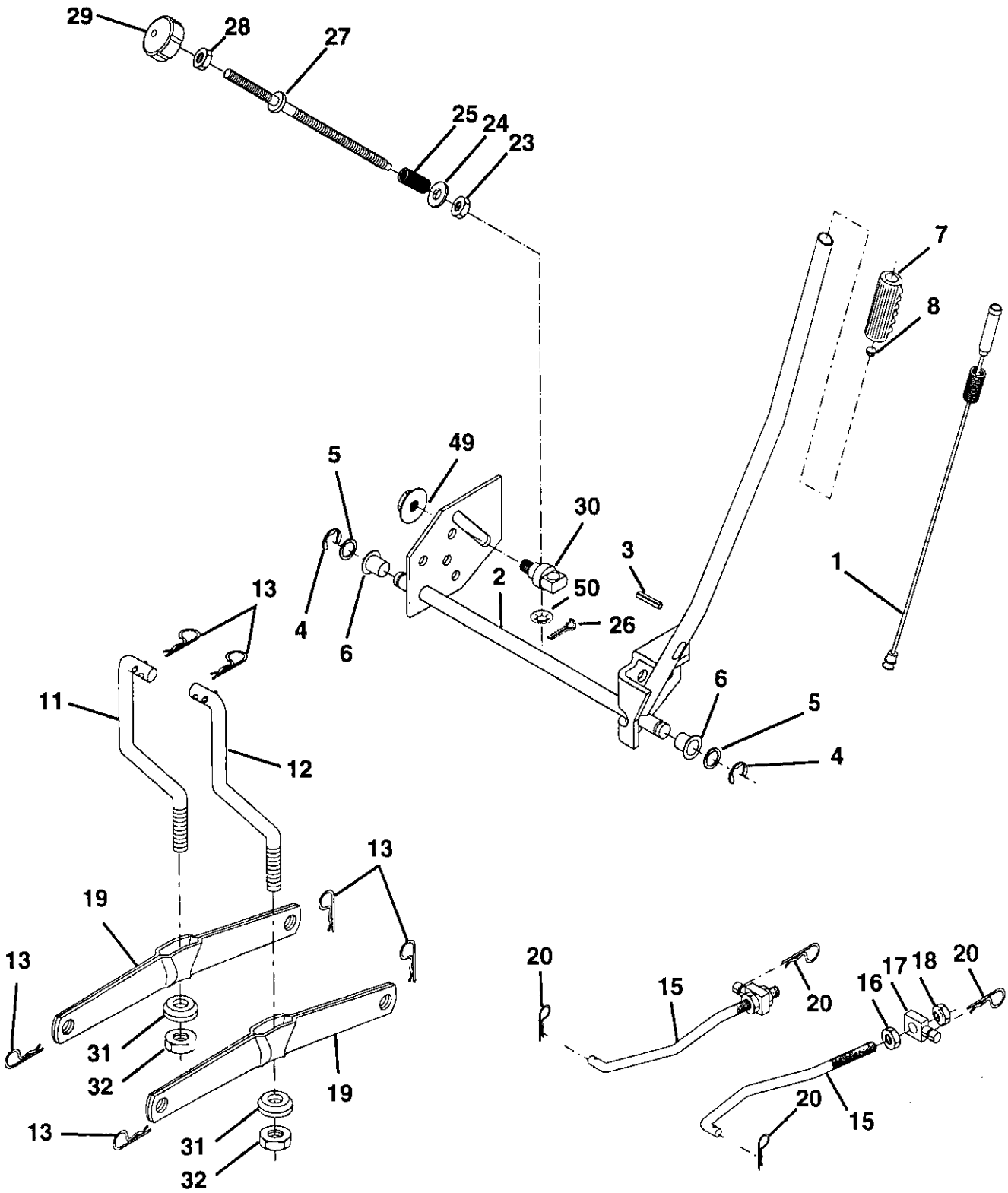
KEY NO.	PART NO.	DESCRIPTION
1	59192	Valve Cap, Tire
2	65139	Stem, Valve
3	106222X	Tire, Front
4	59904	Tube, Front Tire (Not Provided, Service Item Only)
5	106732X427	Rim, Front
6	278H	Fitting, Grease (Front Wheel Only)
7	9040H	Bearing, Flange (Front Wheel Only)
8	106108X427	Rim, Rear
9	122082X	Tire, Rear
10	7152J	Tube, Rear Tire (Not Provided, Service Item Only)
11	104757X	Cap, Axle
--	144334	Sealant, Tire (10 oz. Tube)

NOTE: All component dimensions given in U. S. inches
1 inch = 25.4 mm

REPAIR PARTS

TRACTOR -- MODEL NUMBER 917.258321

MOWER LIFT



REPAIR PARTS

TRACTOR - - MODEL NUMBER 917.258321

MOWER LIFT

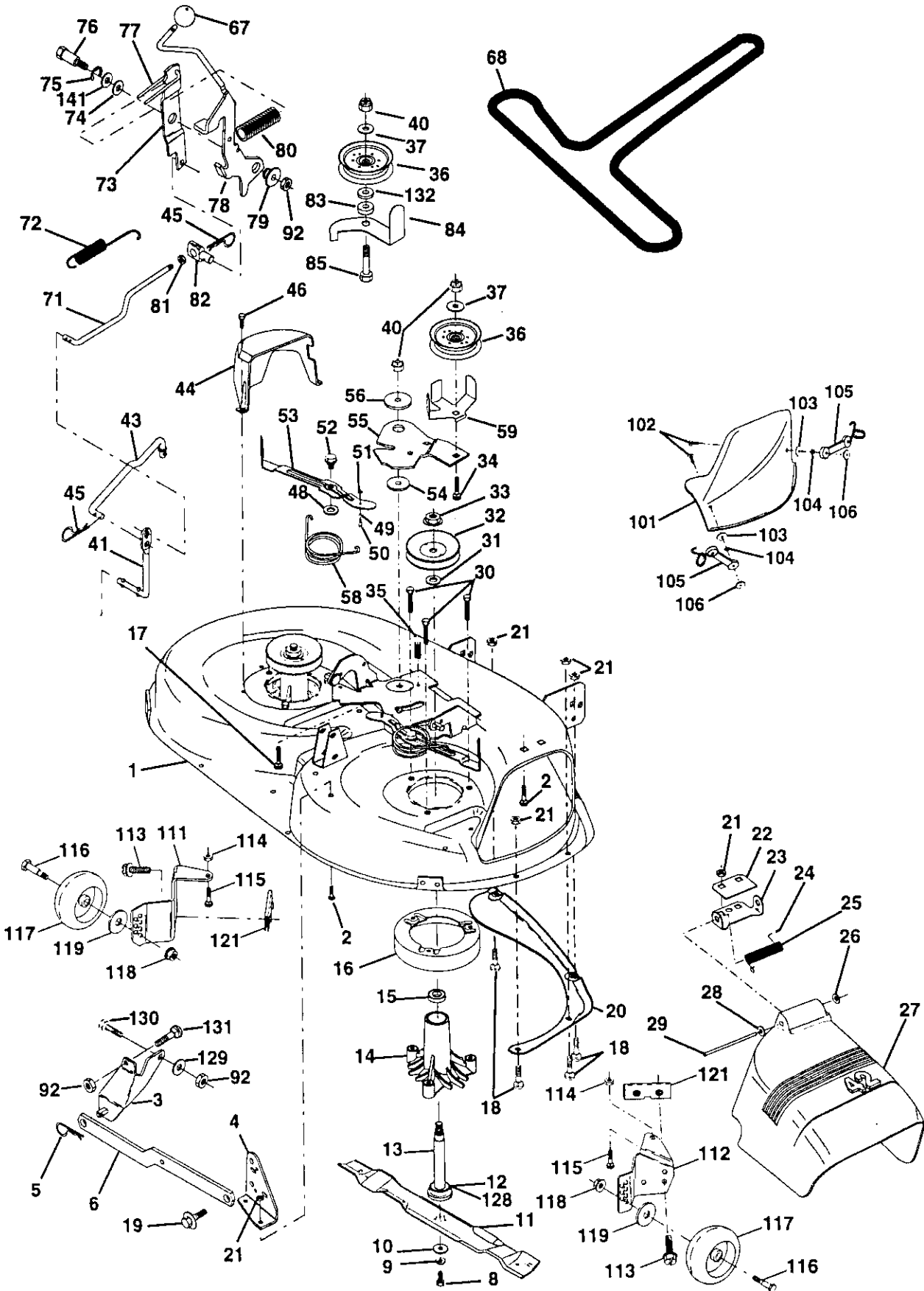
KEY NO.	PART NO.	DESCRIPTION
1	159460	Wire Assy., Inner/Spring w/Plunger
2	159471	Shaft Asm. Lift
3	105767X	Pin Groove
4	12000002	E Ring #5133-62
5	19211621	Washer 21/32 x 1 x 21 Ga.
6	120183X	Bearing Nylon
7	125631X	Grip Handle Fluted
8	122365X	Button Plunger Read
11	139865	Link Lift Lh Fixed Length
12	139866	Link Lift Rh Fixed Length
13	STD624008	Retainer Spring
15	127218	Link Front
16	73350800	Nut Jam Hex 1/2-13 Unc
17	130171	Trunnion Blk Zinc
18	73680800	Nut Lock 1/2-13 Unc
19	139868	Arm Suspension Rear
20	163552	Retainer Spring
23	110807X	Nut Spring
24	19131016	Washer 13/32 x 5/8 x 16 Ga.
25	2876H	Spring 2-1/8"
26	76020308	Pin cotter 3/32 x 1/2
27	126971X	Rod Adj. Lift
28	73350600	Nut Hex Jam 3/8-16
29	138057	Knob Inf. 3/8-16
30	150233	Trunnion Infin. Height
31	140302	Bearing, Pivot, Lift, Special
32	73540600	Nut, Crownlock 3/8-24
49	145212	Nut Flange Lock
50	110452X	Nut Push Phos & Oil

NOTE: All component dimensions given in U.S. inches
1 inch = 25.4 mm

REPAIR PARTS

TRACTOR - - MODEL NUMBER 917.258321

MOWER DECK



REPAIR PARTS

TRACTOR - - MODEL NUMBER 917.258321

MOWER DECK

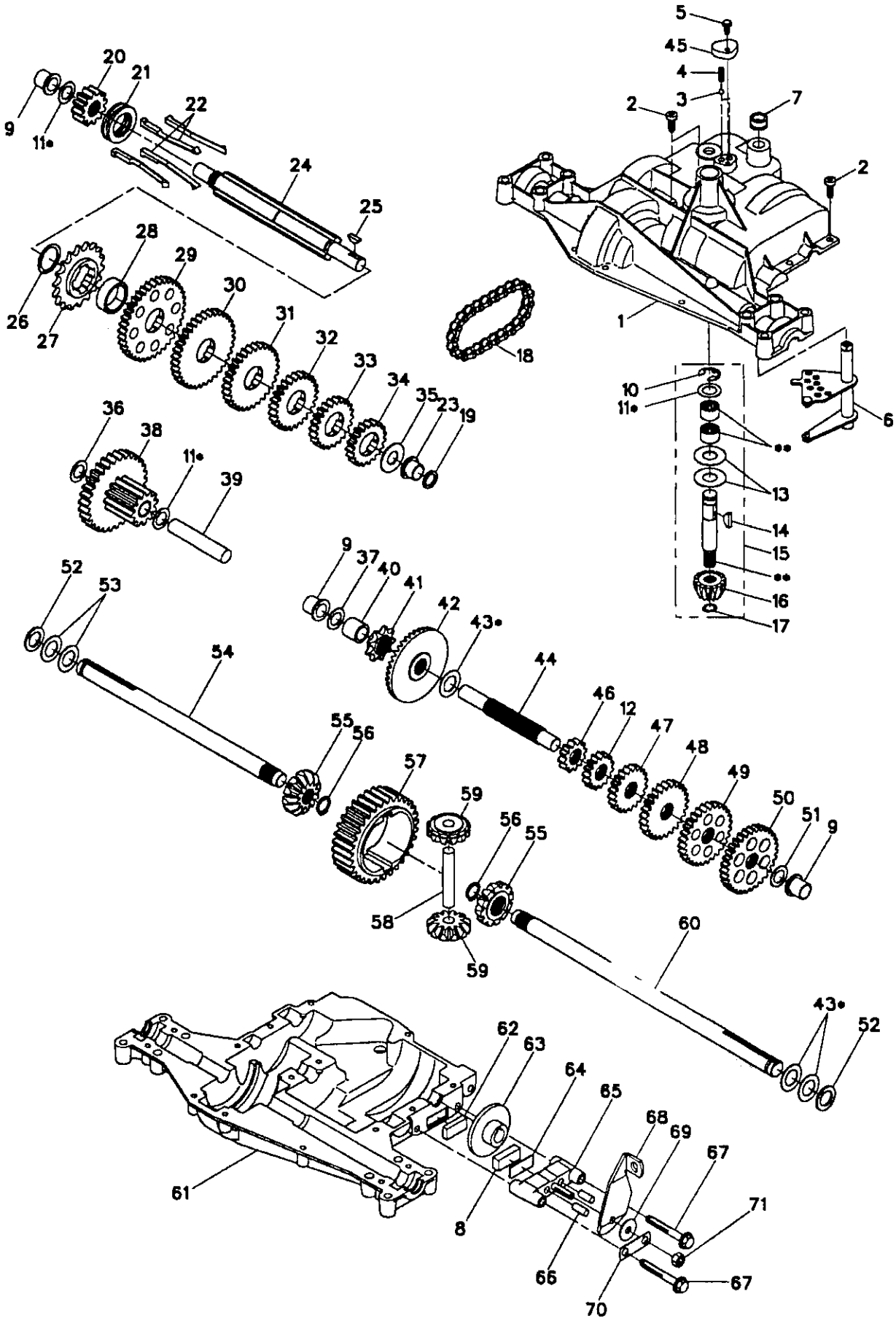
KEY NO.	PART NO.	DESCRIPTION	KEY NO.	PART NO.	DESCRIPTION
1	164961	Mower Deck Assembly, 42"	58	140086	Spring, Torsion, Brake
2	STD533107	Bolt Rdhd Sqnk 5/16-18 x 3/4	59	141043	Guard, Idler
3	138017	Bracket Asm Fr. Sway Bar	67	162113	Knob Custom Oval
4	138440	Bracket Asm Deck 42" Sway Bar	68	144200	V-Belt, 42" Mower
5	STD624008	Retainer Spring	71	142427	Rod, Clutch, Primary
6	130832	Arm, Suspension, Rear	72	131870	Spring, Extension, Return
8	850857	Bolt 3/8-24 x 1.25 Grade 8	73	127847	Arm, Clutch, Secondary
9	STD551137	Washer, Lock Hvy 3/8	74	121748X	Washer 25/32 x 1-5/8 x 16 Gauge
10	140296	Washer, Hardened	75	12000029	Ring, Klip
11	134149	Blade, Mulching, 42" Mower Deck	76	128903	Bolt, Shoulder 3/8-16 UNC x 1.44
12	129895	Bearing, Ball	77	127845	Keeper, Spring
13	137645	Shaft Assembly, Mandrel, Vented (Includes Key Number 12)	78	160570	Arm, Clutch, Primary
14	128774	Housing, Mandrel, Vented	79	127498	Bushing, Large, Brass
15	110485X	Bearing, Ball, Mandrel	80	153701	Spring, Mower Clutch
16	140329	Stripper, Vented Mower Deck	81	73350600	Nut, Hex, Jam 3/8-16
17	72110610	Bolt, Carriage 3/8-16 x 2-1/4	82	142028	Trunnion
18	72140505	Bolt, Carriage 5/16-18 x 5/8	83	120958X	Washer, Sintered
19	132827	Bolt, Shoulder	84	156084	Keeper, Belt Idler
20	159770	Baffle, Vortex	85	72140620	Bolt RdHd Sqnk 3/8-16 x 2-1/2
21	STD541431	Nut Crownlock 5/16-18	92	STD541437	Locknut, Hex W/Wash Insert 3/8-16
22	134753	Stiffener Bracket	101	136420	Mulcher cover
23	131267	Bracket, Deflector	102	71161010	Screw Truss Hd Phil 10-24 x 5/8
24	105304X	Cap, Sleeve	103	19061216	Washer #10
25	123713X	Spring, Torsion, Deflector	104	STD551110	Washer, Lock #10
26	110452X	Nut, Push	105	160793	Latch Assembly, Bagger
27	130968	Shield, Deflector	106	2029J	Nut, Weld
28	19111016	Washer 11/32 x 5/8 x 16 Gauge	111	155197	Bracket, Gauge, Wheel L.H.
29	131491	Rod, Hinge	112	155198	Bracket, Gauge, Wheel R.H.
30	157722	Screw thd Rolling Washer Head	113	71490512	Screw, Thdrol 5/16 -18 x 3/4
31	129963	Washer, Spacer	114	STD541431	Nut, Hex Keps 5/16-18 UNC
32	153535	Pulley, Mandrel	115	72110504	Bolt, Carriage 5/16 UNC x 1/2
33	137266	Nut, Flanged, Toplock 9/16	116	137644	Bolt, Shoulder
34	STD533717	Bolt Rdhd 3/8-16 x 1-3/4	117	133957	Wheel, Gauge
35	133835	Fastner, Christmas Tree	118	73930600	Nut, Centerlock 3/8-16
36	131494	Pulley, Idler, Flat	119	STD551037	Washer 3/8 x 7/8 x 14 Ga.
37	STD551037	Washer 13/32 x 13/16 x 16 Gauge	121	143723	Bracket, Extruded Gauge Wheel
40	STD541437	Nut, Crownlock 3/8-16	128	153390	Washer Felt
41	133551	Rod, Pivot, with Nibs	129	19131312	Washer 13/32 x 13/16 x 12 Ga
43	140083	Rod, Clutch, Secondary, with Nibs	130	STD523710	Bolt Fin Hex 3/8-16 UNC x 1 Gr5
44	140088	Guard, Mandrel, LH	131	STD533710	Bolt Rdhd Sqnk 3/8-16 UNC x 1
45	STD624008	Retainer Spring 1"	132	19132203	Spacer Washer 13/32 I.D. x 1-3/8 O.D. x 1/4
46	137729	Screw, Hex Hd, Thdcut 1/4-20 x 5/8	1	6266H	Washer Thrust .75 x 1.230
48	133944	Washer, Hardened	--	130794	Mandrel Assembly (Includes Key Numbers 8-10, 12-15, 31 and 33)
49	155066	Roller Assembly, Cam Follower	--	164963	Mower Deck, Complete (Standard Deck; Order Mulcher Plate and Gauge Wheel Components Separately - . Key Nos. 101-106, 111-119, 121)
50	131340	Bolt, Shloulder #10-24 Grade 5			
51	STD541410	Locknut #10-24			
52	139888	Bolt, Shoulder 5/16-18 UNC			
53	131845	Arm Assembly, Pad, Brake			
54	133943	Washer, Hardened			
55	155046	Arm, Idler			
56	122052X	Spacer, Retainer			

NOTE: All component dimensions given in U.S. inches
1 inch = 25.4 mm

REPAIR PARTS

TRACTOR - - MODEL NUMBER 917.258321

DANA TRANSAXLE - MODEL NUMBER 4360-122



REPAIR PARTS

TRACTOR - - MODEL NUMBER 917.258321

DANA TRANSAXLE - MODEL NUMBER 4360-122

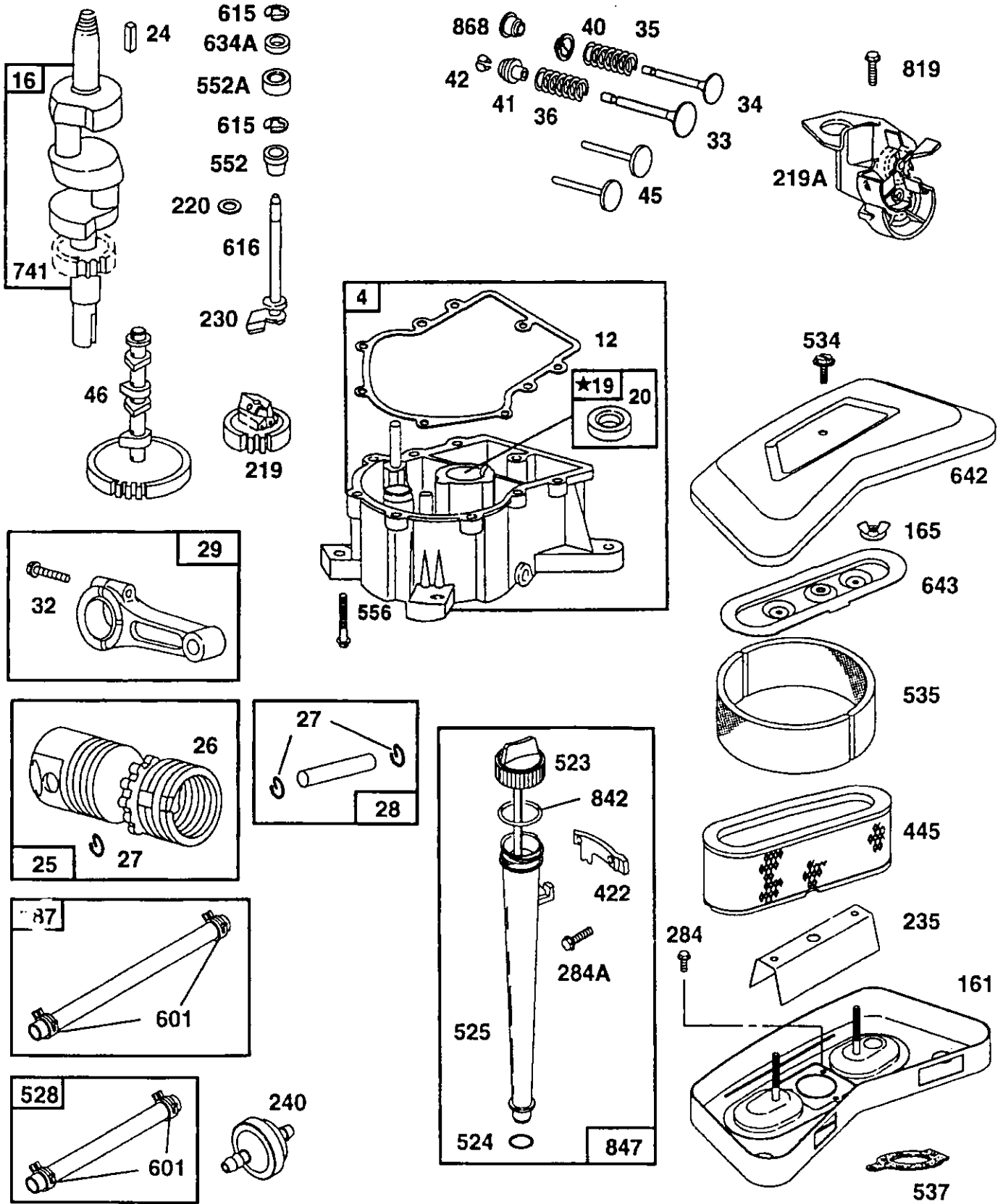
KEY PART NO. NO.	DESCRIPTION	KEY PART NO. NO.	DESCRIPTION
1 160955	Housing, Upper	37 2231J	Washer, Plain, .632 X 1.00 X .031
2 2274J	Screw, Tapping, 1/4-20 X .734	38 160944	Assy, Gear, Comb., 12T & 30T
3 134400	Ball, Detent	39 124639X	Shaft, Idler
4 105904X	Spring, Detent	40 120472X	Spacer, .633 X .87 X .755
5 160940	Screw, Tapping, No. 10-24 X .482	41 105928X	Sprocket, 9T
6 134788	Assy, Kit, Shifter	42 161565	Gear, Bevel, 36T
7 108727X	V-Ring	43 134394	Assy, Kit, Shim, .750 Shaft
8 120951X	Puck, Friction	44 120473X	Shaft, Drive
9 148266	Bearing, Flange	45 160942	Cover, Detent
10 2225J	Ring, Retaining	46 142678	Gear, Spur, 12T
11 134793	Assy, Kit, Shim, .625 Shaft	47 124641X	Gear, Spur, 20T
12 143697	Gear, Spur, 15T	48 106589X	Gear, Spur, 25T
13 120415X	Washer, Plain, .632 X 1.38 X .046	49 120408X	Gear, Spur, 28T
14 142674	Key, Woodruff, No. 9	50 105937X	Gear, Spur, 31T
15 161563	Assy, Kit, Input Shaft	51 2226J	Washer, Plain, .632 X 1.00 X .060
16 161564	Pinion, Bevel, 12T	52 134401	Washer, Neoprene
17 105909X	Ring, Retaining	53 2264J	Washer, Plain, .758 X 1.25 X .031
18 105910X	Chain, 24 Pitches	54 160946	Axle, LH
19 148269	Seal, Oil	55 160947	Gear, Miter, 12T, Splined
20 160943	Gear, Spur, 12T	56 160948	Ring, Retaining
21 138246	Collar, Clutch	57 110071X	Gear, Spur, 32T
22 138238	Assy, Kit, Clutch Keys	58 120952X	Shaft, Cross
23 148268	Bearing, Flange	59 160949	Gear, Miter, 12T, Idler
24 143673	Shaft, Intermediate	60 160950	Axle, RH
25 2244J	Key, Woodruff, No. 61	61 160951	Housing, Lower
26 105916X	Ring, Retaining	62 120961X	Puck, Friction
27 120470X	Sprocket, 18T	63 7294J	Disc, Brake
28 110070X	Spacer, 1.131 X 1.45 X .494	64 108989X	Spacer, Brake Puck
29 142677	Gear, Spur, 37T	65 160952	Jaw, Brake
30 142681	Gear, Spur, 35T	66 120954X	Pin, Dowel
31 124644X	Gear, Spur, 30T	67 160953	Screw, Tapping, 5/16-18 X 2.35
32 108980X	Gear, Spur, 25T	68 138244	Lever, Actuating
33 120406X	Gear, Spur, 22T	69 108996X	Washer, Plain, .321 X 1.00 X .055
34 134796	Gear, Spur, 19T	70 160954	Bracket, Anti-Rotation
35 105925X	Washer, Plain, .640 X 1.37 X .061	71 73810500	Nut, Lock, 5/16-24
36 2228J	Washer, Plain, .632 X 1.00 X .046	72 120416X	Grease

NOTE: All component dimensions given in U.S. inches
1 inch = 25.4 mm

REPAIR PARTS

TRACTOR - - MODEL NUMBER 917.258321

BRIGGS & STRATTON ENGINE - MODEL NUMBER 42E707, TYPE NUMBER 2631-E1



REPAIR PARTS

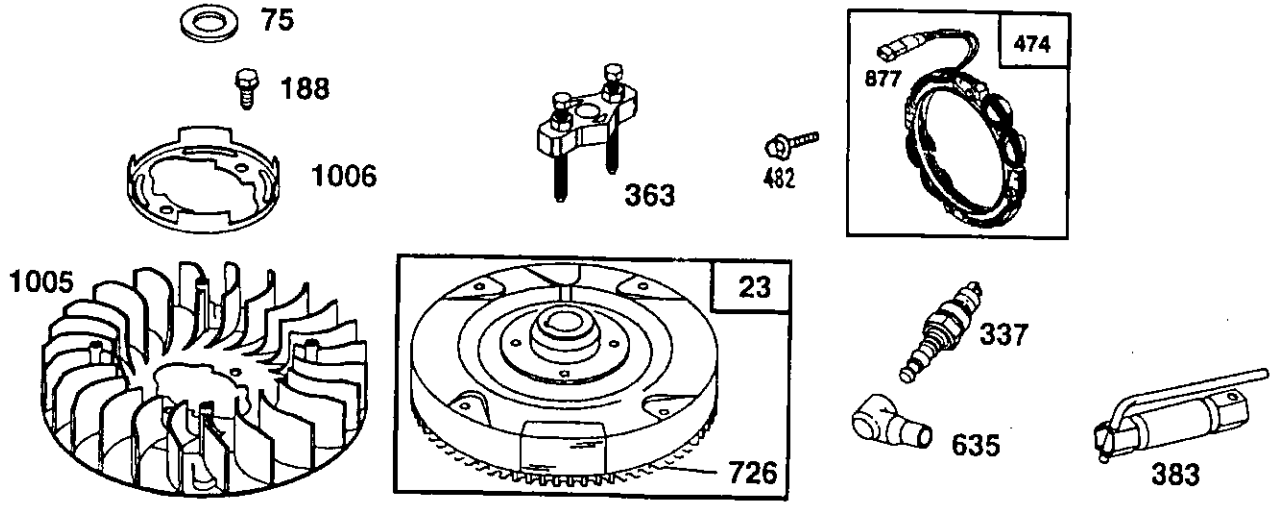
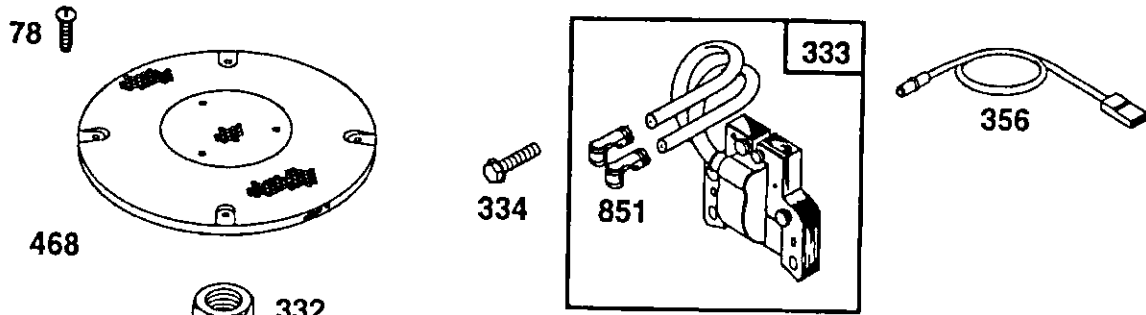
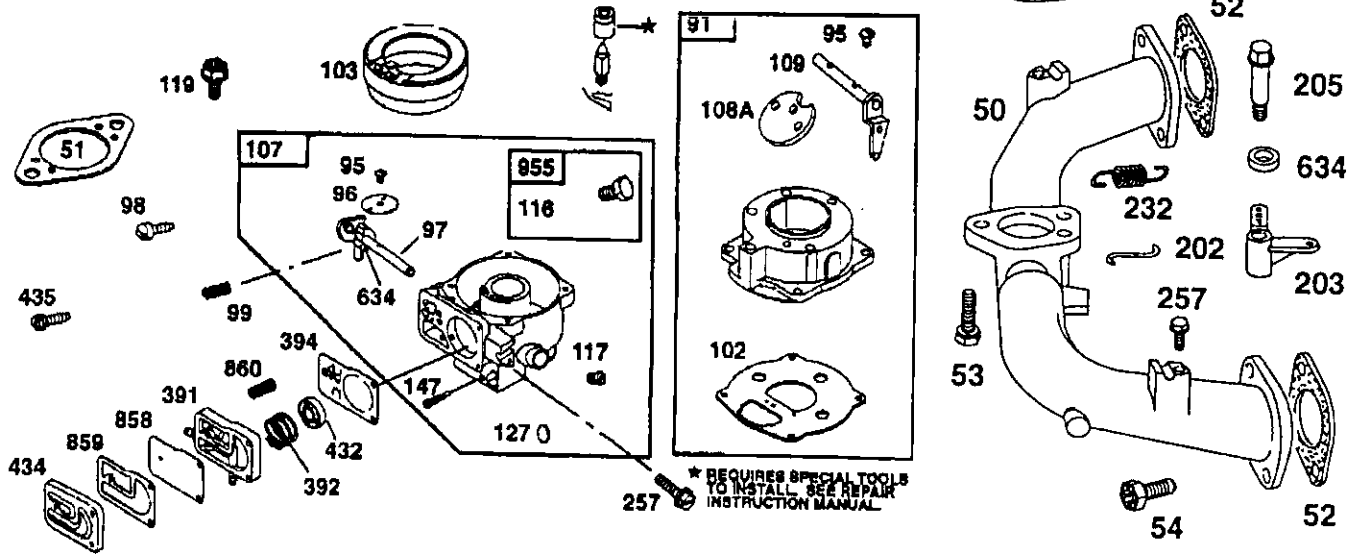
TRACTOR - - MODEL NUMBER 917.258321

BRIGGS & STRATTON ENGINE - MODEL NUMBER 42E707, TYPE NUMBER 2631-E1

358 GASKET SET

861 PUMP REPAIR KIT

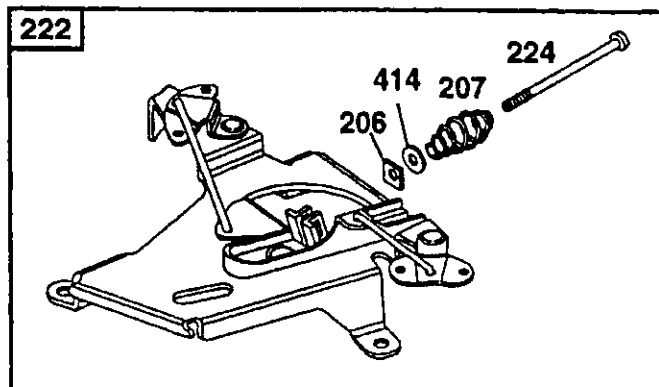
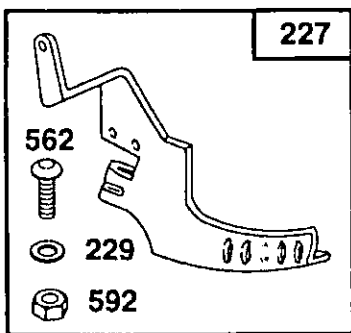
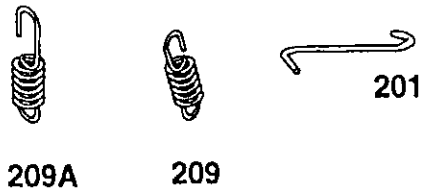
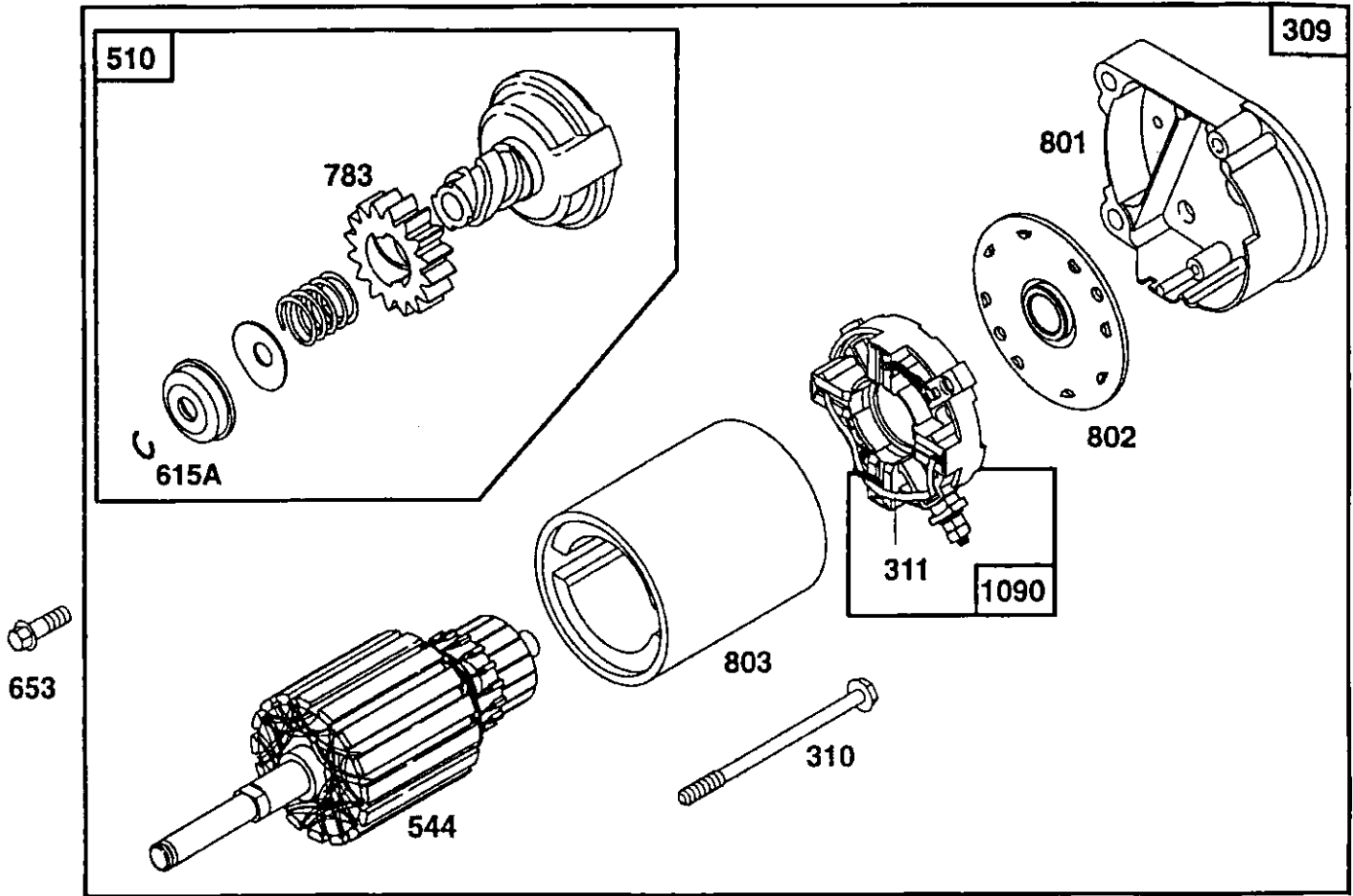
121 CARBURETOR KIT



REPAIR PARTS

TRACTOR - - MODEL NUMBER 917.258321

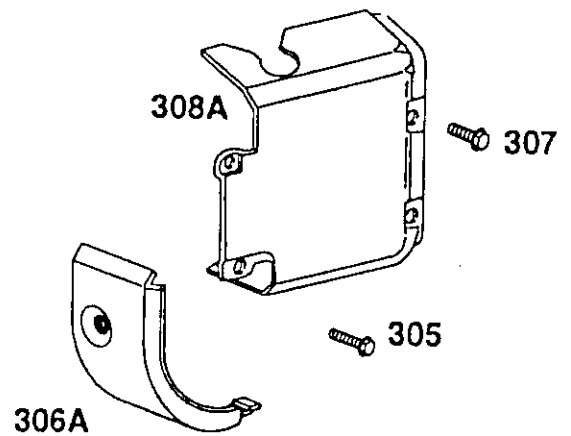
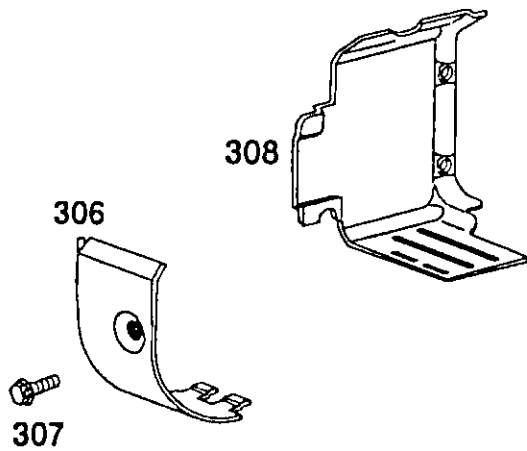
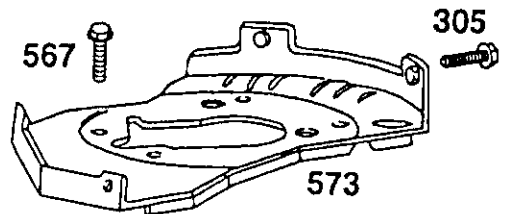
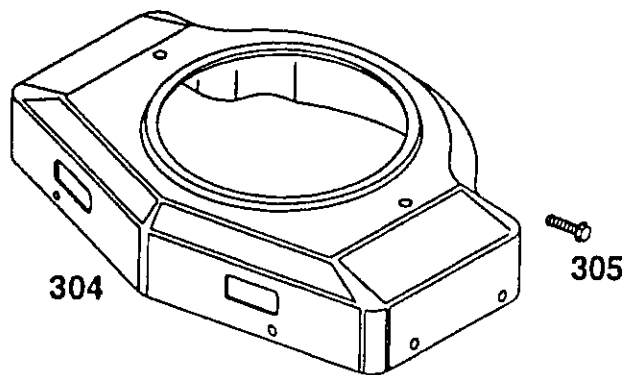
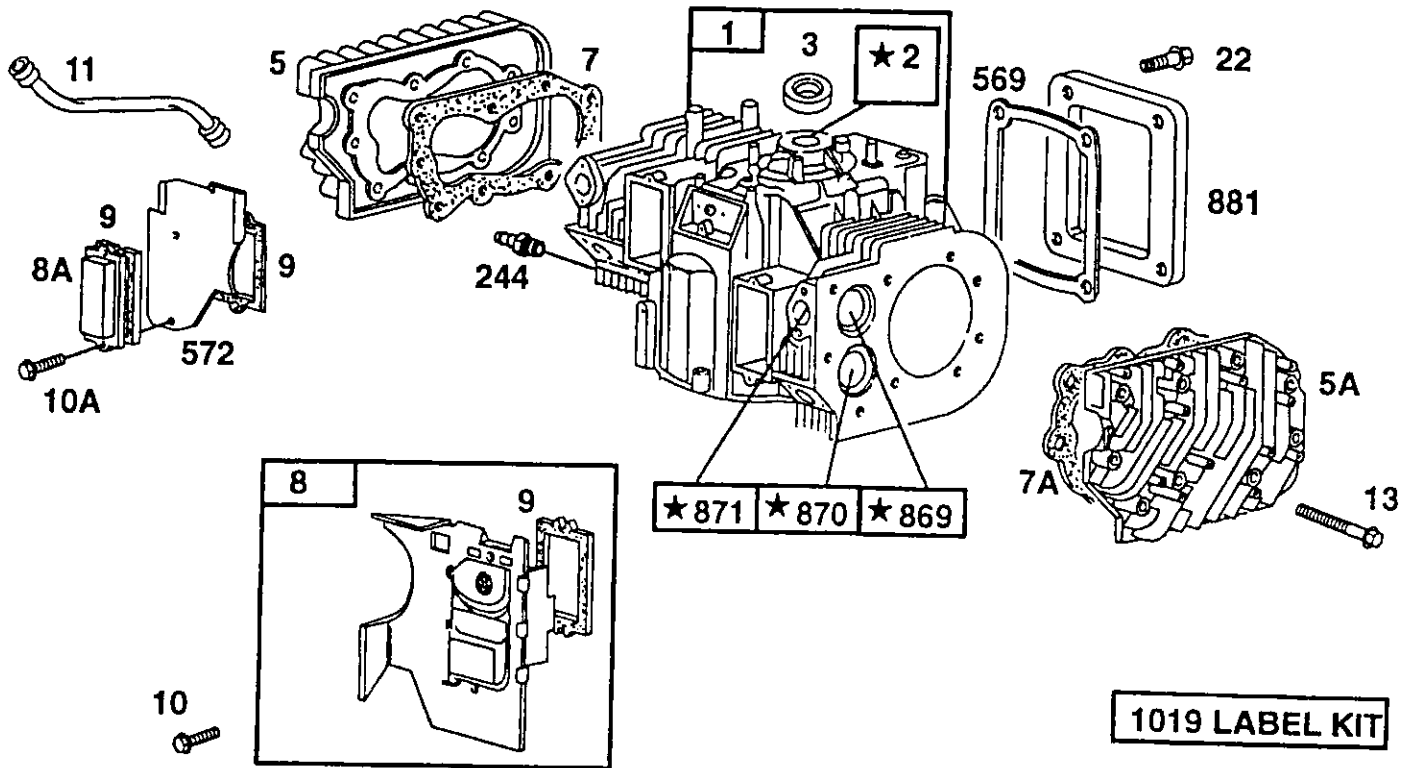
BRIGGS & STRATTON ENGINE - MODEL NUMBER 42E707, TYPE NUMBER 2631-E1



REPAIR PARTS

TRACTOR - - MODEL NUMBER 917.258321

BRIGGS & STRATTON ENGINE - MODEL NUMBER 42E707, TYPE NUMBER 2631-E1



REPAIR PARTS

TRACTOR - - MODEL NUMBER 917.258321

BRIGGS & STRATTON ENGINE - MODEL NUMBER 42E707, TYPE NUMBER 2631-E1

KEY PART NO.	NO.	DESCRIPTION	KEY PART NO.	NO.	DESCRIPTION
1	497074	Cylinder Assembly	54	93208	Screw, Phillips
2	399265	Bushing	75	222511	Washer, Spring
3	391086	* Seal, Oil	78	95039	Screw, Hex
4	493304	Sump, Engine	91	499281	Body Assembly, Upper
5	493457	Head, Cylinder #1	95	93499	Screw, Sems
5A	493458	Head, Cylinder #2	96	221939	Valve, Throttle
7	271867	* Gasket, Cylinder Head #1	97	499172	Shaft, Throttle
7A	271868	* Gasket, Cylinder Head #2	98	91920	Screw, Fillister Head
8	495754	Breather Assembly #1	99	26157	Spring, Throttle Adjust
8A	222892	Cover, Breather Cylinder #2 (Used Only on Key #572, Air Baffle with Holes for Mounting)	102	271607	** Gasket, Carburetor Body
9	27803	* Gasket, Breather	103	298514	Float, Carburetor
10	94382	Screw, Sems	104	231435	** Pin, Float Hinge
10A	94830	Screw, Sems	105	394682	** Valve, Needle
11	280225	Tube, Breather	107	499655	Body Assembly, Lower
12	273208	* Gasket, Crankcase, .015" Thick	108	225373	Valve, Choke
	271188	* Gasket, Crankcase, .005" Thick	109	392673	Shaft, Choke
	271189	* Gasket, Crankcase, .009" Thick	116	280474	* O-Ring
13	94565	Screw, Cylinder Head	117	232018	Jet, Needle Valve, Fixed
15	94239	Plug, Oil Drain		232022	Jet, Needle Valve, Fixed, High Altitude
16	394028	Crankshaft	119	94152	Screw, Hex Head
	94196	Timing Gear Key	121	491539	Carburetor Kit
19	399264	Bushing	125	19306	Carburetor
20	291675	* Seal, Oil	127	223472	** Plug, Welch
22	94724	Screw, Sems	161	496599	Base, Air Cleaner
23	491180	Flywheel	165	94289	Nut, Wing
24	222698	Key, Flywheel	187	299146	Line, Fuel, 28" Long (Cut to Suit)
25	498584	Piston Assembly, Standard Size	188	94627	Screw
	498585	Piston Assembly, .010" Oversize	201	262683	Link
	498586	Piston Assembly, .020" Oversize	202	262684	Link
	498587	Piston Assembly, .030" Oversize	203	280997	Crank, Bell
26	394959	Ring Set, Standard Size	205	93971	Screw, Hex Head
	394960	Ring Set, .010" Oversize	206	94298	Nut
	394961	Ring Set, .020" Oversize	207	262337	Spring, Control, Rod
	394962	Ring Set, .030" Oversize	209	262352	Spring, Governor
27	263129	Lock, Piston Pin	209A	261563	Spring, Governor Idle
28	498319	Pin, Piston, Standard Size	219	394348	Gear, Governor
	391286	Pin, Piston, .005" Oversize	219A	393415	Oil Slinger
29	394306	Rod, Connecting, Standard Size	220	222773	Washer, Thrust
	397158	Rod, Connecting, .020" Undersize	222	491282	Bracket, Control
32	94671	Screw, Connecting Rod	224	94297	Screw, Torx®
33	390420	Valve, Exhaust			* Included in Gasket Set (495868)
34	261528	Valve, Intake			** Included in Carburetor Kit (491539)
35	65906	Spring, Valve, Intake			*** Included in Carburetor Kit (491539), and Pump Repair Kit (393397)
36	26828	Spring, Valve, Exhaust			**** Included in Gasket Set (495868), and Carburetor Kit (491539)
40	221596	Retainer, Valve, Intake			
41	292260	Retainer, Valve, Exhaust			
42	494553	Keeper, Valve			
45	261368	Tappet, Valve			
46	214484	Gear, Cam			
50	213220	Manifold, Intake			
51	271412	**** Gasket, Carburetor Mounting			
51A	281412	Spacer, Carburetor			
52	270884	* Gasket, Intake Manifold Mounting			
53	93970	Screw, Hex Head, Carburetor to Manifold			

NOTE: All component dimensions given in U.S. inches
1 inch = 25.4 mm

REPAIR PARTS

TRACTOR - - MODEL NUMBER 917.258321

BRIGGS & STRATTON ENGINE - MODEL NUMBER 42E707, TYPE NUMBER 2631-E1

KEY PART NO. NO.	DESCRIPTION	KEY PART NO. NO.	DESCRIPTION
227 491297	Lever Assembly, Governor	556 93585	Screw, Hex Head
229 62199	Washer	562 93853	Bolt, Governor Lever
230 223882	Washer, Governor Crank, Inside	567 94811	Screw, Hex Head, Back Plate to Cylinder
235 224995	Shield, Fuel Spray	569 272645	* Gasket, Base
240 394358	Filter, Fuel	572 224816	Baffle, Air, Cylinder #2
244 230318	Connector, Fuel Line	573 491304	Plate, Back
257 93897	Screw, Sems	592 92278	Nut, Hex.
284 94674	Screw, Hex Head	601 93053	Clamp, Hose
284A 94882	Screw, Hex Head	615 94296	Retainer, E-Ring
304 495469	Housing, Blower, Red	615A 263080	Retainer
305 94786	Screw, Sems	616 491530	Crank, Governor
306 222846	Shield, Cylinder	634 271013	** Washer, Throttle Shaft
306A 223734	Shield, Cylinder	634A 491287	* Seal, Governor Shaft
307 94930	Screw, Self-Tapping	635 66538	Boot, Spark Plug
308 224774	Cover, Air Guide	642 225008	Cover, Air Cleaner
308A 224775	Cover, Air Guide	643 496700	Plate, Air Cleaner
309 497596	Motor, Starter	653 93585	Screw, Hex Head
310 94003	Bolt, Thru	726 391362	Gear, Ring (Includes Mounting Parts)
311 497608	Brush Set	741 262989	Gear, Timing
332 230674	Nut, Hex	783 280104	Gear, Starter
333 394891	Armature, Magneto	801 394860	Cap, Drive
334 94731	Screw, Sems	802 497607	Cap, End
337 802592	Plug, Spark	803 497604	Housing, Starter
356 494705	Wire, Stop	819 94675	Screw, Hex Head
358 495868	Gasket Set	842 270920	* Seal, Cap
363 19203	Flywheel Puller	847 495715	Tube Assembly, Oil
383 89838	Wrench, Spark Plug	851 493880	Terminal, Cable
391 280197	Body, Pump	858 270989	*** Diaphragm, Carburetor
392 261395	*** Spring, Diaphragm	859 271025	*** Gasket, Pump
394 272638	*** Diaphragm, Carburetor	860 261358	*** Spring, Diaphragm
414 220680	Washer	861 393397	Repair Kit, Pump
422 222875	Bracket, Oil Fill	868 497212	Seal, Valve
432 221377	*** Cap, Spring	869 261463	Seat, Valve, Intake
434 223688	Cover, Diaphragm	870 213316	Seat, Valve, Exhaust
435 93829	Screw, Diaphragm Cover	871 261961	Bushing, Guide (Exhaust Only)
445 394019	Filter, Air	231218	Bushing, Guide (Intake, Brass)
468 497908	Screen, Rotating	877 393456	Wire, Alternator
474 393474	Alternator	881 495901	Plate, Cover
482 93621	Screw,	955 397882	Plug and Seal, Solenoid
510 497606	Drive, Starter	1005 281053	Fan, Flywheel
523 494947	Cap, Oil Fill	1006 224901	Retainer, Fan
524 271157	* Seal, Fill Tube	119 496726	Label Kit
525 495348	Tube, Oil Fill (Includes Seals)	130 497605	Retainer, Brush
528 393815	Hose, Vacuum		
534 94823	Screw, Air Cleaner		
535 272490	Filter, Air		
537 271411	**** Gasket, Air Cleaner		
544 497603	Armature, Starter		
552 262332	Lower Bushing, Governor		
552A 262331	Upper Bushing, Governor		

NOTE: All component dimensions given in U.S. inches
1 inch = 25.4 mm

LIMIT

For two (2) years
to the instrument
or workman

This Warranty

- Expens
- Tire rep
- Repairs equipm
- Riding

CRAFTSMAN®

IMPORT

For ninety (90)
workmansh

IN-HOME VISIT
DAYS FROM THE
FROM THE INSTRUMENT TO
AFTER 30 DAYS
APPLIES TO THIS WARRANTY

Max & ERIK PEDERSEN
Aabyvej 69
DK-8230 Aabyhøj - Aarhus
Telefon 86-15 44 44
Fax 86-15 41 88

FORHANDLER

--

CONTENT

according to material

he

material or

FOR 30
30 DAYS
EQUIP-
AVAILABLE
WARRANTY