

REPAIR PARTS MANUAL
MODEL NO. 258331
Lawn Tractor

CRAFTSMAN®

HOW TO USE THIS MANUAL

This manual is designed to provide the customer with a means to identify the parts on his/her tractor when ordering repair parts. The illustrations may or may not represent the actual assemblies; therefore, it is not recommended to use this manual as a guide to assemble or disassemble the tractor. Some hardware and parts are drawn larger in order to more readily identify them.

Each tractor has its own model number.

The model number for your tractor can be found on the fender under the seat.

When ordering parts, always give the following information:

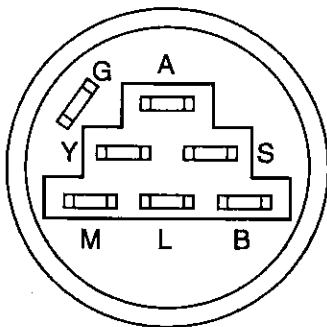
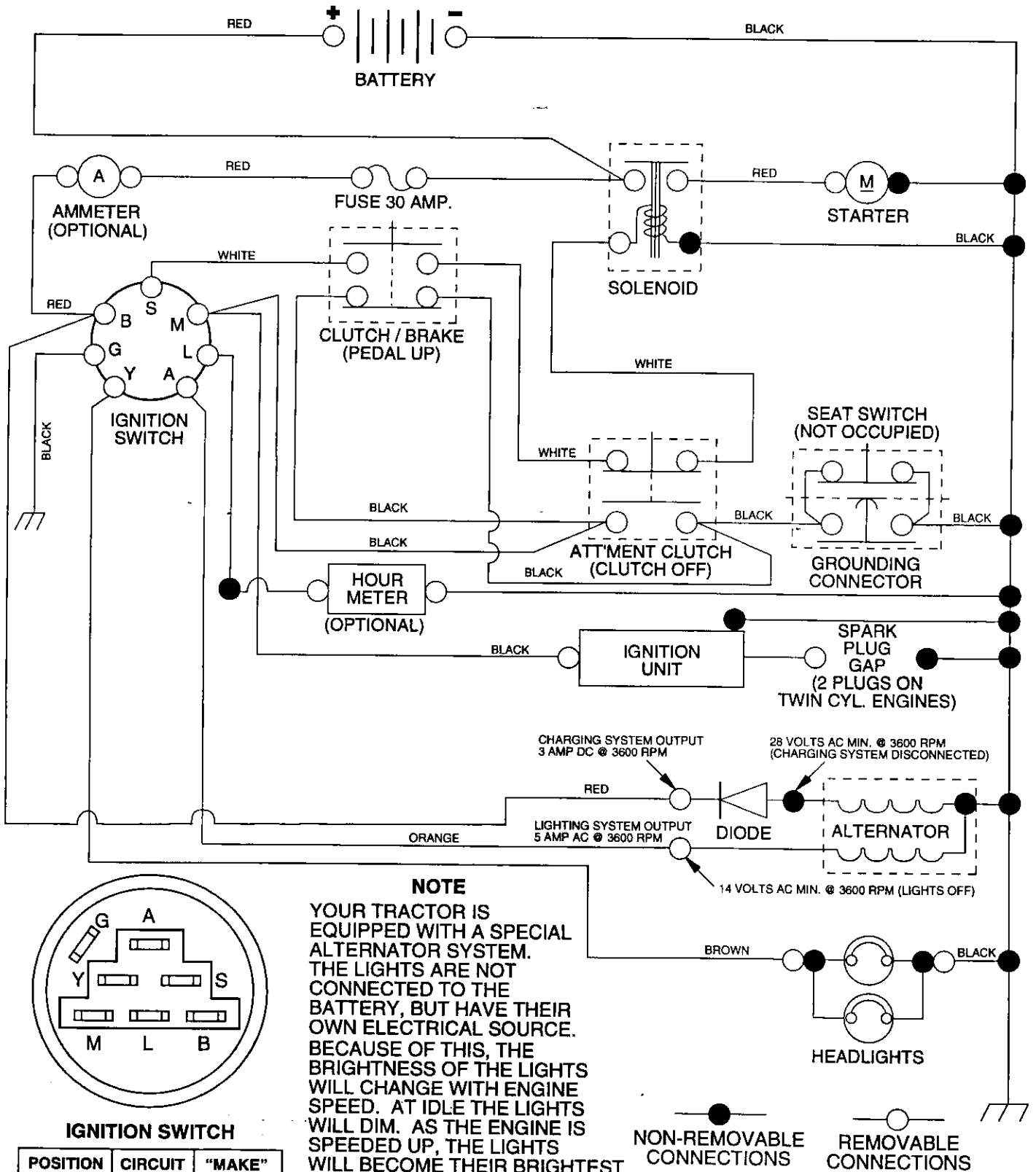
- Product - "Tractor"
- Model Number - "258331"
- Part Number
- Part Description

TABLE OF CONTENTS

SCHEMATIC	3
ELECTRICAL	4-5
CHASSIS	6-7
DRIVE	8-9
STEERING WHEEL	10-11
SEAT	12
DECALS	13
ENGINE	14
MOWER LIFT LEVER	15
MOWER DECK	16-17
TRANSAXLE	18-19
ENGINE BREAKDOWN	20-25

TRACTOR -- MODEL NUMBER 917.258331

SCHEMATIC



IGNITION SWITCH

POSITION	CIRCUIT	"MAKE"
OFF	G + M + L	NONE
RUN/LIGHT	B + L	A + Y
RUN	B + L	NONE
START	B + L + S	NONE

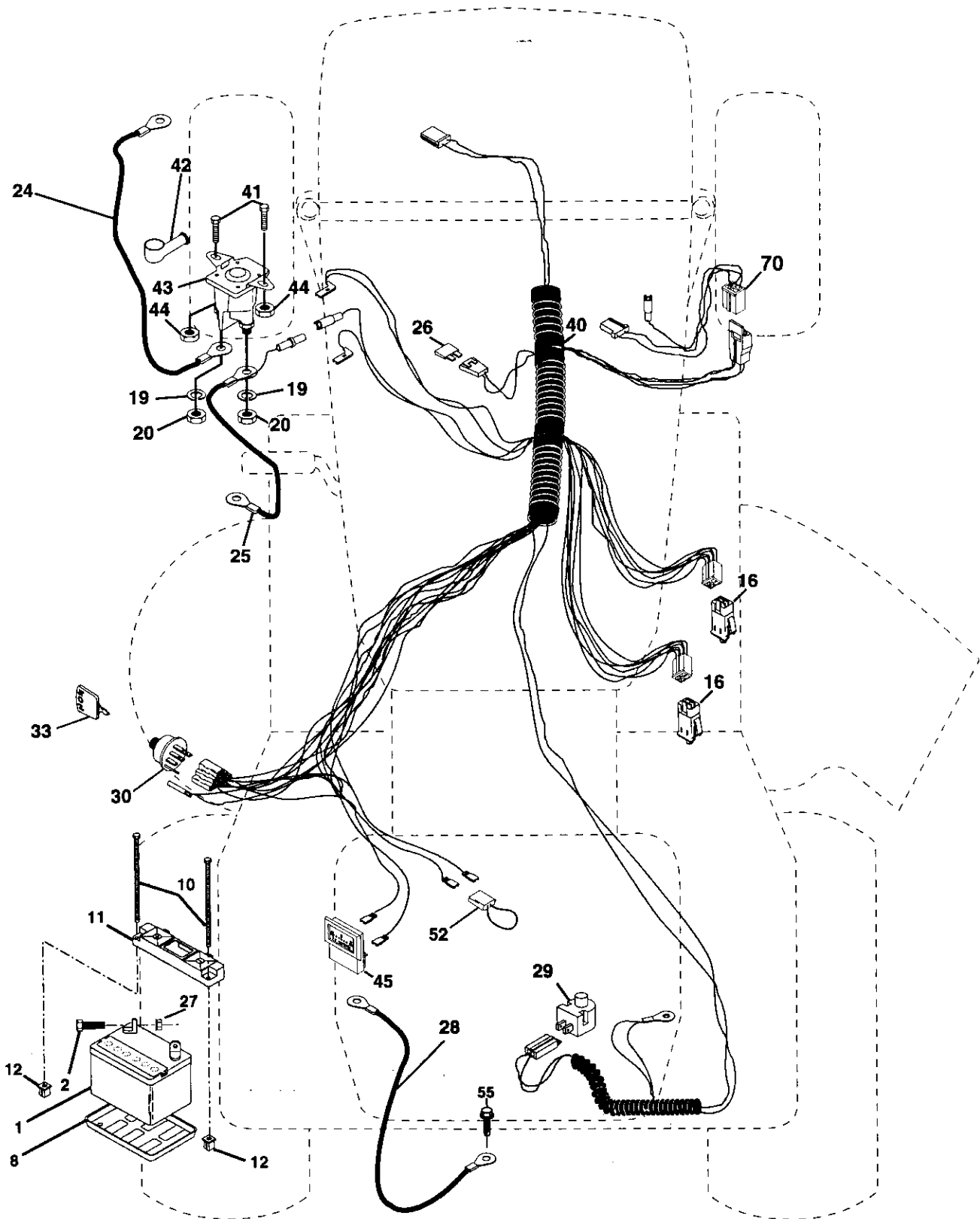
WIRING INSULATED CLIPS

NOTE: IF WIRING INSULATED CLIPS WERE REMOVED FOR SERVICING OF UNIT, THEY SHOULD BE REPLACED TO PROPERLY SECURE YOUR WIRING.

REPAIR PARTS

TRACTOR -- MODEL NUMBER 917.258331

ELECTRICAL



REPAIR PARTS

TRACTOR - - MODEL NUMBER 917.258331

ELECTRICAL

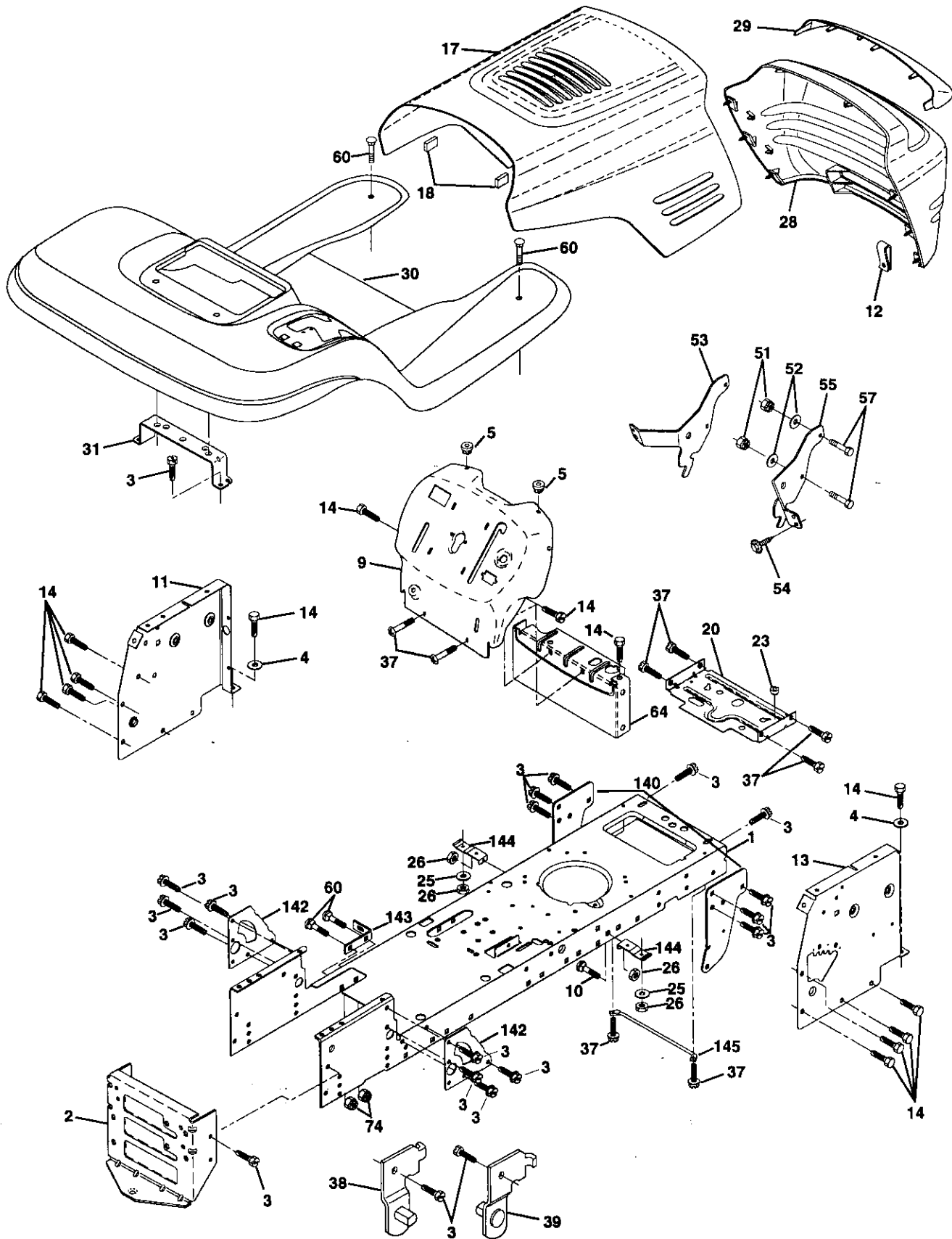
KEY NO.	PART NO.	DESCRIPTION
1	163465	Battery
2	74760412	Bolt, Hex 1/4-20 x 3/4
8	7603J	Tray, Battery
10	145211	Bolt, Btr Front 1/4-20 x 7-1/2
11	150109	Holddown Battery Front Mount
12	145769	Nut, Push Nylon Battery Front 1/4
16	153664	Switch Interlock Push-In
19	STD551125	Washer, Lock 1/4
20	73350400	Nut, Hex, Jam 1/4-20
21	166182	Harness, Light Socket (w/4152J)
22	4152J	Light Bulb
24	4799J	Cable, Battery
25	146148	Cable, Battery
26	166180	Fuse
27	73510400	Nut Keps Hex 1/4-20 Unc
28	145491	Cable, Ground
29	121305X	Switch, Seat
30	140301	Switch, Ignition 4 Position
31	124211X	Nut, Ignition
32	141226	Cover, Ignition Switch
33	109310X	Key, Molded, Craftsman
40	166145	Harness, Ignition
41	71110408	Bolt Blk Fin Hex 1/4-20 UNC x 1/2
42	131563	Cover, Terminal
43	145673	Solenoid
44	73640400	Nut Keps Blk Hex 1/4-20 UNC
45	121433X	Ammeter Rectangular 6 Amp
52	141940	Protection Wire Loop (Hour Meter)
55	17490508	Screw Thdrol 5/16-18 x 1/2
70	166658	Harness Engine B&S/Tec Dual

NOTE: All component dimensions given in U.S. inches
1 inch = 25.4 mm

REPAIR PARTS

TRACTOR -- MODEL NUMBER 917.258331

CHASSIS AND ENCLOSURES



REPAIR PARTS

TRACTOR - - MODEL NUMBER 917.258331

CHASSIS AND ENCLOSURES

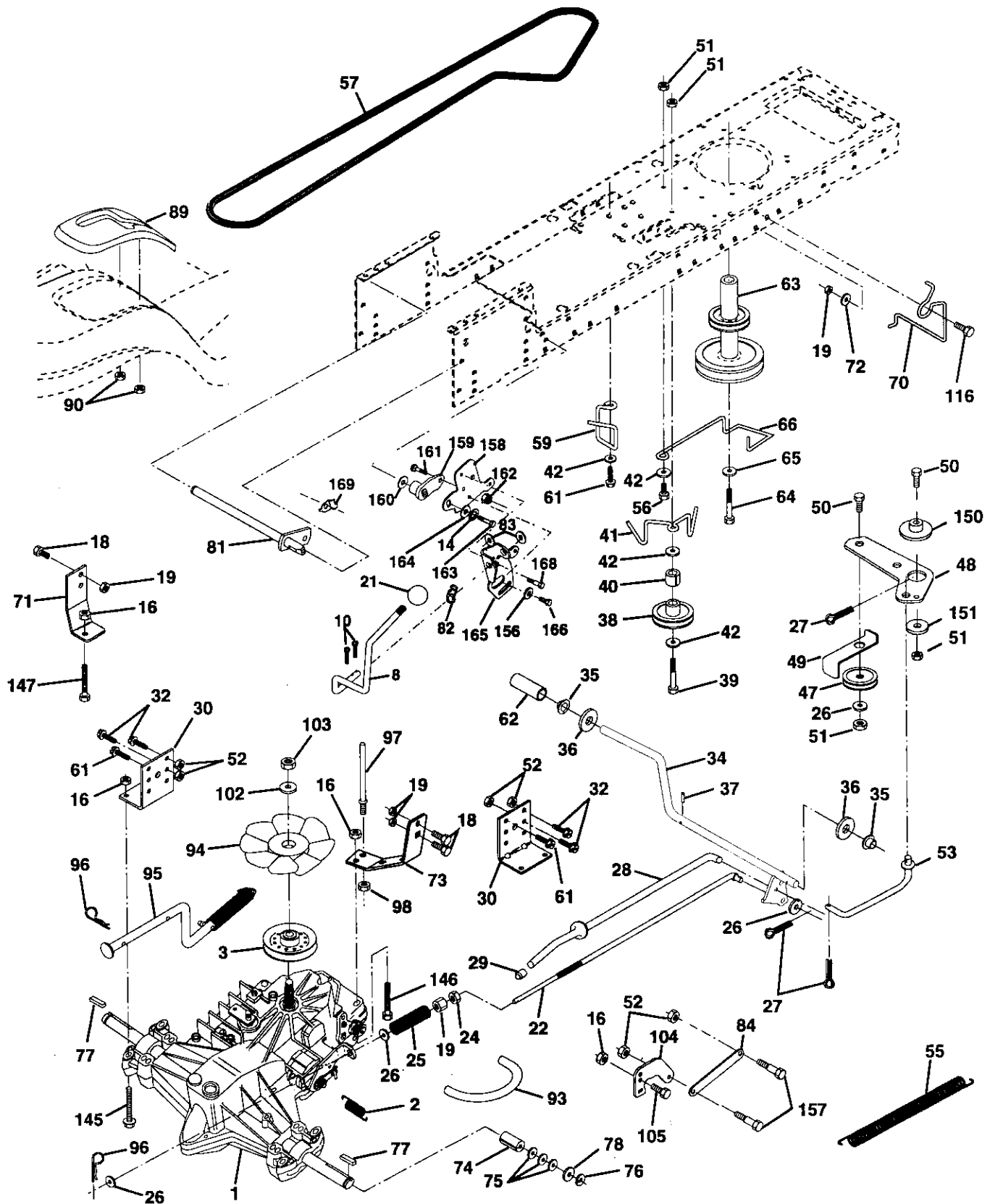
KEY NO.	PART NO.	DESCRIPTION
1	166819	Chassis, STLT
2	140356	Drawbar
3	17490612	Screw, Thd., Roll. 3/8-16 x 3/4 Type TT
4	STD551025	Washer 13/32 x 3/4 x 16 Gauge
5	155272	Bumper Hood/Dash
9	161917X012	Dash, Silkscreened
10	STD533710	Bolt, Carriage 3/8-16 x 1
11	155927	Panel, Dash, LH
12	145660	Clip Tinnerman Grille P/L
13	155936	Panel, Dash, RH
14	17490608	Screw, Thd., Roll. 3/8-16 x 1/2 Type TT
17	144983X558	Hood Assembly
18	126938X	Bumber Hood
20	156437	Plate Mtg Battery Fuel Tank
23	124028X	Bushing, Snap, Nylon, Fuel Line
25	19131312	Washer 13/32 x 13/16 x 12 Gauge
26	STD541437	Locknut, Hex, with Insert 3/8-16 UNC
28	145198X558	Grille, W/Clips MS-558
29	155217X599	Lens, Grille
30	151287X558	Fender/Footrest
31	139976	Bracket, Fender/Support
37	17490508	Screw, Thdrol. 5/16-18 x 1/2 TYT
38	139886	Pivot Bracket Assembly, LH, Mower, Rear
39	139887	Pivot Bracket Assembly, RH, Mower, Rear
51	73800400	Nut Lock W/Insert 1/4 - 20 UNC
52	19091416	Washer 9/32 X 7/8 X 16 Ga.
53	145201	Bracket Grille Pickoff LH
54	161464	Screw, Hex Wshd #8-18 x 7/8
55	145202	Bracket Grille Pickoff RH
57	STD552507	Bolt FinHex 1/4 -20 UNC X.75
58	140547	Air Duct P/L 18HP B&S Opp. Twin
60	72140606	Bolt Rdhd Sqnk 3/8-16 UNC x 3/4
64	154798	Dash Lower STLT
74	STD541437	Nut Crownlock 3/8-16 UNC
140	158418	Bracket Suspension Front
142	165867	Plate Reinforcement STLT
143	154966	Bracket Swaybar Chassis
144	154207	Bracket Footrest STLT
145	156524	Rod Pivot Chassis/Hood

NOTE: All component dimensions given in U.S. inches
1 inch = 25.4 mm

REPAIR PARTS

TRACTOR -- MODEL NUMBER 917.258331

DRIVE



REPAIR PARTS

TRACTOR - - MODEL NUMBER 917.258331

DRIVE

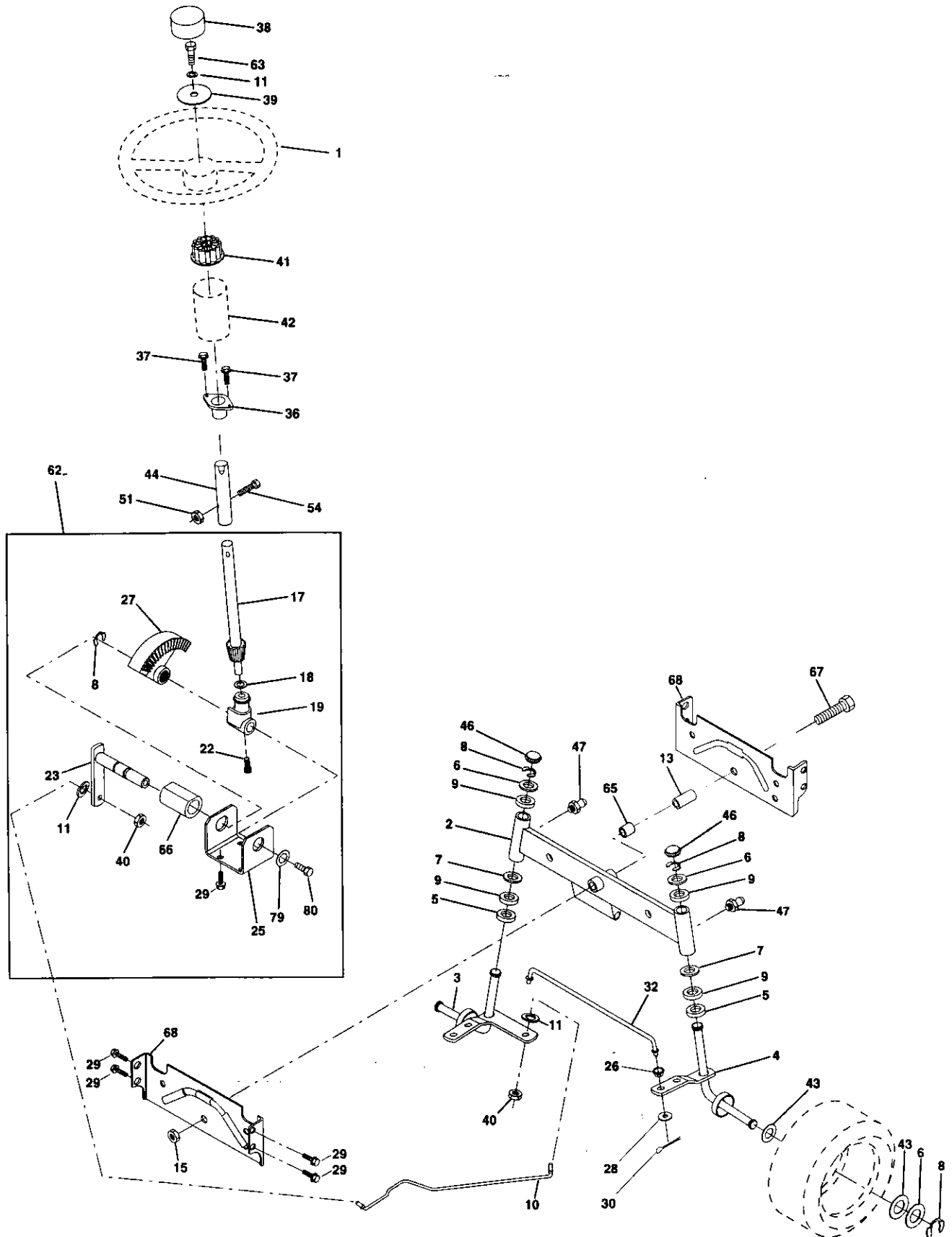
KEY NO.	PART NO.	DESCRIPTION	KEY NO.	PART NO.	DESCRIPTION
1	150071	Transaxle (See Breakdown)	71	140158	Strap Torque Lh Hydro 18/20" T
		Hydro Gear Model No. 319-0650	72	19132012	Washer 13/32 x 1-1/4 x 12 Ga.
2	142431	Spring, Return, Brake	73	156347	Strap Torque Rh Hydro 0650
3	143995	Pulley, Transaxle	74	121199X	Spacer, Split
8	165866	Rod Shift Fender STLT	75	121749X	Washer 25/32 x 1-1/4 x 16 Gauge
10	STD561210	Pin Cotter 1/8 x 1 CAD	76	STD581075	E-Ring
14	10040400	Washer Lock Hvy Helical	77	123583X	Key, Square
16	STD541431	Nut Lock Hex W/Ins. 5/16-18 Unc	78	121748X	Washer 25/32 x 1-5/8 x 16 Gauge
18	STD523710	Bolt Fin Hex 3/8-16 Unc x 1 Gr. 5	81	165591	Shaft Asm. Cross Hydro 20" Tires
19	STD541437	Nut Lock Hex W/Wsh 3/8-16 Unc	82	165711	Spring Torsion T/A
21	130564	Knob, Deluxe 1/2-13	83	19171216	Washer 17/32 x 3/4 x 16 Ga.
22	145627	Rod, Brake Hydro	84	165815	Rod, Tie Hydro 20" Tires
24	73350600	Nut, Hex Jam 3/8-16 Unc	89	164890X428	Console, Shift
25	106888X	Spring, Brake Rod	90	124346X	Nut Self-Thd Wsh-hd 1/4 Zinc
26	STD551037	Washer	93	142564	Line Fuel Hydro 4"
27	STD561210	Pin Cotter 1/8 x 3/4 CAD.	94	140462	Fan, Hydro 7"
28	145204	Rod, Parking Brake	95	144643	Control Bypass Hydro 20" Tires
29	124236X	Cap, Parking Brake	96	4497H	Retainer Spring 1" Zinc/Cad
30	130807	Bracket, Transaxle	97	140469	Keeper Bolt Rh Hydro 0750. 18/20"
32	74760512	Bolt Hex Hd 5/16-18 Unc x 3/4	98	73510600	Nut Keps Hex 3/8-16 Unc
34	155071	Shaft, Foot Pedal	102	141322	Washer Bellville .501D x 1.50D
35	120183X	Bearing, Nylon	103	73940800	Nut Hex Jam Toplock 1/4-20 Unf
36	19211616	Washer	104	140156	Arm, Control Hydro
37	1572H	Pin, Roll	105	71070516	Screw Cap Hex 5/16 x 18 x 1
38	131494	Pulley, Idler, Flat	116	72110610	Bolt Carr. 3/8-16 x 1.25
39	STD523727	Bolt	145	74490540	Bolt Hex Flghd 5/16-18 Gr. 5
40	4470J	Spacer, Split	146	74490536	Bolt Fin Hex 5/16-18 x 2-1/4
41	165838	Keeper, Belt Idler	147	74490524	Bolt Fin Hex 5/6-18 Unc x 1-1/2
42	19131312	Washer 13/32 x 13/16 x 12 Gauge	150	168850	Bushing Bellcrank
47	127783	Pulley, Idler, V-Groove	151	19133210	Washer 13/32 x 2 x 10 Ga.
48	154407	Bellcrank Clutch Grnd Drv STL	156	166002	Washer Srtd 5/16ID x 1.0 x .125
49	123205X	Retainer, Belt	157	153236	Bolt Shoulder 5/16-18 Unc-2A
50	STD523715	Bolt	158	165589	Bracket Shift Mount
51	STD541437	Nut Crownlock 3/8-16 UNC	159	165494	Hub Tapped Flange Shift LT
52	STD541431	Nut, Crownlock 5/16-18 Unc	160	19292016	Washer 29/32 x 1-1/4 x 16 Ga.
53	105710X	Link, Clutch	161	72140406	Bolt RdHd Sqnk 1/4-20 x 3/4 Gr. 5
55	105709X	Spring, Return, Clutch	162	73680400	Nut Crownlock 1/4-20 Unc
56	STD523712	Bolt Hex 3/8-16 x 1-1/4	163	74780416	Bolt Hex Fin 1/4-20 Unc x 1 Gr. 5
57	140294	V-Belt, Ground Drive	164	19091010	Washer 5/8 x .281 x 10 Ga.
59	140312	Keeper, Center Span	165	165623	Brkt Pivot Lever
61	17490612	Screw Thdrol. 3/8-16 x 3/4 Ty. TT	166	166880	Screw 5/16-18 x 5/8 TT Yellow
62	8883R	Cover, Pedal	168	165492	Bolt Shoulder 5/16-18 x .561 TT
63	140186	Pulley, Engine	169	165580	Plate Fastening STLT
64	71170764	Bolt Hex 7/16-20 x 4 Gr. 5	171	17490612	Screw Thdrol 3/8-16 x 3/4 Ty-Tt
65	STD551143	Washer			
66	154778	Keeper Belt Engine			
70	134683	Guide Belt RH Engine			

NOTE: All component dimensions given in U.S. inches
1 inch = 25.4 mm

REPAIR PARTS

TRACTOR - - MODEL NUMBER 917.258331

STEERING ASSEMBLY



REPAIR PARTS

TRACTOR -- MODEL NUMBER 917.258331

STEERING ASSEMBLY

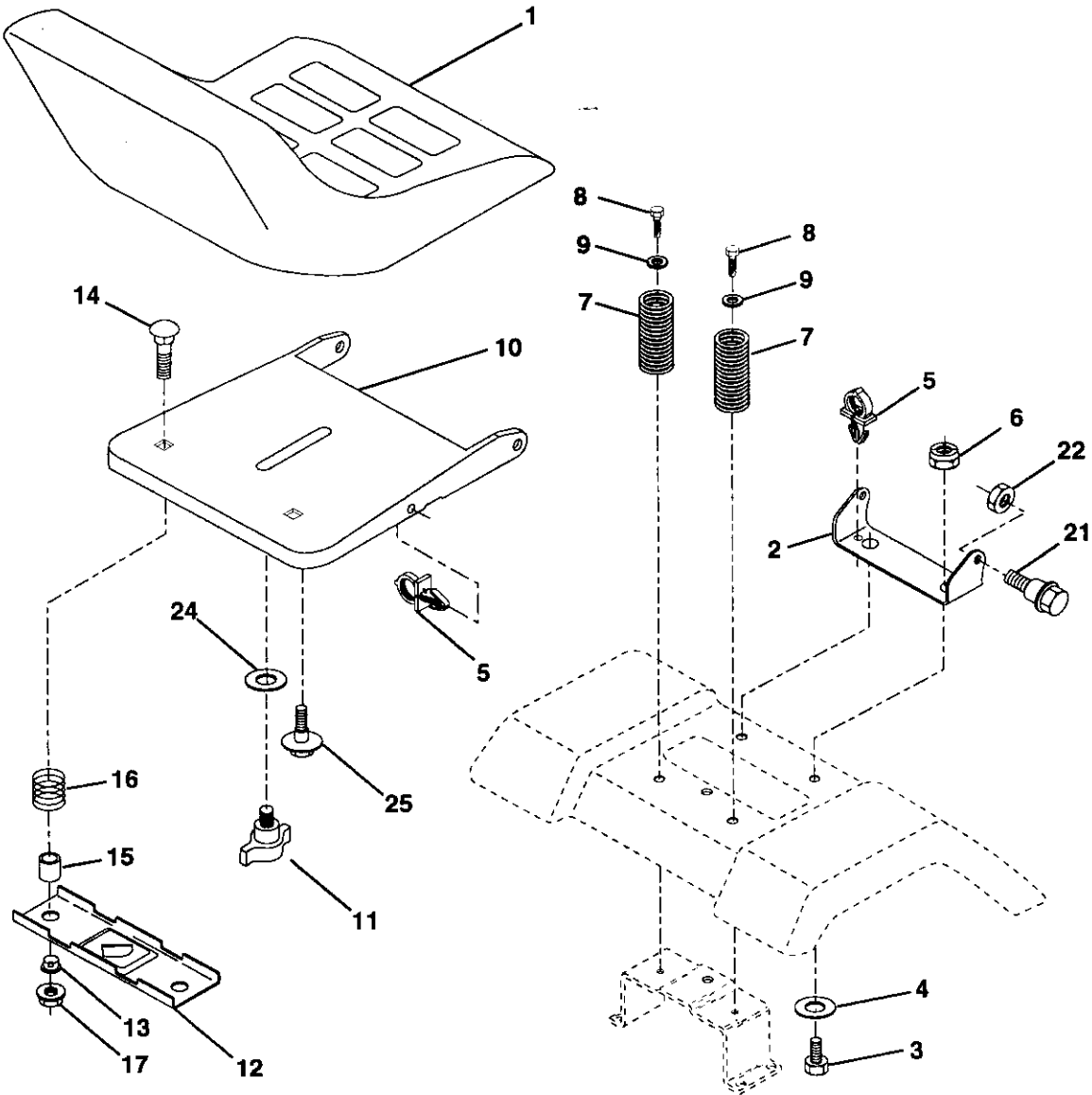
KEY NO.	PART NO.	DESCRIPTION
1	139768	Wheel Steering Std Black
2	154427	Axle Asm Front
3	156483	Spindle Asm Lh
4	157473	Spindle Asm Rh
5	6266H	Bearing Race Thrust Harden
6	121748X	Washer 25/32 X 1 5/8 X 16ga
7	19272016	Washer 27/32 X 1 1/4 X 16 Ga
8	12000029	Ring Klip #t5304-75
9	3366R	Bearing Col Strg Blk
10	156438	Link Drag Extended Stamped
11	STD551137	Washer Lock Hvy Hlcl Spr 3/8
13	154779	Bearing Axle STLT/GT
15	73901000	Locknut Flange 5/8-11 UNC
17	156546	Shaft Asm Strg Private Label
18	57079	Washer Thrust 515x 750x 033
19	160395	Support Shaft
22	165857	Screw Hex Wshhd Torx
23	165851	Shaft Asm Pittman
25	154406	Bracket Steering
26	126847X	Bushing Rod Tie Blk Lt
27	136874	Gear Sector
28	19131416	Washer 13/32 X 7/8 X 16ga
29	17490612	Screw Thdrol 3/8-16x3/4 Ty-tt
30	STD561210	Pin Cotter 1/8 X 3/4 Cad
32	130465	Rod Tie Wire Form 19 75 Mech
36	155099	Bushing Strg 5/8 Id Dash
37	152927	Screw TT #10-32x5x3/8 Flange
38	139769	Insert Cap Strg Wheel Std Blk
39	19133808	Washer 13/32 X 2-3/8 X 8 Ga
40	7810H	Nut Lock Center 3/8-24 UNF
41	100711L	Adaptor Wheel Strg
42	145054	Boot Shaft Steering
43	121749X	Washer 25/32 X 1 1/4 X 16 Ga
44	153720	Extension Steering Non-Adjust
46	121232X	Cap Spindle Fr Top Blk
47	6855M	Fitting Grease
51	73800500	Nut Lock Hex W/Ins 5/16 -18 UNC
54	74780520	Bolt Fin Hex 5/16 - 18 UNC X 1 -1/4
62	156594	Kit, Steering Assembly
63	74780616	Bolt Fin Hex 3/8-16unc x 1 Gr.5
65	154780	Spacer Axle
66	154404	Bearing Arm Pittman
67	74781044	Bolt Fin Hex 5/8-11 UNC x 2-3/4
68	154429	Axle Brace
79	19132012	Washer 13/32 x 1-1/4 x 12 Ga.
80	74950612	Bolt Hex Nylon 3/8-16 x 3/4

NOTE: All component dimensions given in U.S. inches
1 inch = 25.4 mm

REPAIR PARTS

TRACTOR -- MODEL NUMBER 917.258331

SEAT ASSEMBLY



KEY NO.	PART NO.	DESCRIPTION
1	140123	Seat
2	140551	Bracket Pnt Pivot Seat (blk)
3	74760616	Bolt Fin Hex 3/8-16 UNC x 1
4	19131610	Washer Flat 13/32 x 1 x 10 Ga
5	145006	Clip Push-In
6	STD541437	Nut Lock Hex W/Ins 3/8 -16 UNC
7	124181X	Spring Seat Cprsn 2 250 Blk Zi
8	17490616	Screw 3/8-16x1
9	19131614	Washer 13/32 x 1 x 14 Ga
10	155925	Pan Pnt Seat (blk)
11	166369	Knob Seat Adj Wingnut
12	121246X	Bracket Pnt Mounting Switch

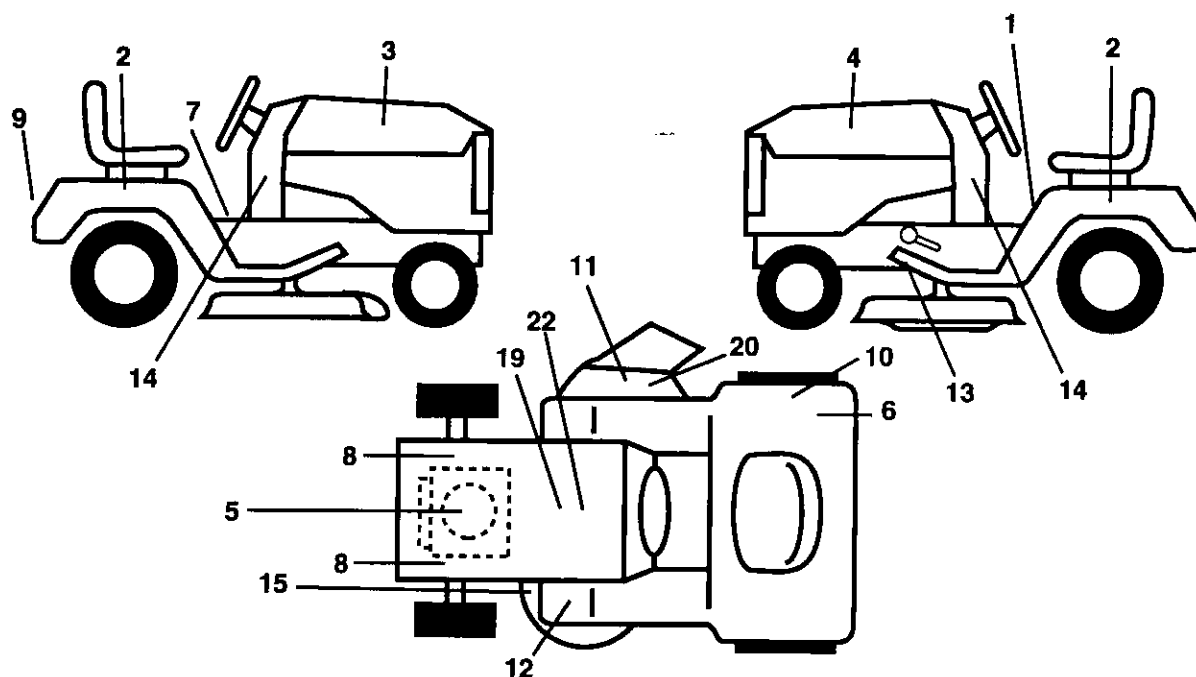
KEY NO.	PART NO.	DESCRIPTION
13	121248X	Bushing Snap Blk Nyl 50 Id
14	72050412	Bolt Rdhd Sht Nk 1/4-20x1-1/2
15	134300	Spacer Split 28 X 96 Zinc
16	121250X	Spring Cprsn 1 27 Blk Pnt
17	123976X	Nut Lock 1/4 Lge Flg Gr 5 Zinc
21	153236	Bolt Shoulder 5/16-18 Unc
22	STD541431	Nut Lock Hex W/Ins 5/16-18
24	19171912	Washer 17/32 X 1-3/16 X 12 Ga
25	127018X	Bolt Shoulder 5/16-18 X 62

NOTE: All component dimensions given in U.S. inches
1 inch = 25.4 mm

REPAIR PARTS

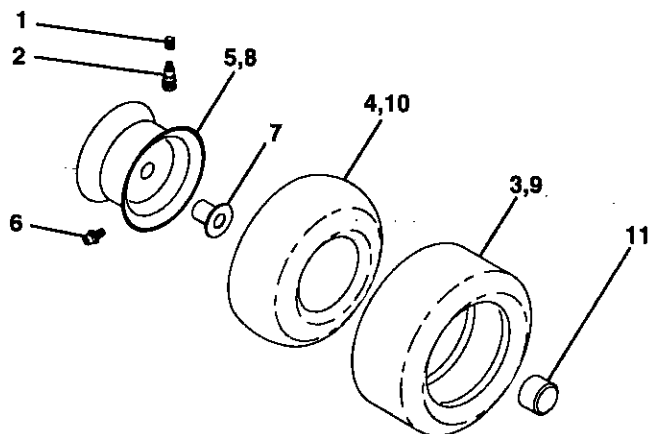
TRACTOR -- MODEL NUMBER 917.258331

DECALS



KEY NO.	PART NO.	DESCRIPTION	KEY NO.	PART NO.	DESCRIPTION
1	145498	Decal Read Owners Manual	14	163259	Decal Dash Panel
2	163205	Decal Fend Auto Sears Gold	15	160396	Decal Mower Drive Schematic
3	163200	Decal Hood Rh Craftsman	19	138047	Decal, Battery Diehard Sears
4	163202	Decal Hood Lh Craftsman	20	145005	Decal Deck Mower EZ3 Mulching
5	165392	Decal HP Engine	22	145005	Decal Battery
6	126187X	Decal Cert DBA	--	162598	Decal Drawbar Load Limit
7	140837	Decal Brake Parking LT	--	138311	Decal Lift Handle
8	159736	Decal Chassis Hot Muffler	--	142341	Decal, Drawbar Cntrl. Mvt. Hyd. Lt.
9	163204	Decal Fender Craftsman Gold	--	154515	Pad Footrest Lh STLT
10	145437	Decal Europe Stand CE	--	154516	Pad Footrest Rh STLT
11	145494	Decal Inter Cutfinger	--	169026	Manual, Oper's (Euro)
12	159737	Decal Brake/Clutch Sym LT	--	169027	Manual, Oper's (Scan)
13	146046	Decal V-belt Dr Sch Tractor E	--	169028	Manual, Repair Parts

WHEELS & TIRES



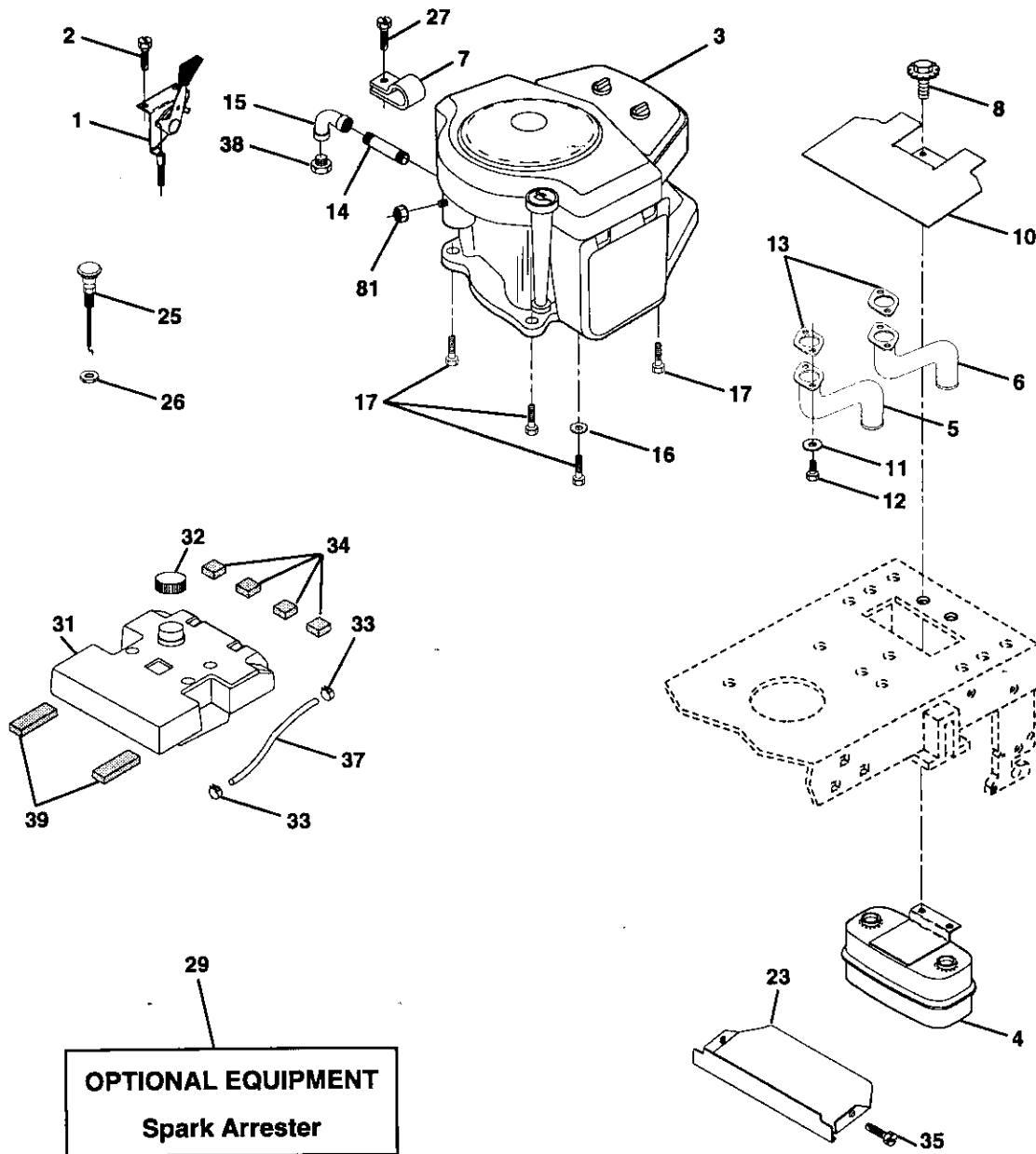
KEY NO.	PART NO.	DESCRIPTION
1	59192	Valve Cap, Tire
2	65139	Stem, Valve
3	106222X	Tire, Front
4	59904	Tube, Front Tire (Not Provided, Service Item Only)
5	106732X427	Rim, Front
6	278H	Fitting, Grease (Front Wheel Only)
7	9040H	Bearing, Flange (Front Wheel Only)
8	106108X427	Rim, Rear
9	122082X	Tire, Rear
10	7152J	Tube, Rear Tire (Not Provided, Service Item Only)
11	104757X	Cap, Axle
--	144334	Sealant, Tire (10 oz. Tube)

NOTE: All component dimensions given in U. S. inches
1 inch = 25.4 mm

REPAIR PARTS

TRACTOR - - MODEL NUMBER 917.258331

ENGINE



KEY NO.	PART NO.	DESCRIPTION
1	162152	Control Throt Paddle 32 22
2	17720410	Screw Hex Thd Cut 1/4-20x5/8 T
3	-----	Engine (See Breakdown) Briggs Model No. 42E707-2631-E1
4	149723	Muffler Exhaust
5	144069	Exhaust Asm. Left
6	144068	Exhaust Asm. Right
7	138129	Clamp Tube Double Engine
8	150176	Bolt 5/16 - 18 UNC X 3/4 W/Sems
10	145552	Heat Shield Lt
11	STD551125	Washer Lock Hvy. Helical 1/4
12	STD522507	Bolt Fin Hex 1/4-20 x 3/4
13	165287	Gasket Muffler
14	13280336	Nipple Pipe 4-1/2"
15	13200300	Elbow Std 90 Degree 3/8-18 Npt

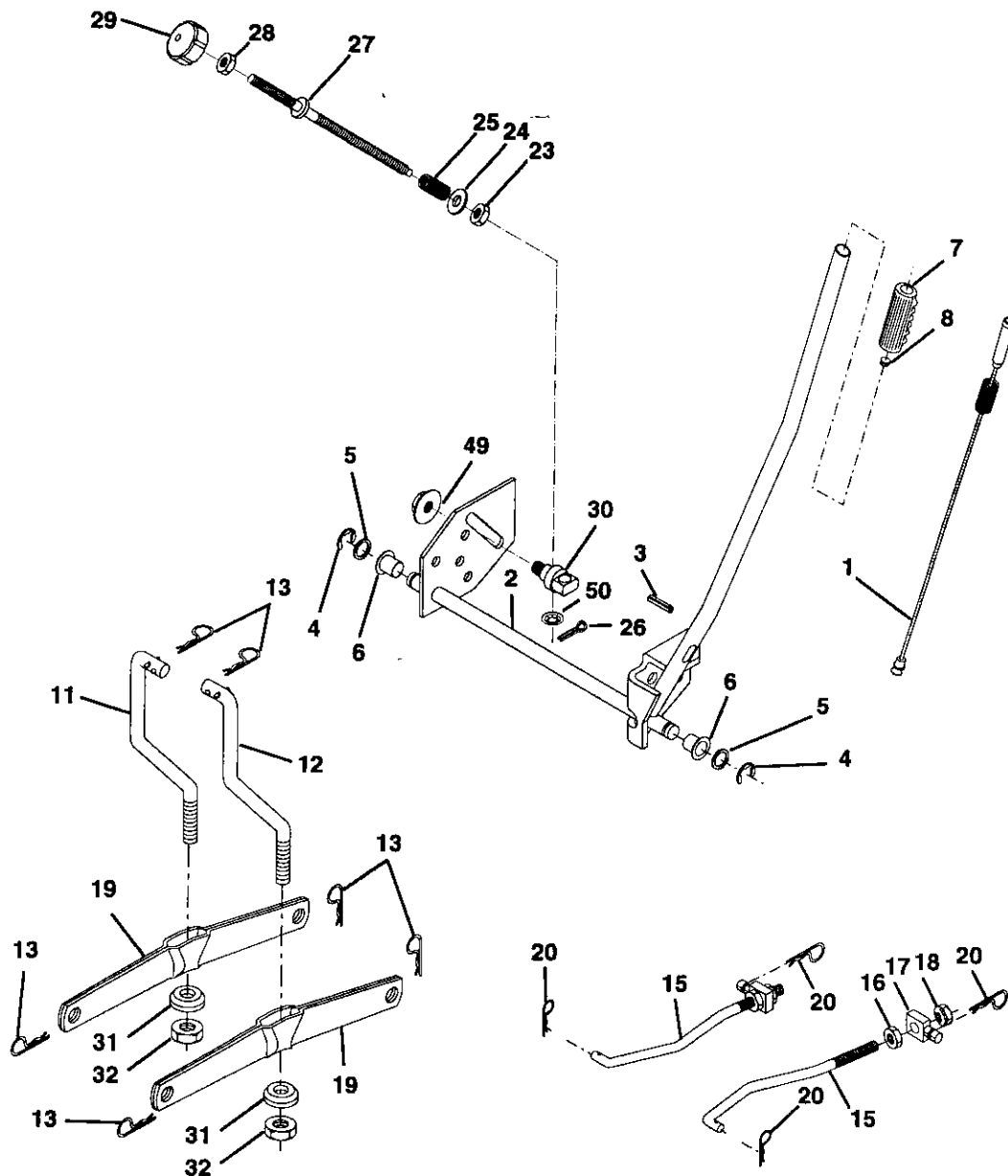
KEY NO.	PART NO.	DESCRIPTION
16	STD551237	Washer Lock Ext Tooth 3/8
17	17490624	Screw Thdrol 3/8-16x1-1/2 Tytt
23	159880	Shield Browning/Debris Guard
25	145996	Control Choke
26	73920600	Nut Keps 3/8-24 Unf
27	152927	Screw TT #10-32 x 5 x 3/8 Flange
29	137180	Arrestor Spark
31	157103	Tank Fuel 3 50 Rear
32	161696	Cap Fuel Guage STLTL
33	123487X	Clamp Hose Blk
34	106082X	Spacer Pad
35	17490512	Screw Thdrol 5/16-18 x 3/4
37	8543R	Fuel, Line 54" Rear
39	109227X	Pad, Idler 1-3/4 x 3/4 x .06
81	128861	Nut, Flange 1/4-20

NOTE: All component dimensions given in U.S. inches
1 inch = 25.4 mm

REPAIR PARTS

TRACTOR - - MODEL NUMBER 917.258331

MOWER LIFT



KEY NO.	PART NO.	DESCRIPTION
1	159460	Wire Assy., Inner/Spring, w/Plunger
2	159471	Shaft Asm. Lift
3	105767X	Pin Groove
4	12000002	E Ring #5133-62
5	19211621	Washer 21/32 x 1 x 21 Ga.
6	120183X	Bearing Nylon
7	125631X	Grip Handle Fluted
8	122365X	Button Plunger Read
11	139865	Link Lift Lh Fixed Length
12	139866	Link Lift Rh Fixed Length
13	STD624008	Retainer Spring
15	127218	Link Front
16	73350800	Nut Jam Hex 1/2-13 Unc
17	130171	Trunnion Blk Zinc
18	73800800	Nut Lock W/Wsh 1/2-13 Unc

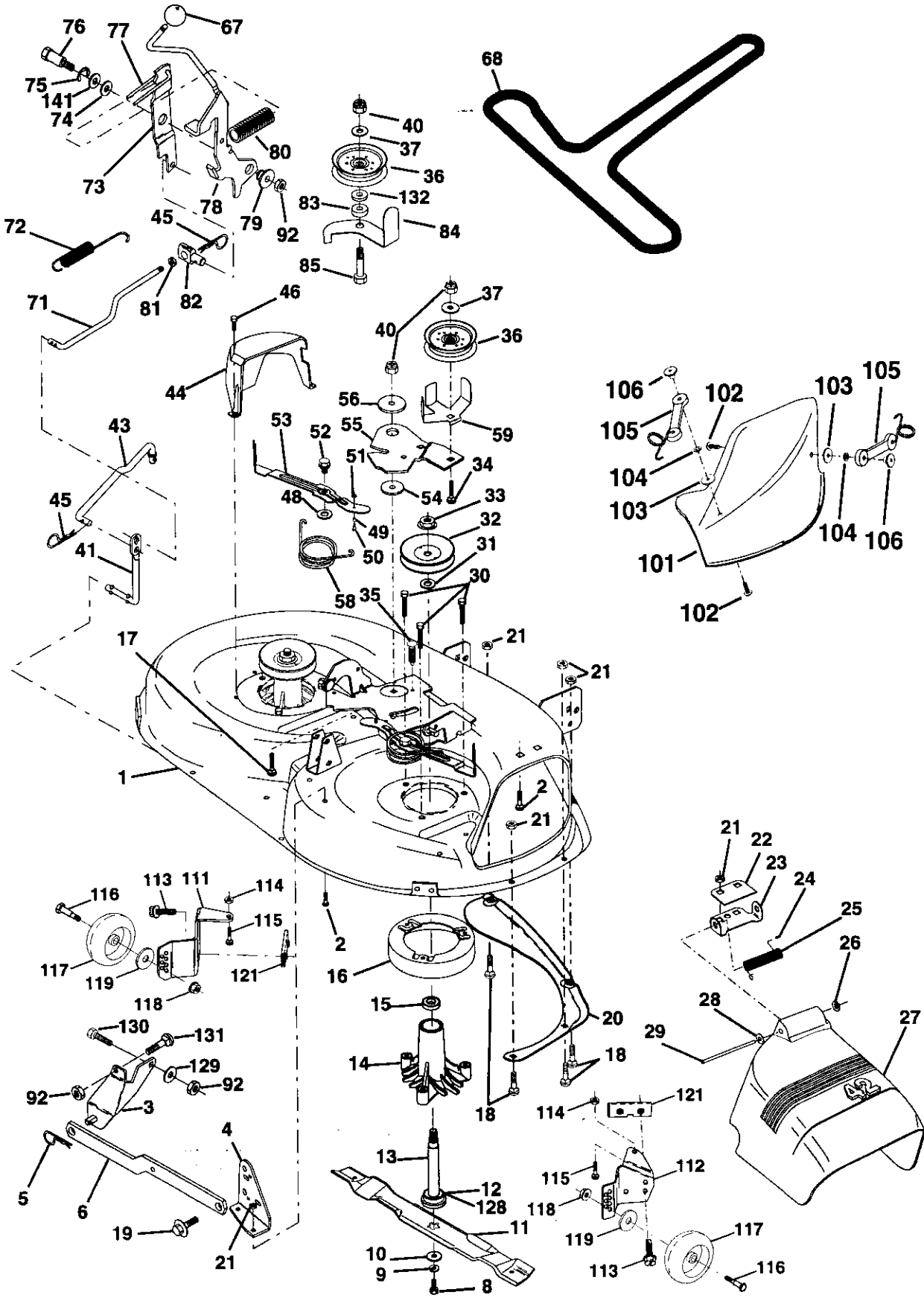
KEY NO.	PART NO.	DESCRIPTION
19	139868	Arm Suspension Rear
20	163552	Retainer Spring
23	110807X	Nut Special
24	19131016	Washer 13/32 x 5/8 x 16 Ga.
25	2876H	Spring 2-1/8"
26	76020308	Pin cotter 3/32 x 1/2
27	126971X	Rod Adj. Lift
28	73350600	Nut Hex Jam 3/8-16
29	138057	Knob Inf. 3/8-16
30	150233	Trunnion Infin. Height
31	140302	Bearing, Pivot, Lift, Special
32	73540600	Nut, Crownlock 3/8-24
49	145212	Nut Flange Lock
50	110452X	Nut Push Phos & Oil

NOTE: All component dimensions given in U.S. inches
1 inch = 25.4 mm

REPAIR PARTS

TRACTOR -- MODEL NUMBER 917.258331

MOWER DECK



REPAIR PARTS

TRACTOR - - MODEL NUMBER 917.258331

MOWER DECK

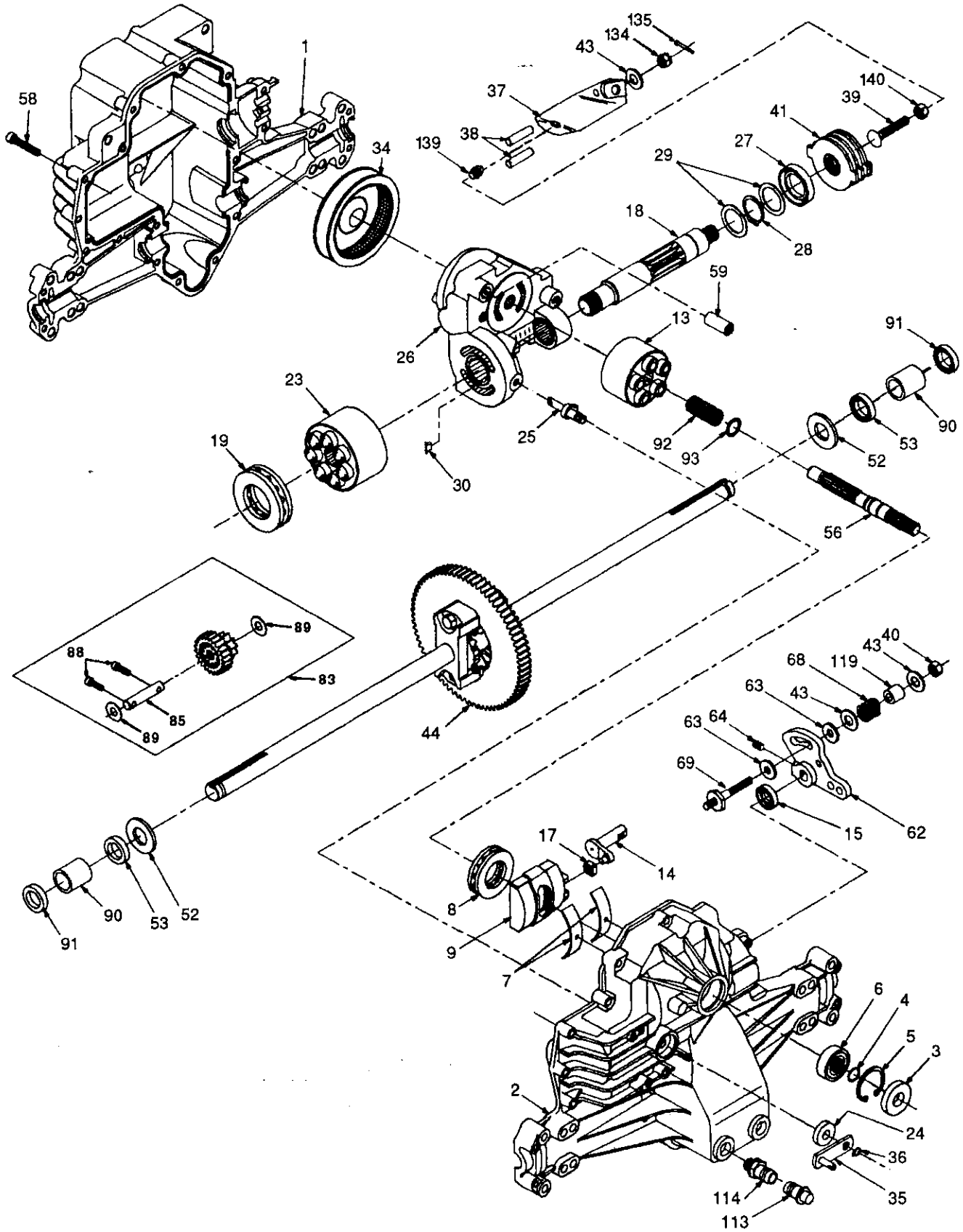
KEY NO.	PART NO.	DESCRIPTION	KEY NO.	PART NO.	DESCRIPTION
1	164961	Mower Housing	58	140086	Spring, Torsion Brakes
2	STD533107	Bolt	59	141043	Guard, TUV Idler
3	138017	Bracket Assembly, Sway Bar, Front	67	162113	Knob Custom Oval
4	138440	Bracket Assembly, Sway Bar	68	144200	V-Belt
5	STD624008	Retainer Spring	71	142427	Rod, Clutch, Primary, with Nibs
6	130832	Arm, Suspension, Rear	72	131870	Spring, Return
8	850857	Bolt, Hex 3/8-24 x 1.25 Grade 8	73	127847	Arm, Clutch, Secondary
9	STD551137	Washer, Lock	74	121748X	Washer 25/32 x 1-5/8 x 16 Gauge
10	140296	Washer, Hardened	75	12000029	Ring, Klip
11	134149	Blade, Mulching	76	128903	Bolt, Shoulder 3/8-16 UNC x 1.44
12	129895	Bearing, Ball	77	127845	Keeper, Spring
13	137645	Shaft Assembly, Mandrel, Vented (Includes Key Number 6)	78	160570	Lever Asm. Clutch Pri Plm STLT
14	128774	Housing, Mandrel, Vented	79	127498	Bushing, Large, Brass
15	110485X	Bearing, Ball, Mandrel	80	153701	Spring, Mower Clutch
16	140329	Stripper, Vented Mower Deck	81	73350600	Nut, Hex Jam 3/8-16 Unc
17	72110610	Bolt, Carriage 3/8-16 x 1-1/4	82	142028	Trunnion, Adj.
18	72140505	Bolt, Carriage 5/16-18 x 5/8	83	120958X	Washer Sintered
19	132827	Bolt, Shoulder	84	156084	Keeper, Belt
20	159770	Baffle, Vortex	85	72140620	Bolt, Carriage 3/8-16 x 2-1/2
21	STD541431	Nut Crownlock 5/16-18 UNC	92	STD541437	Nut
22	134753	Stiffener Bracket	101	136420	Mulcher Cover
23	131267	Bracket, Deflector	102	71161010	Screw
24	105304X	Cap, Sleeve	103	19061216	Washer #10
25	123713X	Spring, Torsion, Deflector	104	STD551110	Washer, Lock
26	110452X	Nut, Push	105	160793	Latch Assembly, Bagger
27	130968	Shield, Deflector	106	2029J	Nut, Weld
28	19111016	Washer 11/32 x 5/8 x 16 Gauge	111	155197	Bracket, Gauge, Wheel L.H.
29	131491	Rod, Hinge	112	155198	Bracket, Gauge, Wheel R.H.
30	157722	Screw Thd Rolling Washer Head	113	17490512	Screw Thdrol 5/16-18 x 3/4
31	129963	Washer, Spacer	114	73510500	Nut, Hex, Keps 5/16-18 UNC
32	153535	Pulley, Mandrel	115	72110504	Bolt, Carriage 5/16 UNC x 1/2
33	137266	Nut, Toplock, Flanged	116	137644	Bolt, Shoulder
34	STD533717	Bolt	117	133957	Wheel, Gauge
35	133835	Fastner, Christmas Tree	118	73930600	Nut, Centerlock 3/8-16
36	131494	Pulley, Idler, Flat	119	19121414	Washer 3/8 x 7/8 x 14 Gauge
37	19131316	Washer 13/32 x 13/16 x 16 Gauge	121	143723	Bracket
40	STD541437	Nut Crownlock 3/8-16 UNC	128	153390	Washer Felt
41	133551	Rod, Pivot, with Nibs	129	19131312	Washer 13/32 x 13/16 x 12 Ga.
43	140083	Rod, Clutch, Secondary, with Nibs	130	STD523710	Bolt, Fin Hex 3/8-16 UNC x 1 Gr. 5
44	140088	Guard, Mandrel, L.H.	131	STD533710	Bolt, RDHD SQNK 3/8-16 UNC x 1
45	STD624003	Retainer	132	19132203	Washer 13/32 x 1-3/8 x 3 Ga.
46	137729	Screw, Thd. Roll 1/4-20 x 5/8	141	6266H	Washer Thrust .75 x 1.230
48	133944	Washer, Hardened	--	130794	Mandrel Assembly (Includes Key Numbers 8-10, 12-15, 31 and 32)
49	155066	Roller Assembly, Cam Follower	--	164963	Mower Deck, Complete (Standard Deck, Order Separately Mulcher Plate and Gauge Wheel Components, Key Nos. 101-106 and 111-121)
50	131340	Bolt, Shoulder #10-24 Grade 5			
51	STD541410	Locknut			
52	139888	Bolt, Shoulder 5/16-18 UNC			
53	131845	Arm Assembly, Pad, Brake			
54	133943	Washer, Hardened			
55	155046	Arm, Idler			
56	122052X	Spacer, Retainer			

NOTE: All component dimensions given in U.S. inches
1 inch = 25.4 mm

REPAIR PARTS

TRACTOR - - MODEL NUMBER 917.258331

HYDRO GEAR TRANSAXLE - MODEL NUMBER 319-0650



REPAIR PARTS

TRACTOR - - MODEL NUMBER 917.258331

HYDRO GEAR TRANSAXLE - MODEL NUMBER 319-0650

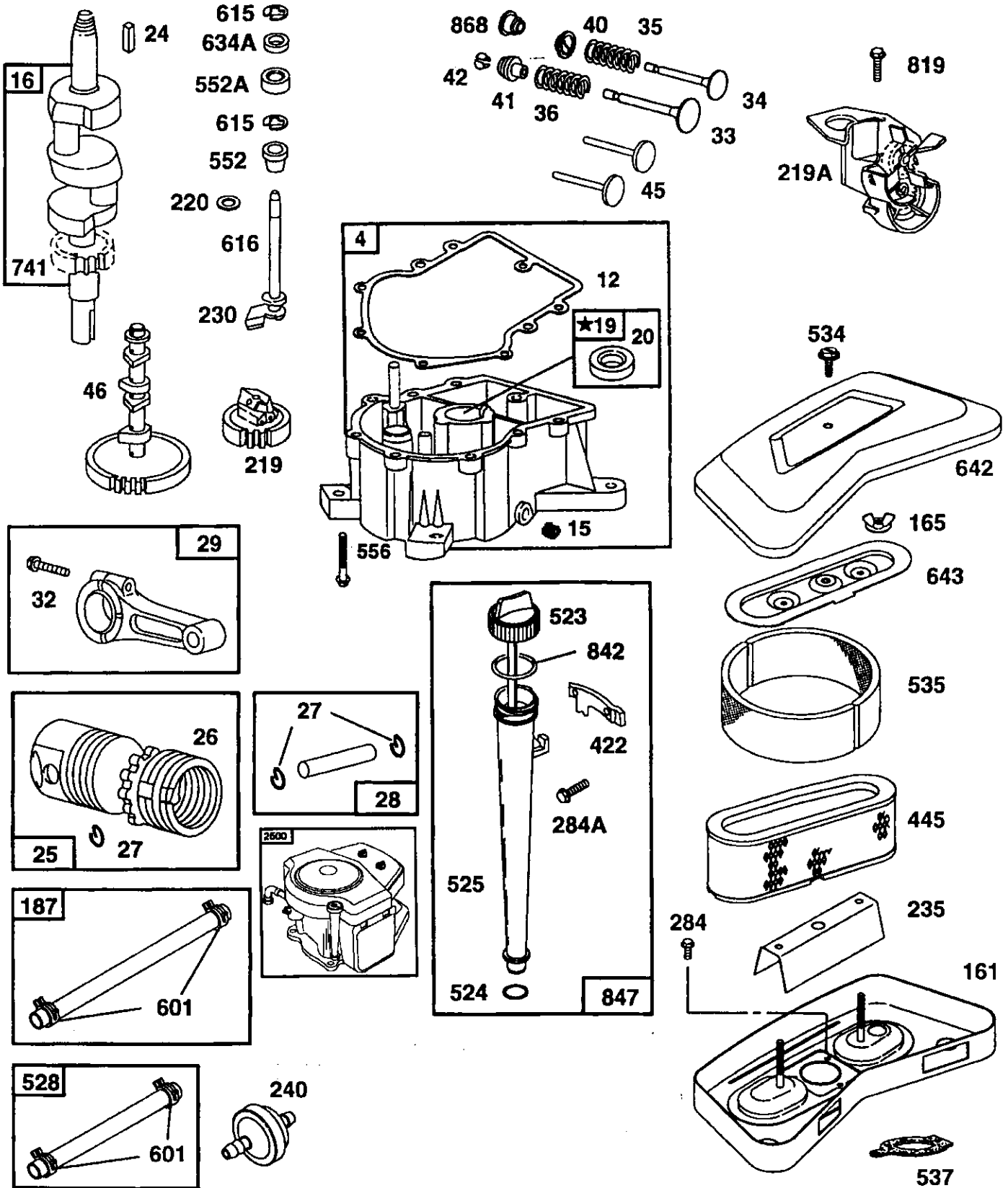
KEY PART NO. NO.	DESCRIPTION	KEY PART NO. NO.	DESCRIPTION
1 142930	Housing, Lower	43 142884	Washer 7/16 x 7/8 x .060
2 142931	Assembly, Upper Housing	44 150829	Differential Assembly
3 142932	Seal, Lip	52 142991	Washer 3/4 x 1.5 x .13
4 142928	Ring, Wire Retaining	53 142961	Seal .75 x 1.25 x .250
5 142933	Ring, Retaining	56 142963	Shaft, Input
6 142934	Bearing, Shaft Ball	58 142964	Bolt 1/4-20 x 1.38
7 142935	Bearing, Cradle	59 142965	Pin .5 OD x .43 ID x .750
8 150771	Bearing, Thrust 30 x 52 x 13	62 142966	Arm, Control
9 142937	Swashplate, Variable	63 142967	Puck, Dampener
13 142938	Block, Cylinder Assembly	64 142920	Set Screw
14 142939	Arm, Trunnion	68 142969	Spring
15 142940	Seal, Lip	69 144610	Stud 5/16-24
17 142941	Guide, Slot	83 142971	Jackshaft Assembly
18 150772	Shaft, Motor	85 150806	Jackshaft
19 150773	Bearing, Thrust 42 x 68 x 16	88 142973	Screw, Cap
23 142944	Block, Cylinder Assembly	89 142974	Washer 7/16 x 1 x 1/2
24 142945	Seal, Lip 10 x 25 x 7	90 142975	Sleeve Bearing
25 142946	Actuator, Bypass	91 142976	Seal, Wiper
26 150774	Center Section Assembly Kit	92 142977	Spring, Block
27 142948	Seal, Lip 26 x 42 x 8	93 142978	Washer, Block Thrust
28 142949	Ring, Retaining	113 142917	Cap, Vent Assembly
29 142950	Washer 26 x 35 x 1	114 142918	Fitting, O-Ring Assembly
30 150787	Plate, Bypass	119 142980	Spacer
34 142951	Oil Filter Element	134 144607	Nut, Castle 5/16-24
35 142952	Arm, Bypass	135 144608	Pin, Cotter
36 142953	Ring, Retaining	139 150775	Spring, Compression
37 142954	Arm, Actuating	140 150776	Nut, Hex 5/16-24
38 142955	Pin, Actuating		
39 150777	Bolt 5/16-24 x 1-3/4		
40 150778	Locknut, Hex 5/16-24 UNJC		
41 142958	Brake Rotor/Stator Kit		

NOTE: All component dimensions given in U.S. inches
1 inch = 25.4 mm

REPAIR PARTS

TRACTOR -- MODEL NUMBER 917.258331

BRIGGS & STRATTON ENGINE - MODEL NUMBER 42E707, TYPE NUMBER 2631-E1



REPAIR PARTS

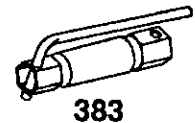
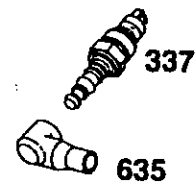
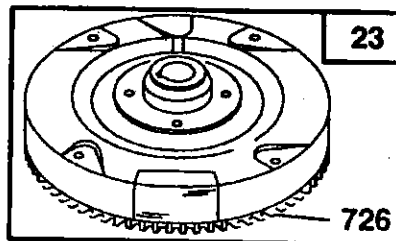
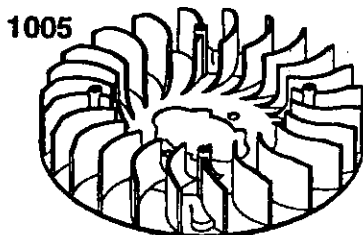
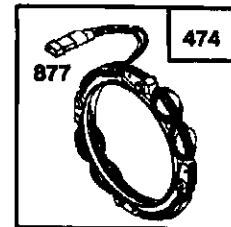
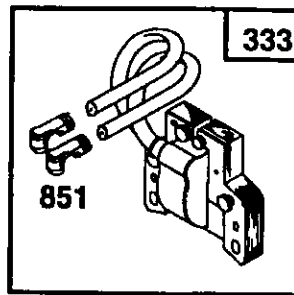
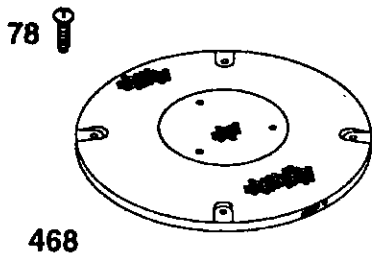
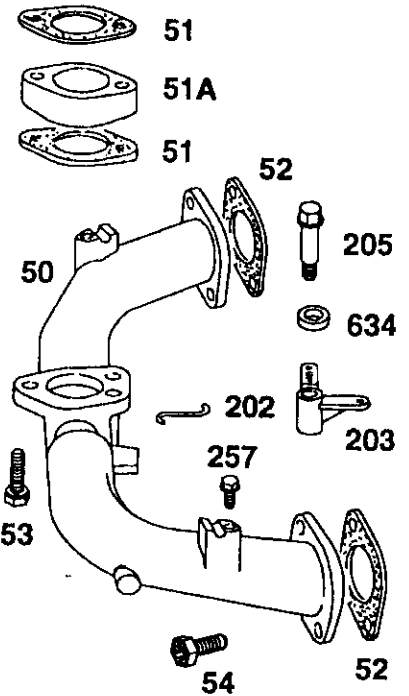
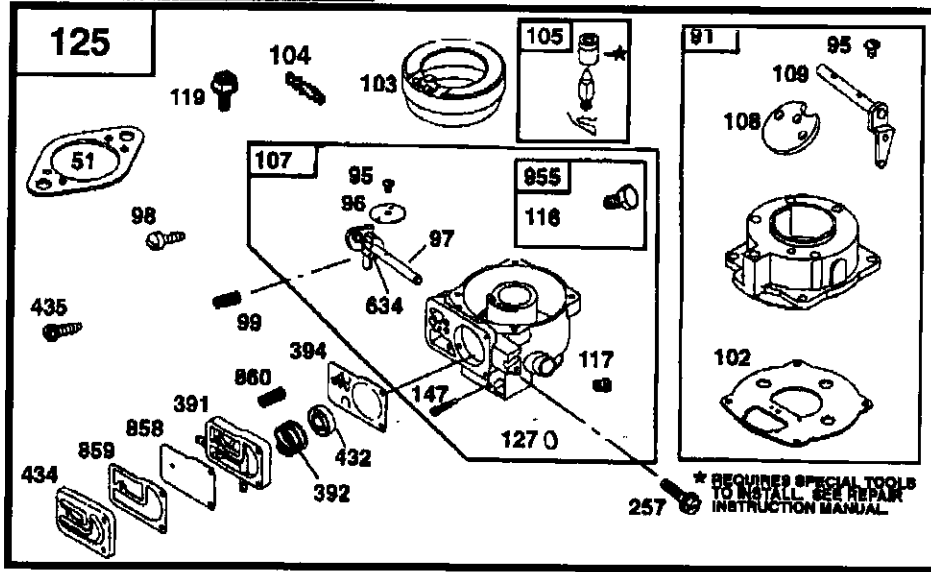
TRACTOR - - MODEL NUMBER 917.258331

BRIGGS & STRATTON ENGINE - MODEL NUMBER 42E707, TYPE NUMBER 2631-E1

358 GASKET SET

861 PUMP REPAIR KIT

121 CARBURETOR KIT



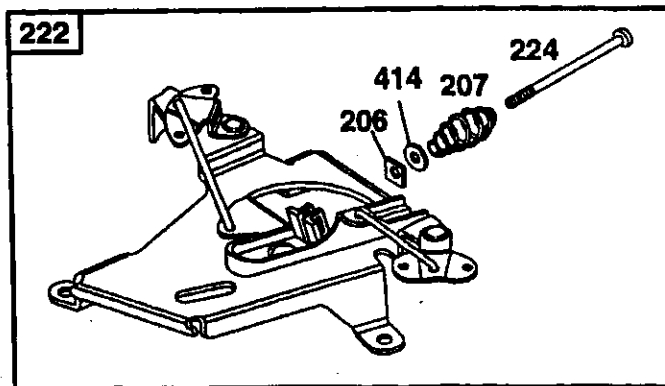
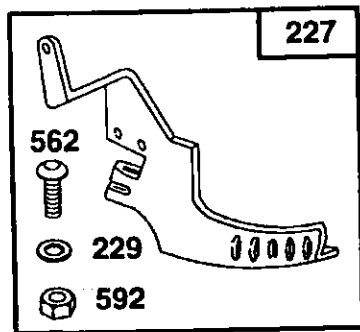
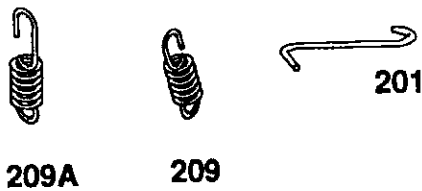
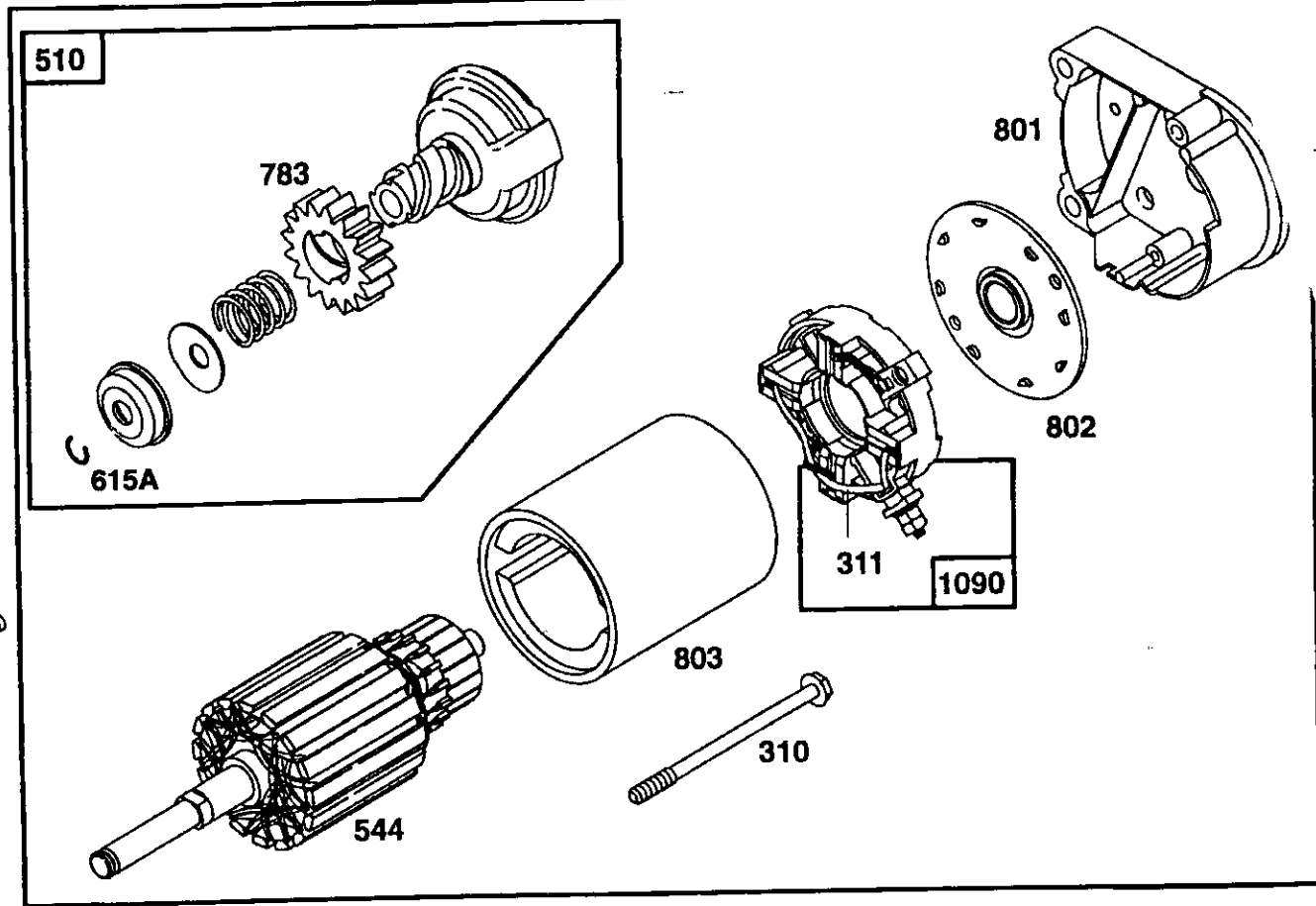
R

E

REPAIR PARTS

TRACTOR -- MODEL NUMBER 917.258331

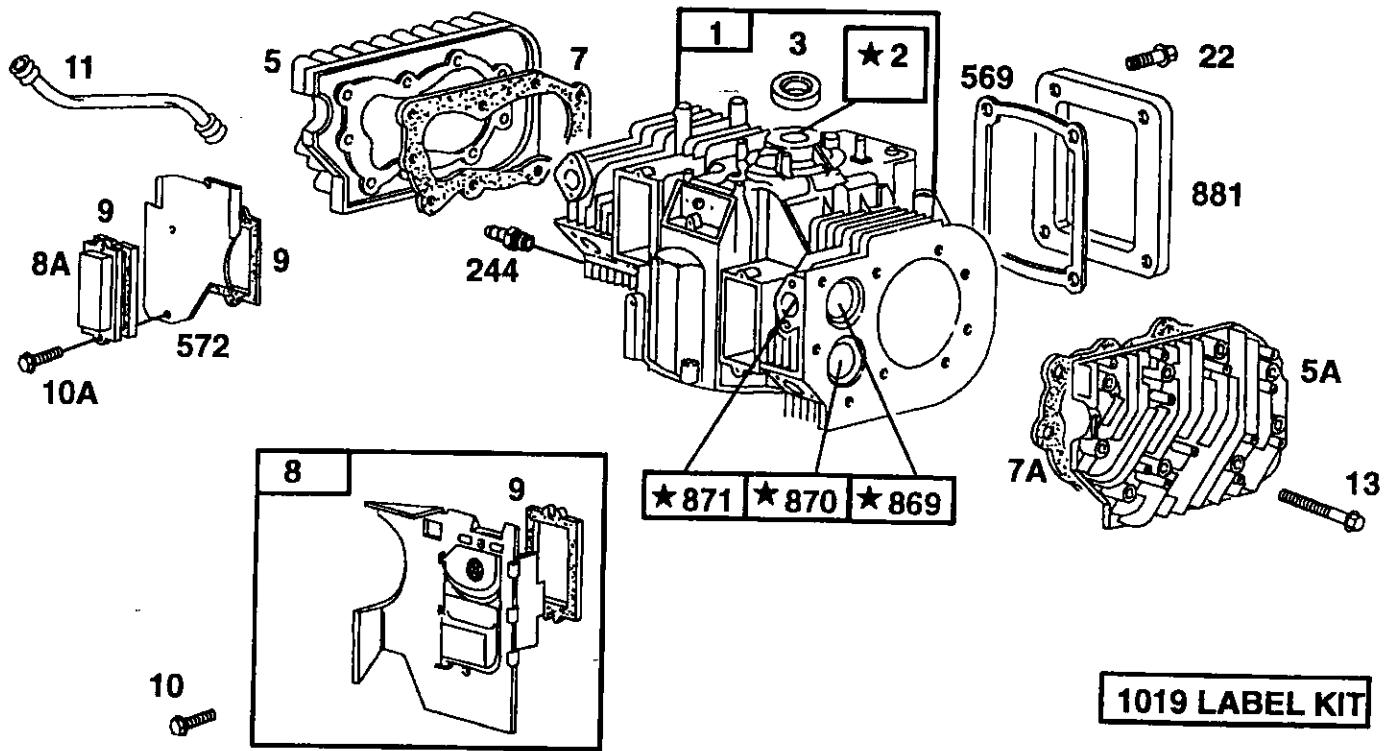
BRIGGS & STRATTON ENGINE - MODEL NUMBER 42E707, TYPE NUMBER 2631-E1



REPAIR PARTS

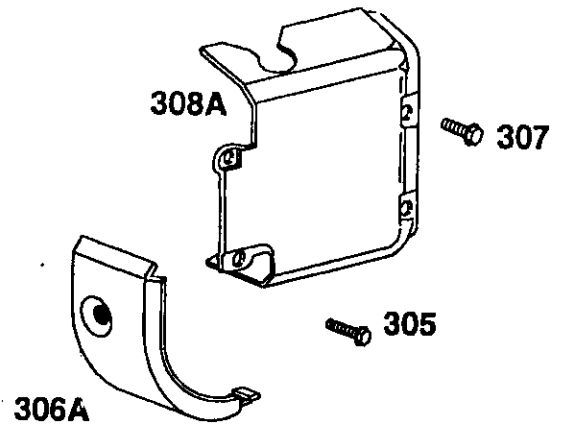
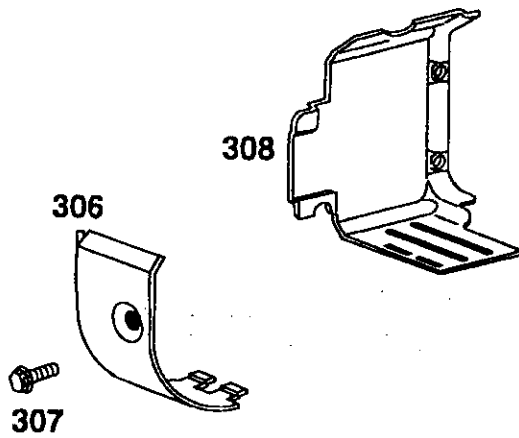
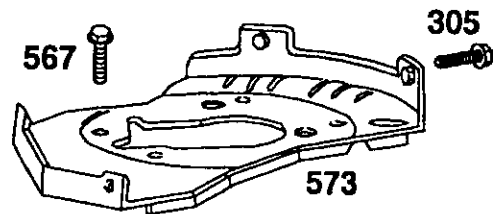
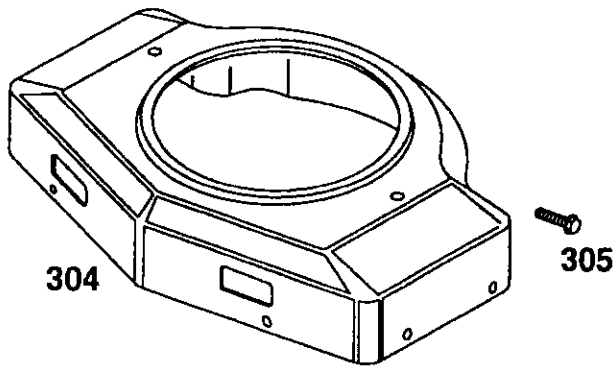
TRACTOR - - MODEL NUMBER 917.258331

BRIGGS & STRATTON ENGINE - MODEL NUMBER 42E707, TYPE NUMBER 2631-E1



1019 LABEL KIT

★ REQUIRES SPECIAL TOOLS TO INSTALL. SEE REPAIR INSTRUCTION MANUAL.



REPAIR PARTS

TRACTOR - - MODEL NUMBER 917.258331

BRIGGS & STRATTON ENGINE - MODEL NUMBER 42E707, TYPE NUMBER 2631-E1

KEY PART NO.	NO.	DESCRIPTION	KEY PART NO.	NO.	DESCRIPTION
1	497074	Cylinder Assembly	54	93208	Screw, Phillips
2	399265	Bushing	75	222511	Washer, Spring
3	391086	* Seal, Oil	78	95039	Screw, Hex
4	493304	Sump, Engine	91	499281	Body Assembly, Upper
5	493457	Head, Cylinder #1	95	93499	Screw, Sems
5A	493458	Head, Cylinder #2	96	221939	Valve, Throttle
7	271867	* Gasket, Cylinder Head #1	97	499172	Shaft, Throttle
7A	271868	* Gasket, Cylinder Head #2	98	91920	Screw, Fillister Head
8	495754	Breather Assembly #1	99	26157	Spring, Throttle Adjust
8A	222892	Cover, Breather Cylinder #2 (Used Only on Key #572, Air Baffle with Holes for Mounting)	102	271607	** Gasket, Carburetor Body
9	27803	* Gasket, Breather	103	298514	Float, Carburetor
10	94382	Screw, Sems	104	231435	** Pin, Float Hinge
10A	94830	Screw, Sems	105	394682	** Valve, Needle
11	280225	Tube, Breather	107	499655	Body Assembly, Lower
12	273208	* Gasket, Crankcase, .015" Thick	108	225373	Valve, Choke
	271188	* Gasket, Crankcase, .005" Thick	109	392673	Shaft, Choke
	271189	* Gasket, Crankcase, .009" Thick	116	280474	* O-Ring
13	94565	Screw, Cylinder Head	117	232018	Jet, Needle Valve, Fixed
15	94239	Plug, Oil Drain		232022	Jet, Needle Valve, Fixed, High Altitude
16	394028	Crankshaft	119	94152	Screw, Hex Head
	94196	Timing Gear Key	121	491539	Carburetor Kit
19	399264	Bushing	125	19306	Carburetor
20	291675	* Seal, Oil	127	223472	** Plug, Welch
22	94724	Screw, Sems	161	496599	Base, Air Cleaner
23	491180	Flywheel	165	94289	Nut, Wing
24	222698	Key, Flywheel	187	299146	Line, Fuel, 28" Long (Cut to Suit)
25	498584	Piston Assembly, Standard Size	188	94627	Screw
	498585	Piston Assembly, .010" Oversize	201	262683	Link
	498586	Piston Assembly, .020" Oversize	202	262684	Link
	498587	Piston Assembly, .030" Oversize	203	280997	Crank, Bell
26	394959	Ring Set, Standard Size	205	93971	Screw, Hex Head
	394960	Ring Set, .010" Oversize	206	94298	Nut
	394961	Ring Set, .020" Oversize	207	262337	Spring, Control, Rod
	394962	Ring Set, .030" Oversize	209	262352	Spring, Governor
27	263129	Lock, Piston Pin	209A	261563	Spring, Governor Idle
28	498319	Pin, Piston, Standard Size	219	394348	Gear, Governor
	391286	Pin, Piston, .005" Oversize	219A	393415	Oil Slinger
29	394306	Rod, Connecting, Standard Size	220	222773	Washer, Thrust
	397158	Rod, Connecting, .020" Undersize	222	491282	Bracket, Control
32	94671	Screw, Connecting Rod	224	94297	Screw, Torx®
33	390420	Valve, Exhaust			* Included in Gasket Set (495868)
34	261528	Valve, Intake			** Included in Carburetor Kit (491539)
35	65906	Spring, Valve, Intake			*** Included in Carburetor Kit (491539), and Pump Repair Kit (393397)
36	26828	Spring, Valve, Exhaust			**** Included in Gasket Set (495868), and Carburetor Kit (491539)
40	221596	Retainer, Valve, Intake			
41	292260	Retainer, Valve, Exhaust			
42	494553	Keeper, Valve			
45	261368	Tappet, Valve			
46	214484	Gear, Cam			
50	213290	Manifold, Intake			
51	271412	**** Gasket, Carburetor Mounting			
51A	281412	Spacer, Carburetor			
52	270884	* Gasket, Intake Manifold Mounting			
53	93970	Screw, Hex Head, Carburetor to Manifold			

NOTE: All component dimensions given in U.S. inches
1 inch = 25.4 mm

REPAIR PARTS

TRACTOR - - MODEL NUMBER 917.258331

BRIGGS & STRATTON ENGINE - MODEL NUMBER 42E707, TYPE NUMBER 2631-E1

KEY PART NO. NO.	DESCRIPTION	KEY PART NO. NO.	DESCRIPTION
227 491297	Lever Assembly, Governor	556 93585	Screw, Hex Head
229 62199	Washer	562 93853	Bolt, Governor Lever
230 223882	Washer, Governor Crank, Inside	567 94811	Screw, Hex Head, Back Plate to Cylinder
235 224995	Shield, Fuel Spray	569 272645	* Gasket, Base
240 394358	Filter, Fuel	572 224816	Baffle, Air, Cylinder #2
244 230318	Connector, Fuel Line	573 491304	Plate, Back
257 93897	Screw, Sems	592 92278	Nut, Hex.
284 94674	Screw, Hex Head	601 93053	Clamp, Hose
284A 94882	Screw, Hex Head	615 94296	Retainer, E-Ring
304 495469	Housing, Blower, Red	615A 263080	Retainer
305 94786	Screw, Sems	616 491530	Crank, Governor
306 222846	Shield, Cylinder	634 271013	** Washer, Throttle Shaft
306A 223734	Shield, Cylinder	634A 491287	* Seal, Governor Shaft
307 94930	Screw, Self-Tapping	635 66538	Boot, Spark Plug
308 224774	Cover, Air Guide	642 225008	Cover, Air Cleaner
308A 224775	Cover, Air Guide	643 496700	Plate, Air Cleaner
309 497596	Motor, Starter	653 93585	Screw, Hex Head
310 94003	Bolt, Thru	726 391362	Gear, Ring (Includes Mounting Parts)
311 497608	Brush Set	741 262989	Gear, Timing
332 230674	Nut, Hex	783 280104	Gear, Starter
333 394891	Armature, Magneto	801 394860	Cap, Drive
334 94731	Screw, Sems	802 497607	Cap, End
337 802592	Plug, Spark	803 497604	Housing, Starter
356 494705	Wire, Stop	819 94675	Screw, Hex Head
358 495868	Gasket Set	842 270920	* Seal, Cap
363 19203	Flywheel Puller	847 495715	Tube Assembly, Oil
383 89838	Wrench, Spark Plug	851 493880	Terminal, Cable
391 280197	Body, Pump	858 270989	*** Diaphragm, Carburetor
392 261395	*** Spring, Diaphragm	859 271025	*** Gasket, Pump
394 272638	*** Diaphragm, Carburetor	860 261358	*** Spring, Diaphragm
414 220680	Washer	861 393397	Repair Kit, Pump
422 222875	Bracket, Oil Fill	868 497212	Seal, Valve
432 221377	*** Cap, Spring	869 261463	Seat, Valve, Intake
434 223688	Cover, Diaphragm	870 213316	Seat, Valve, Exhaust
435 93829	Screw, Diaphragm Cover	871 261961	Bushing, Guide (Exhaust Only)
445 394019	Filter, Air	231218	Bushing, Guide (Intake, Brass)
468 497908	Screen, Rotating	877 393456	Wire, Alternator
474 393474	Alternator	881 495901	Plate, Cover
482 93621	Screw,	955 397882	Plug and Seal, Solenoid
510 497606	Drive, Starter	1005 281053	Fan, Flywheel
523 494947	Cap, Oil Fill	1006 224901	Retainer, Fan
524 271157	* Seal, Fill Tube	1019 496726	Label Kit
525 495348	Tube, Oil Fill (Includes Seals)	1090 97605	Retainer, Brush
528 393815	Hose, Vacuum	2500 42E707-2631	Replacement Engine
534 94823	Screw, Air Cleaner	— — 498543	Replacement Shortblock
535 272490	Filter, Air		
537 271411	**** Gasket, Air Cleaner		
544 497603	Armature, Starter		
552 262332	Lower Bushing, Governor		
552A 262331	Upper Bushing, Governor		

- * Included in Gasket Set (495868)
- ** Included in Carburetor Kit (491539)
- *** Included in Carburetor Kit (491539), and Pump Repair Kit (393397)
- **** Included in Gasket Set (495868), and Carburetor Kit (491539)

NOTE: All component dimensions given in U.S. inches
1 inch = 25.4 mm

SERVICE NOTES
