



REPAIR PARTS MANUAL
MODEL NO. 258360
Lawn Tractor

20/46"

CRAFTSMAN®

HOW TO USE THIS MANUAL

This manual is designed to provide the customer with a means to identify the parts on his/her tractor when ordering repair parts. The illustrations may or may not represent the actual assemblies; therefore, it is not recommended to use this manual as a guide to assemble or disassemble the tractor. Some hardware and parts are drawn larger in order to more readily identify them.

Each tractor has its own model number.

The model number for your tractor can be found on the fender under the seat.

When ordering parts, always give the following information:

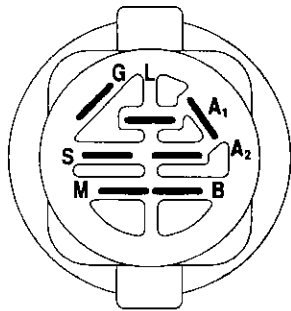
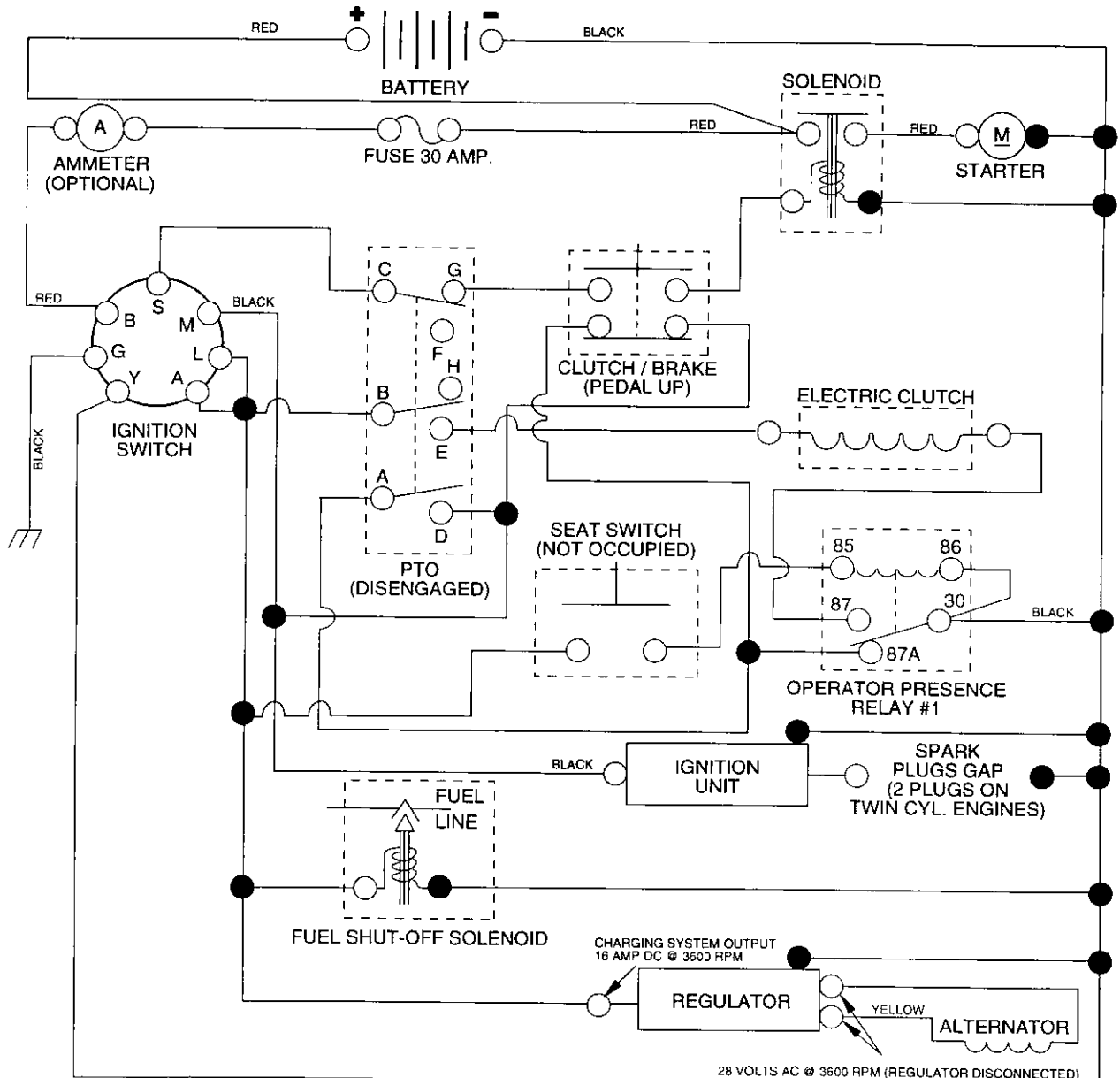
- Product - "Tractor"
- Model Number - "258360"
- Part Number
- Part Description

TABLE OF CONTENTS

SCHEMATIC	3
ELECTRICAL	4-5
CHASSIS	6-7
DRIVE	8-9
STEERING WHEEL	10-11
SEAT	12
DECALS	13
ENGINE	14-15
MOWER LIFT LEVER	16-17
MOWER DECK	18-19
TRANSAXLE	20-22

TRACTOR - - MODEL NUMBER 917.258360

SCHEMATIC



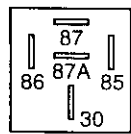
IGNITION SWITCH

POSITION	CIRCUIT	"MAKE"
OFF	G + M + L	NONE
RUN/LIGHT	B + L	A + Y
RUN	B + L	NONE
START	B + L + S	NONE

NOTE
YOUR TRACTOR IS EQUIPPED WITH A SPECIAL ALTERNATOR SYSTEM. THE LIGHTS ARE NOT CONNECTED TO THE BATTERY, BUT HAVE THEIR OWN ELECTRICAL SOURCE. BECAUSE OF THIS, THE BRIGHTNESS OF THE LIGHTS WILL CHANGE WITH ENGINE SPEED. AT IDLE THE LIGHTS WILL DIM. AS THE ENGINE IS SPEEDED UP, THE LIGHTS WILL BECOME THEIR BRIGHTEST.

WIRING INSULATED CLIPS

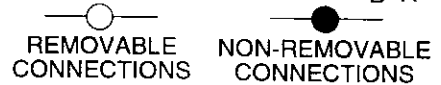
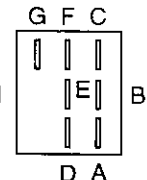
NOTE: IF WIRING INSULATED CLIPS WERE REMOVED FOR SERVICING OF UNIT, THEY SHOULD BE REPLACED TO PROPERLY SECURE YOUR WIRING.



RELAY

PTO SWITCH

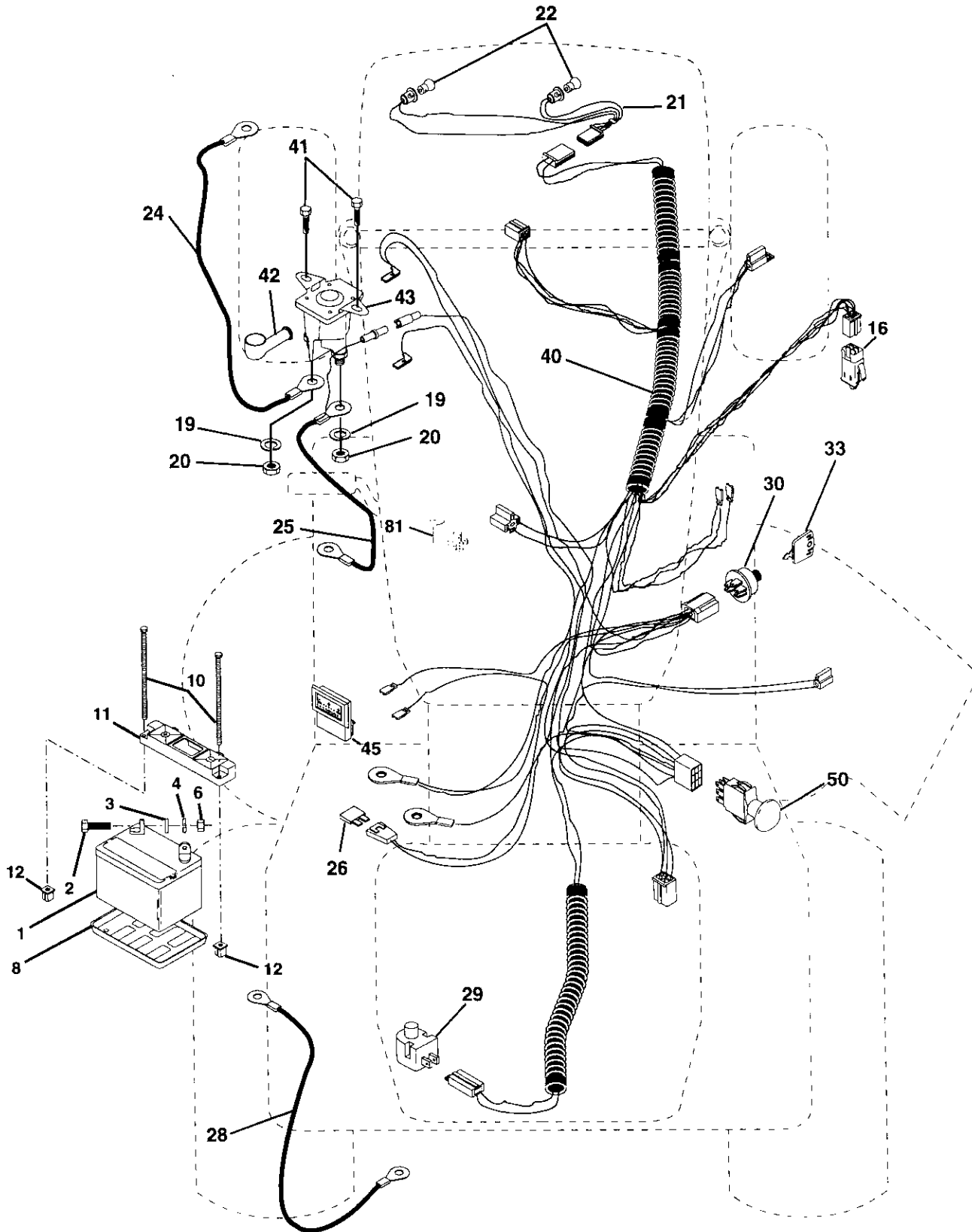
POSITION	CIRCUIT
OFF	C + G, B + H
ON	C + F, B + E, A + D



REPAIR PARTS

TRACTOR -- MODEL NUMBER 917.258360

ELECTRICAL



REPAIR PARTS

TRACTOR - - MODEL NUMBER 917.258360

ELECTRICAL

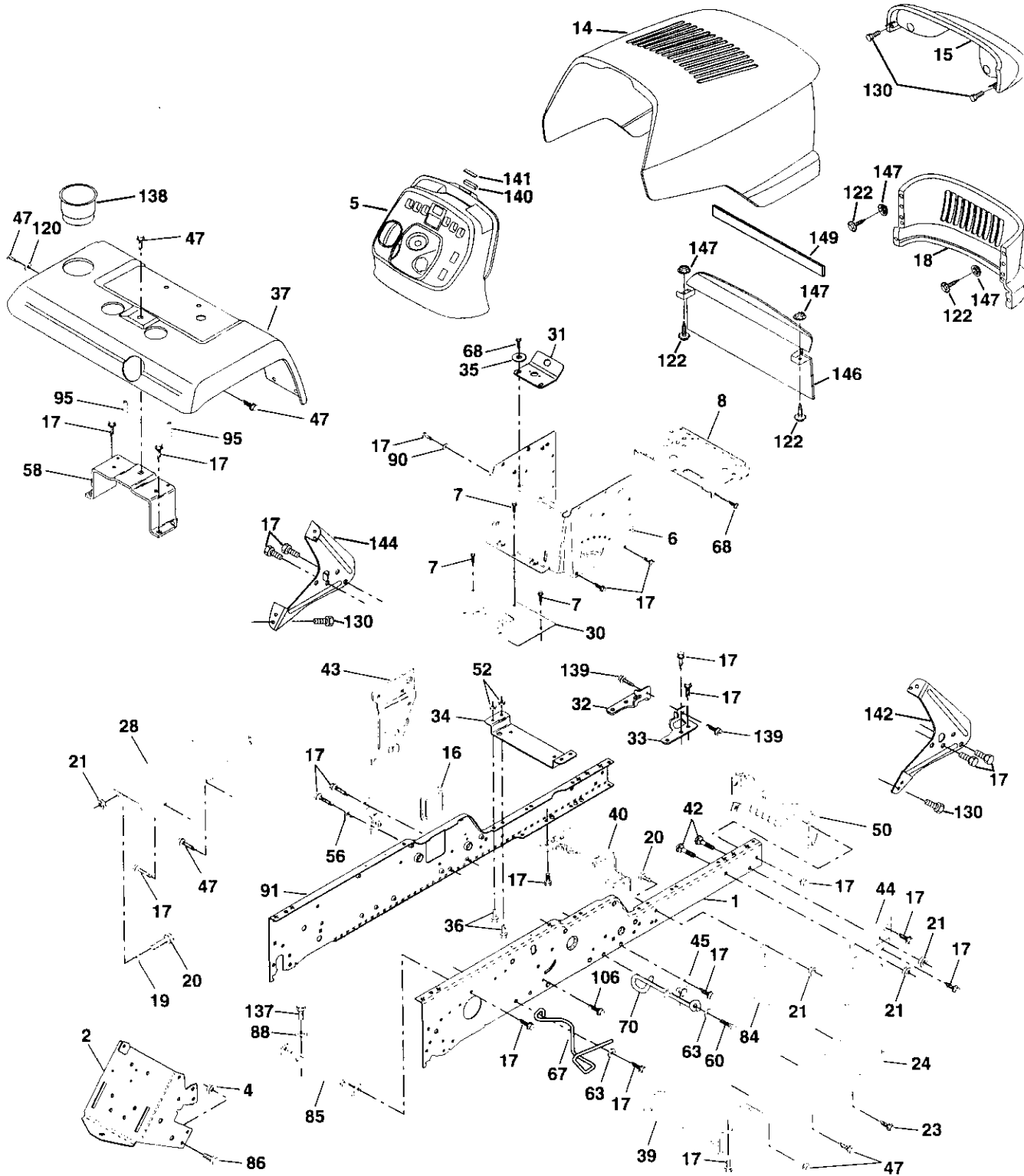
KEY NO.	PART NO.	DESCRIPTION
1	144926	Battery
2	74760412	Bolt, Hex Head 1/4-20 x 3/4
3	STD551125	Washer, Lock 1/4
4	STD551025	Washer 9/32 x 5/8 x 16 Ga.
6	STD541025	Nut, Fin, Hex 1/4-20
8	7603J	Tray, Battery
10	145211	Bolt, btr, Frt 1/4-20 x 7.5 Zinc
11	150109	Hold down Battery Front Mount
12	145769	Nut, Push, Nylon 1/4"
16	153664	Switch, Interlock Push-In
20	151785	Harness socket light w/4152J
21	161785	Harness, Headlight
22	4152J	Bulb, Light
24	4206J	Cable, Battery
25	146149	Cable, Battery
26	108824X	Fuse
28	4207J	Cable, Ground
29	160784	Switch, Plunger Normal OP Olive
30	163968	Switch, Ign
33	140403X	Key
40	164417	Harness, Ignition
41	17720408	Screw 1/4-20 x 1/2
42	131563	Cover, Terminal
43	145673	Solenoid
45	122822X	Ammeter
50	145693	Switch, PTO
70	164767	Harness, Engine
81	109748X	Relay Asm.

NOTE: All component dimensions given in U.S. inches
1 inch = 25.4 mm

REPAIR PARTS

TRACTOR -- MODEL NUMBER 917.258360

CHASSIS AND ENCLOSURES



REPAIR PARTS

TRACTOR - - MODEL NUMBER 917.258360

CHASSIS AND ENCLOSURES

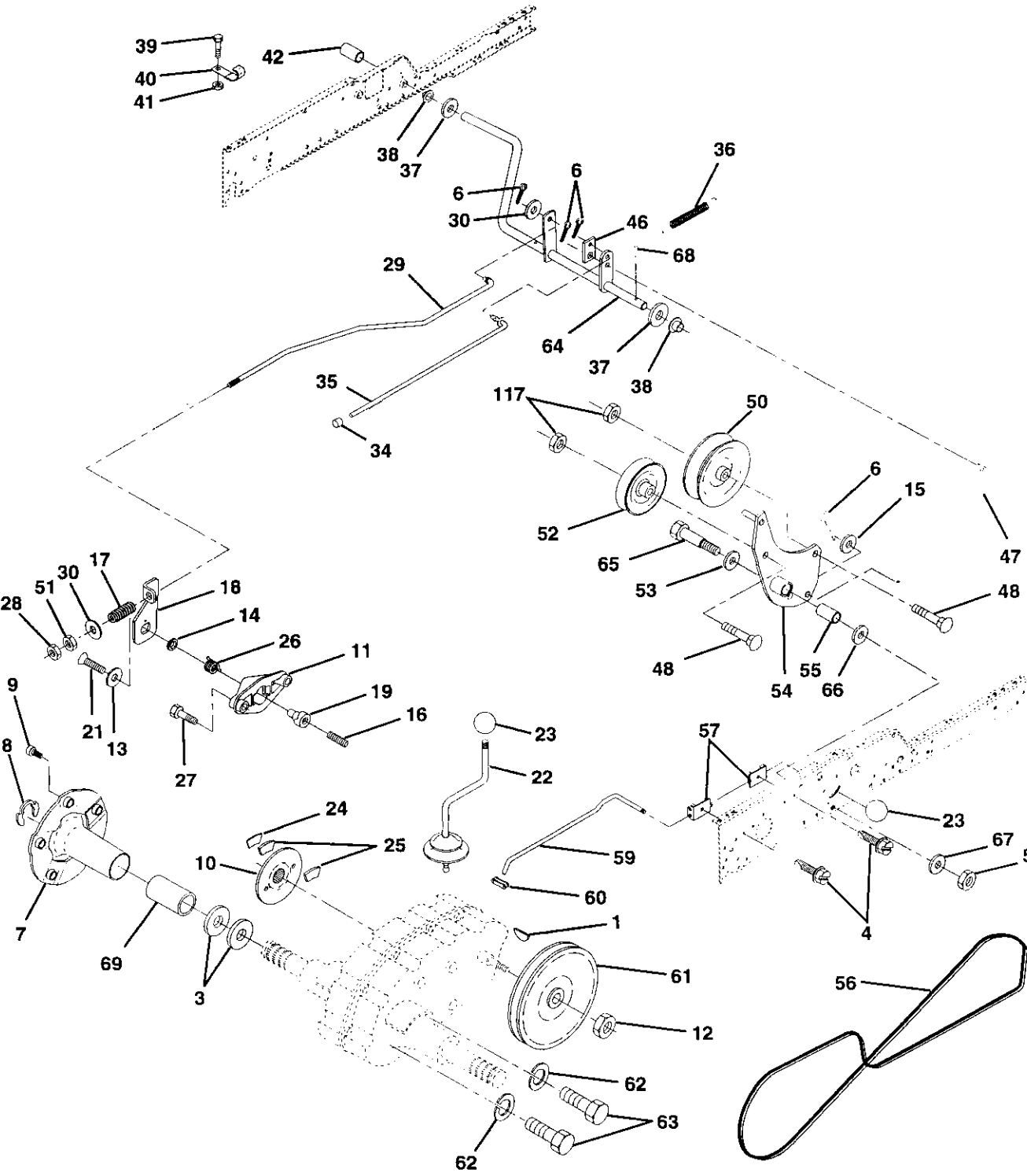
KEY NO.	PART NO.	DESCRIPTION	KEY NO.	PART NO.	DESCRIPTION
1	150253	Rail, Frame RH	50	152728	Bracket, Chassis Front
2	140506	Drawbar, Gt	52	STD541431	Nut, Crownlock 5/16-18
4	73800700	Nut, Lock Hex 7/16 Unc	56	154914	Bracket Asm., Susp Chassis Lh
5	163976	Dash, YTGT 2Cyl	58	137113	Bracket Asm., Fender
6	157882	Dash Asm., Lower	60	17490620	Screw Thdrol 3/8-16 x 1-1/4
7	17720408	Screw, Thd Cut 1/4-20 x 1/2	63	19131614	Washer 13/32 x 1 x 14 Ga.
8	145166	Support, Battery	67	156973	Guide, Belt Gear Drive
14	161023X558	Hood Asm., Pnt	68	17490508	Screw, Thd 5/16-18 x 1/2
15	160568	Lens, Asm Headlight Bar	70	137159	Guide, Belt Mid Span
16	121794X	Cover, Access	84	142992	Stop, Over Center Mower
17	17490612	Screw, Thdrol 3/8-16 x 3/4	85	144911	Bracket, Support Transaxle
18	160564X558	Grille	86	74760716	Bolt, Fin Hex 7/16-14 Unc x 1
19	19131312	Washer 13/32 x 13/16 x 12 Ga.	88	STD551143	Washer, Lock hvy Slcl spr 7/16
20	STD523710	Bolt, Fin Hex 3/8-16 x 1	90	STD551237	Washer, Lock External Tooth 3/8
21	STD541437	Nut, Crownlock 3/8-16 Unc	91	156586	Rail, Frame Lh
23	17490616	Screw Thdrol 3/8-16 x 1 TY-TT	95	105531X	Push Nut, Nylon
24	145243X558	Footrest, RH	106	138776	Bolt 5/16-18 Type TT
28	145244X558	Footrest, LH	120	19131616	Washer 13/32 x 1 x 16 Ga.
30	145051X014	Saddle, Silkscr VGT	122	161464	Screw Hex Wsh 8-18 x 7/8
31	161419	Bracket Supt 1-pc VGT Steering	130	17521312	Screw SLTD Hex Hd w/PLN Washer
32	161327	Bracket Pivot Chassis Lh	137	74780716	Bolt Fin Hex 7/16-14 x 1 Gr. 5
33	161326	Bracket Pivot Chassis Rh	138	163975	Cupholder YTGT
34	142131	Bracket, Engine Support Rear	139	161330	Bolt Shoulder 5/16 - 18 TT
35	19111116	Washer 11/32 x 11/16 x 16 Ga.	140	163806	Magnet YTGT
36	74780512	Bolt, Fin Hex 5/16-18 x 3/4	141	163805	Striker Plate YTGT
37	163981X558	Fender, Pnt.	142	161897	Bracket Dash Rh
39	136961	Bracket, Axle Front	144	161900	Bracket Dash Lh
40	156111	Bracket, Support Axle/Engine	146	161576	Baffle
42	72140608	Bolt, Carriage 3/8-16 x 1	147	162967	Fastner Nutpal
43	136939	Bracket, Spnsn Front Lh	149	164679	Pinch Welt Hood
44	136940	Bracket, Spnsn Front Rh			
45	154913	Bracket Asm., Susp Chassis Rh			
47	17490608	Screw Thdrol 3/8-16 x 1/2			

NOTE: All component dimensions given in U.S. inches
1 inch = 25.4 mm

REPAIR PARTS

TRACTOR - - MODEL NUMBER 917.258360

DRIVE



REPAIR PARTS

TRACTOR - - MODEL NUMBER 917.258360

DRIVE

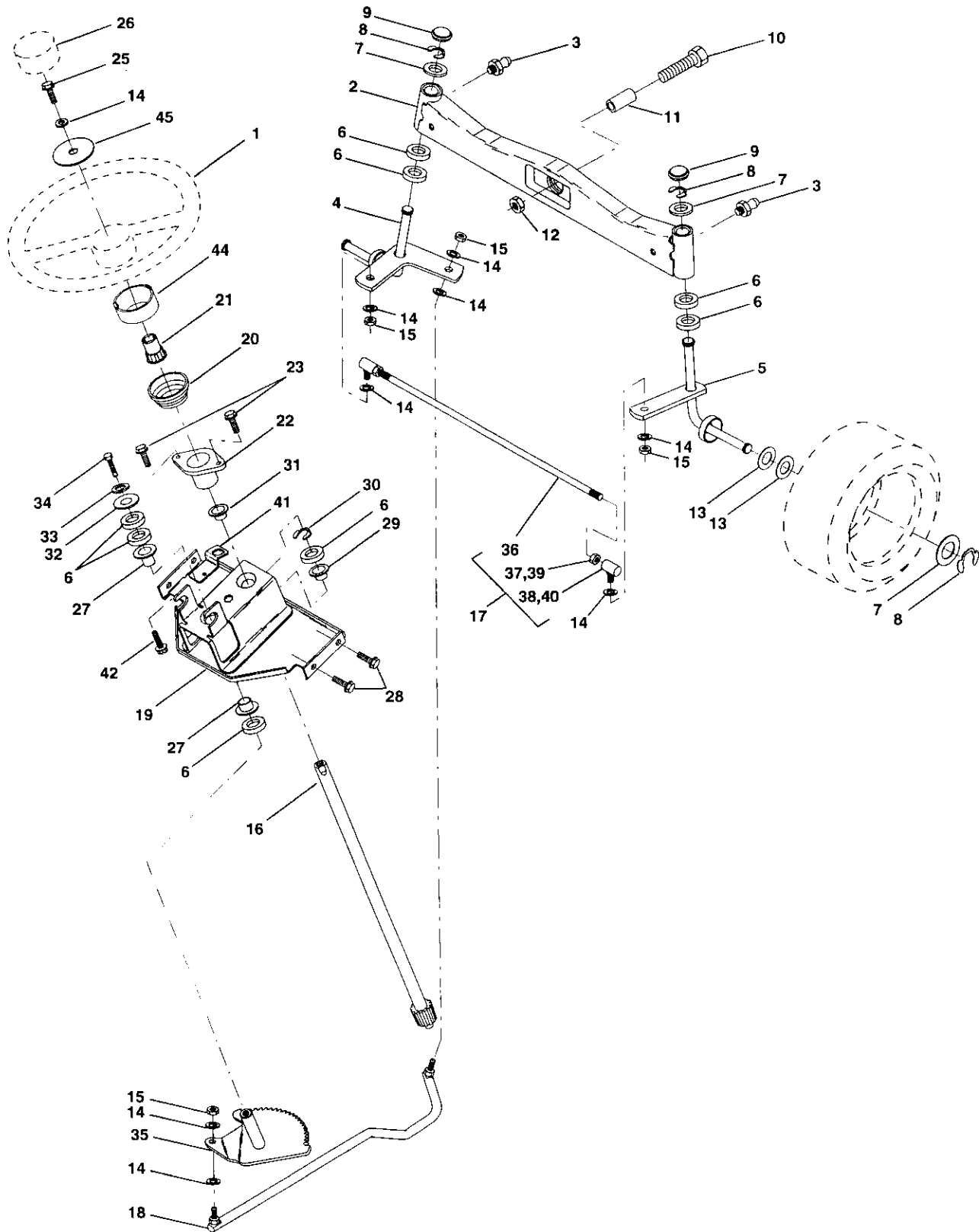
KEY NO.	PART NO.	DESCRIPTION	KEY NO.	PART NO.	DESCRIPTION
1	9858M1	Key, Woodruff	37	121749X	Washer 25/32 x 1-1/4 x 16 Gauge
3	7563R	Washer Thrust Axle	38	150035	Nyliner, Bushing
4	17490508	Screw Thdrol 5/16-18 x 3/4	39	74321016	Screw Fin #10-24 x 1
5	STD541437	Nut Crownlock 3/8-16	40	5304J	Actuator Interlock Switch
6	STD561210	Pin Cotter 1/8 x 3/4	41	73661000	Nut Lock #10-24
7	149176	Wheel Hub Asm.	42	8883R	Cover Pedal
8	12000034	Klip, Ring	46	145170	Retainer Spring
9	140080	Bolt Hub	47	138228	Clutch Rod
10	142509	Disc, Brake	48	72110612	Bolt Carriage 3/8-16 x 1-1/2 Gr 5
11	136927	Yoke, Brake Disc	50	131494	Pulley Idler Flat
12	73750800	Nut, Lock 1/2-20 UNF	51	STD541437	Nut Crownlock 3/8-16 UNC
13	139419	Washer, Special	52	139123	Pulley Idler Grooved
14	138901	Bushing	53	207J	Washer Hardened
15	STD551037	Washer 13/32 x 13/16 x 16 Ga	54	161590	Idler Clutch 98 Arm Asm
16	143012	Set, Screw 1/4-28 x 3/4	55	105706X	Bearing, Idler
17	126909X	Spring	56	137153	V-Belt
18	137104	Lever, Brake	57	141756	Bracket, Shift Rod, Hi-Lo
19	136926	Cam, Brake Disc	59	122253X	Shift Rod, Hi-Lo
21	23260412	Screw, Flat Head 1/4-28 x 3/4	60	122238X	Spring Clip, Connecting Link
22	633A109	Gearshift, Lever Assembly	61	137524	Pulley, Transaxle
23	106932X	Knob	62	STD551143	Washer, Lock 7/16
24	136925	Support, Puck Brake	63	74760720	Bolt, fin Hex 7/16-14 x 1-1/4
25	136923	Puck, Brake Top	64	154752	Shaft, Clutch/Brake Pedal
26	137552	Spring, Return	65	67609	Bolt Shoulder
27	17490528	Screw, hex Wsh Thd. 5/16-18 x 1-3/4	66	140296	Washer Hardened
28	73350600	Nut, Hex Jam 3/8-16	67	19131312	Washer 13/32 x 13/16 x 12 Ga
29	137213	Brake Rod	68	5142H	Pin, Roll
30	19131616	Washer 13/32 x 1 x 16 Ga.	69	136327	Hub, Cover
34	124236X	Cap Plunger	117	73900600	Nut Lock Flg. 3/8-16 UNC
35	137648	Rod Parking Brake			
36	149412	Spring Drive Ground			

NOTE: All component dimensions given in U.S. inches
1 inch = 25.4 mm

REPAIR PARTS

TRACTOR - - MODEL NUMBER 917.258360

STEERING ASSEMBLY



REPAIR PARTS

TRACTOR - - MODEL NUMBER 917.258360

STEERING ASSEMBLY

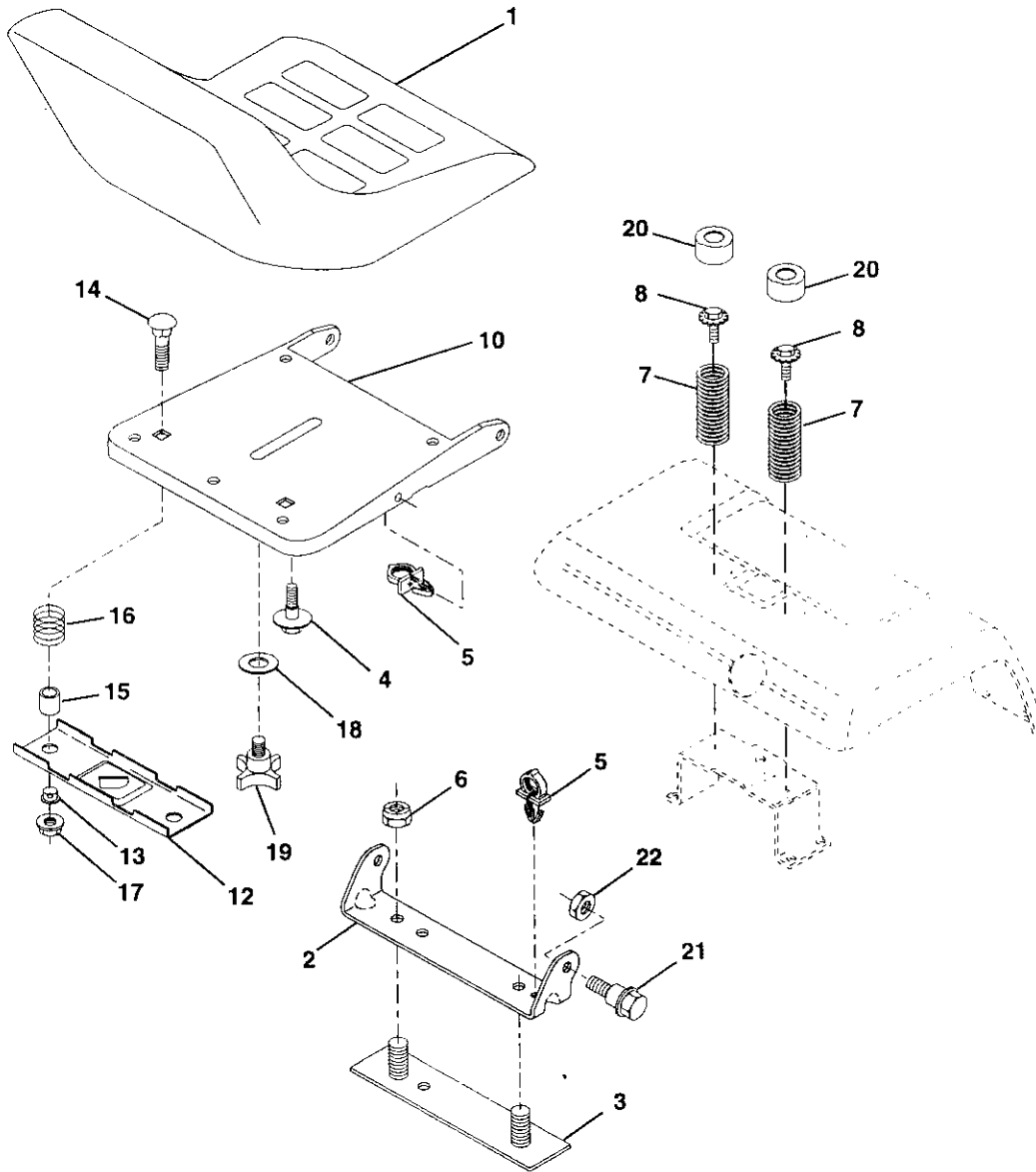
KEY NO.	PART NO.	DESCRIPTION
1	159944	Wheel, Steering
2	137094	Axle Asm., Front
3	6855M	Fitting, Grease
4	161849	Spindle Asm, LH
5	161848	Spindle Asm., RH
6	6266H	Bearing, Race Thrust Harden
7	121748X	Washer 25/32 x 1-5/8 x 16 Ga.
8	12000029	Ring, Klip #T5304-75
9	121232X	Cap, Spindle
10	74781044	Bolt, Fin Hex 5/8-11 x 2-3/4
11	136518	Spacer, Brg. Axle Front
12	73901000	Nut, Lock Flange 5/8-11 Unc
13	121749X	Washer 25/32 x 1-1/4 x 16 Ga.
14	STD551137	Washer, Lock Hvy Hlcl Spr 3/8
15	STD541537	Nut Lock Center 3/8-24 UNF
16	145103	Shaft Asm., Steering
17	137347	Rod Asm., Tie Ball J Ball Vgt (Inc. Key No. 36-40)
18	137155	Draglink, Ball Joint Solid Vgt
19	156011	Support Asm., Steering Vgt
20	163887	Boot Steering Stealth GTYT
21	159945	Adapter, Wheel Steering
22	155105	Bushing, Strg.
23	152927	Screw
25	STD523710	Bolt, Fin Hex 3/8-16 x 1 Gr. 5
26	159946	Insert Cap Strg Wh
27	3366R	Bearing, Col. Strg.
28	17490612	Screw thdrol 3/8-16 x 3/4 TY-TT
29	104239X	Bearing, Flange
30	12000034	Ring, Klip Truarc #5304-75
31	138136	Bushing, Nyliner Snap
32	19111610	Washer 11/32 x 1 x 10 Ga.
33	STD551131	Washer, Lock Hvy Hlcl Spr 5/16
34	STD523107	Bolt, Hex Hd 5/16-18 x 3/4
35	138059	Gear, Sector Steering
36	137156	Tie Rod
37	73360600	Jam Nut RH Thread
38	109850X	Joint Asm. Ball RH Thread
39	73700600	Jam Nut LH Thread
40	109851X	Joint Asm. Ball LH Thread
41	155246	Bracket Switch Interlock VGT 97
42	17490508	Screw Thdrol. 5/16-18 x 1/2 TYT
44	160135	Extension Steering Premium
45	19132411	Washer 13/32 x 1-1/20 x 11 Ga.

NOTE: All component dimensions given in U.S. inches
1 inch = 25.4 mm

REPAIR PARTS

TRACTOR - - MODEL NUMBER 917.258360

SEAT ASSEMBLY



KEY NO.	PART NO.	DESCRIPTION
1	140124	Seat
2	140551	Bracket, Pivot Seat
3	140675	Strap, Fender Asm.
4	127018X	Bolt, Shoulder 5/16-18 x .62
5	145006	Clip, Push-In Hinged
6	STD541437	Nut, Crownlock 3/8-16
7	124181X	Spring, Seat Cprsn.
8	150176	Bolt 5/16-18 UNC x 3/4 w/Sems
10	155925	Pan, Seat
12	121246X	Bracket, Mounting Switch
13	121248X	Bushing, Snap

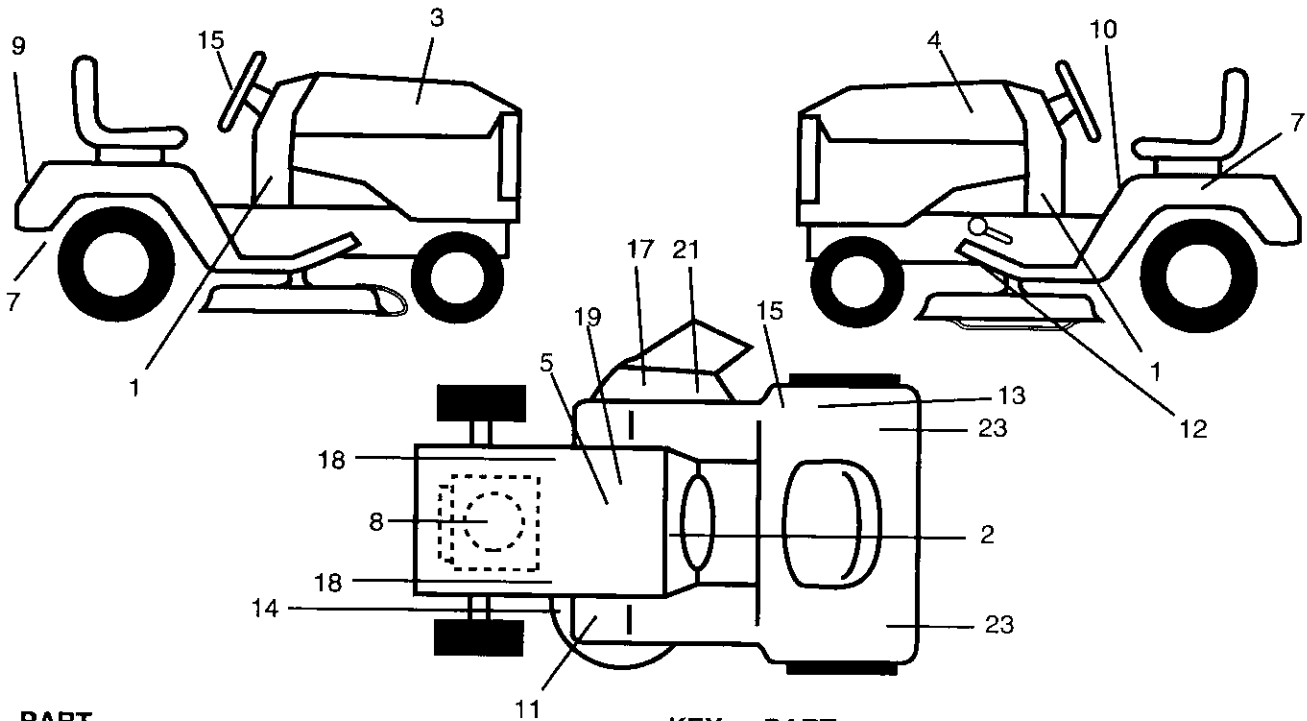
KEY NO.	PART NO.	DESCRIPTION
14	72050412	Bolt, Carriage 1/4-20 x 1-1/2
15	121249X	Spacer, Split
16	123740X	Spring, Cprsn.
17	123976X	Nut, Lock 1/4 Lg. Flg. Gr. 5
18	19171912	Washer 17/32 x 1-3/16 x 12 Ga.
19	120068X	Knob, Seat
20	124238X	Cap, Spring Seat Blk
21	153236	Bolt 5/16-18
22	STD541431	Nut, Crownlock 5/16-18

NOTE: All component dimensions given in U.S. inches
1 inch = 25.4 mm

REPAIR PARTS

TRACTOR -- MODEL NUMBER 917.258360

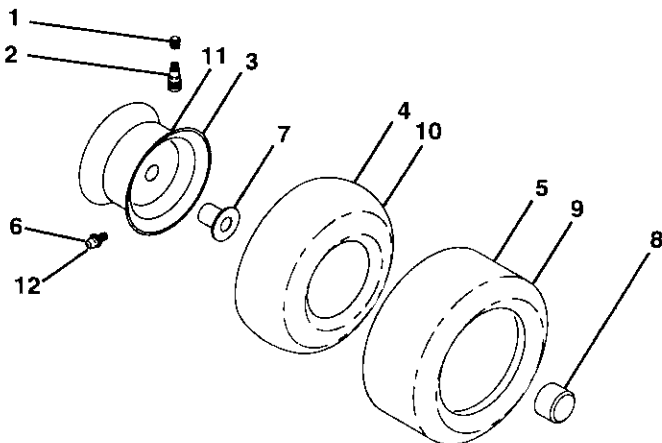
DECALS



KEY NO.	PART NO.	DESCRIPTION
1	163257	Decal, Dash Panel
2	164487	Decal, Dash
3	163916	Decal, Hood, Craftsman, RH
4	163917	Decal, Hood, Craftsman, LH
5	145005	Decal, Battery DNGR/PSN Eng Asm
7	163210	Decal, Fender
8	273852	Decal, Eng
9	163204	Decal, Fender, Craftsman
10	145498	Decal, Read Owners Manual Sym
11	159737	Decal, Clutch/Brake
12	146047	Decal, V-Belt Drive Schematic
13	126187X	Decal, DBA
14	160397	Decal, V-Belt Schematic

KEY NO.	PART NO.	DESCRIPTION
15	145437	Decal, Europe Stand
16	164065	Decal, Insert Strg
17	145494	Decal, Intern, Cutting
18	159736	Decal, Chassis Hot Muffler
19	138047	Decal, Battery
21	163203	Decal, Mower EZ3
23	106202X	Reflector, Taillight
--	162598	Decal, Drawbar Load Limit
--	138311	Decal, Handle Lift (Lift Handle)
--	157199	Pad Frest R Br Sq Craftsman 95
--	164528	Manual, Operator's (European)
--	164531	Manual, Parts

WHEELS & TIRES



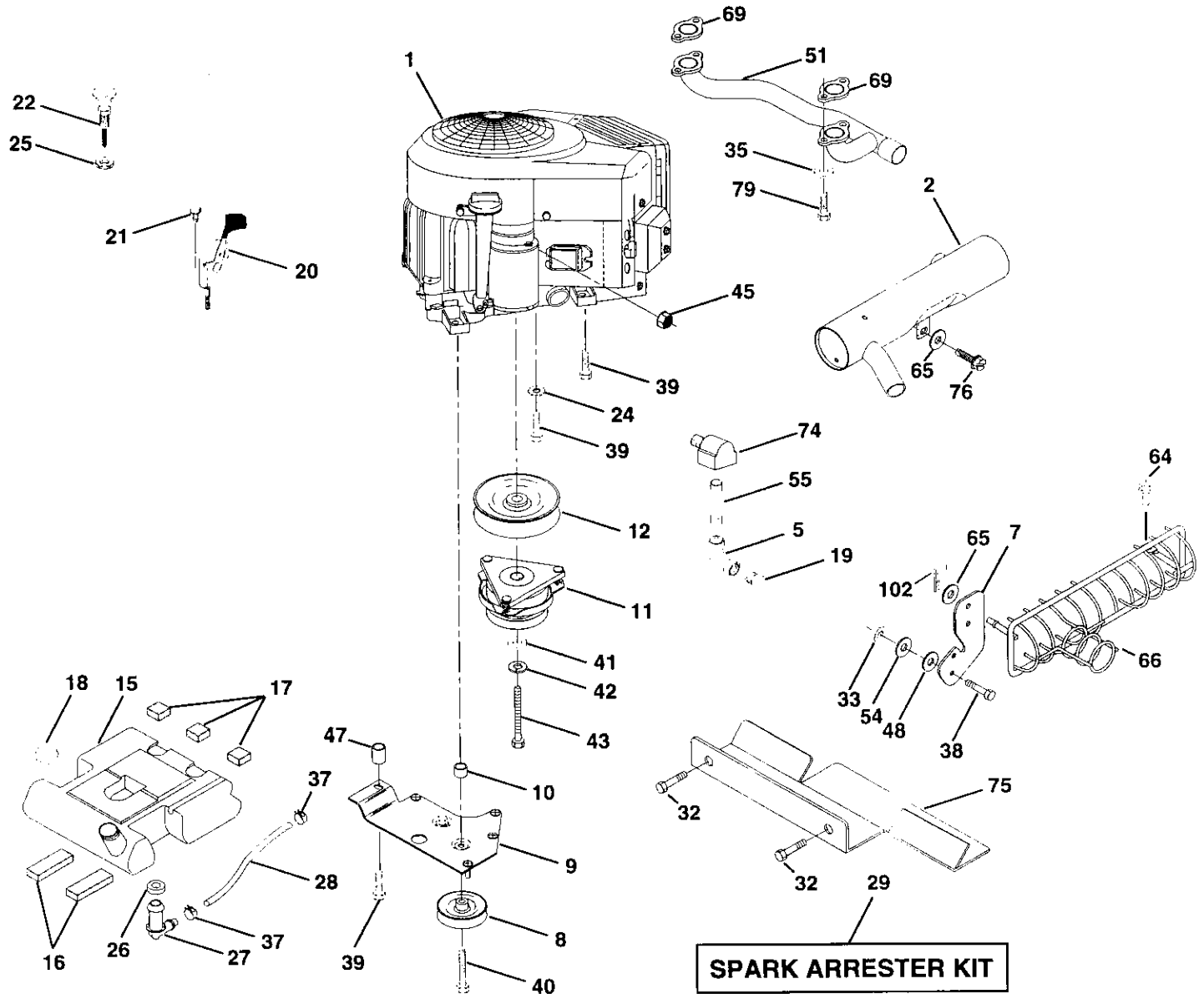
KEY NO.	PART NO.	DESCRIPTION
1	59192	Cap, Valve, Tire
2	65139	Stem, Valve
3	148736X427	Rim Assembly, Front
4	8134H	Tube, Front (Service Item Only)
5	148741	Tire, Front
6	278H	Fitting, Grease (Front Wheel Only)
7	9040H	Bearing, Flange (Front Wheel Only)
8	104757X	Cap, Axle (Front Wheel Only)
9	151607	Tire, Rear
10	7154J	Tube, Rear (Service Item Only)
11	148738X427	Rim Assembly, Rear
12	6856M	Fitting, Grease
--	144334	Sealant, Tire (10 oz. Tube)

NOTE: All component dimensions given in U.S. inches
1 inch = 25.4 mm

REPAIR PARTS

TRACTOR -- MODEL NUMBER 917.258360

ENGINE



REPAIR PARTS

TRACTOR - - MODEL NUMBER 917.258360

ENGINE

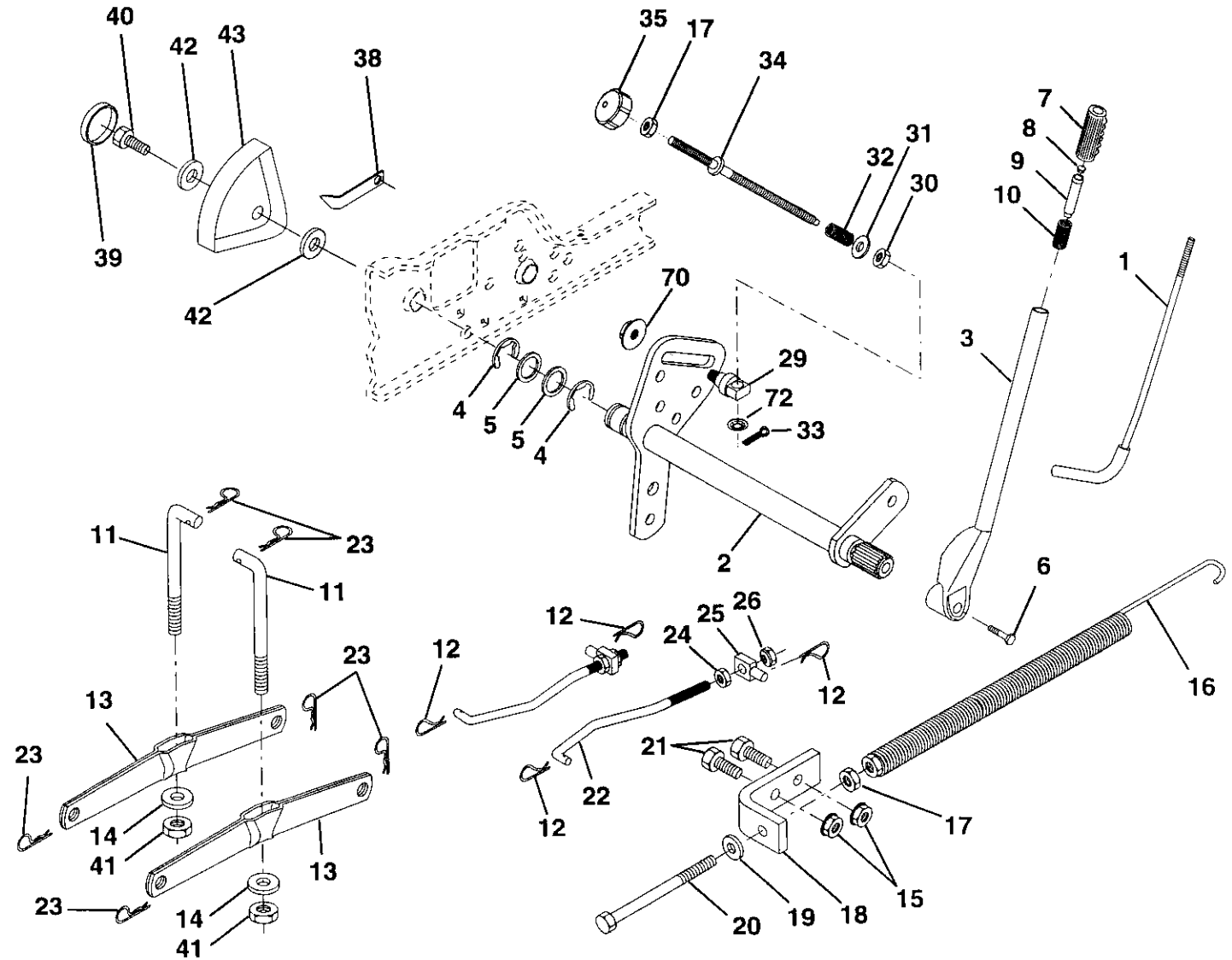
KEY NO.	PART NO.	DESCRIPTION
1	-----	Engine (See Breakdown) B&S Model 407777-0122-E1
2	161062	Muffler Side
5	13200300	Elbow STD 90 Degree 3/8 - 18 NPT
7	151397	Muffler Assy Guard
8	121361X	Pulley V-Idler
9	150828	Stop Keeper Asm VGT
10	105432X	Bushing
11	140923	Clutch Electric
12	143996	Pulley Engine
15	151346	Tank Fuel Rear
16	109227X	Pad Spacer
17	106082X	Pad Spacer
18	161493	Cap Fuel
19	13290300	Plug Oil Drain (Order From Engine Manufacturer)
20	164067	Control Throttle
21	17521312	Screw, Slt'd Hex Hd W/Pln Wsh
22	164068	Control Choke
24	11050600	Washer Ext Tooth 3/8
25	73920600	Nut Fin Hex 3/8 - 24 UNF
26	3645J	Bushing
27	139277	Stem Tank Fuel
28	7834R	Fuel Line
29	132920	Spark Arrester Kit
32	17490508	Screw Thdrol 5/16-18 x 1/2
33	73800600	Nut Lock Hex W/Ins 3/8-16
35	10040500	Washer Lock 5/16
37	123487X	Clamp Hose
38	74780624	Bolt Fin Hex 3/8-16unc x 1-1/2
39	17490636	Screw Thdrol 3/8 - 16 x 2-1/4 TT
40	17490664	Screw Thdrol 3/8 - 16 x 4
41	126197X	Washer 1-1/2 OD x 15/32 ID x .250
42	10040700	Washer Lock 7/16
43	150280	Bolt Hex 7/16-20 x 4-1/4 Ga 5
45	128861	Nut Flange 1/4-20
47	142040	Spacer, Engine
48	19132007	Washer 13/32 x 1-1/4 x 7
51	161064	Pipe Manifold
54	19131414	Washer 13/32 x 1-1/4 x 7
55	13280336	Nipple Pipe 3/8NPT X 4 - 1/2
63	163776	Shield Heat
64	17490616	Screw Thdrol 3/8-16 x 1
65	19131614	Washer 13/32 x 1 x 14 Ga.
66	-----	Cage Muffler
69	273485	Gasket Muffler
74	162295	Elbow Street Brass
75	163776	Shield Heat Intek VGT
76	17490612	Screw Thdrol 3/8-16 x 3/4
79	71070512	Screw Hex Hd Cap 5/16-18 x 3/4
102	4497H	Retainer, Spring

NOTE: All component dimensions given in U.S. inches
1 inch = 25.4 mm

REPAIR PARTS

TRACTOR - - MODEL NUMBER 917.258360

MOWER LIFT



REPAIR PARTS

TRACTOR - - MODEL NUMBER 917.258360

MOWER LIFT

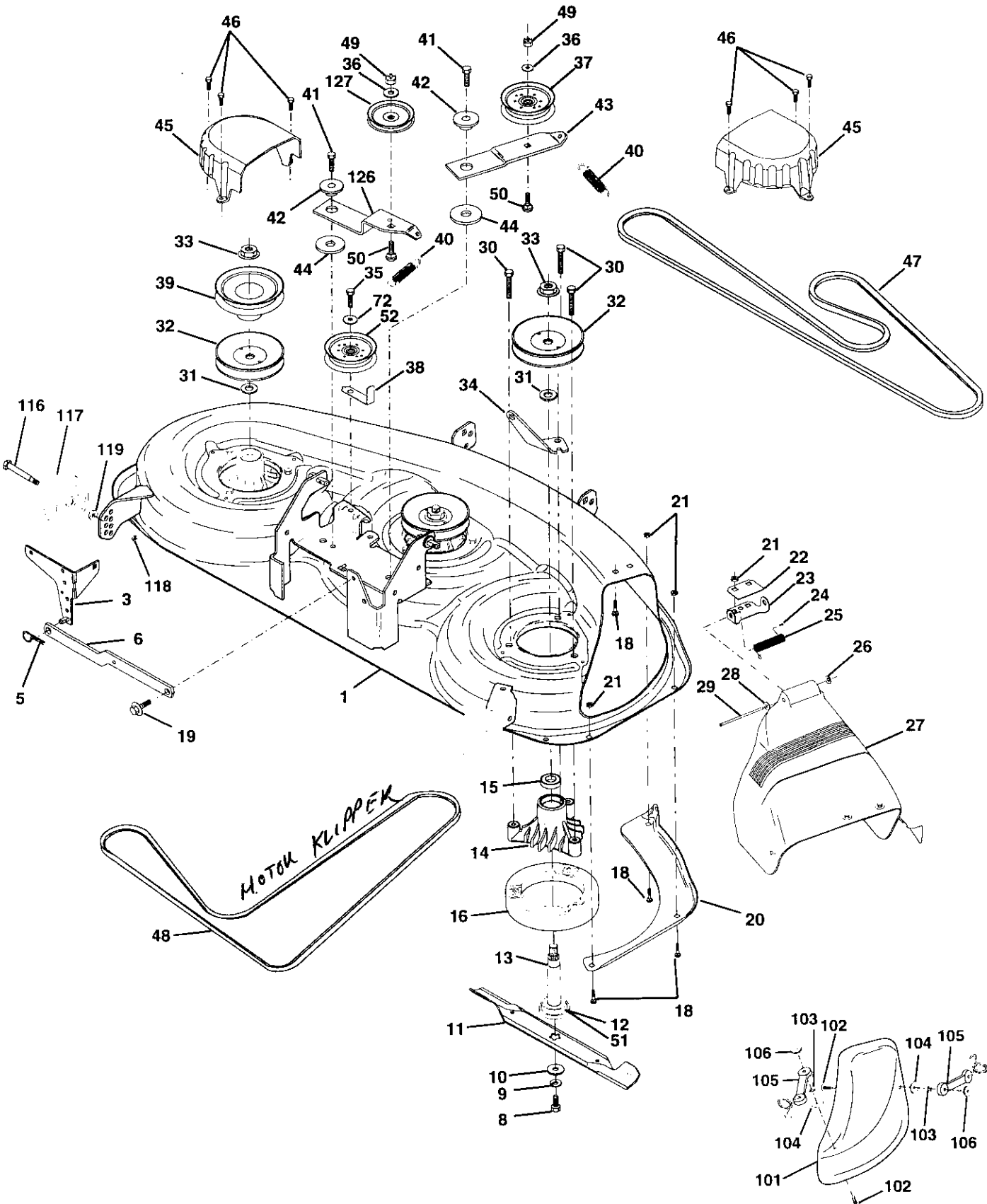
KEY NO.	PART NO.	DESCRIPTION
1	121006X	Rod Asm., Lever
2	159187	Shaft Asm., Lift Vgt
3	159189	Lever Asm., Lift Rh
4	12000022	E-Ring Truarc #5133-87
5	19292016	Washer 29/32 x 1-1/4 x 16 Ga.
6	74780624	Bolt, Fin Hex 3/8-16 x 1-1/2
7	125631X	Grip, Handle Fluted
8	122365X	Button, Plunger
9	122364X	Plunger, Lever Lift
10	2876H	Spring 2-1/8"
11	146704	Link Lift
12	163552	Retainer, Spring
13	139868	Arm, Suspension Vgt
14	140302	Bearing, Pvt. Lift Spherical
15	STD541437	Nut, Crownlock 3/8-16 Unc
16	674A247	Spring Asm., Assist Lift
17	STD541237	Nut, Hex Jam 3/8-16 Unc
18	143363	Bracket, Spring Assist
19	STD551037	Washer 13/32 x 13/16 x 16 Ga.
20	5328J	Bolt, Adjust Spring Assist
21	STD523710	Bolt, Fin Hex 3/8-16 x 1
22	127218	Link, Front
23	STD624008	Retainer, Spring
24	73350800	Nut, Jam Hex 1/2-13 Unc
25	130171	Trunnion
26	73680800	Nut, Crownlock 1/2-13
29	150233	Trunnion Inf. Height
30	110807X	Nut, Special
31	19131016	Washer 13/32 x 5/8 x 16 Ga.
32	137150	Spring, Compression Inf Hgt
33	76020308	Pin, Cotter 3/32 x 1/2
34	137167	Rod, Adj Lift
35	138057	Knob, Inf 3/8-16 Unc
38	155097	Pointer, Height Indicator
39	123935X	Plug, Hole
40	17490512	Screw Thdrol 5/16-18 x 3/4
41	73540600	Nut, Crownlock 3/8-24
42	19112410	Washer 11/32 x 1-1/2 x 10 Ga.
43	123934X	Scale, Indicator Height
70	145212	Nut, Hexflange Lock
72	110452X	Nut Push Phos. & Oil

NOTE: All component dimensions given in U.S. inches
1 inch = 25.4 mm

REPAIR PARTS

TRACTOR -- MODEL NUMBER 917.258360

MOWER DECK



REPAIR PARTS

TRACTOR - - MODEL NUMBER 917.258360

MOWER DECK

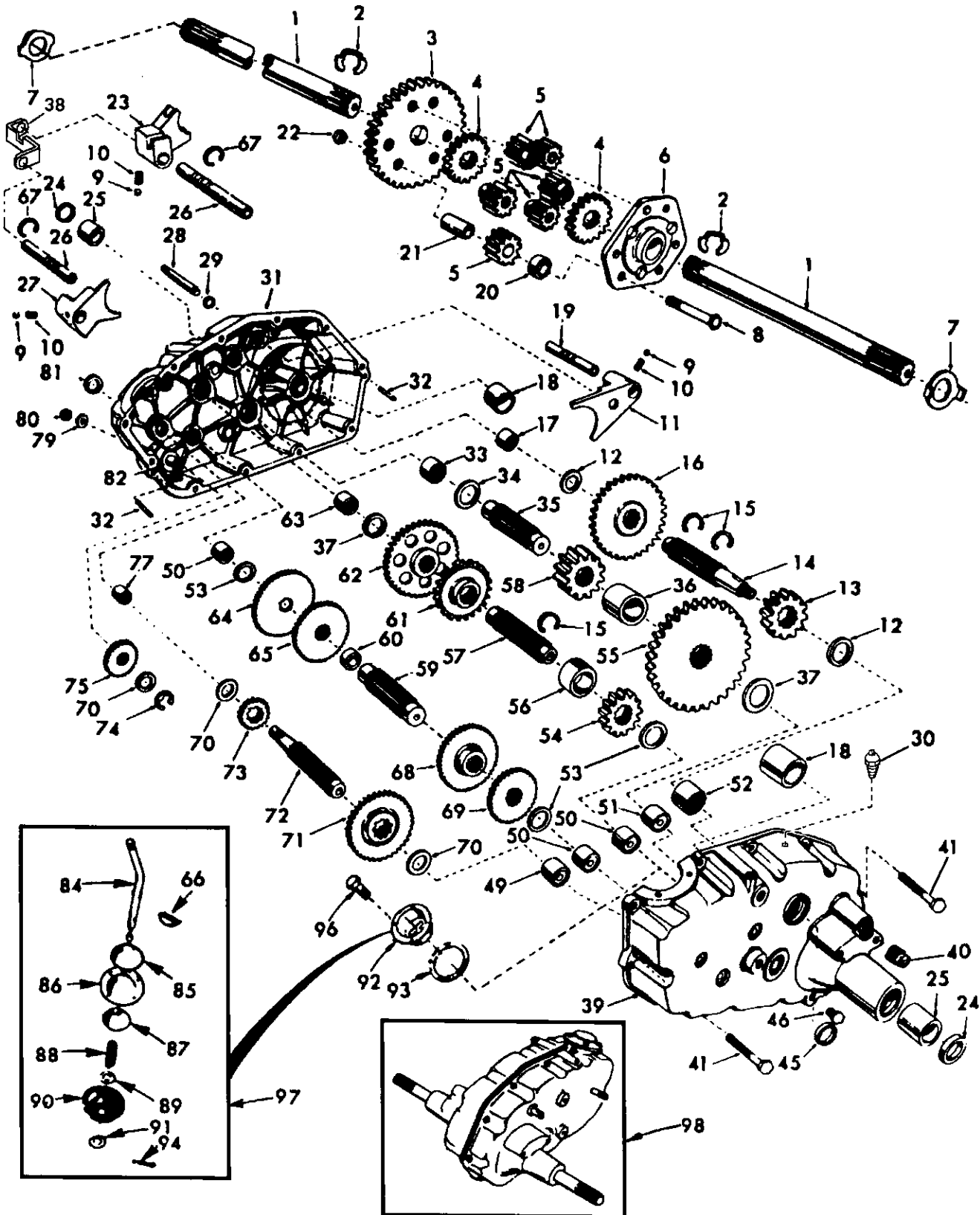
KEY NO.	PART NO.	DESCRIPTION	KEY NO.	PART NO.	DESCRIPTION
1	164210	Deck Weldment, w/Adj. GWB 46"	39	144917	Pulley, Idler, Driven
3	138457	Bracket asm., Sway Bar	40	137273	Spring, Secondary
5	STD624008	Retainer, Spring	41	17490620	Screw, Thdrol 3/8-16 x 1-1/4 Tytt
6	130832	Arm Suspension, Rear	42	122052X	Spacer, Retainer
8	850857	Bolt 3/8-24 x 1.25 Gr. 8 Patched	43	144949	Arm, Idler Secondary
9	STD551137	Washer, Lock Hvy 3/8 Unplated	44	133943	Washer Hardened
10	140296	Washer, Hard Blade Mower Vented	45	145059	Cover, Mandrel Deck
11	163819	Blade	46	137729	Screw, Thd Roll 1/4-20 x 5/8
12	129895	Bearing, Ball #6204 (Mandrel)	47	144959	V-Belt, Mower Secondary
13	137553	Shaft Asm., W/Lower Brg (Includes Key No. 12)	48	139573	V-Belt, Mower Primary
14	137152	Housing, Mandrel 50" Vent	49	STD541437	Nut, Crownlock 3/8-16 UNC
15	110485X	Bearing, Ball Mandrel	50	72110612	Bolt Carriage 3/8-16 x 1-1/2
16	140329	Stripper, Mower Vented	51	153390	Washer, Felt
18	STD533106	Bolt, Carriage 5/16-18 x 5/8	52	156493	Pulley, Idler 46" Prim. Driv
19	132827	Bolt, Hex Head, Shoulder 5/16-18	72	19131616	Washer 13/32/1/16 Ga.
20	145055	Baffle, Vortex Mower 46"	101	145579	Cover, Mulching
21	STD541431	Nut, Crownlock 5/16-18 UNC	102	71161010	Screw
22	134753	Stiffener, Bracket	103	STD551110	Washer, Lock #10
23	131267	Bracket, Deflector	104	19061216	Washer
24	105304X	Cap, Sleeve	105	160793	Latch Asm. Bagger
25	149287	Spring, Torsion, Deflector	106	2029J	Nut, Weld
26	110452X	Nut, Push	116	137644	Bolt, Shoulder
27	157788	Shield, Deflector, Mower	117	133957	Gauge Wheel
28	19111016	Washer 11/32 x 5/8 x 16 Ga.	118	73930600	Nut, Centerlock 3/8-16 UNC
29	131491	Rod, Hinge	119	19121414	Washer 3/8 x 7/8 x 14 Ga.
30	157722	Screw Thd Rolling Washer Head	126	144948	Arm, Idler, Primary Deck 46"
31	129963	Washer, Spacer Mower Vented	127	146763	Pulley, Idler, V-Groove dim. 4.25
32	153531	Pulley, Mandrel	--	164821	Mower Service 46" (Standard Deck - Order separately mulching and nose roller components Key Nos. 101-106 and 90-95)
33	137266	Nut, Flg. Top Lock Cntr. 9/16	--	143651	Mandrel Asm 44/50 Service (Includes Key Nos. 8-10, 12-15, 31 and 33)
34	144945	Anchor, Spring Deck 46"			
35	17490628	Screw Thdrol 3/8-16 x 1-3/4 Tytt			
36	STD551037	Washer 13/32 x 13/16 x 16			
37	131494	Pulley, Idler Flat			
38	156086	Keeper, Belt Idler			

NOTE: All component dimensions given in U.S. inches
1 inch = 25.4 mm

REPAIR PARTS

TRACTOR - - MODEL NUMBER 917.258360

TRANSAXLE



REPAIR PARTS

TRACTOR - - MODEL NUMBER 917.258360

TRANSAXLE

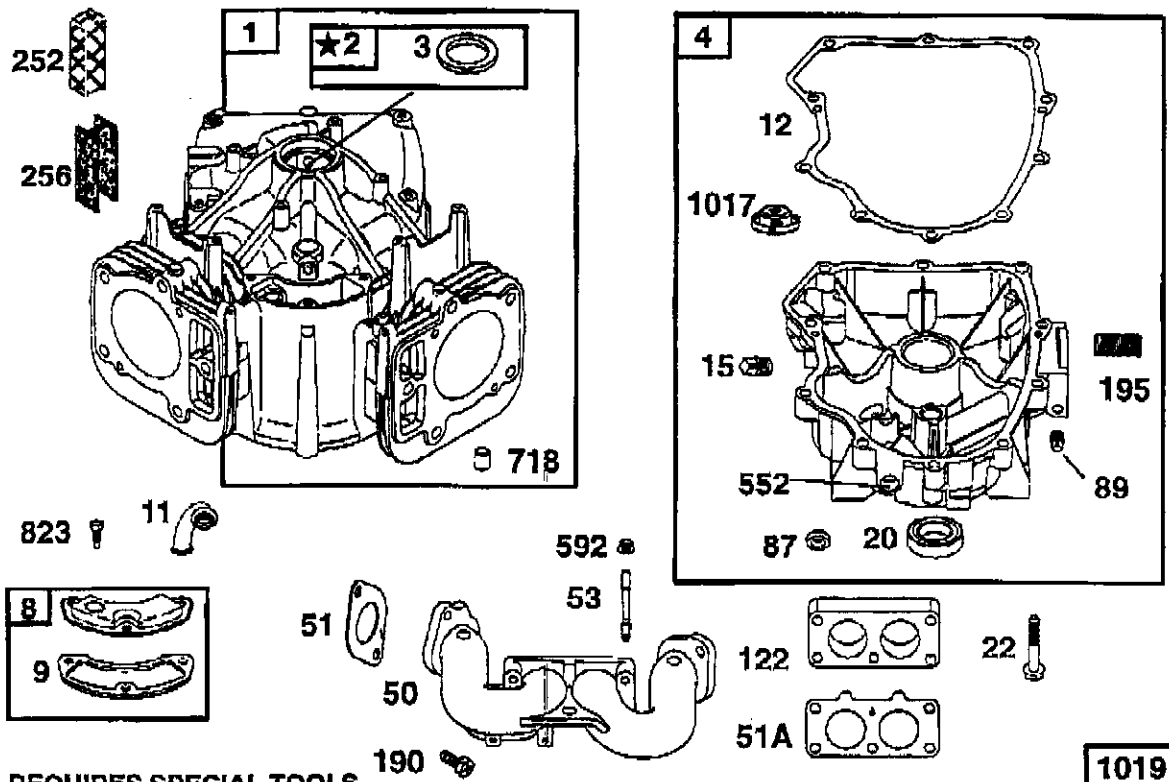
KEY PART NO.	NO.	DESCRIPTION	KEY PART NO.	NO.	DESCRIPTION
1	4197R	Axle Shaft	52	8119M	Needle Bearing
2	12000034	Retaining Ring	53	4220R	Thrust Bearing Race
3	4199R	Final Drive Gear	54	4209R	3rd Reduction Pinion, Low
4	4216R	Differential Gear	55	4213R	4th Reduction Gear
5	4215R	Differential Pinion	56	4442R	3rd Reduction Pinion Spacer
6	4217R	Differential Carrier	57	4195R	2nd Reduction Gear Shaft
7	6256H	Axle Thrust Washer	58	4214R	Final Drive Pinion
8	74020652	Bolt, Hex Head 3/8-24 x 3-1/4 (1" Thread Length)	59	4194R	1st Reduction Gear Shaft
9	7392M	Steel Ball	60	7528R	1st Reduction Shaft Spacer
10	137261	Spring Shift Fork Detent	61	4208R	3rd Reduction Pinion High
11	4985R	Shift Fork, High-Low Range	62	4207R	2nd Reduction Gear
12	6266H	Thrust Bearing Race	63	7398H	Needle Bearing
13	4212R	4th Reduction Pinion	64	4203R	Low Speed Gear and 2nd Reduction Pinion Cluster
14	137125	Shaft, Brake	65	4204R	Reverse Gear
15	6276H	Snap Ring, Crescent Type	66	2898J	Key, Hi-Pro 1/8 x 17/32
16	633A63	High-Low Range Gears	67	12000033	Klip Ring
17	8118M	Needle Bearing	68	4205R	Intermediate Speed Gear
18	8740H1	Sintered Iron Bearing	69	4206R	High Speed Gear
19	122238X	Shift Fork Shaft, High-Low Range	70	1370H	Thrust Bearing Race
20	4218R	Differential Pinion Spacer	71	633A69	Intermediate and High Speed Cluster Pinions
21	6252H1	Differential Pinion Bushing	72	139120	Input Shaft
22	7810H	Gripco Centerlock Nut 3/8-24	73	4201R	Low Speed Pinion
23	6262H	Shift Fork, R.H.	74	12000008	E-Ring
24	7393R	Oil Seal	75	1153R	Reverse Idler Gear
25	992R1	Sintered Iron Bearing	77	6803J	Needle Bearing
26	139111	Shift Fork Shaft	79	1167R	Sealing Washer
27	4986R	Shift Fork, L.H.	80	73360700	Nut, Hex, Jam 7/16-20
28	122254X	Shift Shaft, High-Low Range	81	6270H	Oil Seal
29	6269H	Oil Seal	82	136984	Reverse Idler Shaft
30	5855H	Pressure Relief Valve	84	5384J	Gearshift Lever, Bent
31	139538	Gearcase, Reverse Idler Shaft and Bearings, R.H. (Includes Key No.'s 17, 18, 25, 33, 50, 63, 77 and 82)	85	2978J	Gearshift Cap
32	6277H	Dowel Pin	86	633A85	Gearshift Ball Cover and Pin
33	4225R	Needle Bearing	87	8739H1	Shift Lever Guide Ball, Keyed
34	7396H	Thrust Bearing Race	88	4924H	Spring
35	4198R	4th Reduction Gear Shaft	89	19151516	Washer 15/32 x 15/16 x 16 Gauge
36	4200R	4th Reduction Gear Spacer	90	110542X	Shift Mechanism Seal
37	7395H	Thrust Bearing Race	91	19181511	Washer 9/16 x 15/16 x 12 Gauge
38	160789	Gate, Lower, Shift	92	75J	Gearshift Gate and Reinforcement
39	139536	Gearcase and Bearings, L.H. (Includes Key Numbers 18, 25, 49, 50 (2), 51 and 52)	93	6274H	Shift Ball Cover Gasket
40	13320400	Pipe Plug 1/2-14 N.P.T.	94	76020412	Cotter Pin 1/8 x 3/4
41	17580520	Bolt, Hex 5/16-18 UNC x 1-1/4	95	10040500	Washer, Lock 5/16
45	6271H	Oil Seal	96	159783	Screw, Hex, Washer HD. Machine
46	13060200	Pipe Plug 1/4-18 N.P.T.	97	633A109	Gearshift Lever Assembly
49	4895H	Needle Bearing	98	161822	Transaxle, 6 Speed, Complete Assembly
50	4222R	Needle Bearing			
51	1529R	Needle Bearing			

NOTE: All component dimensions given in U.S. inches
1 inch = 25.4 mm

REPAIR PARTS

TRACTOR - - MODEL NUMBER 917.258360

BRIGGS AND STRATTON ENGINE - MODEL NUMBER 407777, TYPE NUMBER 0120-E1

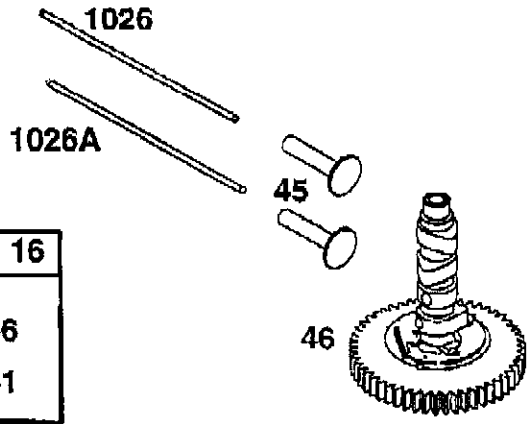
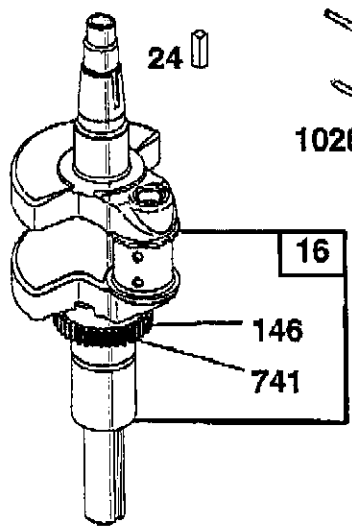
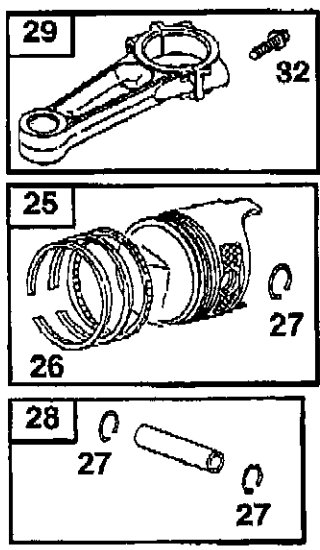


★ REQUIRES SPECIAL TOOLS TO INSTALL. SEE REPAIR INSTRUCTION MANUAL.

1036 LABEL KIT-EMISSION

1058 OWNER'S MANUAL

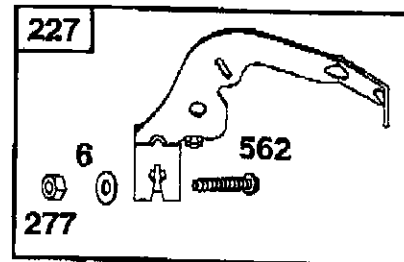
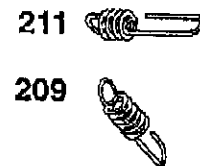
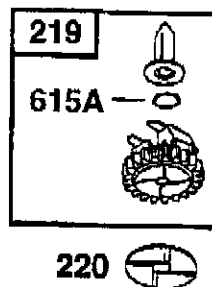
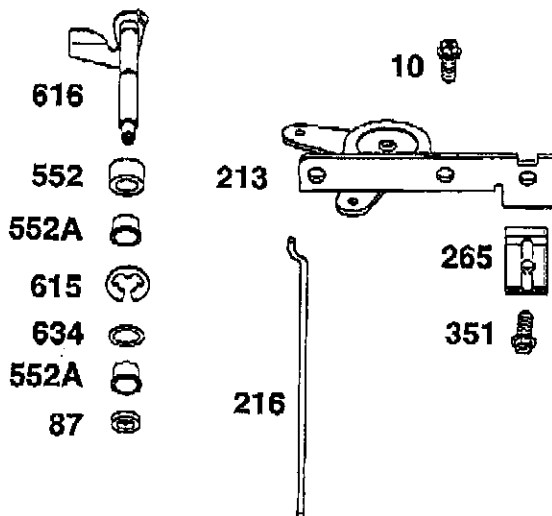
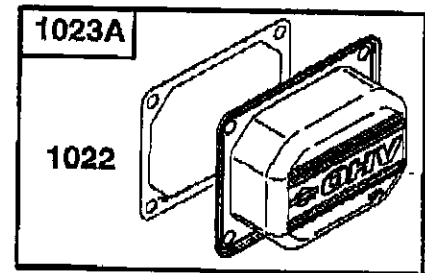
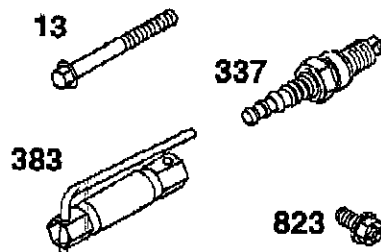
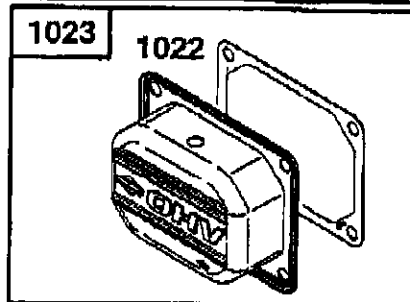
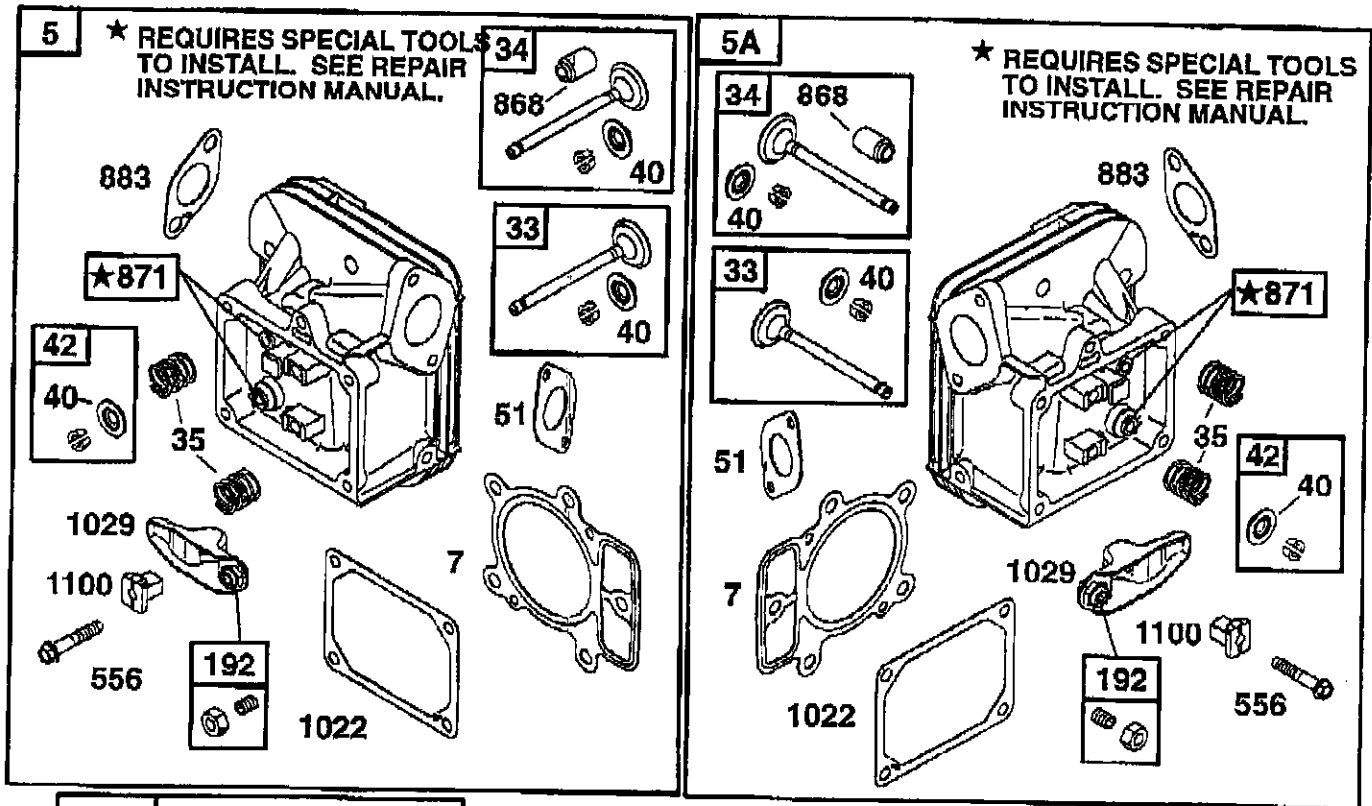
1019 LABEL KIT



REPAIR PARTS

TRACTOR - - MODEL NUMBER 917.258360

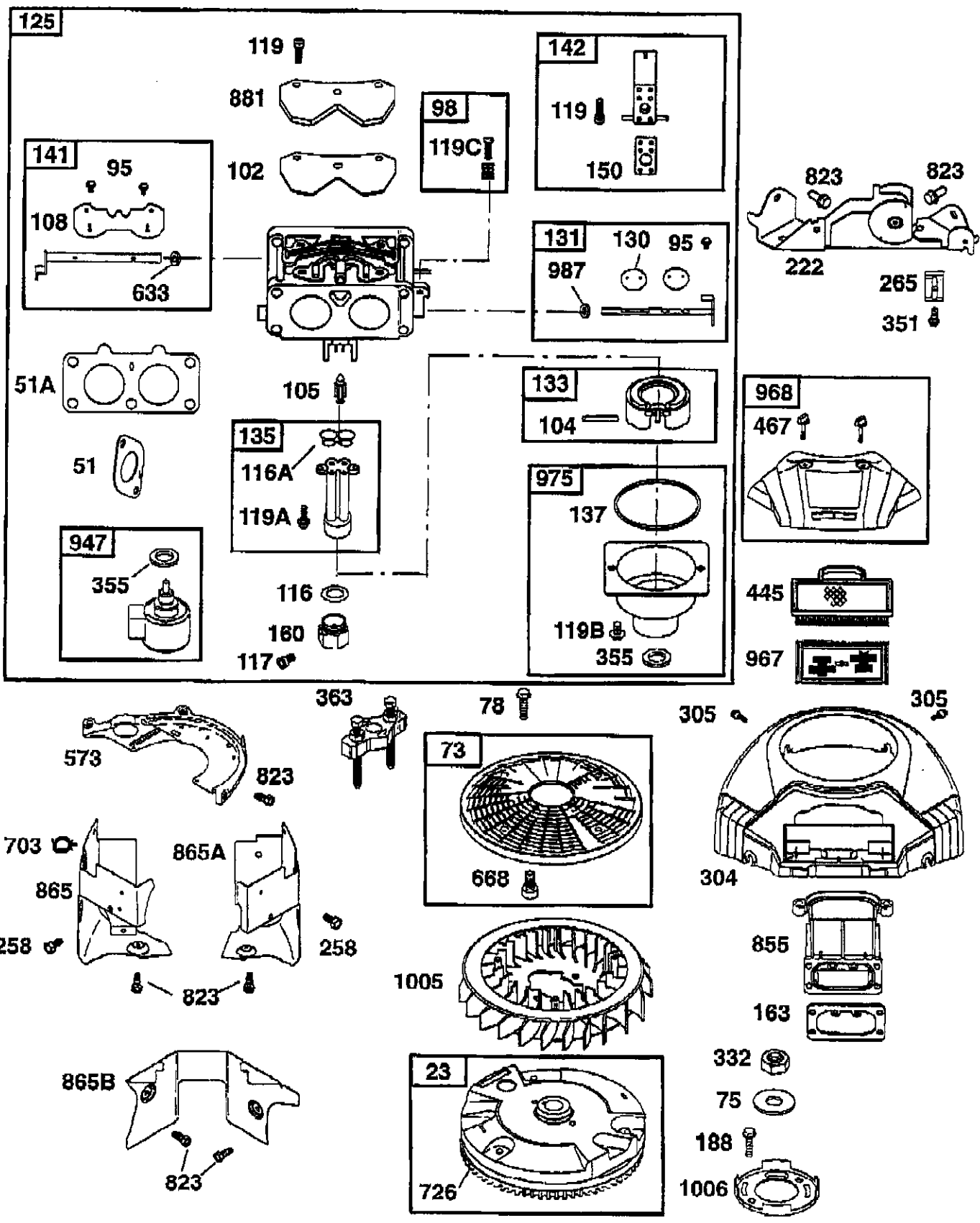
BRIGGS AND STRATTON ENGINE - MODEL NUMBER 407777, TYPE NUMBER 0120-E1



REPAIR PARTS

TRACTOR - - MODEL NUMBER 917.258360

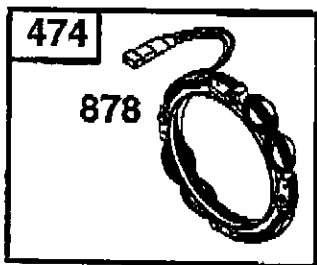
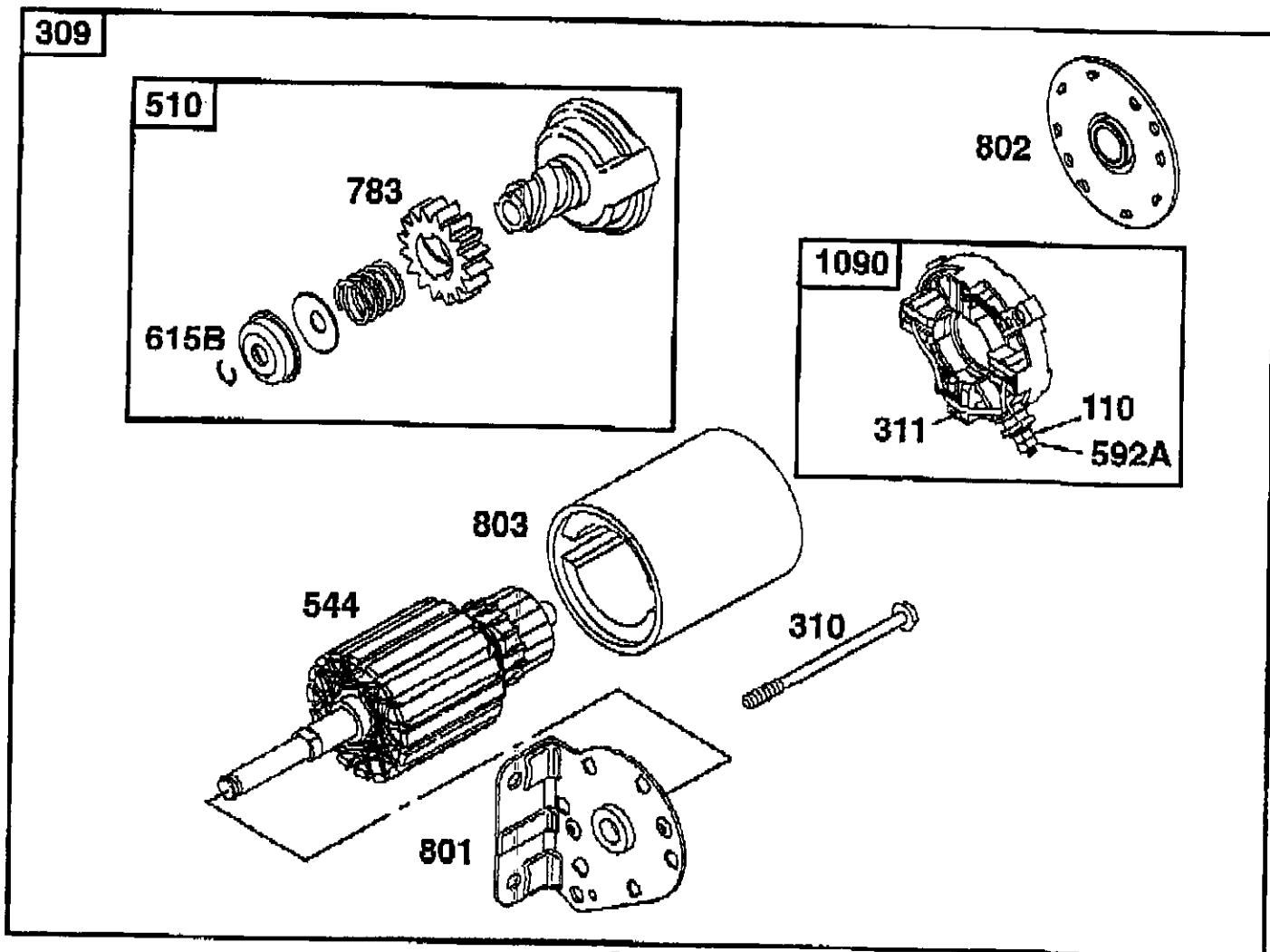
BRIGGS AND STRATTON ENGINE - MODEL NUMBER 407777, TYPE NUMBER 0120-E1



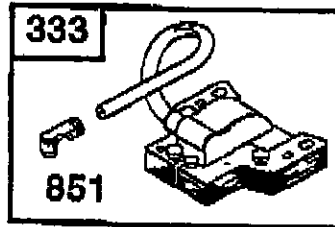
REPAIR PARTS

TRACTOR - - MODEL NUMBER 917.258360

BRIGGS AND STRATTON ENGINE - MODEL NUMBER 407777, TYPE NUMBER 0120-E1

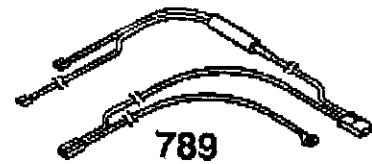


878



333

851

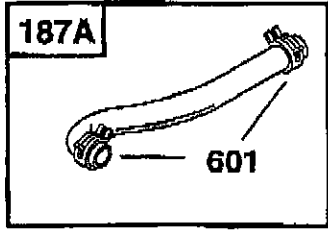
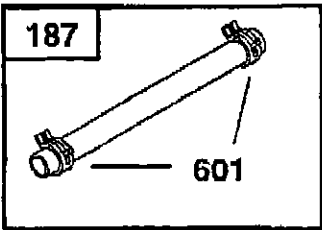
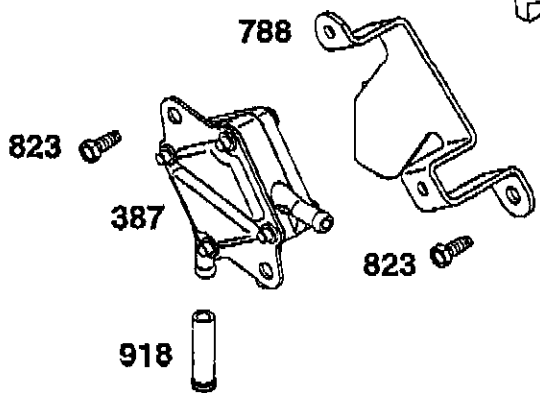
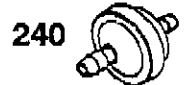
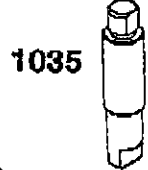
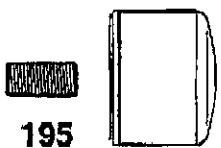
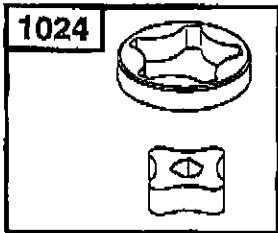
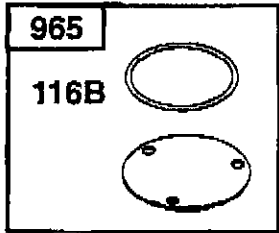
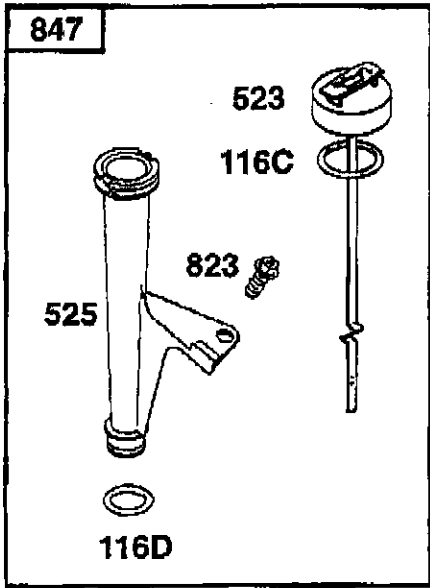


789

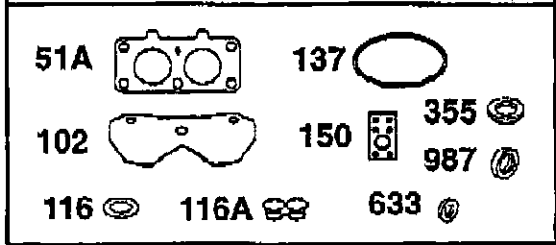
REPAIR PARTS

TRACTOR - - MODEL NUMBER 917.258360

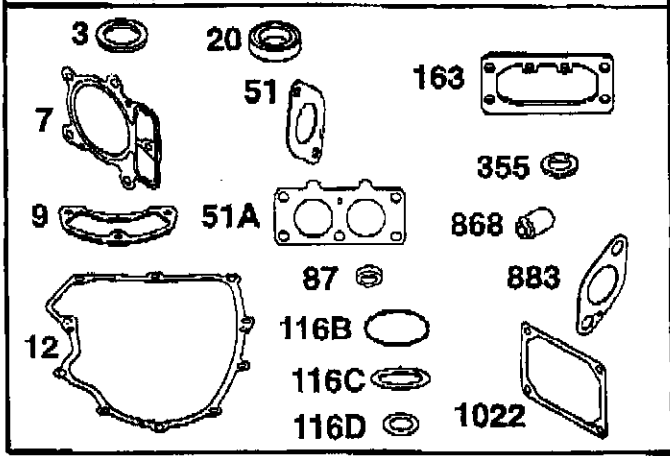
BRIGGS AND STRATTON ENGINE - MODEL NUMBER 407777, TYPE NUMBER 0120-E1



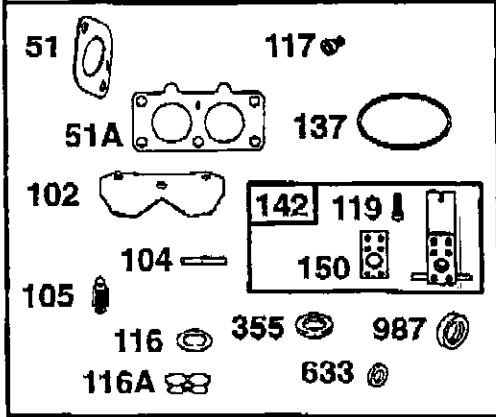
◆977 CARBURETOR GASKET SET



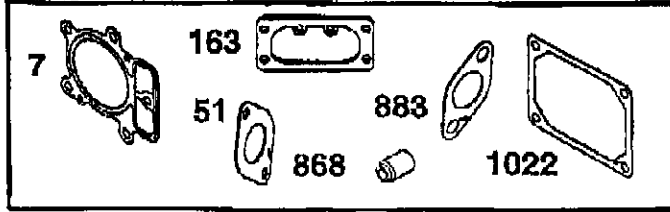
★ 358 GASKET SET



●121 CARBURETOR KIT



△ 1033 VALVE OVERHAUL KIT



REPAIR PARTS

TRACTOR - - MODEL NUMBER 917.258360

BRIGGS AND STRATTON ENGINE - MODEL NUMBER 407777, TYPE NUMBER 0120-E1

KEY NO.	PART NO.	DESCRIPTION	KEY NO.	PART NO.	DESCRIPTION
1	499584	Cylinder Assembly	116	690987	◇ O-Ring, Solenoid Retainer
2	499585	Bushing, Cylinder	116A	690988	◇ O-Ring, Fuel Transfer Tube
3	690926	* Seal, Oil	116B	690589	* Seal, O-Ring (Oil Pump Cover)
4	690069	Sump, Engine	116C	691031	* Seal, O-Ring (Dipstick)
5	499587	Head, Cylinder No. 1	116D	691032	* Seal, O-Ring (Oil Fill Tube)
5A	499595	Head, Cylinder No. 2	117	690232	• Jet, Main (Standard)
6	690097	Washer, Flat	119	690990	• Screw, Phillips
7	690962	∅* Gasket, Cylinder Head	119A	690991	Screw, Phillips
8	499601	Breather Assembly	119B	690992	Screw, Phillips
9	690937	* Gasket, Breather	119C	690720	Screw, Phillips
10	691003	Screw, Hex	121	499811	Carburetor Overhaul Kit
11	690942	Tube, Breather	122	690952	Spacer, Carburetor
12	690945	* Gasket, Crankcase	125	499804	Carburetor
13	690360	Screw, Cylinder Head (3-9/16")	130	690993	Valve, Throttle
15	690946	Plug, Oil Drain	131	499805	Shaft, Throttle
16	691046	Crankshaft	133	499806	Float, Carburetor
20	690947	* Seal, Oil	135	499803	Tube, Fuel Transfer
22	690308	Screw, Crankcase Cover	137	690994	◇ Gasket, Float Bowl
23	691053	Flywheel	141	499807	Shaft, Choke
24	690974	Key, Flywheel	142	499808	• Nozzle, Carburetor
25	499588	Piston Assembly (Std.)	146	94388	Key, Timing
	499589	Piston Assembly (.010" O.S.)	150	281767	◇ Gasket, Nozzle
	499590	Piston Assembly (.020" O.S.)	160	690996	Retainer, Solenoid
	499591	Piston Assembly (.030" O.S.)	163	691001	∅* Gasket, Air Cleaner
26	499604	Ring Set, Piston (Std.)	176	691033	Screw, T-30
	499605	Ring Set, Piston (.010" O.S.)	187	691050	Line, Fuel
	499606	Ring Set, Piston (.020" O.S.)			(Cut To Required Length)
	499607	Ring Set, Piston (.030" O.S.)	187A	691049	Line, Fuel
27	690975	Lock, Piston Pin	188	691058	Screw, Hex
28	499582	Pin Assembly, Piston	190	690953	Screw, Torx Hex
29	499583	Rod Assembly, Connecting	192	690083	Adjuster, Rocker Arm
32	690976	Screw, Connecting Rod	195	690954	Nipple, Oil Filter
33	499596	Valve, Exhaust	209	690018	Spring, Governor
34	499597	Valve, Intake	211	690019	Spring, Governed Idle
35	690963	Spring, Valve	212	691020	Link, Throttle
40	690964	Retainer, Valve	213	691021	Bracket, Choke Control
42	499586	Keeper Valve	216	691022	Link, Choke
45	690977	Tappet, Valve	219	394348	Gear, Governor
46	690978	Gear, Cam	220	690412	Washer, Thrust
50	690948	Manifold, Intake	222	691023	Plate, Governor Control
51	690949	*∅ Gasket, Carb. Mounting	227	691048	Lever Assembly, Governor
51A	690950	*• Gasket, Intake Manifold			RPM Settings:
53	690951	Stud, Carb. Mounting			Low: 1750-1950
73	691055	Screen, Rotating			High: 3200-3400
75	691056	Washer, Spring			
78	691057	Screw, Torx			
87	690657	* Seal, Governor Shaft			
89	690238	Plug, Oil			
95	690718	Screw, Slotted			
98	499802	Screw, Idle Speed			
102	690234	◇ Gasket, Plate			
104	690984	• Pin, Float Hinge			
105	690985	• Valve, Needle			
108	690986	Valve, Choke			
110	691261	Washer			

NOTE: All component dimensions given in U.S. inches
1 inch = 25.4 mm

REPAIR PARTS

TRACTOR - - MODEL NUMBER 917.258360

BRIGGS AND STRATTON ENGINE - MODEL NUMBER 407777, TYPE NUMBER 0120-E1

KEY PART NO.	NO.	DESCRIPTION	KEY PART NO.	NO.	DESCRIPTION
240	691035	Filter, Fuel	823	690960	Screw, Hex
252	690956	Element, Breather	847	499602	Dipstick/Tube Assembly
256	690957	Retainer, Element	851	691234	Terminal, Ignition Cable
258	691003	Screw, Hex	855	691011	Adapter, Air
265	691024	Clamp, Casing	865	691012	Cover, Air Guide
277	691029	Nut, Hex	865A	691013	Cover, Air Guide
304	691004	Housing, Blower	865B	691015	Cover, Air Guide
305	691005	Screw, Hex	868	690968	*Ø Seal, Valve
309	691262	Motor, Starter	871	690969	Bushing, Guide
310	691263	Screw, Hex	878	691237	Wire, Alternator
311	691264	Brush Set	881	690999	Plate, Cover
332	690059	Nut, Flywheel	883	690970	*Ø Gasket, Exhaust
333	691060	Armature, Magneto	918	691040	Hose, Vacuum
334	691061	Screw, Armature Mounting	947	499809	Solenoid, Fuel
337	691043	Spark Plug	965	499613	Cover, Oil Pump
351	691044	Screw, Hex	967	691016	Filter, Pre-Cleaner
355	690997	*Ø Washer, Seal	968	499788	Cover, Air Cleaner
358	499889	Gasket Set	975	499810	Bowl, Float
363	691062	Flywheel, Puller	977	499812	Gasket Set, Carburetor
383	690966	Wrench, Spark Plug	987	691000	*Ø Seal, Throttle Shaft
387	691034	Pump, Fuel	1005	691243	Fan, Flywheel
445	691007	Cartridge, Air Cleaner	1006	691247	Retainer, Fan
467	691008	Nut, Air Cleaner	1017	690770	Screen, Oil Pump
474	691063	Alternator	1019	690103	Label Kit
482	691183	Screw, Hex	1022	690971	*Ø Gasket, Rocker Cover
510	497606	Drive, Starter	1023	499599	Cover, Rocker (Cyl. No. 1)
523	691036	Dipstick, Oil	1023A	499600	Cover, Rocker (Cyl. No. 2)
525	691037	Tube, Oil Fill	1024	499054	Pump, Oil
544		Armature, Starter (Service with 499529 Starter Motor)	1026	690981	Rod, Push (Steel)
552	690552	Bushing, Governor Crank	1026A	690982	Rod, Push (Aluminum)
552A	690553	Bushing, Governor Crank	1027	690041	Filter, Oil
556	690967	Screw, Hex	1029	690972	Arm, Rocker
562	690311	Bolt, Carriage	1033	499890	Valve Overhaul Kit
573	691009	Plate, Block	1035	691042	Shaft, Oil Pump
592	690958	Nut, Hex	1036	499783	Label Kit, Emission
592A	691029	Nut, Hex	1058	273694	Owner's Manual
601	691038	Clamp, Fuel Line	1090	691293	Retainer, Brush
615	690328	Retainer, Governor	1100	690973	Pivot, Rocker Arm
615A	690317	Retainer, Governor	2500	407777,0027	Replacement Engine
615B	691265	Retainer	2500	— —	Short Block
616	691045	Crank, Governor			RPM Settings: Low: 1750-1950 High: 3200-3400
633	690998	*Ø Seal, Choke Shaft			
634	690442	Washer, Flat			
635	691210	Boot, Spark Plug			
668	691215	Spacer			
703	690010	Clip, Hose			
718	690959	Dowel, Sleeve			
726	499612	Gear, Ring			
728	690372	Screw, Torx®			
741	690980	Gear, Timing			
783	691280	Gear, Starter			
788	691039	Bracket, Pump			
789	691220	Harness, Wiring			
801	691283	Cap, Drive			
802	691286	Cap, End			
803		Housing, Starter (Service with 499529 Starter Motor)			

- * Included in Gasket Set, Part Number 499889
- Included in Carburetor Lit, Part Number 499811
- ◇ Included in Carburetor Gasket Set, Part Number 499890
- Ø Included in Valve Overhaul Gasket Set, Part Number 499890

NOTE: All component dimensions given in U.S. inches
1 inch = 25.4 mm