



REPAIR PARTS MANUAL

MODEL NO. 258380

Lawn Tractor

29/50"

CRAFTSMAN®

HOW TO USE THIS MANUAL

This manual is designed to provide the customer with a means to identify the parts on his/her tractor when ordering repair parts. The illustrations may or may not represent the actual assemblies; therefore, it is not recommended to use this manual as a guide to assemble or disassemble the tractor. Some hardware and parts are drawn larger in order to more readily identify them.

Each tractor has its own model number.

The model number for your tractor can be found on the fender under the seat.

When ordering parts, always give the following information:

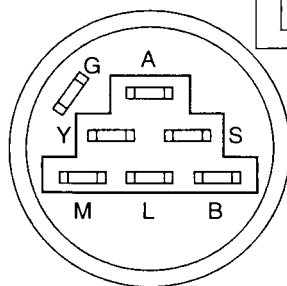
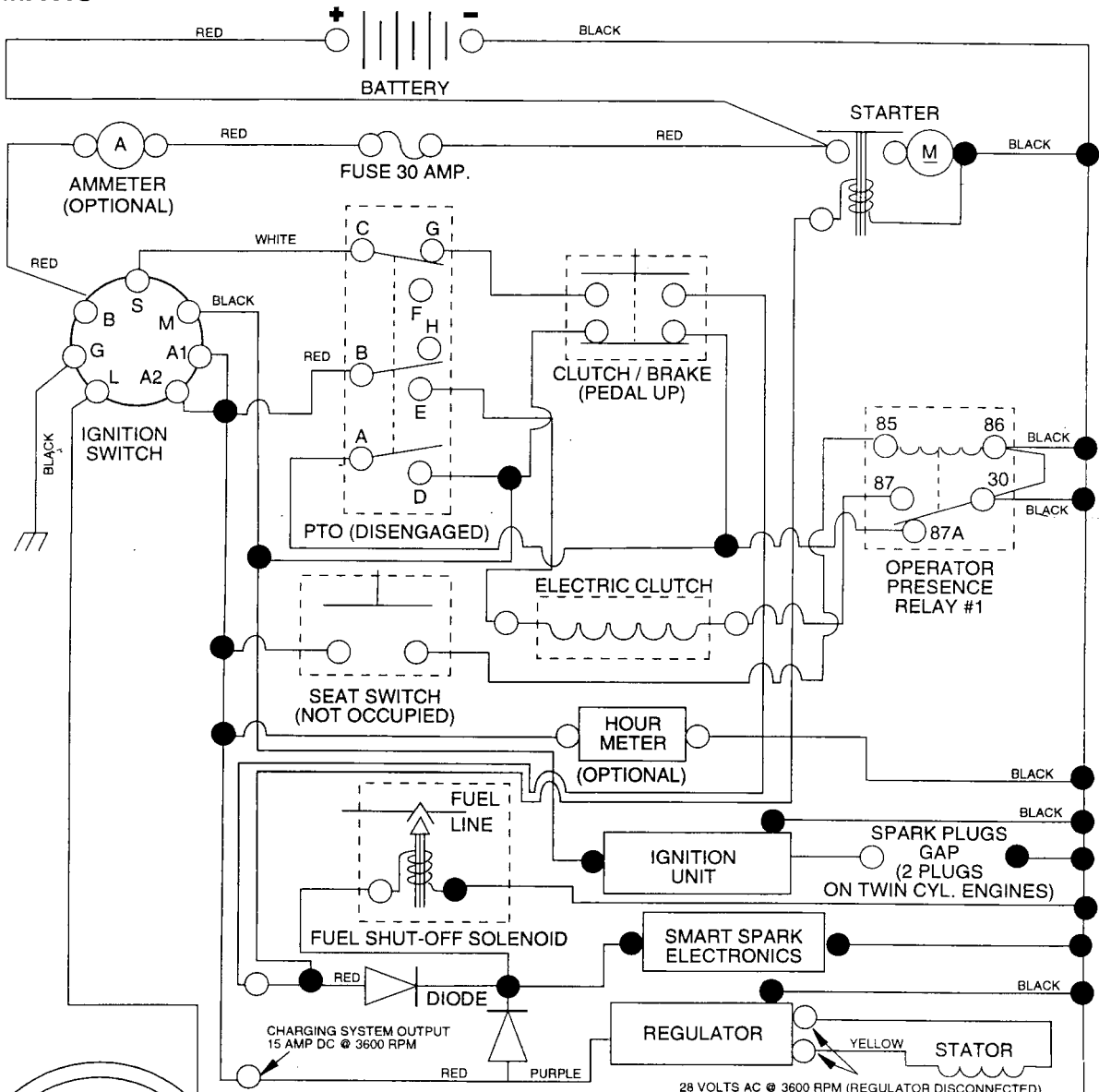
- Product - "Tractor"
- Model Number - "258380"
- Part Number
- Part Description

TABLE OF CONTENTS

SCHEMATIC	3
ELECTRICAL	4-5
CHASSIS	6-7
DRIVE	8-9
STEERING WHEEL	10-11
SEAT	12
DECALS	13
ENGINE	14-15
MOWER LIFT LEVER	16-17
MOWER DECK	18-19
TRANSAXLE	20-22

TRACTOR - - MODEL NUMBER 917.258380

SCHEMATIC

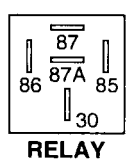


IGNITION SWITCH

POSITION	CIRCUIT	"MAKE"
OFF	M + G + A1	NONE
ON + LIGHTS	B + A1	L + A2
ON	B + A1	NONE
START	B + A1 + S	NONE

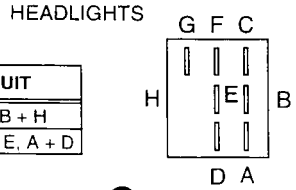
WIRING: INSULATED CLIPS
NOTE: IF WIRING INSULATED CLIPS WERE REMOVED FOR SERVICING OF UNIT, THEY SHOULD BE REPLACED TO PROPERLY SECURE YOUR WIRING.

NOTE
 YOUR TRACTOR IS EQUIPPED WITH A SPECIAL ALTERNATOR SYSTEM. THE LIGHTS ARE NOT CONNECTED TO THE BATTERY, BUT HAVE THEIR OWN ELECTRICAL SOURCE. BECAUSE OF THIS, THE BRIGHTNESS OF THE LIGHTS WILL CHANGE WITH ENGINE SPEED. AT IDLE THE LIGHTS WILL DIM. AS THE ENGINE IS SPEEDED UP, THE LIGHTS WILL BECOME THEIR BRIGHTEST.

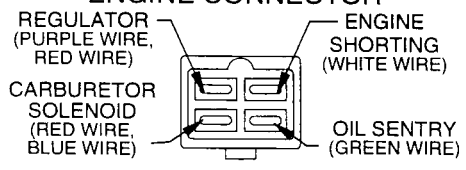


RELAY

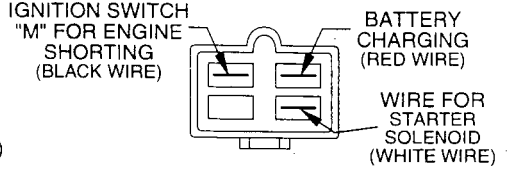
PTO SWITCH	
POSITION	CIRCUIT
OFF	C + G, B + H
ON	C + F, B + E, A + D



ENGINE CONNECTOR



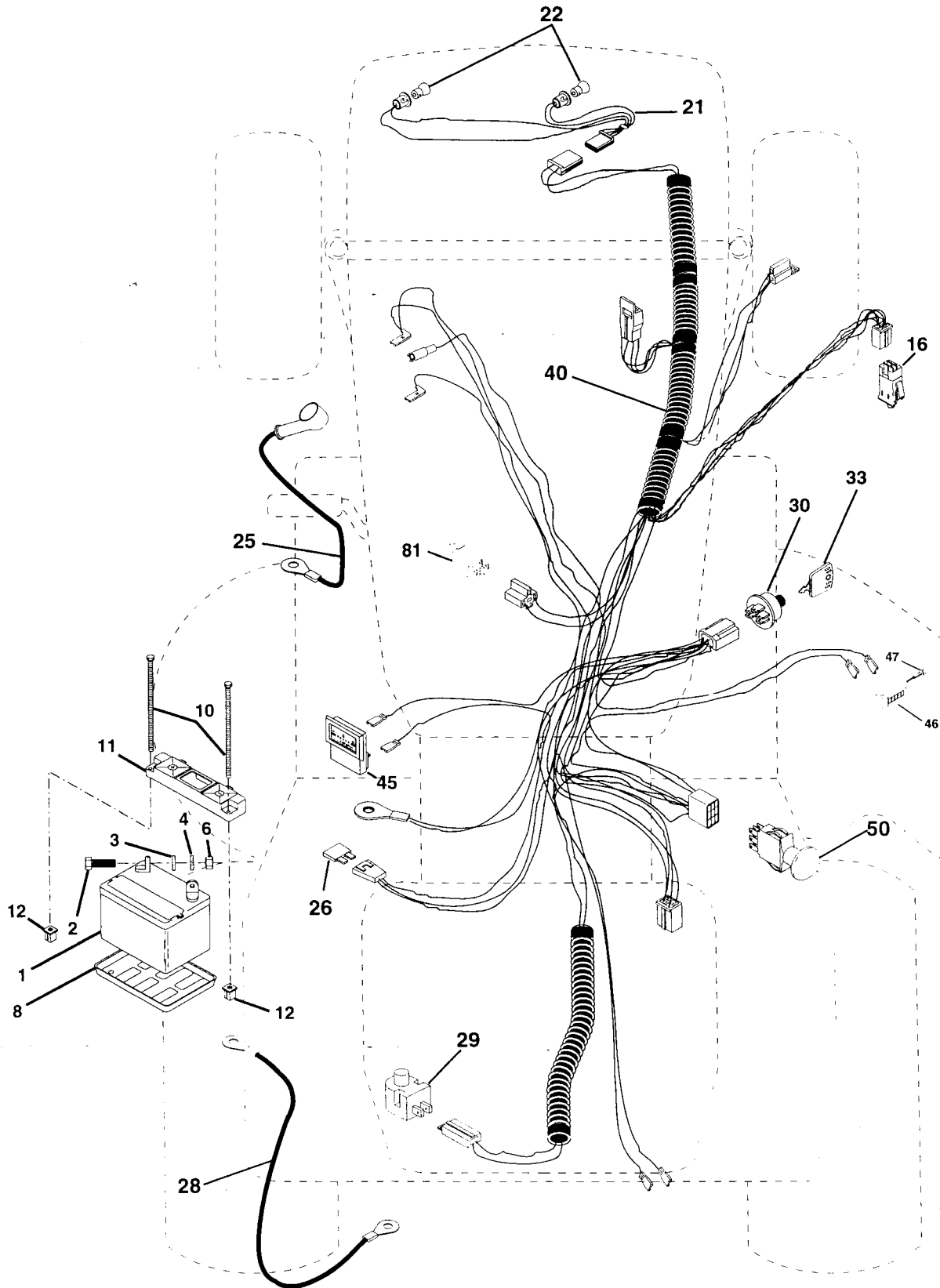
TRACTOR CONNECTOR



REPAIR PARTS

TRACTOR - - MODEL NUMBER 917.258380

ELECTRICAL



REPAIR PARTS

TRACTOR - - MODEL NUMBER 917.258380

ELECTRICAL

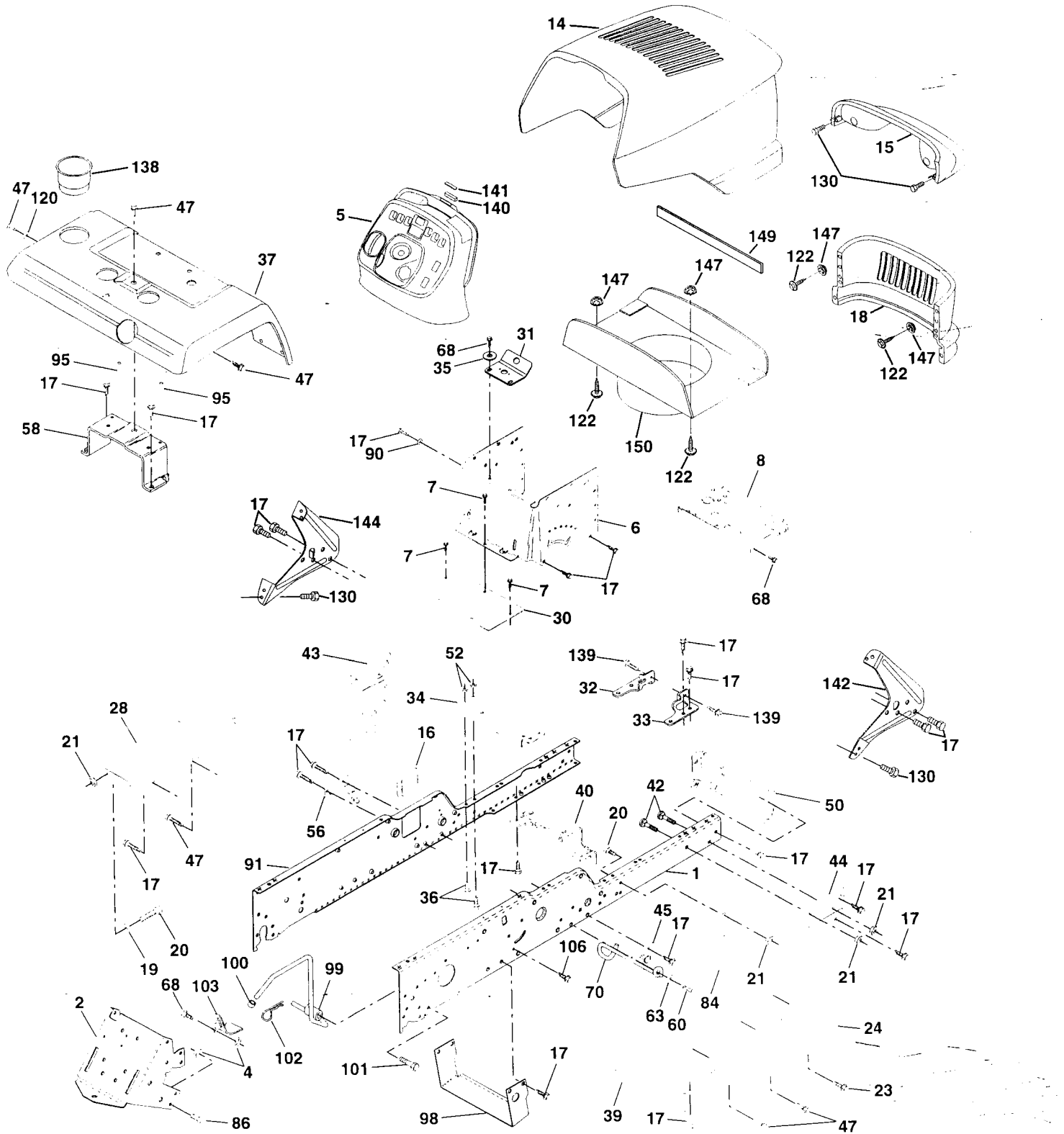
KEY NO.	PART NO.	DESCRIPTION
1	144927	Battery
2	74760412	Bolt, Hex Head 1/4-20 x 3/4
3	STD551025	Washer 9/32 x 5/8 x 16 Ga.
4	STD551125	Washer, Lock 1/4
6	STD541025	Nut, Fin, Hex 1/4-20
8	7603J	Tray, Battery
10	145211	Bolt, btr, Frt 1/4-20 x 7.5 Zinc
11	150109	Hold down Battery Front Mount
12	145769	Nut, Push, Nylon 1/4"
16	153664	Switch, Interlock Push-In
21	161785	Harness, Headlight
22	4152J	Bulb, Light
25	154335	Cable/Boot Asm CV25 W/16 WI
26	108824X	Fuse
28	157899	Cable, Ground
29	160784	Switch, Plunger Normal OP Olive
30	163968	Switch, Ign
33	140403X	Key
40	164099	Harness, Ignition
45	122822X	Ammeter
47	164881	Screw Pn Hd #6 x 3/8 Plastite
50	145693	Switch, PTO
81	109748X	Relay Asm.

NOTE: All component dimensions given in U.S. inches
1 inch = 25.4 mm

REPAIR PARTS

TRACTOR -- MODEL NUMBER 917.258380

CHASSIS AND ENCLOSURES



REPAIR PARTS

TRACTOR - - MODEL NUMBER 917.258380

CHASSIS AND ENCLOSURES

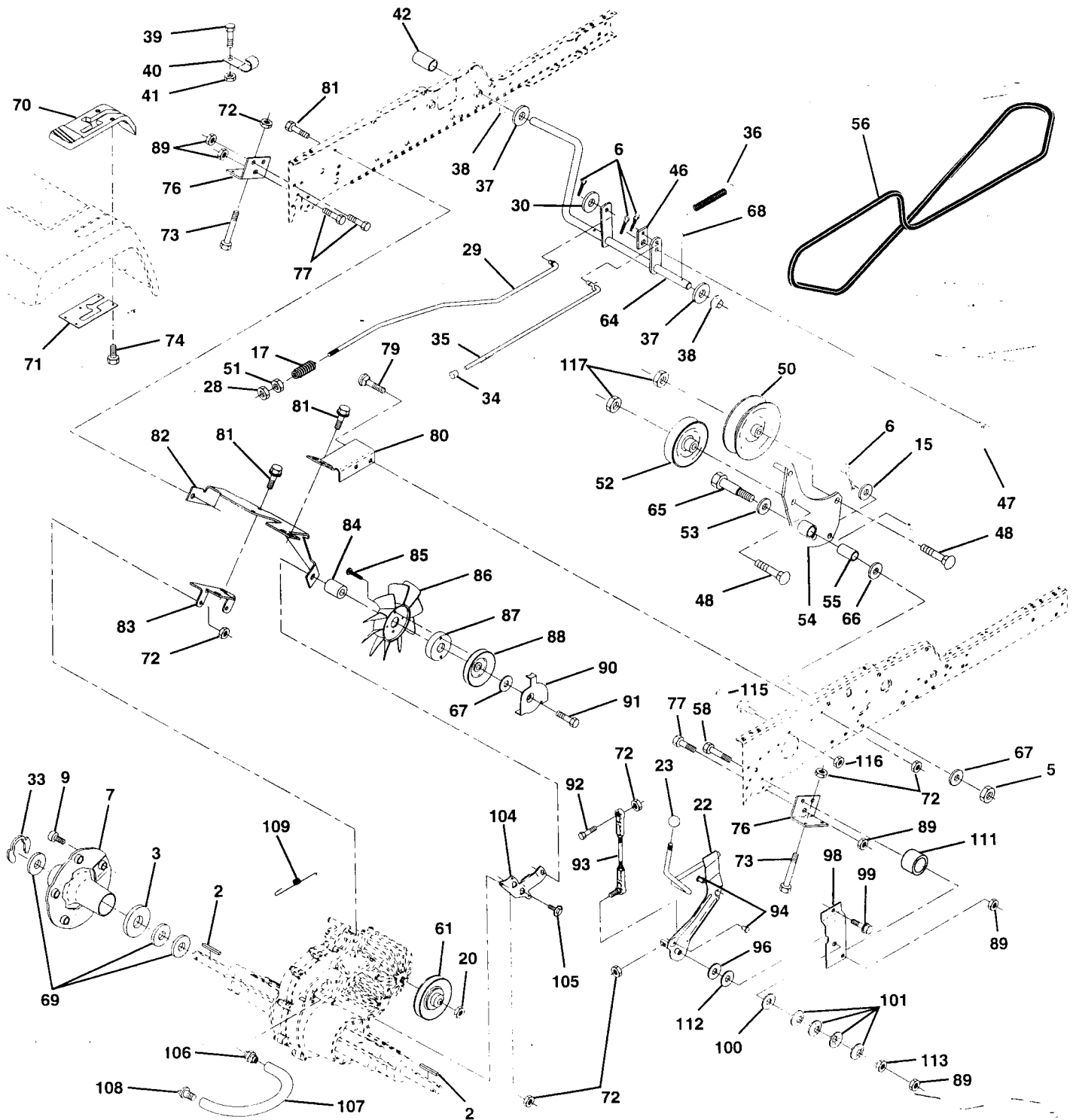
KEY NO.	PART NO.	DESCRIPTION	KEY NO.	PART NO.	DESCRIPTION
1	150253	Rail, Frame RH	50	152728	Bracket, Chassis Front
2	140506	Drawbar, Gt	52	STD541431	Nut, Crownlock 5/16-18
4	73800700	Nut, Lock Hex 7/16 Unc	56	154914	Bracket Asm., Susp Chassis Lh
5	163976	Dash, YTGT 2Cyl	58	137113	Bracket Asm., Fender
6	157882	Dash Asm., Lower	60	17490620	Screw Thdrol 3/8-16 x 1-1/4
7	17720408	Screw, Thd Cut 1/4-20 x 1/2	63	19131614	Washer 13/32 x 1 x 14-Ga.
8	145166	Support, Battery	68	17490508	Screw, Thd 5/16-18 x 1/2
14	161023X558	Hood Asm., Pnt	70	137159	Guide, Belt Mid Span
15	160568	Lens, Asm Headlight Bar	84	142992	Stop, Over Center Mower
16	121794X	Cover, Access	86	74760716	Bolt, Fin Hex 7/16-14 Unc x 1
17	17490612	Screw, Thdrol 3/8-16 x 3/4	90	11050600	Washer, Lock External Tooth 3/8
18	160564X558	Grille	91	156586	Rail, Frame Lh
19	19131312	Washer 13/32 x 13/16 x 12 Ga.	95	105531X	Push Nut, Nylon
20	STD523710	Bolt, Fin Hex 3/8-16 x 1	98	140503	Bracket Skid Chassis
21	STD541437	Nut, Crownlock 3/8-16 Unc	99	140871	Rod By Pass
23	17490616	Screw Thdrol 3/8-16 x 1 TY-TT	100	124236X	Cap By Pass Rod
24	145243X558	Footrest, RH	101	17490628	Screw Thdrol 3/8-16 x 1-3/4
28	145244X558	Footrest, LH	102	STD624003	Retainer, Spring
30	145052	Saddle, Hydro 1995	103	142273	Lock, By Pass
31	161419	Bracket Supt 1-pc VGT Steering	106	138776	Bolt 5/16-18 Type TT
32	161327	Bracket Pivot Chassis Lh	120	19131616	Washer 13/32 x 1 x 16 Ga.
33	161326	Bracket Pivot Chassis Rh	122	161464	Screw Hex Wsh 8-18 x 7/8
34	142131	Bracket, Engine Support Rear	130	17521312	Screw SLTD Hex Hd w/PLN
35	19111116	Washer 11/32 x 11/16 x 16 Ga.			Washer
36	74780512	Bolt, Fin Hex 5/16-18 x 3/4	138	163975	Cupholder YTGT
37	163982X558	Fender, Pnt.	139	161330	Bolt Shoulder 5/16 - 18 TT
39	136961	Bracket, Axle Front	140	163806	Magnet YTGT
40	156111	Bracket, Support Axle/Engine	141	163805	Striker Plate YTGT
42	STD533710	Bolt, Carriage 3/8-16 x 1	142	161897	Bracket Dash Rh
43	136939	Bracket, Spnsn Front Lh	144	161900	Bracket Dash Lh
44	136940	Bracket, Spnsn Front Rh	147	162967	Fastner Nutpal
45	154913	Bracket Asm., Susp Chassis Rh	149	164679	Pinch Welt Hood
47	17490608	Screw Thdrol 3/8-16 x 1/2	150	161237	Duct Heat Hot

NOTE: All component dimensions given in U.S. inches
1 inch = 25.4 mm

REPAIR PARTS

TRACTOR - - MODEL NUMBER 917.258380

DRIVE



REPAIR PARTS

TRACTOR - - MODEL NUMBER 917.258380

DRIVE

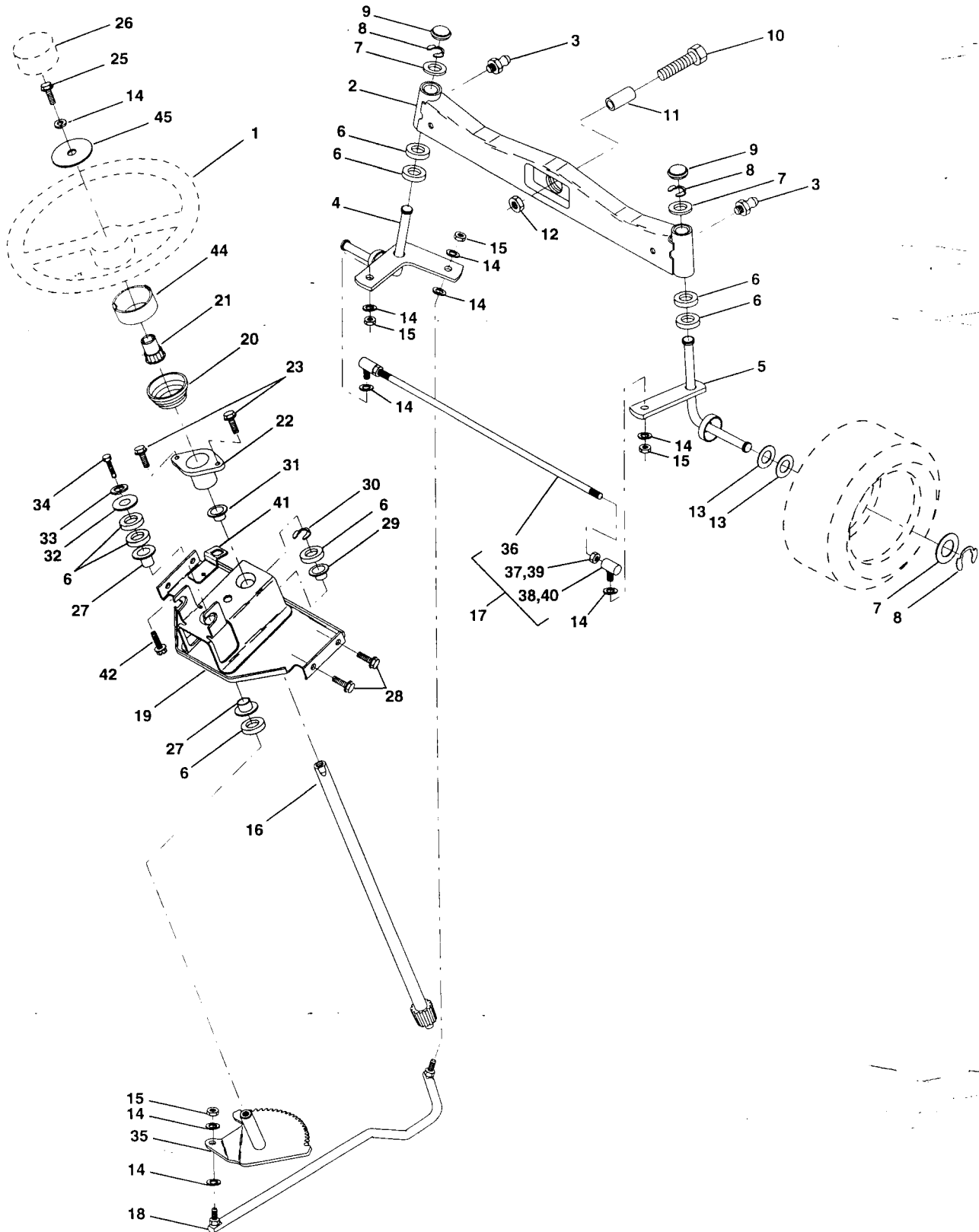
KEY NO.	PART NO.	DESCRIPTION	KEY NO.	PART NO.	DESCRIPTION
2	7070E	Key 1/4 x 2.5	72	STD541431	Locknut Hex W/Washer Insert
3	7563R	Washer Thrust Axle Harden	73	74490548	Bolt Hex FLGHD 5/16-18 x 3 Gr.5
5	STD541437	Nut Crownlock 3/8-16	74	142432	Screw Hex Wsh. Hi-Lo 1/4-1/2
6	STD561210	Pin Cotter 1/8 x 3/4	76	140481	Bracket Transaxle
7	140507	Wheel Hub Asm.	77	74760716	Bolt Fin Hex 7/16-14 x 1
9	140080	Bolt Hub	79	STD533106	Bolt Carriage 5/16-18 x 5/8
15	STD551037	Washer 13/32 x 13/16 x 16 Ga	80	140484	Bracket Torque RH
17	140921	Spring Rod Brake	81	17490612	Screw Thdrol 3/8-16 x 3/4
20	STD541350	Nut Hex Jam Toplock 1/2-20	82	150586	Bracket Mount Torque/Fan
22	156103	Shift Arm Asm	83	140479	Strap Torque Mid
23	130564	Knob	84	140490	Spacer
28	STD541237	Nut	85	17541020	Screw #10-24 x 1-1/4
29	140494	Brake Rod	86	140462	Fan 7" Hydro
30	STD551037	Washer 13/32 x 1 x 16 Ga.	87	140491	Adapter Fan
33	12000053	Ring E	88	161592	Pulley Idler V-Groove Flange
34	124236X	Cap Plunger	89	73680700	Nut Crownlock 7/16-14 UNC
35	137648	Rod Parking Brake	90	140489	Keeper Belt
36	149412	Spring Drive Ground	91	17490644	Screw Thdrol 3/8-16 x 2-3/4
37	121749X	Washer 25/32 x 1-1/4 x 16 Gauge	92	74760520	Bolt Fin Hex 5/16-18 x 1.25
38	150035	Nyliner, Bushing	93	140502	Link Shift Asm
39	STD511010	Screw Fin #10-24 x 1	94	133835	Fastner Christmas Tree
40	5304J	Actuator Interlock Switch	96	141103	Washer Nickel Plated
41	STD541410	Nut Lock #10-24	98	141004	Bracket Shift
42	8883R	Cover Pedal	99	17490624	Screw Thdrol 3/8-16 x 1-1/2
46	145170	Retainer Spring	100	126881X	Washer Compression
47	138228	Clutch Rod	101	156106	Washer Bellville
48	72110612	Bolt Carriage 3/8-16 x 1-1/2 Gr 5	104	140480	Bracket Idler
50	131494	Pulley Idler Flat	105	17580408	Screw Tap 1/4-20 x 1/2
51	STD541437	Nut Crownlock 3/8-16 UNC	106	142918	O-Ring Asm Hydro Gear 70110
52	139123	Pulley Idler Grooved	107	154739	Line Fuel Hydro 15" VGT Serv
53	207J	Washer Hardened	108	142917	Cap Asm Vent Hydro Gear 70109
54	161590	Idler Clutch 98 Arm Asm	109	140929	Spring Return Brake
55	105706X	Bearing, Idler	111	156240	Spacer Shift Lever VGTH
56	140218	V-Belt	112	156104	Washer Nylon High Temp
58	74760724	Bolt Fin Hex 7/16-14 x 1-1/2	113	73220700	Nut Hex ASF 7/16-14 UNC
61	140488	Pulley Transaxle	115	123405X	Keeper Belt T/A Gnd Dr LR
64	145752	Shaft Asm Brake Parking Clutch	116	73900500	Nut Lock Hex Flange 5/16-18
65	67609	Bolt Shoulder	117	73900600	Nut Lock Flg. 3/8-16 UNC
66	140296	Washer Hardened	--	163198	Transaxle Hydro
67	19131312	Washer 13/32 x 13/16 x 12 Ga			
68	STD571812	Pin Roll			
69	123800X	Washer			
70	151146	Console Hydro Fender			
71	151179	Plate Console Shift			

NOTE: All component dimensions given in U.S. inches
1 inch = 25.4 mm

REPAIR PARTS

TRACTOR - - MODEL NUMBER 917.258380

STEERING ASSEMBLY



REPAIR PARTS

TRACTOR - - MODEL NUMBER 917.258380

STEERING ASSEMBLY

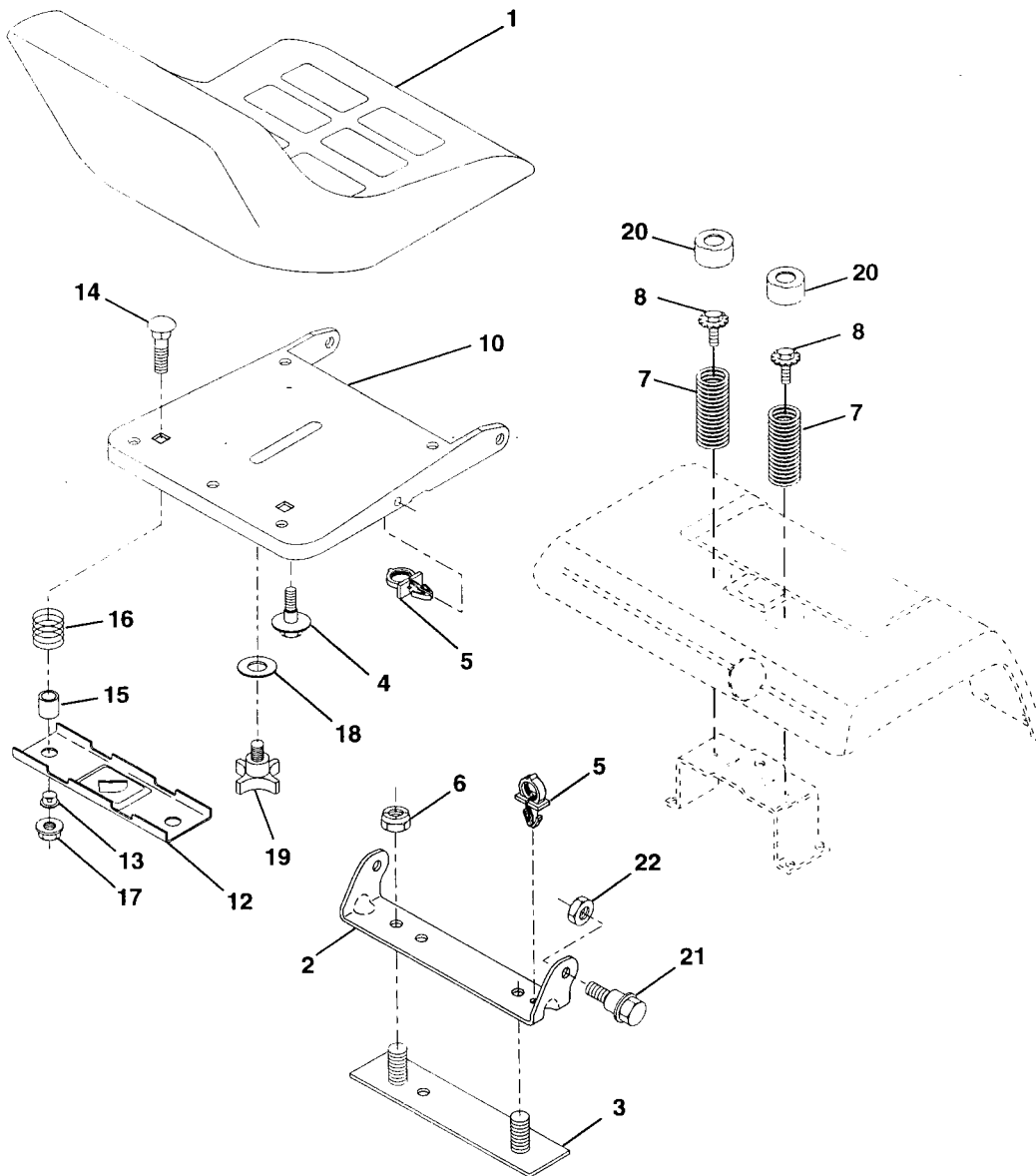
KEY NO.	PART NO.	DESCRIPTION
1	159944	Wheel, Steering
2	137094	Axle Asm., Front
3	6855M	Fitting, Grease
4	161849	Spindle Asm, LH
5	161848	Spindle Asm., RH
6	6266H	Bearing, Race Thrust Harden
7	121748X	Washer 25/32 x 1-5/8 x 16 Ga.
8	12000029	Ring, Klip #T5304-75
9	121232X	Cap, Spindle
10	74781044	Bolt, Fin Hex 5/8-11 x 2-3/4
11	136518	Spacer, Brg. Axle Front
12	73901000	Nut, Lock Flange 5/8-11 Unc
13	121749X	Washer 25/32 x 1-1/4 x 16 Ga.
14	STD551137	Washer, Lock Hvy Hlcl Spr 3/8
15	STD541537	Nut Lock Center 3/8-24 UNF
16	145103	Shaft Asm., Steering
17	137347	Rod Asm., Tie Ball J Ball Vgt (Inc. Key No. 36-40)
18	137155	Draglink, Ball Joint Solid Vgt
19	156011	Support Asm., Steering Vgt
20	163887	Boot Steering Stealth GTYT
21	159945	Adapter, Wheel Steering
22	155105	Bushing, Strg.
23	152927	Screw
25	STD523710	Bolt, Fin Hex 3/8-16 x 1 Gr. 5
26	159946	Insert Cap Strg Wh
27	3366R	Bearing, Col. Strg.
28	17490612	Screw thdrol 3/8-16 x 3/4 TY-TT
29	104239X	Bearing, Flange
30	12000034	Ring, Klip Truarc #5304-75
31	138136	Bushing, Nyliner Snap
32	19111610	Washer 11/32 x 1 x 10 Ga.
33	STD551131	Washer, Lock Hvy Hlcl Spr 5/16
34	STD523107	Bolt, Hex Hd 5/16-18 x 3/4
35	138059	Gear, Sector Steering
36	137156	Tie Rod
37	73360600	Jam Nut RH Thread
38	109850X	Joint Asm. Ball RH Thread
39	73700600	Jam Nut LH Thread
40	109851X	Joint Asm. Ball LH Thread
41	155246	Bracket Switch Interlock VGT 97
42	17490508	Screw Thdrol. 5/16-18 x 1/2 TYT
44	160135	Extension Steering Premium
45	19132411	Washer 13/32 x 1-1/20 x 11 Ga.

NOTE: All component dimensions given in U.S. inches
1 inch = 25.4 mm

REPAIR PARTS

TRACTOR - - MODEL NUMBER 917.258380

SEAT ASSEMBLY



KEY NO.	PART NO.	DESCRIPTION
1	140124	Seat
2	140551	Bracket, Pivot Seat
3	140675	Strap, Fender Asm.
4	127018X	Bolt, Shoulder 5/16-18 x .62
5	145006	Clip, Push-In Hinged
6	STD541437	Nut, Crownlock 3/8-16
7	124181X	Spring, Seat Cprsn.
8	150176	Bolt 5/16-18 UNC x 3/4 w/Sems
10	155925	Pan, Seat
12	121246X	Bracket, Mounting Switch
13	121248X	Bushing, Snap

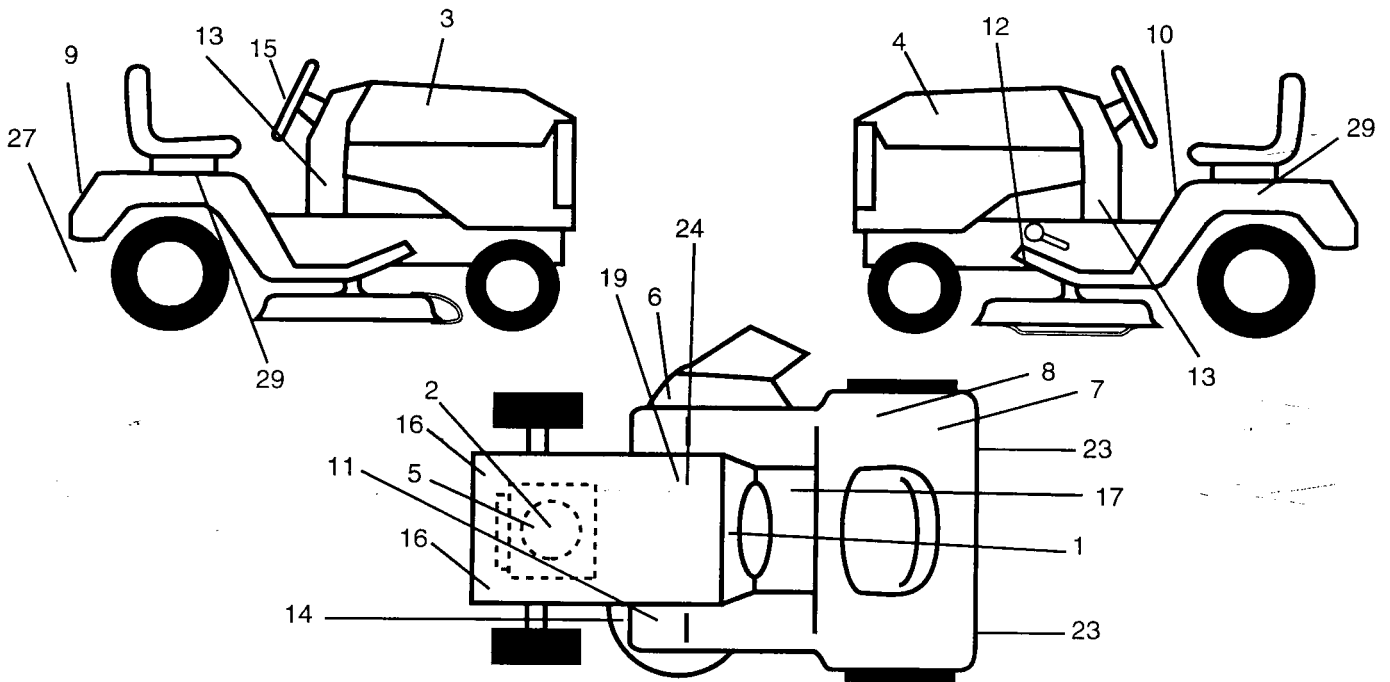
KEY NO.	PART NO.	DESCRIPTION
14	72050412	Bolt, Carriage 1/4-20 x 1-1/2
15	121249X	Spacer, Split
16	123740X	Spring, Cprsn.
17	123976X	Nut, Lock 1/4 Lg. Flg. Gr. 5
18	19171912	Washer 17/32 x 1-3/16 x 12-Ga.
19	120068X	Knob, Seat
20	124238X	Cap, Spring Seat Blk
21	153236	Bolt 5/16-18
22	STD541431	Nut, Crownlock 5/16-18

NOTE: All component dimensions given in U.S. inches
1 inch = 25.4 mm

REPAIR PARTS

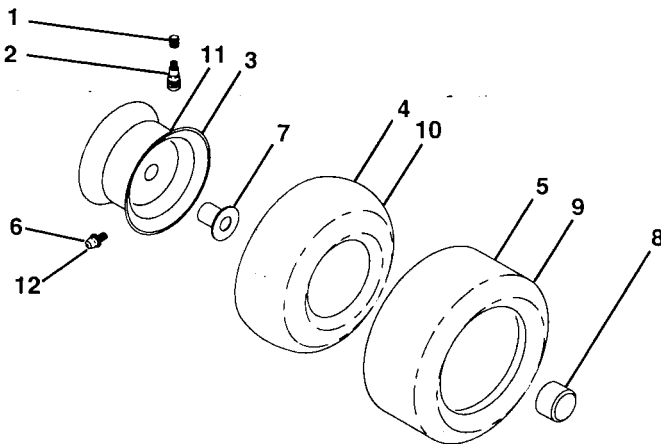
TRACTOR -- MODEL NUMBER 917.258380

DECALS



KEY NO.	PART NO.	DESCRIPTION	KEY NO.	PART NO.	DESCRIPTION
1	164656	Decal, Dash	14	160397	Decal, V-Belt Schematic
2	164754	Decal, Eng Sm Srs Koh Pro 24 VTW	15	164065	Decal, Steering Wheel
3	163916	Decal, Hood, Craftsman, RH	16	159736	Decal, Chassis Hot Muffler
4	163917	Decal, Hood, Craftsman, LH	17	140837	Decal, Saddle Brake Parking
5	164884	Decal, Blower Hsng Kohl	19	138047	Decal, Battery
6	145494	Decal, Mower, Cutfinger Symbol	23	106202X	Reflector, Taillight
7	125027X	Decal, 105 DBA	24	145005	Decal, Btry Dngr/Psn
8	145437	Decal, Europe Stand CE	27	142342	Decal, Drawbar
9	163204	Decal, Fender, Craftsman	29	163223	Decal, Fender Auto Trans
10	145498	Decal, Read Owners Manual Sym	--	138311	Decal, Handle Lift (Lift Handle)
11	159737	Decal, Clutch/Brake	--	157199	Pad Frest R Br Sq Craftsman 95
12	146790	Decal, V-Belt Drive Schematic	--	164665	Manual, Operator's (European)
13	163267	Decal, Dash Panel	--	164667	Manual, Parts

WHEELS & TIRES



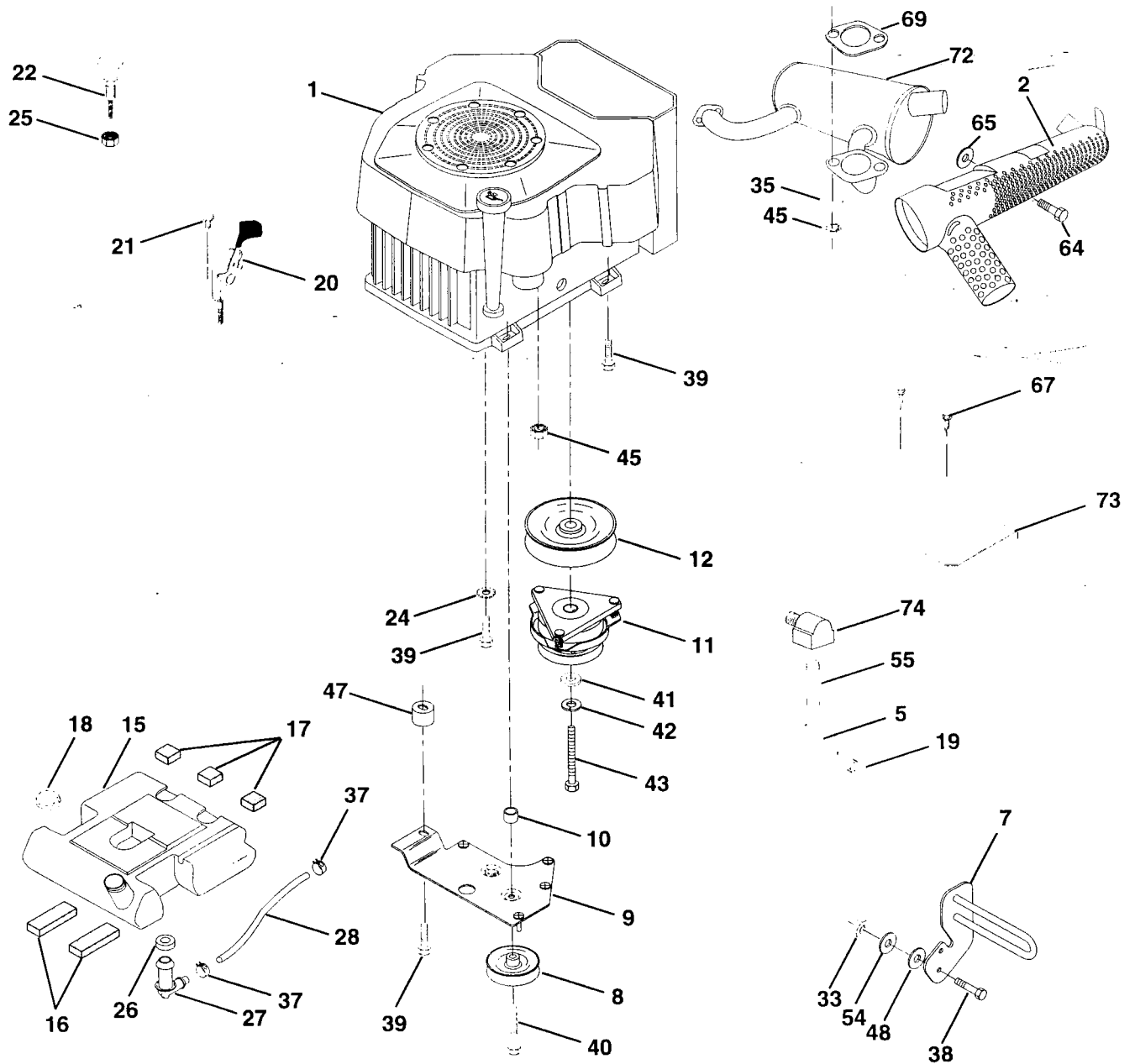
KEY NO.	PART NO.	DESCRIPTION
1	59192	Cap, Valve, Tire
2	65139	Stem, Valve
3	148736X427	Rim Assembly, Front
4	8134H	Tube, Front (Service Item Only)
5	148741	Tire, Front
6	278H	Fitting, Grease (Front Wheel Only)
7	9040H	Bearing, Flange (Front Wheel Only)
8	104757X	Cap, Axle (Front Wheel Only)
9	151607	Tire, Rear
10	7154J	Tube, Rear (Service Item Only)
11	148738X427	Rim Assembly, Rear
12	6856M	Fitting, Grease
--	144334	Sealant, Tire (10 oz. Tube)

NOTE: All component dimensions given in U.S. inches
1 inch = 25.4 mm

REPAIR PARTS

TRACTOR -- MODEL NUMBER 917.258380

ENGINE



29
SPARK ARRESTER KIT

REPAIR PARTS

TRACTOR - - MODEL NUMBER 917.258380

ENGINE

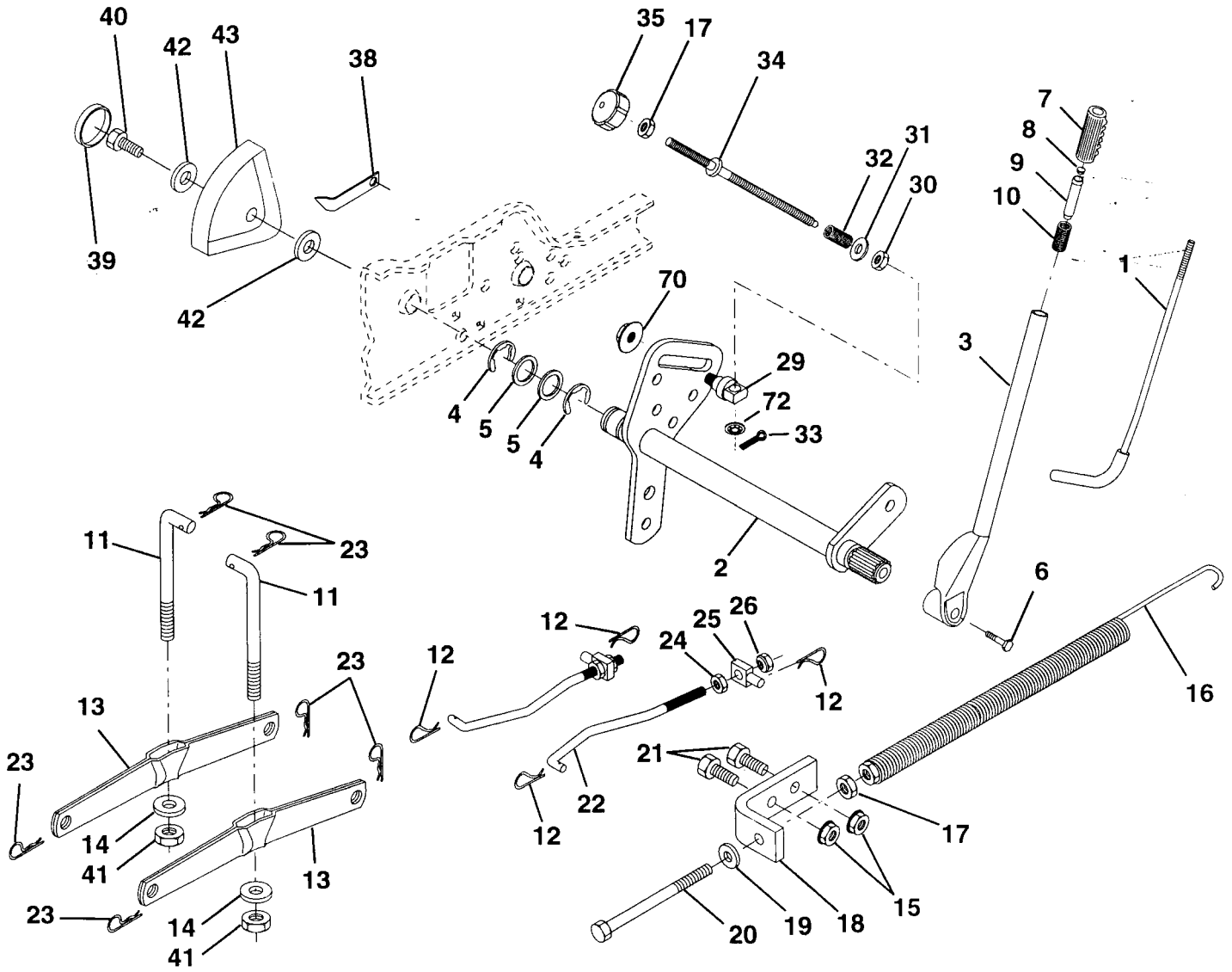
KEY NO.	PART NO.	DESCRIPTION
1	-----	Engine (See Breakdown) Kohler Model CV26S-69526
2	150249	Muffler VGT Side Mount 25HP
5	13200300	Elbow STD 90 Degree 3/8 - 18 NPT
7	151396	Muffler Asm Guard
8	121361X	Pulley V-Idler
9	150828	Keeper Asm Belt Engine VGT 96
10	105432X	Bushing
11	140923	Clutch Electric
12	143996	Pulley Engine VGT Elect Clutch
15	151346	Tank Fuel Rear 3.50 YT/GT 96
16	109227X	Pad Spacer
17	106082X	Pad Spacer
18	161493	Cap Asm Fuel W/Gauge
19	13290300	Plug Oil Drain (Order From Engine Manufacturer)
20	164409	Control Throttle
21	17521312	Screw SLTD Hex Hd w/PLN Washer
22	164416	Control Choke
24	STD551237	Lockwasher Ext Tooth 3/8
25	73920600	Nut Keps 3/8 - 24 UNF
26	3645J	Bushing
27	139277	Stem Tank Fuel
28	7834R	Fuel Line
29	132920	Spark Arrester Kit
33	STD551437	Nut Lock Hex w/Ins. 3/8 - 16
35	10010500	Washer Split
37	123487X	Clamp Hose
38	74780624	Bolt Fin Hex 3/8 - 16 x 1-1/2
39	17490636	Screw TT 3/8-16 x 2-1/4 Unc
40	17490664	Screw TT 3/8-16 x 4
41	126197X	Washer 1-1/2 OD X 15/32 ID X .250
42	STD551143	Washer Lock 7/16
43	150280	Bolt Hex 7/16 - 20 X 4 - 1/4 Ga 5
47	142040	Spacer Engine
48	19132007	Washer 13/32 x 1-1/4 x 7 Ga.
54	19131414	Washer Flat 13/32 x 7/8 x 14 Ga.
55	13280336	Nipple Pipe 4-1/2"
65	19131614	Washer 13/32 x 1 x 14 Ga.
67	17490512	Screw Thdrol 5/16-18 x 3/4
69	24-041-02	Gasket Kohler CV18-CV26
72	150250	Muffler Pre CV25
73	153992	Shield Heat Muf Koh 25 VGT
74	162295	Elbow Street Brass
76	17490612	Screw Thdrol 3/8-16 x 3/4 TY-TT
80	M73030800	Nut Flange M8-1.25 Non-Lk Zinc

NOTE: All component dimensions given in U.S. inches
1 inch = 25.4 mm

REPAIR PARTS

TRACTOR -- MODEL NUMBER 917.258380

MOWER LIFT



REPAIR PARTS

TRACTOR - - MODEL NUMBER 917.258380

MOWER LIFT

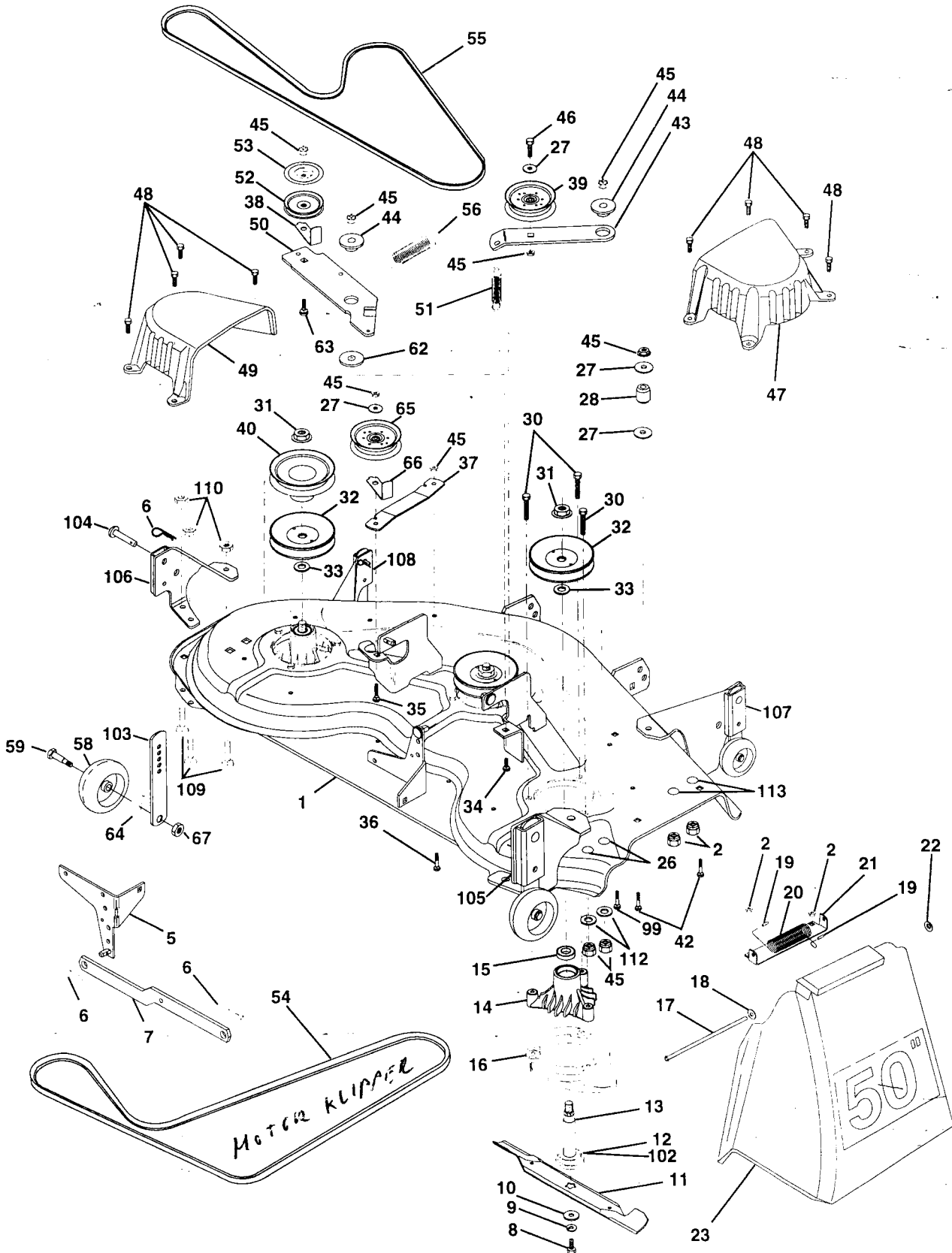
KEY NO.	PART NO.	DESCRIPTION
1	121006X	Rod Asm., Lever
2	159187	Shaft Asm., Lift Vgt
3	159189	Lever Asm., Lift Rh
4	12000022	E-Ring Truarc #5133-87
5	19292016	Washer 29/32 x 1-1/4 x 16 Ga.
6	74780624	Bolt, Fin Hex 3/8-16 x 1-1/2
7	125631X	Grip, Handle Fluted
8	122365X	Button, Plunger
9	122364X	Plunger, Lever Lift
10	2876H	Spring 2-1/8"
11	146704	Link Lift
12	163552	Retainer, Spring
13	139868	Arm, Suspension Vgt
14	140302	Bearing, Pvt. Lift Spherical
15	STD541437	Nut, Crownlock 3/8-16 Unc
16	674A247	Spring Asm., Assist Lift
17	STD541237	Nut, Hex Jam 3/8-16 Unc
18	143363	Bracket, Spring Assist
19	STD551037	Washer 13/32 x 13/16 x 16 Ga.
20	5328J	Bolt, Adjust Spring Assist
21	STD523710	Bolt, Fin Hex 3/8-16 x 1
22	127218	Link, Front
23	STD624008	Retainer, Spring
24	73350800	Nut, Jam Hex 1/2-13 Unc
25	130171	Trunnion
26	73680800	Nut, Crownlock 1/2-13
29	150233	Trunnion Inf. Height
30	110807X	Nut, Special
31	STD551037	Washer 13/32 x 5/8 x 16 Ga.
32	137150	Spring, Compression Inf Hgt
33	STD560907	Pin, Cotter 3/32 x 1/2
34	137167	Rod, Adj Lift
35	138057	Knob, Inf 3/8-16 Unc
38	155097	Pointer, Height Indicator
39	123935X	Plug, Hole
40	17490512	Screw Thdrol 5/16-18 x 3/4
41	73540600	Nut, Crownlock 3/8-24
42	19112410	Washer 11/32 x 1-1/2 x 10 Ga.
43	123934X	Scale, Indicator Height
70	145212	Nut, Hexflange Lock
72	110452X	Nut Push Phos. & Oil

NOTE: All component dimensions given in U.S. inches
1 inch = 25.4 mm

REPAIR PARTS

TRACTOR - - MODEL NUMBER 917.258380

MOWER DECK



REPAIR PARTS

TRACTOR - - MODEL NUMBER 917.258380

MOWER DECK

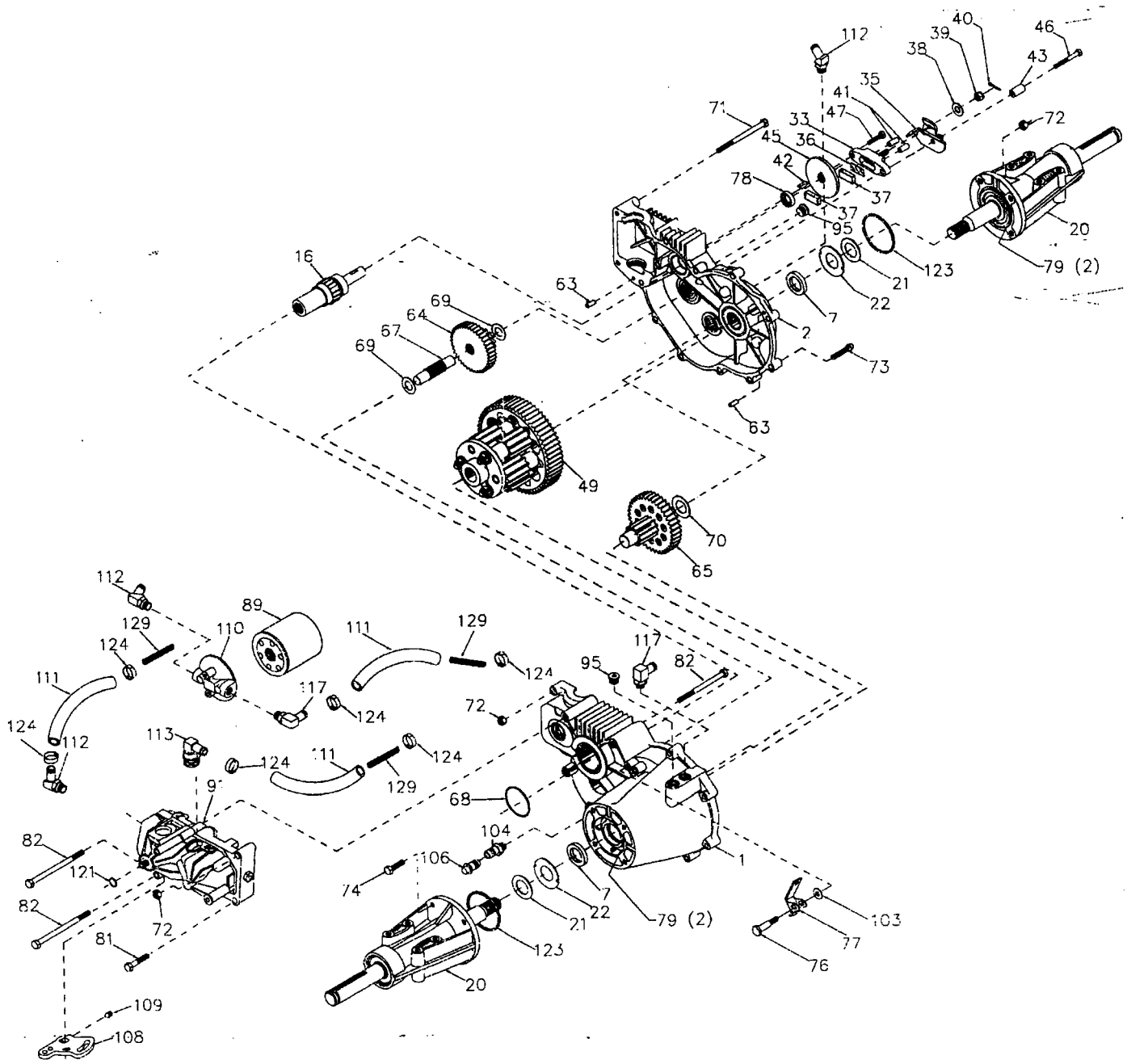
KEY NO.	PART NO.	DESCRIPTION	KEY NO.	PART NO.	DESCRIPTION
1	156990	Deck Asm., Mower 50" Vented	46	74760628	Bolt, Fin Hex 3/8-16 Unc x 1-3/4
2	STD541431	Nut, Crownlock 5/16-18	47	137200	Cover, Mandrel RH
5	138457	Bracket Asm., Sway Bar	48	137729	Screw, Thd Roll 1/4-20 x 5/8
6	STD624008	Retainer, Spring	49	136574	Cover, Mandrel LH
7	130832	Arm Suspension, Rear	50	137272	Arm, Idler Primary
8	850857	Bolt 3/8-24 x 1.25 Gr. 8 Patched	51	137273	Spring, Secondary
9	STD551137	Washer, Lock Hvy 3/8 Unplated	52	139245	Pulley, Idler V Groove
10	140296	Washer, Hard Blade Mower Vented	53	137789	Shield, Idler
11	137380	Blade (3 Required)	54	139573	V-Belt, Mower Primary
12	129895	Bearing, Ball #6204 (Mandrel)	55	144959	V-Belt, Mower Secondary
13	137553	Shaft Asm., W/Lower Brg (Includes Key No. 12)	56	138687	Spring, Primary
14	137152	Housing, Mandrel 50" Vent	58	133957	Wheel, Gauge
15	110485X	Bearing, Ball Mandrel	59	137644	Bolt, Shoulder
16	140329	Stripper, Mower Vented	62	133943	Washer Hardened
17	106735X	Rod, Hinge	63	72110612	Bolt Carriage 3/8-16 x 1-1/2
18	19111016	Washer 11/32 x 5/8 x 16 Ga.	64	19121414	Washer 3/8 x 7/8 x 14 Ga.
19	105304X	Spring, Torsion Deflector	65	151831	Pulley Idler Flat Mower
20	123713X	Spring, Torison Deflector	66	156009	Keeper, Belt Idler 50" Vent
21	137607	Bracket, Deflector	67	73930600	Nut, Center Lock 3/8-16
22	110452X	Nut, Push	99	STD533717	Bolt, Carriage 3/8-16 x 1-3/4 Gr. 5
23	110509X	Shield, Deflector Mower	102	153390	Washer Felt
26	STD533707	Bolt RDHD Sht SQNK 3/8-16 x 3/4	103	155986X505	Bar Pnt. Adjusting Wheel Gauge
27	STD551037	Washer 13/32 x 13/16 x 16 Ga.	104	156941	Pin Head Rivet
28	132823	Spacer, Spring Stop Idler	105	156852	Bracket Whl Ga. Asm. Rear Rh 50"
30	157722	Screw Thd Rolling Washer Head	106	156853	Bracket Whl Ga. Asm. Rear Lh 50"
31	137266	Nut, Flg Top Lock Cntr 9/16	107	156854	Bracket Whl Ga. Asm. Front Rh 50"
32	153535	Pulley, Mandrel	108	156856	Bracket Whl Ga. Asm. Front Lh 50"
33	129963	Washer, Spacer Mower Vented	109	72010505	Bolt Carriage 5/16-18 x 5/8
34	72140610	Bolt, Carriage 3/8-16 x 1-1/4	110	73980500	Nut Crownlock 5/16-18
35	72110616	Bolt, Carriage 3/8-16 x 2	112	19171216	Washer 17/32 x 3/4 x 16 Ga.
36	72110608	Bolt, Carriage 3/8-16 x 1 Gr. 5	113	72110504	Bolt Carr. 5/16 - UNC x 1/2
37	137166	Stiffener, Arm Idler	--	143651	Mandrel Asm (Includes Key Nos. 8-10, 12-15, 31 and 33)
38	156085	Keeper, Belt Idler	--	158325	Mower Asm Service (Std. Deck - Order separately all Nose Roller and all Gauge Wheel components)
39	131494	Pulley, Idler Flat			
40	136572	Pulley, Driven			
42	STD533107	Bolt, Carriage 5/16-18 Unc x 3/4			
43	136460	Arm, Idler Secondary			
44	122052X	Spacer, Retainer			
45	STD541431	Nut, Crownlock 3/8-16 Unc			

NOTE: All component dimensions given in U.S. inches
1 inch = 25.4 mm

REPAIR PARTS

TRACTOR - - MODEL NUMBER 917.258380

HYDRO GEAR TRANSAXLE - - MODEL NUMBER 222-3010



REPAIR PARTS

TRACTOR - - MODEL NUMBER 917.258380

HYDRO GEAR TRANSAXLE - - MODEL NUMBER 222-3010

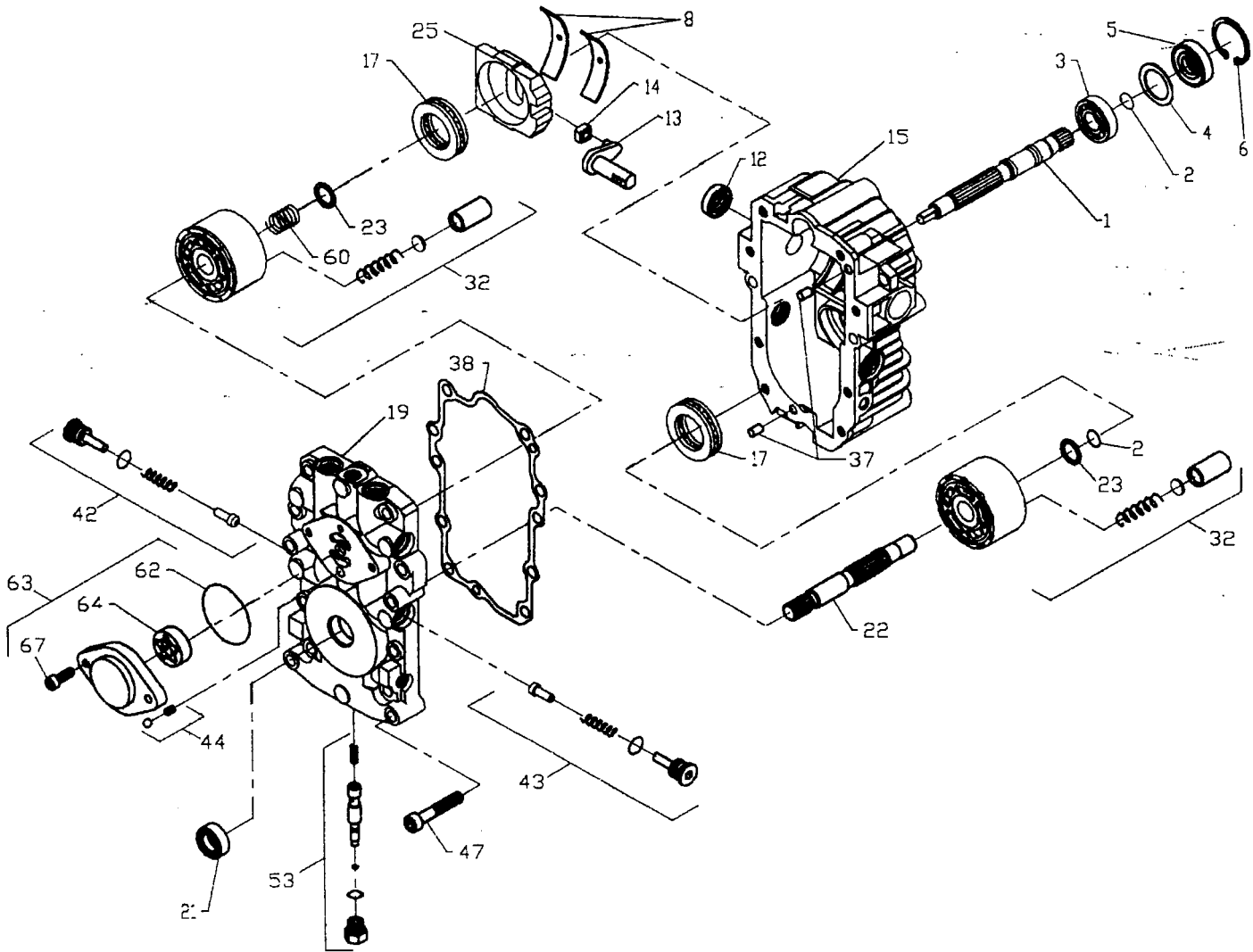
KEY PART NO. NO.	DESCRIPTION	KEY PART NO. NO.	DESCRIPTION
1 164591	Assembly, Housing, LH	72 153767	Locknut, Hex 5/16-18
2 164592	Assembly, Housing, RH	73 142904	Bolt, Hex 5/16-18 x 1-1/2
7 153765	Oil Seal .984 x 1.5 x .25	74 142905	Hex Cap Screw 5/16-18 x 1
16 142876	Brake Shaft Assembly	76 142907	Shoulder Bolt
20 142877	Axle Mounting Horn Assembly	77 142908	Freewheel Actuating Arm
21 142878	Washer 1.0 x 1.63 x .08	78 142909	Oil Seal .625 x 1.0 x .25
22 142879	Washer 1.0 x 2.06 x .09	79 153768	Grease (10 oz. Tube)
33 142929	Brake Yoke Assembly	81 142910	Bolt, Hex 5/16-18 x 1-3/4
35 142880	Brake Arm	82 142911	Bolt 5/16-18 x 4-1/2
36 142882	Puck Plate	89 142912	Filter, Spin On
37 142883	Brake Puck	91 153769	Pump, BDU-10L-122
38 142884	Washer 7/8 O.D. x 7/16 x .060	95 142914	Plug, Straight Thread
39 142885	Nut, Castle 5/16-24	96 153770	60° 7/18 SAE x 5/16 Fitting
40 142886	Cotter Pin	103 142916	Washer
41 142887	Brake Actuating Pin	104 142917	Vent Cap Assembly
42 142888	Hi Pro Key	106 142918	Fitting O-Ring Assembly
43 142889	Spacer	108 142919	Control Arm
45 142890	Brake Disc	109 142920	Set Screw
46 142891	Bolt 1/4-20 x 1-1/2	110 142921	Filter Head
47 142892	Bolt 1/4-20 x 1	111 150820	Hose 1/2"
49 153766	Differential Assembly	112 150823	Fitting, 1/2" Beaded 90° 7/8 SAE
63 142894	Dowel Pin	113 150821	Fitting, 1/2" Beaded 60° 9/16
64 150818	Reduction Gear, 14 Teeth to 38 Teeth	117 150822	Fitting, 1/2" Beaded 90° 9/16
65 142897	Final Drive Pinion Assembly	123 150824	O Ring
67 142898	Jackshaft	124 150825	Pinch Clamp
68 142899	O-Ring	129 153771	Spring, Long
69 142900	Washer 5/8 X 1-5/32		
70 142901	Washer 7/8 X 1-1/2		
71 142902	Bolt, Hex 5/16-18 x 3.5		

NOTE: All component dimensions given in U.S. inches
1 inch = 25.4 mm

REPAIR PARTS

TRACTOR - - MODEL NUMBER 917.258380

HYDRO GEAR PUMP - MODEL NUMBER BU-10L-122



**KEY PART
NO. NO.**

DESCRIPTION

**KEY PART
NO. NO.**

DESCRIPTION

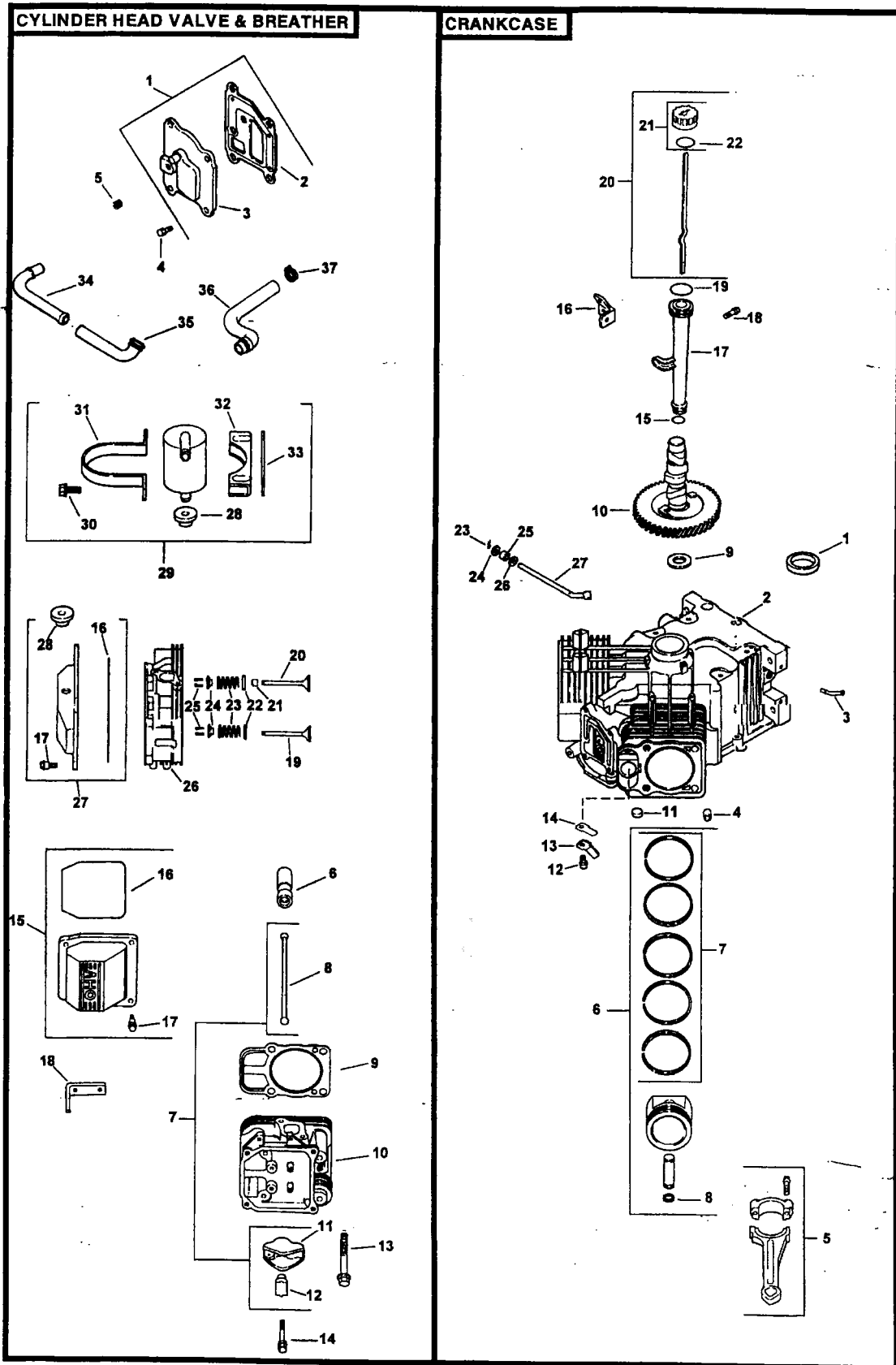
1	144569	Shaft, Pump
2	122716X	Ring, Retaining
3	122745X	Bearing, Ball
4	122715X	Spacer
5	122700X	Seal, Lip
6	122699X	Ring, Retaining
8	122767X	Bearing, Cradle
12	122717X	Seal, Lip
13	122748X	Arm, Trunnion
14	122749X	Guide, Slot
15	144571	Housing Kit, Transmission
17	122770X	Bearing, Thrust, Ball
19	153801	Center Section Kit
21	122722X	Seal, Lip
22	144573	Shaft, Motor
23	142978	Washer, Block Thrust

25	127148X	Swashplate, Variable
32	142938	Block Assembly
37	122786X	Pin, Stainless, Headless
38	122718X	Gasket, Center Section
42	144578	Check Valve Kit
43	144578	Check Valve Kit
44	144579	Charge Relief Kit
47	122752X	Screw, Socket Head, Cap
53	127153X	Bypass Valve Kit
60	142977	Block Spring
62	144581	O-Ring
63	144582	Charge Pump Kit
64	144583	Gerotor Assembly
67	144584	Screw, Socket Head, Cap
--	153769	Pump Assembly, Complete

REPAIR PARTS

TRACTOR - - MODEL NUMBER 917.258380

KOHLER ENGINE - MODEL NUMBER CV26S, TYPE NUMBER 69526



REPAIR PARTS

TRACTOR - - MODEL NUMBER 917.258380

KOHLER ENGINE - MODEL NUMBER CV26S, TYPE NUMBER 69526

HEAD/VALVE/BREATHER

KEY PART NO.	NO.	DESCRIPTION
1	24-033-03	Kit, breather cover w/gasket (Includes 2,3)
2	24-041-23	Gasket, breather
3	24-096-15	Cover, breather
4	M-0645020	Screw, hex. flange M6x1.0x20 (4)
5	X-75-23	Plug, allen hd. 1/8"
6	12-351-02	Lifter, valve (4)
7	24-755-66	Kit, valve train (Includes 8,11,12)
8	24-411-05	Rod, push (4)
9	24-041-32	Gasket, cylinder head (2)
10	24-318-18	Head assembly, #2 cylinder
11	25-186-01	Arm, rocker (4)
12	24-599-01	Pivot, rocker arm (4)
13	M-0640034	Screw, hex. flange M6x1.0x34 (4)
14	12-086-16	Screw, hex. flange M10x1.5x90 (8)
15	24-755-74	Kit, valve cover - plain (Includes 16,17)
16	24-153-16	O-Ring
17	24-086-32	Screw, shoulder (4)
18	24-445-01	Strap, lifting
19	24-016-01	Valve, exhaust (Std.) (2)
	24-016-02	Valve, exhaust (.25) (2)
20	24-017-01	Valve, intake (Std.) (2)
	24-017-02	Valve, intake (.25) (2)
21	24-032-05	Seal, valve stem (2)
22	235011	Retainer, spring (4)
23	24-089-02	Spring, valve (4)
24	12-173-01	Cap, valve spring (4)
25	12-755-03	Kit, retainer (4)
26	24-318-17	Head assembly, #1 cylinder
27	24-755-76	Kit, valve cover - breather (Incl. 16,17,28)
28	25-313-02	Grommet, rubber (2)
29	24-755-57	Kit, breather separator (Includes 28,30-33)
30	M-0545016	Screw, hex.flange M5x0.8x16 (2)
31	24-445-02	Strap, breather
32	24-126-44	Bracket, breather separator
33	24-112-12	Spacer
34	24-294-06	Fitting
35	24-326-13	Hose, breather
36	24-326-14	Hose, breather
37	X-426-9	Clamp, hose (2)

CRANKCASE

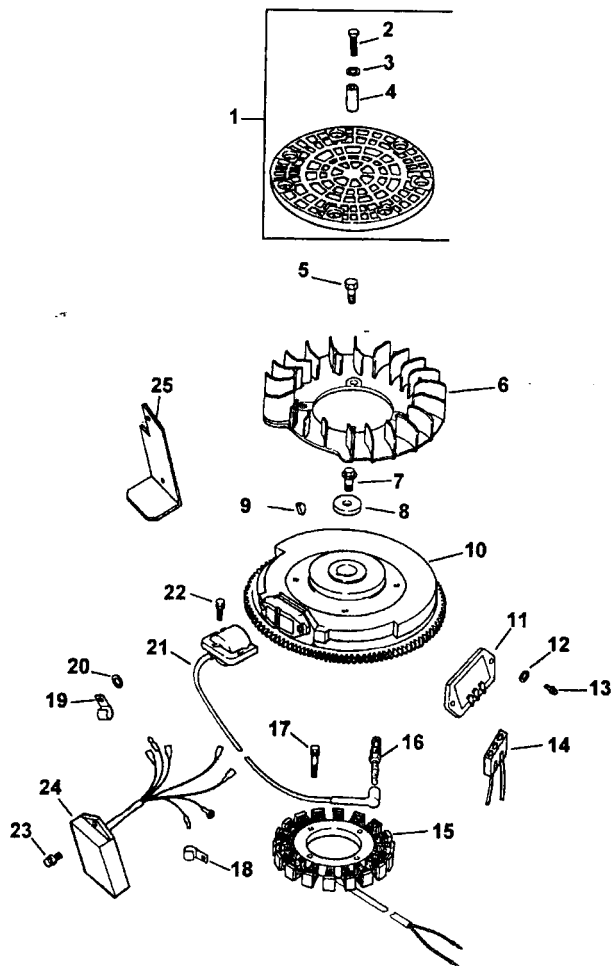
KEY PART NO.	NO.	DESCRIPTION
1	24-032-01	Seal, oil front
2	Crankcase (USE: Miniblock)	
3	24-294-13	Fitting
4	12-380-17	Pin, dowel locating (6)
5	24-067-13	Connecting Rod (Std.) (2)
	24-067-14	Connecting Rod (.25) (2)
6	24-874-08	Piston w/Ring Set (Std.) (2) (Includes 7,8)
7	24-108-05	Ring Set (Std.) (2)
8	24-018-01	Retainer, piston pin (2)
9	12-422-09	Shim, camshaft (A.R.)
	12-422-13	Shim, camshaft (A.R.)
	12-422-07	Shim, camshaft (A.R.)
	12-422-08	Shim, camshaft (A.R.)
	12-422-10	Shim, camshaft
	12-422-11	Shim, camshaft (A.R.)
	12-422-12	Shim, camshaft (A.R.)
10	24-012-05	Camshaft
11	52-139-09	Plug, cup
12	M-0545010	Screw, hex. flange M5x0.8x10 (2)
13	24-018-04	Retainer, reed (2)
14	24-402-05	Reed, breather (2)
15	12-153-01	O-Ring, lower oil fill tube
16	24-126-19	Bracket, oil fill tube
17	12-123-04	Tube, oil fill
18	M-0545016	Screw, hex. flange M5x0.8x16
19	12-153-02	O-Ring, upper oil fill tube
20	24-038-04	Dipstick assembly (Includes 21,22)
21	24-755-46	Kit, oil fill cap (Includes 22)
22	12-153-03	O-Ring, dipstick
23	12-380-04	Pin, hitch
24	M-0631005	Washer, plain 6 mm
25	12-032-01	Seal, governor cross shaft
26	X-25-102	Washer, plain 1/4"
27	24-144-01	Shaft, governor cross

REPAIR PARTS

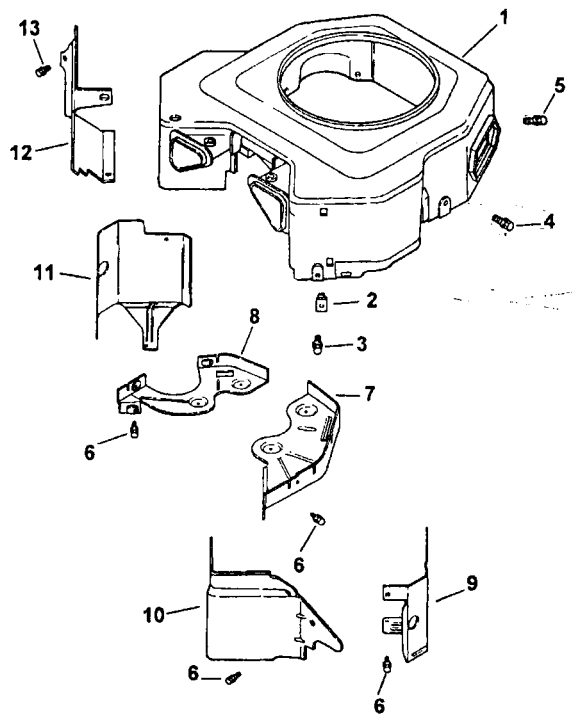
TRACTOR - - MODEL NUMBER 917.258380

KOHLER ENGINE - MODEL NUMBER CV26S, TYPE NUMBER 69526

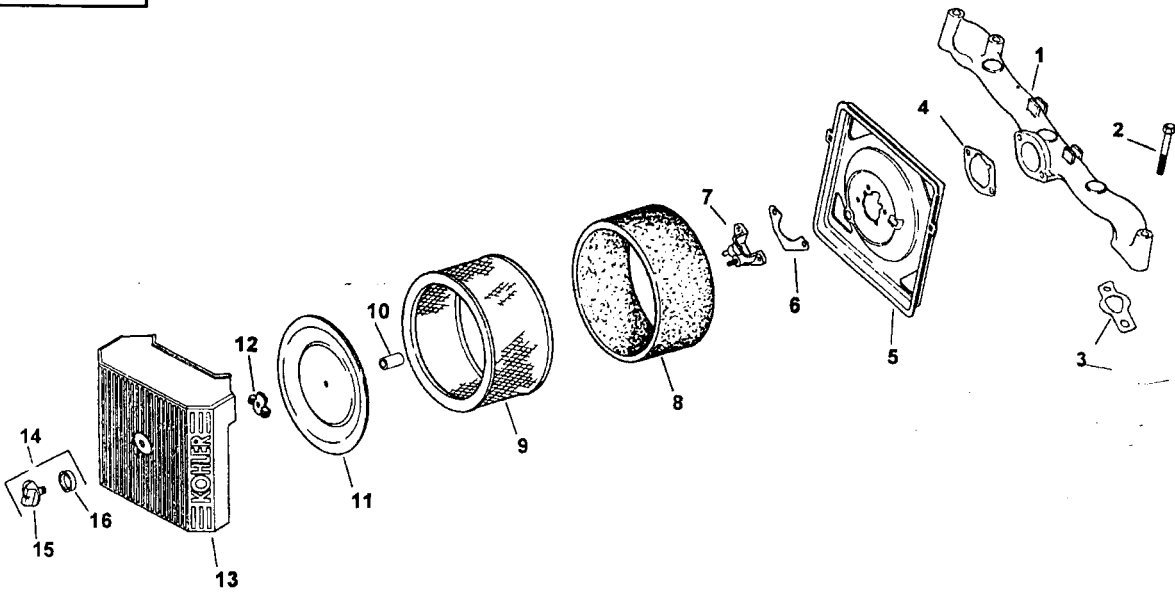
IGNITION / ELECTRICAL



BLOWER HOUSING AND BAFFLES



AIR INTAKE



REPAIR PARTS

TRACTOR - - MODEL NUMBER 917.258380

KOHLER ENGINE - MODEL NUMBER CV26S, TYPE NUMBER 69526

IGNITION/CHARGING

KEY PART NO. NO.	DESCRIPTION
1 54-755-15	Kit, grass screen (Includes 2-4, and 24 113 18)
2 M-0403025	Screw, hex. cap M4x0.7x25 (4)
3 X-25-92	Washer, plain 5/16" (4)
4 24-112-04	Spacer, grass screen (4)
5 25-086-47	Bolt, shoulder (4)
6 24-157-03	Fan
7 12-086-14	Screw, hex. flange M10x1.5x46
8 12-468-03	Washer, plain 3/8"
9 X-42-15	Key
10 24-025-08	Flywheel
11 25-403-03	Rectifier-regulator
12 X-25-92	Washer, plain 3/16" (2)
13 24-086-18	Screw, phillips hd. 11-16x7/8 (2)
14 236602	Connector (3 contact)
15 54-755-09	Kit, 15 amp stator (Includes 24 126 71)
16 12-132-06	Spark Plug (2)
17 M-0548025	Screw, hex. cap M5x0.8x25 (2)
18 48-154-02	Clip, cable
19 47-154-01	Clip, cable
20 X-25-63	Washer, plain 1/4"
21 24-584-11	Module, ignition (2)
22 M-0561025	Screw, thread forming M5x0.8x25 (4)
23 M-0448010	Screw, hex. flange M4x0.7x10 (2)
24 24-584-09	Module, speed advance
25 24-063-27	Baffle, heat shield
NOT ILLUSTRATED	
24-126-71	Bracket, stator wire
X-25-63	Washer, plain 1/4"
24-176-27	Harness, wiring
25-518-28	Lead, black (rect.-reg. 4" - 18 gauge - insulated grip barrel eyelets)
X-22-11	Washer, lock 1/4"
24-113-18	Decal, grass screen

BLOWER HOUSING & BAFFLES

KEY PART NO. NO.	DESCRIPTION
1 54-027-95	Housing, blower (Incl. M-0545010 & 24 063.36)
2 24-100-02	Nut, plastic (2)
3 M-0545020	Screw, hex. flange M5x0.8x20 (2)
4 M-0545016	Screw, hex. flange M5x0.8x16 (4)
5 M-0551016	Screw, hex. flange M5x0.8x16
6 M-0645016	Screw, hex. flange M6x1.0x16 (6)
7 24-146-11	Plate, backing - # 2 side
8 24-146-08	Plate, backing - # 1 side
9 24-063-39	Baffle, cylinder barrel-# 2 side
10 24-063-14	Baffle, valley - #2 side
11 24-063-31	Baffle, cylinder barrel-# 1 side
12 24-063-23	Baffle, valley - #1 side
13 M-0545010	Screw, hex. flange M5x0.8x10 (2)
NOT ILLUSTRATED	
24-063-36	Baffle, blower housing
M-0545010	Screw, hex. flange M5x0.8x10 (2)
	Cover, control N/A
24-086-06	Screw, phillips hd. 11-16x3/4" (2)

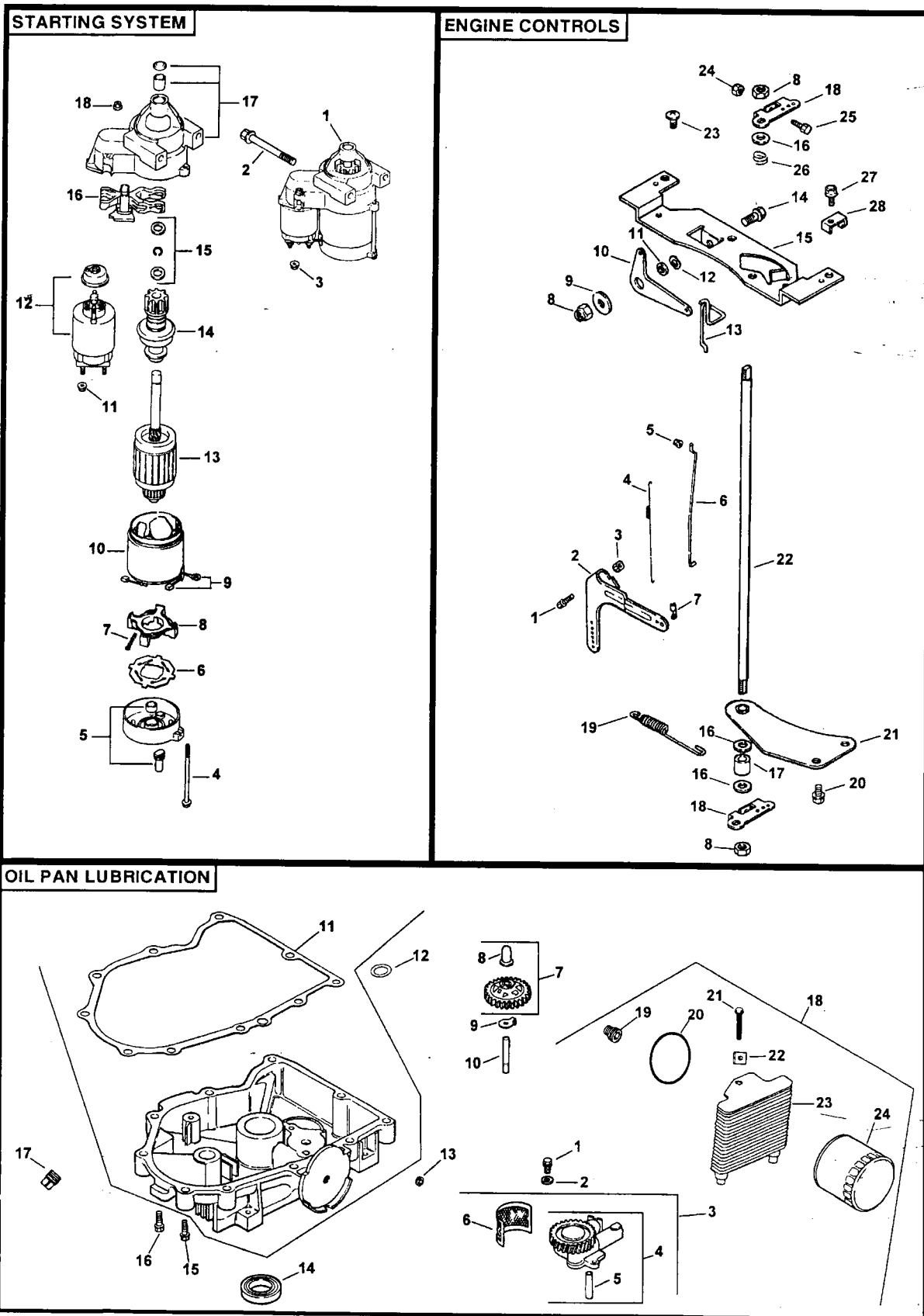
AIR INTAKE/FILTRATION

KEY PART NO. NO.	DESCRIPTION
1 24-164-06	Manifold, intake
2 M-0651055	Screw, hex. flange M6x1.0x55 (4)
3 24-041-01	Gasket, intake manifold (2)
4 24-041-14	Gasket, air cleaner base
5 24-094-13	Base, air cleaner
6 24-041-13	Gasket, fuel spitback cup
7 24-109-05	Cup, fuel spitback
8 24-083-05	Precleaner, element
9 24-083-03	Element, air cleaner
10 230046	Seal, breather
11 24-096-01	Cover, inner air cleaner
12 12-100-01	Wing Nut
13 24-096-65	Cover, air cleaner
14 54-755-01	Kit, knob with seal (Includes 15 & 16)
15 24-153-15	O-Ring
16 25-341-03	Knob, cover
NOT ILLUSTRATED	
12-113-53	Decal, air cleaner

REPAIR PARTS

TRACTOR - - MODEL NUMBER 917.258380

KOHLER ENGINE - MODEL NUMBER CV26S, TYPE NUMBER 69526



REPAIR PARTS

TRACTOR - - MODEL NUMBER 917.258380

KOHLER ENGINE - MODEL NUMBER CV26S, TYPE NUMBER 69526

STARTING SYSTEM

KEY PART NO. NO.	DESCRIPTION
1 12-098-03	Starter, solenoid shift
2 M-0839080	Screw, hex. flange M8x1.24x80 (2)
3 M-0841080	Nut, hex. flange M8x1.25
4 52-211-05	Bolt, thru M5x0.8x99 (2)
5 12-301-01	Cap, commutator end
6 52-168-01	Insulator
7 52-089-09	Spring, brush (4)
8 52-323-03	Holder, brush
9 52-221-01	Kit, brush (Includes 7)
10 12-471-01	Frame
11 52-100-09	Nut, starter
12 52-435-02	Solenoid
13 12-170-03	Armature
14 12-239-01	Pinion, drive
15 24-755-84	Kit, starter repair
16 12-090-10	Lever, starter drive
17 12-081-02	Cap, drive end
18 52-100-10	Nut, starter (2)

ENGINE CONTROLS

KEY PART NO. NO.	DESCRIPTION
1 SM-0642025	Screw, hex. flange M6x1.0x25
2 24-090-14	Lever, governor
3 M-0641060	Nut, hex. flange M6x1.0
4 24-089-01	Spring, linkage
5 25-158-08	Bushing, linkage retaining
6 24-079-04	Linkage, throttle
7 25-158-11	Bushing, throttle linkage (2)
8 M-0647060	Nut, hex. M6x1.0 (3)
9 X-25-52	Washer, plain 1/4"
10 24-090-20	Lever, choke
11 25-431-01	Spacer
12 277341	Washer, spring 3/8"
13 24-079-10	Linkage, choke
14 M-0639016	Screw, hex. flange M6x1.0x16
15 24-126-59	Bracket, control
16 X-25-72	Washer, plain 1/4" (3)
17 24-112-10	Spacer
18 24-090-09	Lever, throttle control (2)
19 24-089-18	Spring, governor
20 M-0401030	Screw, hex. cap M4-0.7x30
21 24-126-17	Bracket, throttle shaft
22 24-144-11	Shaft, throttle
23 24-086-06	Screw, phillips hd. 11-16x3/4" (2)
24 M-0446030	Nut, hex. M4x0.7
25 M-0545016	Screw, hex. flange M5x0.8x16 (2)
26 24-089-20	Spring, throttle shaft
27 M-0645016	Screw, hex. flange M6x1.0x16 (3)
28 12-237-01	Clamp, cable (2)

OIL PAN/LUBRICATION

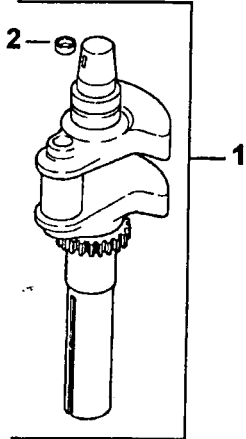
KEY PART NO. NO.	DESCRIPTION
1 M-0645025	Screw, hex. flange M6x1.0x25 (2)
2 M-0631005	Washer, plain 6 mm (2)
3 24-755-59	Pan, oil assembly (Includes 5-11)
4 24-393-08	Oil pump assembly (Includes 5)
5 24-123-05	Tube, oil pickup
6 24-162-26	Screen, oil
7 24-043-12	Kit, governor gear w/pin (Includes 8)
8 12-380-01	Pin, governor regulating
9 52-448-02	Tab, locking
10 12-144-02	Shaft, governor gear
11 24-041-24	Gasket, oil pan
12 24-422-03	Shim, thrust
13 X-75-32	Plug, hex. ctsk. 3/8"
14 52-032-08	Seal, oil (PTO end)
15 24-086-17	Screw, hex. flange M8x1.25x45
16 24-086-16	Screw, hex. flange M8x1.25x45 (9)
17 X-75-10	Plug, sq. hd. solid 3/8" N.P.T.F.
18 54-755-14	Kit, oil cooler (Incl. 19-24, 24 146 11 & 41 037 10)
19 24-136-05	Nipple, oil filter
20 24-153-17	O-Ring
21 24-100-01	Screw, hex. flange M8x1.25x45 (2)
22 24 086 12	Nut, plastic (2)
23 24-594-15	Cooler, oil
24 52-050-02	Filter, oil
NOT ILLUSTRATED	
41-037-10	Decal, write-on nameplate
24-146-11	Plate, backing #2 side
24-113-25	Decal, oil cooler

REPAIR PARTS

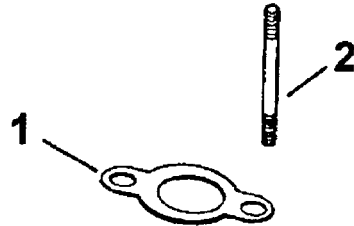
TRACTOR - - MODEL NUMBER 917.258380

KOHLER ENGINE - MODEL NUMBER CV26S, TYPE NUMBER 69526

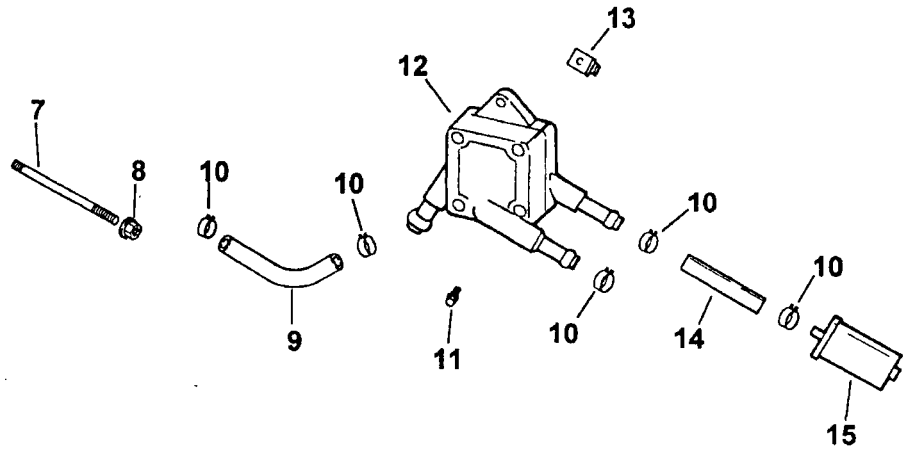
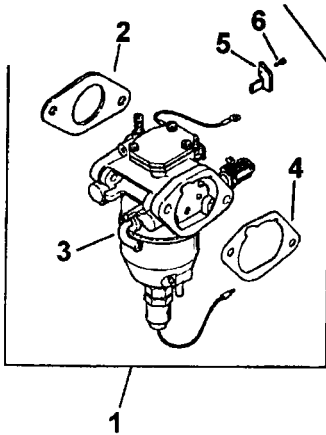
CRANKSHAFT



EXHAUST



FUEL SYSTEM



REPAIR PARTS

TRACTOR - - MODEL NUMBER 917.258380

KOHLER ENGINE - MODEL NUMBER CV26S, TYPE NUMBER 69526

CRANKSHAFT

KEY PART NO. NO.	DESCRIPTION
1 24-014-72	Crankshaft (Includes 2)
2 52-139-09	Plug, cup

EXHAUST

KEY PART NO. NO.	DESCRIPTION
1 24-041-02	Gasket, exhaust (2)
2 25-072-04	Stud, M8x1.25x33 (4)
24-755-03	Gasket Set

FUEL SYSTEM

KEY PART NO. NO.	DESCRIPTION
1 24-853-27	Kit, carburetor w/gaskets (Includes 2-6)
2 24-041-15	Gasket, carburetor
3 24-053-27	Carburetor assembly (For information only not available separately) (Includes 24 234 02 24 757 18, 24 757 19, 24 757 20, 24 757 21, 24 757 22)
4 24-041-14	Gasket, air cleaner base
5 24-126-53	Bracket, throttle stop
6 M-0259005	Screw, pan hd. M2.5x0.45x5
7 M-0629105	Stud, M6x1.0x110 (2)
8 M-0641060	Nut, hex. flange M6x1.0 (2)
9 24-353-03	Line, fuel 10-5/8"
10 X-426-9	Clamp, hose (6)
11 24-086-12	Screw, hex. cap. M6x1.7x18 (2)
12 24-393-04	Pump, fuel - pulse
13 24-100-01	Nut, plastic (2)
14 25-353-03	Line, fuel 13-1/2" (2)
15 24-050-02	Filter, fuel
NOT ILLUSTRATED	
24-234-02	Chamber, float (bowl)
24-757-18	Kit, overhaul w/gaskets
24-757-19	Kit, choke repair w/gaskets
24-757-20	Kit, gasket
24-757-21	Kit, accelerator pump w/gaskets
24-757-22	Kit, solenoid replacement w/gaskets

CRAFTSMAN®

IMPORT

Max & ERIK PEDERSEN
Aabyvej 69
DK-8230 Aabyhøj - Aarhus

Telefon 86-15 44 44
Fax 86-15 41 88

FORHANDLER

--