



REPAIR PARTS MANUAL

MODEL NO. 258440

Lawn Tractor

15,5 HP

36" (92cm)



HOW TO USE THIS MANUAL

This manual is designed to provide the customer with a means to identify the parts on his/her tractor when ordering repair parts. The illustrations may or may not represent the actual assemblies; therefore, it is not recommended to use this manual as a guide to assemble or disassemble the tractor. Some hardware and parts are drawn larger in order to more readily identify them.

Each tractor has its own model number.

The model number for your tractor can be found on the fender under the seat.

When ordering parts, always give the following information:

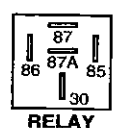
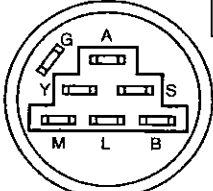
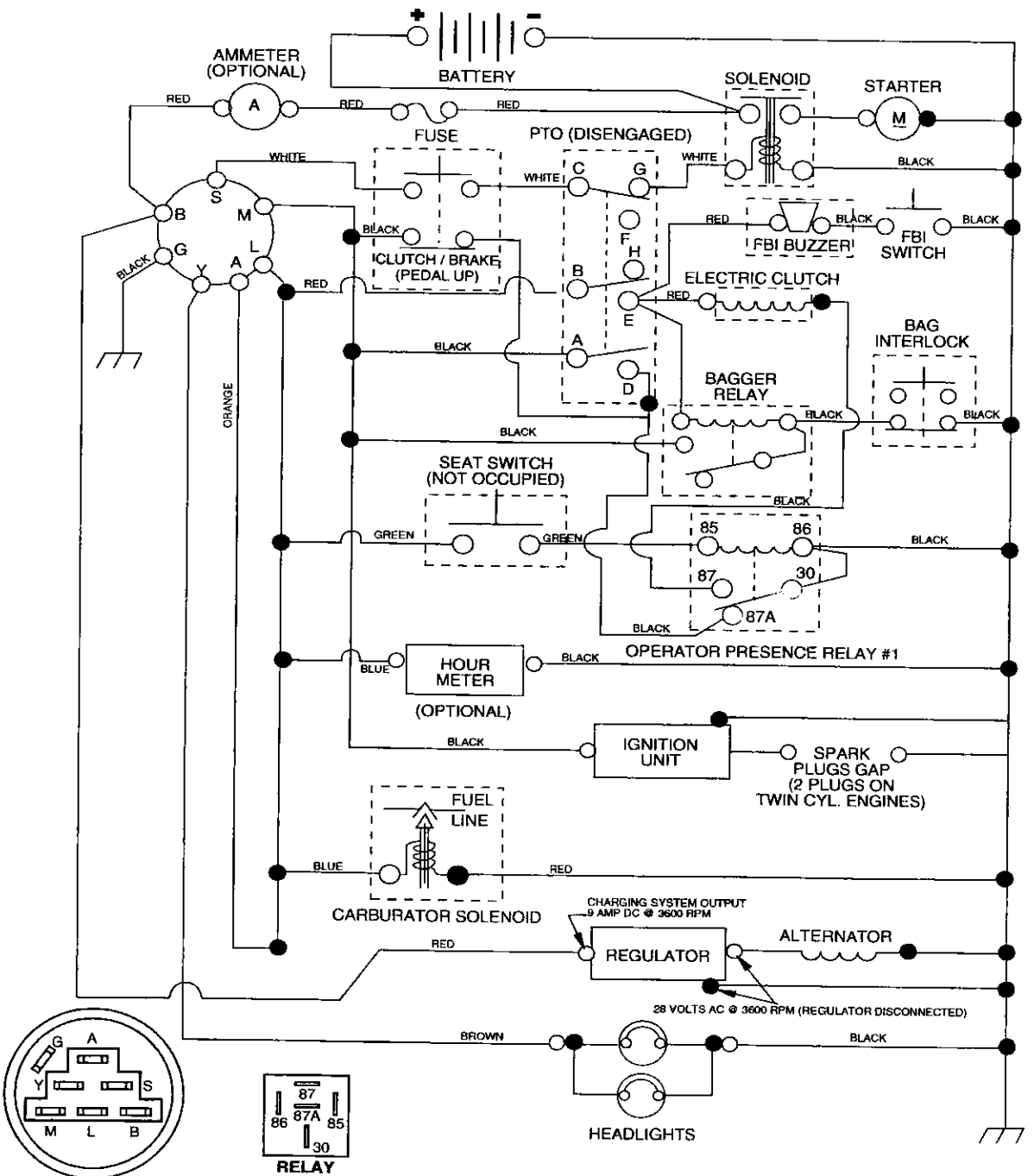
- Product - "Tractor"
- Model Number - "258440"
- Part Number
- Part Description

TABLE OF CONTENTS

SCHEMATIC	3
ELECTRICAL	4-5
CHASSIS	6-7
DRIVE	8-9
STEERING	10-11
SEAT	12
DECALS	13
ENGINE	14-15
MOWER LIFT	16-17
MOWER DECK	18-19
BAGGER	20-21
TRANSAXLE	22-23
ENGINE BREAKDOWN	24-28

TRACTOR- -MODEL NO. 917. 258440

SCHEMATIC



IGNITION SWITCH

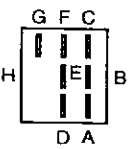
POSITION	CIRCUIT	"MAKE"
OFF	G + M + L	NONE
RUN/LIGHT	B + L	A + Y
RUN	B + L	NONE
START	B + L + S	NONE

PTO SWITCH

POSITION	CIRCUIT
OFF	C + G, B + H
ON	C + F, B + E, A + D



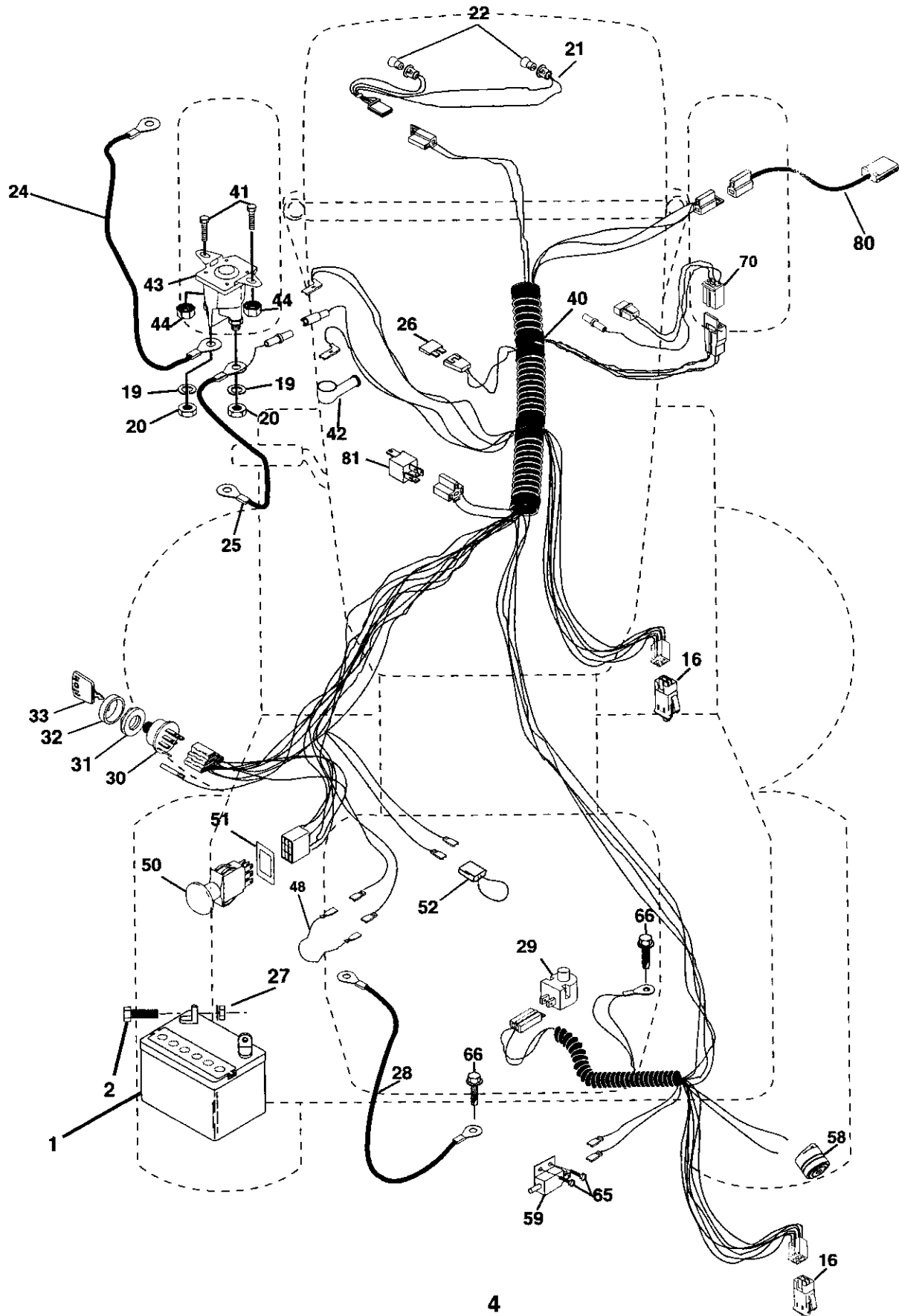
WIRING INSULATED CLIPS
NOTE: IF WIRING INSULATED CLIPS WERE REMOVED FOR SERVICING OF UNIT, THEY SHOULD BE REPLACED TO PROPERLY SECURE YOUR WIRING.



REPAIR PARTS

TRACTOR- -MODEL NO. 917. 258440

ELECTRICAL



REPAIR PARTS

TRACTOR- -MODEL NO. 917. 258440

ELECTRICAL

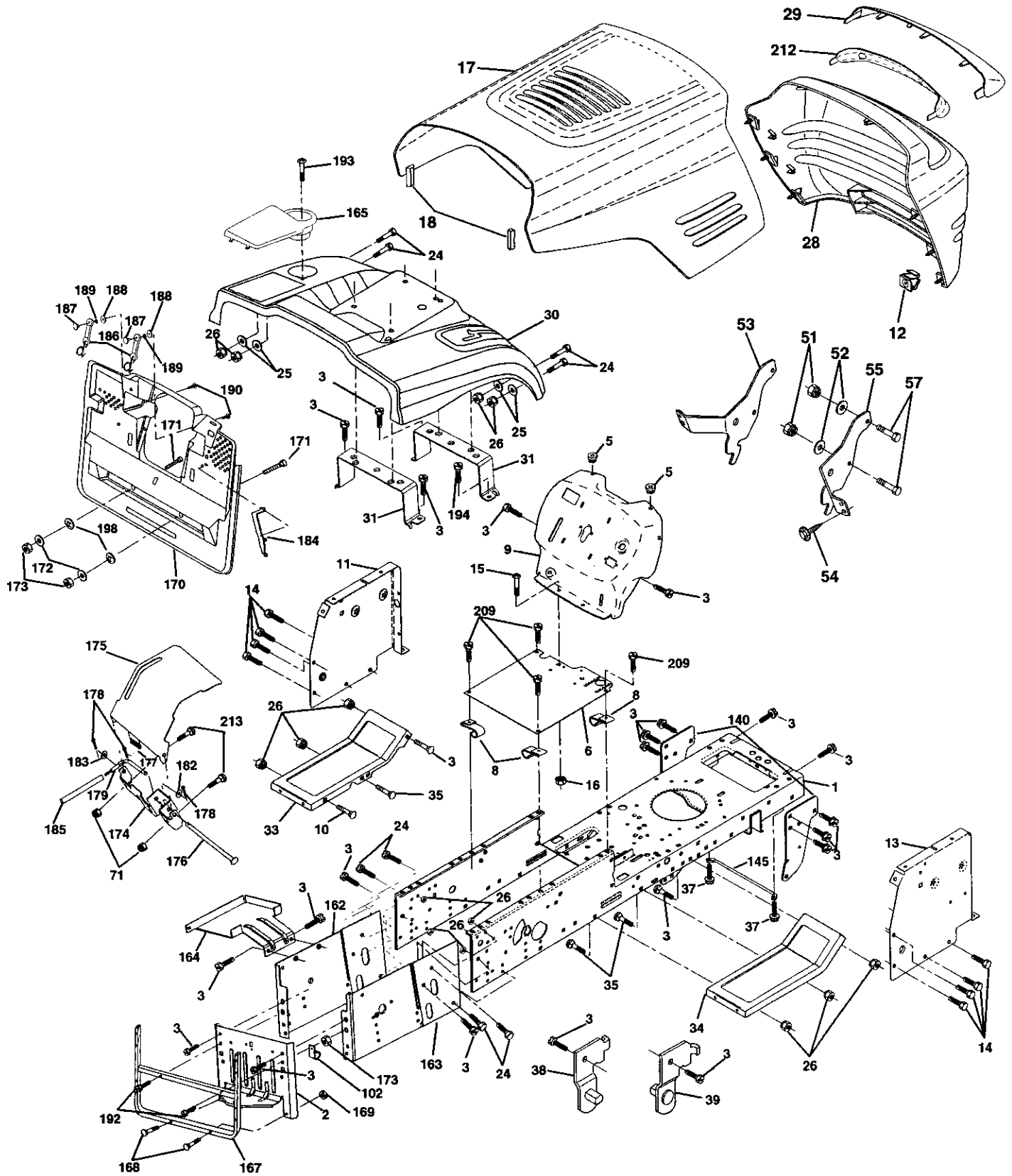
KEY NO.	PART NO.	DESCRIPTION
1	144925	Battery 12 Volt 25 AMP Wet
2	74760412	Bolt Hex Hd 1/4-20 Unc X 3/4
16	153664	Switch Interlock Push-In
21	166182	Harness Asm Light W/4152J
22	4152J	Bulb Light #1156
24	4799J	Cable Starter 6Ga 11" Red
25	165987	Cable Battery Crd 56" Red
26	175158	Fuse 20 Amp
27	73510400	Nut Keps Hex 1/4-20 Unc
28	127725X	Cable Ground 6Ga 18" Black
29	160784	Switch Plunger Normal Op Olive
30	140301	Switch Ignition
31	124211X	Nut Ignition
32	141226	Cover Switch Ignition
33	109310X	Key Ign
40	166158	Harness Ign Crd Elect
41	71110408	Bolt Flk Fin Hex 1/4-20 Unc X 1/2
42	131563	Cover Terminal Red
43	175141	Solenoid
48	140844	Adapter Ammeter Rectangular
50	169416	Switch PTO 3PDT Red Delta
51	140405	Ring Retainer PTO
52	141940	Protection Wire Loop
58	169419	Buzzer Crd
59	166299	Switch FBI CRD
65	17211008	Screw Slftp #10-16 x 1/2 Ty-Ab
66	17490608	Screw Thdrol 3/8-16 x 1/2 Ty-Tt
70	166668	Harness Engine
80	146685	Harness Clutch EVX
81	109748X	Relay Asm

NOTE: All component dimensions given in U.S. inches.
1 inch = 25.4 mm.

REPAIR PARTS

TRACTOR- -MODEL NO. 917. 258440

CHASSIS AND ENCLOSURES



REPAIR PARTS

TRACTOR- -MODEL NO. 917. 258440

CHASSIS AND ENCLOSURES

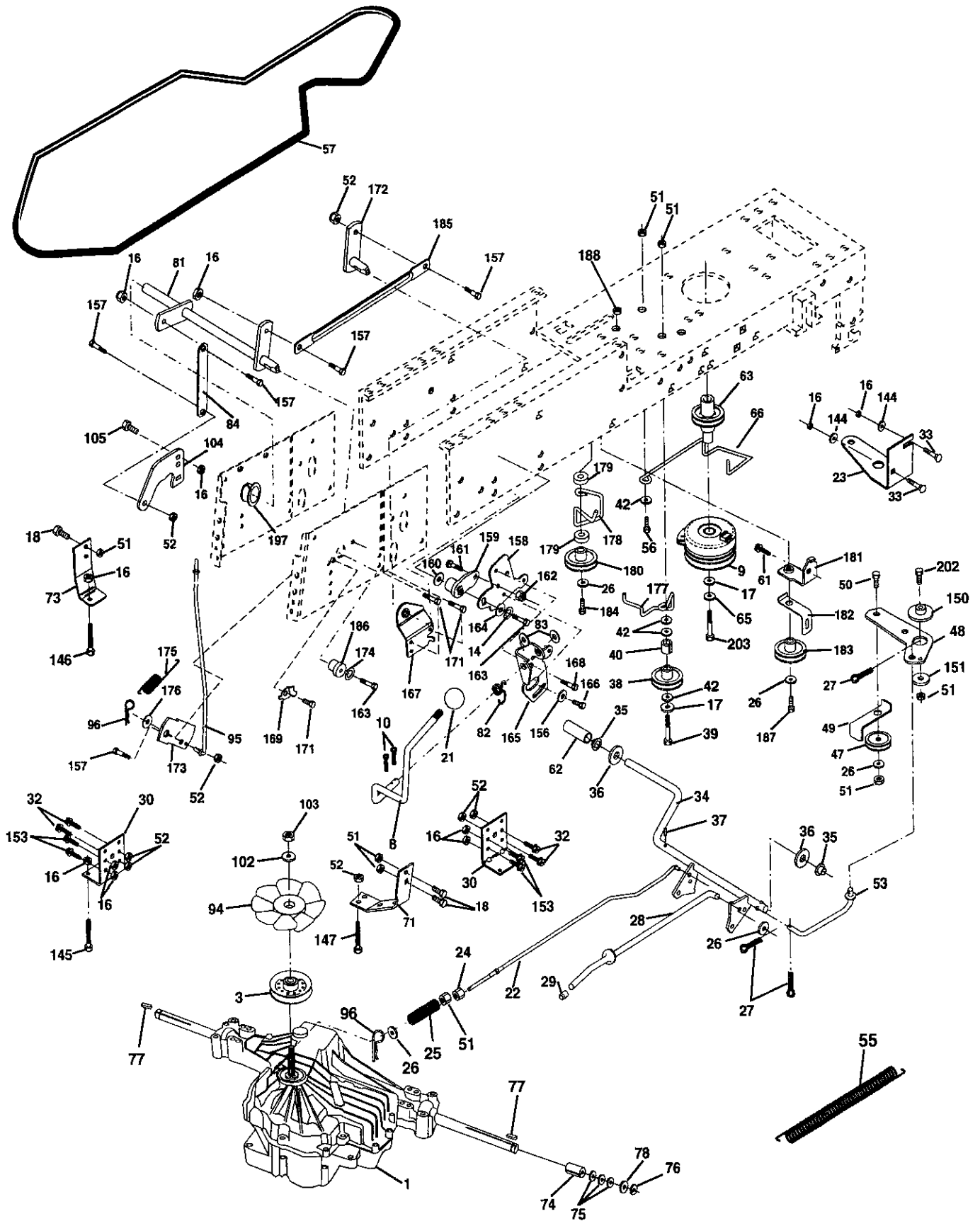
KEY NO.	PART NO.	DESCRIPTION	KEY NO.	PART NO.	DESCRIPTION
1	165480	Chassis	145	156524	Rod Pivot Chassis/Hood
2	165606	Drawbar	162	170256	Bracket Exten Chassis Lh CRD
3	17060612	Screw 3/8-16 x 3/4	163	175770	Bracket Exten Chassis Rh CRD
5	155272	BumperHood/Dash	164	165605	Support Battery CRD
6	155923	Saddle	165	165742X428	Cover Battery CRD Lt
8	126471X	Clip Insulator 13/32 Mtg. Hole	167	165779	Support Asm. Backplate WLDMNT
9	147631X010	Dash	168	72050412	Bolt, RDHD SHT NK 1/4-20 x 1-1/2
10	72140608	Bolt, Carriage 3/8-16 x 3/4	169	123976X	Nut, Lock 1/4 LGE FLG Gr. 5 Zinc
11	155927	Panel, Dash, L.H.	170	175264	Backplate Asm Crd
12	145660	Clip, Tinnerman Grille P/L	171	72140620	Bolt Rdhd Sqnk 3/8-16 x 2-1/2 Gr5
13	172108	Panel, Asm. Dash R.H.	172	19132016	Washer 13/32 x 1-1/4 x 16 Ga.
14	17490608	Screw Thdrol 3/8-16 x 1/2	173	73510600	Nut, Keps Hex 3/8-16 UNC
15	74180512	Screw, Machine, Truss Head 5/16-18 UNC x 3/4	174	165939	Bracket Switch FBI CRD
16	73510500	Nut	175	166212	Guard Door Rear CRD
17	144983X558	Hood Assembly	176	128600	Pin Hinge Pivot
18	126938X	Bumper Hood	177	132796	Spring Bagger Top LH Black
24	74780616	Bolt	178	76020312	Pin Cotter 3/32 x 3/4 Cad Zinc
25	19131312	Washer 13/32 x 13/16 x 12 Gauge	179	165942	Rod Pivot FBI CRD
26	73800600	Nut	182	138200	Washer .385 x .625 x 11 Ga.
28	156725X558	Grille/Lens Asm	183	19131316	Washer 13/32 x 13/16 x 16 Ga.
29	155217X599	Lens, Grille	184	174662	Bracket Actuator Bagger CRD
30	165713X558	Fender	185	165940	Tube Lever Switch FBI CRD
31	165156	Bracket, Fender Support	186	160793	Latch Asm Mulch/Bagger
33	145244X558	Footrest, L.H.	187	2029J	Nut Weld .327/.304 #10-24
34	145243X558	Footrest, R.H.	188	19061216	Washer #10
35	72110606	Bolt	189	10071000	Washer Lock #10
37	17490508	Screw Thdrol 5/16-18 x 1/2 TYT	190	71081010	Screw Pan Hd Phillip 10-24 x 5/8
38	139886	Bracket Asm Pvt Lh Mwr Rear	193	17070412	Screw Truss 1/4-20 x 3/4
39	139887	Bracket Asm Pvt Rh Mwr Rear	192	17060624	Screw 3/8-16 x 1-1/2
51	73800400	Nut Lock w/Insert 1/4-20 UNC	198	168937	Nut, Push
52	19091416	Washer 9/32 x 7/8 x 16 Ga.	212	165919	Insert Lens Reflective
53	145201	Bracket, Grille LH	213	72110406	Bolt Carr
54	161464	Screw Hex WSHD 8-18 x 7/8	--	5479J	Plug, Button
55	145202	Bracket, Grille RH			
57	74780412	Bolt, Fin Hex 1/4-20 UNC x .75			
71	73680400	Nut Crownlock 1/4-20 Unc			
102	2751R	Clip line Fule 13/32 Mtg Hole			
140	158418	Bracket Suspension Front			

NOTE: All component dimensions given in U.S. inches.
1 inch = 25.4 mm.

REPAIR PARTS

TRACTOR- -MODEL NO. 917. 258440

DRIVE



REPAIR PARTS

TRACTOR- -MODEL NO. 917. 258440

DRIVE

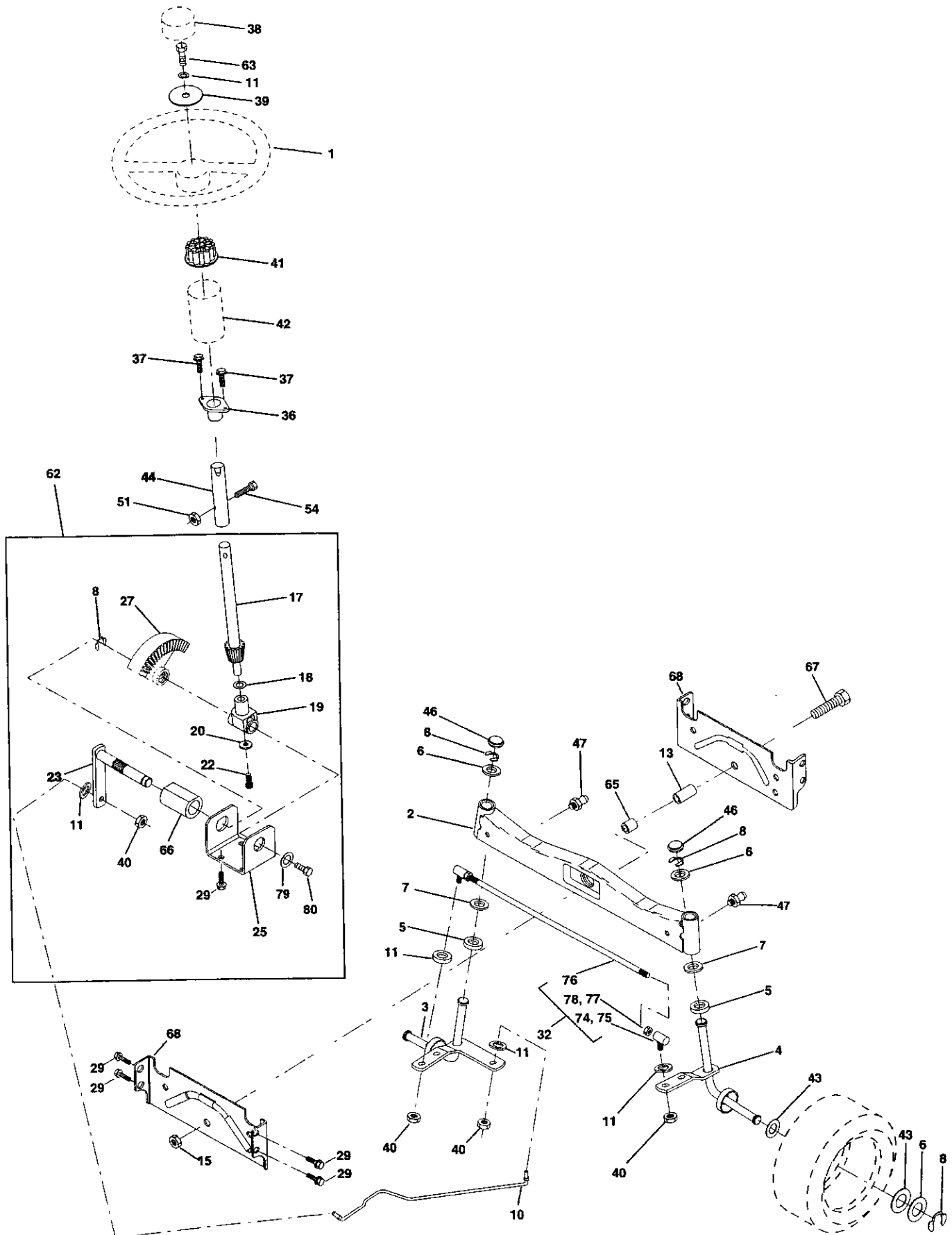
KEY NO.	PART NO.	DESCRIPTION	KEY NO.	PART NO.	DESCRIPTION
1	-----	Transaxle Hydro Gear 331-0650 (See transaxle breakdown)	83	19171216	Washer 17/32 x 3/4 x 16 Ga.
3	143995	Pulley Hydro 0650 Lt/CRD	84	165629	Link, Transaxle
8	165619	Rod, Shift Fender Adjust Lt	94	140462	Fan 7"
9	167162	Clutch Ele EVX 80 W/Hard Brake	95	165935	Control Asm Bypass Hydro
10	76020416	Pin, Cotter 1/8 x 1	96	4497H	Spring, Retainer 1"
14	10040400	Washer, Lock Hvy Helical	102	141322	Washer, Bellville .50ID x 1.50D
16	73800500	Nut, Lock Hex w/Ins 5/16-18 UNC	103	73940800	Nut, Hex Jam Toplock 1/2-20 UNF
17	126197X	Washer 1-1/2 OD x 15/32 Id x .250	104	140156	Arm, Control Hydro
18	74780616	Bolt Hex 3/8-16 UNC x 1 Gr.5	105	71070516	Screw Cap Hex 5/16 x 18 Unc-1
21	130564	Knob Deluxe 1/2-13 UNC	144	19111016	Washer 11/32 x 5/8 x 16 Ga
22	165688	Rod, Brake CRD 0650	145	74490540	Bolt Hex FGHD 5/16-18 x Gr 5
23	154978	Bracket asm Clutch Evx	146	74490536	Bolt Hex FLGHD 5/16-18 x 2-1/4
24	73350600	Nut	147	74490524	Bolt Hex FLGHD 5/16-18 x 1-1/2
25	106888X	Spring, Rod, Brake	150	165850	Bushing, Bellcrank Grnd Dr
26	19131316	Washer 13/32 x 13/16 x 16 Ga.	151	19133210	Washer 13/32 x 2 x 10 Ga.
27	76020412	Pin, Cotter 1/8 x 3/4	153	74760516	Bolt Hex Hd 5/16-18 Unc x 1
28	145204	Rod, Parking Brake	156	166002	Washer Srted 5/16ID x 1.125
29	71673	Cap, Parking Brake	157	153236	Bolt Shoulder 5/16-18 Unc 2A
30	169592	Bracket, Mfg. Transaxle	158	165589	Bracket Shift Mount
32	74760512	Bolt Hex 5/16-18 UNC x 3/4	159	165494	Hub Tapered Flange Shift Lt
33	72140506	Bolt Rdhd Sqnk 5/16-18 Unc x 3/4	160	19292016	Washer 29/32 x 1-1/4 x 16 Ga.
34	165496	Shaft, Asm Pedal Foot CRD	161	72140406	Bolt Rdhd Sqnk 1/4-20 x 3/4 Gr 5
35	120183X	Bearing, Nylon	162	73680400	Nut Crownlock 1/4-20 Unc
36	19211616	Washer 21/32 x 1 x 16 Ga.	163	74780416	Bolt Hex Fin 1/4-20 Unc x 1 Gr 5
37	1572H	Pin, Roll 3/16 x 1"	164	19091010	Washer 5/8 x .281 x 10 Ga.
38	165936	Pulley Flat Composite 3.06"	165	165623	Bracket Pivot Lever
39	72110622	Bolt Rdhd 3/8-16 x 2-3/4 Gr 5	166	166880	Screw 5/16-18 x 5/8
40	4470J	Spacer, Split 395 x 59 Bzp	167	165588	Bracket Support Shift CRD
42	19131312	Washer 13/32 x 13/16 x 12 Ga.	168	165492	Bolt Shoulder 5/16-18 x .561
47	127783	Pulley, Idler, V Groove Plasic	169	165580	Plate Fastening Lt
48	154407	Bellcrank Clutch Grnd Drv	171	17490608	Screw Thdrol 3/8-16 x 1/2 Ty-Tt
49	123205X	Retainer, Belt Style Spring	172	165587	Shaft Asm Shifter Frt CRD 0650
50	74760624	Bolt Hex Hd 3/8-16 UNC x 1-1/2	173	165934	Bracket Hydro Bypass CRD
51	73680600	Nut, Crownlock 3/8-16 UNC	174	10090400	Washer Lock 1/4
52	73680500	Nut Crownlock 5/16-18	175	165931	Spring Bypass CRD
53	105710X	Link, Clutch 7.66	176	19070816	Washer 7/32 x 1/2 x 16 Ga.
55	105709X	Spring, Return, Clutch	177	165932	Keeper Flat Idler 3.06" CRD
56	74760620	Bolt, Hex 3/8-16 UNC x 1-1/4	178	165933	Keeper Belt Idler 1.88" CRD
57	165632	V-Belt Kev 112" 0650 CRD	179	120958X	Washer Sintered
61	17060612	Screw, 3/8-16 x 3/4	180	165630	Pulley, Idler, Flat 1.88"CRD
62	8883R	Cover, Pedal	181	165797	Bracket Idler Ground Drive CRD
63	145868	Pulley, Clutch elect EVX 1"	182	165634	Keeper Belt 2.5" Od V-Idler CRD
65	10040700	Washer	183	165626	Pulley V-Idler 2.50" Od CRD
66	154778	Keeper, Belt Engine F-Proof	184	17490644	Screw Hexwsh Thdrol 3/8-16 x 2-3/4
71	140158	Strap, Torque, Lh	185	165541	Link Shift CRD Hydro 0650
73	156347	Strap, Torque, Rh	186	165614	Hub Tapered Round CRD
74	121199X	Spacer, Split	187	17490620	Screw Thdrol 3/8-16 x 1-1/4 TT
75	121749X	Washer 25/32 x 1-1/4 x 16 Ga.	188	110436X	Bushing Snap Split
76	12000001	Ring, E	197	169613	Nyliner Snap-In 5/8" Id
77	123583X	Key, Square	202	72110612	Bolt Carr Sh 3/8-16 x 1-1/2 Gr 5
78	121748X	Washer 25/32 x 1-5/8 x 16 Ga.	203	71170780	Bolt Hex 7/16-20 x 5
81	165585	Asm, Shaft			
82	123782X	Spring, Torsion			

NOTE: All component dimensions given in U.S. inches
1 inch = 25.4 mm

REPAIR PARTS

TRACTOR- -MODEL NO. 917. 258440

STEERING ASSEMBLY



REPAIR PARTS

TRACTOR- -MODEL NO. 917. 258440

STEERING ASSEMBLY

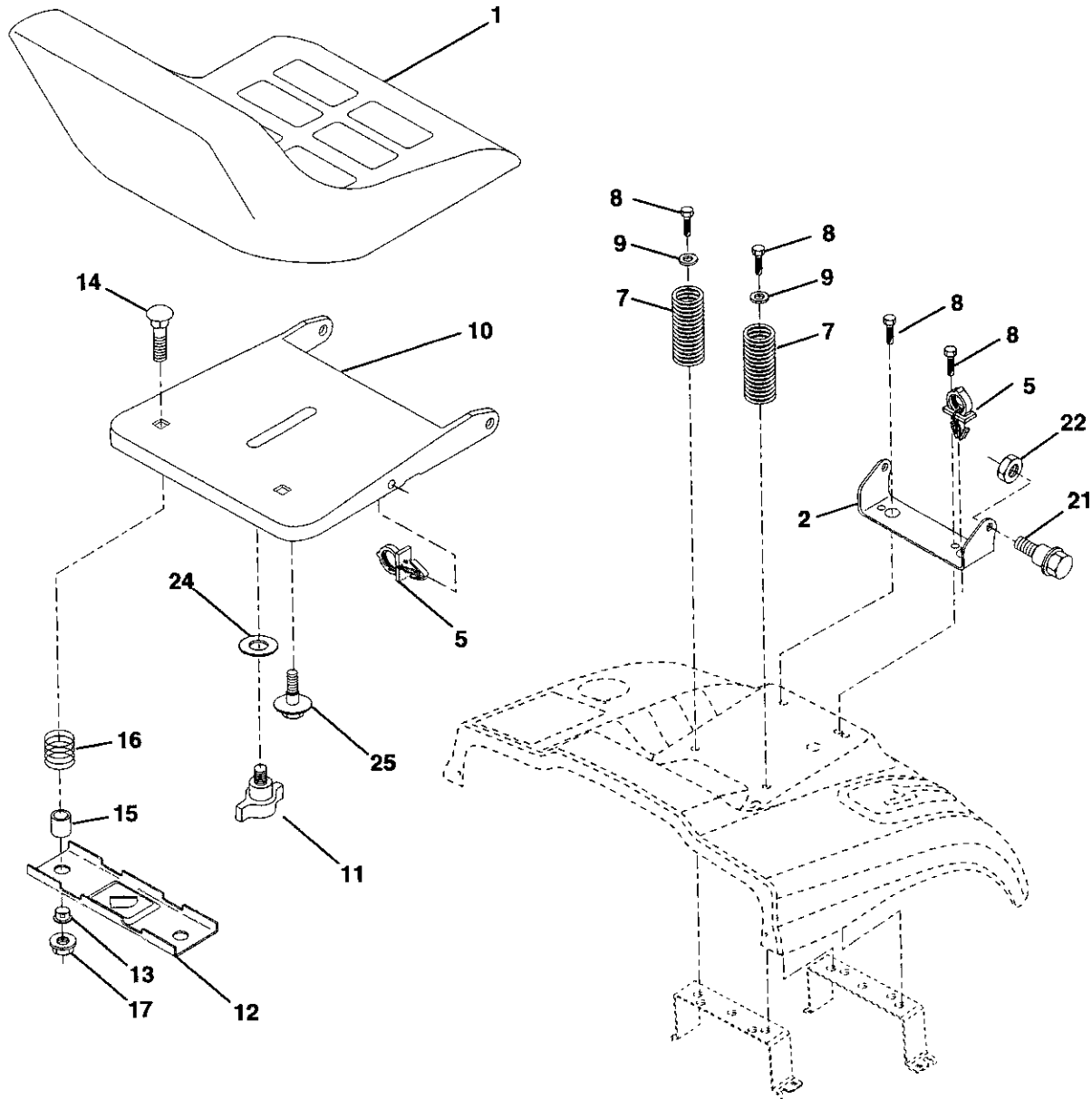
KEY NO.	PART NO.	DESCRIPTION
1	139768	Steering Wheel
2	137094	Axle Cast Lt Machined
3	157479	Spindle Assembly, L.H.
4	157478	Spindle Assembly, R.H.
5	6266H	Bearing, Race, Thrust, Hardened
6	121748X	Washer 25/32 x 1-5/8 x 16 Gauge
7	19272016	Washer 27/32 x 1-1/4 x 16 Gauge
8	12000029	Ring, Klip
10	154432	Link, Drag
11	10040600	Washer, Lock
13	167118	Spacer Brg Axle Front
15	73901000	Nut Lock Flange 5/8-11 Unc
17	156546	Shaft Assembly, Steering
18	57079	Washer, Thrust .515 x .750 x .033
19	160395	Support, Shaft
22	165857	Screw Hex Wshhd Torx
23	165851	Pittman Shaft Assembly
25	154406	Bracket, Steering
27	136874	Gear, Sector
29	17060612	Screw, 3/8-16 x 3/4
32	137347	Rod, Tie
36	155099	Bushing, Steering
37	152927	Screw TT #10-32 x 5 x 3/8 Flange
38	139769	Cap Wheel Steering
39	19133812	Washer 13/32 x 2-3/8 x 12 Gauge
40	7810H	Nut Lock Center 3/8-24 Unf
41	100711L	Adaptor, Steering Wheel
42	145054X428	Boot, Steering Dash P/L Mtl
43	121749X	Washer 25/32 x 1-1/4 x 16 Gauge
44	153720	Extension Steering Non-Adjust
46	121232X	Cap, Spindle
47	6855M	Fitting, Grease
51	73800500	Nut Lock Hx W/Ins 5/16-18 UNC
54	74780520	Bolt Fin Hex 5/16-18 UNC x 1-1/4
62	167902	Kit, Steering Assembly, Service
63	74780616	Bolt Fin Hex 3/8-16 unc. x 1 Gr. 5
65	154780	Spacer Brace Axle
66	154404	Bearing Arm Pittman
67	74781044	Bolt fin Hex 5/8-11 Unc x 2-3/4
68	154429	Brace Axle
74	109850X	Joint Asm Ball Rh
75	109851X	Joint Asm Ball Lh
76	137156	Rod Tie Ball J. Adj.
77	73700600	Nut Hex Jam 3/8-24 Unf Lh
78	73360600	Nut Hex Jam 3/8-24 Unf
79	19132012	Washer 13/32 x 1-1/4 x 12 Ga
80	74950612	Bolt Hex Nylon 3/8-16 x 3/4

NOTE: All component dimensions given in U.S. inches.
1 inch = 25.4 mm.

REPAIR PARTS

TRACTOR- -MODEL NO. 917.258440

SEAT ASSEMBLY



KEY NO.	PART NO.	DESCRIPTION
1	140123	Seat
2	140551	Bracket Pnt Pivot Seat (blk)
5	145006	Clip Push In Hinged
7	124181X	Spring Seat Cprsn 2 250 Blk Zi
8	17060616	Screw 3/8-16 X 1-1/2
9	19131614	Washer 13/32 X 1 X 14 Ga
10	155925	Pan Pnt Seat (blk)
11	166369	Knob Seat Adj Wingnut
12	121246X	Bracket Pnt Mounting Switch
13	121248X	Bushing Snap Blk Nyl 50 Id

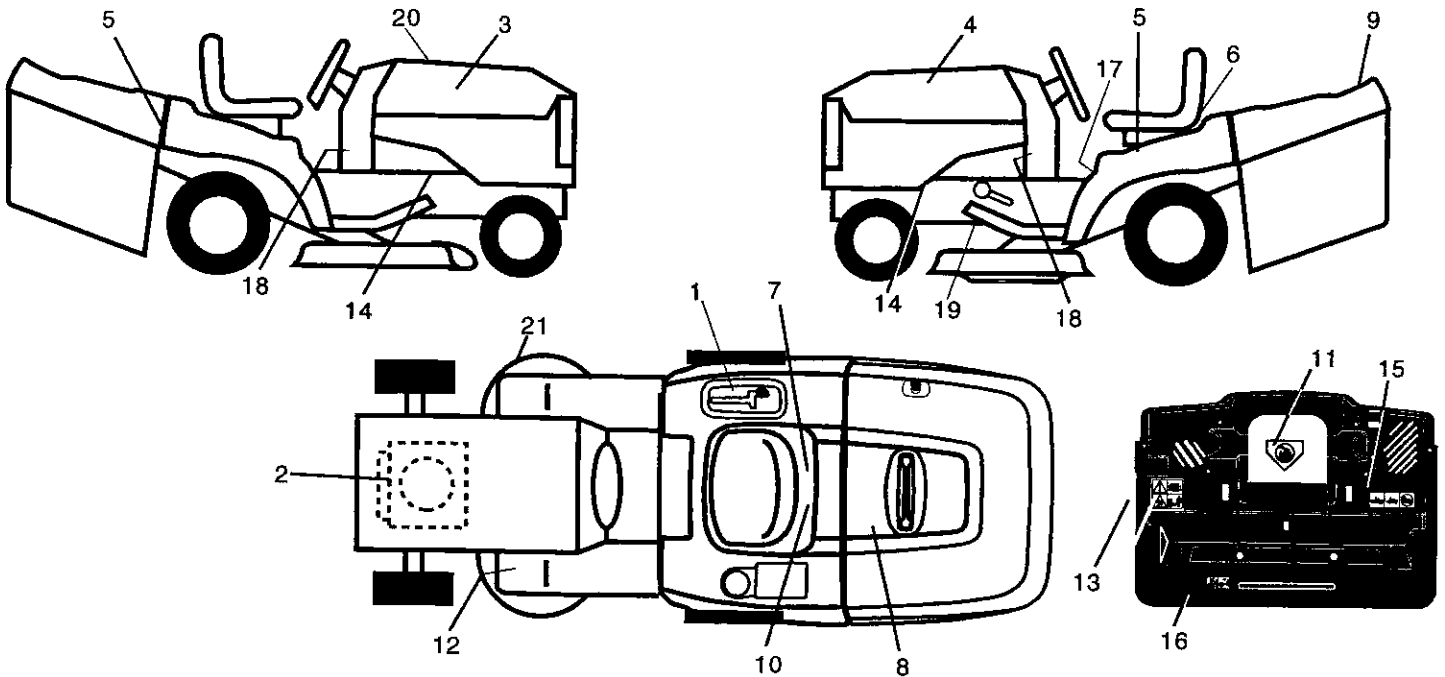
KEY NO.	PART NO.	DESCRIPTION
14	72050412	Bolt Rdhd Sht Nk 1/4-20x1-1/2
15	134300	Spacer Split .28 X .96 Zinc
16	121250X	Spring Cprsn
17	123976X	Nut Lock 1/4 Lge Flg Gr 5 Zinc
21	153236	Bolt Shoulder 5/16-18 Unc-2A
22	73800500	Nut Hex Lock w/Ins 5/16-18
24	19171912	Washer 17/32 X 1-3/16 X 12 Ga.
25	127018X	Bolt Shoulder 5/16-18 X 62

NOTE: All component dimensions given in U.S. inches.
1 inch = 25.4 mm

REPAIR PARTS

TRACTOR- -MODEL NO. 917.258440

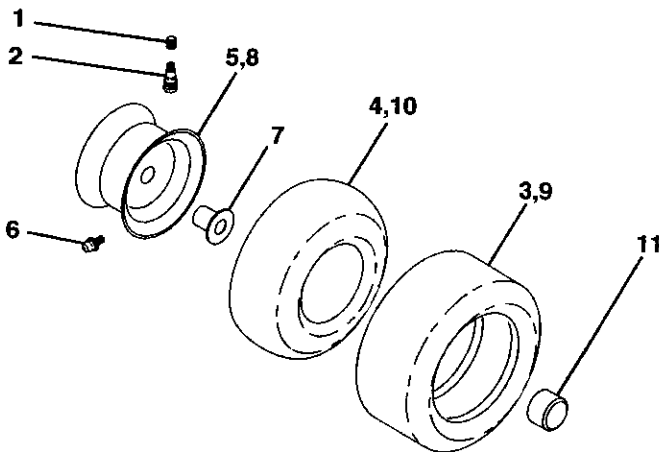
DECALS



KEY NO.	PART NO.	DESCRIPTION
1	166962	Decal Console Hydro
2	165388	Decal Hp Engine
3	163200	Decal Hood Rh
4	163202	Decal Hood Lh
5	168322	Decal Fender Auto
6	168952	Decal Bagger Fender/Chute
7	166960	Decal Bypass Fender
8	177312	Decal Warning Symbols
9	163204	Decal Fender
10	145005	Decal Bat Dan/Poi P/L Sym Wpn
11	145494	Decal Mower Cut Finger Symbol
12	101892X	Decal Brake/Clutch
13	166959	Decal Warn Back Plate CRD

KEY NO.	PART NO.	DESCRIPTION
14	159736	Decal Chassis Hot Muffler
15	166961	Decal Oper Bag Presence CRD
16	162598	Decal Drawbar Load Limit
17	157140	Decal Fender Danger Eng/Fr
18	163250	Decal, Dash Panel
19	168864	Decal Bolt Schematic
20	169312	Decal Replacement Parts
21	166286	Decal Deck Sch CRD
--	138311	Decal Lift Handle
--	157199X428	Pad, Footrest
--	177338	Manual Operator's (Euro)
--	177339	Manual Operator's (Scand)
--	177340	Manual Parts

WHEELS & TIRES



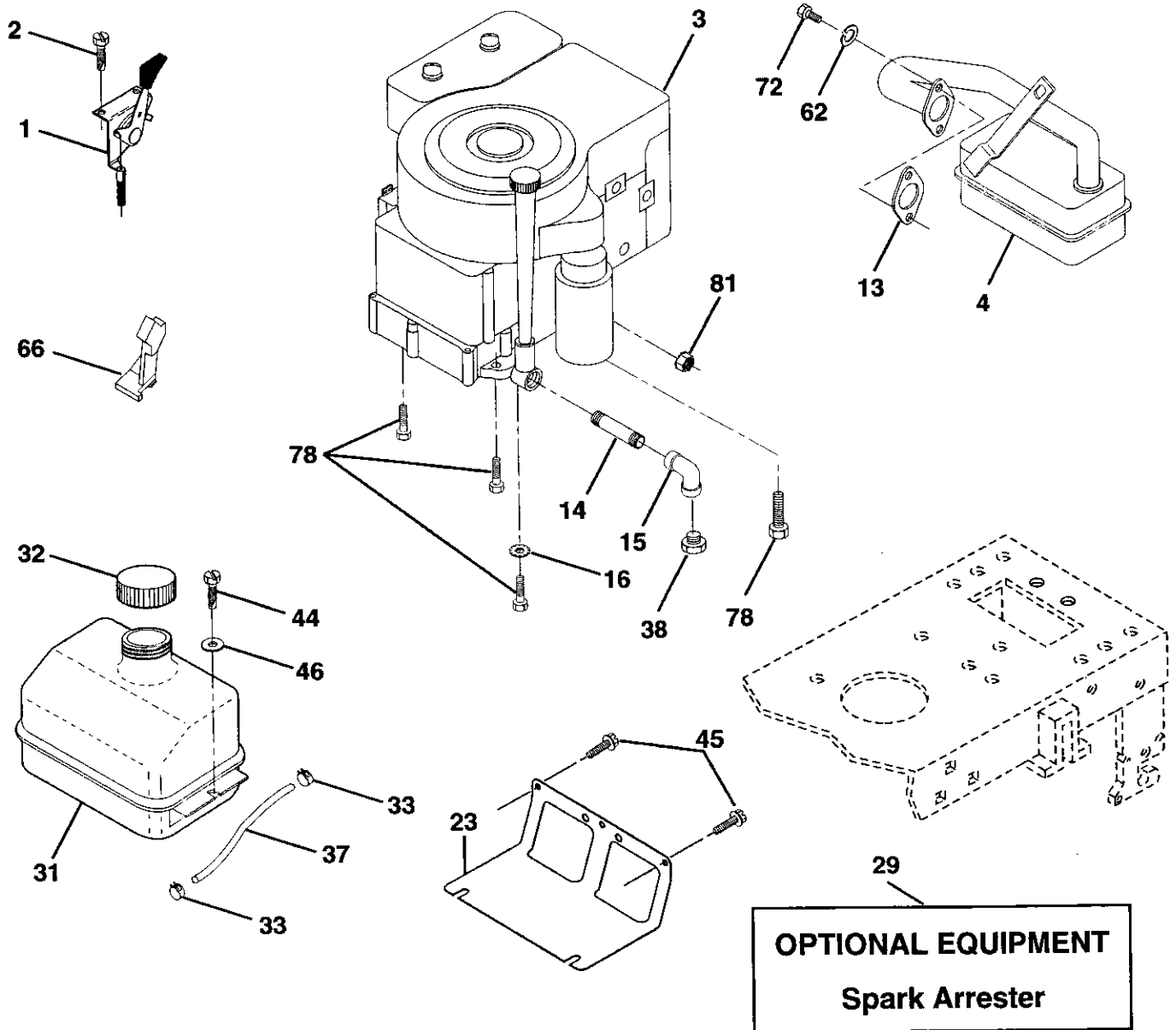
KEY NO.	PART NO.	DESCRIPTION
1	59192	Cap Value Tire
2	65139	Stem Value
3	106222X	Tire F Ts 15 X 6 0 - 6 Service
4	59904	Tube Inner Front #35060
5	106732X427	Rim Asm 6" front White Service
6	278H	Fitting Grease
7	9040H	Bearing Flange
8	106108X427	Rim Asm 8" rear White Service
9	138468	Tire R Ts 20 x 8-8 Service
10	7152J	Tube Rear 9 5 X 8 Service
11	104757X428	Cap Axle Blk 1 50 X 1 00
--	144334	Sealant, Tire (10 oz. tube)

NOTE: All component dimensions given in U.S. inches
1 inch = 25.4 mm

REPAIR PARTS

TRACTOR- -MODEL NO. 917.258440

ENGINE



OPTIONAL EQUIPMENT
Spark Arrester

REPAIR PARTS

TRACTOR- -MODEL NO. 917.258440

ENGINE

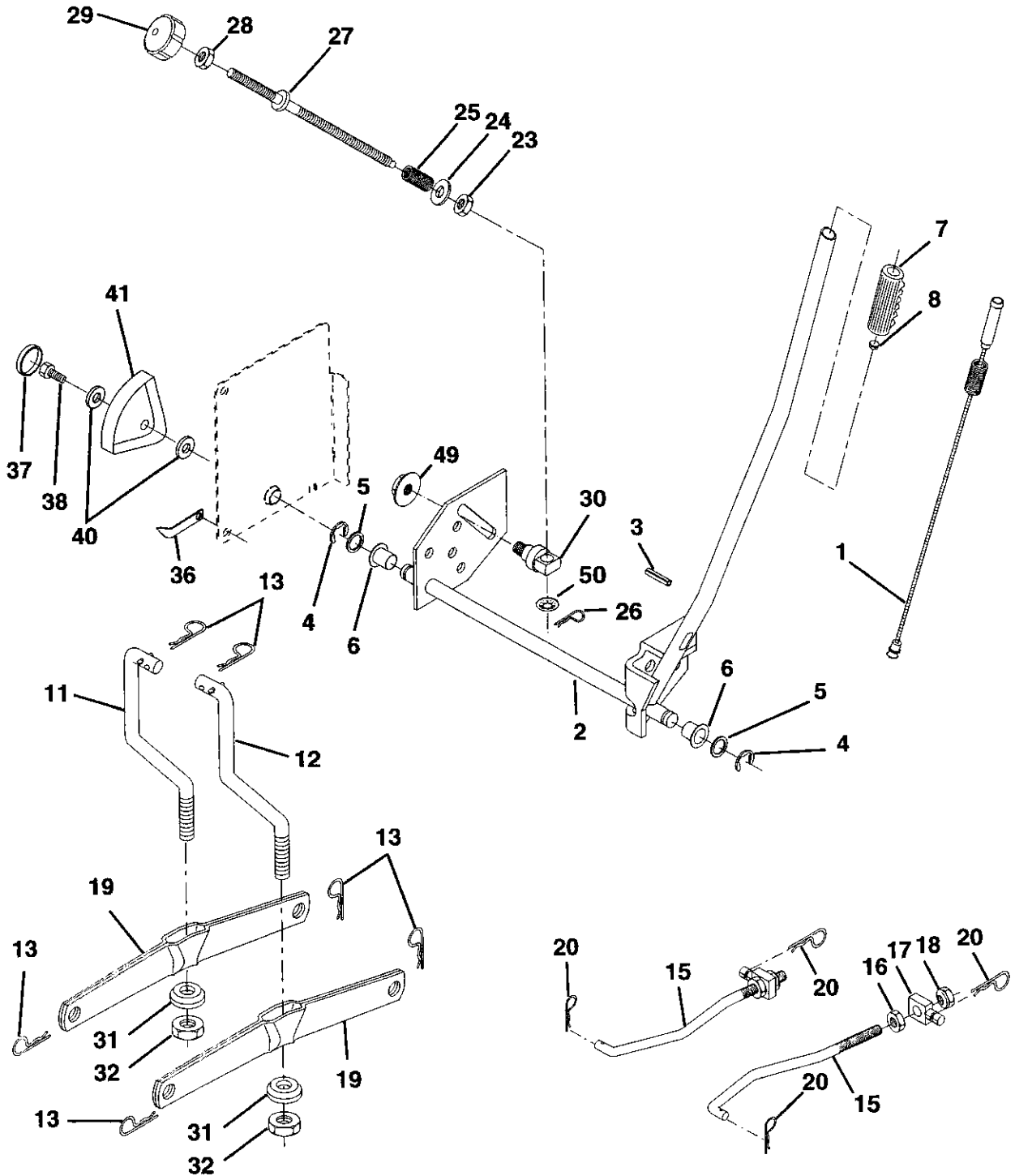
KEY NO.	PART NO.	DESCRIPTION
1	162158	Control Throt /Ch Lh
2	17720410	Screw Hex Thd Cut 1/4-20x5/8 T
3	-----	Engine (See Breakdown) Briggs Model 28U707-1175-E1
4	137352	Muffler Exhaust B&S Lt
13	165291	Gasket 1 313 Id Tin Plated
14	13280324	Nipple Pipe 3/8 Npt X 3"
15	13200300	Elbow Std 90 Degree 3/8-18 Npt
16	11050600	Washer Lock Ext Tooth 3/8
23	159880	Shield Browning/Debris Guard
29	137180	Arrestor Spark
31	109202X	Tank Fuel 1.25 Fr
32	158990	Cap Asm Fuel
33	123487X	Clamp Hose Blk
37	137040	Line Fuel 20"
38	-----	Plug Oil Drain (See engine breakdown)
44	17670412	Screw Hexwsh Thdrol 1/4-20x3/4
45	17060512	Screw 5/16-18 x 3/4
46	19091416	Washer 9/32 X 7/8 X 16ga
62	10040500	Washer Lock Hvy Hlcl Spr 5/16
66	127951	Stop Throttle 3000 Rpm
72	71070512	Screw Hexhd Cap 5/16-18x3/4
78	17060620	Screw 3/8-16x1-1/4
81	128861	Nut Flange 1/4-20 Starter Nut

NOTE: All component dimensions given in U.S. inches
1 inch = 25.4 mm

REPAIR PARTS

TRACTOR- -MODEL NO. 917.258440

MOWER LIFT



REPAIR PARTS

TRACTOR- -MODEL NO. 917.258440

MOWER LIFT

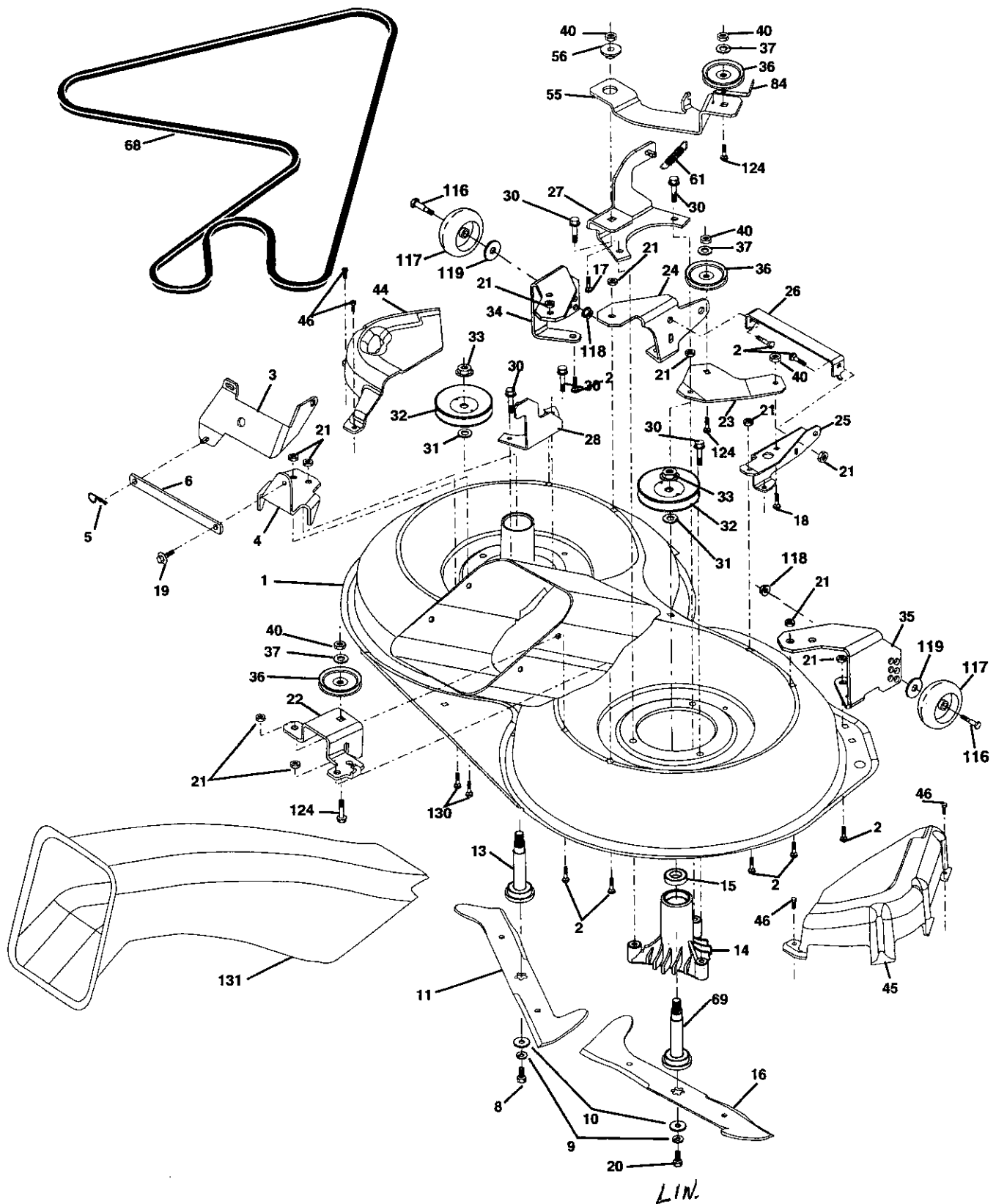
KEY NO.	PART NO.	DESCRIPTION
1	159460	Washer Asm Inner Spring W/Plunger
2	159471	Shaft Asm. Lift
3	105767X	Pin Groove
4	12000002	E Ring #5133-62
5	19211621	Washer 21/32 x 1 x 21 Ga.
6	120183X	Bearing Nylon
7	125631X	Grip Handle Fluted
8	122365X	Button Plunger Black
11	165829	Link Asm Lift L.H.
12	165831	Link Asm Lift R.H.
13	4939M	Retainer Spring
15	127218	Link Front
16	73350800	Nut Jam Hex 1/2-13 Unc
17	130171	Trunnion Blk Zinc
18	73680800	Nut Crownlock 1/2-13 Unc
19	139868	Arm Suspension Mower
20	163552	Retainer Spring
23	110807X	Nut Special
24	19131016	Washer 13/32 x 5/8 x 16 Ga.
25	2876H	Spring 2-1/8"
26	169484	Retainer Clip
27	126971X	Rod Adj Lift Zinc 7.49 Wrk Lg
28	73350600	Nut Hex Jam 3/8-16 Unc
29	138057	Knob Inf 3/8-16 Unc Blk w/sym
30	150233	Trunnion Infin Height
31	169865	Bearing, Pvt. Lift.
32	73540600	Nut Crownlock 3/8-24
36	155097	Pointer Height Indicator
37	123935X	Plug Hole Blk 1.485/1.515 Dia
38	17060516	Screw 5/16-18 x 1
40	19112410	Washer 11/32 x 1-1/2 x 10 Ga.
41	123934X	Scale Ind Height Blk
49	145212	Nut hex Flange Lock
50	110452X	Nut Push Phos & Oil

NOTE: All component dimensions given in U.S. inches
1 inch = 25.4 mm

REPAIR PARTS

TRACTOR- -MODEL NO. 917.258440

MOWER



REPAIR PARTS

TRACTOR- -MODEL NO. 917.258440

MOWER

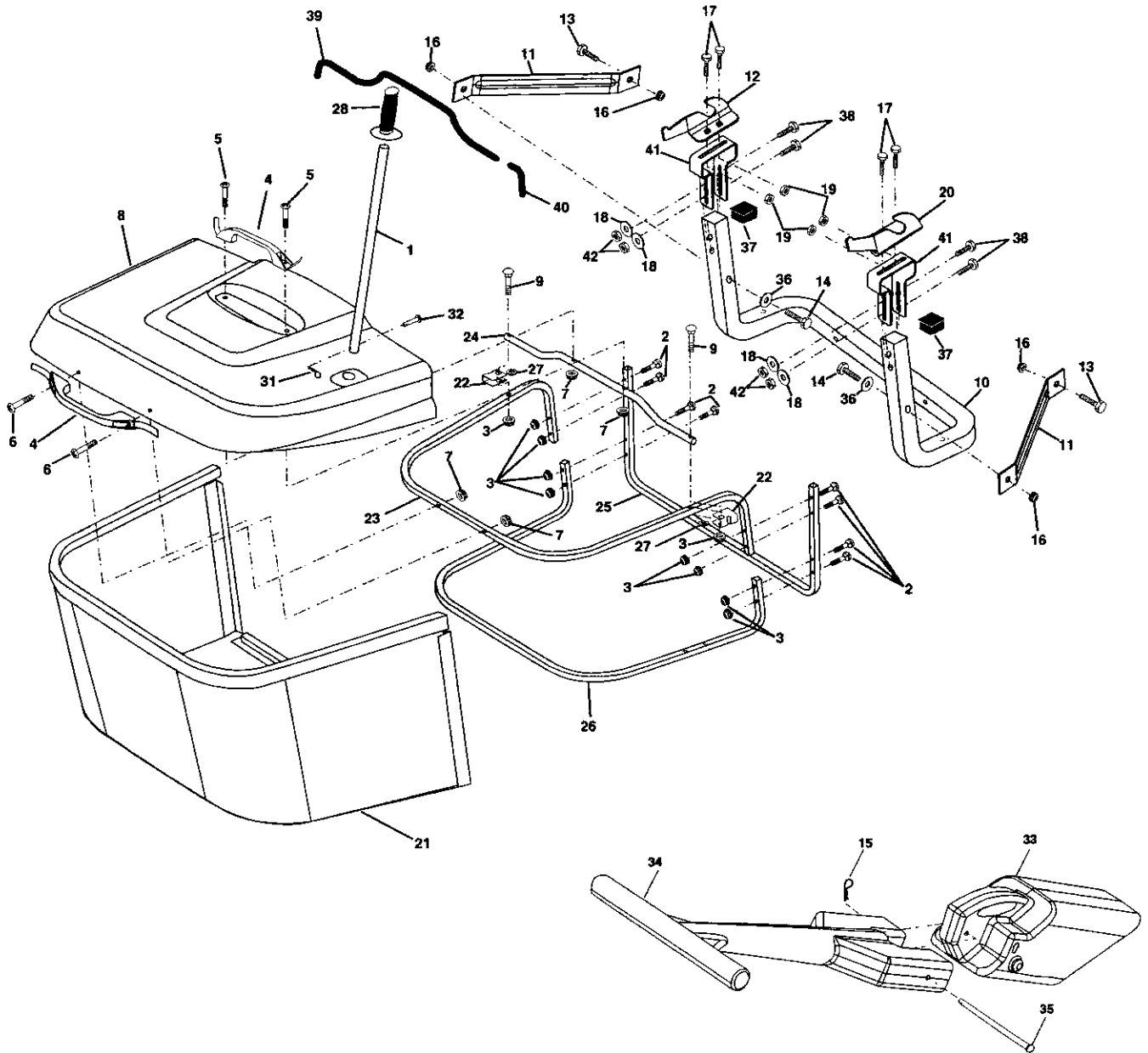
KEY NO.	PART NO.	DESCRIPTION	KEY NO.	PART NO.	DESCRIPTION
1	165552	Housing Asm. Mower 92 CRD	33	137266	Nut Flg Top Lock Cntr B 9/16
2	72140506	Bolt Rdhd Sqnk 5/16-18 Unc x 3/4	34	165239	Bracket Gauge Wheel Lf 92 CRD
3	165569	Bracket Asm. S-Bar Chass 92 CRD	35	165238	Bracket Gauge Wheel Rf 92 CRD
4	165558	Bracket Bar Sway Deck 92 CRD	36	146763	Pulley Idler V-Groove Dim 4.25
5	4939M	Retainer Spring	37	19131316	Washer 11/32 x 13/16 x 16 Ga
6	165557	Bar Sway 92 CRD	40	73680600	Nut Crownlock 3/8-16 Unc
8	850857	Bolt 3/8-24 x 1.25 Gr8 Patched	44	165724	Cover Mandrel Lh 92 CRD
9	10030600	Washer Lock Hvy 3/8 Unplated	45	165556	Cover Mandrel Rh 92 CRD
10	140296	Washer Hard Blade Mower vented	46	137729	Screw Thd Roll 1/4-20 x 5/8
11	165560	Blade 3-1 Lh	55	165445	Arm Idler 92 CRD
13	137645	Shaft Asm. W/Lower Bearing	56	165723	Spacer Retainer Mower
14	128774	Housing Mandrel Vented (Machd)	61	165945	Spring Tension Belt
15	110485X	Bearing Ball Mandrel	68	165555	Hex-Belt 92 Mower 105AA
16	165561	Blade 3-1 Rh	69	165482	Shaft Asm W/Lwr Brg Rh Thd CRD
17	72140610	Bolt Carriage 3/8-16 x 1-1/4	84	156085	Keeper Belt Idler
18	72110608	Bolt Rdhd Sqnk 3/8-16 x 1 Gr5	116	137644	Bolt Shoulder
19	132827	Bolt Shoulder 5/16-18 Thd Form	117	133957	Wheel Gage
20	165484	Bolt 3/8-24 x 1.25 Gr8 Ptch Lhthd	118	73930600	Nut Centerlock 3/8-16 Unc
21	73680500	Nut Crown Lock 5/16-18	119	19121414	Washer 3/8 x 7/8 x 14 Ga.
22	165243	Bracket Idler Sprt RR 92 CRD	124	72110612	Bolt Carr Sh 3/8-16 x 1-1/2 Gr5
23	165446	Bracket Idler Sprt RF 92 CRD	130	72110506	Bolt Rdhdsqnk 5/16-18 Unc x 3/4
24	165242	Bracket Suspension LF 92 CRD	131	165661	Chute Bagger CRD 92cm
25	165244	Bracket Suspension RF 92 CRD	-	130794	Mandrel Asm Service
26	165237	Brace Support Susp Frt CRD	-	165579	Mandrel Asm CRD Lh Threads SVC
27	165568	Bracket Asm. Susp RR 92 CRD	-	165578	Deck Mower Complete
28	165567	Bracket Asm. Susp LR 92 CRD			
30	157722	Screw Thd Rolling Washer Head			
31	129963	Washer Spacer Mower Vented			
32	153531	Mandrel Pulleys 36 & 46			

NOTE: All component dimensions given in U.S. inches
1 inch = 25.4 mm

REPAIR PARTS

TRACTOR- -MODEL NO. 917.258440

BAGGER



REPAIR PARTS

TRACTOR- -MODEL NO. 917.258440

BAGGER

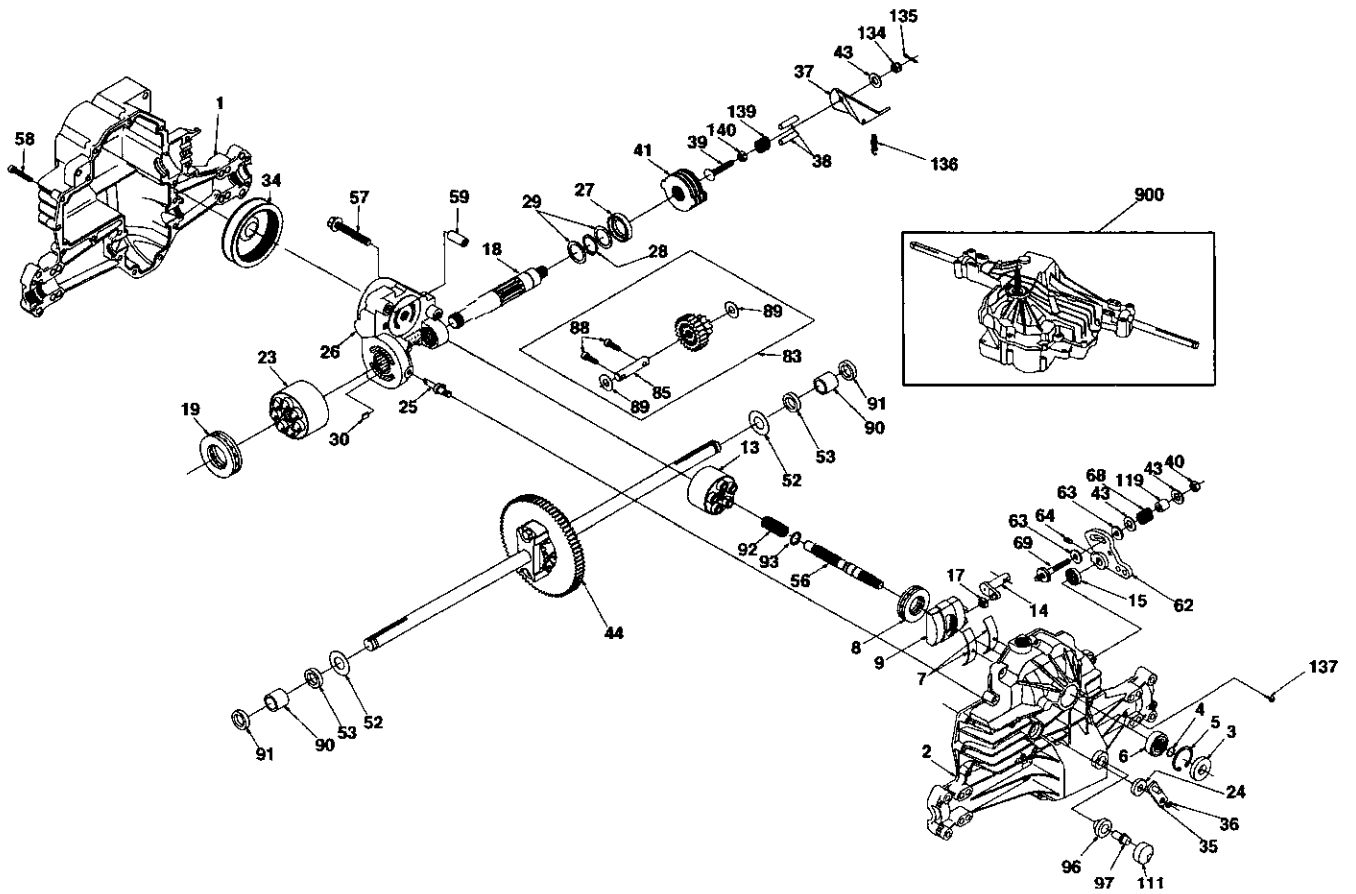
KEY NO.	PART NO.	DESCRIPTION
1	170690	Tube Handle Bagger CRD
2	72140416	Bolt Carriage 1/4-20 x 2.0 Gr.5
3	123976X	Nut Lock 1/4 Lge Flg Gr. 5 Zinc
4	169916	Handle Bagger W/Lvrs
5	74981024	Screw Pan Head #10-24 x 1.50 Blk
6	74981032	Screw Pan Hd
7	73401000	Nut Wiz Lock Hex Serr/Hd 10-24
8	165715X558	Cover Bagger Plastic CRD
9	72140418	Bolt Carriage 1/4-20 x 2.25d x Gr.5
10	169688	Tube Support Bagger CRD
11	165719	Bracket Support Upper Bag CRD
12	169685	Bracket Horiz Adj Bggr Lh CRD
13	72110606	Bolt Rdhd Sht Sqnk 3/8-16 x 3/4
14	74520640	Bolt Hex 3/8-16 x 2-1/2 Gr.5
15	493M	Retainer Spring
16	73900600	Nut Lock Flg 3/8-16 Unc
17	72140506	Bolt Rdhd Sht Sqnk 5/16 -18 Unc x 3/4
18	19111216	Washer 11/32 x 3/4 x 16 Ga.
19	73900500	Nut Lock Hex Flange 5/16-18
20	169684	Bracket Horiz Adj Bggr RH CRD
21	165780	Bag Asm CRD
22	165781	Bracket Side Bagger CRD
23	165782	Tube Upper Bagger CRD
24	165783	Tube Pivot Bagger CRD
25	165784	Tube Front Bagger CRD
26	165785	Tube Lower Bagger CRD
27	169692	Bushing Snap Bagger CRD
28	170696	Grip Handle Black
31	4497H	Retainer Spring 1" Zinc/Cad
32	126875X	Rivet Rd Hd Drilled 3/8 Dia
33	165571	Plug Mulcher
34	165570	Handle Mulcher
35	165572	Pin Mulcher
36	19132016	Washer 13/32 x 1-1/4 x 16 Ga.
37	175401	Plug Support Bagger CRD
38	72010520	Bolt 5/16-18 x 2-1/2
39	169999	Seal 26" (Long)
40	170000	Seal 7" (Short)
41	169683	Bracket Vert Adj Bagger CRD
42	73800500	Nut Lock Hex W/Ins 5/16-18 Unc Pl

NOTE: All component dimensions given in U.S. inches
1 inch = 25.4 mm

REPAIR PARTS

TRACTOR - - MODEL NUMBER 917.258440

HYDRO GEAR TRANSAXLE - MODEL NUMBER 331-0650



REPAIR PARTS

TRACTOR - - MODEL NUMBER 917.258440

HYDRO GEAR TRANSAXLE - MODEL NUMBER 331-0650

KEY NO.	PART NO.	DESCRIPTION	KEY NO.	PART NO.	DESCRIPTION
1	142930	RMHOUSING, LOWER	43	142884	WASHER - 7/16X7/8X0.060
2	169049	ASSEMBLY, UPPER HOUSING	44	150829	DIFFERENTIAL ASS'Y
3	142932	SEAL - LIP	52	142991	WASHER - 3/4X1.5X0.13
4	142928	RING - WIRE RETAINING	53	142961	SEAL - 0.75X1.25X0.250
5	142933	RING - RETAINING	56	142963	SHAFT - INPUT
6	142934	BEARING - SHAFT BALL	57	150797	BOLT - 3/8-24X2.5
7	142935	BEARING - CRADLE	58	142964	BOLT - 1/4-20X1.38
8	150771	BEARING - THRUST 30X52X13	59	142965	PIN - 0.5 ODX 0.43 IDX0.750
9	142937	SWASHPLATE - VARIABLE	62	142966	ARM - CONTROL
13	169050	BLOCK - CYLINDER ASS'Y	63	142967	PUCK - DAMPENER
14	149939	ARM - TRUNNION	64	142920	SET SCREW
15	142940	SEAL - LIP	68	142969	SPRING
17	142941	GUIDE - SLOT	69	161134	5/16-24 STUD
18	150772	SHAFT - MOTOR	83	169053	JACK SHAFT/PINION GEAR
19	150773	BEARING - THRUST 42X68X16	85	150806	JACK SHAFT
23	142944	BLOCK - CYLINDER (MOTOR)	88	142973	CAPSCREW 6MX20 LG
24	142945	SEAL - LIP 10X25X7	89	142974	WASHER 7/16X1X0.5
25	142946	ACTUATOR - BYPASS	90	142975	SLEEVE BEARING
26	169051	CENTERSECTION ASS'Y	91	169054	SEAL - LIP 0.75X1.00X0.158
27	142948	SEAL - LIP 26X42X8	92	142977	SPRING - BLOCK
28	142949	RING - RETAINING	93	142978	WASHER - BLOCK THRUST
29	142950	WASHER - 26X35X1	96	169055	BUSHING - VENT
30	150787	BYPASS PLATE	97	169056	VENT
34	142951	OIL FILTER ELEMENT	111	169057	VENT
35	142952	ARM - BYPASS	119	142980	SPACER
36	142953	RING - RETAINING	134	142885	CASTLE NUT - 5/16-24
37	169052	ARM - BRAKE	135	142886	COTTER PIN
38	142955	PIN - ACTUATING	136	169058	EXTENSION SPRING
39	150777	BOLT - 5/16-18X1-3/4	137	161175	SCREW - 10-32X1/2
40	150778	NUT - HEX LOCK 5/16-24 UNJC	139	150775	COMPRESSION SPRING
41	142958	BRAKE ROTOR/STATOR KIT	140	150776	NUT - HEX 5/16-18

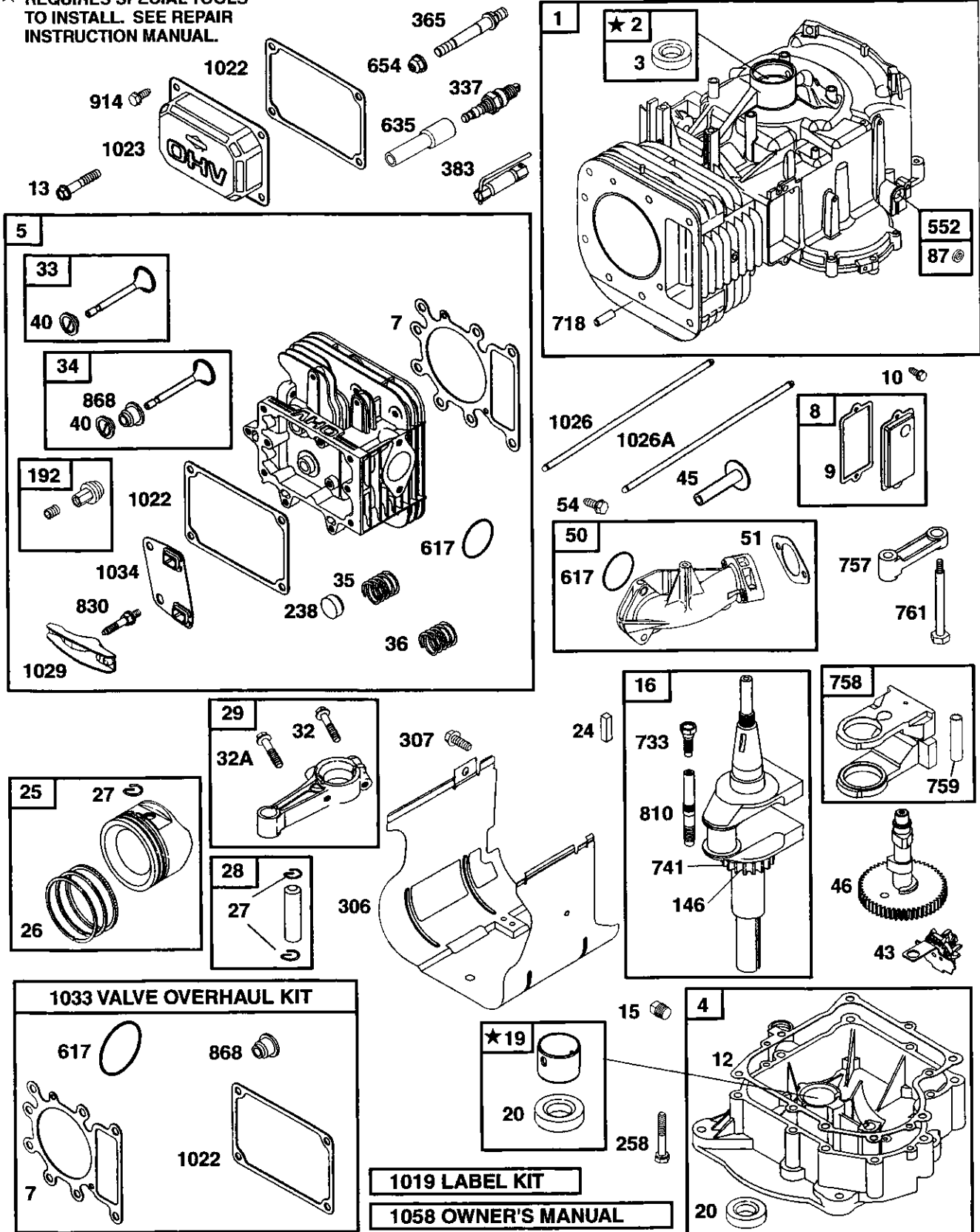
NOTE: All component dimensions given in U.S. inches
1 inch = 25.4 mm

REPAIR PARTS

TRACTOR - - MODEL NUMBER 917.258440

BRIGGS & STRATTON ENGINE - - MODEL NUMBER 28U707, TYPE NUMBER 1175-E1

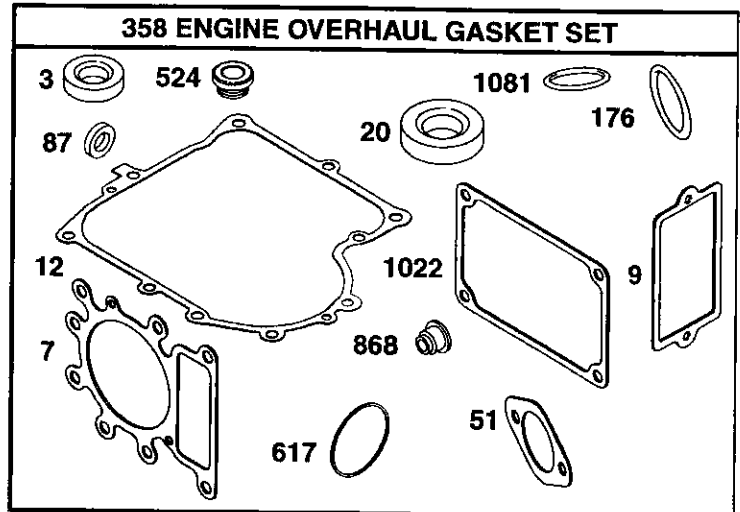
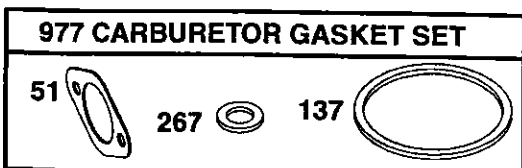
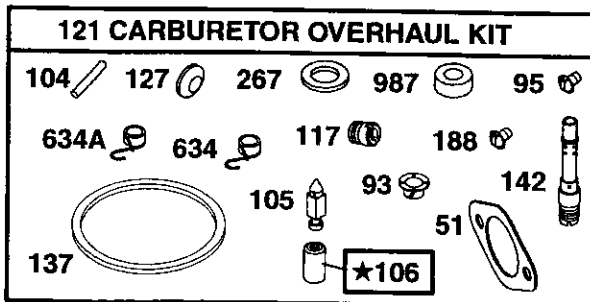
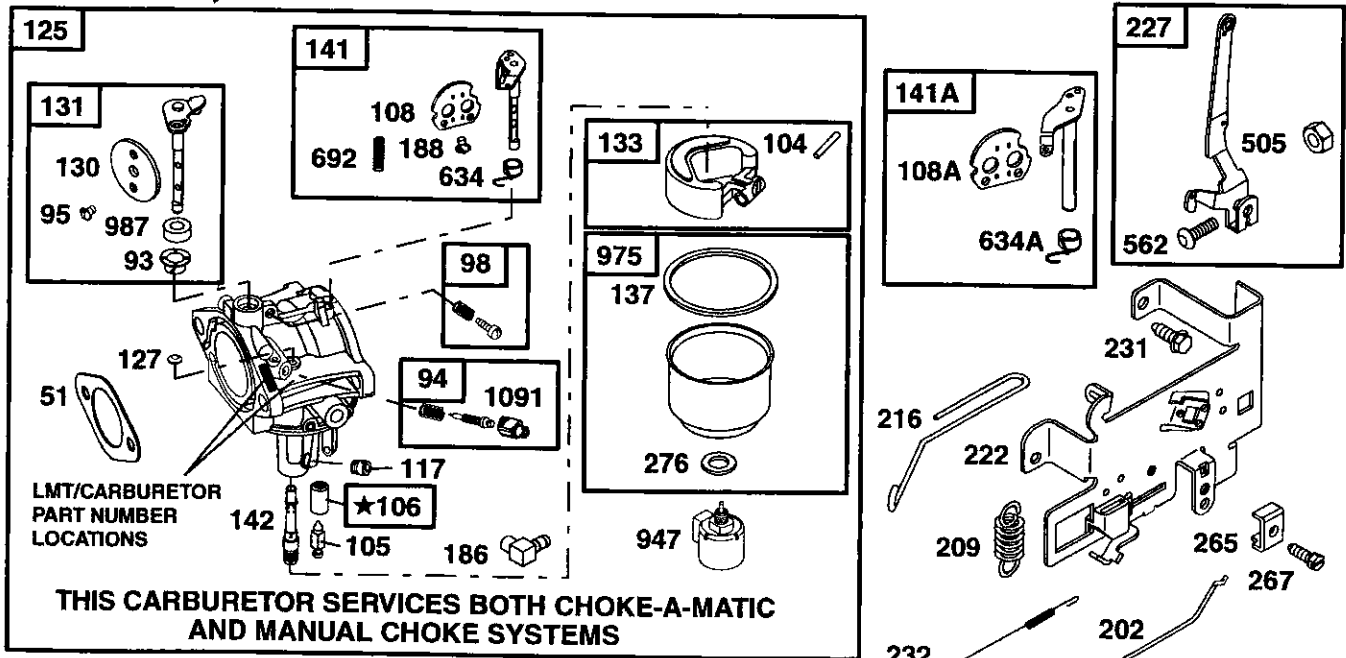
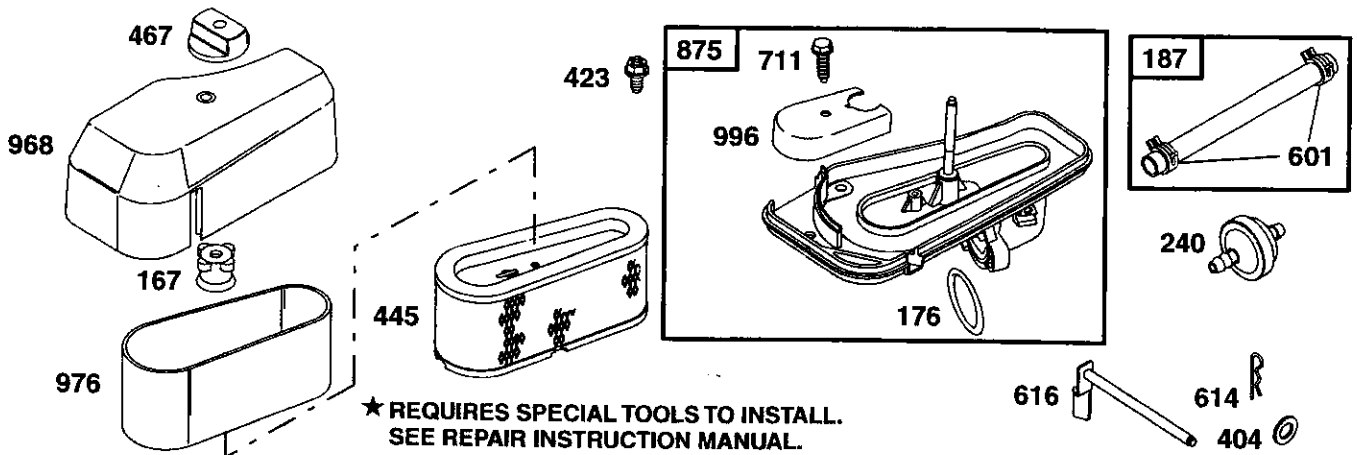
★ REQUIRES SPECIAL TOOLS TO INSTALL. SEE REPAIR INSTRUCTION MANUAL.



REPAIR PARTS

TRACTOR - - MODEL NUMBER 917.258440

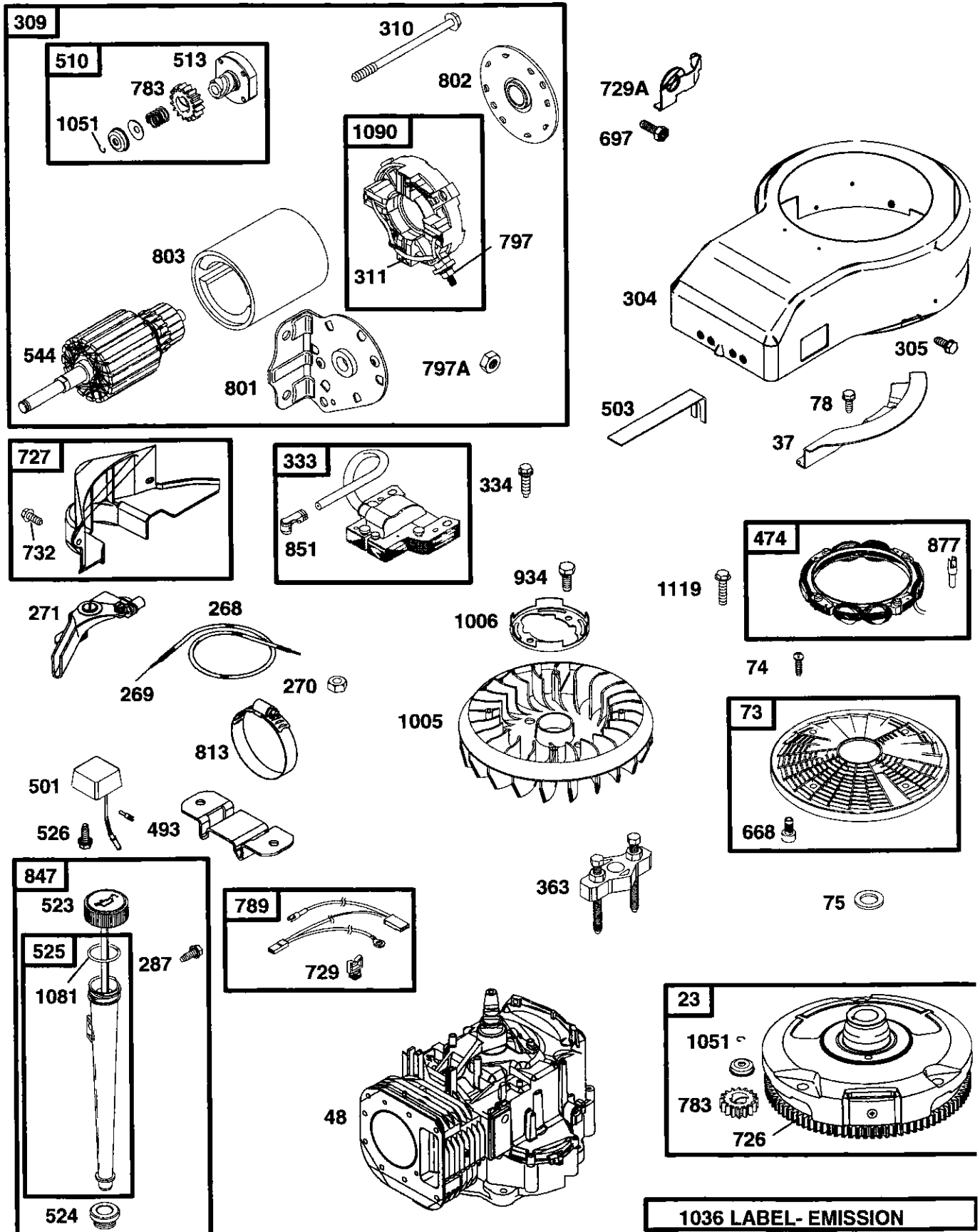
BRIGGS & STRATTON ENGINE - - MODEL NUMBER 28U707, TYPE NUMBER 1175-E1



REPAIR PARTS

TRACTOR - - MODEL NUMBER 917.258440

BRIGGS & STRATTON ENGINE - - MODEL NUMBER 28U707, TYPE NUMBER 1175-E1



1036 LABEL- EMISSION

REPAIR PARTS

TRACTOR - - MODEL NUMBER 917.258440

BRIGGS & STRATTON ENGINE - - MODEL NUMBER 28U707, TYPE NUMBER 1175-E1

KEY NO.	PART NO.	DESCRIPTION	KEY NO.	PART NO.	DESCRIPTION
1	496412	Cylinder Assembly	98	495800	Kit-Idle Speed
2	399265	Bushing/Seal Kit	104	231789	∅ Pin-Float Hinge
3	391086	• Seal-Oil	105	231855	∅ Valve-Float Needle
4	494238	Sump-Engine	106	231854	∅ Seat-Inlet
5	691165	Head-Cylinder	108	224558	Valve-Choke (LMT 155)
7	273280	*+ Gasket-Cylinder Head	108A	224540	Valve-Choke (LMT 154)
8	495735	Breather Assembly	117	232118	∅ Jet, Main
9	27803	• Gasket-Breather	121	690191	Carburetor Overhaul Kit
10	94621	Screw (Breather Assembly)	125	499153	Carburetor
12	271916	• Gasket-Crankcase (.015" Thick, Std.)	127	— — —	∅ Plug-Welch (Sold in Kit Only)
	271997	• Gasket-Crankcase (.005" Thick)	130	224539	Valve-Throttle
	271996	• Gasket-Crankcase (.009" Thick)	131	494379	Throttle Shaft Kit
13	94728	Screw (Cylinder Head)	133	494381	Float-Carburetor
15	94239	Plug-Oil Drain	137	281165	∅‡ Gasket-Float Bowl
16	495162	Crankshaft	141	495097	Choke Shaft Kit (LMT 155)
20	291675	• Seal-Oil	141A	495931	Choke Shaft Kit (LMT 154)
23	693556	Flywheel (Includes Steel Pinion Gear)	142	232117	∅ Nozzle-Carburetor
24	222698	Key-Flywheel	146	94196	Key-Timing
25	499284	Piston Assembly (Std.)	165	693148	Nut (Ring Gear)
	499288	Piston Assembly (.010 "O.S.)	167	281051	Seal-Air Cleaner Stud
	499292	Piston Assembly (.020 "O.S.)	176	281106	• O-Ring Seal (Air Cleaner Base)
	499296	Piston Assembly (.030 "O.S.)	186	493496	Connector-Hose
26	495854	Ring Set, Piston (Std.)	187	298049	Line-Fuel (Cut to Required Length)
	495852	Ring Set (.010 "O.S.)	188	94098	Screw (Choke Valve)
	495851	Ring Set (.020 "O.S.)	192	492160	Adjuster, Rocker Arm
	495855	Ring Set (.030 "O.S.)	202	262767	Link-Mechanical Governor
27	263129	Lock-Piston Pin	209	260695	Spring, Governor
28	498319	Pin-Piston (Std.)	216	262766	Link-Choke
	498320	Pin Assembly-Piston (.005" O.S.)	222	495611	Bracket, Control
29	494504	Rod-Connecting (Std.)	227	493935	Lever-Governor
	495490	Rod-Connecting (.020 U.S.)	231	94620	Screw (Control Bracket)
32	94695	Screw (Connecting Rod)(1-7/8")	232	262785	Spring-Link
32A	94648	Screw (Connecting Rod)(1-5/8")	238	262836	Cap, Valve
33	495856	Valve-Exhaust	240	394358	Filter-Fuel
34	495857	Valve, Intake	258	95187	Screw (Engine Sump)
35	262811	Spring, Intake Valve	265	221535	Clamp-Casing
36	262811	Spring, Exhaust Valve	267	93496	Screw (Casing Clamp)
37	224502	Guard-Flywheel	268	65616	Casing-Control Wire (Cut to Required Length)
40	224641	Retainer, Valve	269	26633	Wire-Control (Cut to Required Length)
43	490815	Governor-Oil Slinger	270	63426	Nut (Control Wire Casing)
45	262411	Tappet, Valve	271	290568	Lever-Control
46	496884	Cam Gear	276	281164	∅‡ Sealing Washer
48	496050	ShortBlock	287	94903	Screw (Oil Fill Tube)
50	690193	Manifold, Intake	304	496280	Housing-Blower
51	273650	∅‡ Gasket-Intake	305	94786	Screw (Blower Housing)
54	95160	Screw (Intake Manifold)	306	224696	Shield, Cylinder
73	494439	Screen-Rotating	307	94930	Screw (Cylinder Shield)
74	94832	Screw (Rotating Screen)			
75	224061	Washer (Flywheel)			
78	93705	Screw (Flywheel Guard)			
87	491323	• Seal-Governor Shaft			
93	281346	∅ Bushing-Throttle Shaft			
94	498030	Kit-Idle Adjustment			
95	94098	∅ Screw (Throttle Valve)			

RPM Settings: Low Speed: 1900-2100
High Speed: 3000-3200

- Included in Gasket Set, Ref Number 358.
- ∅ Included in Carburetor Kit, Ref Number 121.
- ‡ Included in Carburetor Gasket Set, Ref Number 977.
- + Included in Valve Overhaul Kit, Ref Number 1033.

NOTE: All component dimensions given in U.S. inches
1 inch = 25.4 mm

REPAIR PARTS

TRACTOR - - MODEL NUMBER 917.258440

BRIGGS & STRATTON ENGINE - - MODEL NUMBER 28U707, TYPE NUMBER 1175-E1

KEY NO.	PART NO.	DESCRIPTION	KEY NO.	PART NO.	DESCRIPTION
309	693551	Motor-Starter(For Steel Ring Gear Only)	758	692423	Counterweight
310	94003	Bolt (Starter Motor)	759	230787	Pin-Counterweight
311	497608	Brush Set	761	94593	Screw (Counterweight)
333	495859	Armature, Magneto	783	693713	Gear-Pinion
334	94731	Screw (Magneto Armature)	789	497708	Harness, Wiring
337	491055	Spark Plug	797	693167	Nut (Brush Retainer)
358	691580	Engine Overhaul Gasket Set	801	497626	Cap-Drive
363	19203	Flywheel Puller	802	497607	Cap-End
365	690227	Stud (Carburetor)	803	497604	Housing-Starter
383	89838	Wrench-Spark Plug	810	231828	Extension Crankshaft
404	94742	Washer (Governor Crank)	813	393514	Clamp
423	692129	Screw (Air Cleaner Base)	830	94555	Stud-Rocker Arm
445	496894	Filter-Air Cleaner Cartridge	847	496415	Dipstick/Tube Assembly
467	493903	Knob-Air Cleaner	851	224110	Terminal-Cable
474	392595	Alternator	868	499236	*+ Seal- Valve
493	222934	Bracket-Mounting	875	495862	Base, Air Cleaner
501	491546	Regulator	877	393537	Wire-Alternator
503	806000	Strap-Starter	914	94863	Screw (Rocker Cover)
505	231978	Nut (Governor Lever)	934	94627	Screw (Fan Retainer)
510	693699	Drive, Starter	947	497672	Solenoid-Fuel
513	398003	Clutch-Drive	967	272403	Filter-Pre Cleaner
523	495230	Dipstick	968	281361	Cover, Air Cleaner
524	281370	• Seal-Fill Tube	975	495933	Bowl-Float
525	496113	Tube-Oil Fill	977	690192	Carburetor Gasket Set
526	94137	Screw (Regulator)	987	281166	∅ Seal-Throttle Shaft
544	497603	Armature-Starter	996	690678	Shield-Carburetor
552	491986	Bushing-Governor Crank	1005	281400	Fan-Flywheel
562	92613	Bolt (Governor Lever)	1006	224413	Retainer-Fan
579	92278	Nut (Starter Cable)	1019	496758	Label Kit
601	93053	Clamp-Hose	1022	272475	*+ Gasket-Rocker Cover
607	94620	Screw (Air Cleaner Base)	1023	224552	Cover-Rocker
614	93306	Pin-Cotter	1026	494432	Rod-Push (Intake)
616	495157	Crank-Governor	1026A	495136	Rod-Push (Exhaust)
617	693138	*+ O-Ring Seal (Intake Manifold)	1029	224554	Arm-Rocker
634	494453	∅ Seal & Spring Assembly (LMT 155)	1033	691581	Valve Overhaul Kit
634A	494455	∅ Seal & Spring Assembly (LMT 154)	1034	495248	Guide-Push Rod
635	280872	Boot, Spark Plug	1036	499364	Emissions Label
646	224546	Brace-Air Cleaner	1051	263080	Ring-Retaining
654	94010	Nut (Carburetor)	1058	273683	Owner's Manual
668	805402	Spacer	1081	270920	• O-Ring Seal
692	262715	Spring-Detent	1090	497605	Retainer-Brush
695	693109	Screw (Ring Gear)	1091	281364	Cap-Limiter
697	94773	Screw (Drive Cap)	1119	93621	Screw (Alternator)
711	94704	Screw (Carburetor Shield)	—	311707-0026-E1	Replacement Engine
718	230192	Pin-Locating			
726	—	Gear Ring (Steel-Serviced By Ref. No. 23 Only)			
727	490324	Cover, Starter Drive			
729	281390	Clip, Wire			
729A	691224	Clip, Wire			
732	94903	Screw (Starter Drive Cover)			
733	94673	Screw (Crankshaft Extension)			
741	262932	Gear-Timing			
757	213998	Link-Counterweight			

RPM Settings: Low Speed: 1900-2100
High Speed: 3000-3200

- Included in Gasket Set, Ref Number 358.
- ∅ Included in Carburetor Kit, Ref Number 121.
- ‡ Included in Carburetor Gasket Set, Ref Number 977.
- + Included in Value Overhaul Kit, Ref Number 1033.

NOTE: All component dimensions given in U.S. inches
1 inch = 25.4 mm