



REPAIR PARTS MANUAL
MODEL NO. 258780
Lawn Tractor

CRAFTSMAN®

HOW TO USE THIS MANUAL

This manual is designed to provide the customer with a means to identify the parts on his/her tractor when ordering repair parts. The illustrations may or may not represent the actual assemblies; therefore, it is not recommended to use this manual as a guide to assemble or disassemble the tractor. Some hardware and parts are drawn larger in order to more readily identify them.

Each tractor has its own model number.

The model number for your tractor can be found on the fender under the seat.

When ordering parts, always give the following information:

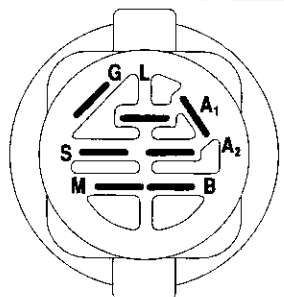
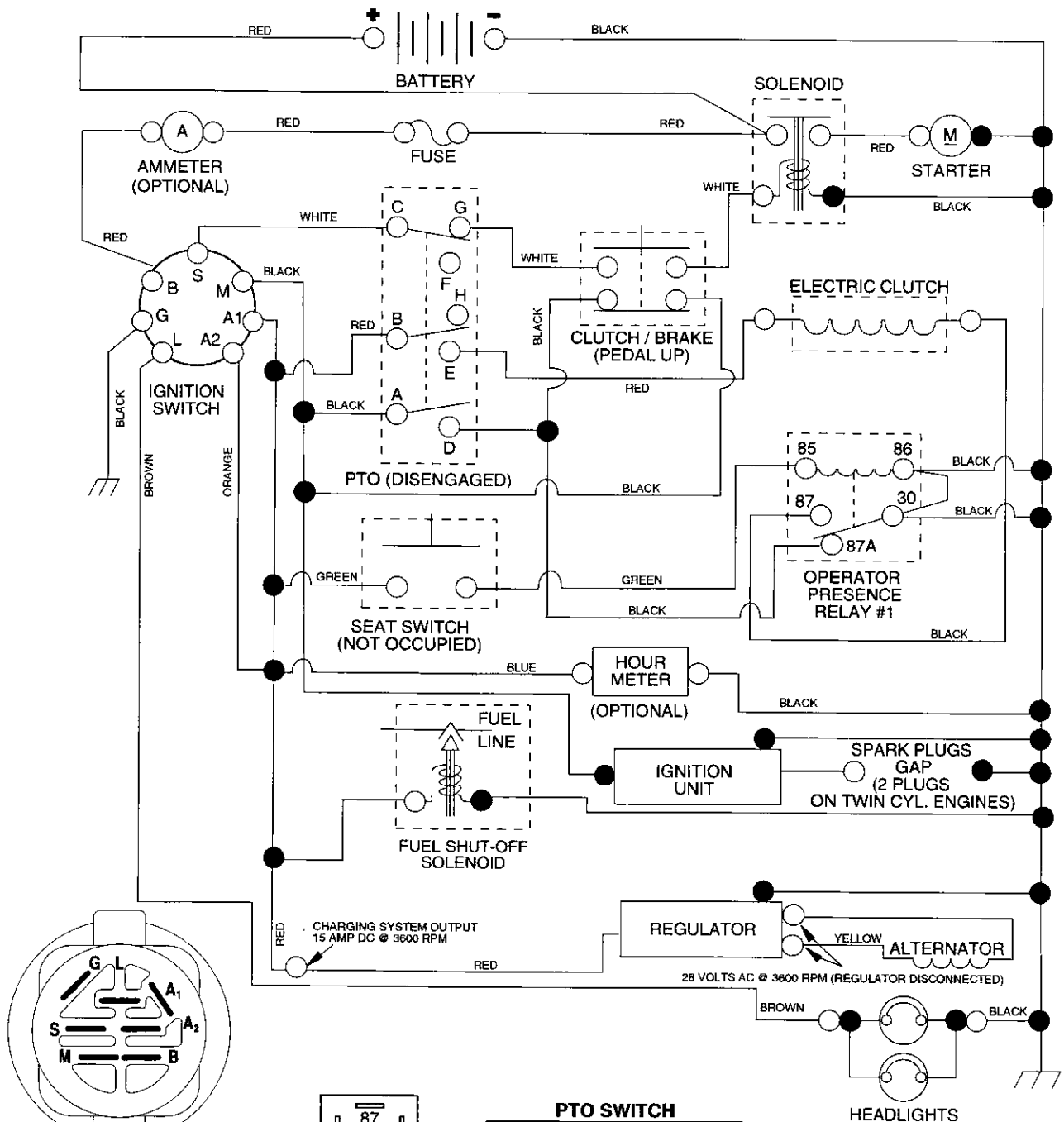
- Product - "Tractor"
- Model Number - "258780"
- Part Number
- Part Description

TABLE OF CONTENTS

SCHEMATIC.....	3
ELECTRICAL.....	4-5
CHASSIS.....	6-7
DRIVE.....	8-9
STEERING.....	10-11
SEAT.....	12
DECALS.....	13
ENGINE.....	14-15
MOWER LIFT.....	16-17
MOWER DECK.....	18-19
TRANSAXLE.....	20-23
ENGINE BREAKDOWN.....	24-31
WARRANTY.....	32

TRACTOR- -MODEL NO. 917. 258780

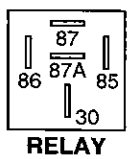
SCHEMATIC



IGNITION SWITCH

POSITION	CIRCUIT	"MAKE"
OFF	M + G + A1	NONE
ON + LIGHTS	B + A1	L + A2
ON	B + A1	NONE
START	B + S + A1	NONE

WIRING INSULATED CLIPS
NOTE: IF WIRING INSULATED CLIPS WERE REMOVED FOR SERVICING OF UNIT, THEY SHOULD BE REPLACED TO PROPERLY SECURE YOUR WIRING.



RELAY

PTO SWITCH

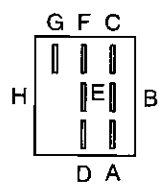
POSITION	CIRCUIT
OFF	C + G, B + H
ON	C + F, B + E, A + D



REMOVABLE CONNECTIONS



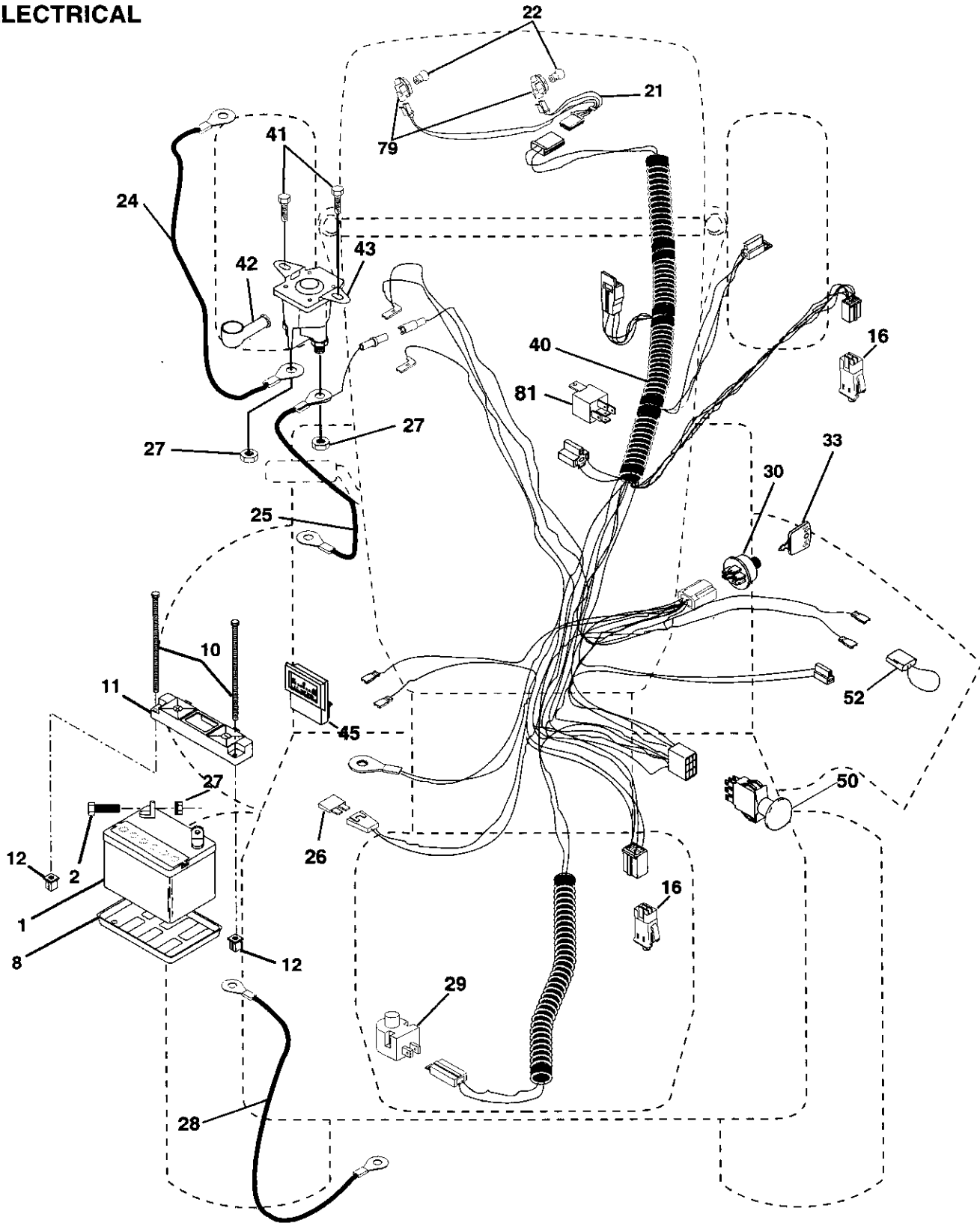
NON-REMOVABLE CONNECTIONS



REPAIR PARTS

TRACTOR- -MODEL NO. 917. 258780

ELECTRICAL



REPAIR PARTS

TRACTOR- -MODEL NO. 917. 258780

ELECTRICAL

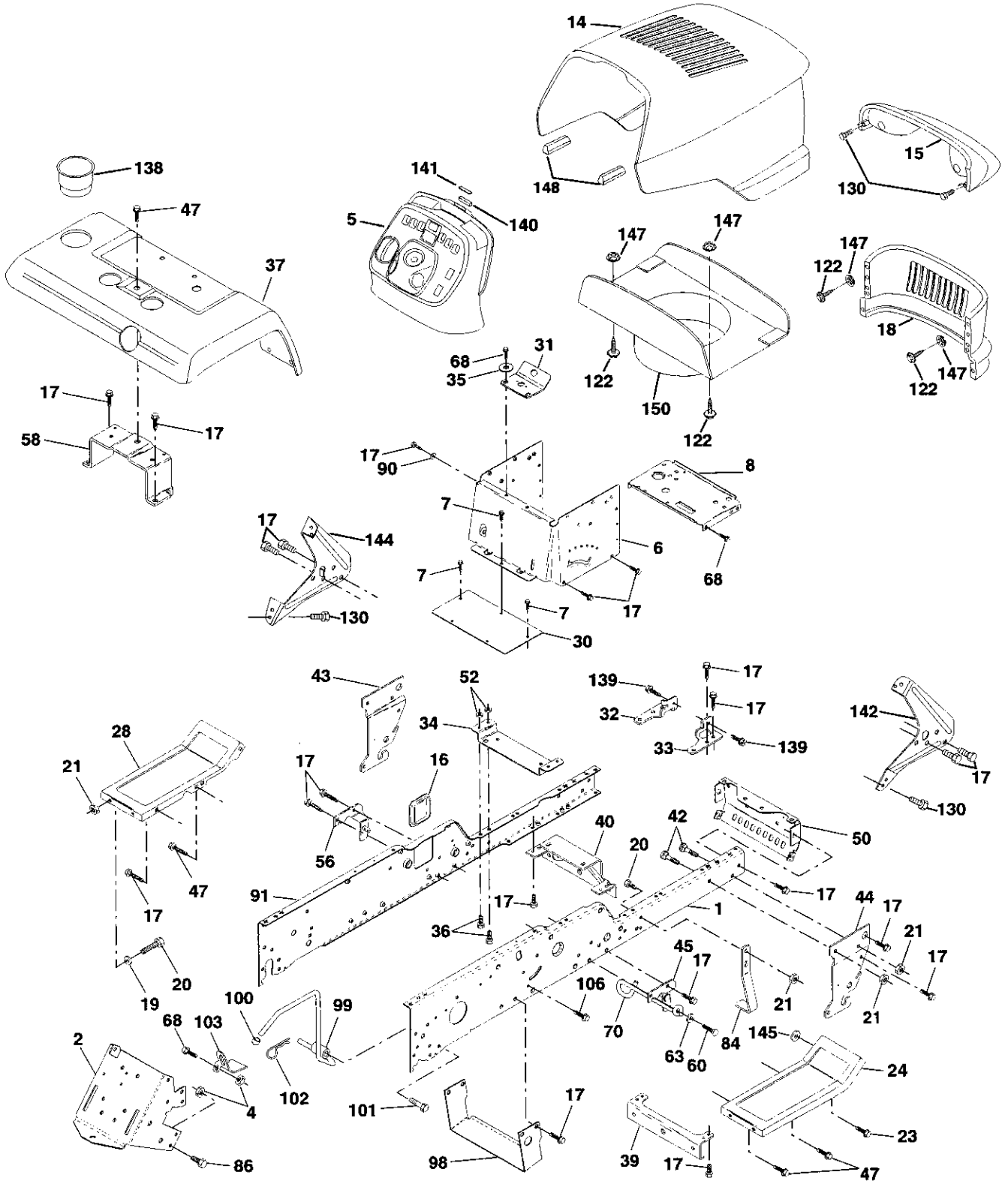
KEY NO.	PART NO.	DESCRIPTION
1	144927	Battery
2	74760412	Bolt Hex Head 1/4-20 x 3/4
8	7603J	Tray, Battery
10	145211	Bolt 1/4-20 x 7.5 Zinc
11	150109	Hold down Battery Dash Mount
12	145769	Nut Push Nylon 1/4"
16	153664	Switch Interlock Push-In
21	166184	Harness Socket Light W/4152J
22	4152J	Bulb Light
24	4014J	Cable, Battery
25	146686	Cable, Battery
26	108824X	Fuse
27	73510400	Nut Keps Hex 1/4-20 Unc
28	170697	Cable, Ground
29	160784	Switch, Plunger
30	163968	Switch, Ign
33	140403	Key, Ignition
40	170238	Harness Ign.
41	17720408	Screw 1/4-20 x 1/2
42	131563	Cover, Terminal
43	145673	Solenoid
45	122822X	Ammeter
50	169416	Switch, PTO
52	141940	Protection Wire Loop
79	163996	Bulbholder Asm Incandescent SV
81	109748X	Relay Asm.

NOTE: All component dimensions given in U.S. inches.
1 inch = 25.4 mm.

REPAIR PARTS

TRACTOR- -MODEL NO. 917. 258780

CHASSIS AND ENCLOSURES



REPAIR PARTS

TRACTOR- -MODEL NO. 917. 258780

CHASSIS AND ENCLOSURES

KEY NO.	PART NO.	DESCRIPTION
1	150253	Rail, Frame RH
2	140506	Drawbar, Gt
4	73800700	Nut, Lock Hex 7/16 Unc
5	163976X428	Dash YGTG 2 Cyl
6	157882	Dash, Lower Vgt One Piece
7	17720408	Screw, Thd Cut 1/4-20 x 1/2
8	145166	Support, Battery
14	161023X558	Hood Asm., Pnt YGTG
15	160568	Lens Asm Headlight Bar
16	121794X	Cover, Access
17	17060612	Screw 3/8-16 x .75
18	160564X558	Grille
19	19131312	Washer 13/32x13/16x12 Ga.
20	STD523710	Bolt, Fin Hex 3/8-16 x 1
21	STD541437	Nut Crownlock 3/8-16 Unc
23	17060616	Screw 3/8-16 x1.5
24	145243X558	Footrest, RH
28	145244X558	Footrest, LH
30	145052	Saddle, Hydro
31	161419	Brace, Supt 1-pc VGT
32	161327	Bracket, Pivot Chassis Lh
33	161326	Bracket, Pivot Chassis Rh
34	142131	Bracket, Engine Support Rear
35	19111116	Washer 11/32x11/16x16 Ga.
36	STD522507	Bolt, Fin Hex 5/16-18 x 3/4
37	167287X558	Fender Pnt
39	136961	Bracket, Axle Front
40	156111	Bracket, Support Axle/Engine
42	STD533710	Bolt, Carriage 3/8-16 x 1
43	136939	Bracket, Spnsn Front Lh
44	136940	Bracket, Spnsn Front Rh
45	154913	Bracket Asm., Susp Chas. Rh
47	17490608	Screw Thdrol. 3/8-16 x 1/2

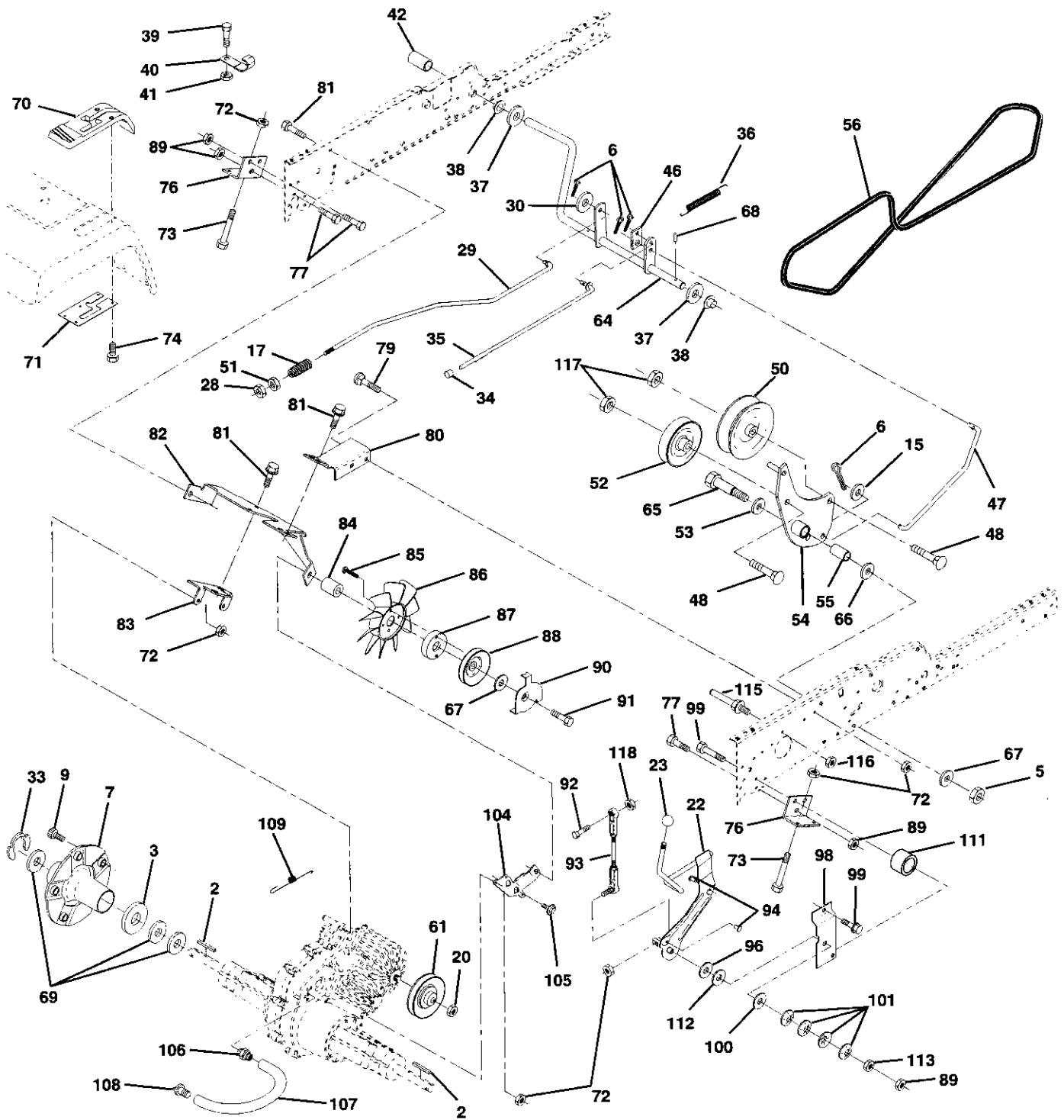
KEY NO.	PART NO.	DESCRIPTION
50	152728	Bracket, Chassis Front
52	STD541431	Nut, Crownlock 5/16-18 Unc
56	154914	Bracket Asm., Susp Chas. Lh
58	137113	Bracket Asm., Fender
60	17490620	Screw Thdrol. 3/8-16 x 1-1/4
63	19131614	Washer 13/32 x 1 x 14 Ga.
68	17490508	Screw Thdrol. 5/16-18 x 1/2
70	137159	Guide, Belt Mid Span
84	142992	Stop, Over Center Mower
86	74760716	Bolt Fin Hex 7/16-14 UNC x 1
90	STD551237	Washer, Lock Ext. Tooth 3/8
91	170755	Rail, Frame Lh
98	140503	Bracket Skid Chassis
99	140871	Rod By Pass
100	71673	Cap By Pass Rod
101	17490628	Screw Thdrol 3/8-16 x 1-3/4
102	STD624003	Retainer, Spring
103	142273	Lock, By Pass
106	138776	Bolt 5/16-18 TT
122	161464	Screw Hex Wshd 8-18 x 7/8
130	164863	Screw Hwhd Hi-Lo #13-16x3/4
138	163975X428	Cup Holder
139	161330	Bolt Shoulder 5/16-18 TT
140	163806	Magnet YGTG
141	163805	Striker Plate YGTG
142	161897	Bracket Dash Rh
144	161900	Bracket Dash Lh
145	19131414	Washer Flat 13/32x7/8x14 Ga.
147	162967	Fastener Nut Pal
148	164655	Extrusion Bumpers
150	161237	Duct Heat Hood

NOTE: All component dimensions given in U.S. inches.
1 inch = 25.4 mm.

REPAIR PARTS

TRACTOR- -MODEL NO. 917.258780

DRIVE



REPAIR PARTS

TRACTOR- -MODEL NO. 917.258780

DRIVE

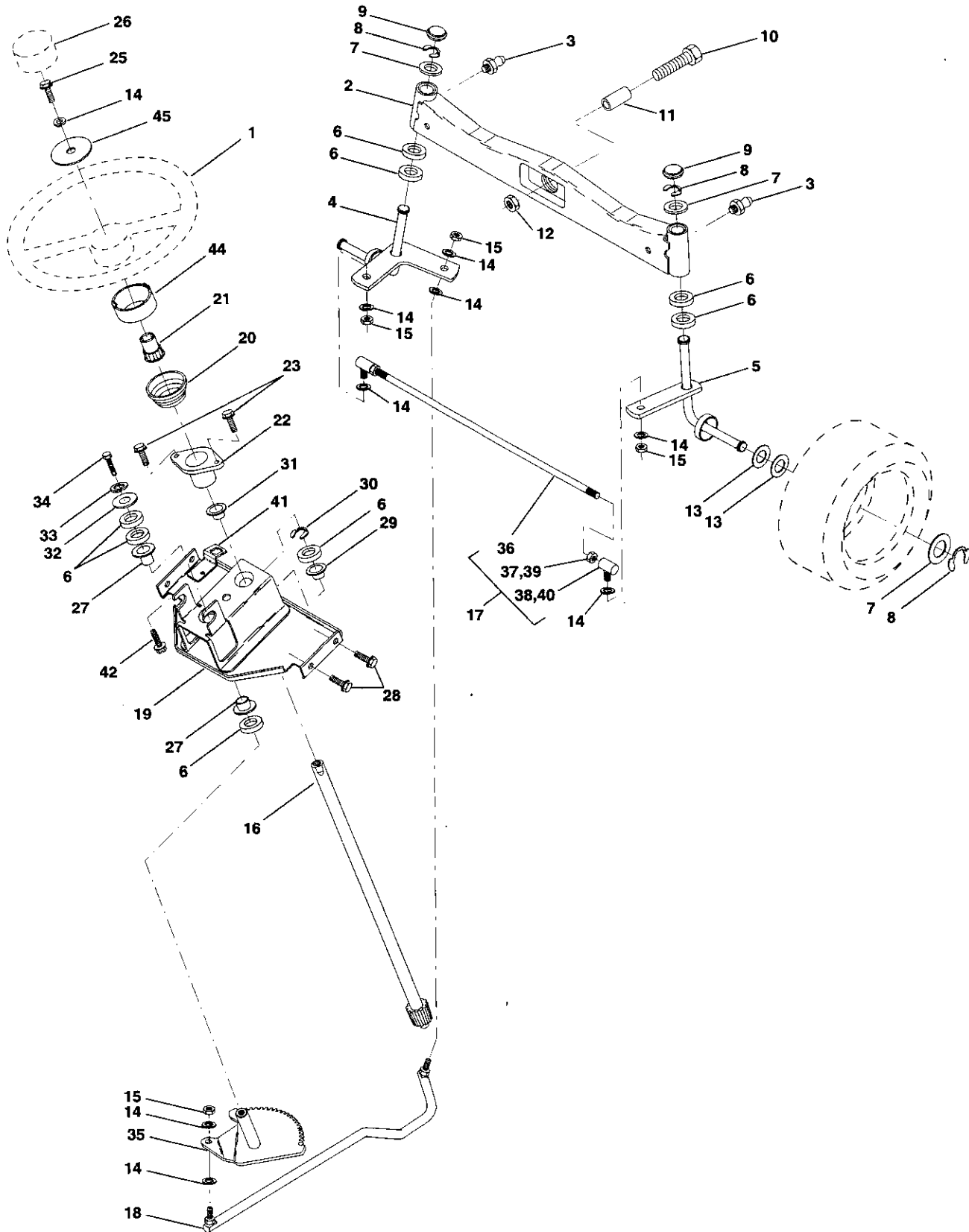
KEY NO.	PART NO.	DESCRIPTION	KEY NO.	PART NO.	DESCRIPTION
1	-----	Transaxle (See Breakdown) Hydro Gear 222-3010	71	151179	Plate Console Shift
2	7070E	Key 1/4 x 2.5	72	STD541431	Nut, Crownlock 5/16-18
3	7563R	Washer, Thrust, Axle	73	74490548	Bolt Hex Flghd 5/16-18x3 Gr5
5	STD541437	Nut, Crownlock 3/8-16	74	142432	Screw Hex Wsh. Hi-Lo 1/4-12
6	STD561210	Pin, Cotter	76	140481	Bracket Transaxle
7	140507	Wheel, Hub Assembly	77	74760716	Bolt Fin Hex 7/16-14 x 1
9	140080	Bolt, Hub	79	72110505	Bolt Carriage 5/16-18 x 5/8
15	STD551037	Wahser 13/32x13/16x16 Ga.	80	140484	Bracket Torque RH
17	140921	Spring	81	17060612	Screw 3/8-16 x 3/4
20	73940800	Nut Hex Jam Toplock 1/2-20	82	150586	Bracket Mount Torque/Fan
22	156103	Arm Asm Shift	83	140479	Strap Torque Mid
23	130564	Knob	84	140490	Spacer
28	STD541237	Nut	85	17541020	Screw #10-24 x 1-1/4
29	140494	Brake, Rod	86	140462	Fan 7" Hydro
30	19131616	Washer 13/32 x 1 x 16 Ga.	87	140491	Adapter Fan
33	12000053	Ring E	88	161592	Pulley Idler
34	124236X	Cap, Plunger	89	73680700	Nut Crownlock 7/16-14 Unc
35	137648	Rod, Parking Brake	90	140489	Keeper Belt
36	149412	Spring, Drive Ground	91	17490644	Screw Thdrol 3/8-16 x 2-3/4
37	121749X	Washer 25/32x1-1/4x16 Ga.	92	74760520	Bolt Fin Hex 5/16-18 x 1.25
38	150035	Nyliner	93	140502	Link Shift Asm
39	74321016	Screw, Fin. #10-24 x 1	94	133835	Fastener Christmas Tree
40	5304J	Actuator, Interlock Switch	96	141103	Washer Nickel Plated
41	73661000	Locknut #10-24	98	141004	Bracket Shift
42	8883R	Cover, Pedal	99	17060624	Screw 3/8-16 x 1-1/2
46	145170	Retainer, Spring	100	126881X	Washer Compression
47	138228	Clutch Rod	101	156106	Washer Belleville
48	72110612	Bolt, Carri. 3/8-16x1-1/2 Gr. 5	104	140480	Bracket Idler
50	131494	Pulley, Idler, Flat	105	17580408	Screw Tap 1/4-20 x 1/2
51	STD541437	Nut, Crownlock 3/8-16 UNC	106	142918	O-Ring Asm Hydro Gear 70110
52	139123	Pulley, Idler, Grooved	107	154739	Line Fuel Hydro 15" VGT
53	207J	Washer, Hardened	108	142917	Cap Asm Vent Hydro Gear 70109
54	161590	Clutch, Arm Assembly	109	140929	Spring Return Brake
55	105706X	Bearing, Idler	111	156240	Spacer Shift Lever VGTH
56	140218	V-Belt	112	156104	Washer Nylon High Temp
58	74760724	Bolt Fin Hex 7/16-14 x 1-1/2	113	73220700	Nut-Hex ASF 7/16-14 UNC
61	140488	Pulley, Transaxle	115	123405X	Keeper Belt T/A Gnd Dr
64	154752	Shaft, Clutch/Brake Pedal	116	73900500	Nut Lock Hex Flange 5/16-18
65	67609	Bolt, Shoulder	117	73900600	Nut, Lock Flg. 3/8-16
66	140296	Washer, Hardened	118	73800500	Nut Lock Hx W/Ins 5/16-18 Unc
67	19131312	Washer, Flat			
68	STD571812	Pin, Roll			
69	123800X	Washer			
70	164892X428	Console Automatic YT/GT			

NOTE: All component dimensions given in U.S. inches
1 inch = 25.4 mm

REPAIR PARTS

TRACTOR- -MODEL NO. 917.258780

STEERING ASSEMBLY



REPAIR PARTS

TRACTOR- -MODEL NO. 917.258780

STEERING ASSEMBLY

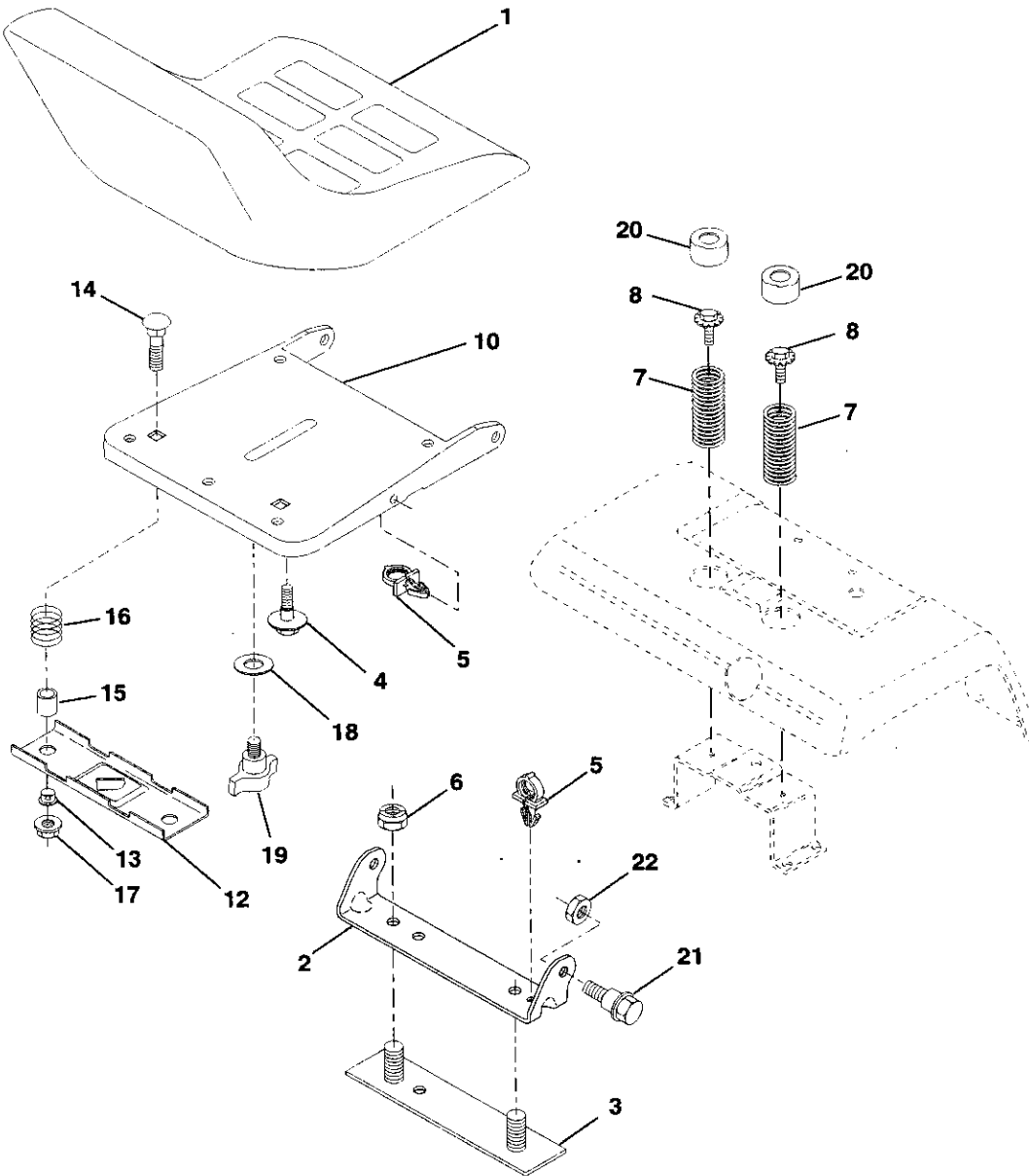
KEY NO.	PART NO.	DESCRIPTION
1	159944X428	Wheel, Steering
2	137094	Axle Asm., Front
3	6855M	Fitting, Grease
4	161849	Spindle Asm, LH
5	161848	Spindle Asm., RH
6	6266H	Bearing, Race Thrust Harden
7	121748X	Washer 25/32 x 1-5/8 x 16 Ga.
8	12000029	Ring, Klip #T5304-75
9	121232X	Cap, Spindle
10	74781044	Bolt, Fin Hex 5/8-11 x 2-3/4
11	136518	Spacer Bearing Axle Front
12	73901000	Nut, Lock Flange 5/8-11 Unc
13	121749X	Washer 25/32 x 1-1/4 x 16 Ga.
14	STD551137	Washer, Lock Hvy Hlcl Spr 3/8
15	STD541537	Nut, Lock Center 3/8-24 UNF
16	145103	Shaft Asm., Steering
17	137347	Rod Asm., Tie Ball J Ball Vgt (Inc. Key No. 36-40)
18	137155	Draglink, Ball Joint Solid Vgt
19	156011	Support Asm., Steering Vgt
20	163887	Boot, Steering
21	159945	Adapter, Wheel Steering
22	155105	Bushing, Strg. Blk
23	152927	Screw
25	74780616	Bolt, Fin Hex 3/8-16 x 1 Gr. 5
26	159946X428	Cap, Wheel Steering
27	3366R	Bearing, Col. Strg.
28	17000612	Screw, 3/8-16 x 3/4
29	104239X	Bearing, Flange
30	12000034	Ring, Klip Truarc #5304-75
31	138136	Bushing, Nyliner Snap
32	19111610	Washer 11/32 x 1 x 10 Ga.
33	STD551131	Washer, Lock Hvy Hlcl Spr 5/16
34	74760512	Bolt, Hex Hd 5/16-18 x 3/4
35	138059	Gear, Sector Steering
36	137156	Tie Rod
37	73360600	Jam Nut RH Thread
38	109850X	Joint Asm. Ball RH Thread
39	73700600	Jam Nut LH Thread
40	109851X	Joint Asm. Ball LH Thread
41	155246	Bracket Switch Interlock VGT 97
42	17490508	Screw Thdrol 5/16-18 x 1/2 Tyt
44	160135	Extension, Steering
45	19132411	Washer 13/32 x 1-1/20 x 11 Ga.

NOTE: All component dimensions given in U.S. inches.
1 inch = 25.4 mm.

REPAIR PARTS

TRACTOR- -MODEL NO. 917.258780

SEAT ASSEMBLY



KEY NO.	PART NO.	DESCRIPTION
1	140124	Seat
2	140551	Bracket, Pivot Seat
3	140675	Strap, Fender
4	127018X	Bolt, Shoulder 5/16-18 x .62
5	145006	Clip, Push In, Hinged
6	STD541437	Nut, Crownlock 3/8-16 Unc
7	124181X	Spring, Seat Cprsn
8	171877	Bolt 5/16-18Uncx3/4 w/Sems
10	155925	Pan, Seat
12	121246X	Bracket, Mounting Switch
13	121248X	Bushing, Snap

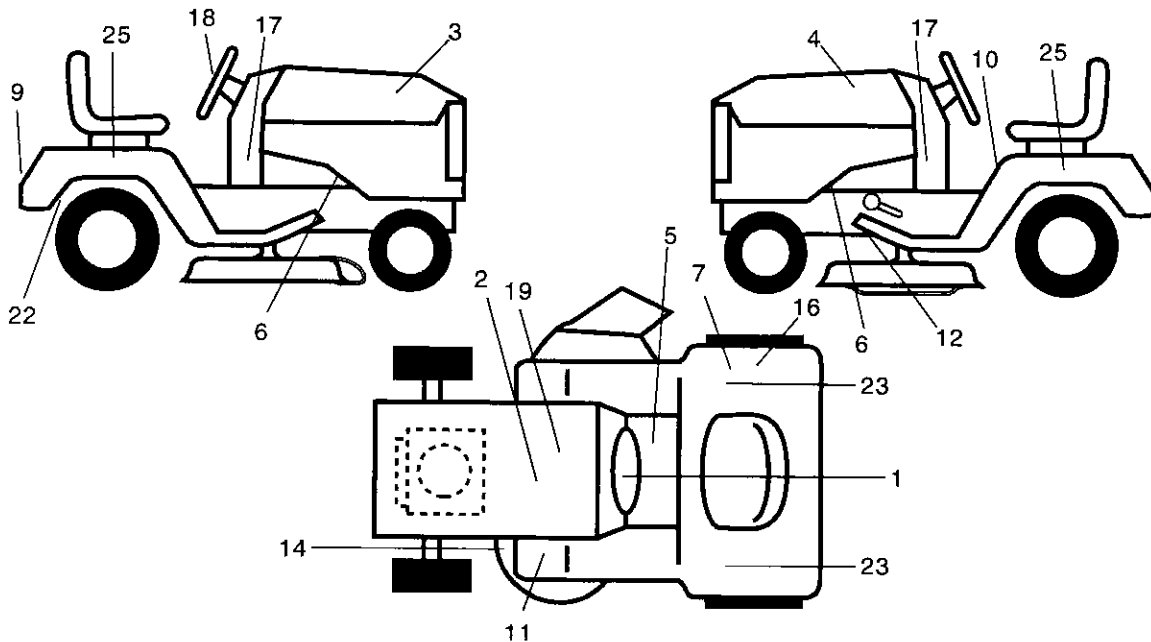
KEY NO.	PART NO.	DESCRIPTION
14	72050412	Bolt, Carriage 1/4-20 X 1-1/2
15	121249X	Spacer, Split
16	123740X	Spring, Cprsn
17	123976X	Nut, Lock 1/4 Lge Flg Gr. 5
18	19171912	Washer 17/32x1-3/16x12 Ga.
19	166369	Knob, Seat
20	124238X	Cap, Spring Seat
21	171852	Bolt, Shoulder 5/16-18
22	STD541431	Nut, Crownlock 5/16-18 Unc

NOTE: All component dimensions given in U.S. inches.
1 inch = 25.4 mm

REPAIR PARTS

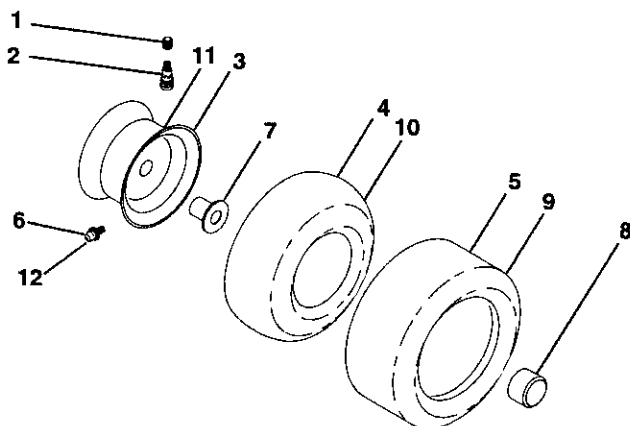
TRACTOR- -MODEL NO. 917.258780

DECALS



KEY NO.	PART NO.	DESCRIPTION	KEY NO.	PART NO.	DESCRIPTION
1	164487	Decal Dash	16	125027X	Decal 105 DBA
2	149516	Decal Battery DNGR/PSN ENG Asm	17	174174	Decal Dash Panel
3	171702	Decal Hood RH Craftsman	18	164065	Decal Insert Strg
4	171703	Decal Hood LH Craftsman	19	138047	Decal Battery
5	140837	Decal Brake Parking Saddle	22	142342	Decal Drawbar CNTRL
6	159736	Decal Chassis Hot Muffler	23	106202X	Reflectro, Taillight
7	145437	Decal Europe Stand CE	25	163223	Decal Fender Auto Trans
9	163204	Decal, Fender Craftsman	--	138311	Decal Handle Lft Height Adjust (Lift Handle)
10	145498	Decal Read Owners Manual	--	162598	Decal Drawbar Load Limit
11	159737	Decal Clutch/Brake	--	174151	Manual Operator's (Euro)
12	146790	Decal V-Belt Dr Sch	--	174152	Manual Operator's (Scan)
14	160397	Decal V-Belt Schem	--	174153	Manual Parts

WHEELS & TIRES



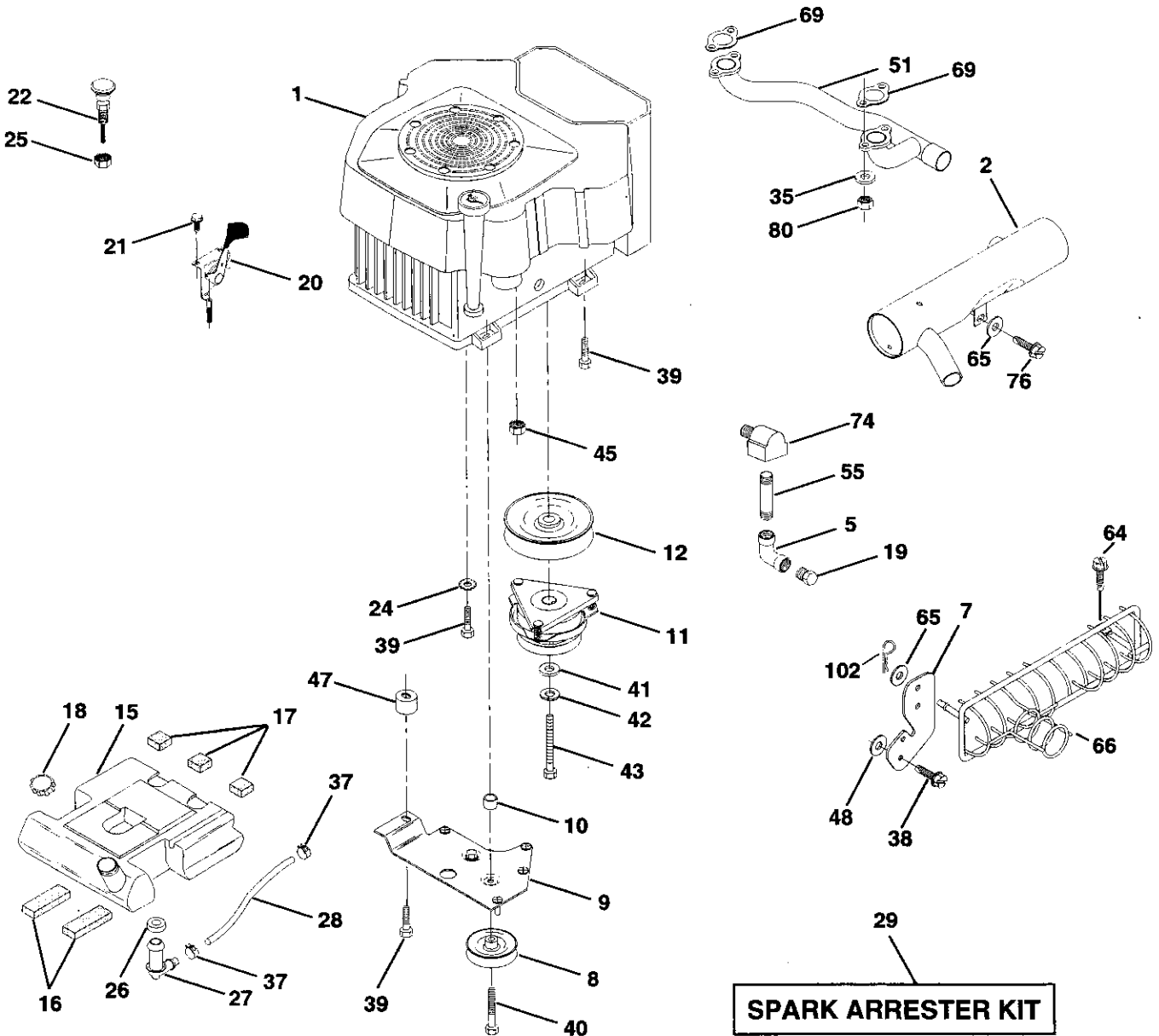
KEY NO.	PART NO.	DESCRIPTION
1	59192	Cap Valve Tire
2	65139	Stem Valve
3	106228X427	Rim Asm Front
4	8134H	Tube, Front (Service Item Only)
5	106230X	Tire, Front
6	278H	Fitting Grease (Front Wheel Only)
7	9040H	Bearing Flange (Front Wheel Only)
8	104757X	Cap Axle (Front Wheel Only)
9	105588X	Tire Rear
10	7154J	Tube Rear (Service Item Only)
11	106227X427	Rim Asm Rear
12	6856M	Fitting Grease
--	144334	Sealant, Tire (10 oz. Tube)

NOTE: All component dimensions given in U.S. inches
1 inch = 25.4 mm

REPAIR PARTS

TRACTOR- -MODEL NO. 917.258780

ENGINE



REPAIR PARTS

TRACTOR- -MODEL NO. 917.258780

ENGINE

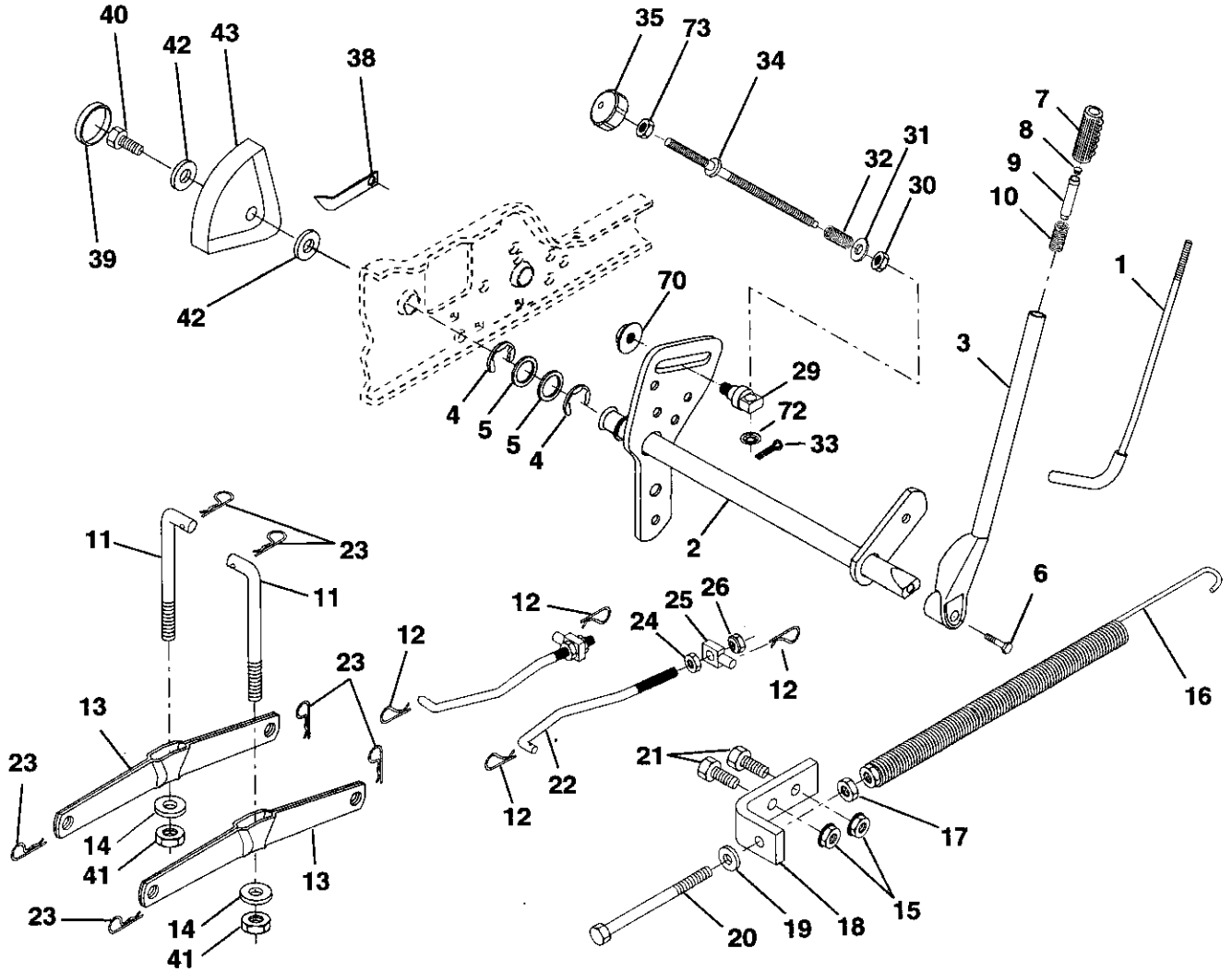
KEY NO.	PART NO.	DESCRIPTION
1	-----	Engine (See Breakdown) Kohler Model No. CV22-67551
2	161063	Muffler Side
5	13200300	Elbow STD 90 Degree 3/8 - 18 NPT
7	151397	Muffler Asm Guard
8	121361X	Pulley V-Idler
9	150828	Keeper Asm. Belt Engine
10	105432X	Bushing
11	140923	Clutch Electric
12	143996	Pulley Engine VGT Elect Clutch
15	151346	Tank Fuel Rear 3.50 Yt/Gt 96
16	109227X	Pad Spacer
17	106082X	Pad Spacer
18	161493	Cap Asm Fuel W/Gauge
19	13290300	Plug Oil Drain (See Engine Breakdown)
20	164067	Control Throttle
21	164863	Screw HWHD Hi-Lo #13-16 x 3/4
22	164415	Control Choke
24	STD551237	Washer Ext Tooth 3/8
25	73920600	Nut Keps 3/8 - 24 UNF
26	3645J	Bushing
27	139277	Stem Tank Fuel
28	7834R	Fuel Line
29	132920	Spark Arrester Kit
35	10010500	Washer Split
37	123487X	Clamp Hose
38	17060620	Screw 3/8-16 x 1-1/4
39	17490636	Screw TT 3/8-16 x 2-1/4 UNC
40	17490664	Screw TT 3/8-16 x 4 UNC
41	126197X	Washer 1-1/2 OD X 15/32 ID X .250
42	STD551143	Washer Lock 7/16
43	150280	Bolt Hex 7/16 - 20 X 4 - 1/4 Ga 5
45	73510400	Nut Keps Hex 1/4-20 Unc
47	142040	Spacer Engine
48	19132007	Washer 13/32 x 1-1/4 x 7 Ga.
51	161231	Manifold Pipe VGT
55	13280336	Nipple Pipe 4-1/2
64	17060616	Screw 3/8-16 x 1.5
65	19131614	Washer 13/32 x 1 x 14 Ga.
66	153113	Cage Muffler
69	24-041-02	Gasket
74	162295	Elbow Street Brass
76	17000612	Screw Hexwsh Thdrol 3/8-16 x 3/4 Ty-TT
80	M73030800	Nut Flange
102	STD624003	Retainer Spring 1" Zinc 1 Cad

NOTE: All component dimensions given in U.S. inches
1 inch = 25.4 mm

REPAIR PARTS

TRACTOR- -MODEL NO. 917.258780

MOWER LIFT



REPAIR PARTS

TRACTOR- -MODEL NO. 917.258780

MOWER LIFT

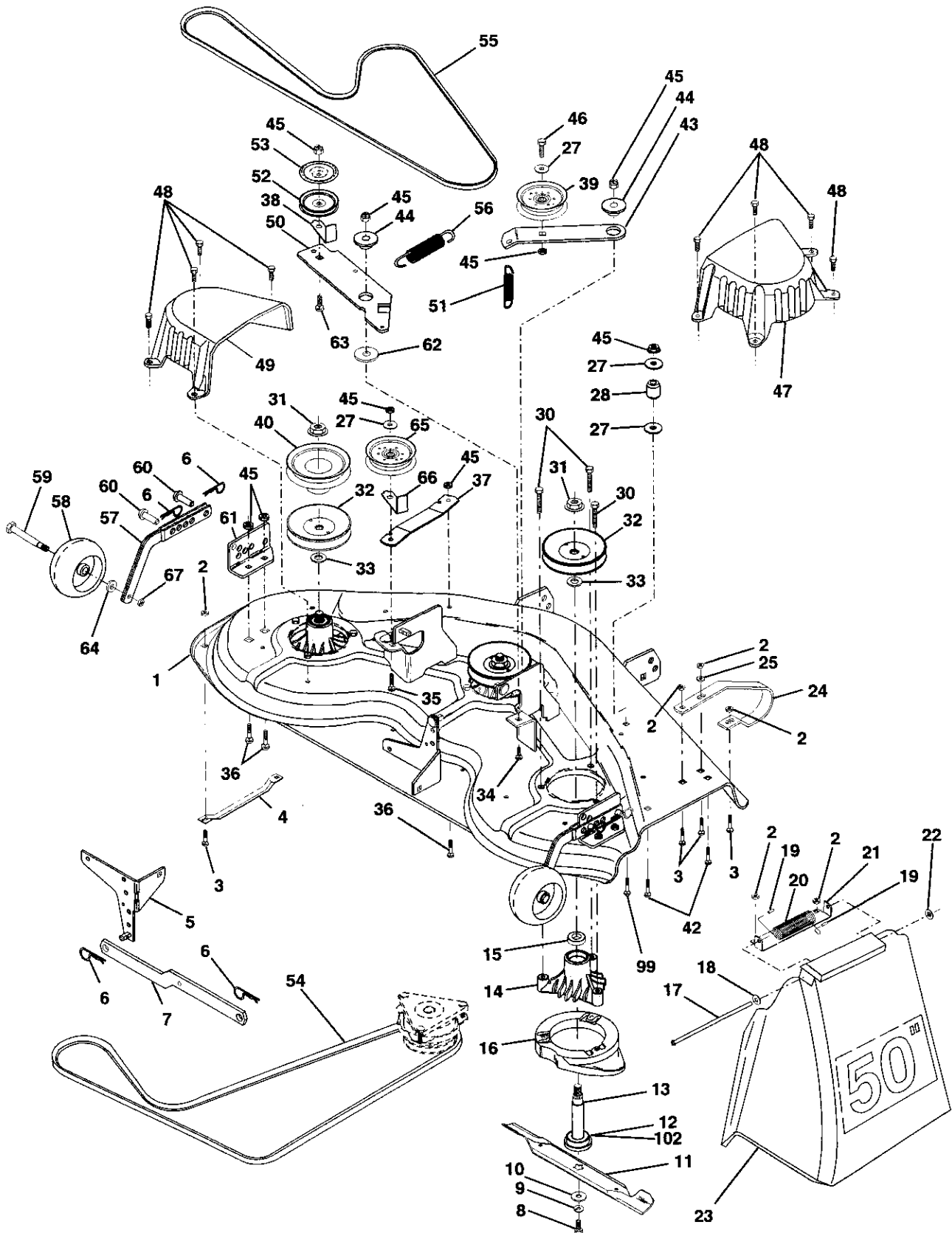
KEY NO.	PART NO.	DESCRIPTION
1	121006X	Rod Asm., Lever
2	159187	Shaft Asm., Lift Vgt
3	159189	Lever Asm., Lift Rh
4	12000022	E-Ring Truarc #5133-87
5	19292016	Washer 29/32 x 1-1/4 x 16 Ga.
6	71110624	Bolt, Fin Hex 3/8-16 x 1-1/2
7	125631X	Grip, Handle Fluted
8	122365X	Button, Plunger
9	122364X	Plunger, Button
10	2876H	Spring 2-1/8"
11	146704	Link Lift
12	163552	Retainer, Spring
13	139868	Arm, Suspension Vgt
14	140302	Bearing
15	STD541437	Nut, Crownlock 3/8-16 Unc
16	674A247	Spring Asm., Assist Lift
17	STD541237	Nut, Hex Jam 3/8-16 Unc
18	143363	Bracket, Spring Assist
19	STD551037	Washer 13/32 x 13/16 x 16 Ga.
20	5328J	Bolt, Adjust Spring Assist
21	STD523710	Bolt, Fin Hex 3/8-16 x 1
22	127218	Link, Front
23	STD624008	Retainer, Spring
24	73350800	Nut, Jam Hex 1/2-13 Unc
25	130171	Trunnion
26	73680800	Nut Crownlock 1/2-13 Unc
29	150233	Trunnion, Infin Height
30	110807X	Nut, Special
31	STD551037	Washer 13/32 x 5/8 x 16 Ga.
32	137150	Spring, Compression Inf Hgt
33	STD560907	Pin, Cotter 3/32 x 1/2
34	137167	Rod, Adj Lift
35	138057	Knob, Inf 3/8-16 Unc
38	155097	Pointer, Height Indicator
39	123935X	Plug, Hole
40	17490512	Screw Hex Wsh 5/16-18 x 3/4
41	73540600	Nut, Crownlock 3/8-24
42	19112410	Washer 11/32 x 1-1/2 x 10 Ga.
43	123934X	Scale, Indicator Height
70	145212	Nut Hex Flange Lock
72	110452X	Nut Push Phos & Oil

NOTE: All component dimensions given in U.S. inches
1 inch = 25.4 mm

REPAIR PARTS

TRACTOR- -MODEL NO. 917.258780

MOWER



REPAIR PARTS

TRACTOR- -MODEL NO. 917.258780

MOWER

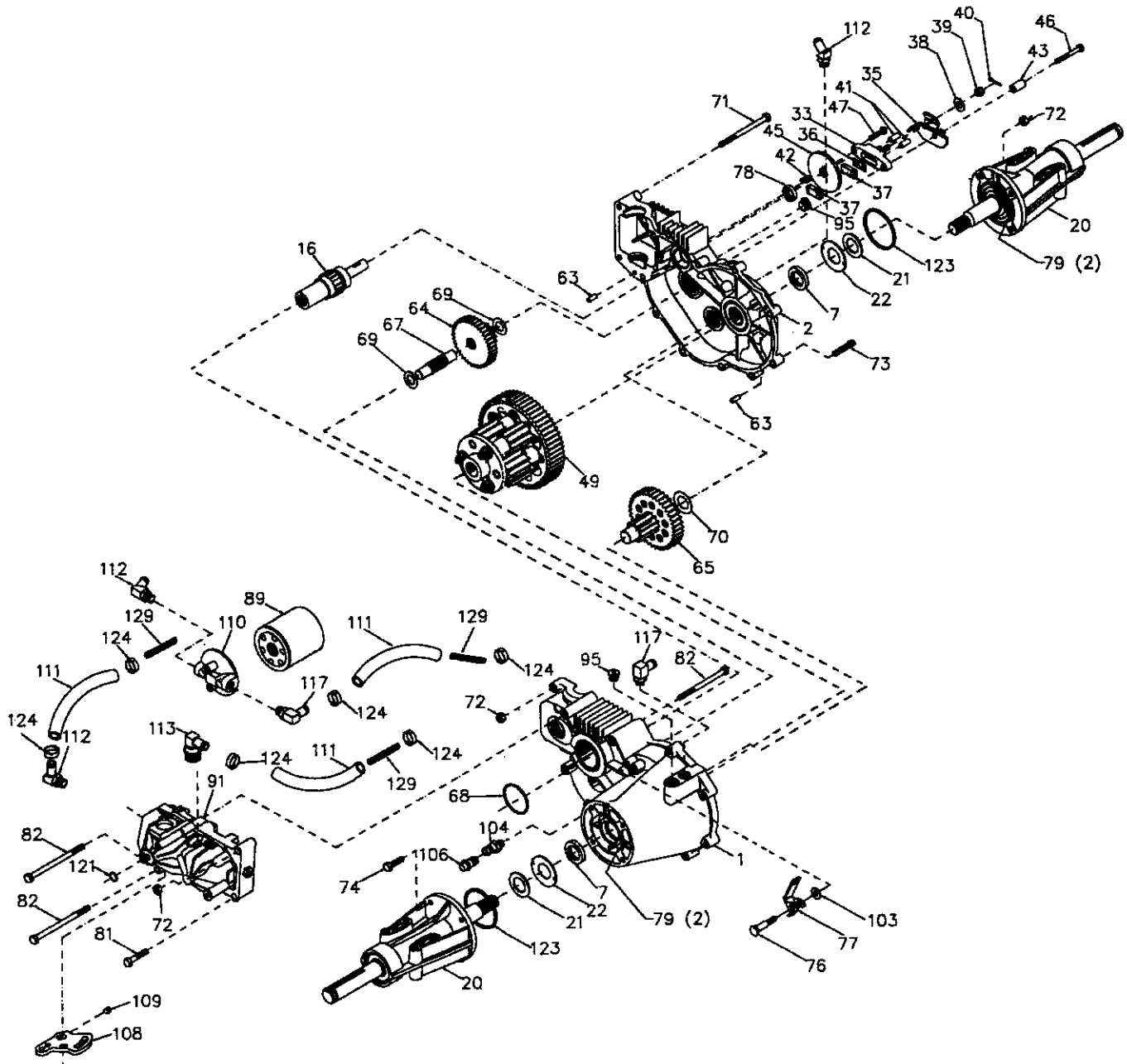
KEY NO.	PART NO.	DESCRIPTION	KEY NO.	PART NO.	DESCRIPTION
1	156990	Mower Deck Weldment 50	40	136572	Pulley, Driven
2	STD541431	Nut, Crownlock 5/16-18	42	STD533107	Bolt, Carr.5/16-18Uncx3/4
3	72110506	Bolt, Carriage 5/16-18 x 3/4	43	136460	Arm, Idler Secondary
4	7631J	Runner, Mower LH	44	165723	Spacer, Retainer
5	138457	Bracket Asm., Sway Bar	45	STD541437	Nut, Crownlock 3/8-16 Unc
6	STD624008	Retainer, Spring	46	74760628	Bolt, Fin Hex 3/8-16Uncx1-3/4
7	130832	Arm Suspension, Rear	47	137200	Cover, Mandrel RH
8	850857	Bolt 3/8-24 x 1.25 Gr. 8 Patched	48	137729	Screw, Thd Roll 1/4-20 x 5/8
9	STD551137	Washer, Lock Hvy 3/8 Unplated	49	136574	Cover, Mandrel LH
10	140296	Washer, Hard Blade Mower Vented	50	137272	Arm, Idler Primary
11	137380	Blade (3 Required)	51	137273	Spring, Secondary
12	129895	Bearing, Ball #6204 (Mandrel)	52	139245	Pulley, Idler V Groove
13	137553	Shaft Asm., W/Lower Brg (Includes Key No. 12)	53	137789	Shield, Idler
14	137152	Housing, Mandrel 50" Vent	54	139573	V-Belt, Mower Primary
15	110485X	Bearing, Ball Mandrel	55	144959	V-Belt, Mower Secondary
16	140329	Stripper, Mower Vented	56	138687	Spring, Primary
17	106735X	Rod, Hinge	57	136577	Bar Asm., Wheel Gauge
18	19111016	Washer 11/32 x 5/8 x 16 Ga.	58	133957	Wheel, Gauge
19	105304X	Cap, Sleeve	59	137644	Bolt, Shoulder
20	123713X	Spring, Torsion Deflector	60	139031	Pin, Clevis
21	137607	Bracket, Deflector	61	136573	Bracket, Wheel Gauge
22	110452X	Nut, Push	62	133943	Washer Hardened
23	110509X428	Shield, Deflector Mower	63	72110612	Bolt Carriage 3/8-16 x 1-1/2
24	136320	Runner, RH	64	19121414	Washer 3/8 x 3/4 x 14 Ga
25	19111216	Washer 11/32 x 3/4 x 16 Ga.	65	151831	Pulley Idler Flat Mower
27	STD551037	Washer 13/32x13/16x16 Ga.	66	156009	Keeper, Belt Idler 44/50"
28	132823	Spacer, Spring Stop Idler	67	73930600	Nut, Centerlock 3/8-16
30	157722	Screw Thdrol Washer Hd	99	72110614	Bolt, Carr. 3/8-16x1-3/4Gr. 5
31	137266	Nut, Flg Top Lock Cntr 9/16	102	153390	Washer, Felt
32	153535	Pulley, Mandrel	--	143651	Mandrel Assembly (Includes Key Nos. 8-10, 12-15, 31 and 33)
33	129963	Washer, Spacer Mower Vented	--	158330	Deck Assembly - Service (Std. Deck - Order Separately All Nose Roller and Gauge Wheel Components)
34	72140610	Bolt, Carriage 3/8-16 x 1-1/4			
35	72110616	Bolt, Carriage 3/8-16 x 2			
36	72110608	Bolt, Carriage 3/8-16x1 Gr. 5			
37	137166	Stiffener, Arm Idler			
38	156085	Keeper, Belt Idler			
39	131494	Pulley, Idler Flat			

NOTE: All component dimensions given in U.S. inches
1 inch = 25.4 mm

REPAIR PARTS

TRACTOR - - MODEL NUMBER 917.258780

TRANSAXLE - MODEL NUMBER 222-3010L



REPAIR PARTS

TRACTOR - - MODEL NUMBER 917.258780

TRANSAXLE - MODEL NUMBER 222-3010L

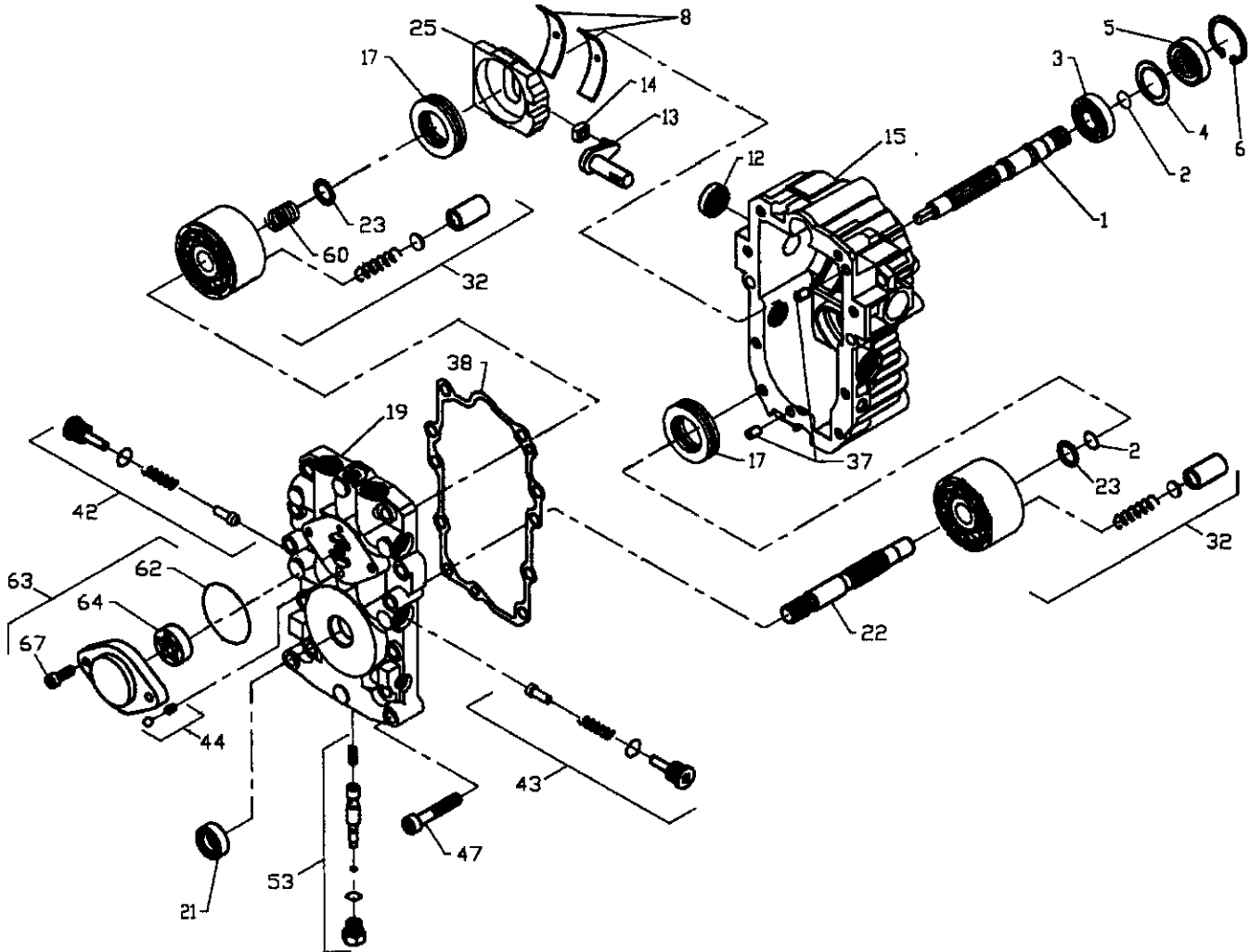
KEY NO.	PART NO.	DESCRIPTION	KEY NO.	PART NO.	DESCRIPTION
1	164591	Assembly, Housing, LH	72	153767	Locknut, Hex 5/16-18
2	164592	Assembly, Housing, RH	73	142904	Bolt, Hex 5/16-18 x 1-1/2
7	153765	Oil Seal .984 x 1.5 x .25	74	142905	Hex Cap Screw 5/16-18 x 1
16	142876	Brake Shaft Assembly	76	142907	Shoulder Bolt
20	142877	Axle Mounting Horn Assembly	77	142908	Freewheel Actuating Arm
21	142878	Washer 1.0 x 1.63 x .08	78	142909	Oil Seal .625 x 1.0 x .25
22	142879	Washer 1.0 x 2.06 x .09	79	153768	Grease (10 oz. Tube)
33	142929	Brake Yoke Assembly	81	142910	Bolt, Hex 5/16-18 x 1-3/4
35	142880	Brake Arm	82	142911	Bolt 5/16-18 x 4-1/2
36	142882	Puck Plate	89	142912	Filter, Spin On
37	142883	Brake Puck	91	153769	Pump, BDU-10L-122
38	142884	Washer 7/8 O.D. x 7/16 x .060	95	142914	Plug, Straight Thread
39	142885	Nut, Castle 5/16-24	96	153770	60j 7/18 SAE x 5/16 Fitting
40	142886	Cotter Pin	103	142916	Washer
41	142887	Brake Actuating Pin	104	142917	Vent Cap Assembly
42	142888	Hi Pro Key	106	142918	Fitting O-Ring Assembly
43	142889	Spacer	108	142919	Control Arm
45	142890	Brake Disc	109	142920	Set Screw
46	142891	Bolt 1/4-20 x 1-1/2	110	142921	Filter Head
47	142892	Bolt 1/4-20 x 1	111	150820	Hose 1/2"
49	153766	Differential Assembly	112	150823	Fitting, 1/2" Beaded 90j 7/8 SAE
63	142894	Dowel Pin	113	150821	Fitting, 1/2" Beaded 60j 9/16
64	150818	Reduction Gear, 14 Teeth to 38 Teeth	117	150822	Fitting, 1/2" Beaded 90j 9/16
65	142897	Final Drive Pinion Assembly	123	150824	O Ring
67	142898	Jackshaft	124	150825	Pinch Clamp
68	142899	O-Ring	129	153771	Spring, Long
69	142900	Washer 5/8 X 1-5/32			
70	142901	Washer 7/8 X 1-1/2			
71	142902	Bolt, Hex 5/16-18 x 3.5			

NOTE: All component dimensions given in
U.S. inches 1 inch = 25.4 mm

REPAIR PARTS

TRACTOR - - MODEL NUMBER 917.258780

TRANSAXLE - MODEL NUMBER 222-3010L



REPAIR PARTS

TRACTOR - - MODEL NUMBER 917.258780

TRANSAXLE - MODEL NUMBER 222-3010L

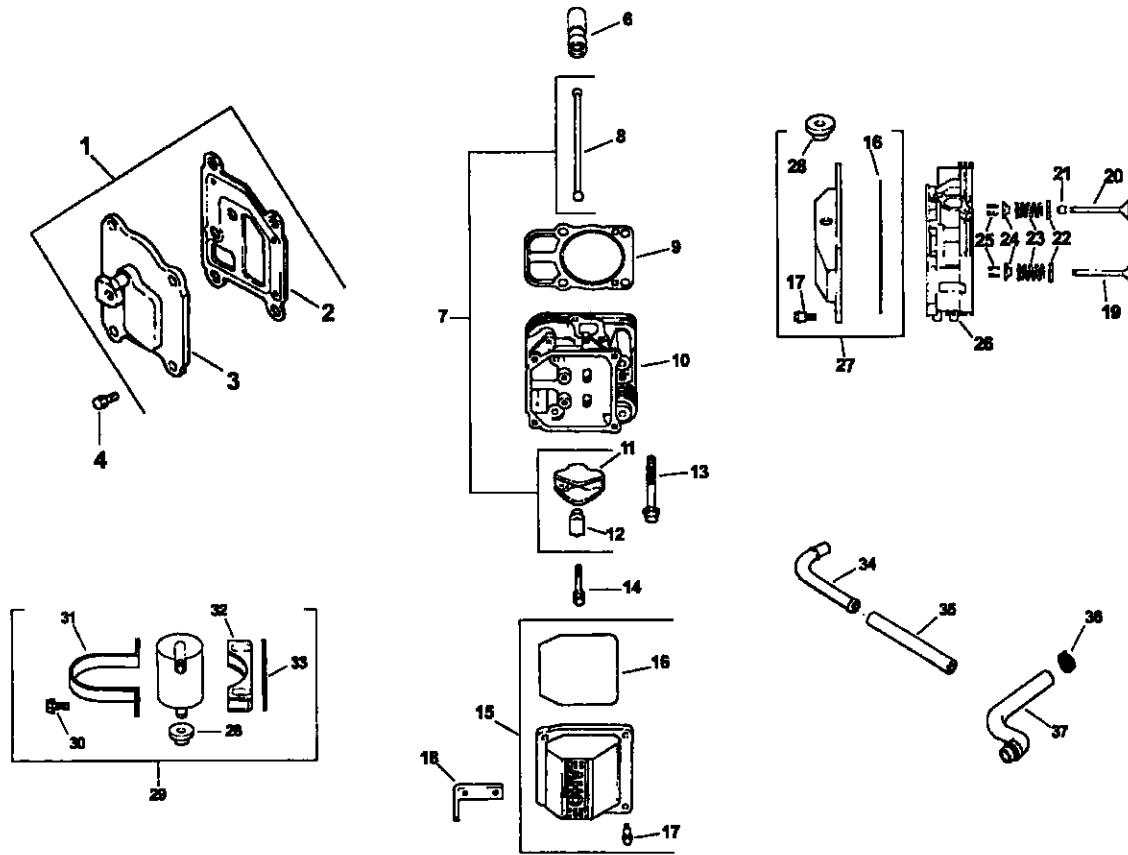
KEY NO.	PART NO.	DESCRIPTION
1	144569	Shaft, Pump
2	122716X	Ring, Retaining
3	122745X	Bearing, Ball
4	122715X	Spacer
5	122700X	Seal, Lip
6	122699X	Ring, Retaining
8	122767X	Bearing, Cradle
12	122717X	Seal, Lip
13	122748X	Arm, Trunnion
14	122749X	Guide, Slot
15	144571	Housing Kit, Transmission
17	122770X	Bearing, Thrust, Ball
19	153801	Center Section Kit
21	122722X	Seal, Lip
22	144573	Shaft, Motor
23	142978	Washer, Block Thrust
25	127148X	Swashplate, Variable
32	142938	Block Assembly
37	122786X	Pin, Stainless, Headless
38	122718X	Gasket, Center Section
42	144578	Check Valve Kit
43	144578	Check Valve Kit
44	144579	Charge Relief Kit
47	122752X	Screw, Socket Head, Cap
53	127153X	Bypass Valve Kit
60	142977	Block Spring
62	144581	O-Ring
63	144582	Charge Pump Kit
64	144583	Gerotor Assembly
67	144584	Screw, Socket Head, Cap
--	153769	Pump Assembly, Complete

REPAIR PARTS

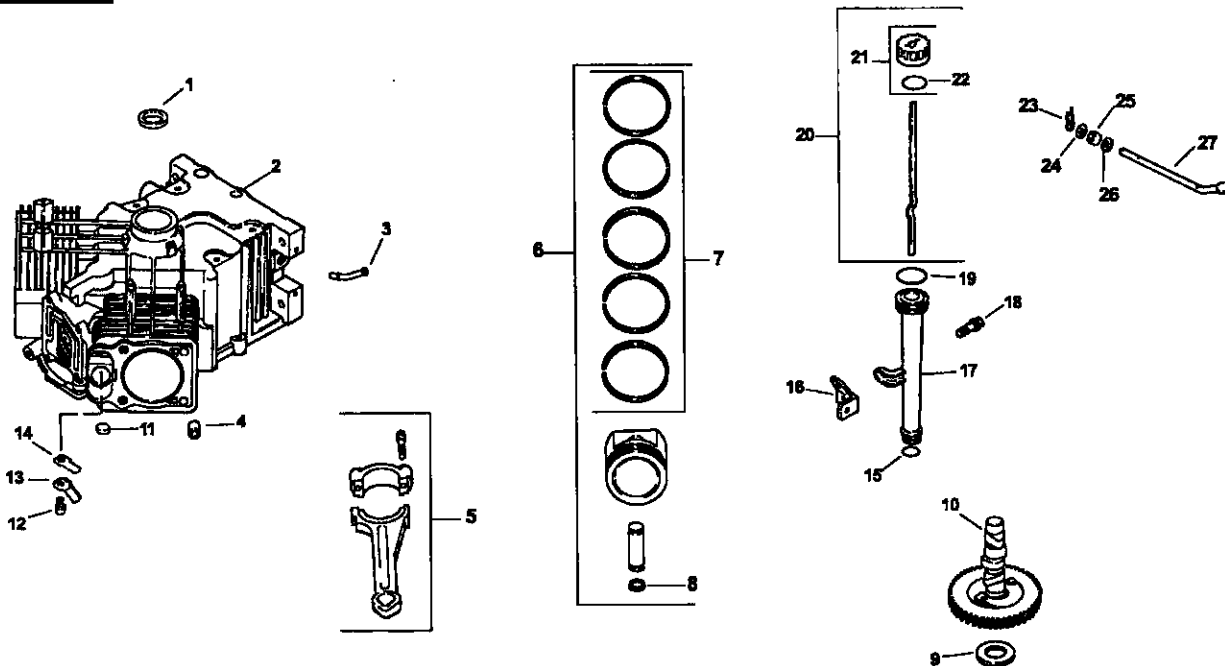
TRACTOR - - MODEL NUMBER 917.258780

KOHLER ENGINE - - MODEL NUMBER CV22S, TYPE NUMBER 67551

CYLINDER HEAD, VALVE AND BREATHER



CRANKCASE



REPAIR PARTS

TRACTOR - - MODEL NUMBER 917.258780

KOHLER ENGINE - - MODEL NUMBER CV22S, TYPE NUMBER 67551

HEAD/VALVE/BREATHER

KEY PART NO.	NO.	DESCRIPTION
1	24 033 03-S	Kit, breather cover w/gasket (Includes 2,3)
2	24 041 23-S	Gasket, breather
3	24 096 59-S	Cover, breather
4	M-645020-S	Screw, hex. flange M6x1.0x20(4)
6	25 351 01-S	Lifter, valve (4)
7	24 755 66-S	Kit, valve train (Includes 8, 11, 12)
8	24 411 05-S	Rod, push (4)
9	24 041 08-S	Gasket, cylinder head (2)
10	24 318 64-S	Head assembly, #2 cylinder
11	25 186 01-S	Arm, rocker (4)
12	24 599 01-S	Pivot, rocker arm (4)
14	M-640034-S	Screw, hex. flange M6x1.0x34 (4)
13	12 086 16-S	Screw, hex. flange M10x1.5x90 (8)
15	24 755 74-S	Kit, valve cover - plain (Includes 16,17)
16	24 153 16-S	O-Ring
17	24 086 32-S	Screw, shoulder (4)
18	24 445 01-S	Strap, lifting
19	24 016 01-S	Valve, exhaust (Std.) (2)
	24 016 02-S	Valve, exhaust (.25) (2)
20	24 017 01-S	Valve, intake (Std.) (2)
	24 017 02-S	Valve, intake (.25) (2)
21	24 032 05-S	Seal, valve stem (2)
22	235011-S	Retainer, spring (4)
23	24 089 02-S	Spring, valve (4)
24	12 173 01-S	Cap, valve spring (4)
25	12 755 03-S	Kit, retainer (4)
26	24 318 63-S	Head assembly, #1 cylinder
27	24 755 76-S	Kit, valve cover - breather (Includes 16, 17, 28)
28	25 313 02-S	Grommet, rubber (2)
29	24 755 57-S	Kit, breather separator (Includes 28,30-33)
30	M-545016-S	Screw, hex. flange M5x0.8x16 (2)
31	24 445 02-S	Strap, breather
32	24 126 44-S	Bracket, breather separator
33	24 112 12-S	Spacer
34	24 294 06-S	Fitting
35	24 326 13-S	Hose, breather
36	X-426-9-S	Clamp, hose (2)
37	24 326 14-S	Hose, breather

CRANKCASE

KEY PART NO.	NO.	DESCRIPTION
1	24 032 01-S	Seal, oil front
2		Crankcase (USE: Miniblock 24 782 05)
3	24 294 13-S	Fitting
4	12 380 17-S	Pin, dowel locating (6)
5	24 067 13-S	Connecting Rod (Std.) (2)
	24 067 14-S	Connecting Rod (.25) (2)
6	24 874 01-S	Piston w/Ring Set (Std.) (2) (Includes 7,8)
	24 874 02-S	Piston w/Ring Set (.25) (2)
	24 874 03-S	Piston w/Ring Set (.50) (2)
	24 874 14-S	Piston w/Ring Set (.08) (2)
7	24 108 01-S	Ring Set (Std.) (2)
	24 108 02-S	Ring Set (.25) (2)
	24 108 03-S	Ring Set (.50) (2)
8	24 018 01-S	Retainer, piston pin (2)
9	12 422 09-S	Shim, camshaft (A.R.)
	12 422 13-S	Shim, camshaft (A.R.)
	12 422 07-S	Shim, camshaft (A.R.)
	12 422 08-S	Shim, camshaft (A.R.)
	12 422 10-S	Shim, camshaft
	12 422 11-S	Shim, camshaft (A.R.)
	12 422 12-S	Shim, camshaft (A.R.)
10	24 010 06-S	Camshaft
11	52 139 09-S	Plug, cup
12	M-545010-S	Screw, hex. flange M5x0.8x10 (2)
13	24 018 04-S	Retainer, reed (2)
14	24 402 05-S	Reed, breather (2)
15	12 153 01-S	O-Ring, lower oil fill tube
16	24 126 19-S	Bracket, oil fill tube
17	12 123 04-S	Tube, oil fill
18	M-545016-S	Screw, hex. flange M5x0.8x16
19	12 153 02-S	O-Ring, upper oil fill tube
20	24 038 04-S	Dipstick assembly (Includes 21, 22)
21	25 755 13-S	Kit, oil fill cap (Includes 22)
22	12 153 03-S	O-Ring, dipstick
23	12 380 04-S	Pin, hitch
24	M-631005-S	Washer, plain 6 mm
25	12 032 01-S	Seal, governor cross shaft
26	X-25-102-S	Washer, plain 1/4"
27	24 144 01-S	Shaft, governor cross

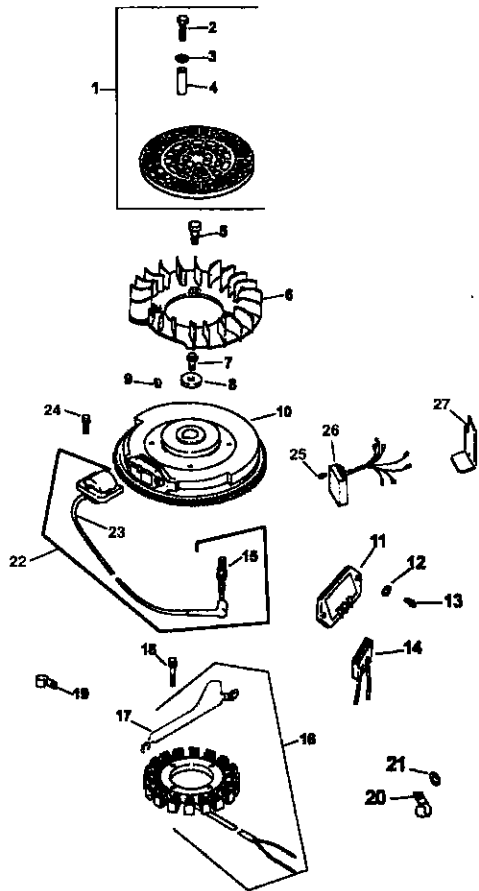
NOTE: All component dimensions given in U.S. inches
1 inch = 25.4 mm

REPAIR PARTS

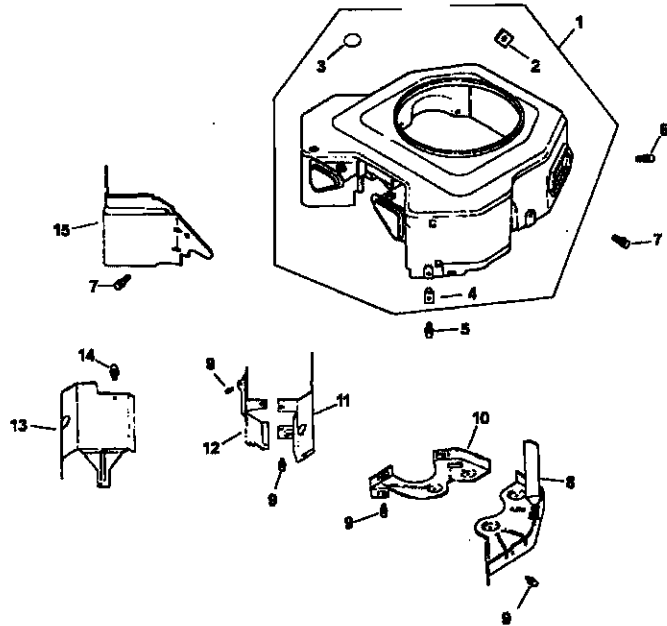
TRACTOR - - MODEL NUMBER 917.258780

KOHLER ENGINE - - MODEL NUMBER CV22S, TYPE NUMBER 67551

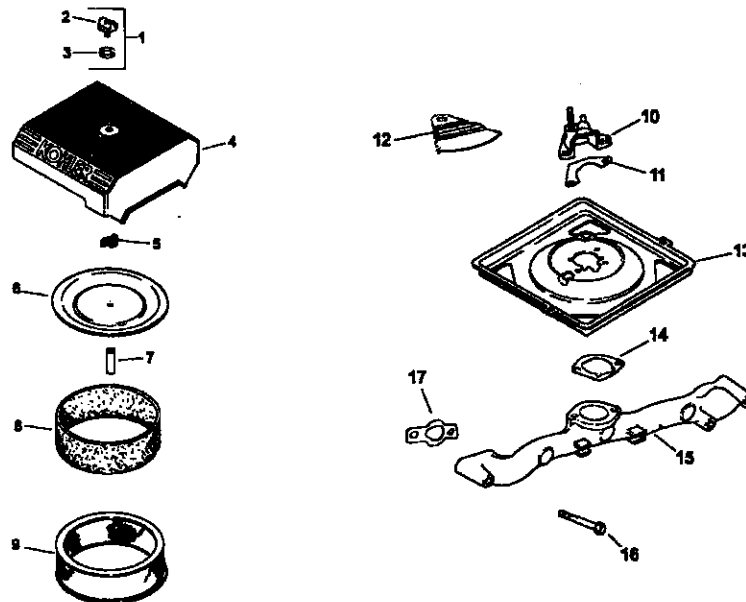
IGNITION/ELECTRICAL



BLOWER HOUSING AND BAFFLES



AIR INTAKE



REPAIR PARTS

TRACTOR - - MODEL NUMBER 917.258780

KOHLER ENGINE - - MODEL NUMBER CV22S, TYPE NUMBER 67551

IGNITION/CHARGING

KEY PART

NO.	NO.	DESCRIPTION
1	54 755 15-S	Kit, grass screen (Includes 2-4, and 24 113 18)
2	M-403025-S	Screw, hex. cap M4x0.7x25 (4)
3	X-25-92-S	Washer, plain 5/16" (4)
4	24 112 04-S	Spacer, grass screen (4)
5	25 086 47-S	Bolt, shoulder M6x1.0x16 (4)
6	24 157 03-S	Fan
7	12 086 14-S	Screw, hex. flange M10x1.5x46
8	12 468 03-S	Washer, plain 3/8"
9	X-42-15-S	Key
10	24 025 05-S	Flywheel
11	25 403 03-S	Rectifier-regulator
12	X-25-92-S	Washer, plain 3/16" (2)
13	24 086 18-S	Screw, phillips hd. 11-16x7/8 (2)
14	236602-S	Connector (3 contact)
15	28 132 02-S	Spark Plug (2)
16	54 755 09-S	Kit, 15 amp stator (Includes 17)
17	24 126 71-S	Bracket, stator wire
18	M-548025-S	Screw, hex. cap M5x0.8x25 (2)
19	48 154 02-S	Clip, cable
20	47 154 01-S	Clip, cable
21	X-25-63-S	Washer, plain 1/4"
22	24 707 01-S	Kit, ignition module (Includes 15, 23)
23	24 584 13-S	Module, ignition (2)
24	M-561025-S	Screw, thread forming M5x0.8x25 (4)
25	M-448010-S	Screw, hex. flange M4x0.7x10 (2)
26	24 584 09-S	Module, speed advance
27	24 063 27-S	Baffle, heat shield

NOT ILLUSTRATED

— —	24 176 80-S	Harness, wiring
— —	24 176 39-S	Harness, wiring
— —	24 518 12-S	Lead, black (5" - 12 gauge -insulated grip barrel eyelets)
— —	X-22-11-S	Washer, lock 1/4"
— —	24 113 18-S	Decal, grass screen

BLOWER HOUSING & BAFFLES

KEY PART

NO.	NO.	DESCRIPTION
1	24 027 20-S	Housing, blower (Includes 2-4)
2	24 100 01-S	Nut, plastic (3)
3	25 139 16-S	Plug, button
4	24 100 02-S	Nut, plastic (2)
5	M-545020-S	Screw, hex. flange M5x0.8x20 (4)
6	M-551016-S	Screw, hex. flange M5x0.8x16
7	M-545016-S	Screw, hex. flange M5x0.8x16 (3)
8	24 146 16-S	Plate, backing - # 2 side
9	M-645016-S	Screw, hex. flange M6x1.0x16 (6)
10	24 146 20-S	Plate, backing - # 1 side
11	24 063 40-S	Baffle, cylinder barrel - # 2 side
12	24 063 23-S	Baffle, valley - #1 side
13	24 063 44-S	Baffle, cylinder barrel-# 1 side
14	M-545010-S	Screw, hex. flange M5x0.8x10 (2)
15	24 063 14-S	Baffle, valley - #2 side

NOT ILLUSTRATED

— —	24 113 13-S	Decal, 22 HP
-----	-------------	--------------

AIR INTAKE/FILTRATION

KEY PART

NO.	NO.	DESCRIPTION
1	54 755 01-S	Kit, knob with seal (Includes 2,3)
2	25 341 03-S	Knob, cover
3	24 153 20-S	O-Ring
4	24 096 67-S	Cover, air cleaner
5	12 100 01-S	Wing Nut 1
6	24 096 01-S	Cover, inner air cleaner
7	24 032 03-S	Seal, breather
8	24 083 02-S	Precleaner, element
9	47 083 03-S	Element, air cleaner
10	24 109 10-S	Cup, fuel spitback w/stud
11	24 041 13-S	Gasket, fuel spitback cup
12	24 063 51-S	Baffle, fuel spitback
13	24 094 19-S	Base, air cleaner
14	24 041 14-S	Gasket, air cleaner base
15	24 164 06-S	Manifold, intake
16	M-651055-S	Screw, hex. flange M6x1.0x55 (4)
17	24 041 01-S	Gasket, intake manifold (2)

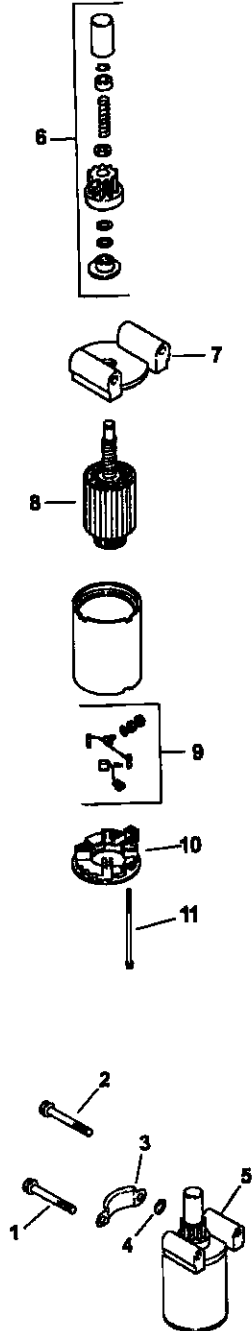
NOTE: All component dimensions given in U.S. inches
1 inch = 25.4 mm

REPAIR PARTS

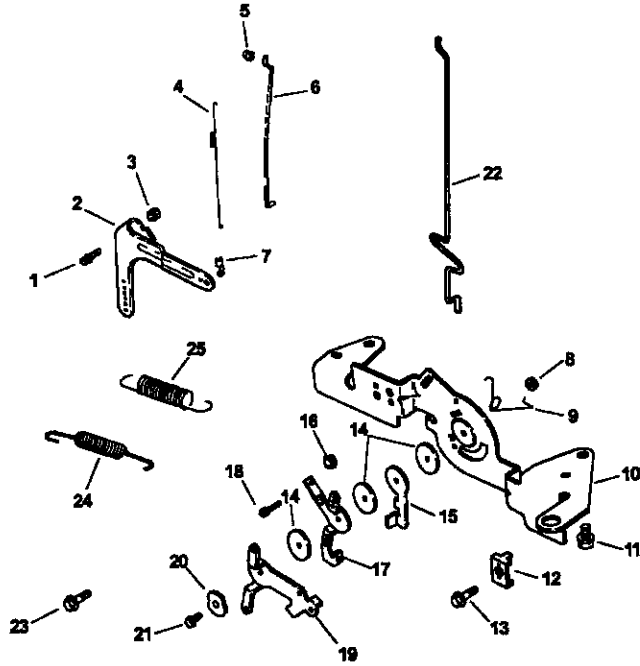
TRACTOR - - MODEL NUMBER 917.258780

KOHLER ENGINE - - MODEL NUMBER CV22S, TYPE NUMBER 67551

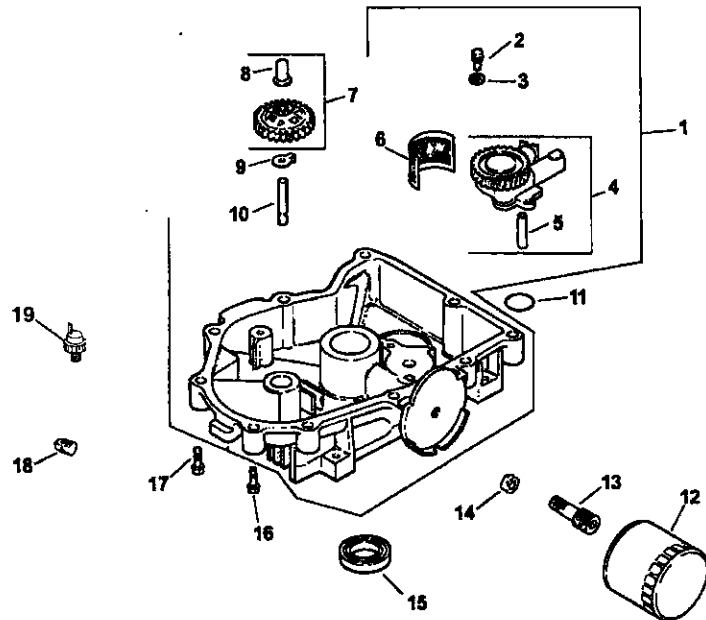
STARTING SYSTEM



ENGINE CONTROLS



OIL PAN / LUBRICATION



REPAIR PARTS

TRACTOR - - MODEL NUMBER 917.258780

KOHLER ENGINE - - MODEL NUMBER CV22S, TYPE NUMBER 67551

STARTING SYSTEM

KEY PART

NO.	NO.	DESCRIPTION
1	M-839070-S	Screw, hex. flange M8x1.25x70
2	M-839080-S	Screw, hex. flange M8x1.24x80
3	24 096 05-S	Cover, pinion
4	12 468 01-S	Washer
5	25 098 07-S	Starter, solenoid shift (Includes 6-10)
6	12 755 54-S	Kit, drive
7	12 227 18-S	Cap assembly, end
8	12 170 05-S	Armature assembly
9	12 221 01-S	Brush assembly
10	12 227 18-S	Cap, assembly
11	12 211 01-S	Bolt (2)

ENGINE CONTROLS

KEY PART

NO.	NO.	DESCRIPTION
1	SM-642025-S	Screw, hex. flange M6x1.0x25
2	24 090 14-S	Lever, governor
3	M-641060-S	Nut, hex. flange M6x1.0
4	24 089 01-S	Spring, linkage
5	25 158 08-S	Bushing, linkage retaining
6	24 079 04-S	Linkage, throttle
7	25 158 11-S	Bushing, throttle linkage (2)
8	M-547050-S	Nut, hex. M5x0.8
9	24 089 03-S	Spring, choke return
10	24 126 56-S	Bracket, control
11	M-645016-S	Screw, hex. flange M6x1.0x16 (4)
12	12 237 01-S	Clamp, cable (2)
13	24 086 43-S	Screw, thread forming (2)
14	24 468 01-S	Washer, plain 5mm (3)
15	24 090 07-S	Lever, throttle actuator
16	M-446030-S	Nut, hex. M4x0.7
17	24 090 13-S	Lever, throttle control (2)
18	M-403025-S	Screw, hex. cap M4x0.7x25
19	24 090 05-S	Lever, choke
20	41 468 03-S	Washer, spring 1/4"
21	M-545020-S	Screw, hex. flange M5x0.8x20
22	24 079 05-S	Linkage, choke
23	M-545016-S	Screw, hex. flange M5x0.8x16
24	24 089 51-S	Spring, throttle limiter
25	24 089 15-S	Spring, governor

OIL PAN/LUBRICATION

KEY PART

NO.	NO.	DESCRIPTION
1	24 199 07-S	Pan, oil assembly (Includes 2-10)
2	M-645025-S	Screw, hex. flange M6x1.0x25 (2)
3	M-631005-S	Washer, plain 6 mm (2)
4	24 393 08-S	Oil pump assembly (Includes 5)
5	24 123 05-S	Tube, oil pickup
6	24 162 26-S	Screen, oil
7	24 043 12-S	Kit, governor gear w/pin (Includes 8)
8	12 380 01-S	Pin, governor regulating
9	52 448 02-S	Tab, locking
10	12 144 02-S	Shaft, governor gear
11	24 153 08-S	O-Ring
12	12 050 01-S	Filter, oil
13	24 136 01-S	Nipple, oil filter
14	X-75-32-S	Plug, hex. ctsk. 3/8"
15	52 032 08-S	Seal, oil (PTO end)
16	24 086 17-S	Screw, hex. flange M8x1.25x45
17	24 086 16-S	Screw, hex. flange M8x1.25x45 (9)
18	X-75-10-S	Plug, sq. hd. solid 3/8" N.P.T.F.
19	25 099 24-S	Switch, pressure

NOT ILLUSTRATED

— —	25 113 05-S	Decal, oil sentry
-----	-------------	-------------------

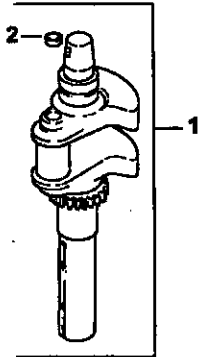
NOTE: All component dimensions given in U.S. inches
1 inch = 25.4 mm

REPAIR PARTS

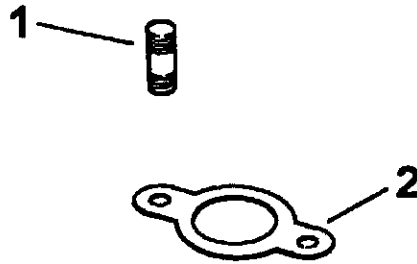
TRACTOR - - MODEL NUMBER 917.258780

KOHLER ENGINE - - MODEL NUMBER CV22S, TYPE NUMBER 67551

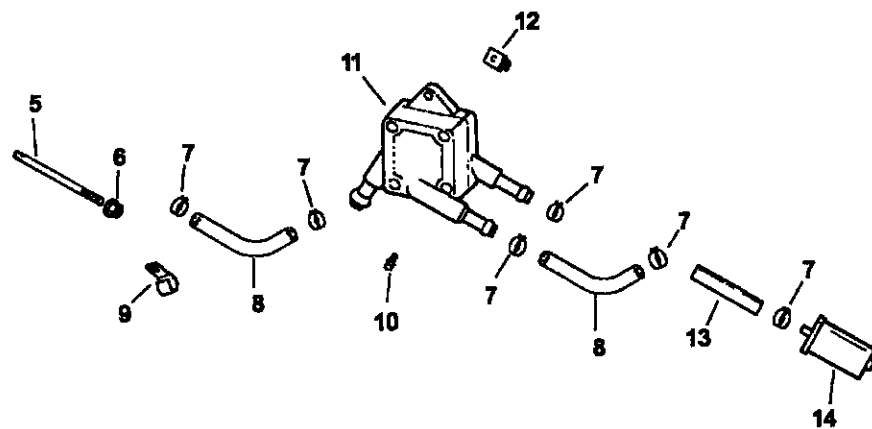
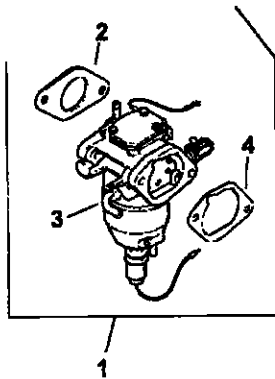
CRANKSHAFT



EXHAUST



FUEL SYSTEM



REPAIR PARTS

TRACTOR - - MODEL NUMBER 917.258780

KOHLER ENGINE - - MODEL NUMBER CV22S, TYPE NUMBER 67551

CRANKSHAFT

KEY PART

NO.	NO.	DESCRIPTION
1	24 014 72-S	Crankshaft (Includes 2)
2	52 139 09-S	Plug, cup

EXHAUST

KEY PART

NO.	NO.	DESCRIPTION
1	25 072 04-S	Stud, M8x1.25x33 (4)
2	24 041 02-S	Gasket, exhaust (2)

NOT ILLUSTRATED

24 522 16	Short Block
24 782 05	Miniblock
24 755 03-S	Gasket Set

FUEL SYSTEM

KEY PART

NO.	NO.	DESCRIPTION
1	24 853 25-S	Kit, carburetor w/gaskets (Includes 2-4)
2	24 041 15-S	Gasket, carburetor
3	24 053 25	Carburetor assembly (For information only not available separately) (Includes 24 757 18-S, 24 757 19-S, 24 757 20-S, 24 757 22-S)
4	24 041 14-S	Gasket, air cleaner base
5	M-629095-S	Stud, M6x1.0x95 (2)
6	M-641060-S	Nut, hex. flange M6x1.0 (2)
7	X-426-9-S	Clamp, hose (6)
8	24 353 03-S	Line, fuel 10-5/8" (2)
9	47 154 01-S	Clip, cable
10	24 086 12-S	Screw, hex. cap M6x1.7x18 (2)
11	24 393 16-S	Pump, fuel - pulse
12	24 100 01-S	Nut, plastic (2)
13	15 353 04-S	Line, fuel 11-1/2"
14	25 050 03-S	Filter, fuel

NOT ILLUSTRATED

— —	24 757 18-S	Kit, overhaul w/gaskets
— —	24 757 19-S	Kit, choke repair w/gaskets
— —	24 757 20-S	Kit, gasket
— —	24 757 22-S	Kit, solenoid replacement w/gaskets

NOTE: All component dimensions given in U.S. inches
1 inch = 25.4 mm

LIMITED TWO YEAR WARRANTY ON CRAFTSMAN RIDING EQUIPMENT

For two (2) years from the date of purchase, if this Craftsman Riding Equipment is maintained, lubricated and tuned up according to the instructions in the owner's manual, Sears will repair or replace, free of charge, any parts found to be defective in material or workmanship.

This Warranty does not cover:

- Expendable items which become worn during normal use, such as blades, spark plugs, air cleaners, belts, etc.
- Tire replacement or repair caused by punctures from outside objects, such as nails, thorns, stumps, or glass.
- Repairs necessary because of operator abuse, negligence, improper storage or accident or the failure to maintain the equipment according to the instructions contained in the owner's manual.
- Riding equipment used for commercial or rental purposes.

LIMITED 90 DAY WARRANTY ON BATTERY

For ninety (90) days from date of purchase, if any battery included with this riding equipment proves defective in material or workmanship and our testing determines the battery will not hold a charge, Sears will replace the battery at no charge.

IN-HOME WARRANTY SERVICE ON YOUR CRAFTSMAN RIDING EQUIPMENT IS AVAILABLE AT NO-CHARGE FOR 30 DAYS FROM THE DATE OF PURCHASE. PLEASE CONTACT YOUR NEAREST SERVICE CENTER. AFTER 30 DAYS FROM THE DATE OF PURCHASE, WARRANTY SERVICE IS AVAILABLE BY TAKING YOUR CRAFTSMAN RIDING EQUIPMENT TO YOUR NEAREST SEARS SERVICE CENTER. (IN-HOME WARRANTY SERVICE WILL STILL BE AVAILABLE AFTER 30 DAYS FROM THE DATE OF PURCHASE BUT A STANDARD TRIP CHARGE WILL APPLY.) THIS WARRANTY APPLIES ONLY WHILE THIS PRODUCT IS IN THE UNITED STATES.

This Warranty gives you specific legal rights, and you may also have other rights which may vary from state to state.

SEARS, ROEBUCK AND CO., D/817 WA, HOFFMAN ESTATES, IL 60179

CRAFTSMAN®