

REPAIR PARTS MANUAL
MODEL NO. 917.259230
Lawn Tractor

CRAFTSMAN®

HOW TO USE THIS MANUAL

This manual is designed to provide the customer with a means to identify the parts on his/her tractor when ordering repair parts. The illustrations may or may not represent the actual assemblies; therefore, it is not recommended to use this manual as a guide to assemble or disassemble the tractor. Some hardware and parts are drawn larger in order to more readily identify them.

Each tractor has its own model number.

The model number for your tractor can be found on the fender under the seat.

When ordering parts, always give the following information:

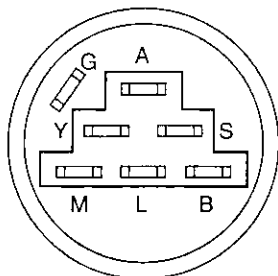
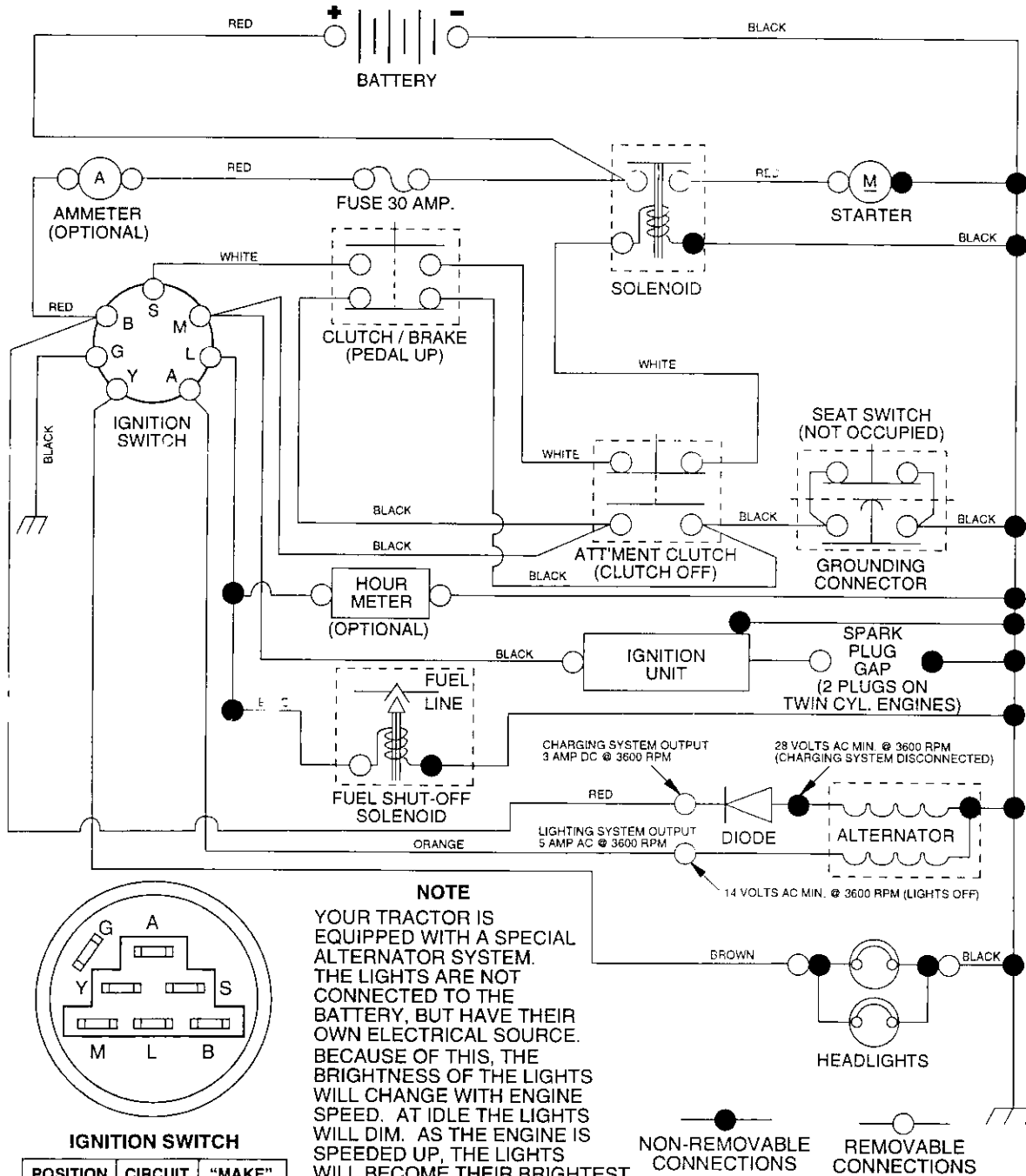
- Product - "Tractor"
- Model Number - "259230"
- Part Number
- Part Description

TABLE OF CONTENTS

SCHEMATIC	3
ELECTRICAL.....	4-5
CHASSIS	6-7
DRIVE	8-9
STEERING WHEEL.....	10-11
ENGINE	12-13
SEAT	14
DECALS	15
MOWER LIFT LEVER	16-17
MOWER DECK	18-19
TRANSAXLE	20-21
ENGINE	22-27

TRACTOR - - MODEL NUMBER 917.259230

SCHEMATIC



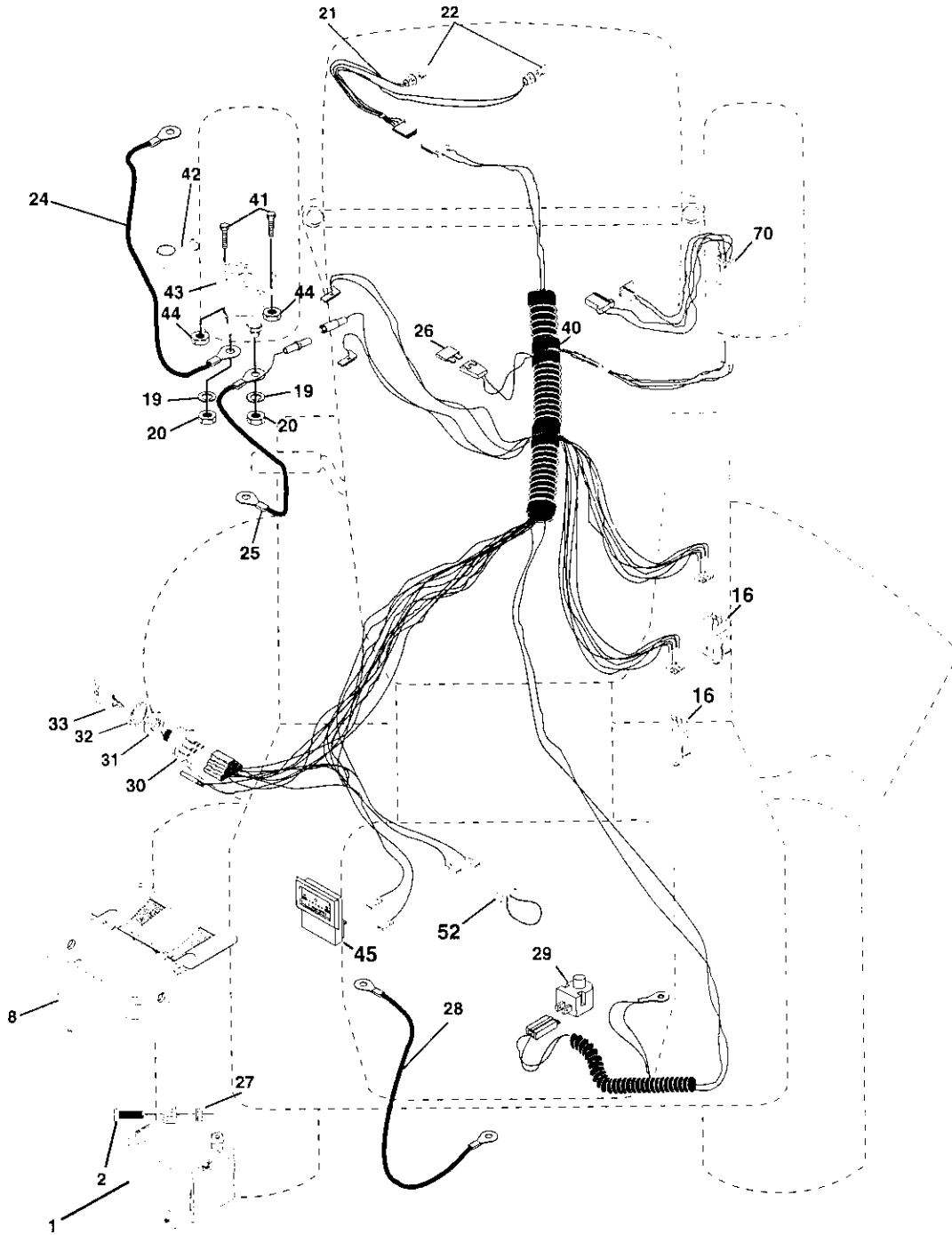
IGNITION SWITCH

POSITION	CIRCUIT	"MAKE"
OFF	G + M + L	NONE
RUN/LIGHT	B + L	A + Y
RUN	B + L	NONE
START	B + L + S	NONE

REPAIR PARTS

TRACTOR - - MODEL NUMBER 917.259230

ELECTRICAL



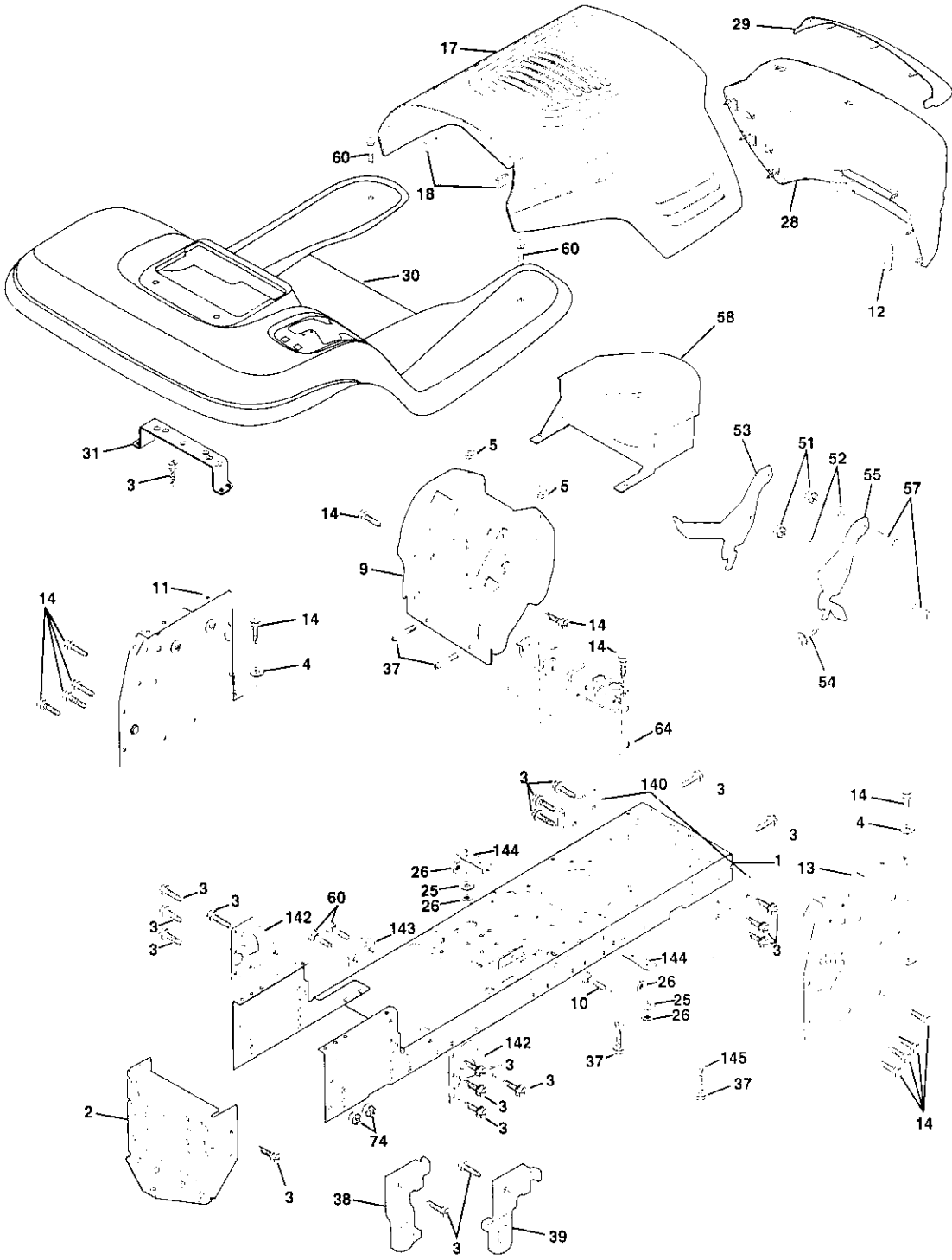
TRACTOR - - MODEL NUMBER 917.259230

ELECTRICAL

KEY NO.	PART NO.	DESCRIPTION
1	144925	Battery 12 VOLT 25 AMP
2	74760412	Bolt Hex Hd 1/4-20unc x 3/4
8	156417	Case Battery
16	153664	Switch, Interlock Push-In
19	STD551125	Washer Lock 1/4
20	73350400	Nut Jam Hex 1/4-20 Unc
21	166182	Harness Asm Light W/4152j
22	4152J	Bulb Light #1156
24	4799J	Cable Battery 6 Ga 11" red
25	146147	Cable Battery 6 Ga w/16 wire red
26	166180	Fuse 15 AMP
27	73510400	Nut Keps Hex 1/4-20 Unc
28	4207J	Cable Ground 6 Ga 12" black
29	121305X	Switch Plunger Nc Gray
30	140301	Switch Ign 4 Pos
31	124211X	Nut Ignition
32	141226	Cover Sw Key Blk 1 25 Text SLT
33	109310X	Key Ign Molded Craftsman
40	166145	Harness Ign Man Ci Am Hm 97
41	71110408	Bolt Blk. Fin Hex 1/4-20 Unc x 1/2
42	131563	Cover Terminal Red
43	145673	Solenoid
44	73640400	Nut Keps Blk Hex 1/4-20 Unc
45	121433X	Ammeter Rectangular 6 Amp
52	141940	Protection Wire Loop
70	166659	Harness Engine

NOTE: All component dimensions given in U.S. inches
1 inch = 25.4 mm

TRACTOR - - MODEL NUMBER 917.259230
CHASSIS AND ENCLOSURES



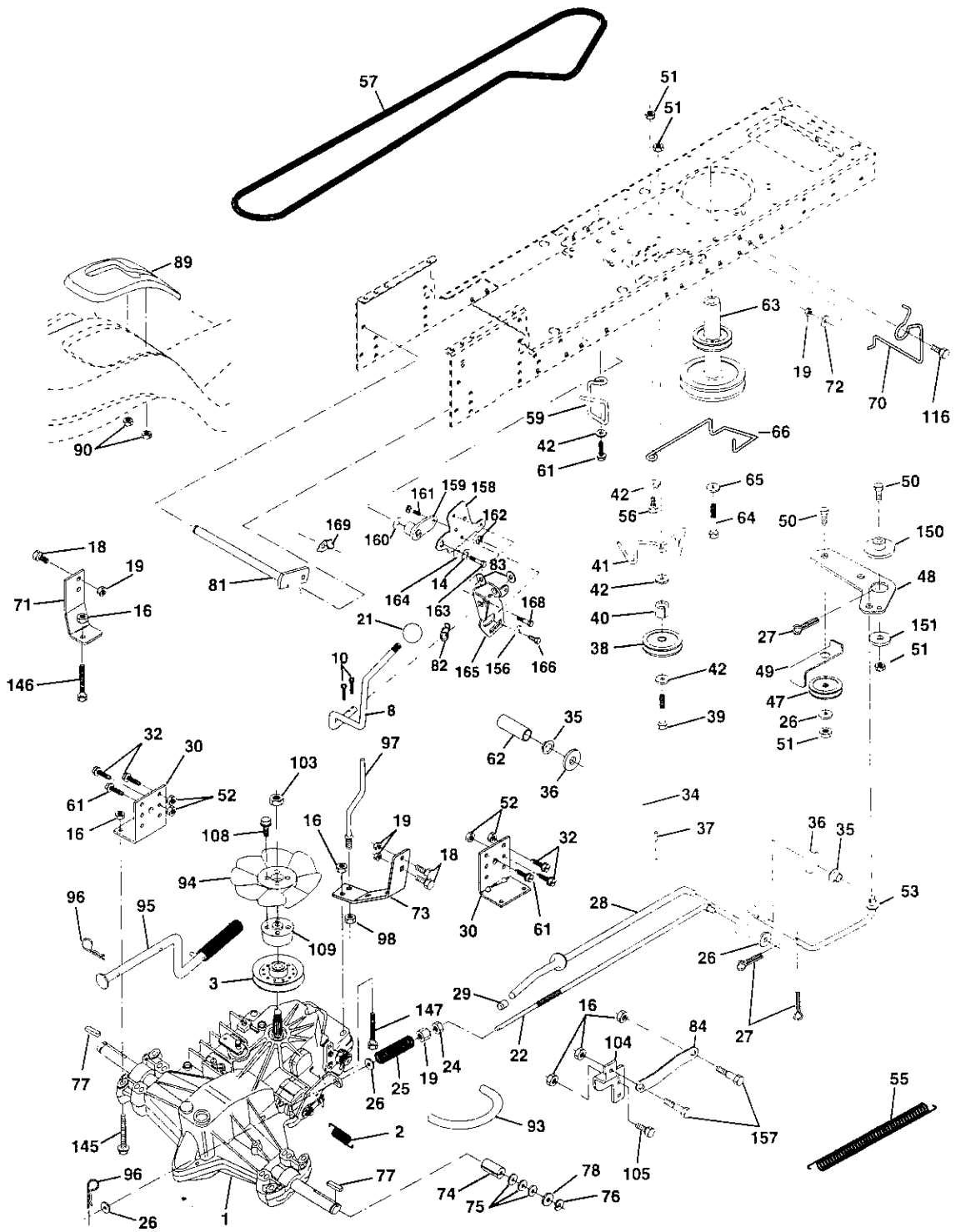
TRACTOR - - MODEL NUMBER 917.259230
CHASSIS AND ENCLOSURES

KEY NO.	PART NO.	DESCRIPTION
1	165583	Chassis
2	140356	Drawbar
3	17490612	Screw, Thd. Roll. 3/8-16 x 3/4
4	19131216	Washer 13/32 x 3/4 x 16 Gauge
5	155272	Bumper Hood/Dash
9	161917X012	Dash
10	STD533710	Bolt, Carriage 3/8-16 x 3/4
11	155927	Panel, Dash, L.H.
12	145660	Clip Tinnerman Grille P/L
13	155934X010	Panel, Dash, R.H.
14	17490608	Screw Thdrol 3/8-16 x 1/2
17	144983X558	Hood Assembly
18	126938X	Bumper Hood
25	19131312	Washer 13/32 x 13/16 x 12 Gauge
26	STD541437	Nut
28	145198X558	Grille w/Clips MS-558
29	155217X599	Lens, Grille
30	151287X558	Fend/Ftrest Pnt STLT N HLD 558
31	139976	Bracket, Fender Support
37	17490508	Screw Thdrol 5/16-18 x 1/2
38	139886	Pivot Bracket Assembly, L.H.
39	139887	Pivot Bracket Assembly, R.H.
51	73800400	Nut Lock w/Insert 1/4-20 UNC
52	19091416	Washer 9/32 x 7/8 x 16 Ga.
53	145201	Bracket Grille Pickoff LH
54	161464	Screw Hex Wshd 8-18 x 7/8
55	145202	Bracket Grille Pickoff RH
57	STD522507	Bolt, Fin Hex 1/4-20 UNC x .75
60	72140606	Bolt Rdhd Sqnk 3/8-16 UNC x 3/4
64	154798	Dash Lower STLT
74	STD541437	Nut Crownlock 3/8016 UNC
140	158418	Bracket Suspension Front
142	165867	Plate Reinforcement STLT
143	154966	Bracket Swaybar Chassis
144	154207	Bracket Pnt Footrest STLT
145	156524	Rod Pivot Chassis/Hood
191	74780612	Bolt Fin Hex 3/8-16unc x 3/4 Gr. 5
--	5479J	Plug, Button

NOTE: All component dimensions given in U.S. inches
1 inch = 25.4 mm

TRACTOR -- MODEL NUMBER 917.259230

GROUND DRIVE



TRACTOR - - MODEL NUMBER 917.259230

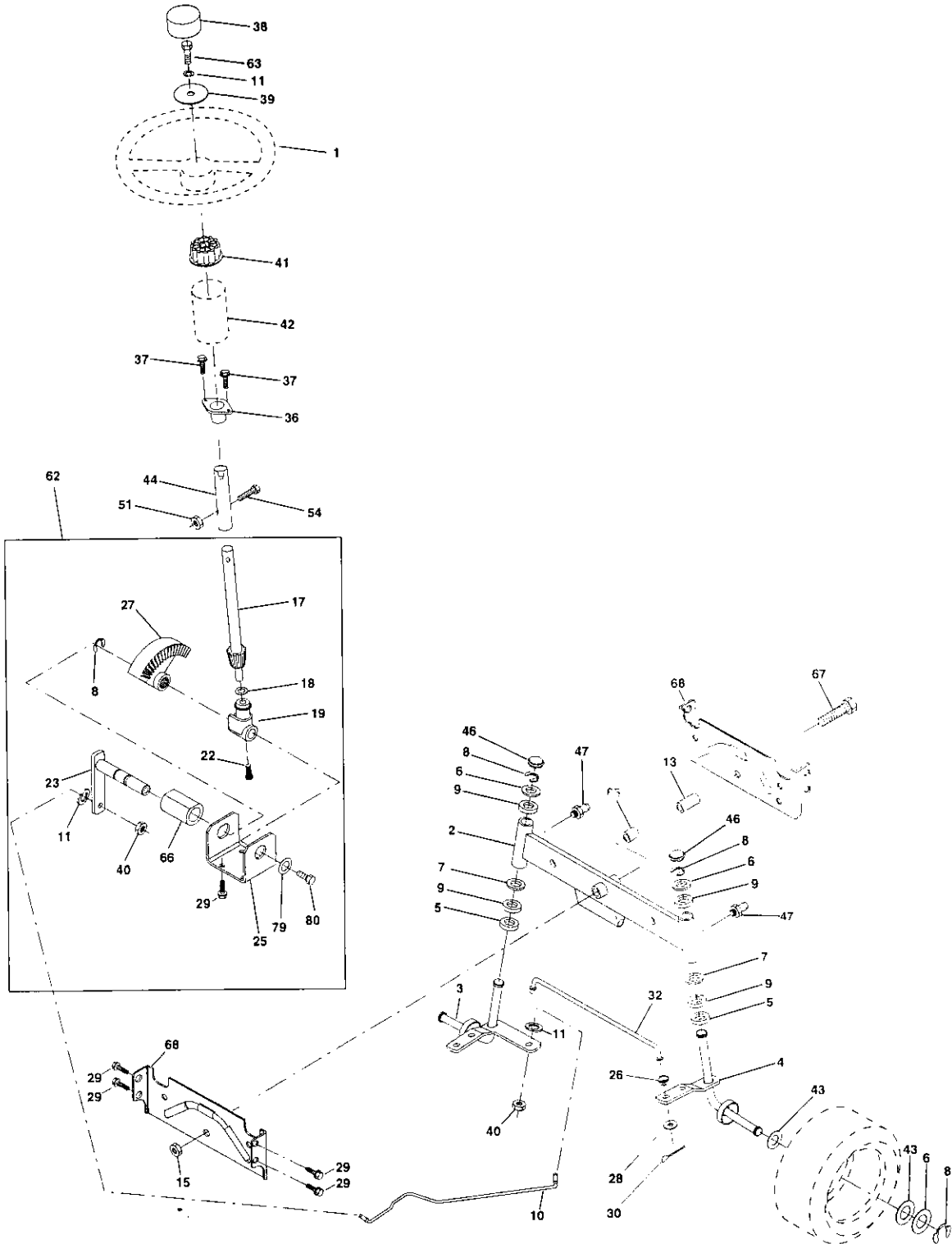
GROUND DRIVE

KEY NO.	PART NO.	DESCRIPTION	KEY NO.	PART NO.	DESCRIPTION
1	-----	Transmission (See Breakdown)	70	134683	Guide, Belt, Mower Drive RH
		Hydro Gear Model 319-0500	71	141417	Strap, Torque, Lh
2	142431	Spring, Return, Brake	72	19132012	Washer 13/32 x 1-1/4 x 12 Ga.
3	144698	Pulley, Transmission	73	141418	Strap, Torque, Rh
8	165866	Rod, Shift	74	121199X	Spacer, Split
10	76020416	Pin, Cotter 1/8 x 1	75	121749X	Washer 25/32 x 1-1/4 x 16 Ga.
14	STD551125	Washer Lock 1/4	76	120C0001	Ring, E
16	73800500	Nut, Lock Hex w/Ins 5/16-18 UNC	77	123583X	Key, Square
18	74780616	Bolt Hex 3/8-16 UNC x 1 Gr.5	78	121748X	Washer 25/32 x 1-5/8 x 16 Ga.
19	73800600	Nut, Lock Hex w/Wsh 3/8-16 UNC	81	165595	Shaft Asm Cross
			82	165711	Spring, Torsion
21	106933X	Knob Rd. 1/2-13 Plstc. Thds. Blk.	83	19171216	Washer 17/32 x 3/4 x 16 Ga.
			84	165816	Link Transaxle
22	145627	Rod, Brake	89	164890X428	Console, Shift
24	73350600	Nut	90	124346X	Nut Self-Thd Wshd 1/4
25	106888X	Spring, Rod, Brake	93	142564	Line Fuel
26	19131316	Washer 13/32 x 13/16 x 16 Ga.	94	140462	Fan 7"
27	76020412	Pin, Cotter 1/8 x 3/4	95	144643	Control Asm Bypass Hydro
28	145204	Rod, Parking Brake	96	4497H	Spring, Retainer 1"
29	124236X	Cap, Parking Brake	97	144201	Keeper, Belt Rh
30	130807	Bracket, Transmission	98	73510600	Nut Keps 3/8-16 UNC
32	74760512	Bolt Hex 5/16-18 UNC x 3/4	103	73940800	Nut, Hex Jam Toplock 1/2-20 UNF
34	155071	Shaft, Foot Pedal			
35	120183X	Bearing, Nylon	104	141421	Arm, Control Pump 500 Hydro
36	19211616	Washer	105	71070516	Bolt, Head Hex 5/16 x 18 x 1
37	1572H	Pin, Roll	108	17541026	Screw Hex Wh Hd #10-24 x 1-5/8
38	131494	Pulley, Idler, Flat			
39	74760644	Bolt	109	145098	Adapter Fan
40	4470J	Spacer, Split	116	72110610	Bolt Rdhd Sq Neck 3/8-16 x 1-1/4
41	165838	Keeper, Belt, Idler	145	74490540	Bolt Hex Flghd 5/16-18 Gr. 5
42	19131312	Washer 13/32 x 13/16 x 12 Ga.	146	74490536	Bolt Hex 5/16-18 x 2-1/4
47	127783	Pulley, Idler, V-Belt	147	74490524	Bolt Hex 5/16-18 UNC x 1-1/2
48	154407	Bellcrank Clutch Grnd Drustl	150	165850	Bushing Bellcrank Grd Drive
49	123205X	Retainer, Belt	151	19133210	Washer 13/32 x 2 x 10
50	74760624	Bolt	156	166002	Washer 5/16 x 1.0 x 1.25
51	73680600	Nut	157	153236	Bolt Shoulder 5/16-18unc-2A
52	73680500	Nut Crownlock 5/16-28	158	165589	Bracket Shift Mount
53	105710X	Link, Clutch	159	165494	Hub Tapered Flange Shift
55	105709X	Spring, Return, Clutch	160	19292016	Washer 29/32 x 1-1/4 x 16 Ga.
56	74760620	Bolt, Hex 3/8-16 UNC x 1-1/4	161	72140406	Bolt Rdhd Sqnc 1/4-20 x 3/4 Gr. 5
57	141416	V-Belt, Drive			
59	140312	Keeper, Belt, Center	162	73680400	Nut Crownlock 1/4-20 Unc
61	17490612	Screw, Thdrol 3/8-16 x 3/4 Type TT	163	74780416	Bolt Hex Fin 1/4-20 x 1
			164	19091010	Washer 5/8 x .281 x 10 Ga.
62	8883R	Cover, Pedal	165	165623	Bracket Pivot Lever
63	140186	Pulley, Engine	166	166680	Screw 5/16 x 1.0 x .125
64	71170764	Bolt Hex 7/16 x 4 Gr. 5	168	165492	Bolt Shoulder 5/16-18 x .561
65	10040700	Washer	169	165580	Plate Fastener Cross Shaft
66	154778	Keeper, Belt Engine Hydro			

NOTE: All component dimensions given in U.S. inches
1 inch = 25.4 mm

TRACTOR - - MODEL NUMBER 917.259230

STEERING ASSEMBLY



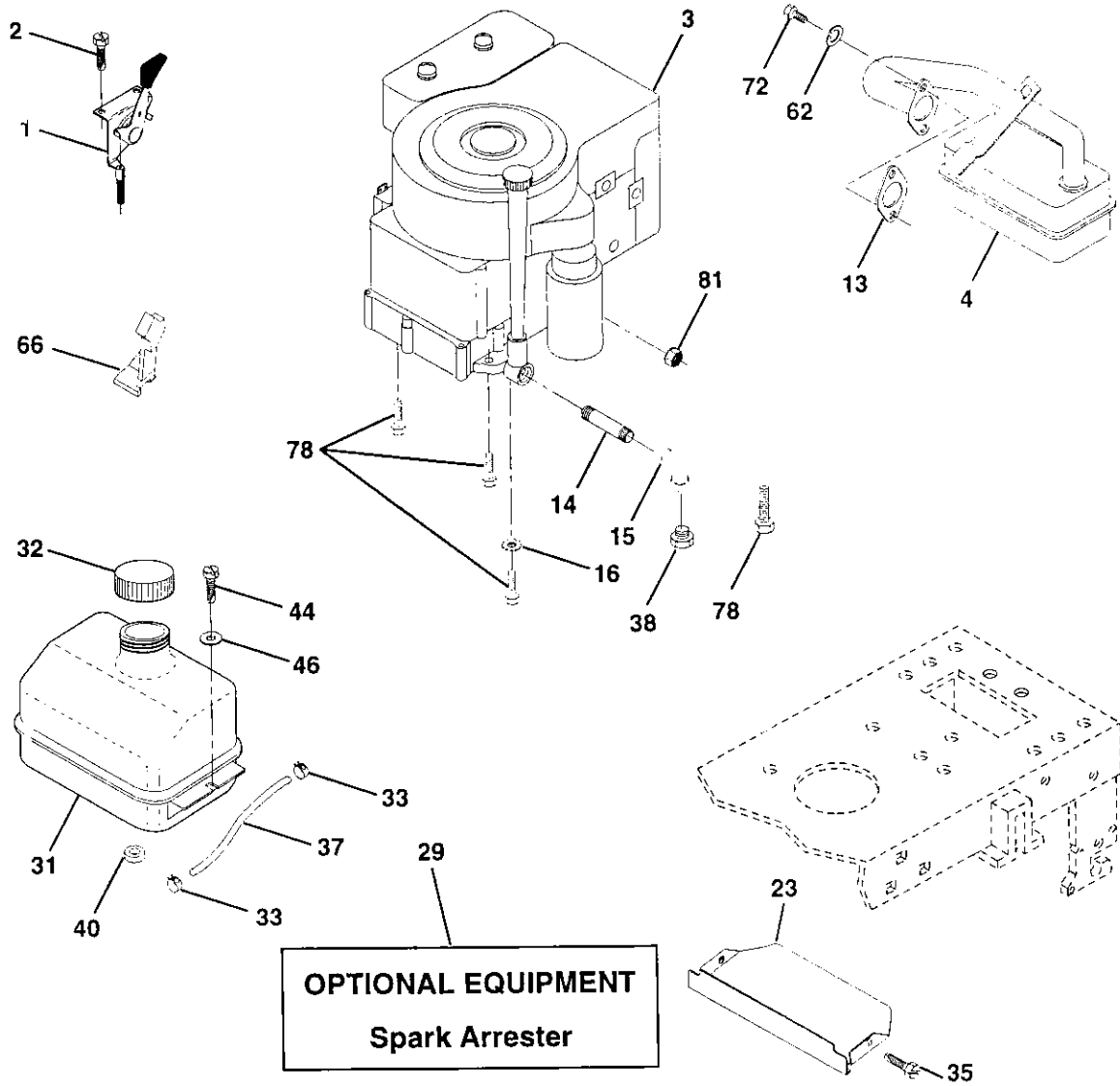
TRACTOR - - MODEL NUMBER 917.259230
STEERING ASSEMBLY

KEY NO.	PART NO.	DESCRIPTION
1	139768	Steering Wheel
2	154427	Axle Assembly STMP Dropped STL
3	156483	Spindle Assembly, L.H.
4	157473	Spindle Assembly, R.H.
5	6266H	Bearing, Race, Thrust, Hardened
6	121748X	Washer 25/32 x 1-5/8 x 16 Gauge
7	19272016	Washer 27/32 x 1-1/4 x 16 Gauge
8	12000029	Ring, Klip
9	3366R	Bearing, Steering Column
10	156438	Draglink Extended Stamped
11	STD551137	Washer, Lock
13	154779	Bearing Axle STLT/GT
15	73901000	Nut, Lock, Flange 5/8-11 UNC
17	156546	Shaft Assembly, Steering
18	57079	Washer, Thrust .515 x .750 x .033
19	160395	Support, Shaft
22	165857	Screw, Hex Wsh Hd Torx
23	165851	Pittman Shaft Assembly
25	154406	Bracket, Steering
26	126847X	Bushing, Link, Drag
27	136874	Gear, Sector
28	19131416	Washer 13/32 x 7/8 x 16 Gauge
29	17490612	Screw, Thd., Roll. 3/8-16 x 3/4
30	STD561210	Pin
32	130465	Rod, Tie
36	155099	Bushing, Steering
37	152927	Screw
38	139769	Insert, Steering Wheel
39	19133808	Washer 13/32 x 2-3/8 x 8 Gauge
40	STD541537	Gripco Nut
41	100711L	Adaptor, Steering Wheel
42	145054	Boot, Steering Shaft
43	121749X	Washer 25/32 x 1-1/4 x 16 Gauge
44	153720	Extension Shaft Steering L.R.LT
46	121232X	Cap, Spindle
47	6855M	Fitting, Grease
51	STD541431	Nut Lock Hex w/Ins. 5/16-18 UNC
54	74780520	Bolt Fin Hex 5/16-18 UNC x 1-1/4
62	167902	Kit Steering Asm Service
63	STD523710	Bolt, Fin Hex 3/8-16 UNC x 1 Gr 5
65	154780	Spacer Axle
66	154404	Bearing Arm Pittman
67	74781044	Bolt, Fin Hex 5/8-11 UNC x 2-3/4
68	154429	Axle, Brace
79	19132012	Washer 13/32 x 1-1/4 x 12 Ga.
80	74950612	Bolt Hex Nylon 3/8-16 x 3/4

NOTE: All component dimensions given in U.S. inches
1 inch = 25.4 mm

TRACTOR - - MODEL NUMBER 917.259230

ENGINE



TRACTOR - - MODEL NUMBER 917.259230

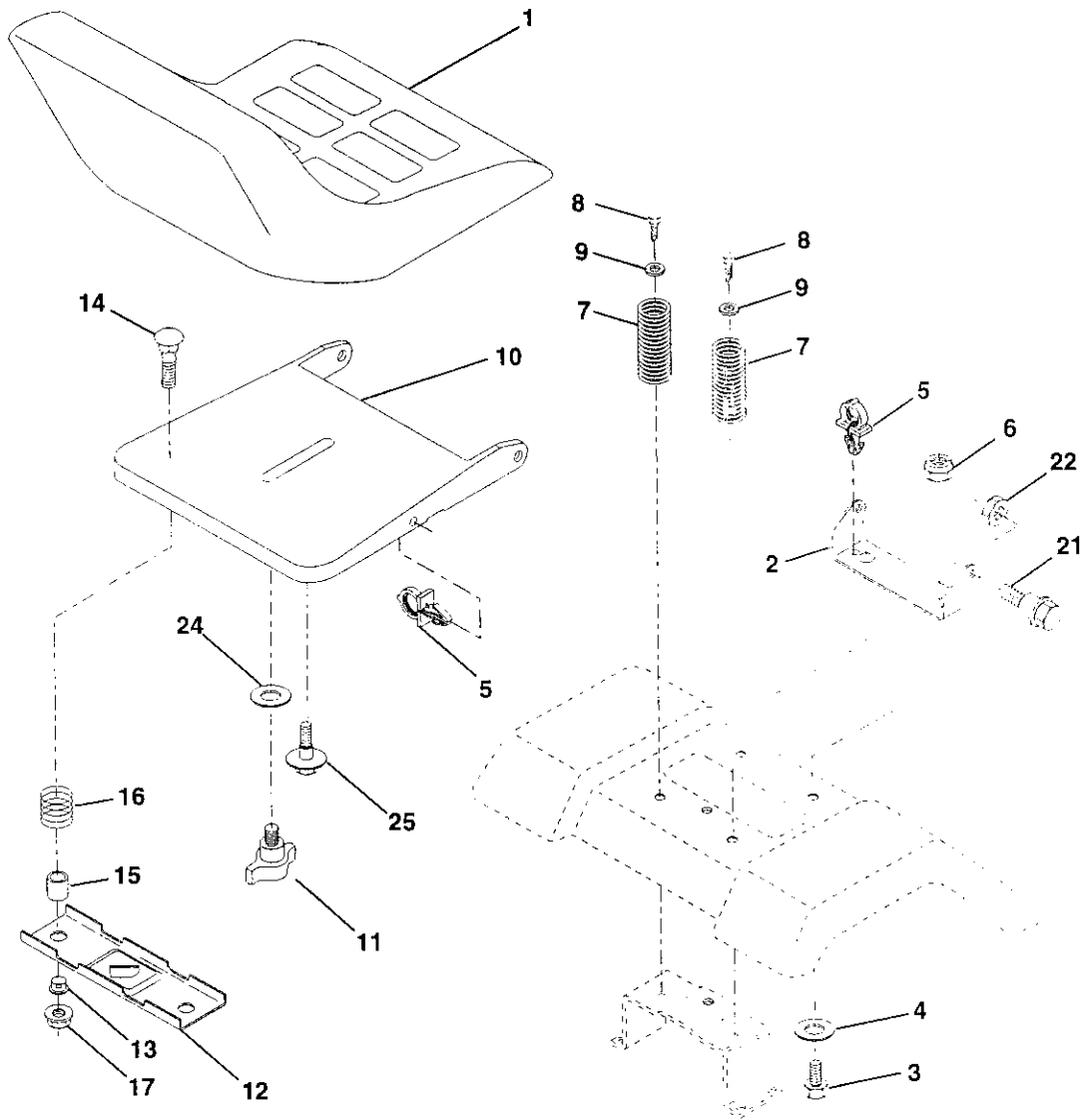
ENGINE

KEY NO.	PART NO.	DESCRIPTION
1	162158	Control Throt /Ch Lh
2	17720410	Screw Hex Thd Cut 1/4-20x5/8 T
3	-----	Engine (See Breakdown) Briggs Model 28U707-1174-E1
4	137352	Muffler Exhaust B&S Lt
13	165291	Gasket 1 3/13 Id Tin Plated
14	13280324	Nipple Pipe 3/8 Npt X 3"
15	13200300	Elbow Std 90 Degree 3/8-18 Npt
16	STD551237	Washer Lock Ext Tooth 3/8
23	159880	Shield Browning/Debris Guard
29	137180	Arrestor Spark
31	109202X	Tank Fuel 1 25 Fr
32	158990	Cap Asm Fuel Sears Vented
33	123487X	Clamp Hose Blk
35	17490512	Screw, Thdrol 5/16-18 x 3/4 Tyt
37	137040	Line Fuel 20"
38	-----	Plug Oil Drain (Order From Engine Manufacturer)
40	124028X	Bushing Snap Nyl Blk Fuel Line
44	17490412	Screw Hexwsh Thdrol 1/4-20x3/4
46	19091416	Washer 9/32 X 7/8 X 16ga
62	STD551131	Washer Lock Hvy Hlcl Spr 5/16
66	127951	Stop Throttle
72	71070512	Screw Hexhd Cap 5/16-18x3/4
78	17490620	Screw Thdrol 3/8-16x1-1/4 Tytt
81	128861	Nut Flange 1/4-20 Starter Nut

NOTE: All component dimensions given in U.S. inches
1 inch = 25.4 mm

TRACTOR - - MODEL NUMBER 917.259230

SEAT ASSEMBLY

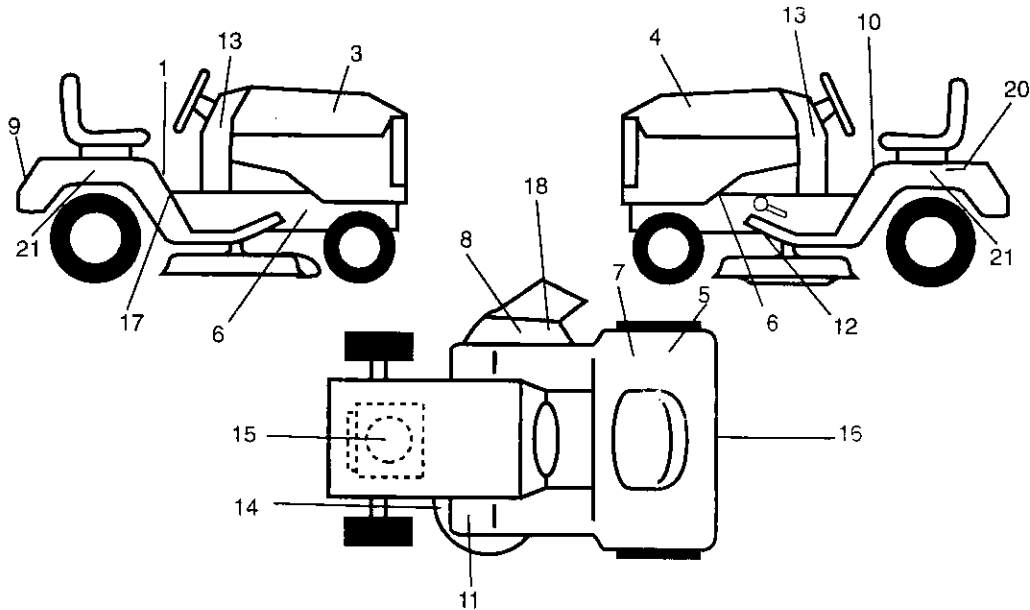


KEY NO.	PART NO.	DESCRIPTION	KEY NO.	PART NO.	DESCRIPTION
1	140122	Seat 3350 Blk/blk Craftsman	12	121246X	Bracket Pnt Mounting Switch
2	140551	Bracket Pnt Pivot Seat (blk)	13	121248X	Bushing Snap Blk Nyl 50 Id
3	STD523710	Bolt Fin Hex 3/8-16unc X 1	14	72050412	Bolt Rdhd Sht Nk 1/4-20x1-1/2
4	19131610	Washer 13/32 X 3/4 X 10 Ga	15	134300	Spacer Split 28 X 96 Zinc
5	145006	Clip Push In Hinged	16	121250X	Spring Cprsn 1 27 Blk Pnt
6	STD541437	Nut Hex Lock w/Ins 3/8-16 Unc	17	123976X	Nut Lock 1/4 Lge Flg Gr 5 Zinc
7	124181X	Spring Seat Cprsn 2 250 Blk Zi	21	153236	Bolt Shoulder 5/16-18 Unc-2A
8	17490616	Screw Thdrol 3/8-16 X 1 Ty-tt	22	STD541431	Nut Hex Lock w/Ins 5/16-18
9	19131614	Washer 13/32 X 1 X 14 Ga	24	19171912	Washer 17/32 X 1-3/16 X 12 Ga.
10	155925	Pan Pnt Seat (blk)	25	127018X	Bolt Shoulder 5/16-18 X 62
11	166369	Knob Seat Adj Wingnut			

NOTE: All component dimensions given in U.S. inches-1 inch = 25.4 mm

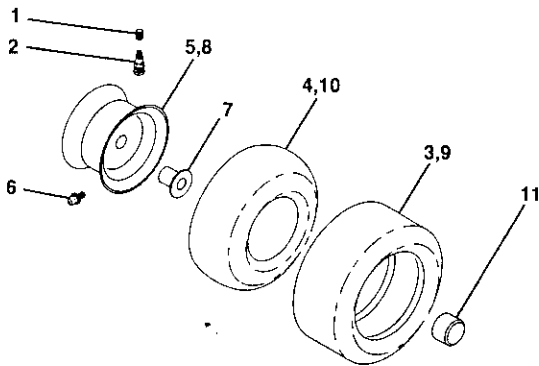
TRACTOR - - MODEL NUMBER 917.259230

DECALS



KEY NO.	PART NO.	DESCRIPTION	KEY NO.	PART NO.	DESCRIPTION
1	156811	Decal, Oper. Instr.	15	165388	Decal, Engine
3	163200	Decal, Hood, R.H.	16	142341	Decal, Drawbar Control Movement Hyd LT
4	163202	Decal, Hood, L.H.	17	145498	Decal Read Owners Manual
5	126187X	Decal, DBA	18	145494	Decal Mower Cutting Symbol
6	159736	Decal, Chassis Hot Muffler	20	145005	Decal Battery Dngr/Psn Eng
7	145437	Decal Europe Stand CE	21	163205	Decal, Fender Sd. Wht
8	166887	Decal, Deck Mower EZ	--	138311	Decal, Lift Handle
9	163204	Decal, Fender, Craftsman	--	154515	Pad Footrest LH STLT
10	156439	Decal, Fender Danger	--	166706	Pad Footrest RH STLT
11	159737	Decal Brake/Clutch	--	162598	Decal, Drawbar Load Limit
12	146046	Decal, V-Belt Drive Schematic	--	168626	Manual Parts
13	163250	Decal, Dash Panel	--	168624	Manual Oper Euro
14	160396	Decal, V-Belt Schematic	--	168625	Manual Oper Scan

WHEELS & TIRES

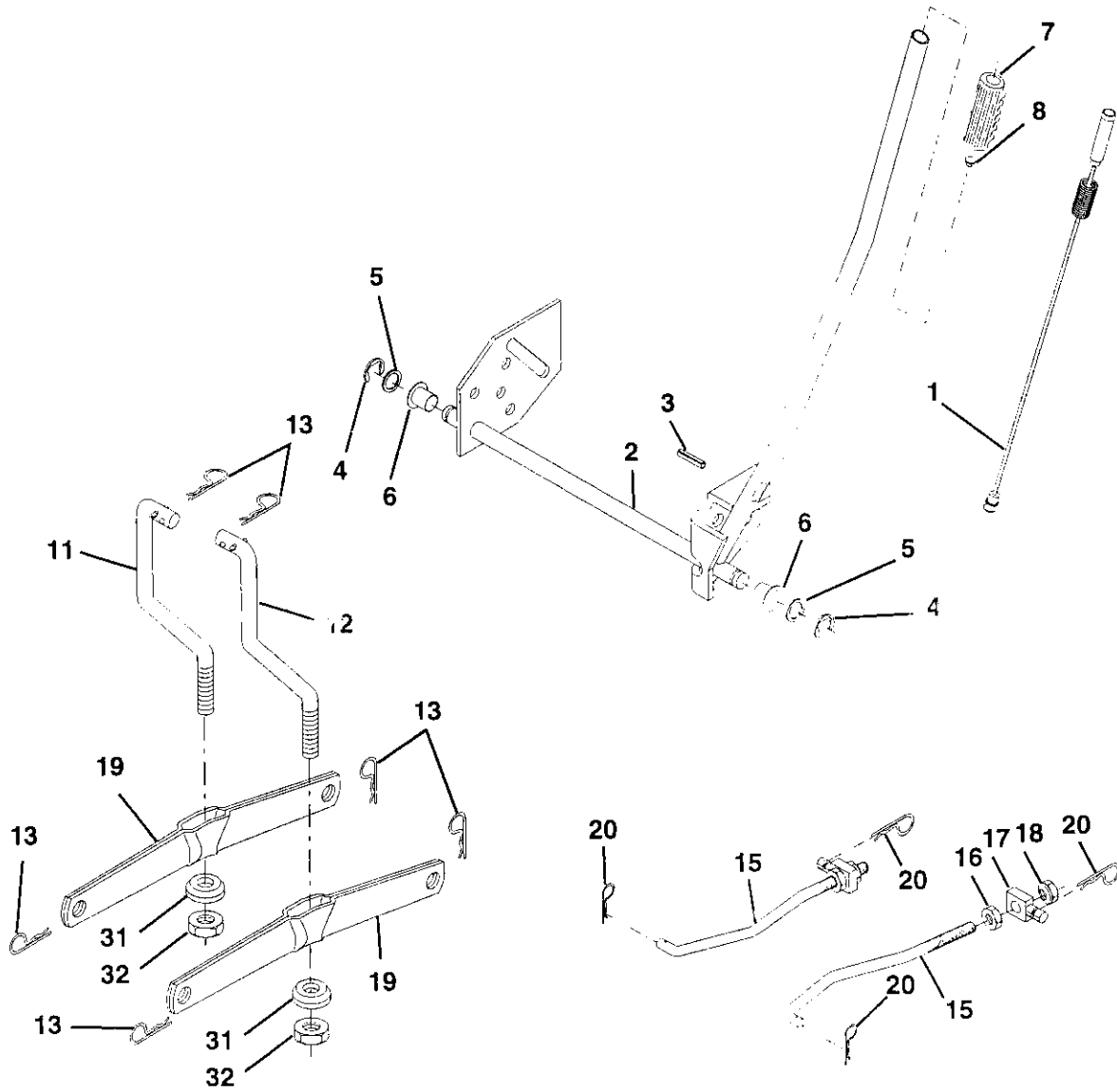


KEY NO.	PART NO.	DESCRIPTION
1	59192	Cap Valve Tire
2	65139	Stem Valve
3	106222X	Tire F Ts 15 X 6 0 - 6 Service
4	59904	Tube Inner Front #35060
5	106732X427	Rim Asm 6"front White Service
6	278H	Fitting Grease
7	9040H	Bearing Flange
8	106108X427	Rim Asm 8"rear White Service
9	106268X	Tire R Ts 18x9 5-8 Service
10	7152J	Tube Rear 9 5 X 8 Service
11	104757X	Cap Axle Blk 1 50 X 1 00
--	144334	Sealant, Tire (10 oz. tube)

NOTE: All component dimensions given in U.S. inches
1 inch = 25.4 mm

TRACTOR - - MODEL NUMBER 917.259230

LIFT ASSEMBLY



TRACTOR - - MODEL NUMBER 917.259230

LIFT ASSEMBLY

KEY NO.	PART NO.	DESCRIPTION
1	159460	Washer Asm Inner Spring W/Plunger
2	159471	Shaft Asm. Lift
3	105767X	Pin Groove
4	12000002	E Ring #5133-62
5	19211621	Washer 21/32 x 1 x 21 Ga.
6	120183X	Bearing Nylon
7	125631X	Grip Handle Fluted
8	122365X	Button Plunger Read
11	139865	Link Asm Lift L.H.
12	139866	Link Asm Lift R.H.
13	4939M	Retainer Spring
15	127218	Link Front
16	73350800	Nut Jam Hex 1/2-13 Unc
17	130171	Trunnion Blk Zinc
18	73680800	Nut Crownlock 1/2-13 Unc
19	139868	Arm Suspension Mower
20	163552	Retainer Spring
31	140302	Bearing, Pvt. Lift. Spherical
32	73540600	Nut Crownlock 3/8-24

NOTE: All component dimensions given in U.S. inches
1 inch = 25.4 mm

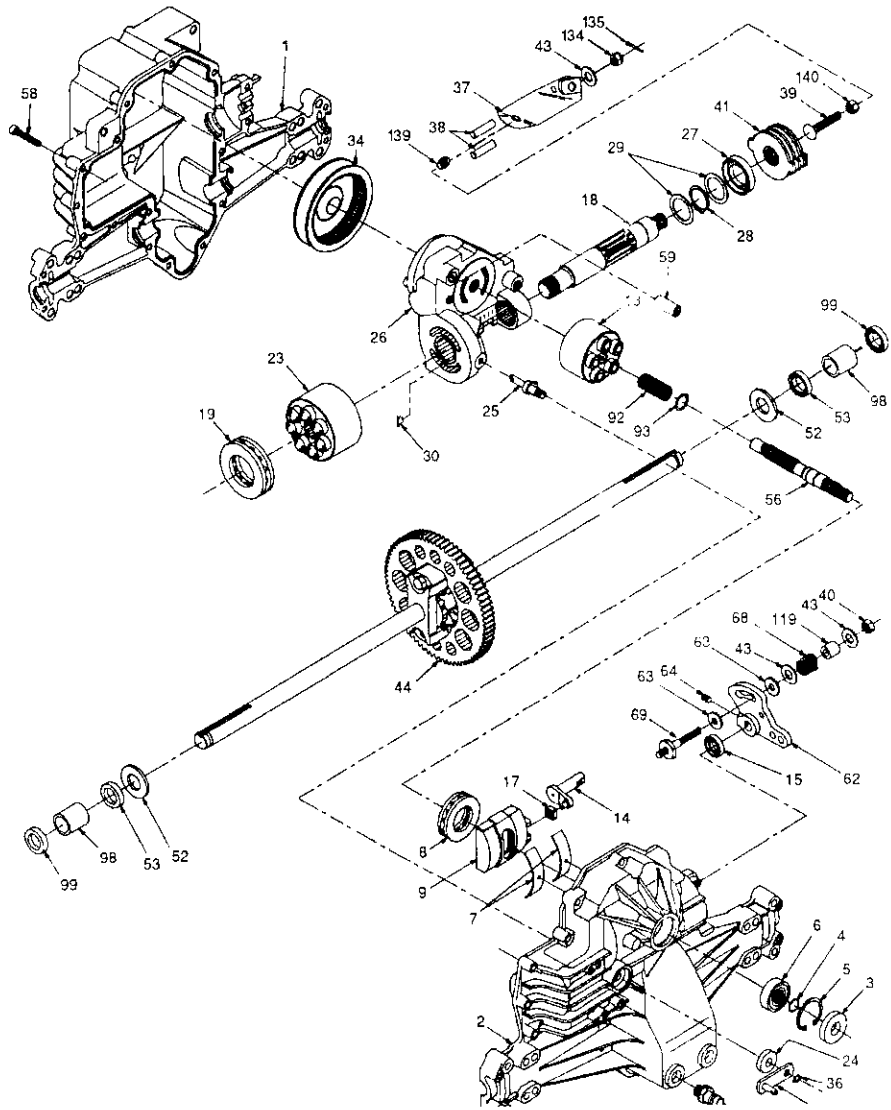
TRACTOR - - MODEL NUMBER 917.259230

MOWER DECK

KEY NO.	PART NO.	DESCRIPTION	KEY NO.	PART NO.	DESCRIPTION
1	164961	Mower Housing	51	STD541410	Locknut
2	STD533107	Bolt	52	139888	Bolt, Shoulder 5/16-18 UNC
3	138017	Bracket Assembly, Sway Bar, Front	53	131845	Arm Assembly, Pad, Brake
4	138440	Bracket Assembly, Sway Bar	54	133943	Washer, Hardened
5	STD624008	Retainer Spring	55	155046	Arm, Idler
6	130832	Arm, Suspension, Rear	56	122052X	Spacer, Retainer
8	850857	Bolt, Hex 3/8-24 x 1.25 Grade 8	58	140086	Spring, Torsion Brakes
9	STD551137	Washer, Lock	59	141042	Guard, TUV Idler
10	140296	Washer, Hardened	67	162113	Knob Custom Oval
11	134149	Blade, Mulching	68	144200	V-Belt
12	129895	Bearing, Ball	71	142427	Rod, Clutch, Primary, with Nibs
13	137645	Shaft Assembly, Mandrel, Vented (Includes Key Number 6)	72	131870	Spring, Return
14	128774	Housing, Mandrel, Vented	73	127847	Arm, Clutch, Secondary
15	110485X	Bearing, Ball, Mandrel	74	121748X	Washer 25/32 x 1-5/8 x 16 Gauge
16	140329	Stripper, Vented Mower Deck	75	12000029	Ring, Klip
17	72110610	Bolt, Carriage 3/8-16 x 1-1/4	76	128903	Bolt, Shoulder 3/8-16 UNC x 1.44
18	72140505	Bolt, Carriage 5/16-18 x 5/8	77	127845	Keeper, Spring
19	132827	Bolt, Shoulder	78	160570	Lever Asm. Clutch Pri Plm STLT
20	159770	Baffle, Vortex	79	127498	Bushing, Large, Brass
21	STD541431	Nut Crownlock 5/16-18 UNC	80	153701	Spring, Mower Clutch
22	134753	Stiffener Bracket	81	73350600	Nut, Hex Jam 3/8-16 Unc
23	131267	Bracket, Deflector	82	142028	Trunnion, Adj.
24	105304X	Cap, Sleeve	83	120958X	Washer Sintered
25	123713X	Spring, Torsion, Deflector	84	156084	Keeper Belt Idler
26	110452X	Nut, Push	85	72140620	Bolt Carriage 3/8-16 x 2-1/2
27	130968	Shield, Deflector	92	STD541437	Nut
28	19111016	Washer 11/32 x 5/8 x 16 Gauge	101	136420	Mulcher Cover
29	131491	Rod, Hinge	102	71161010	Screw
30	157722	Screw Thdrol Washer Head	103	19061216	Washer #10
31	129963	Washer, Spacer	104	STD551110	Washer, Lock
32	153535	Pulley, Mandrel	105	160793	Latch Assembly, Bagger
33	137266	Nut, Toplock, Flanged	106	2029J	Nut, Weld
34	STD533717	Bolt	128	153390	Washer Felt
35	133835	Fastner, Christmas Tree	129	19131312	Washer 13/32 x 13/16 x 12 Ga.
36	131494	Pulley, Idler, Flat	130	STD523710	Bolt, Fin Hex 3/8-16 UNC x 1 Gr. 5
37	19131316	Washer 13/32 x 13/16 x 16 Gauge	131	STD533710	Bolt, RDHD SQNK 3/8-16 UNC x 1
40	STD541437	Nut Crownlock 3/8-16 UNC	132	19132203	Spacer Washer 13/32 I.D. x 1-3/8 O.D. x 1/4
41	133551	Rod, Pivot, with Nibs	141	6266H	Washer Thrust .75 x 1.230
43	140083	Rod, Clutch, Secondary, with Nibs	--	130794	Mandrel Assembly (Includes Key Numbers 8-10, 12-15, 31 and 32)
44	140088	Guard, Mandrel, L.H.	--	164963	Mower Deck, Complete (Standard Deck, Order Separately Mulcher Plate Components, Key Nos. 101-106)
45	STD624003	Retainer			
46	137729	Screw, Thd. Roll 1/4-20 x 5/8			
48	133944	Washer, Hardened			
49	155066	Roller Assembly, Cam Follower			
50	131340	Bolt, Shoulder #10-24 Grade 5			

NOTE: All component dimensions given in U.S.inches
1 inch = 25.4 mm

TRACTOR - - MODEL NUMBER 917.259230
HYDRO TRANSAXLE - - MODEL NUMBER 319-0500



TRACTOR - - MODEL NUMBER 917.259230

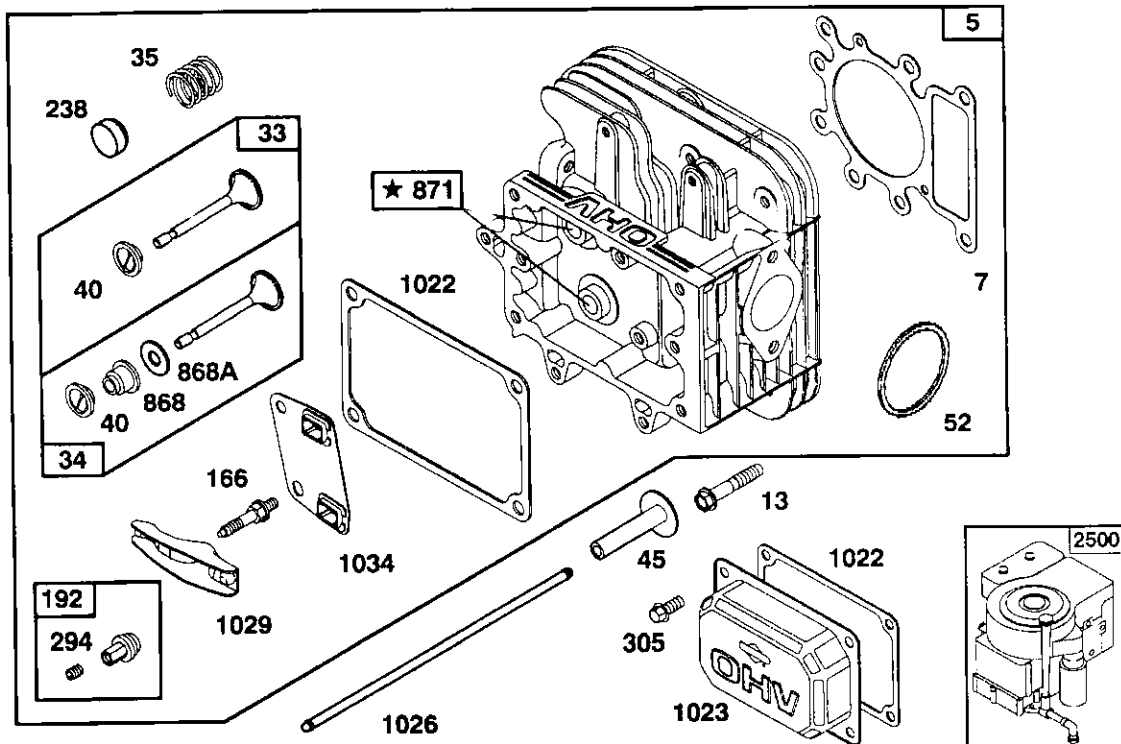
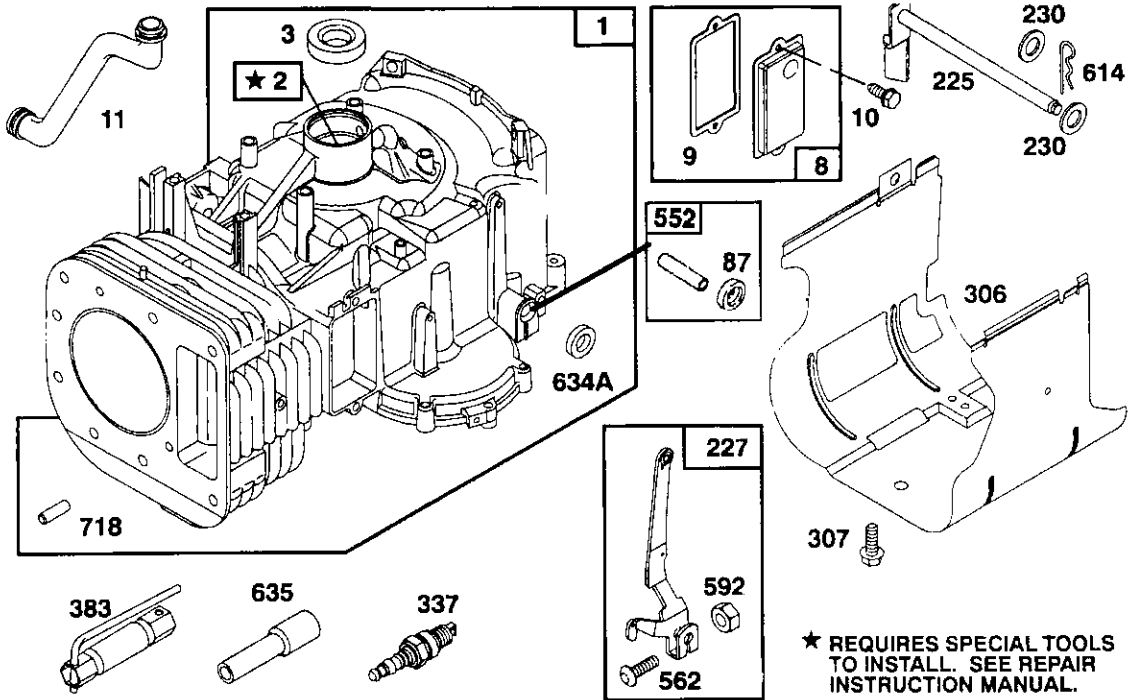
HYDRO TRANSAXLE - - MODEL NUMBER 319-0500

KEY NO.	PART NO.	DESCRIPTION	KEY NO.	PART NO.	DESCRIPTION
1	142986	Housing, Lower	40	150778	Locknut, Hex 5/16-24 UNJC
2	142987	Assembly, Upper Housing	41	142958	Brake Rotor/Stator Kit
3	142932	Seal, Lip	43	142884	Washer 7/16 x 7/8 x .060
4	142928	Ring, Wire Retaining	44	142990	Differential Assembly
5	142933	Ring, Retaining	52	142991	Washer 3/4 x 1.5 x .13
6	142934	Bearing, Shaft Ball	53	142961	Seal .75 x 1.25 x .250
7	142935	Bearing, Cradle	56	142963	Shaft, Input
8	150771	Bearing, Thrust 30 x 52 x 13	58	142964	Bolt 1/4-20 x 1.38
9	142937	Swashplate, Variable	59	142965	Pin .5 OD x .43 ID x .750
13	142938	Block, Cylinder Assembly	62	142966	Arm, Control
14	142939	Arm, Trunnion	63	142967	Puck, Dampener
15	142940	Seal, Lip	64	142920	Set Screw
17	142941	Guide, Slot	68	142969	Spring
18	150772	Shaft, Motor	69	144610	Stud 5/16-24
19	150773	Bearing, Thrust 42 x 68 x 16	92	142977	Spring, Block
23	142944	Block, Cylinder Assembly	93	142978	Washer, Block Thrust
24	142945	Seal, Lip 10 x 25 x 7	98	142993	Sleeve Bearing
25	142946	Actuator, Bypass	99	142976	Seal, Wiper
26	150774	Center Section Assembly Kit	113	142917	Cap, Vent Assembly
27	142948	Seal, Lip 26 x 42 x 8	114	142918	Fitting, O-Ring Assembly
28	142949	Ring, Retaining	119	142980	Spacer
29	142950	Washer 26 x 35 x 1	134	144607	Nut, Castle 5/16-24
30	150787	Nut, Jam	135	144608	Pin, Cotter
34	142951	Oil Filter Element	139	150775	Spring, Compression
35	142952	Arm, Bypass	140	150776	Nut, Hex 5/16-24
36	142953	Ring, Retaining			
37	142954	Arm, Actuating			
38	142955	Pin, Actuating			
39	150777	Bolt 5/16-24 x 1-3/4			

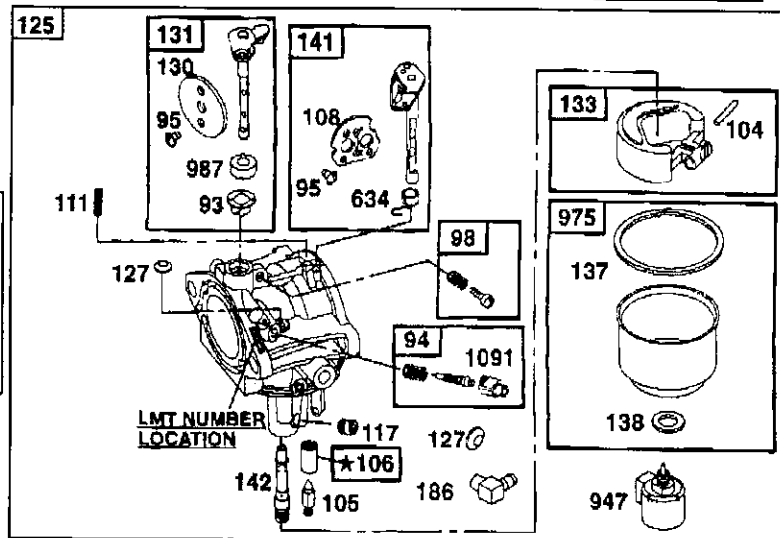
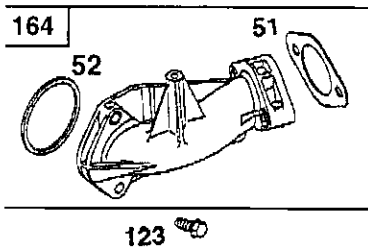
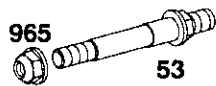
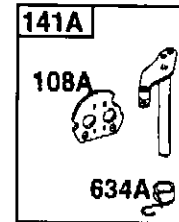
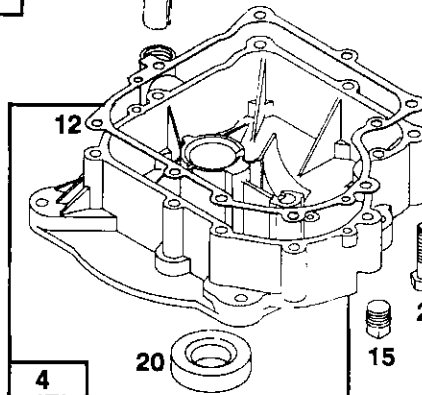
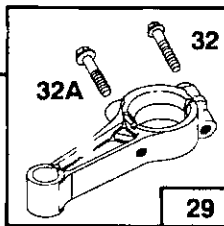
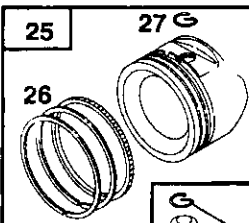
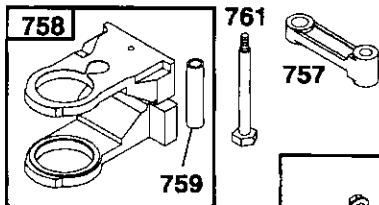
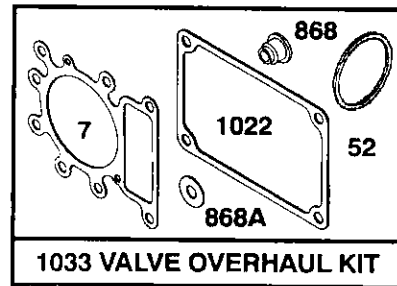
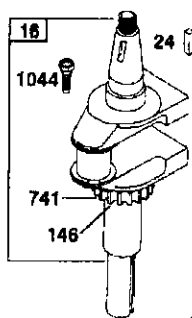
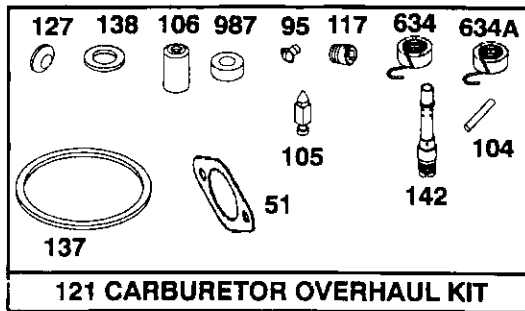
NOTE: All component dimensions given in U.S. inches
1 inch = 25.4 mm

TRACTOR - - MODEL NUMBER 917.259230

BRIGGS & STRATTON ENGINE-MODEL NUMBER 28U707, TYPE NUMBER 1174-E1

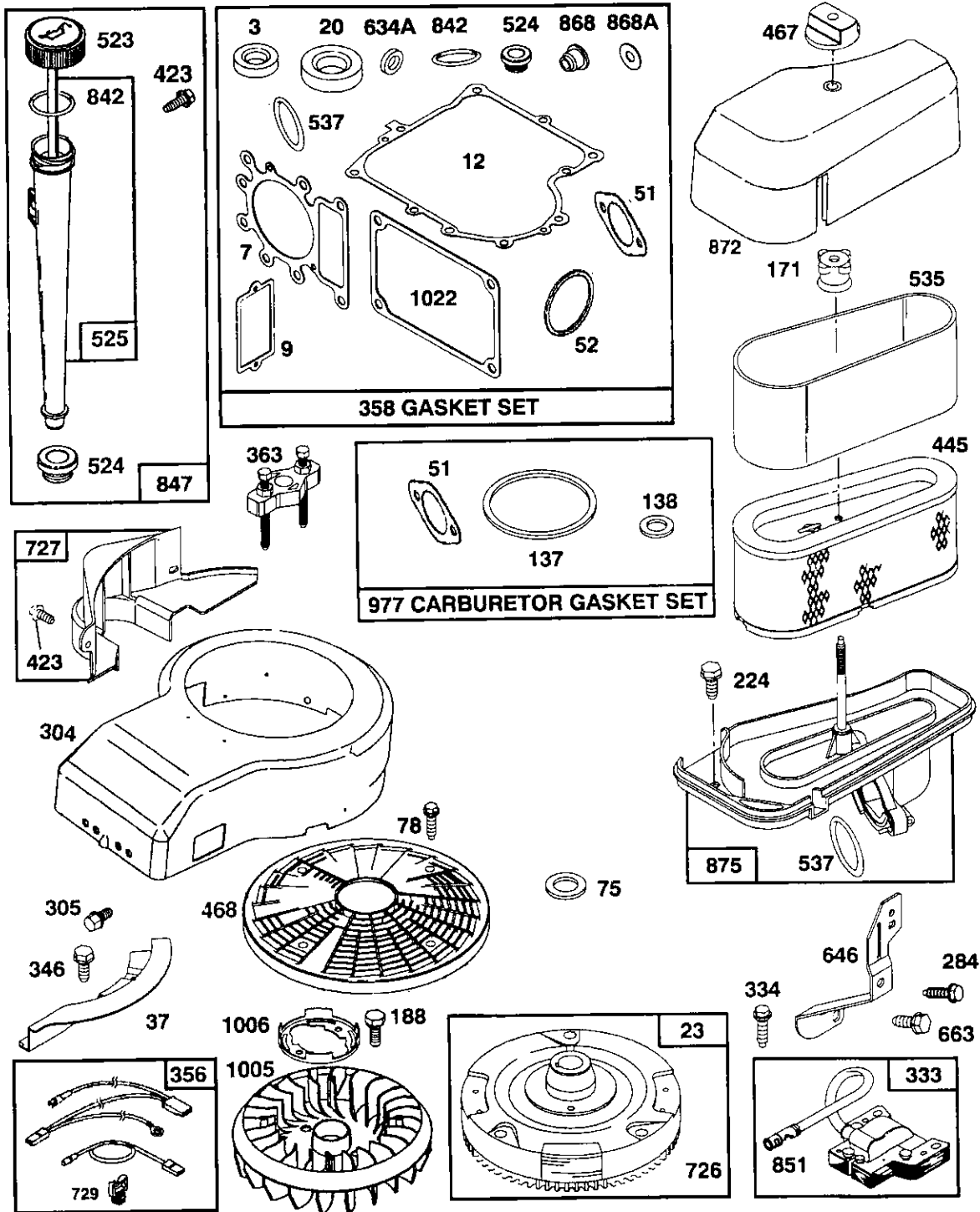


TRACTOR - - MODEL NUMBER 917.259230
BRIGGS & STRATTON ENGINE-MODEL NUMBER 28U707, TYPE NUMBER 1174-E1

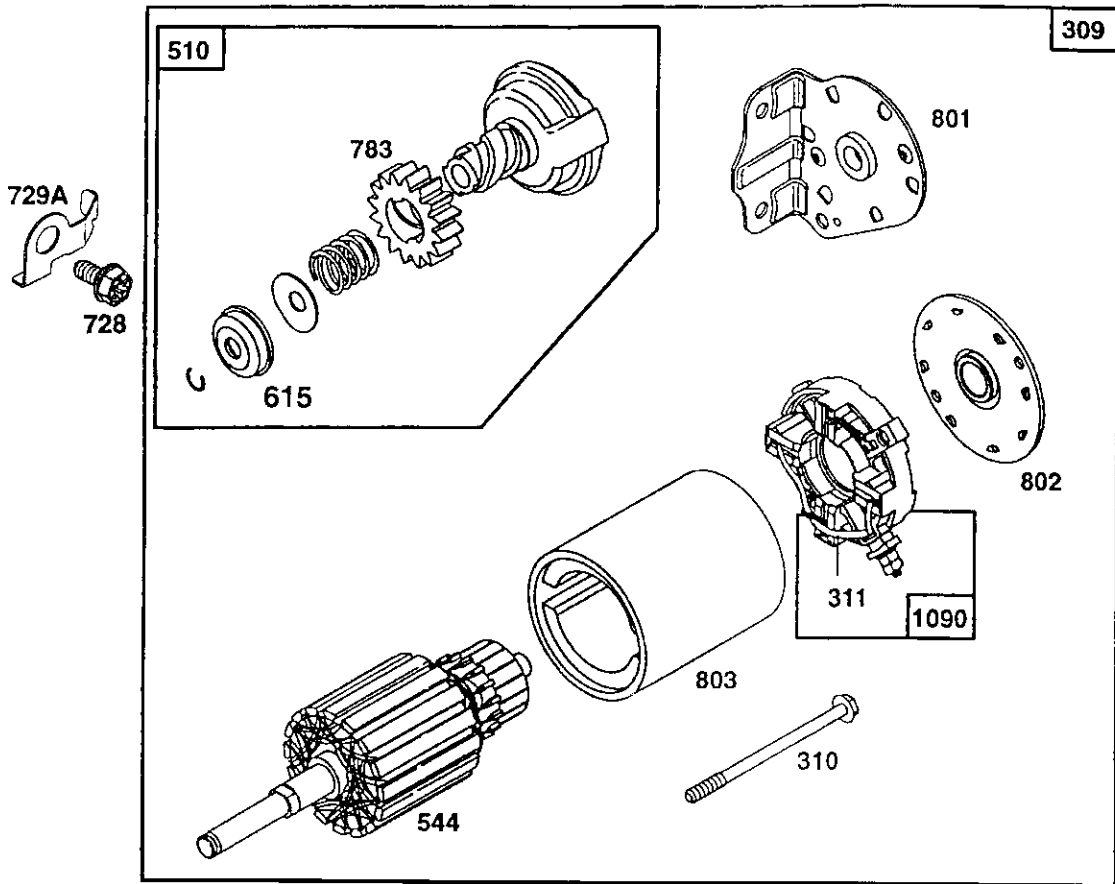
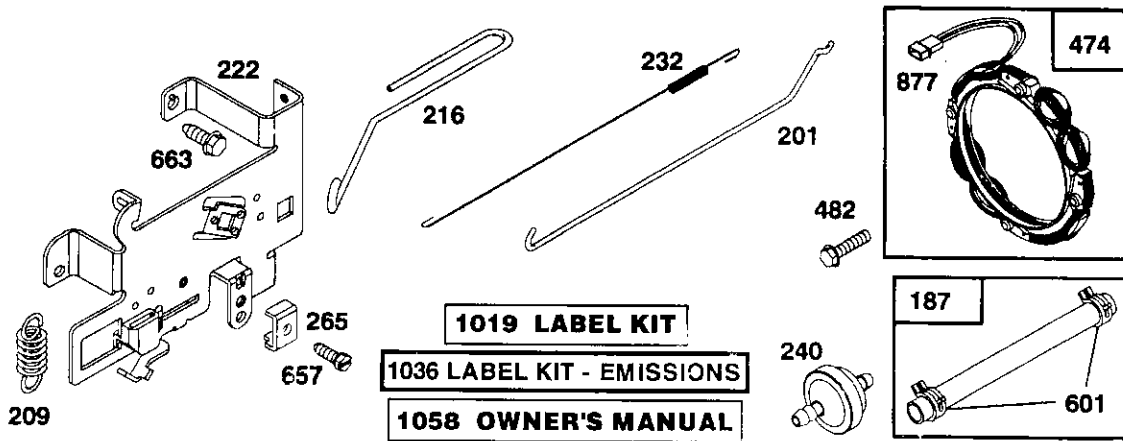


★ REQUIRES SPECIAL TOOLS TO INSTALL. SEE REPAIR INSTRUCTION MANUAL.

TRACTOR - - MODEL NUMBER 917.259230
BRIGGS & STRATTON ENGINE-MODEL NUMBER 28U707, TYPE NUMBER 1174-E1



TRACTOR - - MODEL NUMBER 917.259230
BRIGGS & STRATTON ENGINE-MODEL NUMBER 28U707, TYPE NUMBER 1174-E1



TRACTOR - - MODEL NUMBER 917.259230

BRIGGS & STRATTON ENGINE-MODEL NUMBER 28U707, TYPE NUMBER 1174-E1

KEY NO.	PART NO.	DESCRIPTION	KEY NO.	PART NO.	DESCRIPTION
1	496412	Cylinder Assembly	93	281346	Bushing, Throttle Shaft
2	399265	Bearing, Cylinder	94	498030	Valve, Needle
3	391086	* Seal, Oil	95	94098	** Screw, Throttle
4	494238	Base, Engine	98	495800	Screw, Idle Speed
5	495858	Head, Cylinder	104	231789	** Pin, Float Hinge
7	273280	*** Gasket, Cylinder Head	105	231855	** Valve Float
8	495735	Breather Assembly	106	231854	** Seat, Inlet Valve
9	27803	* Gasket, Valve Cover	108	224558	Valve, Choke (Lmt 153)
10	94621	Screw, Sems	108A	224540	Valve, Choke (Lmt 154)
11	281246	Tube, Breather	111	262715	Spring Choke (Lmt 155)
12	271916	* Gasket, Crankcase Cover, .015"	117	232118	** Jet, Needle Valve (Std.)
	271997	* Gasket, Crankcase Cover, .005"		232119	Jet, Needle Valve (Hi-Alt.)
	271996	* Gasket, Crankcase Cover, .009"	121	499233	Carburetor Overhaul Kit
13	94728	Screw, Cylinder Head	123	94913	Screw, Elbow Mounting
15	94239	Plug, Oil Drain	125	499153	Carburetor Assembly
16	498971	Crankshaft	127	- - -	** Plug, Welch (Sold in Kit Only)
	94196	Timing Gear Key	130	224539	Valve, Throttle
20	291675	* Seal, Oil	131	494379	Shaft and Lever, Throttle
22	94624	Screw, Sems, Base Mounting	133	494381	Float, Carburetor
23	492326	Flywheel and Ring Gear Assembly, Magneto	137	281165	**** Gasket, Float Bowl
			138	281164	**** Washer, Bowl
24	222698	Key, Flywheel	141	495097	Choke, Shaft Kit (Choke-A-Matic)
25	495860	Piston Assembly, Standard Size			
	495977	Piston Assembly, .010" Oversize	141A	495931	Choke, Shaft Kit (Choke-A-Matic)
	495978	Piston Assembly, .020" Oversize	142	232117	** Nozzle, Carburetor
	495979	Piston Assembly, .030" Oversize	146	94196	Key, Timing Gear
26	495854	Ring Set, Piston, Standard Size	164	214047	Elbow, Carburetor
	495852	Ring Set, Piston, .010" Oversize	166	94555	Stud, Rocker Arm
	495851	Ring Set, Piston, .020" Oversize	171	281051	Nut, Air Cleaner Mounting
	495855	Ring Set, Piston, .030" Oversize	186	493496	Connector, Hose
27	263129	Lock, Piston Pin	187	298099	Line, Fuel (Cut to Suit)
28	498319	Pin Assy., Piston, Standard Size	188	94627	Screw, Sems
	498320	Pin Assy., Piston, .005" Oversize	192	492160	Screw Assembly, Rocker Arm
29	494504	Rod Assembly, Connecting	201	262767	Link, Governor
	495490	Rod Assembly, Connecting, .020" Undersize Crankpin Bore	209	260695	Spring, Governor
32	94695	Screw, Hex Washer Head, 1-57/64	216	262766	Link, Choke
32A	94648	Screw, Hex Washer Head, 1-5/8	219	490815	Gear, Governor
33	495856	Valve, Exhaust	222	495611	Plate, Governor Control
34	495857	Valve, Intake	224	94905	Screw, Sems, Air Cleaner
35	262811	Spring, Valve	225	495157	Crank, Governor
37	224502	Guard, Flywheel	227	493935	Lever Assembly, Governor
40	224641	Retainer, Valve Spring	230	94742	Washer, Governor Crank
45	262411	Tappet, Valve	232	262785	Spring, Governor Link
46	496884	Gear, Cam	238	262836	Cap, Valve
51	272465	**** Gasket, Carburetor (Carburetor to Elbow)	240	394358	Filter, Fuel (In Fuel Line)
52	272569	*** Gasket, Carburetor (Elbow to Cylinder)	265	221535	Clamp, Casing
53	94637	Stud, Carburetor Mounting	284	94704	Screw, Hex Head
75	225136	Washer, Spring			* Included in Gasket Set (495993)
78	94832	Screw, Pan Head			** Included in Carburetor Kit (499233)
87	491323	* Seal, Governor Shaft			*** Included in both Gasket Set (495993) and Valve Overhaul Kit (495992)
					**** Included in Gasket Set (495993), Carburetor Kit (499233) and Carburetor Gasket Set (494385)

NOTE: All component dimensions given in U.S. inches
1 inch = 25.4 mm

TRACTOR - - MODEL NUMBER 917.259230

BRIGGS & STRATTON ENGINE-MODEL NUMBER 28U707, TYPE NUMBER 1174-E1

KEY NO.	PART NO.	DESCRIPTION	KEY NO.	PART NO.	DESCRIPTION
294	810068	Screw, Set	757	213998	Link, Counterweight
304	496280	Housing, Blower	758	399891	Counterweight Assembly
305	94786	Screw, Hex, Head,	759	298909	Pin, Counterweight
		Blower Housing Mounting	761	94593	Screw, Counterweight
306	225020	Shield, Cylinder	783	280104	Gear, Starter
307	94930	Screw, Cylinder Shield	801	394856	Cap, Drive
309	497595	Motor, Starter	802	497605	Cap, End
310	497602	Bolt, Thru	803	497604	Housing, Starter
311	497608	Brush Set	842	270920	* Seal, Oil Filler Cap
333	495859	Armature, Magneto	847	496415	Fill Group, Oil
334	94731	Screw, Sems, Armature	851	224110	Terminal, Ignition Cable
		Mounting	868	494435	*** Seal Assembly, Valve
337	491055	Plug, Spark	868A	272610	*** Gasket, Valve
346	93705	Screw, Hex Head	871	262835	Bushing, Guide (Intake & Exhaust)
356	497708	Wire Assembly			Cover, Air Cleaner
358	495993	Gasket Set	872	281361	Body, Air Cleaner
363	19203	Puffer, Flywheel	875	495862	Diode and Connector Assembly
383	89838	Wrench, Spark Plug	877	393456	Solenoid
423	94903	Screw, Sems	947	497672	Nut, Hex
445	493909	Cartridge, Air Cleaner	965	94010	Bowl Assembly, Carburetor
467	493903	Knob, Air Cleaner	975	495933	Carburetor Gasket Set
468	494439	Screen, Flush Rotating	977	494385	** Seal, Throttle Shaft
474	393474	Stator, Alternator	987	281166	Fan, Flywheel
482	93621	Screw, Sems	1005	281400	Retainer, Fan
503	806000	Strap, Starter	1006	224413	Label Kit
510	497606	Drive, Starter	1019	496758	*** Gasket, Cover
523	495230	Cap and Dipstick, Oil Filler	1022	272475	Cover, Rocker Arm
524	281370	* Seal, Filler Tube	1023	224552	Rod, Push, Intake
525	496113	Tube, Oil Filler	1026	494432	Rod, Push, Exhaust
535	272403	Element, Filter		495136	Arm, Rocker
537	281106	* O-Ring, Air Cleaner	1029	224554	Valve Overhaul Kit
544	497603	Armature, Starter	1033	495992	Guide Assembly, Push Rod
552	491986	Bushing, Governor Crank	1034	495248	Label Kit, Emissions
562	94907	Bolt, Carriage	1036	499364	Screw, Hex Head
592	231978	Nut, Hex	1044	94673	Tie, Cable
601	93053	Clamp, Fuel Pipe	1054	270723	Manual, Owner's
614	93306	Pin, Cotter	1058	272623	Retainer, Brush
615	263080	Retainer	1090	497607	Cap, Limiter
618	262803	Spring, Choke Return	1091	281364	Replacement Engine
634	494453	** Seal, Spring Assy.	2500	28N707-1026	Replacement Shortblock
634A	494455	** Seal, Spring Assy.	— —	496050	
635	280872	Boot, Spark Plug			
646	224546	Brace, Air Cleaner			
657	94906	Screw, Sems			
663	94620	Screw, Self-Tapping			
718	230192	Pin, Dowel			
726	399676	Gear, Ring			
		(Includes Mounting Hardware)			
727	490324	Cover, Starter			
728	94951	Screw, Torx®			
729	281390	Clip, Wire			
729A	225170	Retainer, Wire			
741	262932	Gear, Timing			

RPM Settings: Low: 1650-1850, High: 3200-3400

- * Included in Gasket Set (495993)
- ** Included in Carburetor Kit (499233)
- *** Included in both Gasket Set (495993) and Valve Overhaul Kit (495992)
- **** Included in Gasket Set (495993), Carburetor Kit (499233) and Carburetor Gasket Set (494385)

NOTE: All component dimensions given in U.S. inches
1 inch = 25.4 mm

CRAFTSMAN®