

REPAIR PARTS MANUAL

MODEL NO. 277400

Lawn Tractor

254K Hyd 2003



HOW TO USE THIS MANUAL

This manual is designed to provide the customer with a means to identify the parts on his/her tractor when ordering repair parts. The illustrations may or may not represent the actual assemblies; therefore, it is not recommended to use this manual as a guide to assemble or disassemble the tractor. Some hardware and parts are drawn larger in order to more readily identify them.

Each tractor has its own model number.

The model number for your tractor can be found on the fender under the seat.

When ordering parts, always give the following information:

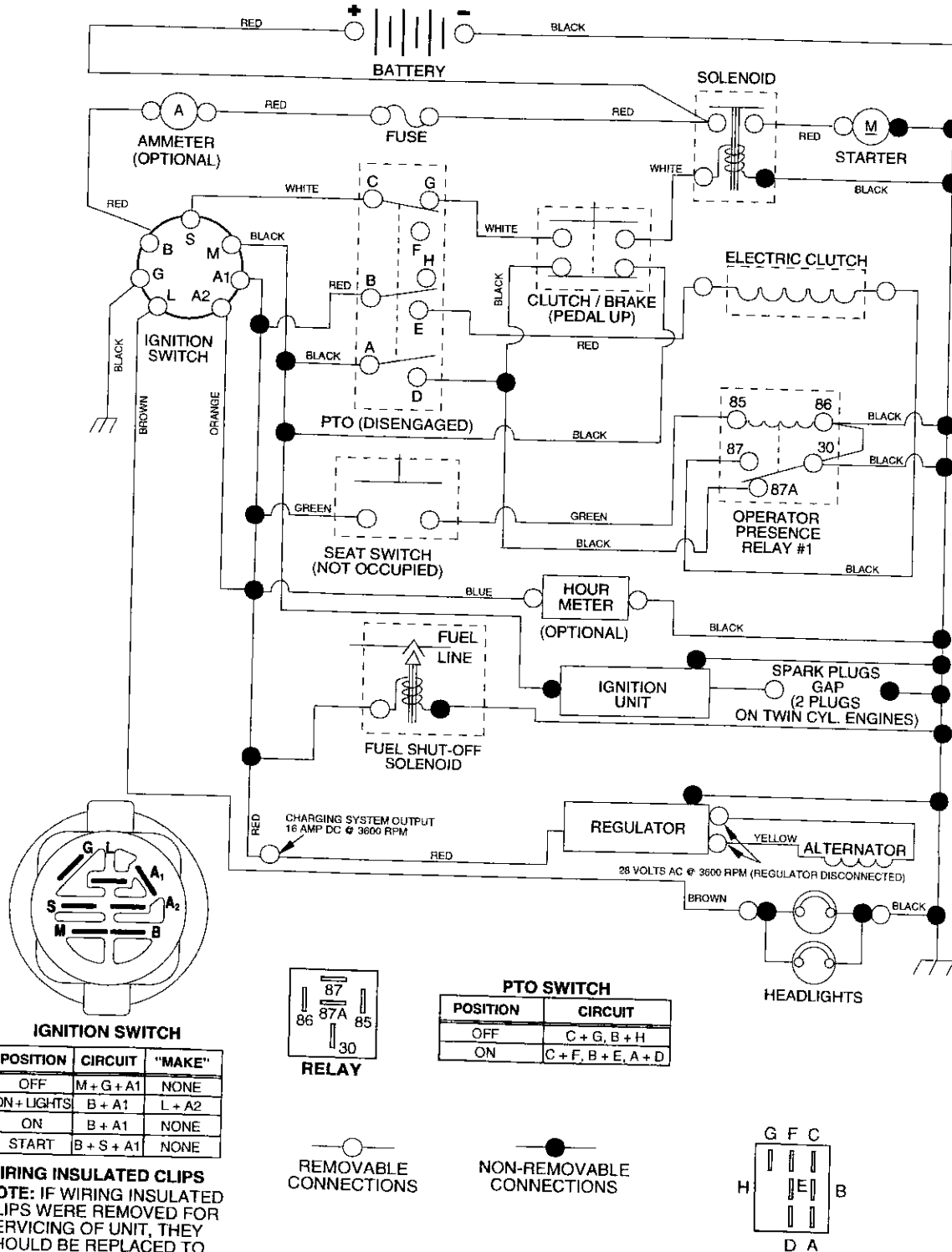
- Product - "Tractor"
- Model Number - 277400
- Part Number
- Part Description

TABLE OF CONTENTS

SCHEMATIC	3
ELECTRICAL.....	4-5
CHASSIS AND ENCLOSURES.....	6-7
DRIVE.....	8-9
STEERING ASSEMBLY.....	10-11
SEAT ASSEMBLY	12
DECALS.....	13
ENGINE.....	14-15
MOWER LIFT.....	16-17
MOWER	18-19
TRANSAXLE.....	20-21
ENGINE BREAKDOWN.....	22-26
WARRANTY.....	27

SCHEMATIC

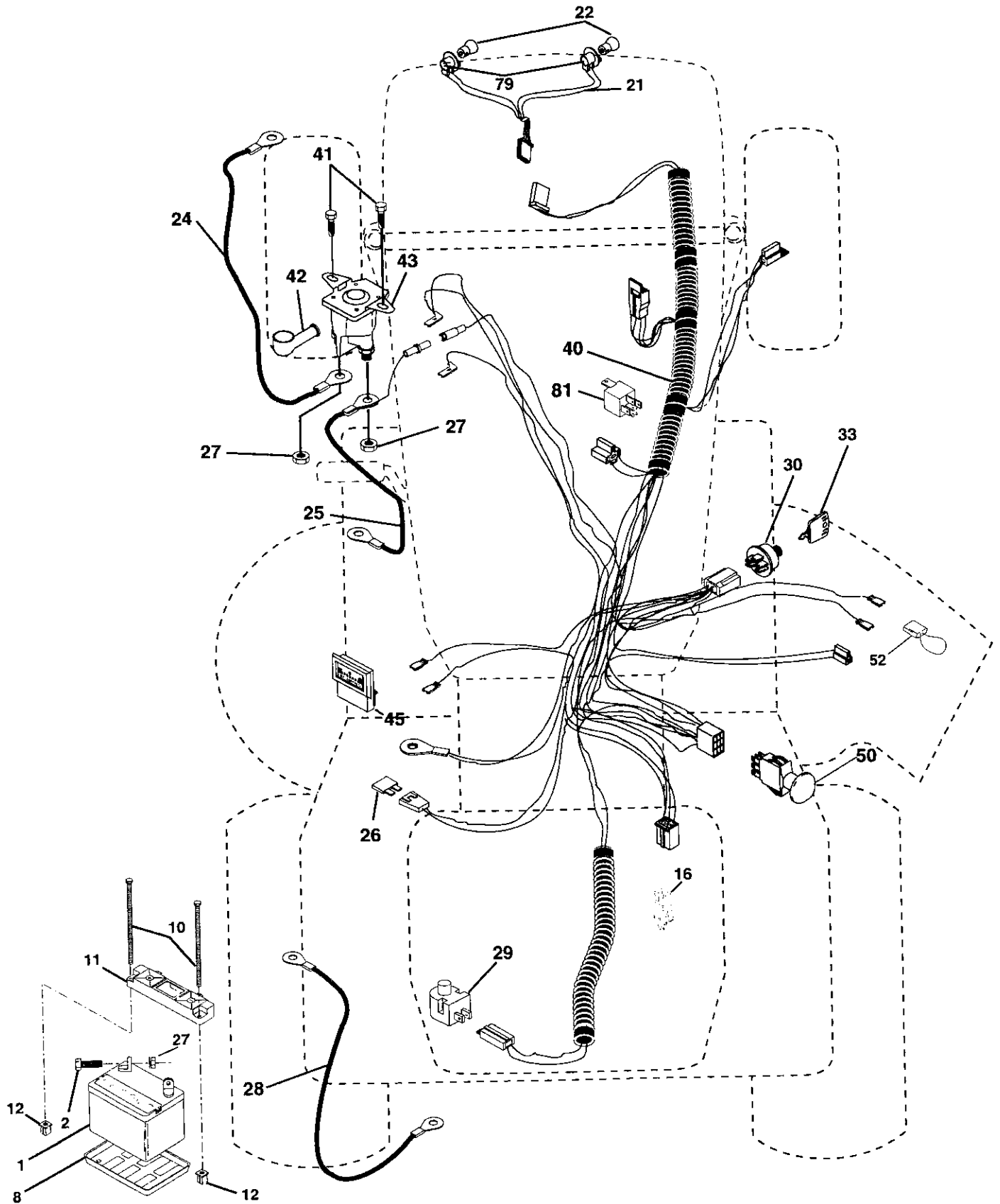
TRACTOR - MODEL NO. 917.277400



REPAIR PARTS

TRACTOR- -MODEL NO. 917.277400

ELECTRICAL



REPAIR PARTS

ELECTRICAL

TRACTOR- -MODEL NO. 917.277400

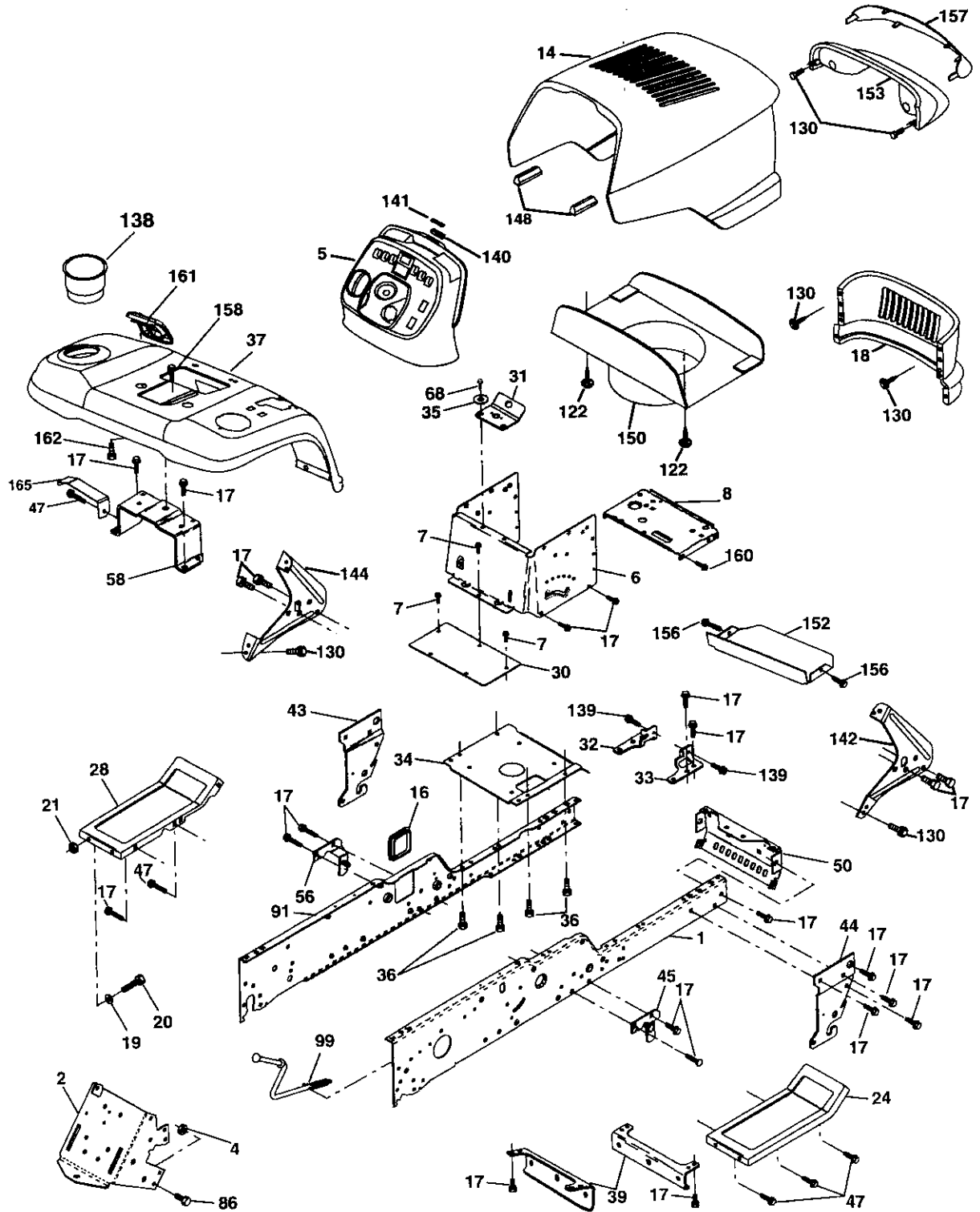
KEY NO.	PART NO.	DESCRIPTION
1	144927	Battery
2	74760412	Bolt Hex Head 1/4-20 x 3/4
8	7603J	Tray, Battery
10	145211	Bolt 1/4-20 x 7.5 Zinc
11	150109	Hold down Battery Dash Mount
12	145769	Nut Push Nylon 1/4"
16	176138	Switch Interlock Push-In
21	175688	Harness Socket Light W/4152J
22	4152J	Bulb Light
24	185464	Cable Starter 6 Ga. 22" Red
25	146149	Cable, Battery
26	108824X	Fuse
27	73510400	Nut Keps Hex 1/4-20 Unc
28	170697	Cable, Ground
29	160784	Switch, Plunger
30	175566	Switch, Ign
33	140403	Key, Ignition
40	170238	Harness Ign.
41	17720408	Screw Thd Cut 1/4-20 x 1/2
42	131563	Cover, Terminal
43	178861	Solenoid W/Brass Plunger
45	122822X	Ammeter
50	174652	Switch, PTO
52	141940	Hourmeter Adaptor
79	175242	Bulbholder Asm Incandescent SV
81	109748X	Relay Asm.

NOTE: All component dimensions given in U.S. inches.
1 inch = 25.4 mm.

REPAIR PARTS

TRACTOR- -MODEL NO. 917.277400

CHASSIS AND ENCLOSURES



chassis-stealth_43-vgt

REPAIR PARTS

TRACTOR- -MODEL NO. 917.277400

CHASSIS AND ENCLOSURES

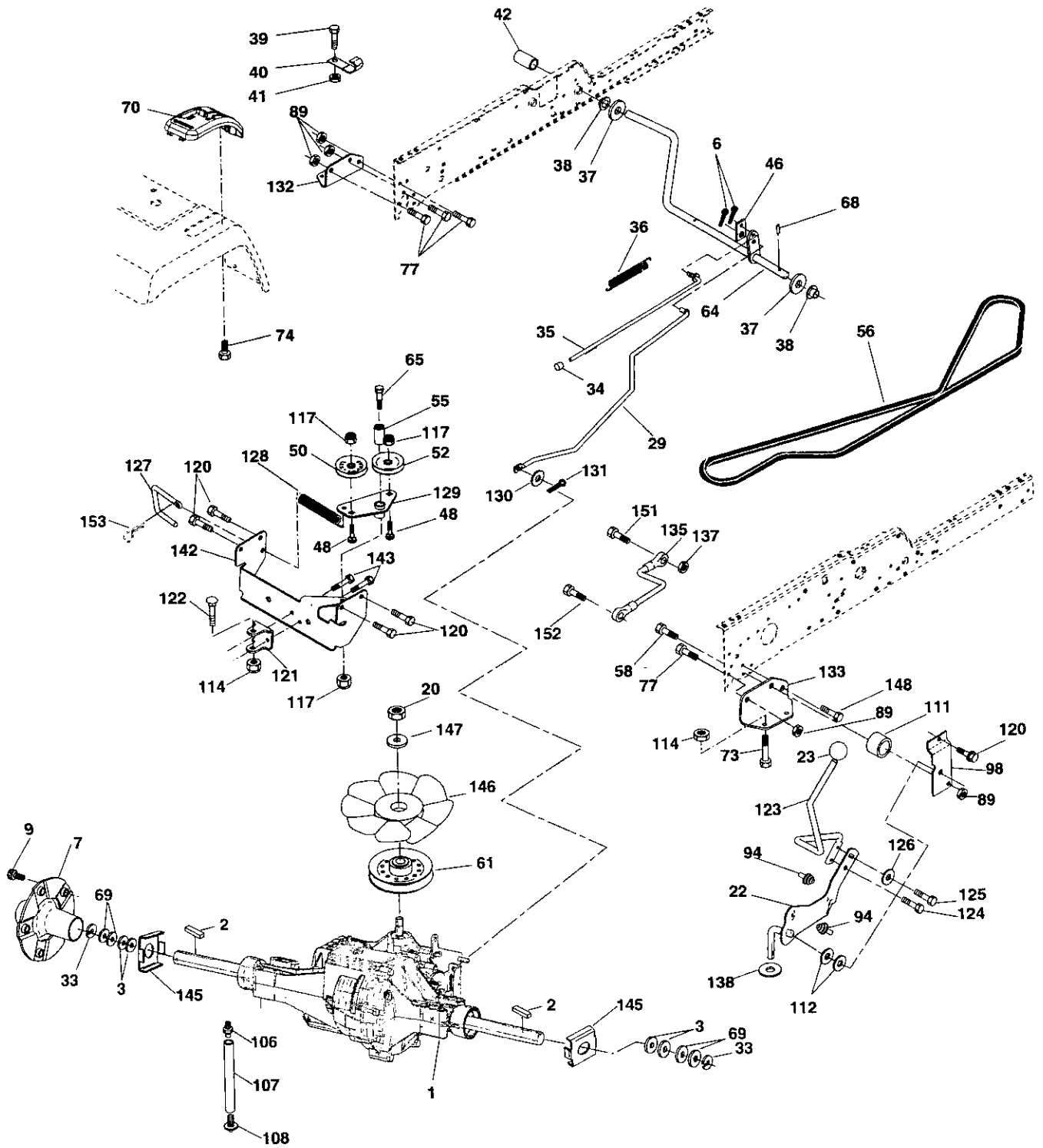
KEY NO.	PART NO.	DESCRIPTION	KEY NO.	PART NO.	DESCRIPTION
1	180375	Rail, Frame RH	50	175476	Bracket, Chassis Front
2	175282	Drawbar, Gt	56	176016	Bracket Asm., Susp Chas. Lh
4	73680700	Nut 7/16-14	58	183569	Bracket Asm., Fender
5	163976X428	Dash YTGT 2 Cyl	68	17490508	Screw Thdrol. 5/16-18 x 1/2
6	157882	Dash, Lower Vgt One Piece	86	7478716	Bolt Fin Hex 7/16-14 UNC x 1
7	17720408	Screw, Thd Cut 1/4-20 x 1/2	91	180374	Rail, Frame Lh
8	184668	Support, Battery	99	177143	Rod By Pass
14	175260X615	Hood Asm	122	161464	Screw Hex Wshd 8-18 x 7/8
16	121794X	Cover, Access	130	171875	Screw Hwhd Hi-Lo #13-16x3/4
17	17060612	Screw 3/8-16 x .75	138	179125X428	Cup Holder
18	174515X615	Grille	139	171873	Bolt Shoulder 5/16-18 TT
19	19131312	Washer 13/32x13/16x12 Ga.	140	163806	Magnet YTGT
20	STD523710	Bolt, Fin Hex 3/8-16 x 1	141	163805	Striker Plate YTGT
21	STD541437	Nut Crownlock 3/8-16 Unc	142	161897	Bracket Dash Rh
24	179717X615	Footrest, RH	144	161900	Bracket Dash Lh
28	179716X615	Footrest, LH	148	164655	Extrusion Bumpers
30	145052	Saddle, Hydro	150	175352	Duct Heat Hood
31	161419	Brace, Supt 1-pc VGT	152	177956	Shield Browning
32	161327	Bracket, Pivot Chassis Lh	153	179761	Lightbox Asm W/Lens
33	161326	Bracket, Pivot Chassis Rh	156	17000612	Screw 3/8-16 x .75
34	177018	Plate Asm Engine	157	161840	Lens Bar
35	19111116	Washer 11/32x11/16x16 Ga.	158	17670608	Screw Thdrol 3/8-16 x 1/2
36	17060512	Screw 5/16-18 x 3/4	160	17000512	Screw 5/16-18 x 3/4
37	178510X615	Fender Pnt	161	179612X428	Console Fuel Window
39	175278	Bracket, Axle Front	162	142432	Screw Hex 1/4-1/2 Unc
43	136939	Bracket, Spnsn Front Lh	165	183554	Bracket Support Tank
44	136940	Bracket, Spnsn Front Rh			
45	176018	Bracket Asm., Susp Chas. Rh			
47	17490608	Screw Thdrol. 3/8-16 x 1/2			

NOTE: All component dimensions given in U.S. inches.
1 inch = 25.4 mm.

REPAIR PARTS

TRACTOR- -MODEL NO. 917.277400

DRIVE



REPAIR PARTS

TRACTOR- -MODEL NO. 917.277400

DRIVE

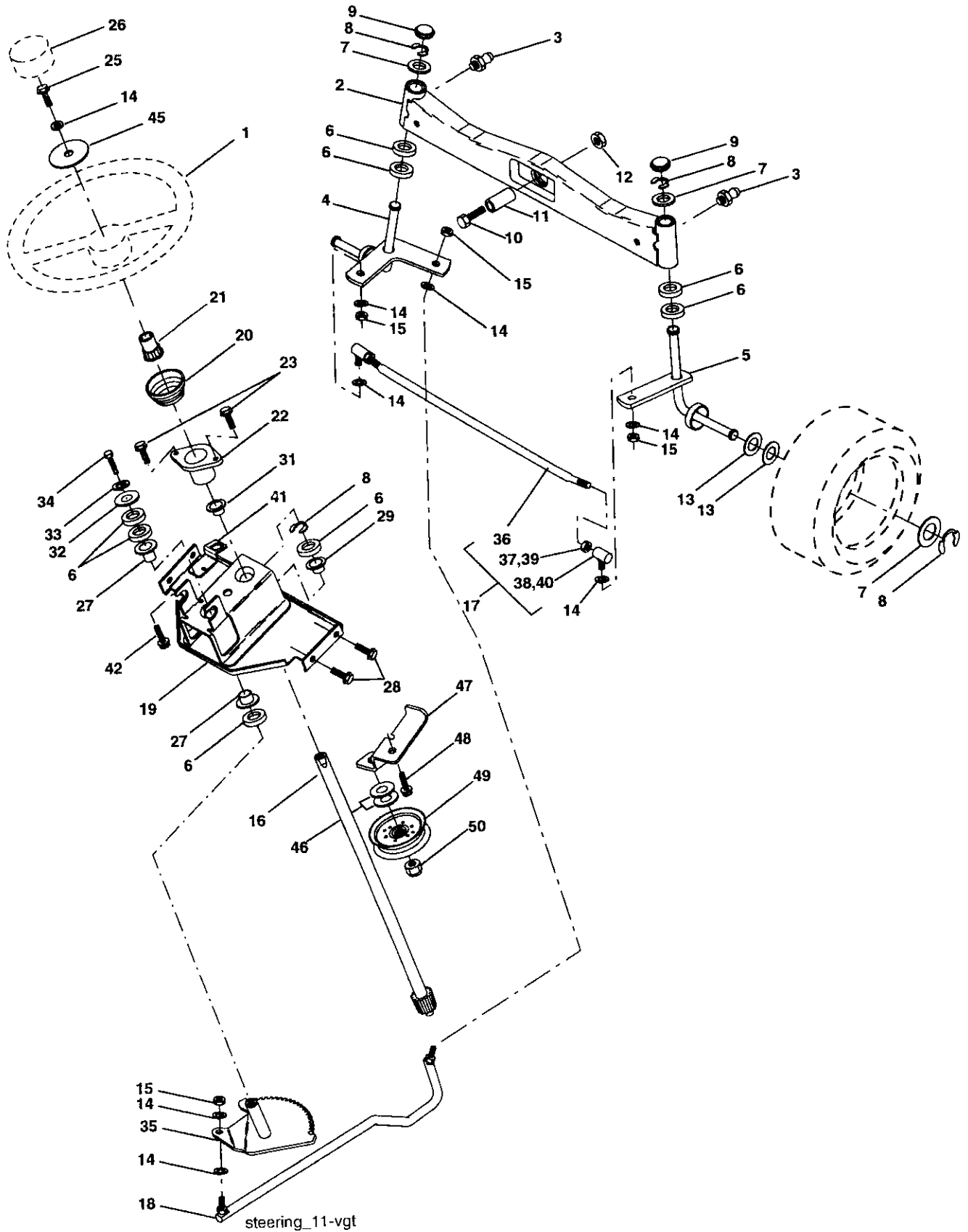
KEY NO.	PART NO.	DESCRIPTION	KEY NO.	PART NO.	DESCRIPTION
1	-----	Transaxle Hydro Gear 331-3000 (See Breakdown)	98	141004	Bracket Shift
2	7070E	Key 1/4 x 2.5	106	142918	O-Ring Asm Hydro Gear
3	7563R	Washer Thrust	107	154739	Line Fuel Hydro 15" VGT
6	STD561210	Pin, Cotter	108	142917	Cap Asm Vent Hydro Gear 70109
7	140507	Wheel, Hub Assembly	111	156240	Spacer Shift Lever VGTH
9	140080	Bolt, Hub	112	178558	Washer Nylon High Temp
20	73940800	Nut	114	73800500	Nut Lock Hx W/Ins 5/16-18 Unc
22	180235	Lever Asm Shift Lower	117	73900600	Nut, Lock Fig. 3/8-16
23	130564	Knob	120	17060612	Screw 3/8-16 x .75
29	176600	Brake, Rod	121	175611	Bracket Strap Torque
33	12000053	Ring E	122	72010520	Bolt RDHD SQ 5/16-18unc x 2-1/2
34	71673	Cap, Parking Brake	123	183254	Rod Shift
35	137648	Rod, Parking Brake	124	165492	Bolt Shoulder 5/16-18 x .561
36	149412	Spring, Drive Ground	125	166880	Screw 5/16-18 x 5/8
37	121749X	Washer 25/32 x 1-1/4 x 16 Ga.	126	166002	Washer SRRTD 5/16ID x 1.0 x .125
38	150035	Nyliner	127	177362	Link Control Clutch
39	74321016	Screw, Fin. #10-24 x 1	128	176624	Spring Drive GRND
40	178575	Actuator, Interlock Switch	129	179473	Bracket Asm Idler Tensioning
41	73931000	Nut Centerlock 10-24 Unc	130	19131016	Washer 13/32 x 5/8 x 16 Ga
42	8883R	Cover, Pedal	131	76020312	Pin Cotter 3/32 x 3/4
46	145170	Retainer, Spring	132	175467	Bracket Mtg Hydro 3500 LH VGT
48	72110614	Bolt, 3/8-16 x 1-3/4 Gr. 5	133	175468	Bracket Mtg Hydro 3500 RH VGT
50	131494	Pulley, Idler, Flat	135	177364	Link Asm Control Hydro 3500
52	127783	Pulley, Idler, Grooved	137	1685H	Nut Lock 5/16-18 NC Thd
55	105706X	Bearing, Idler	138	1370H	Washer Thrust 5/8 x 1.10 x 1/32
56	161597	V-Belt	142	175469	Strap Torque HG-3500
58	74760724	Bolt Fin Hex 7/16-14 x 1-1/2	143	17060512	Screw Thdrol 5/16-18 x 3/4
61	143995	Pulley, Transaxle	145	163168	Washer Axle Flange HG-3000
64	176601	Shaft, Clutch/Brake Pedal	146	140462	Fan 7" Hydro
65	179613	Bolt, Shoulder	147	141322	Washer
68	STD571812	Pin, Roll	148	74780720	Bolt Hex 7/16-14 x 1-1/4 Gr. 5
69	123800X	Washer	151	74760514	Bolt Fin Hex 5/16-18 x 7/8
70	179121X428	Console Automatic YT/GT	152	178705	Bolt hex 5/16-18 x 1
73	74490548	Bolt Hex Fighd 5/16-18 x 3 Gr. 5	153	4997H	Retainer Spring
74	142432	Screw Hex Wsh. Hi-Lo 1/4-1/2			
77	74780716	Bolt Fin Hex 7/16-14 x 1 Gr. 5			
89	73680700	Nut Crownlock 7/16-14 Unc			
94	133835	Fastener Christmas Tree			

NOTE: All component dimensions given in U.S. inches
1 inch = 25.4 mm

REPAIR PARTS

TRACTOR- -MODEL NO. 917.277400

STEERING ASSEMBLY



REPAIR PARTS

STEERING ASSEMBLY

TRACTOR- -MODEL NO. 917.277400

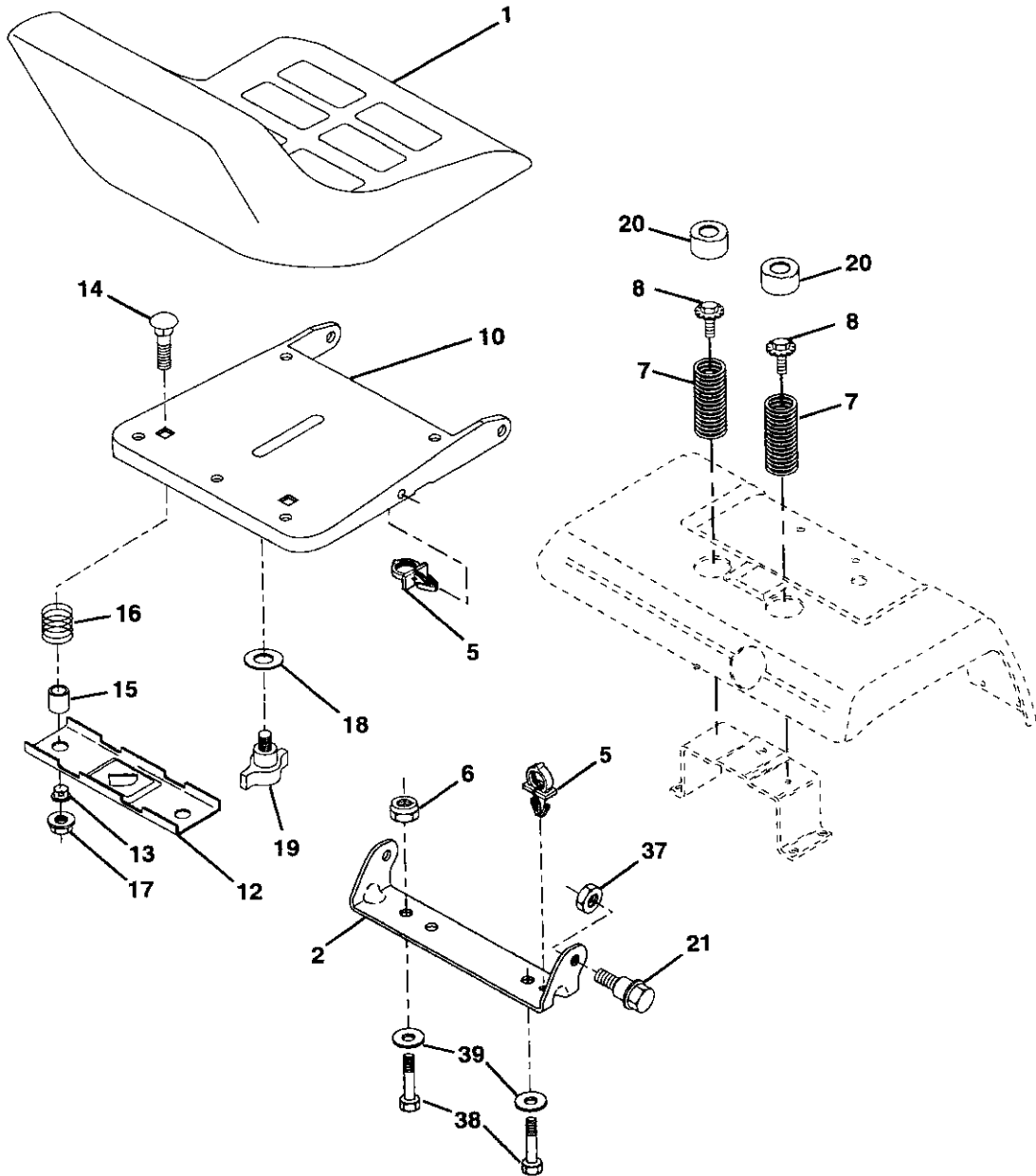
KEY NO.	PART NO.	DESCRIPTION
1	159944X428	Wheel, Steering
2	178557	Axle Asm., Front
3	6855M	Fitting, Grease
4	161849	Spindle Asm, LH
5	161848	Spindle Asm., RH
6	6266H	Bearing, Race Thrust Harden
7	121748X	Washer 25/32 x 1-5/8 x 16 Ga.
8	12000029	Ring, Klip #T5304-75
9	184946X505	Cap, Spindle
10	74781044	Bolt, Fin Hex 5/8-11 x 2-3/4
11	136518	Spacer Bearing Axle Front
12	73901000	Nut, Lock Flange 5/8-11 Unc
13	121749X	Washer 25/32 x 1-1/4 x 16 Ga.
14	STD551137	Washer, Lock Hvy Hlcl Spr 3/8
15	STD541537	Nut, Lock Center 3/8-24 UNF
16	145103	Shaft Asm., Steering
17	137347	Rod Asm., Tie Ball J Ball Vgt (Inc. Key No. 36-40)
18	175572	Draglink Vgt
19	156011	Support Asm., Steering Vgt
20	163887X428	Boot, Steering
21	159945	Adapter, Wheel Steering
22	155105	Bushing, Strg. Blk
23	152927	Screw
25	74780616	Bolt, Fin Hex 3/8-16 x 1 Gr. 5
26	159946X428	Cap, Wheel Steering
27	3366R	Bearing, Col. Strg.
28	17000612	Screw, 3/8-16 x 3/4
29	104239X	Bearing, Flange
31	138136	Bushing, Nyliner Snap
32	19111610	Washer 11/32 x 1 x 10 Ga.
33	STD551131	Washer, Lock Hvy Hlcl Spr 5/16
34	74780512	Bolt Fin Hex 5/16-18unc x 3/4
35	138059	Gear, Sector Steering
36	137156	Tie Rod
37	73360600	Jam Nut RH Thread
38	109850X	Joint Asm. Ball RH Thread
39	73700600	Jam Nut LH Thread
40	109851X	Joint Asm. Ball LH Thread
41	155246	Bracket Switch Interlock VGT 97
42	17490508	Screw Thdrol 5/16-18 x 1/2 Tyt
44	160135X428	Extension, Steering
45	19132411	Washer 13/32 x 1-1/20 x 11 Ga.
46	19131610	Washer Flat 13/32 x 1 x 10 Ga.
47	179471	Bracket Asm Idler Stationary
48	17060612	Screw 3/8-16 x .75
49	175820	Pulley Idler Flat
50	73900600	Nut Lock Flg 3/8-16 UNC

NOTE: All component dimensions given in U.S. inches.
1 inch = 25.4 mm.

REPAIR PARTS

TRACTOR- -MODEL NO. 917.277400

SEAT ASSEMBLY



KEY NO.	PART NO.	DESCRIPTION
1	180598	Seat
2	180166	Bracket, Pivot Seat
5	145006	Clip, Push In, Hinged
6	STD541437	Nut, Crownlock 3/8-16 Unc
7	124181X	Spring, Seat Cprsn
8	171877	Bolt 5/16-18Uncx3/4 w/Sems
10	180186	Pan, Seat
12	121246X	Bracket, Mounting Switch
13	121248X	Bushing, Snap
14	72050412	Bolt, Carriage 1/4-20 X 1-1/2
15	121249X	Spacer, Split

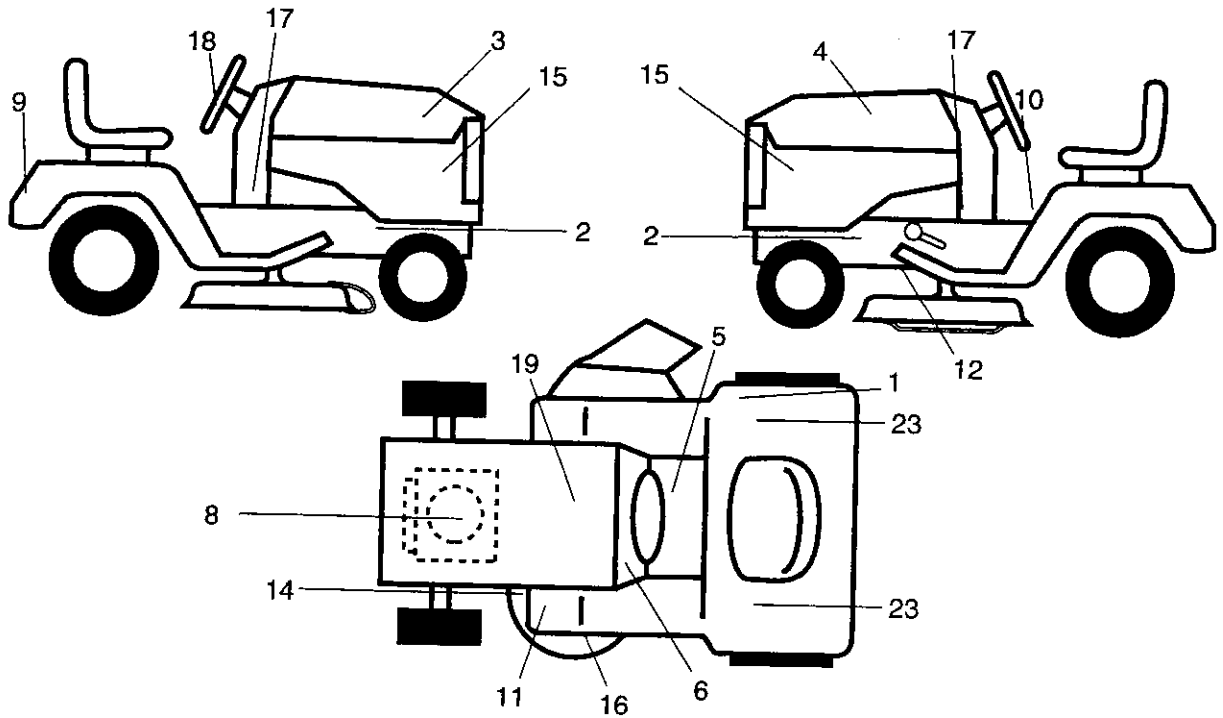
KEY NO.	PART NO.	DESCRIPTION
16	123740X	Spring, Cprsn
17	123976X	Nut, Lock 1/4 Lge Flg Gr. 5
18	19171912	Washer 17/32x1-3/16x12 Ga.
19	166369	Knob, Seat
20	124238X	Cap, Spring Seat
21	171852	Bolt, Shoulder 5/16-18
37	73800500	Nut, Lock Hx w/Ins. 5/16-18
38	71110616	Bolt Fin Hex 3/8-16unc x 1
39	19131610	Washer Flat 13/32 x 1 x 10 Ga.

NOTE: All component dimensions given in U.S. inches.
1 inch = 25.4 mm

REPAIR PARTS

TRACTOR- -MODEL NO. 917.277400

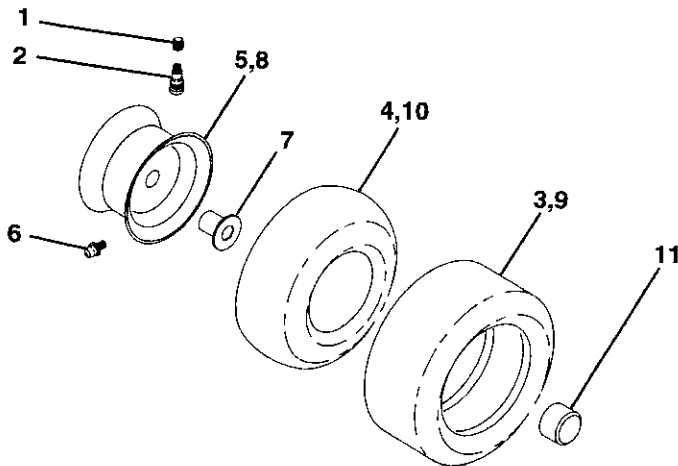
DECALS



KEY NO.	PART NO.	DESCRIPTION
1	180433	Decal Fender 105 DB/CE
2	159736	Decal Chassis Hot Muffler
3	186242	Decal Hood RH
4	186243	Decal Hood LH
5	140837	Decal Brake Parking Saddle
6	164487	Decal Dash
8	181572	Decal Engine
9	186282	Decal, Fender
10	145498	Decal Fender Danger
11	177873	Decal FTREST
12	177554	Decal V-Belt Dr Sch
14	175291	Decal V-Belt Schem

KEY NO.	PART NO.	DESCRIPTION
15	186725	Decal Hood Side Pnl
16	178482	Decal Deck HVYDTY
17	182136	Decal Dash Panel
18	164065	Decal Insert Strg
19	145005	Decal Battery
23	106202X	Reflector, Taillight
--	179768X428	Pad Footrest LH
--	166960	Decal Drawbar CNTRL
--	179769X428	Pad Footrest RH
--	162598	Decal Draw Bar Load Limit
--	187148	Owner's Manual, Euro
--	187149	Owner's Manual, Scan
--	187150	Parts Manual

WHEELS & TIRES



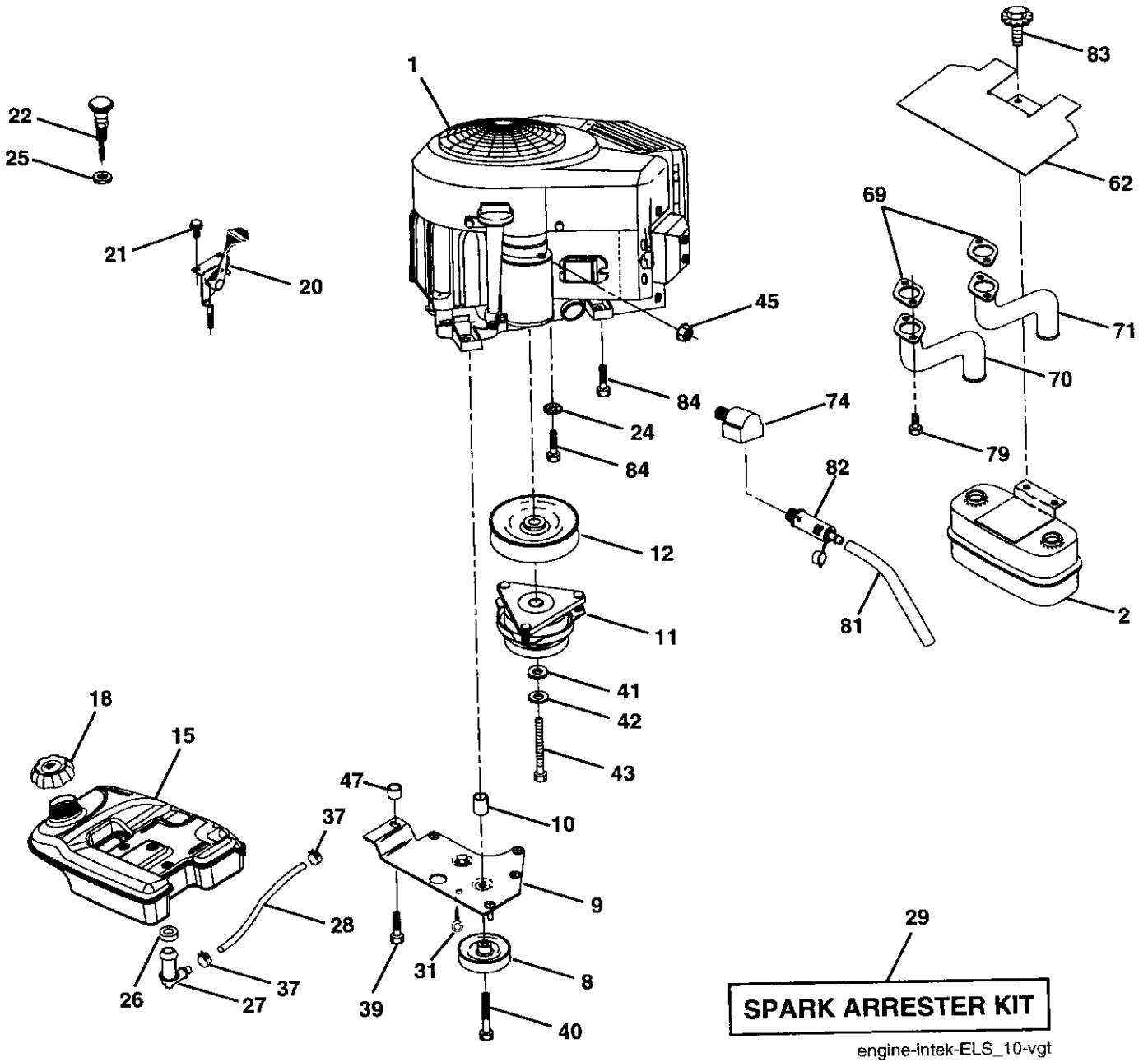
KEY NO.	PART NO.	DESCRIPTION
1	59192	Cap Valve Tire
2	65139	Stem Valve
3	106228X624	Rim Asm Front
4	8134H	Tube, Front (Service Item Only)
5	105588X	Tire, Front
6	278H	Fitting Grease (Front Wheel Only)
7	9040H	Bearing Flange(Front Wheel Only)
8	104757X428	Cap Axle (Front Wheel Only)
9	106230X	Tire Rear
10	7154J	Tube Rear (Service Item Only)
11	106277X624	Rim Asm Rear
12	6856M	Fitting Grease
--	144334	Sealant, Tire (10 oz. Tube)

NOTE: All component dimensions given in U.S. inches
1 inch = 25.4 mm

REPAIR PARTS

TRACTOR- -MODEL NO. 917.277400

ENGINE



REPAIR PARTS

TRACTOR- -MODEL NO. 917.277400

ENGINE

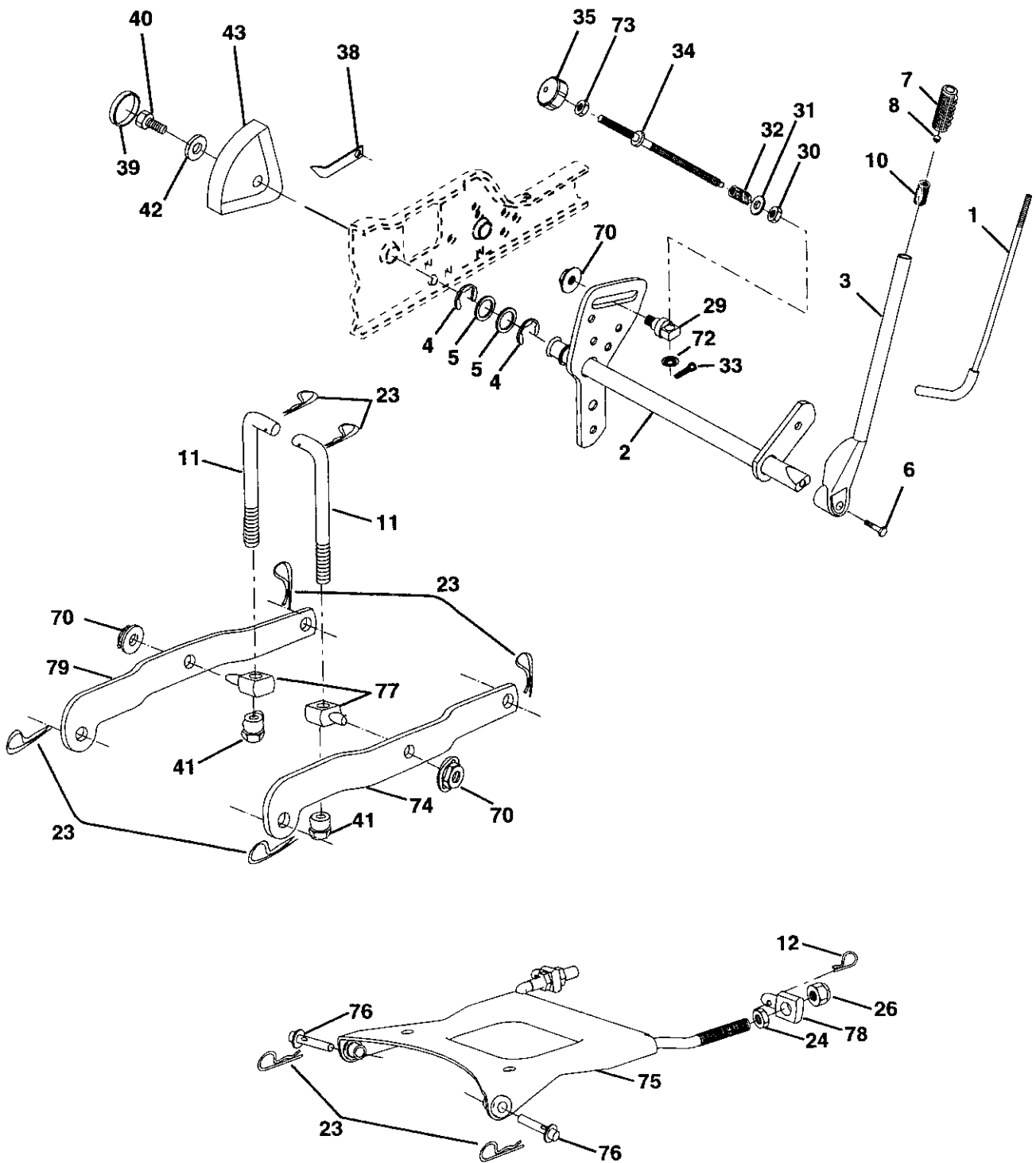
KEY NO.	PART NO.	DESCRIPTION
1	-----	Engine (See Breakdown) B&S Model No. 446777-0200-E1
2	149723	Muffler
8	121361X	Pulley V-Idler
9	177748	Keeper Asm. Belt Engine
10	175288	Bushing
11	179335	Clutch Electric
12	143996	Pulley Engine VGT Elect Clutch
15	179115	Tank Fuel Rear 5.0 Yt/Gt 96
18	179124X428	Cap Asm Fuel W/Gauge
20	175437X428	Control Throttle
21	171875	Screw hwhd Hi-Lo #13-16x3/4
22	175440X428	Control Choke
24	STD551237	Washer Ext Tooth 3/8
25	73920600	Nut Keps 3/8 - 24 UNF
26	3645J	Bushing
27	139277	Stem Tank Fuel
28	7834R	Fuel Line
29	137180	Spark Arrester Kit
31	145006	Clip
37	123487X	Clamp Hose
39	17490636	Screw TT 3/8-16 x 2-1/4 UNC
40	17490664	Screw TT 3/8-16 x 4 UNC
41	126197X	Washer 1-1/2 OD x15/32 ID x .250
42	STD551143	Washer Lock 7/16
43	179953	Bolt Hex 7/16 - 20 x 3.75 Gr. 5
45	73510400	Nut Keps Hex 1/4-20 Unc
47	175287	Spacer Engine
62	146629	Shield Heat Muffler
69	165391	Gasket
70	176069	Tube Exhaust LH
71	176070	Tube Exhaust RH
74	162295	Elbow Street Brass
79	183906	Screw Socket Head 5/16-18 x 1
81	148456	Tube Drain Oil Easy
82	181654	Plug Drain Oil Easy
83	171877	Bolt 5/16-18unc x 3/4
84	17060624	Screw 3/8-16 x 1-1/2

NOTE: All component dimensions given in U.S. inches
1 inch = 25.4 mm

REPAIR PARTS

TRACTOR- -MODEL NO. 917.277400

MOWER LIFT



REPAIR PARTS

MOWER LIFT

TRACTOR- -MODEL NO. 917.277400

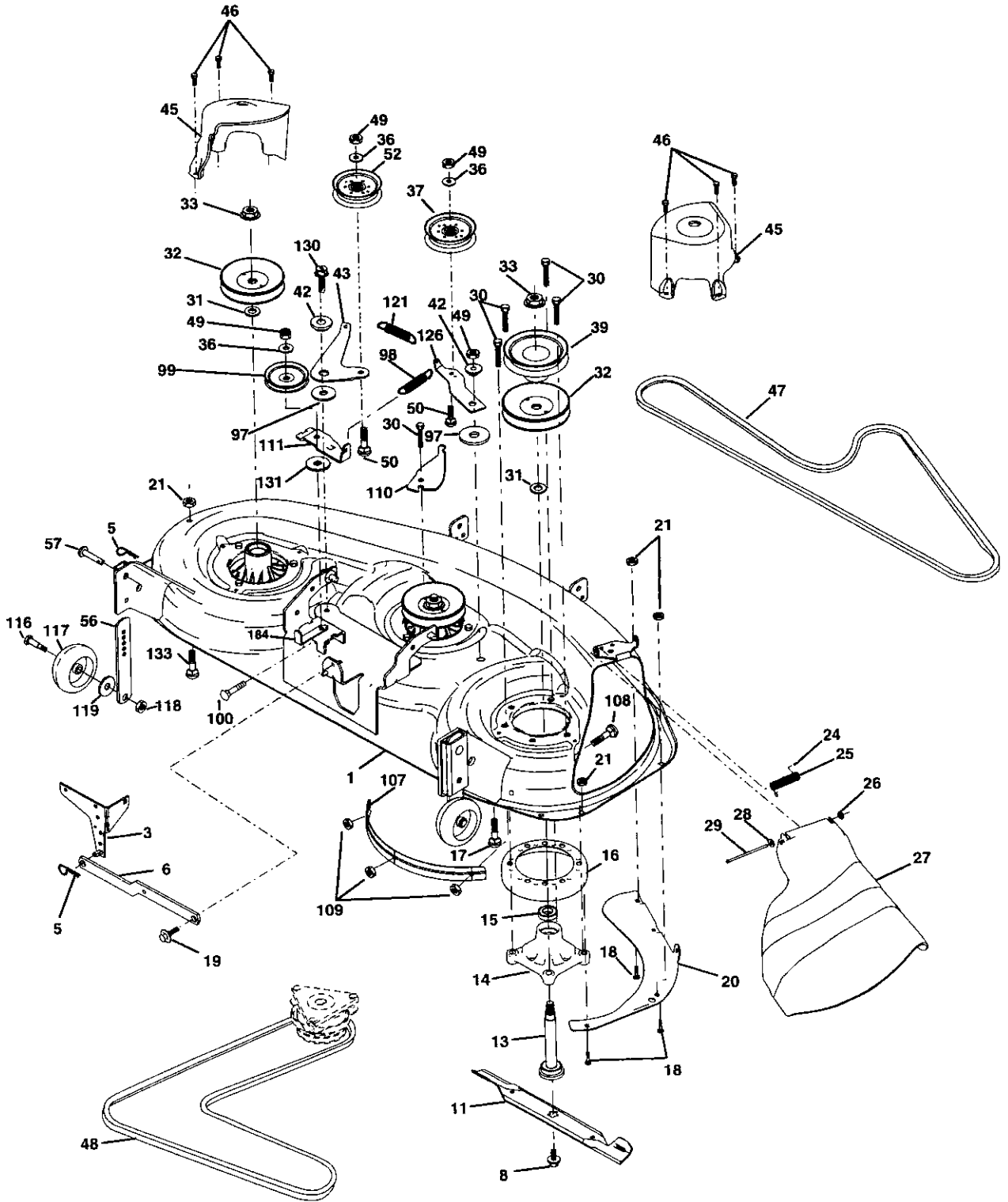
KEY NO.	PART NO.	DESCRIPTION
1	121006X	Rod Asm., Lever
2	180045	Shaft Asm., Lift Vgt
3	159189	Lever Asm., Lift Rh
4	12000022	E-Ring Truarc #5133-87
5	19292016	Washer 29/32 x 1-1/4 x 16 Ga.
6	71110624	Bolt, Fin Hex 3/8-16 x 1-1/2
7	175830	Grip, Handle Fluted
8	175831X505	Plunger, Button
10	183894	Spring
11	175375	Link Lift
12	163552	Retainer Spring
23	STD624008	Retainer, Spring
24	73350800	Nut, Jam Hex 1/2-13 Unc
26	73680800	Nut Crownlock 1/2-13 Unc
29	150233	Trunnion, Infin Height
30	110807X	Nut, Special
31	STD551037	Washer 13/32 x 5/8 x 16 Ga.
32	137150	Spring, Compression Inf Hgt
33	STD560907	Pin, Cotter 3/32 x 1/2
34	137167	Rod, Adj Lift
35	138057	Knob, Inf 3/8-16 Unc
38	155097	Pointer, Height Indicator
39	123935X	Plug, Hole
40	17060516	Screw Hex Wsh 5/16-18 x 1
41	175994	Nut, Lift Link 7/16-20
42	19112410	Washer 11/32 x 1-1/2 x 10 Ga.
43	123934X	Scale, Indicator Height
70	145212	Nut Hex Flange Lock
72	110452X	Nut Push Phos & Oil
73	73350600	Nut Hex Jam 3/8-16 UNC
74	175802	Arm Susp. Rear RH
75	175805	Plate Asm. Susp. Front
76	175560	Pin, Flange
77	176205	Trunnion Susp. Arm
78	175689	Trunnion Susp. Front
79	175378	Arm, susp. R LH

NOTE: All component dimensions given in U.S. inches
1 inch = 25.4 mm

REPAIR PARTS

TRACTOR- -MODEL NO. 917.277400

MOWER



REPAIR PARTS

TRACTOR- -MODEL NO. 917.277400

MOWER

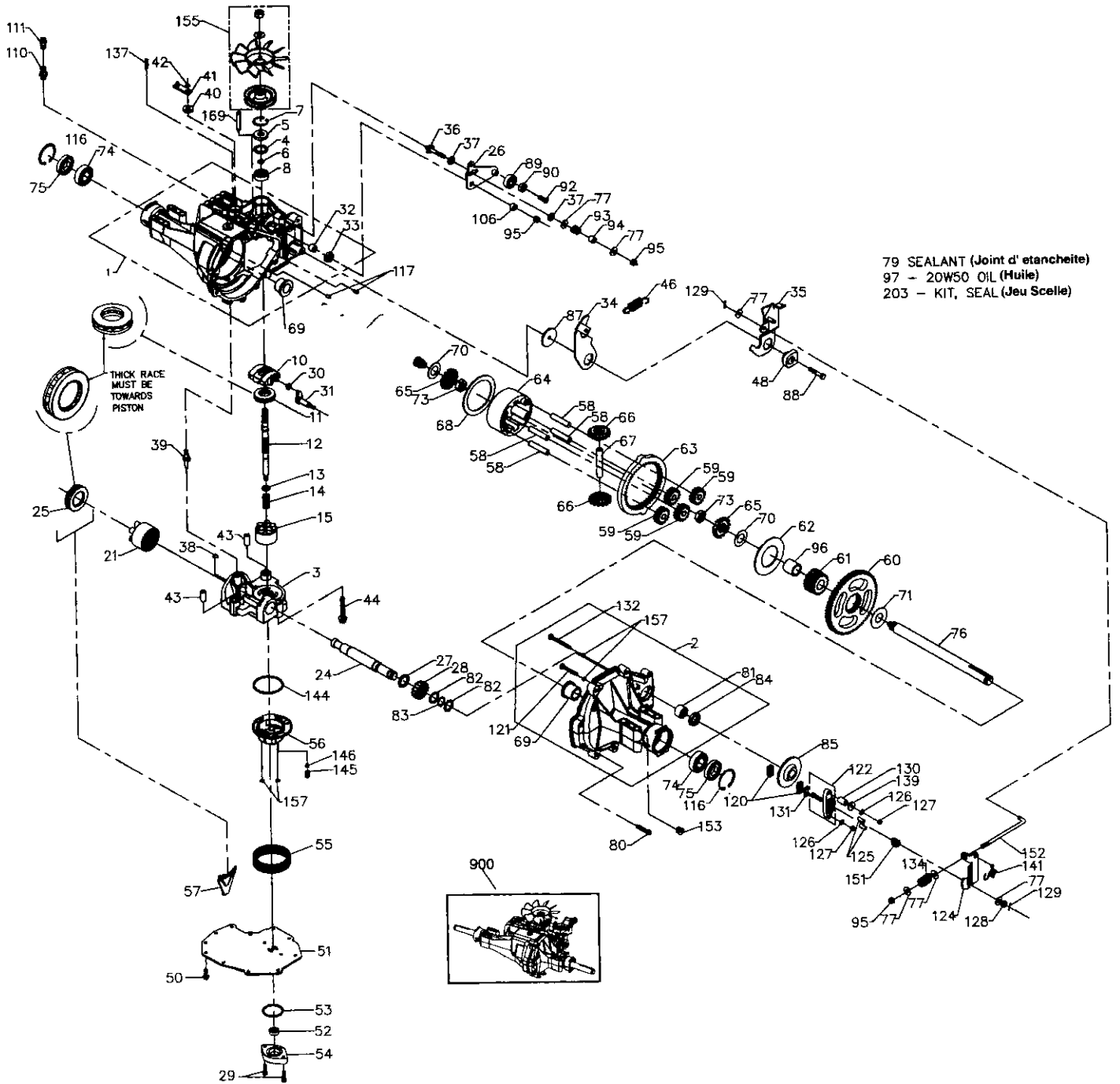
KEY NO.	PART NO.	DESCRIPTION	KEY NO.	PART NO.	DESCRIPTION
1	184952	Deck Weldment	43	174373	Arm, Idler Secondary
3	178915	Bracket Asm., Sway Bar	45	180806	Cover, Mandrel Deck
5	4939M	Retainer Spring	46	137729	Screw, Thdroll. 1/4-20 x 5/8
6	178024	Arm, Suspension, Rear (Sway Bar)	47	180808	V-Belt, Mower, Secondary
8	174365	Bolt 7/16 Asm. Blade	48	174368	V-Belt, Mower, Primary
11	180054	Blade, 48" Hi-lift	49	73680600	Nut, Crownlock 3/8-16 UNC
13	174360	Shaft Asm. w/Lower Bearing	50	72110612	Bolt, Carr. 3/8-16 x 1-1/2 Gr. 5
14	174358	Housing Mandrel	52	175820	Pulley Idler Flat
15	110485X	Bearing, Ball, Mandrel	56	155986	Bar Pnt Adj.
16	174493	Stripper Mandrel Deck	57	156941	Pin Head Rivet
17	72110610	Bolt RDHD Sq Neck 3/8-16 x 1.25	97	178515	Washer Hardened
18	72140505	Bolt, Carriage 5/16-18 x 5/8	98	179479	Spring Primary Drive
19	132827	Bolt, Hex Hd, Shoulder 5/16-18	99	184058	Pulley Idler"V"
20	174378	Baffle, Vortex Mower	100	72110616	Bolt RDHD Sqnc 3/8-16 UNC x 2
21	73680500	Nut, Crownlock 5/16-18 UNC	110	175016	Arm Spring Secondary
24	105304X	Cap, Sleeve	111	174610	Arm Spring Fixed Tension
25	178102	Spring, Torsion	116	184219	Bolt, Shoulder
26	110452X	Nut, Push	117	174873	Gauge Wheel
27	180655X428	Deflector Shield	118	73930600	Nut, Centerlock 3/8-16 UNC
28	19111016	Washer 11/32 x 5/8 x 16 Ga.	119	19121414	Washer 3/8 x 7/8 x 14 Ga.
29	131491	Rod, Hinge	121	174371	Spring Secondary Drive
30	173984	Screw, Thdroll	126	174372	Arm, Idler, Primary Deck
31	129963	Washer, Spacer Mower Vented	130	17000616	Screw 3/8-16 x 1.0.Blk
32	177865	Pulley, Mandrel	131	19131606	Washer 13/32 x 1/4 x 16 Ga.
33	178342	Nut, Flg. Top Lock Cntr. 9/16	133	72110506	Bolt 5/16-18 x 3/4
36	19131316	Washer 13/32 x 13/16 x 16 Ga.	184	173979	Keeper Belt Idler
37	177968	Pulley, Idler, 48" Primary	--	186353	Replacement Mower, Complete
39	174375	Pulley, Idler, Driven	--	174357	Mandrel Asm. Service (Includes Key Nos. 13-15)
42	165723	Spacer, Retainer			

NOTE: All component dimensions given in U.S. inches
1 inch = 25.4 mm

REPAIR PARTS

TRACTOR- -MODEL NO. 917.277400

TRANSAXLE - - MODEL NUMBER 331-3000



REPAIR PARTS

TRACTOR- -MODEL NO. 917.277400

TRANSAXLE - - MODEL NUMBER 331-3000

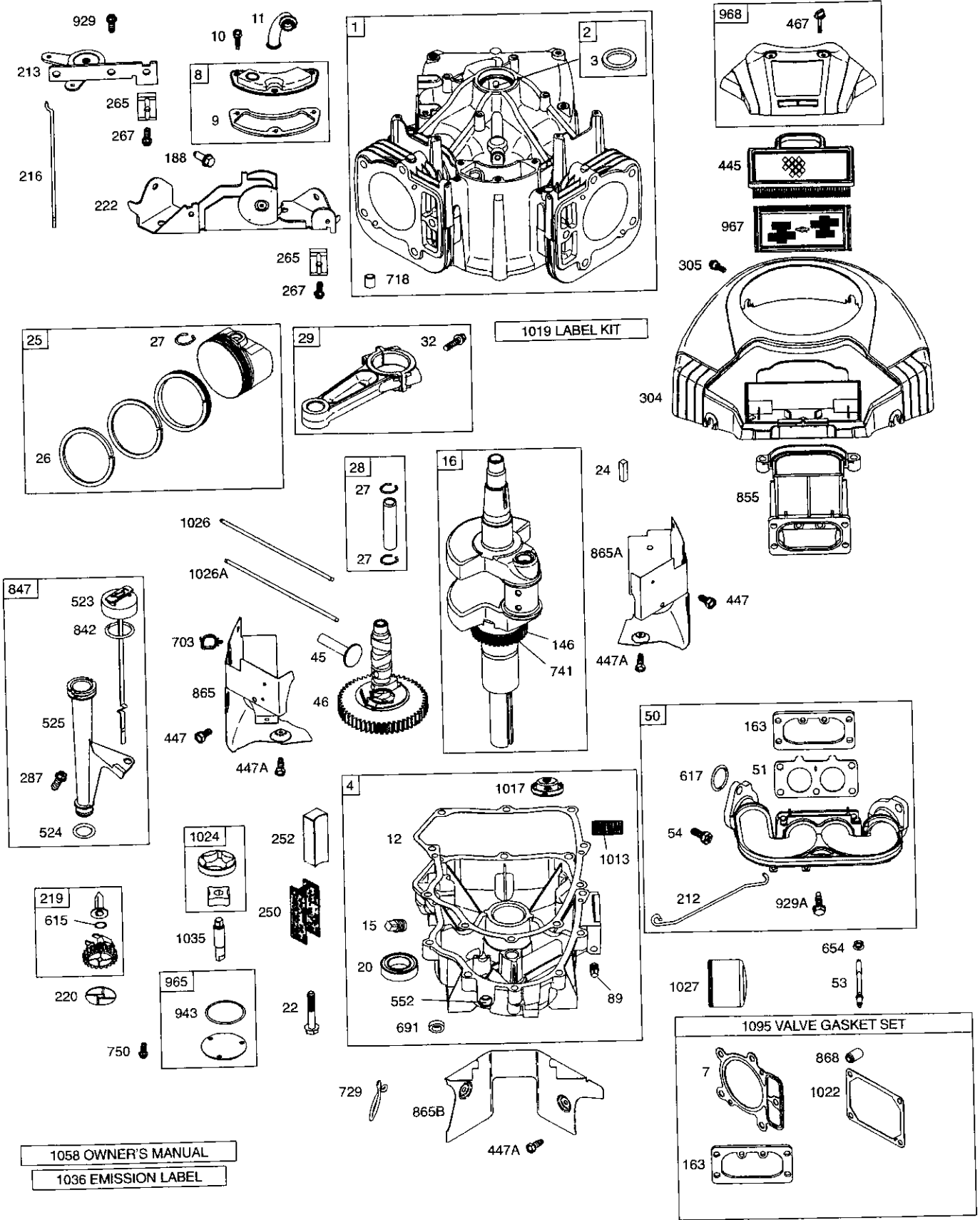
Key No.	Part No.	Description	KEY NO.	PART NO.	DESCRIPTION
1	161122	Main Housing Assembly	74	169535	Ball Brg 6205-1
2	178317	R.H. Housing Assembly	75	161157	Seal 1"Id X 2.0472" X 0.375"
3	169522	Center Section Assembly	76	161153	Shaft, Axle
4	161125	Spacer	77	142884	Washer
5	142932	Seal-Lip	79	178322	Gasket Material
6	142928	Wire Retaining Ring	80	161159	Torx Head Screw, 5/16-18
7	142933	Retaining Ring	81	161160	Needle Bearing (Sce1412)
8	142934	Ball Bearing	82	161161	Washer2
9	169523	Cradle Bearing	83	161162	Retaining Ring
10	169524	Variable Swashplate	84	161163	Lip Seal (0.875i.D.X1.3o.D.X0.25
11	150771	Thrust Bearing 30 X 52 X 13	85	161164	Brake Disk
12	161126	Input Shaft	87	178323	Washer
13	142978	Block Thrust Washer	88	178324	Screw 5/16-24
14	142977	Arm - Trunnion	89	178325	Bearing
15	196050	10cc Cylinder Block Assembly	90	178326	Spacer
21	169525	21cc Cylinder Block Assembly	91	169536	Oring, 0.070 X 0.239
24	161127	Output (Motor) Shaft	92	178327	Screw
25	169526	Thrust Bearing 42 X 68 X 16	93	142969	Spring, Friction Pack
26	161128	Control Arm	94	142980	Spacer, Friction Pack
27	161129	Spacer	95	169537	Hex Lock Nut 5/16-24
28	161130	16t Pinion Gear	96	169538	Sleeve Bearing
29	169527	Capscrew, M6 X 1-22	97	150798	Oil
30	142941	Slot Guide	106	161166	Spacer, Trunnion
31	161132	Trunnion Arm	108	178328	Plug
32	161133	Trunnion Bushing	110	142918	Fitting-O Ring Ass'y
33	142940	Lip Seal	111	142917	Cap Vent Ass'y
34	178318	Arm Return	116	169539	Retaining Ring
35	178319	Arm Actuating	117	161168	Std Hdls Pin
36	169528	5/16-24 Stud	120	142883	Puck, Brake
37	142967	Puck, Friction	121	169540	Rib Neck Bolt, 2"
38	150787	Bypass Plate	122	178329	Brake Yoke
39	169529	Bypass Actuator	124	178330	Arm, Brake
40	142945	Lip Seal	125	142887	Pins, Brake
41	142952	Bypass Arm	126	161172	Lockwasher, 1/4"
42	142953	Retaining Ring	127	161173	Nut, 1/4-20
43	142965	Pin	128	142885	Nut, Castle
44	150797	Screw	129	142886	Cotter Pin
48	178320	Puck	130	161174	Spacer
50	178343	Screw-Self Tapping	131	142882	Puck Plate
51	169530	Lower Cover	132	169544	Rib Neck Bolt, 3" 1
52	169531	Gerotor Assembly	134	178331	Spring
53	144581	O-Ring	136	178332	Spring Extension
54	161139	Gerotor Cover	137	178333	Pin Spring
55	178321	Filter	138	178334	Bolt Self Tapping
56	169533	Charge Manifold	139	161176	Washer, 7/8od X 0.265id X 0.125
57	161142	Retainer, Motor Bearing			Thk
58	161143	Pin, Carrier	141	178335	Spring Brake
59	161144	15t Planet Gear	144	169545	O Ring, 2.864 Id X 0.070 Thk
60	161145	7t Spur Gear	145	169546	Spring, Relief
61	161146	21t Sun Gear	146	169547	Ball, 7/16
62	161147	Planet Thrust Plate	151	161181	Comp. Spring, Brake Anti-Drag
63	161148	51t Ring Gear	152	178336	Brake Pull Rod
64	161149	Planetary Carrier	153	142914	Plug, Straight Thread
65	161150	Miter Gear, Diff. (Splined)	155	178337	Kit Fan
66	161151	Miter Gear, Diff.	157	169548	Screw O-Ring
67	161152	Shaft, Differential	180	169549	Manifold Kit
68	161153	Diff. Thrust Plate	203	178338	Kit Seal
69	169534	Flange Bearing	900	166773	Transaxle, complete
70	161154	Washer			
71	161155	Washer			
73	161156	Hex Jam Nut, 5/8-18			

NOTE: All component dimensions given in U.S. inches
1 inch = 25.4 mm

REPAIR PARTS

TRACTOR- -MODEL NO. 917.277400

BRIGGS & STRATON ENGINE - - MODEL NUMBER 446777, TYPE NUMBER 0200-E1

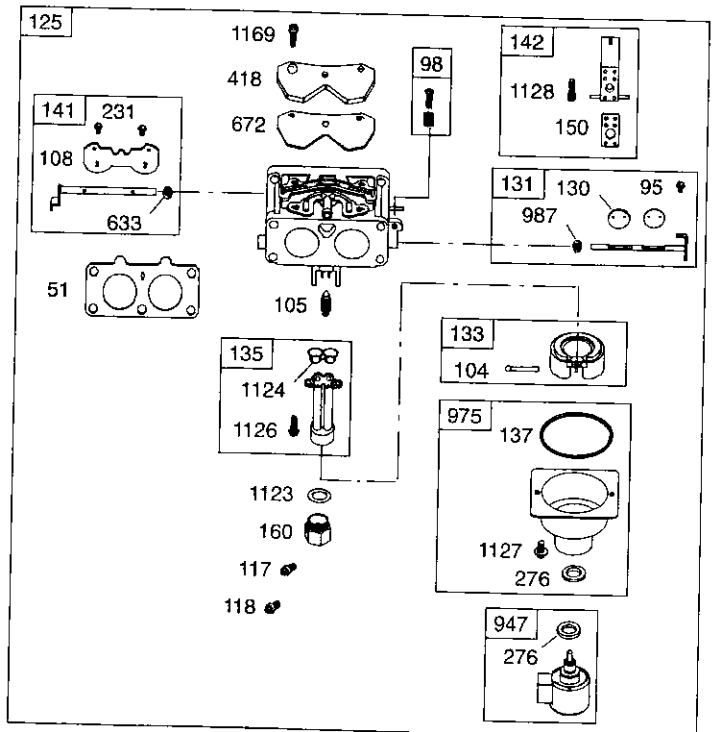
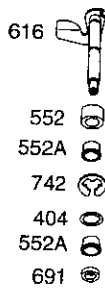
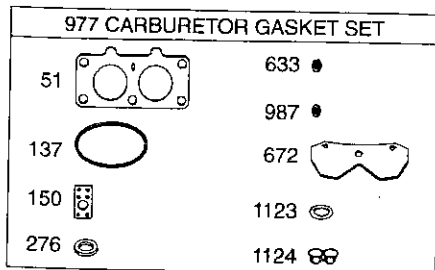
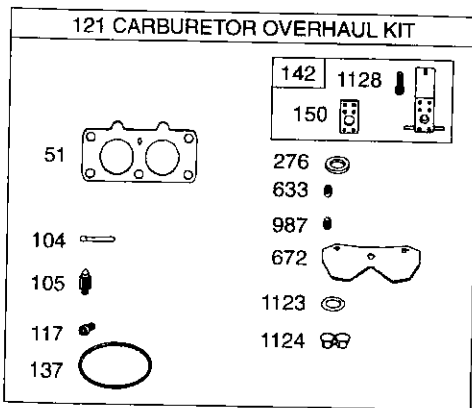
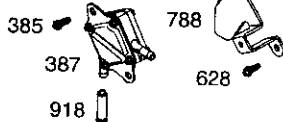
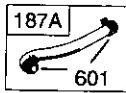
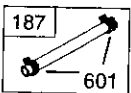
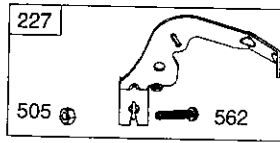
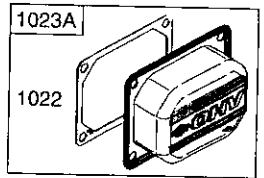
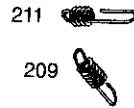
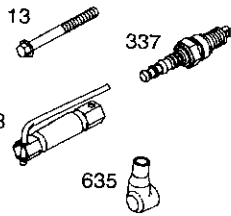
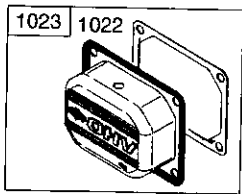
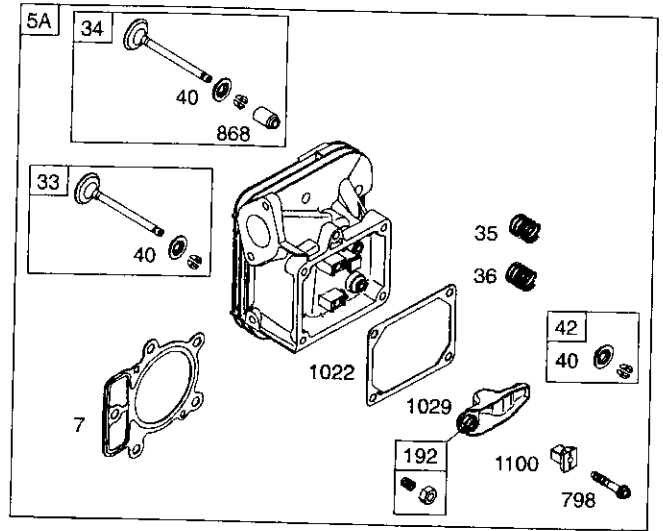
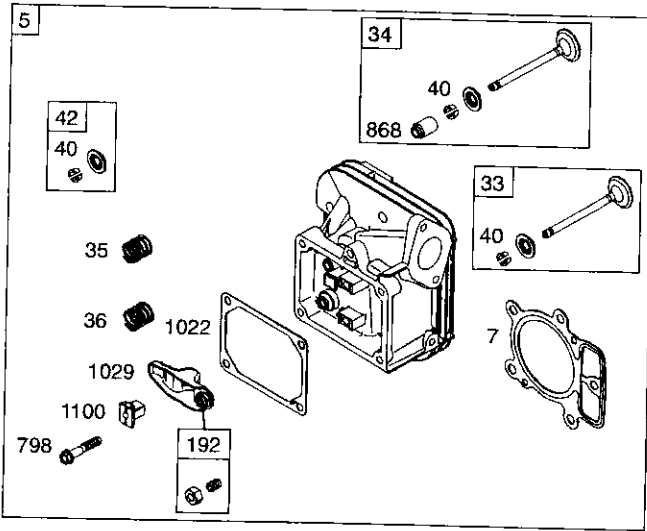


1058 OWNER'S MANUAL
1036 EMISSION LABEL

REPAIR PARTS

TRACTOR- -MODEL NO. 917.277400

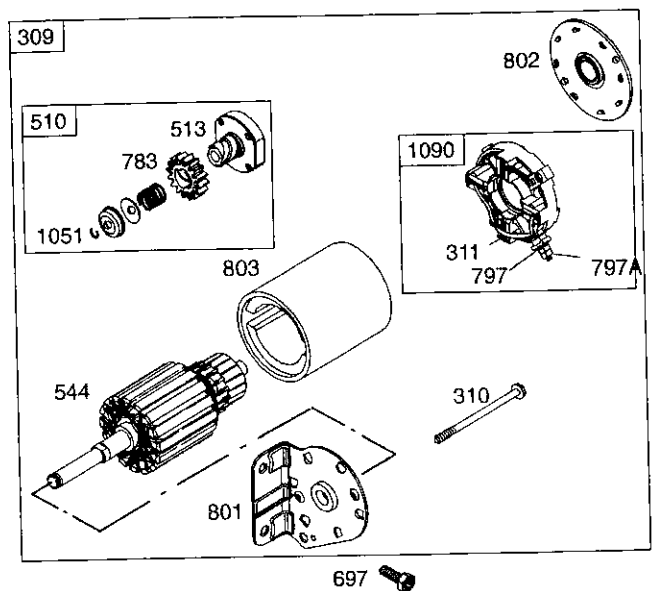
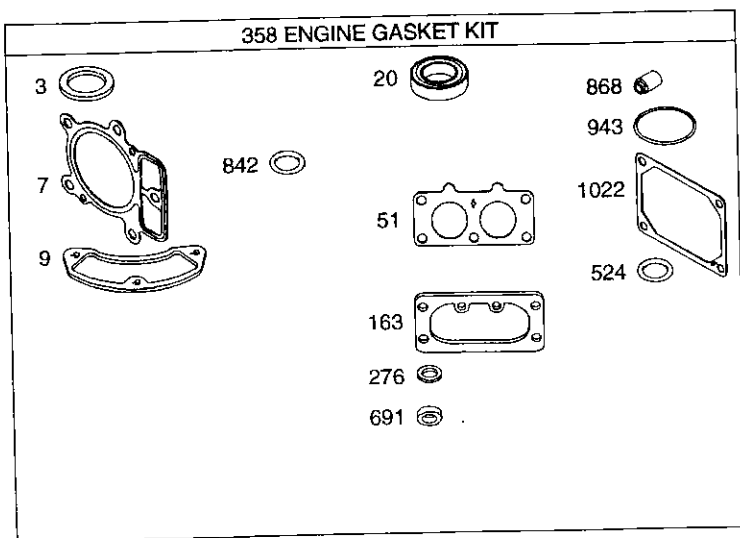
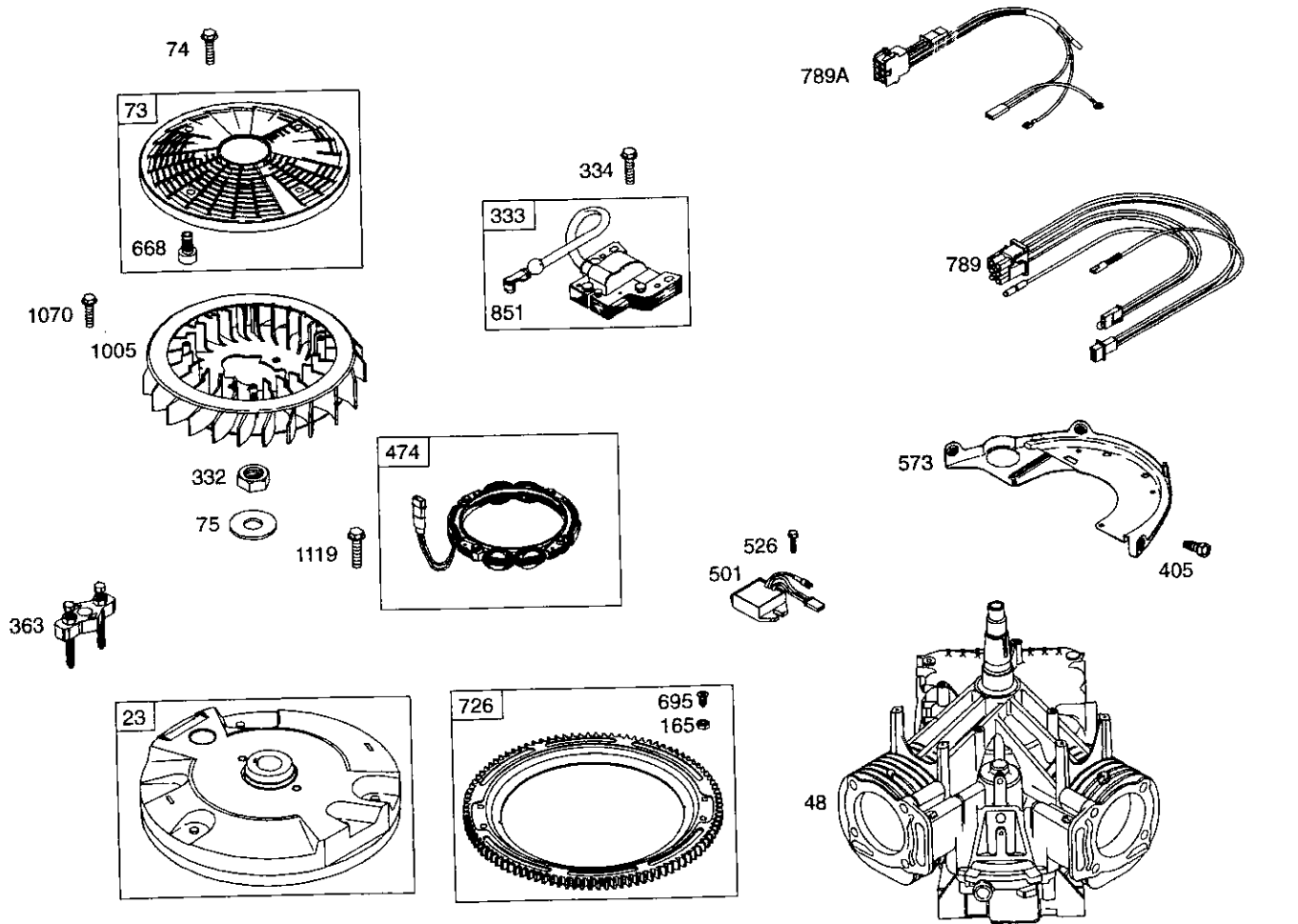
BRIGGS & STRATON ENGINE - - MODEL NUMBER 446777, TYPE NUMBER 0200-E1



REPAIR PARTS

TRACTOR- -MODEL NO. 917.277400

BRIGGS & STRATON ENGINE - - MODEL NUMBER 446777, TYPE NUMBER 0200-E1



REPAIR PARTS

TRACTOR- -MODEL NO. 917.277400

BRIGGS & STRATON ENGINE - - MODEL NUMBER 446777, TYPE NUMBER 0200-E1

KEY NO.	PART NO.	DESCRIPTION	KEY NO.	PART NO.	DESCRIPTION
1	694001	Cylinder Assembly	130	690993	Valve-Throttle
2	499585	Kit-Bushing/Seal (Magneto Side)	131	499805	Kit-Throttle Shaft
3	391086	• Seal-Oil (Magneto Side)	133	499806	Float-Carburetor
4	690069	Sump-Engine	135	499803	Tube-Fuel Transfer
5	697580	Head-Cylinder (Cylinder 1)	137	690994	Ø‡ Gasket-Float Bowl
5A	697581	Head-Cylinder (Cylinder 2)	141	499807	Kit-Choke Shaft
7	693997	•+ Gasket-Cylinder Head	142	499808	Ø Nozzle-Carburetor
8	499601	Breather Assembly	146	690979	Key-Timing
9	690937	• Gasket-Breather	150	690995	Ø‡ Gasket-Nozzle
10	690960	Screw (Breather Assembly)	160	690996	Retainer-Solenoid
11	690942	Tube-Breather	163	691001	•+ Gasket-Air Cleaner
12	697227	Gasket-Crankcase	165	693148	Nut (Ring Gear)
13	690360	Screw (Cylinder Head)	187	691050	Line-Fuel (Cut to Required Length)
15	690946	Plug-Oil Drain	187A	697712	Line-Fuel (Molded)
16	691047	Crankshaft	188	690960	Screw (Control Bracket)
20	690947	• Seal-Oil (PTO Side)	192	690083	Adjuster-Rocker Arm
22	694966	Screw (Engine Sump)	209	697674	Spring-Governor
23	691053	Flywheel	211	691019	Spring-Governed Idle
24	222698	Key-Flywheel	212	695238	Link-Throttle
25	697679	Piston Assembly (Standard)	213	691021	Bracket-Choke Control
25	697680	Piston Assembly (.010" Oversize)	216	691022	Link-Choke
25	697681	Piston Assembly (.020" Oversize)	219	696376	Gear-Governor
25	697682	Piston Assembly (.030" Oversize)	220	690412	Washer (Governor Lever)
26	697683	Ring Set (Standard)	222	697678	Bracket-Control
26	697684	Ring Set (.010" Oversize)	227	691048	Lever-Governor Control
26	697685	Ring Set (.020" Oversize)	231	690718	Screw (Choke Valve)
26	697686	Ring Set (.030" Oversize)	240	695666	Filter-Fuel
27	690975	Lock-Piston Pin	250	690957	Retainer-Breather
28	690229	Pin-Piston	252	690956	Collector-Oil
29	499583	Rod-Connecting	265	691024	Clamp-Casing
32	690976	Screw (Connecting Rod)	267	695134	Screw (Casing Clamp)
33	697576	Valve-Exhaust	276	690997	•Ø‡ Washer-Sealing
34	499597	Valve-Intake	287	690960	Screw (Dipstick Tube)
35	690963	Spring-Valve (Intake)	304	695277	Housing-Blower
36	690963	Spring-Valve (Exhaust)	305	691005	Screw (Blower Housing)
40	690964	Retainer-Valve	309	691262	Motor-Starter
42	499586	Keeper-Valve	310	691263	Bolt-Starter Motor
45	690977	Tappet-Valve	311	497608	Brush Set
46	690978	Camshaft	332	691059	Nut (Flywheel)
48	N.A.	Short Block (446777-0026-E2 Replacement Engine)	333	691060	Armature-Magneto
50	695241	Manifold-Intake	334	691061	Screw (Magneto Armature)
51	690950	•Ø‡ Gasket-Intake	337	691043	Spark Plug
53	690951	Stud (Carburetor)	358	694012	Set-Engine Gasket
54	695240	Screw (Intake Manifold)	363	691062	Flywheel Puller
73	691055	Screen-Rotating	383	690966	Wrench-Spark Plug
74	691057	Screw (Rotating Screen)	385	690960	Screw (Fuel Pump)
75	691056	Washer (Flywheel)	387	808656	Pump-Fuel
89	690283	Plug-Oil	404	690442	Washer (Governor Crank)
95	690718	Screw (Throttle Valve)			RPM Settings: Low Speed: 1900-2100
98	499802	Kit-Idle Speed			High Speed: 3000-3200
104	690984	Ø Pin-Float Hinge			
105	690985	Ø Valve-Float Needle			
108	690986	Valve-Choke			
117	690232	Ø Jet-Main (Standard)			
118	690989	Jet-Main (High Altitude)			
121	499811	Kit-Carburetor Overhaul			
125	499804	Carburetor			

- Included in Engine Gasket Set, Key. No. 358
- Ø Included in Carburetor Overhaul Kit, Key. No. 121
- ‡ Included in Carburetor Gasket Set, Key. No. 977
- + Included in Valve Gasket Set, Key. No. 1095

NOTE: All component dimensions given in U.S. inches 1 inch = 25.4 mm

REPAIR PARTS

TRACTOR--MODEL NO. 917.277400

BRIGGS & STRATON ENGINE -- MODEL NUMBER 446777, TYPE NUMBER 0200-E1

KEY NO.	PART NO.	DESCRIPTION	KEY NO.	PART NO.	DESCRIPTION
405	690960	Screw (Back Plate)	851	493880	Terminal-Sparkplug
418	690999	Plate-Carburetor	855	691011	Adapter-Air
445	695667	Filter-Air Cleaner Cartridge	865	691012	Cover-Air Guide
447	691003	Screw (Air Guide Cover)	865A	691014	Cover-Air Guide
447A	690960	Screw (Air Guide Cover)	865B	691015	Cover-Air Guide
467	691008	Knob-Air Cleaner	868	690968	*+ Seal-Valve
474	696458	Alternator	914	691127	Screw (Rocker Cover)
501	691185	Regulator	918	694000	Hose-Vacuum
505	691029	Nut (Governor Control Lever)	929	695239	Screw (Choke Control Bracket)
510	497606	Drive-Starter	929A	691003	Screw (Choke Control Bracket)
513	692024	Clutch-Drive	943	690589	• Seal-O Ring (Oil Pump Cover)
523	691036	Dipstick	947	499809	Solenoid-Fuel
524	691032	• Seal-O Ring (Dipstick Tube)	965	499613	Cover-Oil Pump
525	691037	Tube-Dipstick	967	273638	Filter-Pre Cleaner
526	690960	Screw (Regulator)	968	499788	Cover-Air Cleaner
544		Armature-Starter	975	499810	Bowl-Float
		(Service with 691262 Starter Motor)	977	499812	Gasket Set-Carburetor
552	690552	Bushing-Governor Crank	987	691000	Ø‡ Seal-Throttle Shaft
552A	690553	Bushing-Governor Crank	1005	499603	Fan-Flywheel
562	690311	Bolt (Governor Control Lever)	1013	690954	Nipple-Oil Filter
573	691009	Plate-Back	1017	690770	Screen-Oil Pump
601	691038	Clamp-Hose	1019	690103	Kit-Label
615	690317	Retainer-Governor Shaft	1022	690971	*+ Gasket-Rocker Cover
616	691045	Crank-Governor	1023	499599	Cover-Rocker (Cylinder 1)
617	691917	Seal-O Ring (Intake Manifold)	1023A	499600	Cover-Rocker (Cylinder 2)
628	690960	Screw (Fuel Pump Bracket)	1024	499054	Pump-Oil
633	690998	Ø‡ Seal-Choke/Throttle Shaft	1026	690981	Rod-Push (Steel)
635	66538	Boot-Sparkplug	1026A	690982	Rod-Push (Aluminum)
654	690958	Nut (Carburetor)	1027	696854	Filter-Oil
668	691215	Spacer	1029	690972	Arm-Rocker
672	690234	Ø‡ Gasket-Carburetor Plate	1035	691042	Shaft-Pump
691	690657	• Seal-Governor Shaft	1036	695704	Label-Emission
695	693149	Screw (Ring Gear)	1051	691265	Ring-Retaining
697	690372	Screw (Drive Cap)	1058	274794	Owner's Manual
703	691010	Clip	1070	691058	Screw (Flywheel Fan)
718	690959	Pin-Locating	1090	691293	Retainer-Brush
726	499612	Gear-Ring	1095	694013	Gasket Set-Valve
729	694123	Clip-Wire	1100	690973	Pivot-Rocker Arm
741	690980	Gear-Timing	1119	691183	Screw (Alternator)
742	690328	Retainer-E Ring	1123	690987	Ø‡ Seal-O Ring (Solenoid Retainer)
750	696999	Screw (Oil Pump Cover)	1124	690988	‡ Seal-O Ring (Fuel Transfer Tube)
783	693058	Gear-Pinion	1126	690991	Screw (Fuel Transfer Tube)
788	691039	Bracket-Fuel Pump	1127	690992	Screw (Float Bowl)
789	695050	Harness-Wiring	1128	690990	Ø Screw (Carburetor Nozzle)
789A	696576	Harness-Wiring	1169	693140	Screw (Carburetor Cover Plate)
797	691029	Nut (Brush Retainer)			RPM Settings: Low Speed: 1900-2100 High Speed: 3000-3200
797A	693167	Nut (Brush Retainer)			
798	690967	Screw (Rocker Arm)			
801	691283	Cap-Drive			
802	691286	Cap-End			
803		Housing-Starter (Service with 691262 Starter Motor)			
842	691031	• Seal-O Ring (Dipstick Tube)			
847	499602	Dipstick/Tube Assembly			

- Included in Engine Gasket Set, Key. No. 358
- Ø Included in Carburetor Overhaul Kit, Key. No. 121
- ‡ Included in Carburetor Gasket Set, Key. No. 977
- + Included in Valve Gasket Set, Key. No. 1095

NOTE: All component dimensions given in U.S. inches 1 inch = 25.4 mm