

**REPAIR PARTS MANUAL**  
**MODEL NO. 277430**  
**Lawn Tractor**

*210HK 66 42" 2004*

---

**CRAFTSMAN®**

# HOW TO USE THIS MANUAL

This manual is designed to provide the customer with a means to identify the parts on his/her tractor when ordering repair parts. The illustrations may or may not represent the actual assemblies; therefore, it is not recommended to use this manual as a guide to assemble or disassemble the tractor. Some hardware and parts are drawn larger in order to more readily identify them.

Each tractor has its own model number.

The model number for your tractor can be found on the fender under the seat.

When ordering parts, always give the following information:

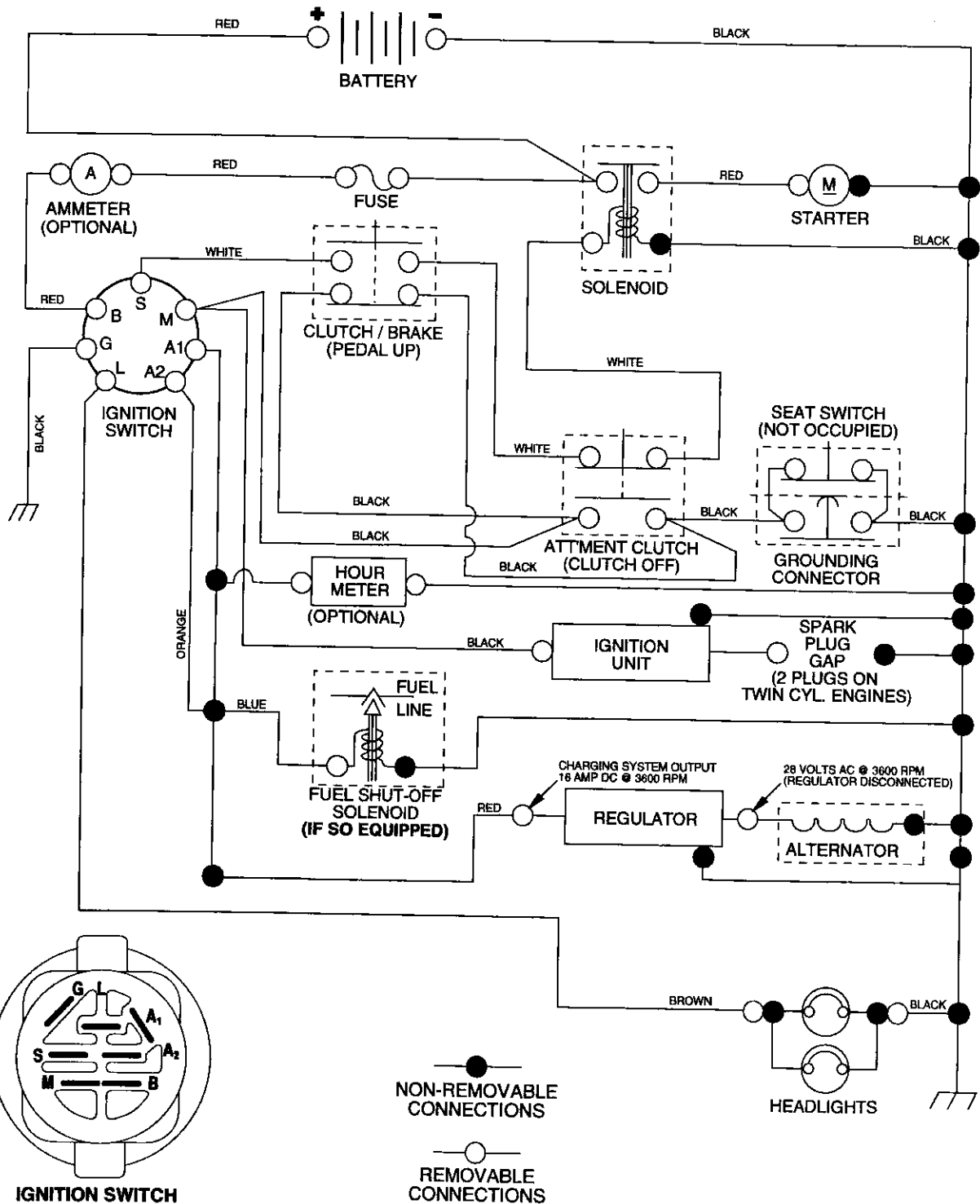
- Product - "Tractor"
- Model Number - "277430"
- Part Number
- Part Description

## TABLE OF CONTENTS

<b>SCHEMATIC .....</b>	<b>3</b>
<b>ELECTRICAL.....</b>	<b>4-5</b>
<b>CHASSIS.....</b>	<b>6-7</b>
<b>DRIVE.....</b>	<b>8-9</b>
<b>STEERING .....</b>	<b>10-11</b>
<b>SEAT .....</b>	<b>12</b>
<b>DECALS.....</b>	<b>13</b>
<b>ENGINE.....</b>	<b>14-15</b>
<b>MOWER LIFT .....</b>	<b>16-17</b>
<b>MOWER DECK .....</b>	<b>18-19</b>
<b>TRANSAXLE.....</b>	<b>20-21</b>
<b>ENGINE BREAKDOWN.....</b>	<b>22-26</b>
<b>WARRANTY .....</b>	<b>27</b>

**SCHEMATIC**

**TRACTOR- -MODEL NO. 917. 277430**



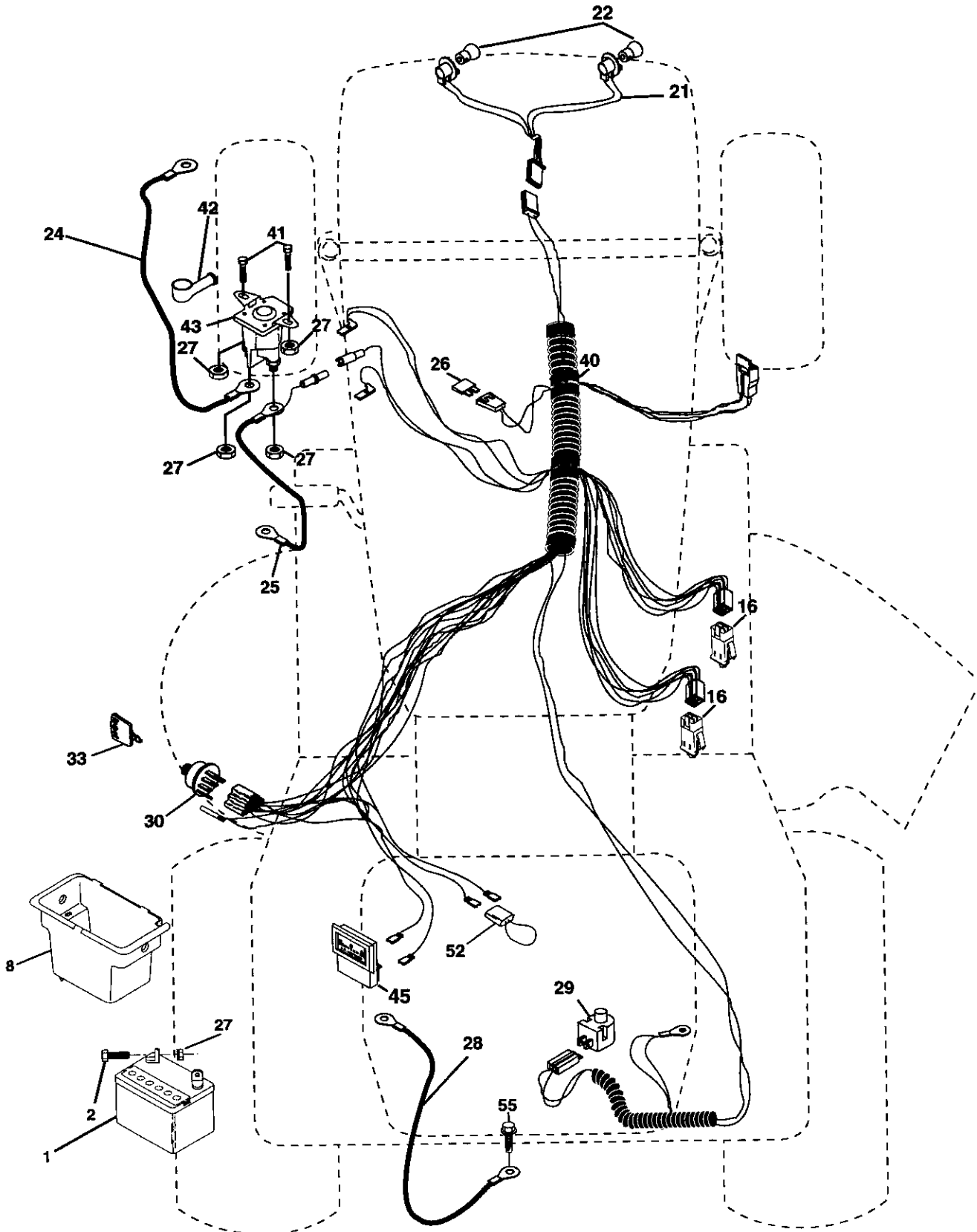
**WIRING INSULATED CLIPS**

**NOTE: IF WIRING INSULATED CLIPS WERE REMOVED FOR SERVICING OF UNIT, THEY SHOULD BE REPLACED TO PROPERLY SECURE YOUR WIRING.**

# REPAIR PARTS

TRACTOR- -MODEL NO. 917. 277430

## ELECTRICAL



# REPAIR PARTS

## TRACTOR- -MODEL NO. 917. 277430

### ELECTRICAL

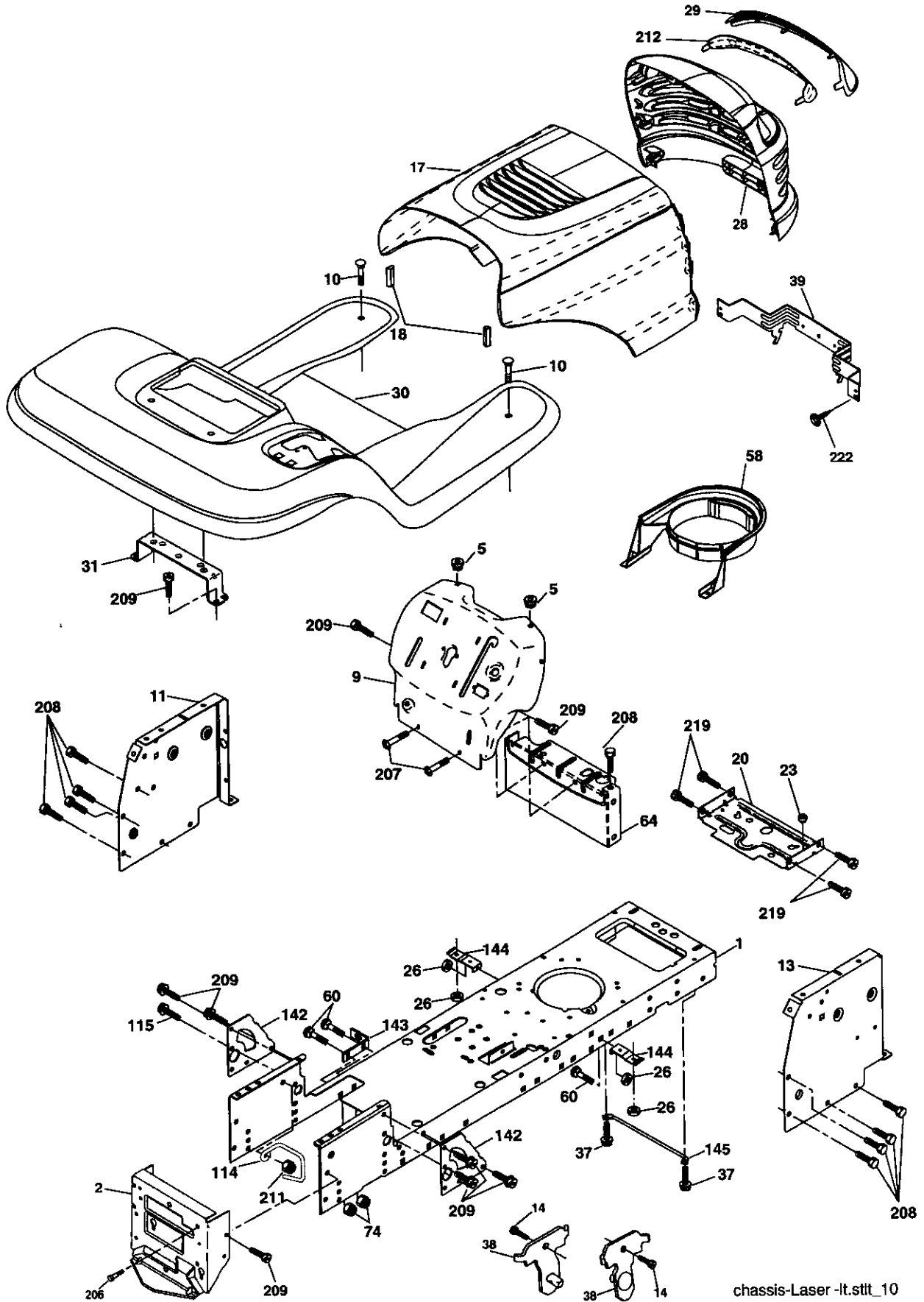
KEY NO.	PART NO.	DESCRIPTION
1	144927	Battery
2	74760412	Bolt Hex Hd 1/4-20 unc x 3/4
8	7603J	Case Battery
10	145211	Bolt, Btr Front 1/4-20 x 7-1/2
11	150109	Holddown Battery Front Mount
12	145769	Nut, Push Nylon Battery Front 1/4
16	176138	Switch, Interlock
21	183759	Harness Light Socket (W/4152j)
22	4152J	Bulb Light #1156
24	4799J	Cable Battery
25	146148	Cable Battery
26	175158	Fuse
27	73510400	Nut Keps Hex 1/4-20 unc
28	145491	Cable Ground
29	121305X	Switch Seat
30	175566	Switch Ign
33	140403	Key Molded Craftsman
40	179720	Harness Ign
41	71110408	Bolt Blk. Fin Hex 1/4-20 unc x 1/2
42	131563	Cover Terminal
43	178861	Solenoid
45	122822X	Ammeter Rectangular 6 Amp
52	141940	Protection Wire Loop
55	17490508	Screw Thdrol 5/16-18 x 1/2

**NOTE:** All component dimensions give in U.S. inches  
1 inch = 25.4 mm

# REPAIR PARTS

## TRACTOR- -MODEL NO. 917. 277430

### CHASSIS AND ENCLOSURES



chassis-Laser -lt.sttt\_10

# REPAIR PARTS

## TRACTOR- -MODEL NO. 917. 277430

### CHASSIS AND ENCLOSURES

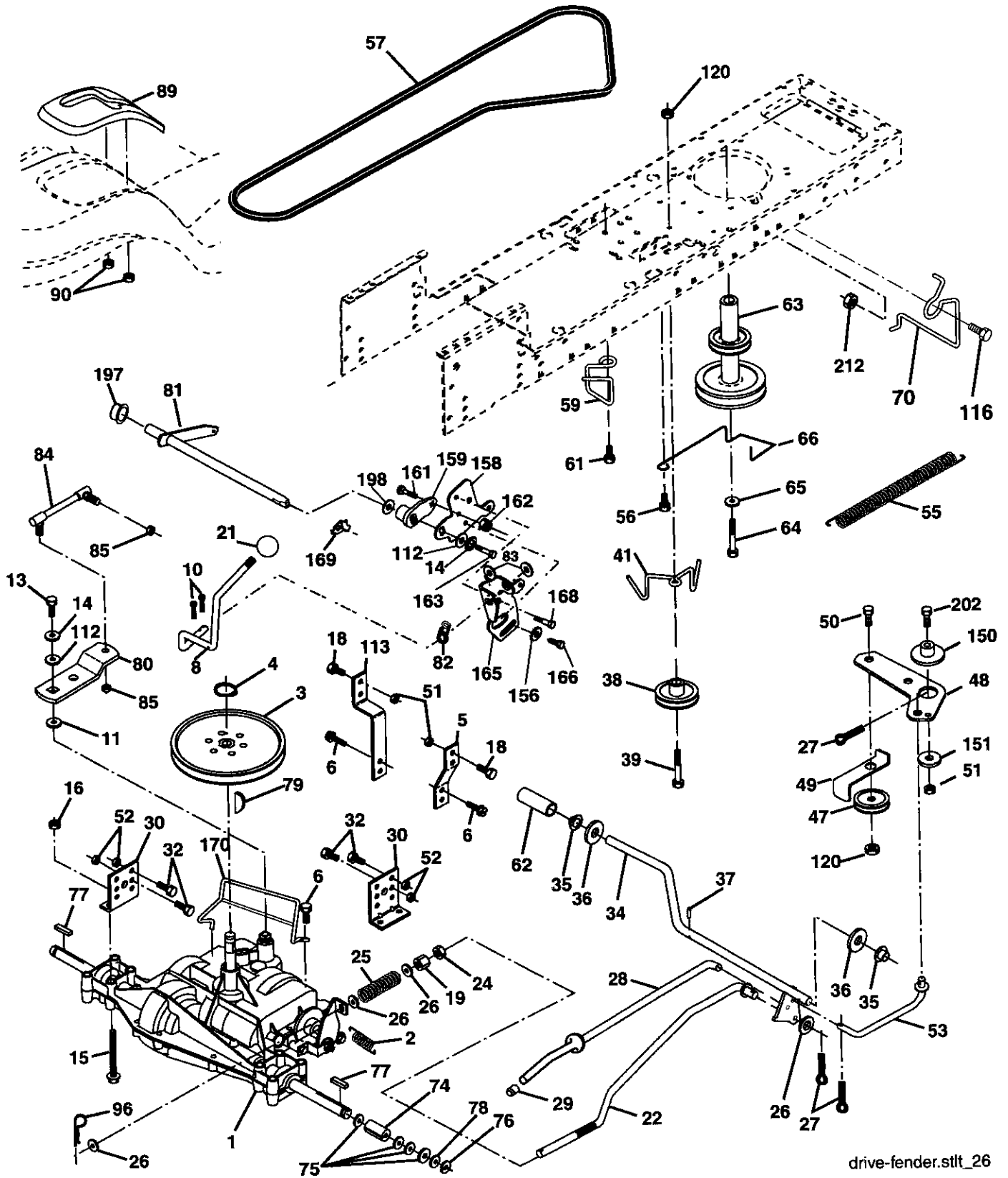
KEY NO.	PART NO.	DESCRIPTION
1	174619	Chassis Assembly
2	176554	Drawbar
5	155272	Bumper Hood/Dash
9	168337X014	Dash
10	STD533710	Bolt, Carriage 3/8-16 x 1
11	174996	Panel, Dash, L.H.
13	172105X010	Panel, Dash, R.H.
14	17490608	Screw Thdrol 3/8-16 x 1/2
17	185682X558	Hood
18	184921	Bumper Hood
20	180679	Plate Mtg Battery Fuel Tank
23	124028X	Bushing, Snap, Nylon, Fuel Line
26	STD541437	Locknut, Hex, with Insert 3/8-16 unc
28	190380	Grille/Lens Asm (Includes Key #'s 29, 212)
29	174332X599	Lens, Grille
30	174738X558	Fend/Ftrest
31	139976	Bracket, Fender Support
37	17490508	Screw Thdrol 5/16-18 x 1/2
38	175710	Pivot Bracket Assembly
39	174714	Bracket Pivot Laser Lt
58	184462	Air Duct
60	STD533707	Bolt Rdhd Sqnk 3/8-16 unc x 3/4
64	154798	Dash Lower STL
74	STD541437	Nut Crownlock 3/8-16 unc
114	158112	Keeper Belt Rear Lh Stil
115	17060620	Screw 3/8-16 x 1-1/4
142	175702	Plate Reinforcement STL
143	186689	Bracket Swaybar Chassis
144	175582	Bracket Pnt Footrest STL
145	156524	Rod Pivot Chassis/Hood
206	170165	Bolt Shoulder 5/16-18 TT
207	17670508	Screw Thdrol 5/16-18 x 1/2
208	17670608	Screw Thdrol 3/8-16 x 1/2
209	17000612	Screw Hex Wsh Thrd 3/8-16 x 3/4
211	145212	Nut Hexflange Lock
212	175143	Insert Lens Reflective
219	17000512	Screw 5/16-18 x 3/4
222	171875	Screw Hi-Lo #13-16 x 5/8
--	5479J	Plug Button

**NOTE:** All component dimensions give in U.S. inches  
1 inch = 25.4 mm

# REPAIR PARTS

TRACTOR- -MODEL NO. 917. 277430

## DRIVE



drive-fender.stlt\_26



# REPAIR PARTS

## TRACTOR- -MODEL NO. 917. 277430

### DRIVE

KEY NO.	PART NO.	DESCRIPTION	KEY NO.	PART NO.	DESCRIPTION
1	-----	Transaxle (See Breakdown) Peerless 206-545C	62	8883R	Cover, Pedal
2	146682	Spring, Return, Brake	63	180219	Pulley, Engine
3	123666X	Pulley, Transaxle	64	173937	Bolt, Hex 7/16-20 x 4 Gr. 5
4	12000028	Ring, Retainer	65	STD551143	Washer
5	121520X	Strap, Torque	66	154778	Keeper, Belt, Engine, Fool-Proof
6	17060512	Screw 5/16-18 x 3/4	70	180218	Guide, Mower Drive Belt, R.H.
8	165866	Rod Shifter Fender STLT	74	137057	Spacer, Axle
10	STD561210	Pin, Cotter	75	121749X	Washer 25/32 x 1-1/4 x 16 Ga.
11	105701X	Washer, Shift Plate	76	STD581075	E-Ring
13	74550412	Bolt 1/4-28 UNF W/Patch Gr. 8	77	123583X	Key, Square 2.0 x .1845/.1865
14	10040400	Washer Lock Hvy Helical	78	121748X	Washer 25/32 x 1-5/8 x 16 Ga.
15	74490544	Bolt, Hex Flghd 5/16-18 Gr. 5	79	STD580025	Key Woodruff
16	73800500	Nut Lock Hx w/ins 5/16-18 Unc PL	80	145090	Arm, Shift
18	STD523710	Bolt Fin Hex 3/8-16 unc x 1 Gr. 5	81	165592	Shaft Asm Cross Tapered
19	STD541437	Nut	82	165711	Spring, Torsion
21	106933X	Knob	83	19171216	Washer 17/32 x 3/4 x 16 Ga.
22	130804	Rod, Brake	84	166231	Link Transaxle
24	STD541237	Nut	85	150360	Nut, Nylock
25	106888X	Spring, Brake Rod	89	158391X428	Console, Shift, STLT
26	STD551037	Washer	90	124346X	Nut, Self-Thding, Wsh Hd 1/4
27	STD561210	Pin	96	STD624003	Retainer Spring 1"
28	175765	Rod, Parking Brake	112	19091210	Washer 9/32 x 3/4 x 10 Ga.
29	71673	Cap, Parking Brake	113	127285X	Strap Torque 90 Degrees
30	169592	Bracket, Transaxle	116	72140608	Bolt Rdhd Sqneck 3/8-16 x 1
32	STD523107	Bolt	120	73900600	Nut Lock Flg. 3/8-16
34	175578	Shaft Assembly, Foot Pedal	150	175456	Spacer Retainer
35	120183X	Bearing, Nylon	151	19133210	Washer 13/32 x 2 x 10 Ga.
36	STD551062	Washer	156	166002	Washer Srrted 5/16 ID x 1.125
37	STD571810	Roll Pin	158	165589	Bracket Shift Mount
38	179114	Pulley, Composite	159	183900	Hub Shift
39	72110622	Bolt, Fin Hex 3/8-16 x 2-3/4	161	72140406	Bolt Rdhd Sqnk 1/4-20 x 3/4 Gr.5
41	175556	Keeper, Belt, Idler	162	73680400	Nut Crownlock 1/4-20 unc
47	127783	Pulley, Idler, V-Groove, Plastic	163	74780416	Bolt Hex Fin 1/4-20 unc x 1 Gr. 5
48	154407	Bellcrank Clutch Grnd Drv Stl	165	165623	Bracket Pivot Lever
49	123205X	Retainer, Belt	166	17490510	Screw 5/16-18 x 5/8
50	72110612	Bolt Carr Sh 3/8-16 x 1-1/2 Gr. 5	168	165492	Bolt Shoulder 5/16-18 x .561
51	STD541437	Nut Crown Lock 3/8-16 unc	169	165580	Plate Fastening Lt
52	STD541431	Nut Crown Lock 5/16-18 unc	170	187414	Keeper Belt Transaxle Gear
53	105710X	Link, Clutch	197	169613	Nyliner Snap-In
55	105709X	Spring, Clutch Return	198	169593	Washer Nyliner
56	17060620	Screw 3/8-16 x 1-1/4	202	72110614	Bolt Carr. SH 3/8-16 x 1-3/4 Gr. 5
+ 57	130801	V-Belt, Ground Drive	212	145212	Nut Hex Flg. Lock
59	169691	Keeper, Belt, Center Span			
61	17120614	Screw 3/8-16 x .875			

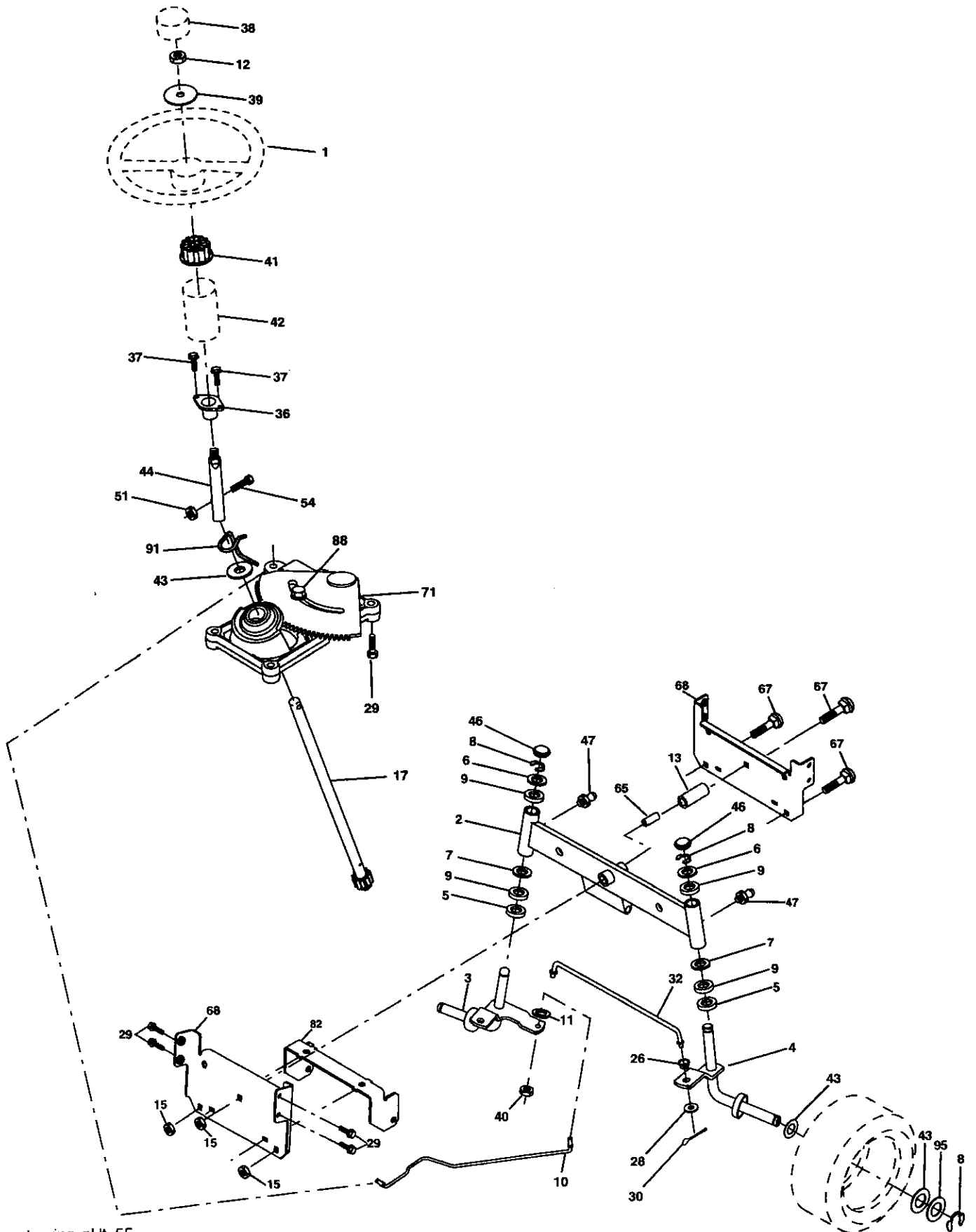
**NOTE:** All component dimensions give in U.S. inches  
1 inch = 25.4 mm

+ 138255

# REPAIR PARTS

TRACTOR- -MODEL NO. 917. 277430

## STEERING ASSEMBLY



steering\_pl.it\_55

# REPAIR PARTS

## STEERING ASSEMBLY

### TRACTOR- -MODEL NO. 917. 277430

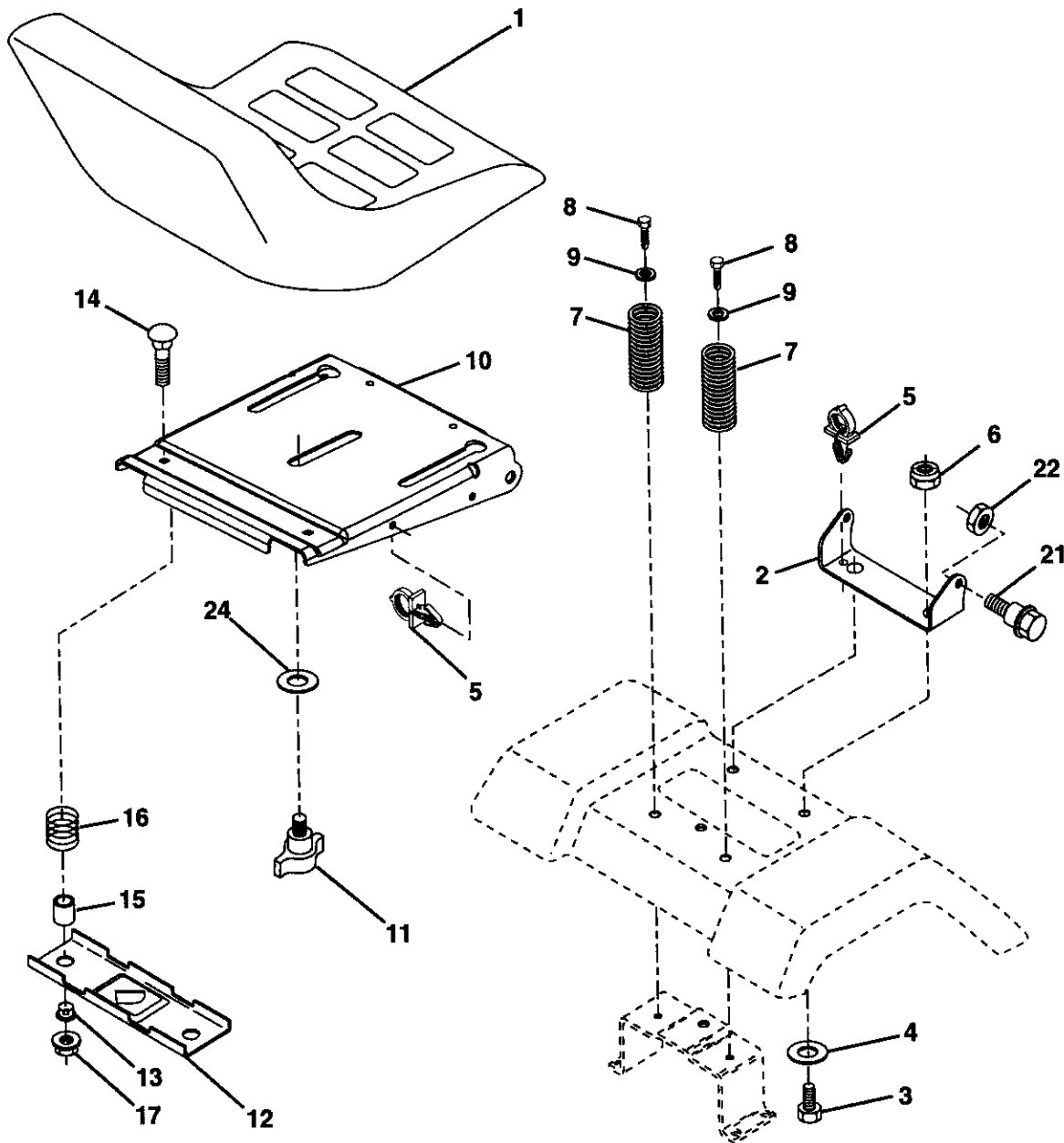
KEY NO.	PART NO.	DESCRIPTION
1	139768	Steering Wheel
2	175131	Axle Assembly
3	169840	Spindle Assembly, L.H.
4	169839	Spindle Assembly, R.H.
5	6266H	Bearing, Race, Thrust, Hardened
6	121748X	Washer 25/32 x 1-5/8 x 16 Ga.
7	19272016	Washer 27/32 x 1-1/4 x 16 Ga.
8	12000029	Ring, Klip
9	3366R	Bearing, Steering Column
10	175121	Draglink
11	STD551137	Washer, Lock
12	73940800	Nut Hex Jam Toplock 1/2-20 unf
13	136518	Spacer, Bearing, Axle
15	145212	Nut, Hexflange Lock
17	180641	Shaft Assembly, Steering
26	126847X	Bushing, Link, Drag
28	19131416	Washer 13/32 x 7/8 x 16 Ga.
29	17000612	Screw 3/8-16 x 3/4
30	STD561210	Pin
32	130465	Rod, Tie
36	155099	Bushing, Steering
37	152927	Screw
38	139769	Insert, Steering Wheel
39	19183812	Washer 9/16 x 2-3/8
40	73540600	Crownlock Nut 3/8-24
41	186737	Adaptor, Steering Wheel
42	145054X428	Boot, Steering Shaft
43	121749X	Washer 25/32 x 1-1/4 x 16 Ga.
44	180640	Extension Shaft Steering
46	121232X	Cap, Spindle
47	183226	Fitting, Grease
51	73540400	Nut Crownlock 1/4-28
54	71130420	Bolt Hex 1/4-28 unf x 1-1/4 Gr. 8
65	160367	Spacer Brace Axle
67	72110608	Bolt RDHD SQNK 3/8-16 x 2-1/4
68	169827	Axle, Brace
71	175146	Steering Asm
82	169835	Bracket Susp Chassis Front
88	175118	Bolt shoulder 7/16-20
91	175553	Clip Steering
95	188967	Washer Hardened

**NOTE:** All component dimensions given in U.S. inches  
1 inch = 25.4 mm

# REPAIR PARTS

TRACTOR- -MODEL NO. 917. 277430

## SEAT ASSEMBLY



seat\_lt.knob\_9

KEY NO.	PART NO.	DESCRIPTION
1	188716	Seat
2	180166	Bracket Pivot Fender
3	71110616	Bolt Fin Hex 3/8-16 unc x 1
4	19131610	Washer 13/32 x 3/4 x 10 Ga.
5	145006	Clip Push In Hinged
6	STD541437	Nut Hex Lock w/Ins 3/8-16 unc
7	124181X	Spring Seat Cprsn 2 250 Blk Zi
8	17000616	Screw 3/8-16 x 1.5 SMGML
9	19131614	Washer 13/32 x 1 x 14 Ga.
10	180186	Pan Pnt Seat (blk )
11	166369	Knob Seat
12	121246X	Bracket Pnt Mounting Switch

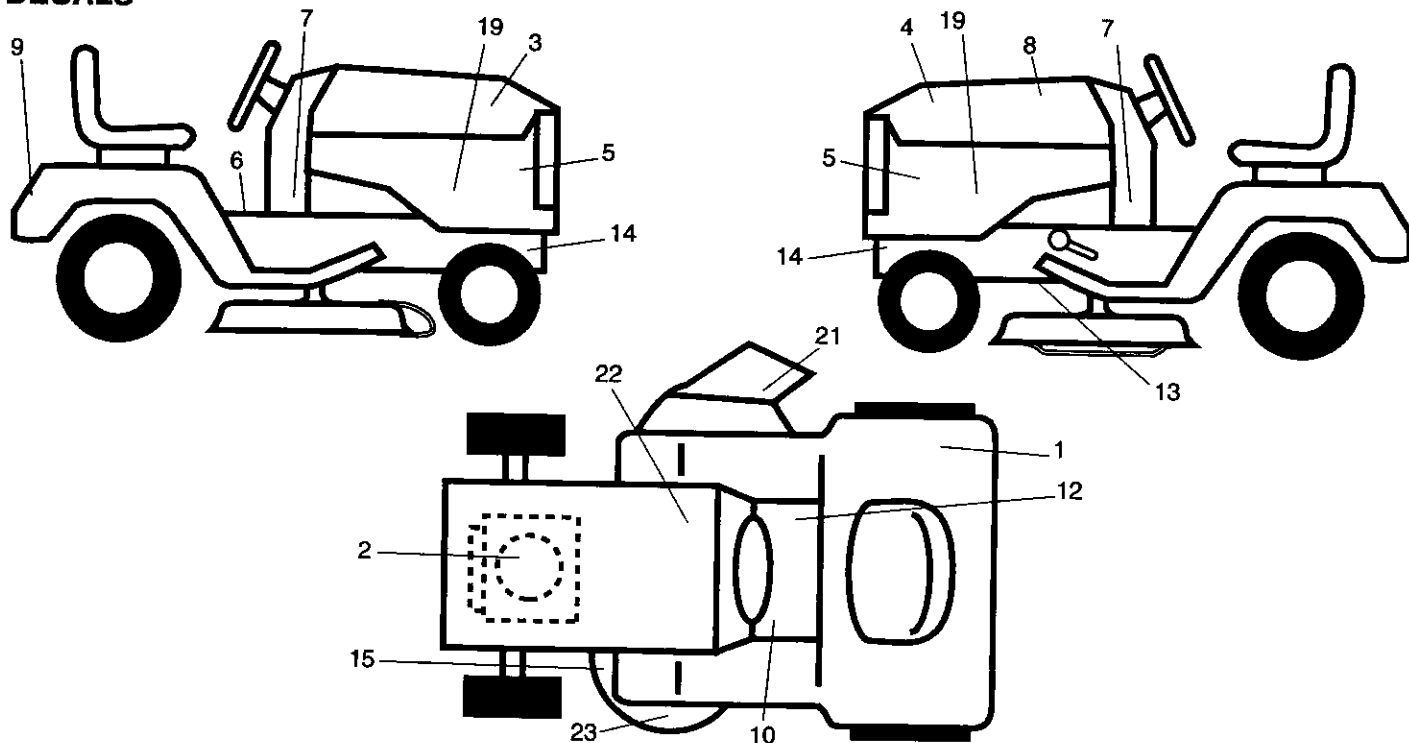
KEY NO.	PART NO.	DESCRIPTION
13	121248X	Bushing Snap Blk Nyl 50 Id
14	72050412	Bolt Rdhd Sht Nk 1/4-20 x 1-1/2
15	134300	Spacer Split 28 x 96 Zinc
16	121250X	Spring Cprsn 1 27 Blk Pnt
17	123976X	Nut Lock 1/4 Lge Flg Gr. 5 Zinc
21	171852	Bolt Shoulder 5/16-18 unc-2A
22	STD541431	Nut Hex Lock w/Ins 5/16-18
24	19171912	Washer 17/32 x 1-3/16 x 12 Ga.

**NOTE:** All component dimensions given in U.S. inches  
1 inch = 25.4 mm

# REPAIR PARTS

## TRACTOR- -MODEL NO. 917. 277430

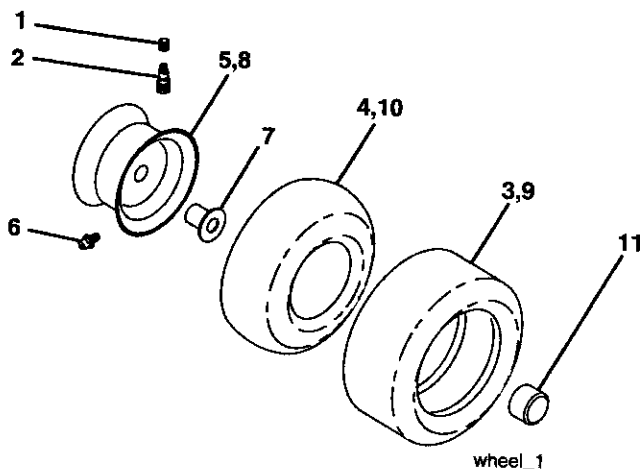
### DECALS



KEY NO.	PART NO.	DESCRIPTION
1	180432	Decal, Fender DBA
2	189526	Decal, Engine
3	184728	Decal, Hood, R.H.
4	184729	Decal, Hood, L.H.
5	184730	Decal, Hood Side
6	145498	Decal, Read Owner's Manual
7	189647	Decal, Lower Dash
8	188999	Decal, Rplcmnt
9	184899	Decal, Fender, Craftsman Gold
10	159737	Decal, Brake/Clutch Symbol
11	182166	Decal, Cutfinger
12	140837	Decal, Brake Parking Saddle
13	146046	Decal, V-Belt Dr Sch Tractor
14	159736	Decal, Hot Muffler

KEY NO.	PART NO.	DESCRIPTION
15	160396	Decal, Mower Drive Schematic
19	184730	Decal, Side Panel
21	179128	Decal, Deck
22	145005	Decal, Battery
23	172331	Decal, Deck Sears
--	162598	Decal, Load Limit
--	138311	Decal, Lift Handle
--	184310X428	Pad Footrest LH STLT
--	184311X428	Pad Footrest RH STLT
--	190994	Operator's Manual (Euro)
--	190995	Operator's Manual (Scand)
--	191034	Manual Parts

### WHEELS & TIRES



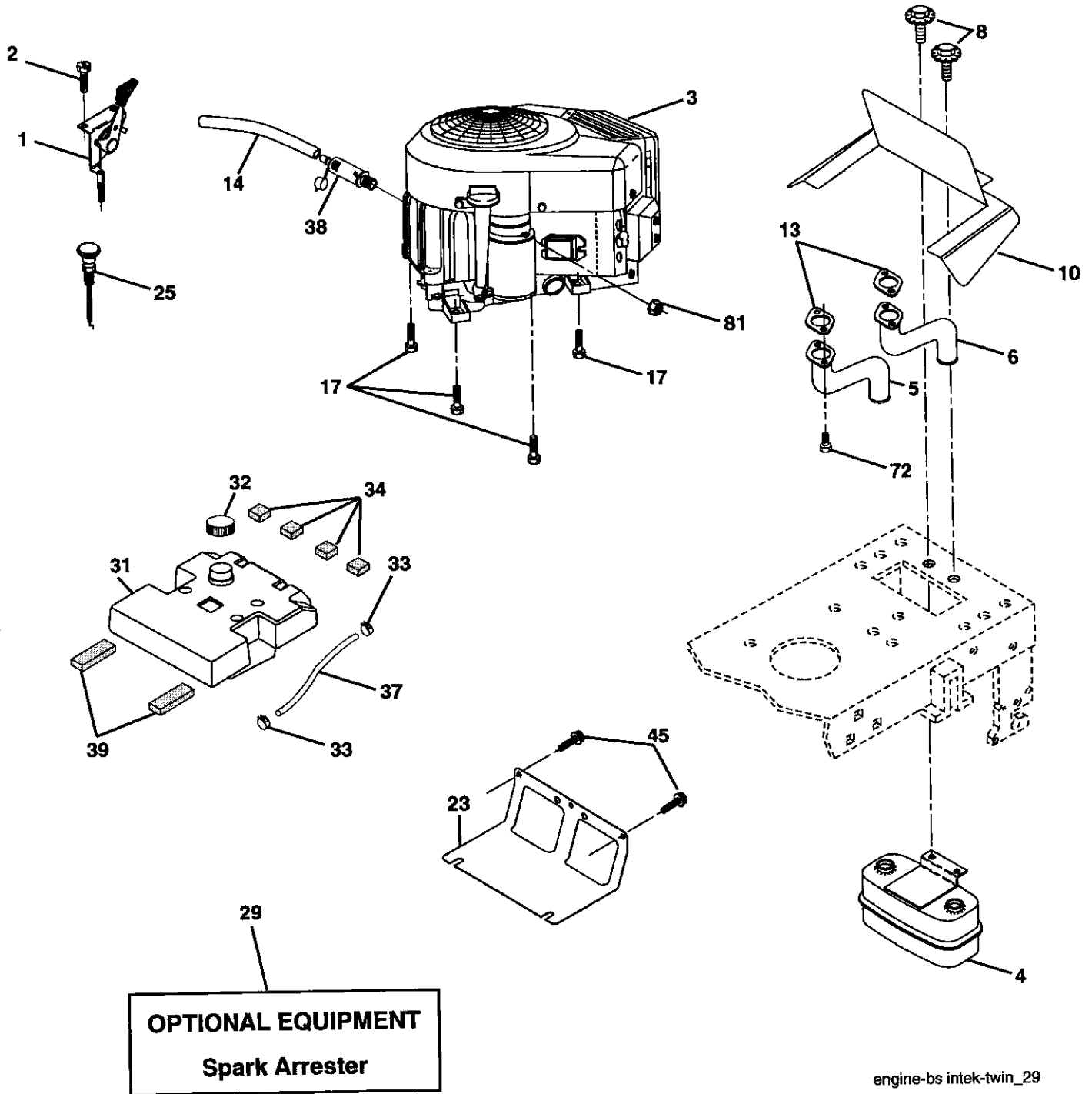
KEY NO.	PART NO.	DESCRIPTION
1	59192	Valve Cap, Tire
2	65139	Stem, Valve
3	106222X	Tire, Front
4	59904	Tube, Front Tire (Not Provided, Service Item Only)
5	106732X624	Rim, Front
6	278H	Fitting, Grease (Front Wheel Only)
7	9040H	Bearing, Flange (Front Wheel Only)
8	106108X624	Rim, Rear
9	122082X	Tire, Rear
10	7152J	Tube, Rear Tire (Not Provided, Service Item Only)
11	104757X428	Cap, Axle
--	144334	Sealant, Tire 10 oz.

**NOTE:** All component dimensions given in U.S. inches  
1 inch = 25.4 mm

# REPAIR PARTS

TRACTOR- -MODEL NO. 917. 277430

## ENGINE



# REPAIR PARTS

## TRACTOR- -MODEL NO. 917. 277430

### ENGINE

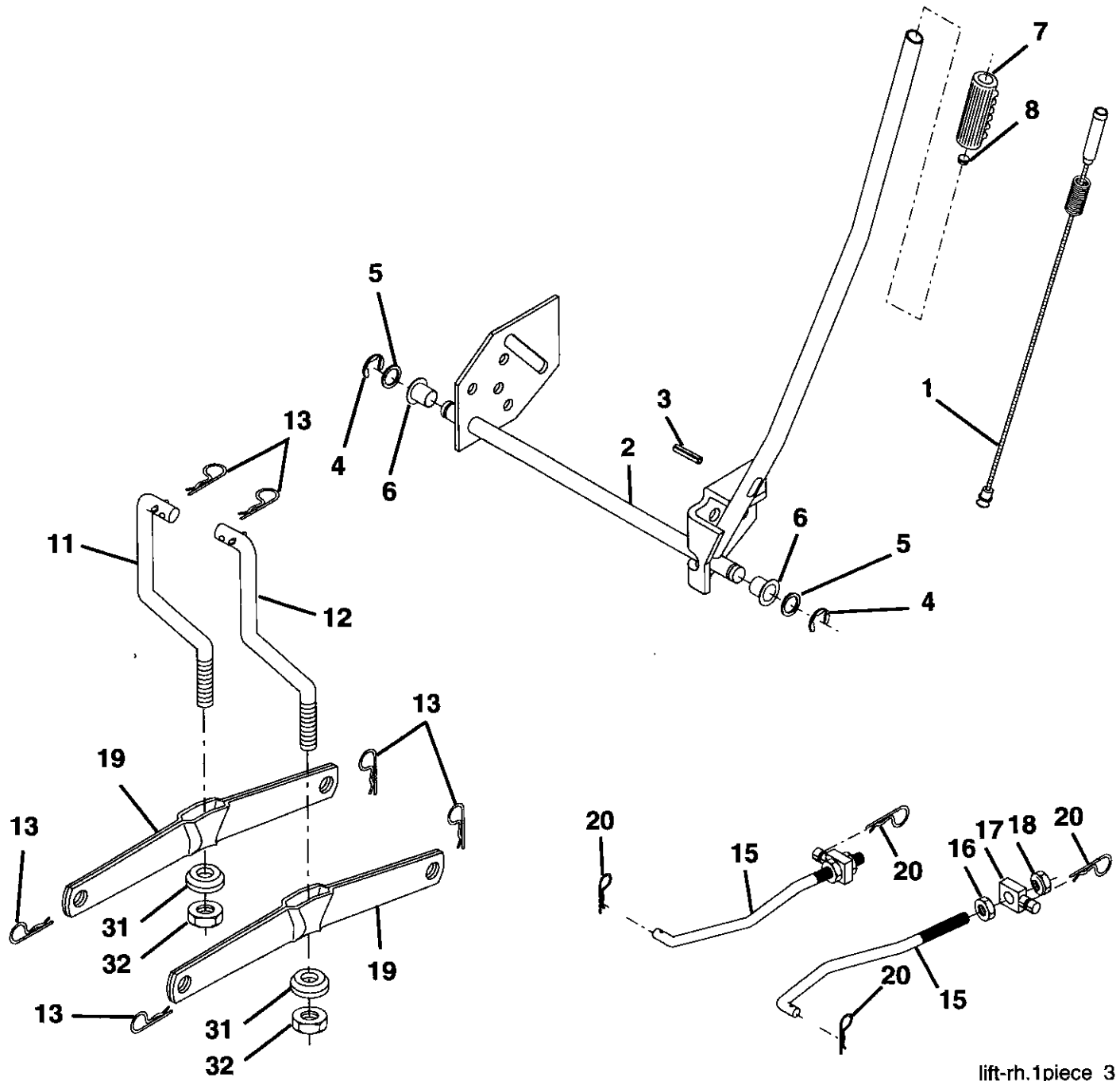
KEY NO.	PART NO.	DESCRIPTION
1	170546	Control, Throttle Paddle
2	17720408	Screw, Hex Thd Cut 1/4-20 x 1/2
3	-----	Engine, B&S, (See Breakdown) No. 407577-0288-E1
4	149723	Muffler Exhaust
5	159955	Exhaust Asm. Left
6	160589	Exhaust Asm. Right
8	171877	Bolt 5/16-18 unc x 3/4 W/Sems
10	162797	Shield Browning
13	165391	Gasket, Muffler
14	148456	Tube Drain Oil Easy
17	17060624	Screw 3/8-16 x 1-1/2
23	169837	Shield, Brn/Dbr Guard
25	145996	Control Choke
26	73920600	Nut Keps 3/8-24 unf
29	137180	Arrestor, Spark
31	157103	Tank, Fuel
32	161696	Cap Fuel Guage
33	123487X	Clamp, Hose
34	106082X	Spacer Pad
37	8543R	Line, Fuel
38	181654	Plug, Oil Drain Easy
39	109227X	Pad Idler
45	17000612	Screw Hex Wsh 3/8-16 x 3/4
72	183906	Screw 5/16-18 x 1
81	73510400	Nut Keps Hex 1/4-20 Starter Nut

**NOTE:** All component dimensions given in U.S. inches  
1 inch = 25.4 mm

# REPAIR PARTS

TRACTOR- -MODEL NO. 917. 277430

## MOWER LIFT



lift-rh.1piece\_3



# REPAIR PARTS

## TRACTOR- -MODEL NO. 917. 277430

### MOWER LIFT

KEY NO.	PART NO.	DESCRIPTION
1	159460	Lift Lever Inner Wire Assembly
2	159471	Shaft Assembly, Lift
3	105767X	Pin, Groove
4	12000002	E-Ring
5	19211621	Washer 21/32 x 1 x 21 Ga.
6	120183X	Bearing, Nylon
7	125631X	Grip, Handle, Fluted
8	122365X	Button, Plunger, Red
11	139865	Link, Lift, L.H.
12	139866	Link, Lift, R.H.
13	STD624008	Retainer Spring
15	173288	Link, Front
16	73350800	Nut, Hex, Jam 1/2-13 unc
17	175689	Trunnion
18	73800800	Nut Lock w/Wsh 1/2-13 unc
19	139868	Arm, Suspension, Rear
20	163552	Retainer Spring
31	169865	Bearing, Pvt, Lift
32	73540600	Nut, Crownlock 3/8-24

**NOTE:** All component dimensions given in U.S. inches  
1 inch = 25.4 mm



# REPAIR PARTS

## TRACTOR- -MODEL NO. 917. 277430

### MOWER

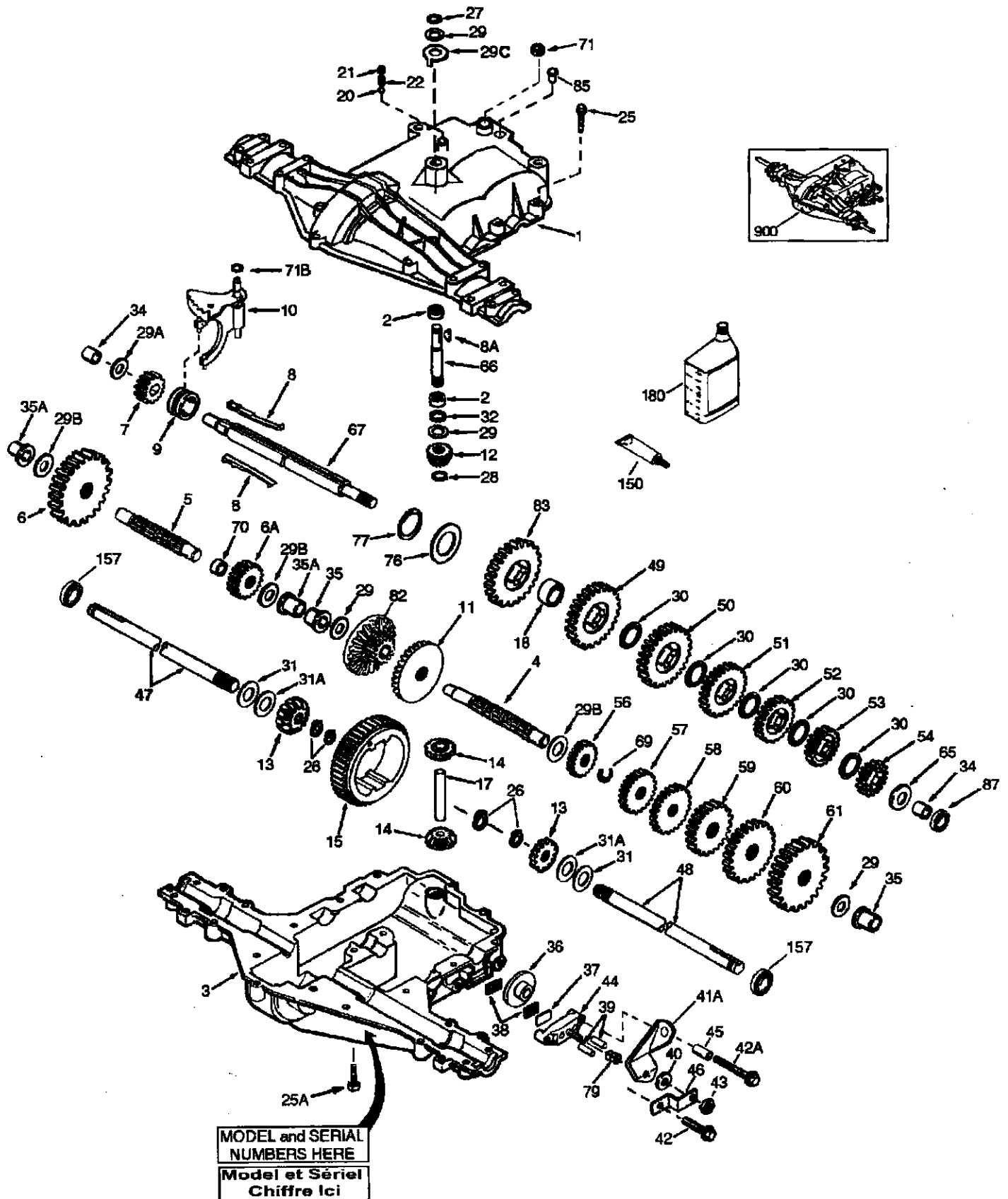
KEY NO.	PART NO.	DESCRIPTION	KEY NO.	PART NO.	DESCRIPTION
1	165892	Mower Deck Assembly, 42"	92	STD541437	Nut
2	STD533107	Bolt	101	136420	Mulcher Cover
3	138017	Bracket Assembly,Sway Bar, Front	102	71081010	Screw Pan HD Phillip 10-24 x 5/8
4	165460	Bracket Sway Bar 38/42" Deck	103	19061216	Washer #10
5	STD624008	Retainer Spring	104	STD551110	Washer, Lock
6	178024	Bar Sway Deck	105	160793	Latch Assembly, Bagger
8	850857	Bolt, Hex 3/8-24 x 1.25 Gr. 8	106	2029J	Nut, Weld
9	STD551137	Washer, Lock	111	179292	Bracket, Gauge, Wheel L.H.
10	140296	Washer, Hardened	112	179293	Bracket, Gauge, Wheel R.H.
11	134149	Blade, 42" Mulching Std.	113	17000510	Screw 5/16-18 x .625
13	137645	Shaft Assembly, Mandrel, Vented	114	STD541431	Nut, Hex, Keps 5/16-18 unc
14	128774	Housing, Mandrel, Vented	115	72110505	Bolt, Carriage 5/16 unc x 5/8
15	110485X	Bearing, Ball, Mandrel	116	4898H	Bolt, Shoulder
16	174493	Stripper, Mower Deck	117	165746	Wheel, Gauge
18	72140505	Bolt, Carriage 5/16-18 x 5/8	118	73930600	Nut, Centerlock 3/8-16
19	132827	Bolt, Shoulder	119	STD551037	Washer 3/8 x 7/8 x 14 Ga.
20	159770	Baffle, Vortex	129	19131312	Washer 13/16 x 12 Ga.
21	STD541431	Nut Crownlock 5/16-18 unc	130	STD523710	Bolt, Fin Hex 3/8-16 unc x 1 Gr. 5
23	177563	Bracket, Deflector	131	STD533710	Bolt, Rdhd Sqnc 3/8-16 unc x 1
24	105304X	Cap, Sleeve	142	165890	Arm Spring Brake Mower
25	123713X	Spring, Torsion, Deflector	143	157109	Bracket Arm Idler 42"
26	110452X	Nut, Push	144	158634	Keeper Belt
27	130968X428	Shield, Deflector	145	165888	Pulley Idler Flat
28	19111016	Washer 11/32 x 5/8 x 16 Ga.	146	171977	Bolt Carriage Idler
29	131491	Rod, Hinge	147	179748	Spring Extension
30	173984	Screw Thdrol	148	169022	Spring Return Idler
31	187690	Washer, Spacer	149	165898	Retainer Spring Yellow Zinc
32	153535	Pulley, Mandrel	150	19091210	Washer 9/32 x 3/4 x 10 Ga.
33	178342	Nut, Toplock, Flanged	152	181555	Cable Clutch 42 In
34	STD533717	Bolt	158	17720408	Screw Hex Thd Cut 1/4-20 x 1/2
36	131494	Pulley, Idler, Flat	159	STD533717	Bolt Rdhd Sqn 3/8-16 unc x 1-3/4
40	73900600	Nut Lock 3/8-16 unc	184	19131410	Washer 13/32 x 7/8 x 10 Ga.
44	140088	Guard, Mandrel, L.H.	185	188234	Head Asm Cable Clutch
45	STD624003	Retainer	--	130794	Mandrel Assembly (Includes Housing, Shaft and Shaft Hardware Only- Pulley not Included)
46	137729	Screw, Thd. Roll 1/4-20 x 5/8	--	181281	Replacement Mower, Complete (Std. Deck-Order separately mulcher cover and guage wheel components key nos. 101 - 106 and 116 - 119)
48	133944	Washer, Hardened			
52	139888	Bolt, Shoulder 5/16-18 unc			
53	184907	Arm Assembly, Pad, Brake			
54	178515	Washer, Hardened			
55	155046	Arm, Idler			
56	165723	Spacer, Retainer			
59	141043	Guard, TUV Idler			
67	149846	Knob Custom Oval			
68	180215	V-Belt			

**NOTE:** All component dimensions given in U.S. inches  
1 inch = 25.4 mm

# REPAIR PARTS

TRACTOR- -MODEL NO. 917. 277430

PEERLESS TRANSAXLE - MODEL NUMBER 206-545C



# REPAIR PARTS

**TRACTOR- -MODEL NO. 917. 277430**

**PEERLESS TRANSAXLE - MODEL NUMBER 206-545C**

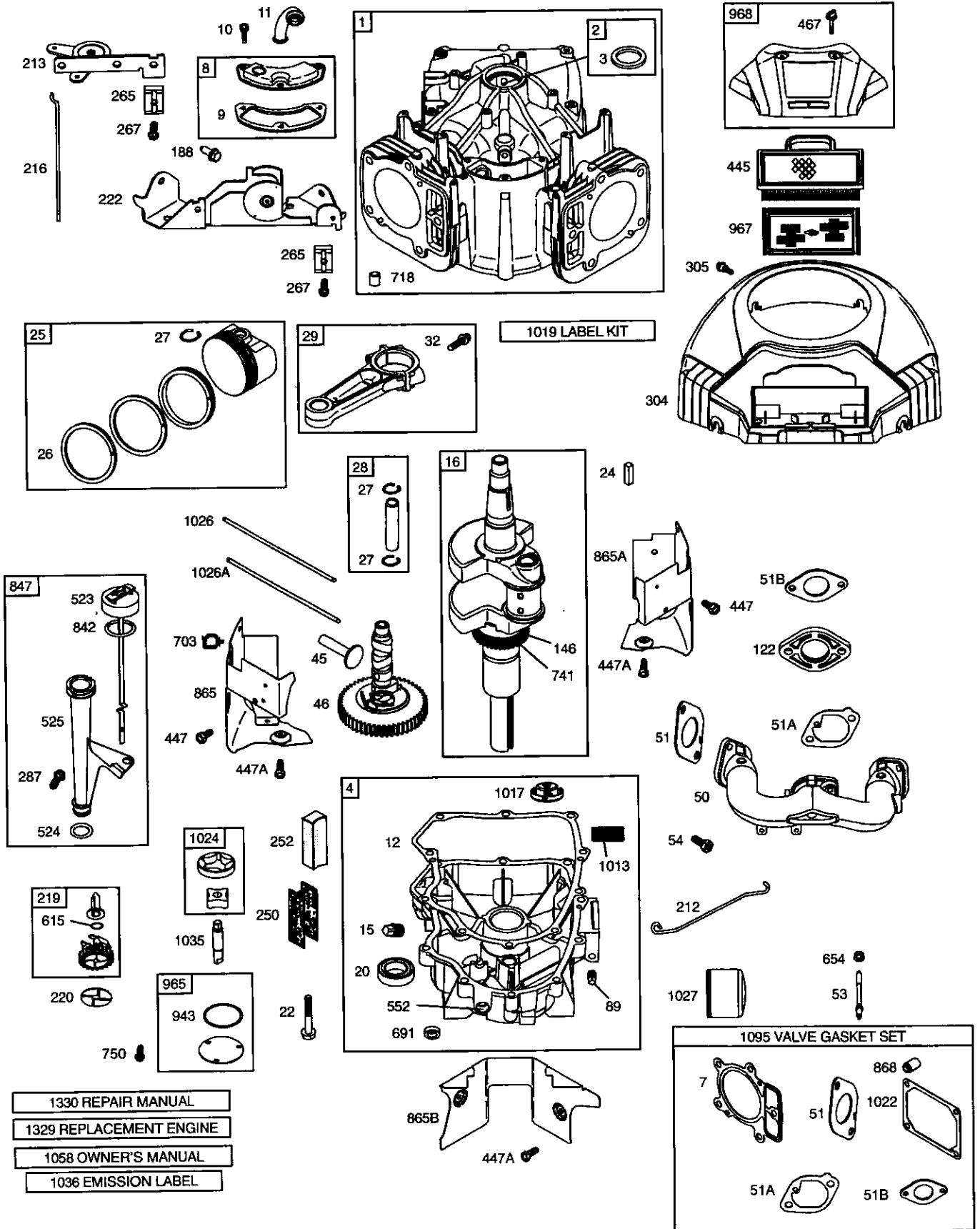
REF PART NO. NO.	DESCRIPTION	REF PART NO. NO.	DESCRIPTION		
1	772147	41A	790079	Transaxle Cover	Brake Lever
2	780086A	42	792073A	Needle Bearing 5/8"	Screw 1/4 - 20 x 1-1/4"
3	770128	42A	792085A	Transaxle Case	Screw 1/4 - 20 x 2 1/4"
4	776395	43	792075	Countershaft	Locknut 5 / 16 - 24
5	776409	44	790025	Output Shaft	Brake Pad Holder
6	778364	45	786066	Spur Gear (38 teeth)	Spacer .2625 x 1.0
6A	778369	46	786086	Spur Gear (15 teeth)	Brake Lever Bracket
7	778330	47	774690	Spur Gear (11 teeth)	Axle (11-15 / 16" Long)
8	792180	48	774691	Shift Key	Axle (16 - 1 / 2" long)
8A	792047	49	778356	Woodruff Key #9	Spur Gear (29 teeth)
9	784352	50	778338	Shift Collar	Spur Gear (27 teeth)
10	784378	51	778354	Shift Rod & Fork	Spur Gear (23 teeth)
11	778334	52	778352	Bevel Gear (30 teeth)	Spur Gear (19 teeth)
12	778309	53	778350	Input Bevel Pinion (13 teeth)	Spur Gear (16 teeth)
13	778368	54	778346	Bevel Gear (13 teeth) (Include. 14)	Spur Gear (15 teeth)
14	778368	56	778355	Bevel Pinion (13 teeth) (Include. 13)	Spur Gear (11 teeth)
15	778370	57	778337	Ring Gear (43 teeth)	Spur Gear (13 teeth)
17	786188	58	778353	Drive Pin	Spur Gear (17 teeth)
18	786102	59	778351	Spacer 1.130 X .695	Spur Gear (21 teeth)
20	792077A	60	778349	Ball 5/16" dia	Spur Gear (24 teeth)
21	792078	61	778345	Set Screw 3/8 - 16 x 3/8"	Spur Gear (25 teeth)
22	792079	65	780189	Spring .310 OD x .625 L	Flat Washer .563 ID x .062W
25	792073A	66	776422	Screw 1/4 - 20 x 1-1/4"	Input Shaft
25A	792177	67	776396	Screw 1/4-20 x 1-3/8"	Shifter & Brake Shaft
26	792125	69	792170	Retaining Ring (pkg of 2)	Retaining Ring
27	792035	70	786187	Retaining Ring	Spacer .890
28	788040	71	788069	Retaining Ring	Square Cut Ring
29	780072	71B	788092	Thrust Washer .627 ID x .031W	"O" Ring
29A	780160	76	780090	Thrust Washer .762 ID x .031W	Flat Washer 1.128 ID x .058W
29B	780051	77	788078A	Thrust Washer .762 ID x .031W	Inverted Retaining Ring
29C	780199	79	792144	Anti-Rotation Washer .632	Spring .430 OD x .5000 L
30	780108	82	778333	Cup Washer 1.127 ID x .032W	Bevel & Spur Gear (30 & 13 teeth)
31	780001	83	778338	Flat Washer .750 ID x .056W (Use As Needed)	Spur Gear (27 teeth)
31A	780195	85	792154	Flat Washer .750 ID x .062W	Oil Fill Plug
32	788083	87	788089A	Oil Seal 5/8"	Oil Seal 9 / 16"
34	780194	150	788093A	Bushing .563	Liquid Gasket RTV Silicone
35	780193	157	788088A	Flanged Bushing 5 / 8" ID	Oil Seal 3 / 4"
35A	780197	180	730229A	Flanged Bushing .751	Gear Oil 80W90
36	790075	900	794712	Brake Disk	Replacement MST - 206-545C Transaxle
37	790007			Brake Pad Plate	
38	799021			Brake Pad (pkg of 2)	
39	786026			Dowel Pin	
40	792076A			Flat Washer .312 ID x .059W	

**NOTE:** All component dimensions given in U.S. inches  
1 inch = 25.4 mm

# REPAIR PARTS

TRACTOR- -MODEL NO. 917. 277430

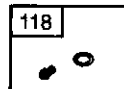
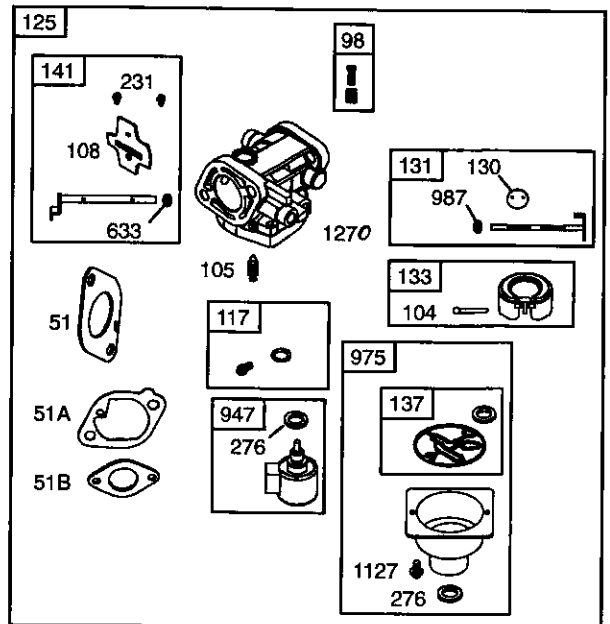
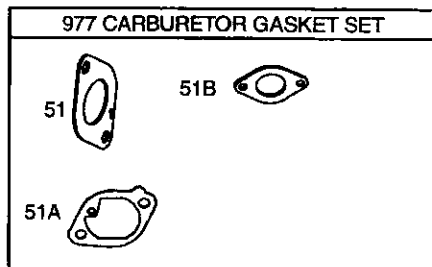
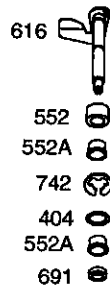
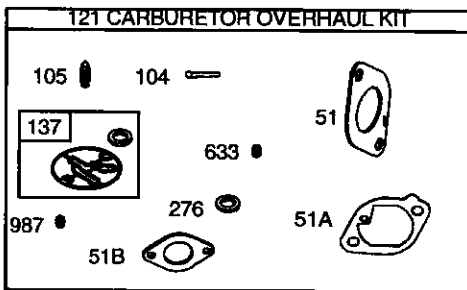
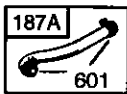
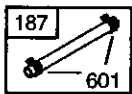
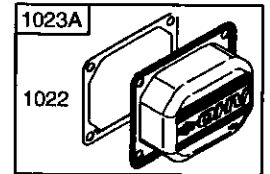
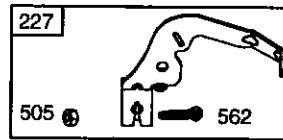
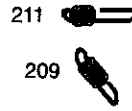
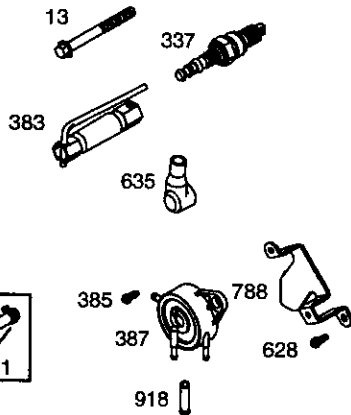
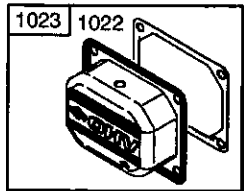
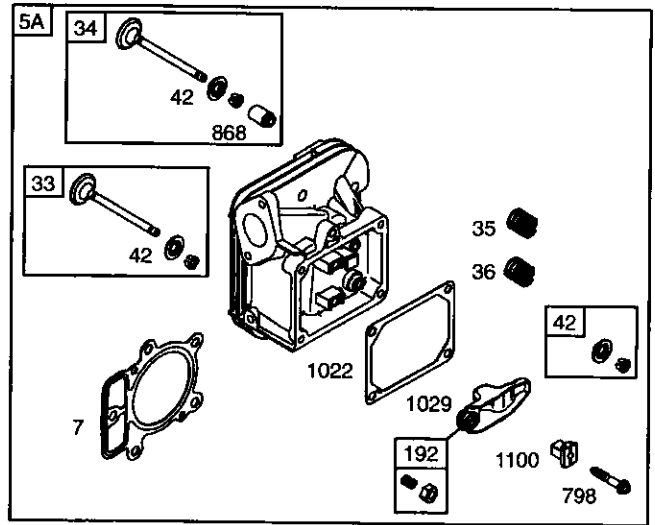
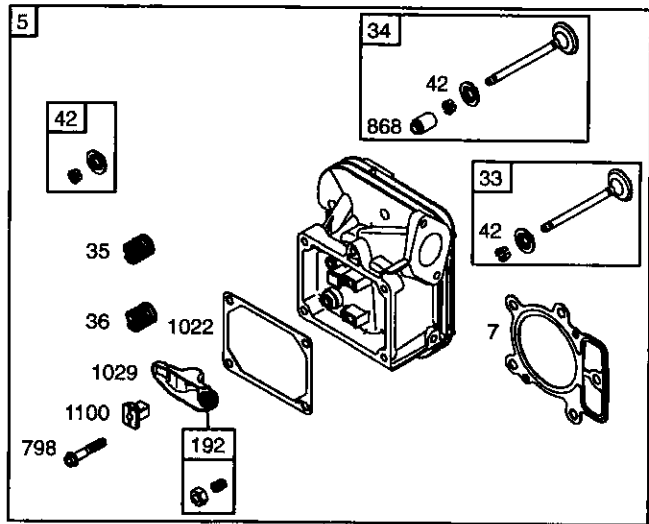
BRIGGS & STRATTON ENGINE - - MODEL NUMBER 407577, TYPE NUMBER 0288-E1



# REPAIR PARTS

TRACTOR- -MODEL NO. 917. 277430

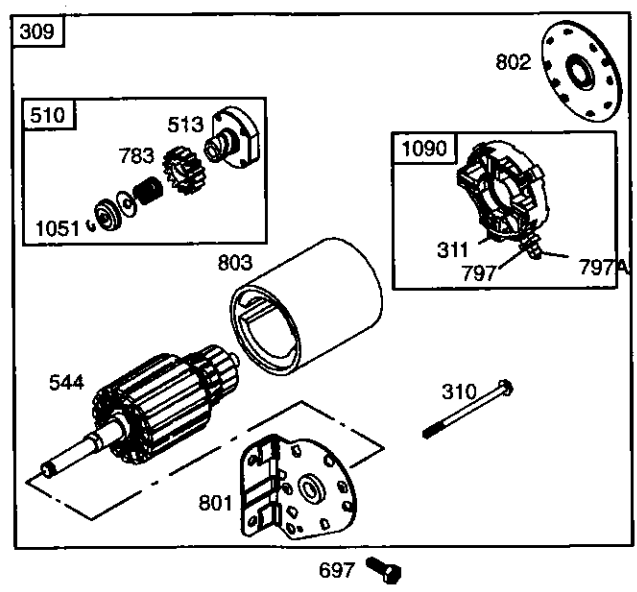
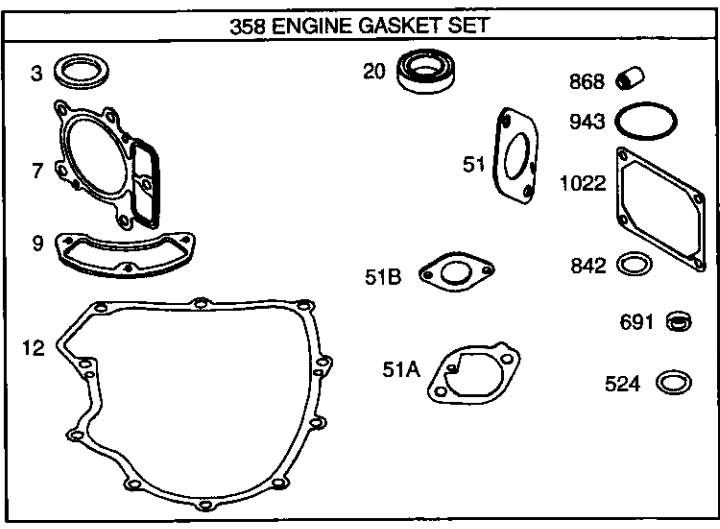
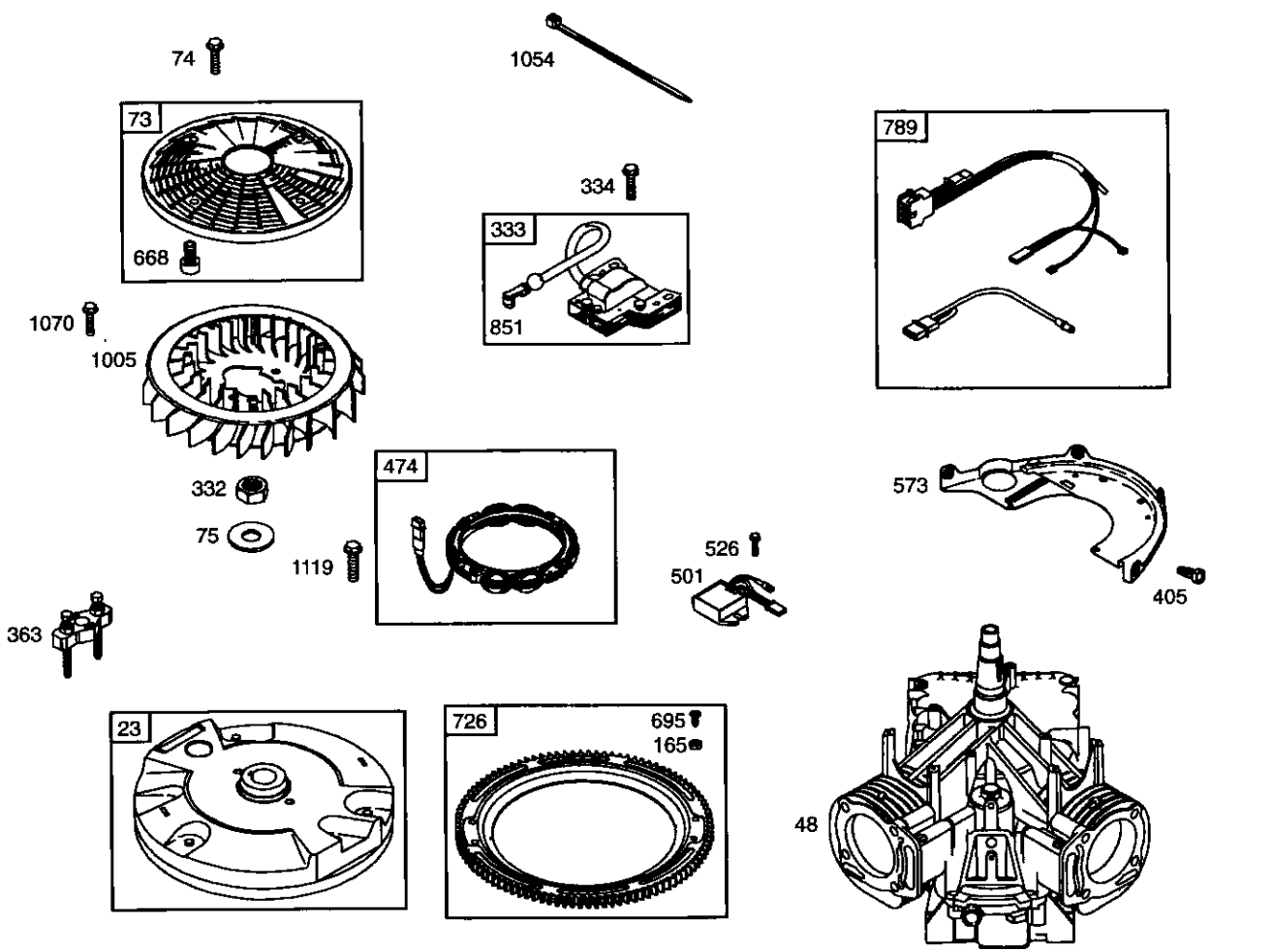
BRIGGS & STRATTON ENGINE - - MODEL NUMBER 407577, TYPE NUMBER 0288-E1



# REPAIR PARTS

TRACTOR- -MODEL NO. 917. 277430

BRIGGS & STRATTON ENGINE - - MODEL NUMBER 407577, TYPE NUMBER 0288-E1





# REPAIR PARTS

## TRACTOR- -MODEL NO. 917. 277430

### BRIGGS & STRATTON ENGINE - - MODEL NUMBER 407577, TYPE NUMBER 0288-E1

KEY NO.	PART NO.	DESCRIPTION	KEY NO.	PART NO.	DESCRIPTION
1	699751	Cylinder Assembly	133	694914	Float-Carburetor
2	499585	Kit-Bushing/Seal (Magneto Side)	137	698781	Ø Gasket-Float Bowl
3	391086	• Seal-Oil (Magneto Side)	141	699811	Kit-Choke Shaft
4	699747	Sump-Engine	146	690979	Key-Timing
5	693998	Head-Cylinder (Cylinder 1)	165	693148	Nut (Ring Gear)
5A	693999	Head-Cylinder (Cylinder 2)	187	699799	Line-Fuel (Cut to Required Length)
7	690962	•+ Gasket-Cylinder Head	187A	691049	Line-Fuel (Molded)
8	499601	Breather Assembly	188	691003	Screw (Control Bracket)
9	690937	• Gasket-Breather	192	690083	Adjuster-Rocker Arm
10	691108	Screw (Breather Assembly)	209	697674	Spring-Governor
11	690942	Tube-Breather	211	691019	Spring-Governed Idle
12	697227	• Gasket-Crankcase	212	699805	Link-Throttle
13	690360	Screw (Cylinder Head)	213	691021	Bracket-Choke Control
15	690946	Plug-Oil Drain	216	691022	Link-Choke
16	691046	Crankshaft	219	698231	Gear-Governor
20	690947	• Seal-Oil (PTO Side)	220	690412	Washer (Governor Lever)
22	694966	Screw (Engine Sump)	222	698757	Bracket-Control
23	691053	Flywheel	227	691048	Lever-Governor Control
24	222698	Key-Flywheel	231	690718	Screw (Choke Valve)
25	499588	Piston Assembly (Standard)	240	691035	Filter-Fuel
25	499590	Piston Assembly (.020" Oversize)	250	690957	Retainer-Breather
26	499604	Ring Set-Piston (Standard)	252	690956	Collector-Oil
26	499606	Ring Set-Piston (.020" Oversize)	265	691024	Clamp-Casing
27	690975	Lock-Piston Pin	267	695134	Screw (Casing Clamp)
28	690229	Pin-Piston	276	695410	Ø Washer-Sealing
29	499583	Rod-Connecting	287	691108	Screw (Dipstick Tube)
32	690976	Screw (Connecting Rod)	304	695277	Housing-Blower
33	499596	Valve-Exhaust	305	691005	Screw (Blower Housing)
34	499597	Valve-Intake	309	497595	Motor-Starter
35	690963	Spring-Valve (Intake)	310	690323	Bolt-Starter Motor
36	690963	Spring-Valve (Exhaust)	311	497608	Brush Set
42	499586	Keeper-Valve	332	691059	Nut (Flywheel)
45	690977	Tappet-Valve	333	691060	Armature-Magneto
46	699748	Camshaft	334	691061	Screw (Magneto Armature)
48	698177	Short Block	337	691043	Spark Plug
50	699801	Manifold-Intake	358	699823	Set-Engine Gasket
51	690949	• Ø ‡ Gasket-Intake	363	691062	Flywheel Puller
51A	699800	• Ø ‡ Gasket-Intake	383	690966	Wrench-Spark Plug
51B	699803	• Ø ‡ Gasket-Intake	385	691108	Screw (Fuel Pump)
53	690951	Stud (Carburetor)	387	808656	Pump-Fuel
54	699816	Screw (Intake Manifold)	404	690442	Washer (Governor Crank)
73	691055	Screen-Rotating	405	697820	Screw (Back Plate)
74	698425	Screw (Rotating Screen)	445	499486	Filter-Air Cleaner Cartridge
75	691056	Washer (Flywheel)	447	691003	Screw (Air Guide Cover)
89	690283	Plug-Oil	447A	691108	Screw (Air Guide Cover)
98	699721	Kit-Idle Speed			
104	694918	Ø Pin-Float Hinge			
105	698537	Ø Valve-Float Needle			
108	699808	Valve-Choke			
117	698784	Ø Jet-Main (Standard)			
118	699820	Jet-Main (High Altitude)			
121	699814	Kit-Carburetor Overhaul			
122	699802	Spacer-Carburetor			
125	699807	Carburetor			
127	698810	Plug-Welch			
130	699809	Valve-Throttle			
131	699812	Kit-Throttle Shaft			

- Included in Engine Gasket Set, Key. No. 358
- Ø Included in Carburetor Overhaul Kit, Key. No. 121
- ‡ Included in Carburetor Gasket Set, Key. No. 977
- + Included in Valve Gasket Set, Key. No. 1095

**NOTE:** All component dimensions given in U.S. inches 1 inch = 25.4 mm

# REPAIR PARTS

## TRACTOR- -MODEL NO. 917. 277430

### BRIGGS & STRATTON ENGINE - - MODEL NUMBER 407577, TYPE NUMBER 0288-E1

KEY NO.	PART NO.	DESCRIPTION	KEY NO.	PART NO.	DESCRIPTION
467	691008	Knob-Air Cleaner	918	694000	Hose-Vacuum
474	696458	Alternator	943	690589	• Seal-O Ring (Oil Pump Cover)
501	691185	Regulator	965	499613	Cover-Oil Pump
505	691029	Nut (Governor Control Lever)	967	273638	Filter-Pre Cleaner
510	497606	Drive-Starter	968	790095	Cover-Air Cleaner
513	692024	Clutch-Drive	975	699502	Bowl-Float
523	691036	Dipstick	977	699815	Gasket Set-Carburetor
524	691032	• Seal-Dipstick Tube	987	699813	Ø Seal-Throttle Shaft
525	691037	Tube-Dipstick	1005	499603	Fan-Flywheel
526	691108	Screw (Regulator)	1013	690954	Nipple-Oil Filter
544	692034	Armature-Starter	1017	690770	Screen-Oil Pump
552	690552	Bushing-Governor Crank	1019	790094	Kit-Label
552A	690553	Bushing-Governor Crank	1022	690971	•+ Gasket-Rocker Cover
562	690311	Bolt (Governor Control Lever)	1023	499599	Cover-Rocker (Cylinder 1)
573	691009	Plate-Back	1023A	499600	Cover-Rocker (Cylinder 2)
601	691038	Clamp-Hose	1024	499054	Pump-Oil
615	698290	Retainer-Governor Shaft	1026	690981	Rod-Push (Steel)
616	691045	Crank-Governor	1026A	690982	Rod-Push (Aluminum)
628	691108	Screw (Fuel Pump Bracket)	1027	492932	Filter-Oil
633	695414	Ø Seal-Choke/Throttle Shaft	1029	690972	Arm-Rocker
635	66538	Boot-Spark Plug	1035	691042	Shaft-Pump
654	690958	Nut (Carburetor)	1036	695704	Label-Emission
668	691215	Spacer	1051	691265	Ring-Retaining
691	690657	• Seal-Governor Shaft	1054	280275	Tie-Cable
695	693149	Screw (Ring Gear)	1058	275475	Owner's Manual
697	690372	Screw (Drive Cap)	1070	690372	Screw (Flywheel Fan)
703	691010	Clip	1090	691293	Retainer-Brush
718	690959	Pin-Locating	1095	699822	Kit-Valve Overhaul
726	499612	Gear-Ring	1100	690973	Pivot-Rocker Arm
741	690980	Gear-Timing	1119	691183	Screw (Alternator)
742	690328	Retainer-E Ring	1127	690992	Screw (Float Bowl)
750	696999	Screw (Oil Pump Cover)	1329	407577-0027	Replacement Engine (Transfer the Governor Spring and Speed Limiter Bracket)
783	693058	Gear-Pinion			Repair Manual
788	691039	Bracket-Fuel Pump	1330	273521	
789	698330	Harness-Wiring			
797	691029	Nut (Brush Retainer)			
797A	693167	Nut (Brush Retainer)			
798	697890	Screw (Rocker Arm)			
801	691283	Cap-Drive			
802	691286	Cap-End			
803	693757	Housing-Starter			
842	691031	• Seal-Dipstick/Tube			
847	499602	Dipstick/Tube Assembly			
851	493880	Terminal-Spark Plug			
865	691012	Cover-Air Guide			
865A	691014	Cover-Air Guide			
865B	691015	Cover-Air Guide			
868	690968	•+ Seal-Valve			
914	691127	Screw (Rocker Cover)			

- Included in Engine Gasket Set, Key. No. 358
- Ø Included in Carburetor Overhaul Kit, Key. No. 121
- ‡ Included in Carburetor Gasket Set, Key. No. 977
- + Included in Valve Gasket Set, Key. No. 1095

**NOTE:** All component dimensions given in U.S. inches 1 inch = 25.4 mm