

**REPAIR PARTS MANUAL**  
**MODEL NO. 277600**  
**Lawn Tractor**

---

**CRAFTSMAN®**

# HOW TO USE THIS MANUAL

This manual is designed to provide the customer with a means to identify the parts on his/her tractor when ordering repair parts. The illustrations may or may not represent the actual assemblies; therefore, it is not recommended to use this manual as a guide to assemble or disassemble the tractor. Some hardware and parts are drawn larger in order to more readily identify them.

Each tractor has its own model number.

The model number for your tractor can be found on the fender under the seat.

When ordering parts, always give the following information:

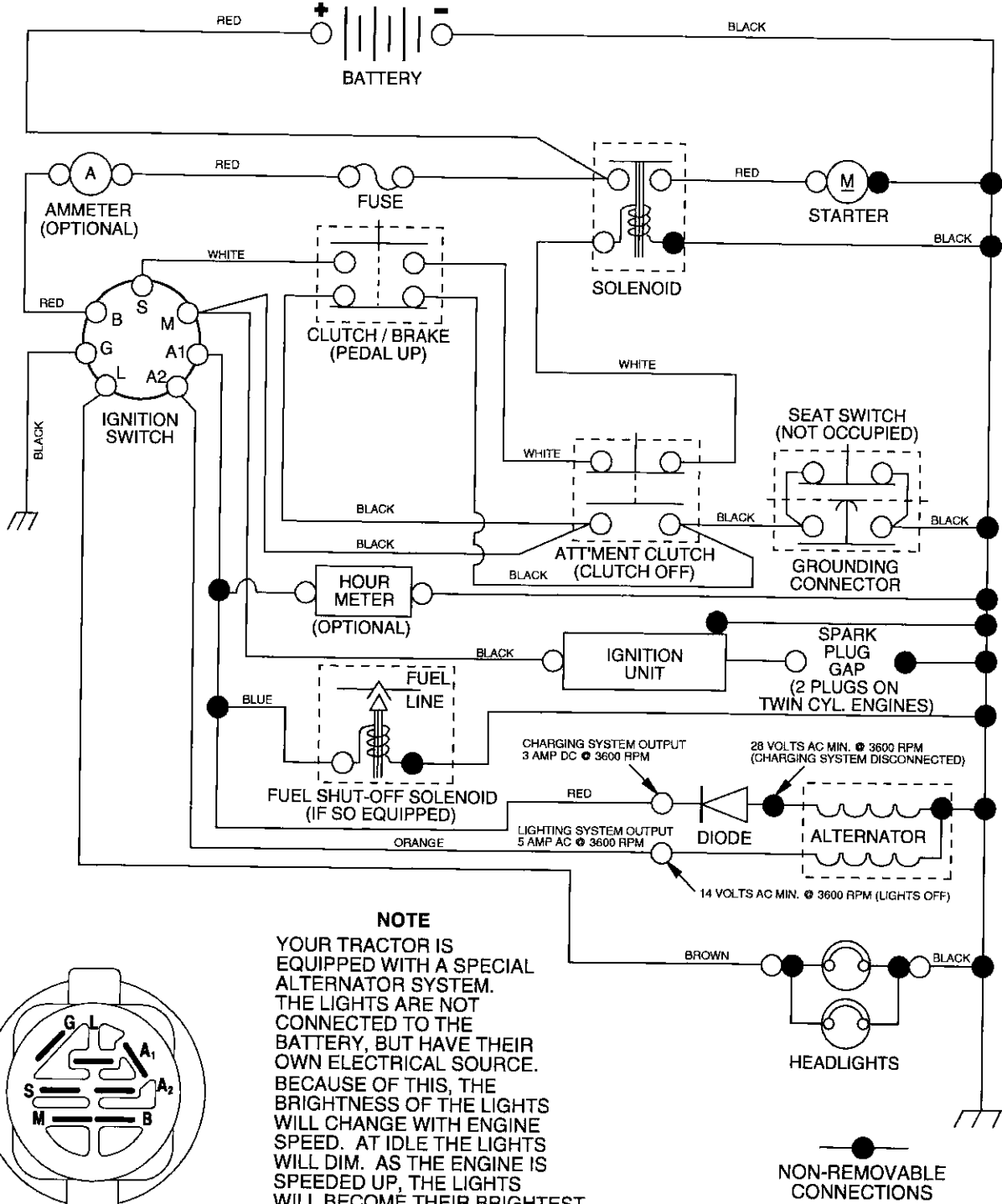
- Product - "Tractor"
- Model Number - "277600"
- Part Number
- Part Description

## TABLE OF CONTENTS

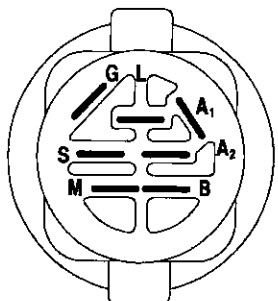
<b>SCHEMATIC .....</b>	<b>3</b>
<b>ELECTRICAL.....</b>	<b>4-5</b>
<b>CHASSIS.....</b>	<b>6-7</b>
<b>DRIVE.....</b>	<b>8-9</b>
<b>STEERING .....</b>	<b>10-11</b>
<b>SEAT .....</b>	<b>12</b>
<b>DECALS.....</b>	<b>13</b>
<b>ENGINE.....</b>	<b>14-15</b>
<b>MOWER LIFT .....</b>	<b>16-17</b>
<b>MOWER DECK .....</b>	<b>18-19</b>
<b>TRANSAXLE.....</b>	<b>20-21</b>
<b>ENGINE BREAKDOWN.....</b>	<b>22-26</b>
<b>WARRANTY.....</b>	<b>27</b>

# TRACTOR--MODEL NO. 917. 277600

## SCHEMATIC



**NOTE**  
 YOUR TRACTOR IS EQUIPPED WITH A SPECIAL ALTERNATOR SYSTEM. THE LIGHTS ARE NOT CONNECTED TO THE BATTERY, BUT HAVE THEIR OWN ELECTRICAL SOURCE. BECAUSE OF THIS, THE BRIGHTNESS OF THE LIGHTS WILL CHANGE WITH ENGINE SPEED. AT IDLE THE LIGHTS WILL DIM. AS THE ENGINE IS SPEEDED UP, THE LIGHTS WILL BECOME THEIR BRIGHTEST.



**IGNITION SWITCH**

POSITION	CIRCUIT	"MAKE"
OFF	M+G+A1	NONE
RUN/LIGHT	B+A1	A2+L
RUN	B+A1	NONE
START	B + S + A1	NONE

**WIRING INSULATED CLIPS**  
**NOTE:** IF WIRING INSULATED CLIPS WERE REMOVED FOR SERVICING OF UNIT, THEY SHOULD BE REPLACED TO PROPERLY SECURE YOUR WIRING.

02363

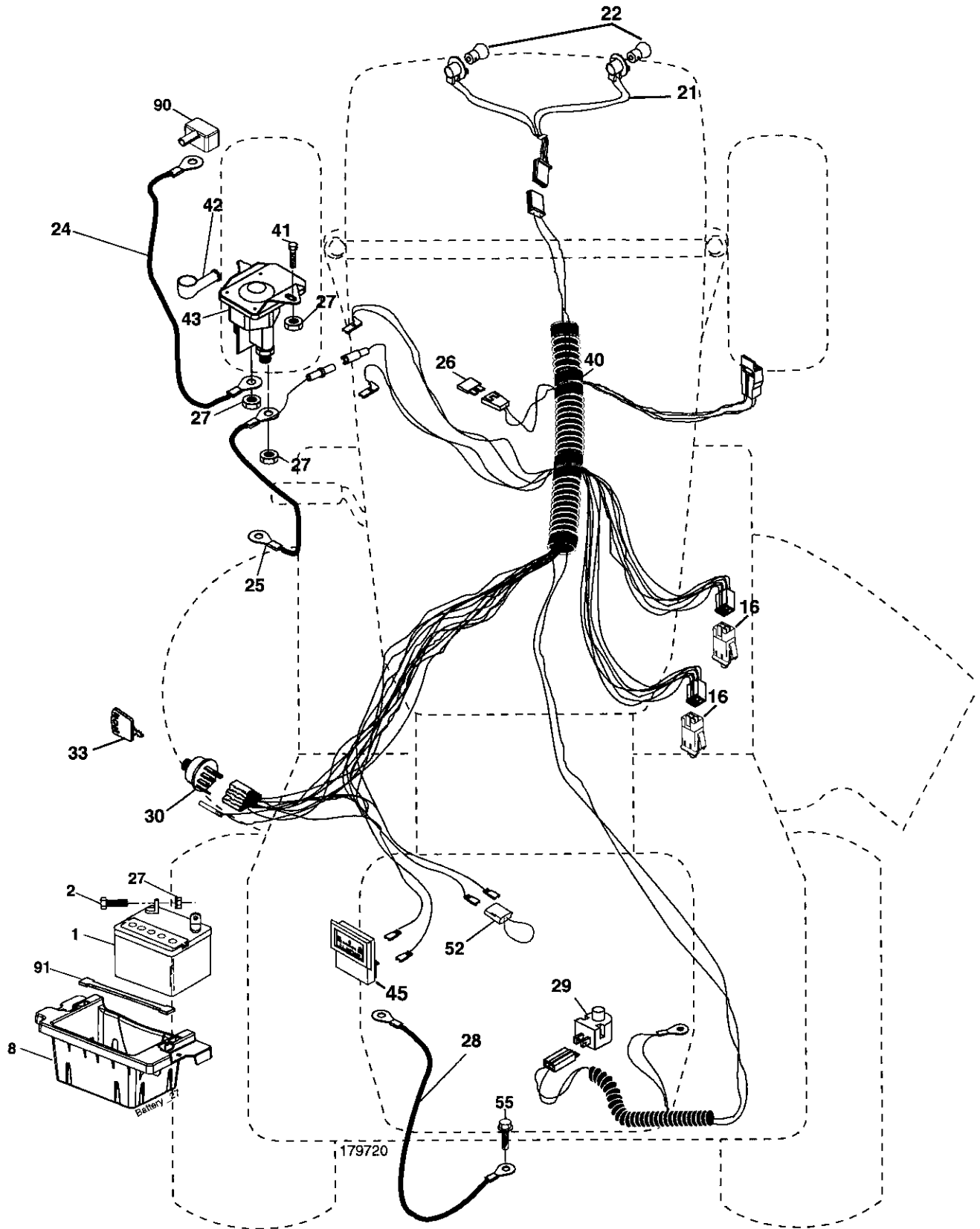
NON-REMOVABLE CONNECTIONS

REMOVABLE CONNECTIONS

# REPAIR PARTS

TRACTOR- -MODEL NO. 917. 277600

## ELECTRICAL



# REPAIR PARTS

## TRACTOR- -MODEL NO. 917. 277600

### ELECTRICAL

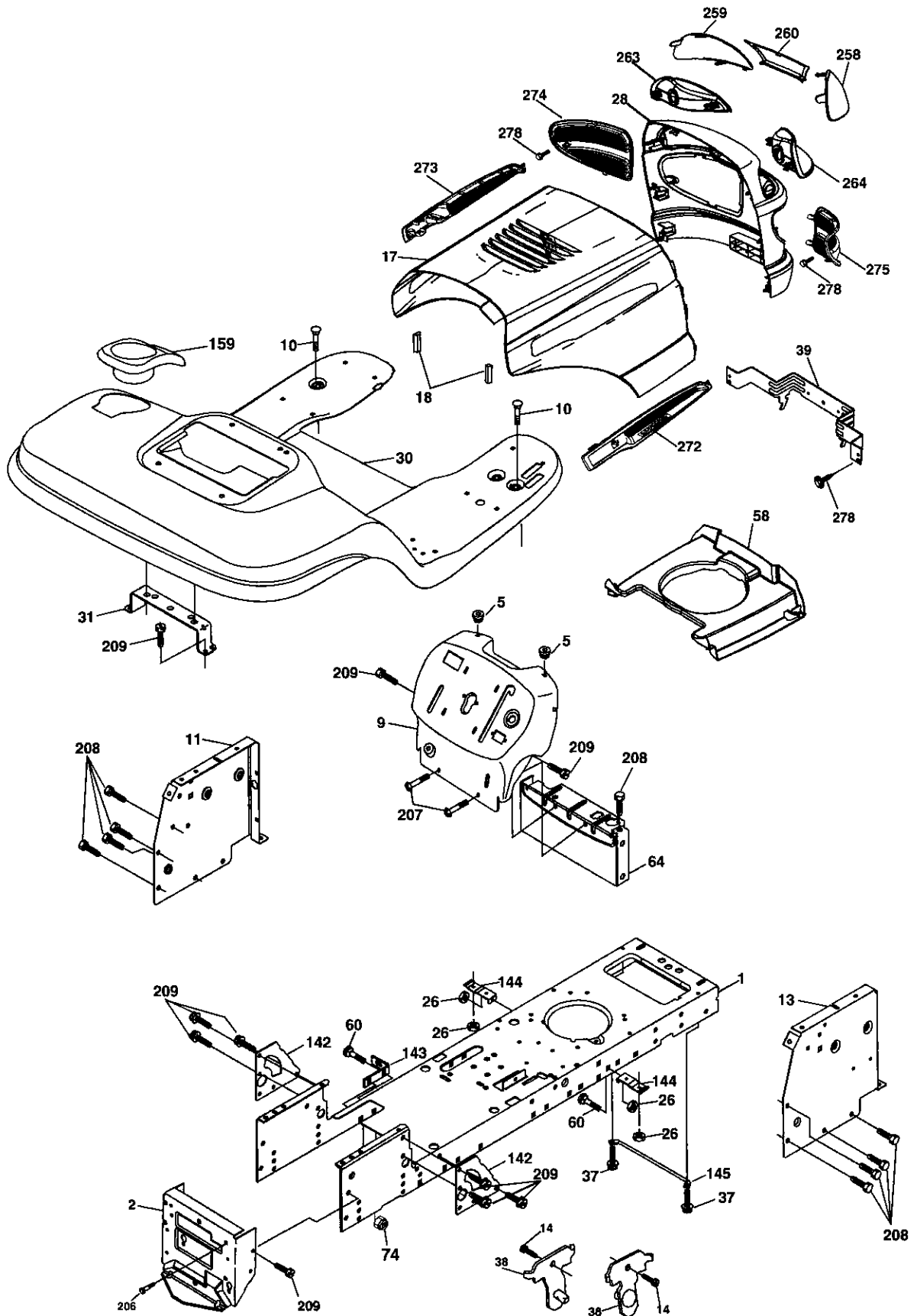
KEY NO.	PART NO.	DESCRIPTION
1	144927	Battery
2	74760412	Bolt Hex Hd 1/4-20 unc x 3/4
8	186491	Box Battery
16	176138	Switch, Interlock
21	183759	Harness Light Socket (W/4152j)
22	4152J	Bulb Light #1156
24	4799J	Cable Battery
25	146148	Cable Battery
26	175158	Fuse
27	73510400	Nut Keps Hex 1/4-20 unc
28	145491	Cable Ground
29	121305X	Switch Seat
30	175566	Switch Ign
33	140403	Key Molded Craftsman
40	179720	Harness Ign
41	71110408	Bolt Blk. Fin Hex 1/4-20 unc x 1/2
42	131563	Cover Terminal
43	192507	Solenoid
45	121433X	Ammeter Rectangular 6 Amp
52	141940	Protection Wire Loop
55	17490508	Screw Thdrol 5/16-18 x 1/2
90	180449	Cover Terminal Battery
91	190270	Strap Battery

**NOTE:** All component dimensions give in U.S. inches  
1 inch = 25.4 mm

# REPAIR PARTS

TRACTOR- -MODEL NO. 917. 277600

## CHASSIS AND ENCLOSURES



chassis-Laser -lt.stlt\_46

# REPAIR PARTS

## TRACTOR- -MODEL NO. 917. 277600

### CHASSIS AND ENCLOSURES

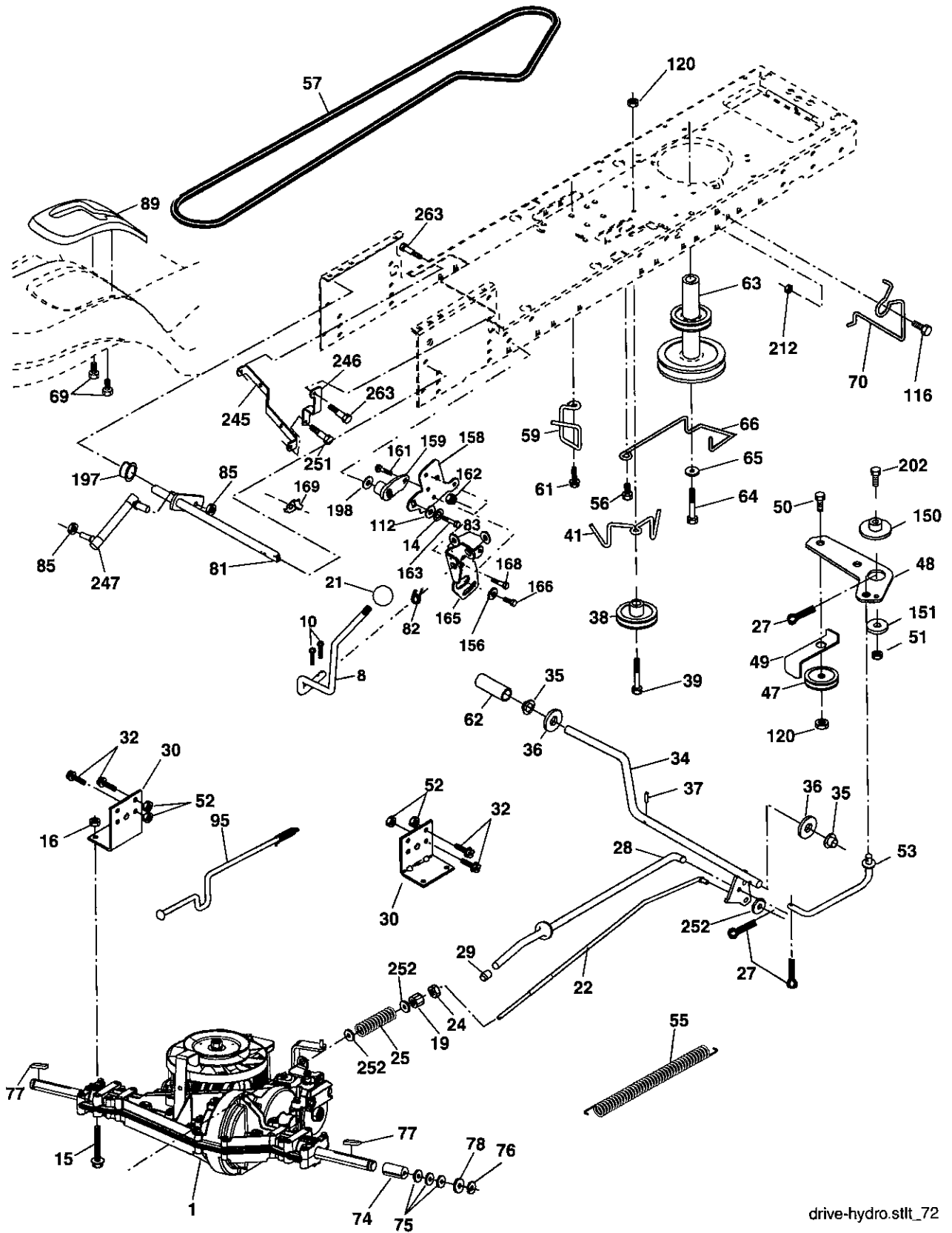
KEY NO.	PART NO.	DESCRIPTION
1	174619	Chassis Assembly
2	176554	Drawbar
5	155272	Bumper Hood/Dash
9	193511X014	Dash
10	STD533710	Bolt, Carriage 3/8-16 x 1
11	174996	Panel, Dash, L.H.
13	172105X010	Panel, Dash, R.H.
14	17490608	Screw Thdrol 3/8-16 x 1/2
17	184272X615	Hood
18	184921	Bumper Hood
26	STD541437	Locknut, Hex, with Insert 3/8-16 unc
28	184259	Grille (Includes Key #'s 258-260, 263, 264, 274, 275)
30	192393X615	Fend/Ftrest
31	139976	Bracket, Fender Support
37	17490508	Screw Thdrol 5/16-18 x 1/2
38	175710	Pivot Bracket Assembly
39	174714	Bracket Pivot Laser Lt
58	187145	Air Duct
60	STD533707	Bolt Rdhd Sqnk 3/8-16 unc x 3/4
64	154798	Dash Lower STLT
74	STD541437	Nut Crownlock 3/8-16 unc
142	175702	Plate Reinforcement STLT
143	186689	Bracket Swaybar Chassis
144	175582	Bracket Pnt Footrest STLT
145	156524	Rod Pivot Chassis/Hood
159	155123X428	Cupholder Blk
206	170165	Bolt Shoulder 5/16-18 TT
207	17670508	Screw Thdrol 5/16-18 x 1/2
208	17670608	Screw Thdrol 3/8-16 x 1/2
209	17000612	Screw Hex Wsh Thrd 3/8-16 x 3/4
222	171875	Screw Hi-Lo #13-16 x 5/8
258	184264X599	Lens RH Laser III
259	184263X599	Lens LH Laser III
260	184262X428	Cover Lens
263	184265	Bezel Grille LH
264	184266	Bezel Grille RH
272	185923X428	Vent Hood Laser III RH
273	185922X428	Vent Hood Laser III LH
274	184260X428	Insert Grille LH
275	184261X428	Insert Grille RH
278	191611	Screw 10 x 3/4 Single Lead Hex
--	5479J	Plug Button
--	193985	Plug Light Blk

**NOTE:** All component dimensions give in U.S. inches  
1 inch = 25.4 mm

# REPAIR PARTS

TRACTOR- -MODEL NO. 917. 277600

## DRIVE



drive-hydro.stlt\_72



# REPAIR PARTS

## TRACTOR- -MODEL NO. 917. 277600

### DRIVE

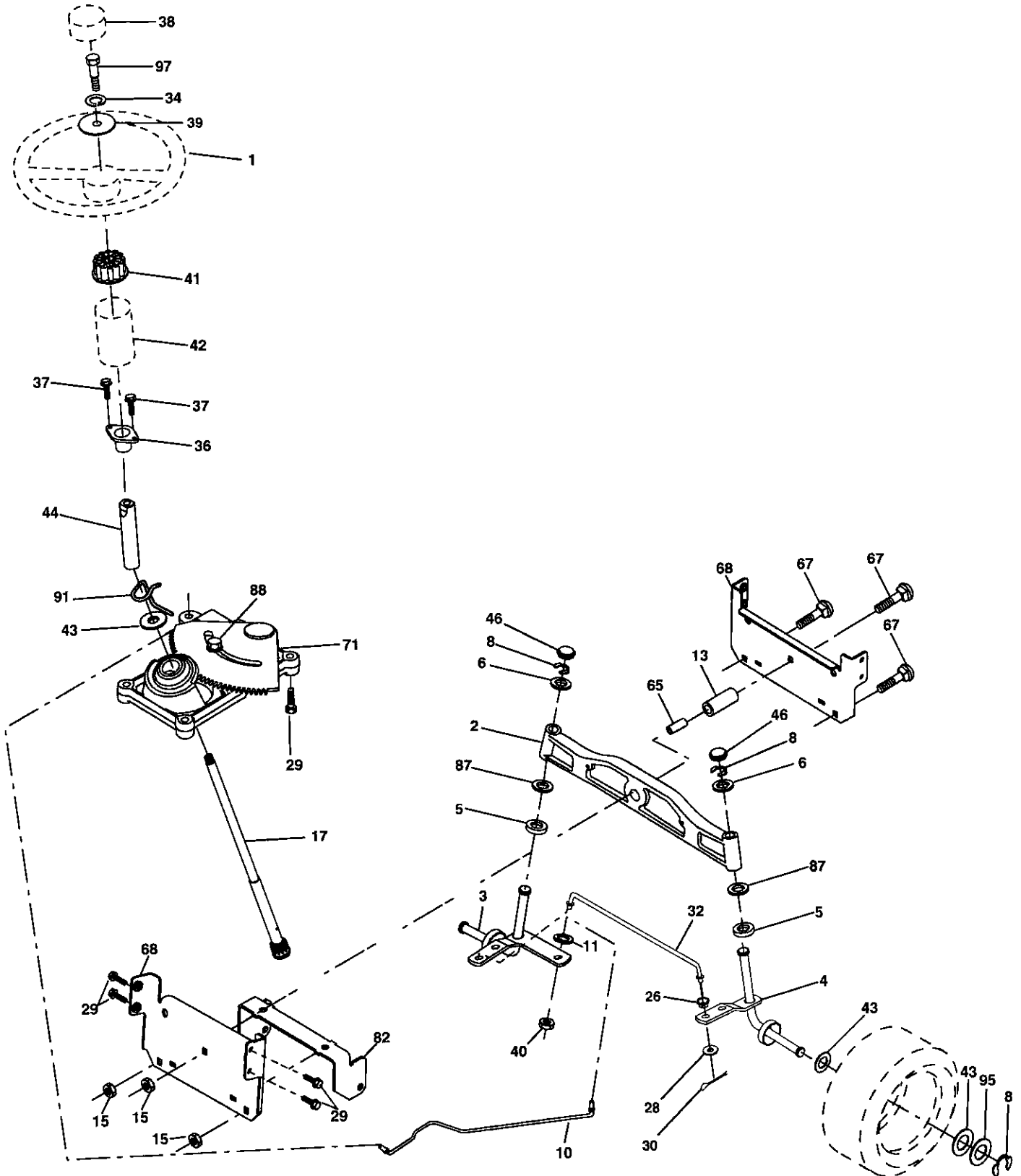
KEY NO.	PART NO.	DESCRIPTION	KEY NO.	PART NO.	DESCRIPTION
1	-----	Transaxle (See Breakdown)	66	154778	Keeper, Belt, Engine, Fool-Proof
8	192502	Rod Shifter Fender STLT	69	142432	Screw Hi-Lo 1/4 x 1/2
10	STD561210	Pin, Cotter	70	180218	Guide, Mower Drive Belt, R.H.
14	10040400	Washer Lock Hvy Helical	74	137057	Spacer, Axle
15	74490544	Bolt, Hex Flghd 5/16-18 Gr. 5	75	121749X	Washer 25/32 x 1-1/4 x 16 Ga.
16	73800500	Nut Lock Hx w/ins 5/16-18 Unc PL	76	STD581075	E-Ring
19	STD541437	Nut	77	123583X	Key, Square 2.0 x .1845/.1865
21	130564	Knob	78	121748X	Washer 25/32 x 1-5/8 x 16 Ga.
22	178141	Rod, Brake	81	178139	Shaft Asm Cross
24	STD541237	Nut	82	165711	Spring, Torsion
25	106888X	Spring, Brake Rod	83	19171216	Washer 17/32 x 3/4 x 16 Ga.
27	STD561210	Pin	85	150360	Nut, Centerlock 1/4-28 Fine
28	175765	Rod, Parking Brake	89	192387X428	Console, Shift, STLT
29	71673	Cap, Parking Brake	95	181462	Link Shift
30	169592	Bracket, Transaxle	112	19091210	Washer 9/32 x 3/4 x 10 Ga.
32	STD523107	Bolt	116	72140608	Bolt Rdhd Sqneck 3/8-16 x 1
34	175578	Shaft Assembly, Foot Pedal	120	73900600	Nut Lock Flg. 3/8-16
35	120183X	Bearing, Nylon	150	175456	Spacer Retainer
36	STD551062	Washer	151	19133210	Washer 13/32 x 2 x 10 Ga.
37	STD571810	Roll Pin	156	166002	Washer Srrted 5/16 ID x 1.125
38	179114	Pulley, Composite	158	165589	Bracket Shift Mount
39	72110622	Bolt, Fin Hex 3/8-16 x 2-3/4	159	183900	Hub Shift
41	175556	Keeper, Belt, Idler	161	72140406	Bolt Rdhd Sqnk 1/4-20 x 3/4 Gr.5
47	127783	Pulley, Idler, V-Groove, Plastic	162	73680400	Nut Crownlock 1/4-20 unc
48	154407	Bellcrank Clutch Grnd Drv Stl	163	74780416	Bolt Hex Fin 1/4-20 unc x 1 Gr. 5
49	123205X	Retainer, Belt	165	165623	Bracket Pivot Lever
50	72110612	Bolt Carr Sh 3/8-16 x 1-1/2 Gr. 5	166	17490510	Screw 5/16-18 x 5/8
51	STD541437	Nut Crown Lock 3/8-16 unc	168	165492	Bolt Shoulder 5/16-18 x .561
52	STD541431	Nut Crown Lock 5/16-18 unc	169	165580	Plate Fastening Lt
53	105710X	Link, Clutch	197	169613	Nyliner Snap-In
55	105709X	Spring, Clutch Return	198	169593	Washer Nyliner
56	17060620	Screw 3/8-16 x 1-1/4	202	72110614	Bolt Carr. SH 3/8-16 x 1-3/4 Gr. 5
57	178138	V-Belt	212	145212	Nut Hex Flg. Lock
59	169691	Keeper, Belt, Center Span	245	178122	Strap Torque LH
61	17120614	Screw 3/8-16 x .875	246	178121	Strap Torque RH
62	8883R	Cover, Pedal	247	178134	Disconnect Asm. Rod Bypass
63	180219	Pulley, Engine	251	17060516	Screw 5/16-18 x 1
64	173937	Bolt, Hex 7/16-20 x 4 Gr. 5	252	19131616	Washer 13/32 x 1 x 16 Ga.
65	STD551143	Washer	263	17000612	Screw Thdrol 3/8-16 x 3/4

**NOTE:** All component dimensions give in U.S. inches  
1 inch = 25.4 mm

# REPAIR PARTS

TRACTOR- -MODEL NO. 917. 277600

## STEERING ASSEMBLY



steering\_pl.it\_57

# REPAIR PARTS

## TRACTOR- -MODEL NO. 917. 277600

### STEERING ASSEMBLY

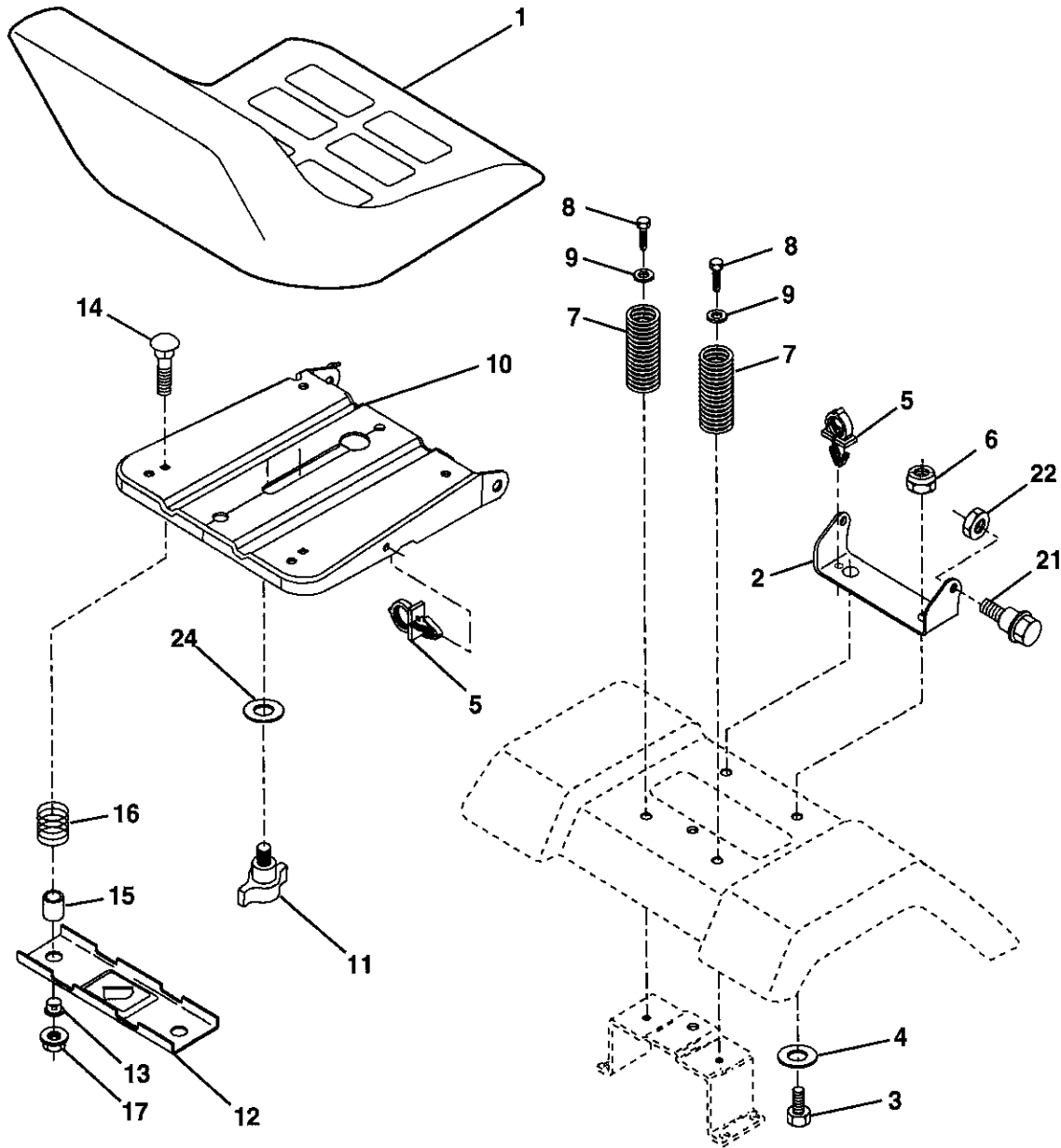
KEY NO.	PART NO.	DESCRIPTION
1	186093X428	Steering Wheel
2	184706	Axle Assembly
3	169840	Spindle Assembly, L.H.
4	169839	Spindle Assembly, R.H.
5	6266H	Bearing, Race, Thrust, Hardened
6	121748X	Washer 25/32 x 1-5/8 x 16 Ga.
8	12000029	Ring, Klip
10	175121	Draglink
11	STD551137	Washer, Lock
13	136518	Spacer, Bearing, Axle
15	145212	Nut, Hexflange Lock
17	190753	Shaft Assembly, Steering
26	126847X	Bushing, Link, Drag
28	19131416	Washer 13/32 x 7/8 x 16 Ga.
29	17000612	Screw 3/8-16 x 3/4
30	STD561210	Pin
32	192757	Rod, Tie
34	10040500	Washer Lock Hvy 5/16
36	155099	Bushing, Steering
37	152927	Screw
38	186095X428	Insert, Steering Wheel
39	19113812	Washer 11/32 x 2-3/8 x 12 Ga.
40	73540600	Crownlock Nut 3/8-24
41	186737	Adaptor, Steering Wheel
42	145054X428	Boot, Steering Shaft
43	121749X	Washer 25/32 x 1-1/4 x 16 Ga.
44	190752	Extension Shaft Steering
46	184946X505	Cap, Spindle
65	160367	Spacer Brace Axle
67	72110608	Bolt RDHD SQNK 3/8-16 x 2-1/4
68	169827	Axle, Brace
71	175146	Steering Asm
82	169835	Bracket Susp Chassis Front
87	173966	Washer .781 x 1-1/2 x .14
88	175118	Bolt shoulder 7/16-20
91	175553	Clip Steering
95	188967	Washer Hardened
97	74780564	Bolt 5/16-18 x 4 x Gr. 5

**NOTE:** All component dimensions given in U.S. inches  
1 inch = 25.4 mm

# REPAIR PARTS

TRACTOR- -MODEL NO. 917. 277600

## SEAT ASSEMBLY



seat\_lt.knob\_17

KEY NO.	PART NO.	DESCRIPTION
1	188719	Seat
2	140551	Bracket Pivot Fender
3	71110616	Bolt Fin Hex 3/8-16 unc x 1
4	19131610	Washer 13/32 x 3/4 x 10 Ga.
5	145006	Clip Push In Hinged
6	STD541437	Nut Hex Lock w/Ins 3/8-16 unc
7	124181X	Spring Seat Cprsn 2 250 Blk Zi
8	17000616	Screw 3/8-16 x 1.5 SMGML
9	19131614	Washer 13/32 x 1 x 14 Ga.
10	182493	Pan Pnt Seat (blk )
11	166369	Knob Seat
12	121246X	Bracket Pnt Mounting Switch

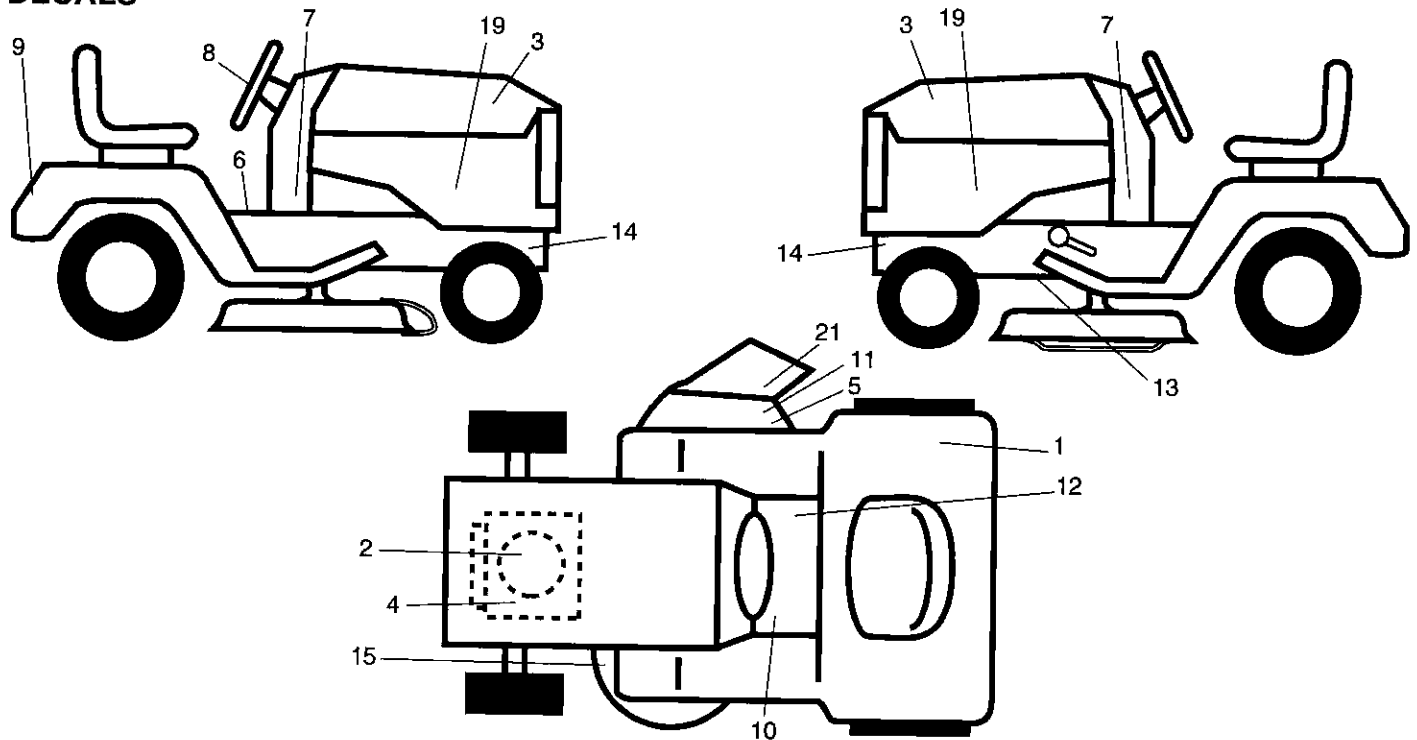
KEY NO.	PART NO.	DESCRIPTION
13	121248X	Bushing Snap Blk Nyl 50 Id
14	72050412	Bolt Rdhd Sht Nk 1/4-20 x 1-1/2
15	134300	Spacer Split 28 x 96 Zinc
16	121250X	Spring Cprsn 1 27 Blk Pnt
17	123976X	Nut Lock 1/4 Lge Flg Gr. 5 Zinc
21	171852	Bolt Shoulder 5/16-18 unc-2A
22	STD541431	Nut Hex Lock w/Ins 5/16-18
24	19171912	Washer 17/32 x 1-3/16 x 12 Ga.

**NOTE:** All component dimensions given in U.S. inches  
1 inch = 25.4 mm

# REPAIR PARTS

## TRACTOR- -MODEL NO. 917. 277600

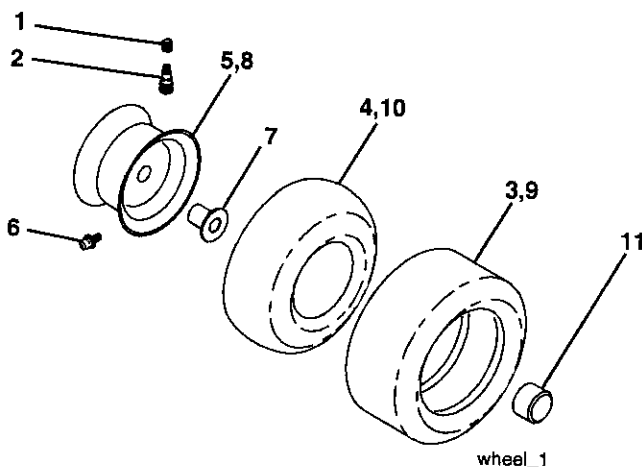
### DECALS



KEY NO.	PART NO.	DESCRIPTION
1	180432	Decal, Fender DBA
2	197685	Decal, Engine
3	186366	Decal, Hood, R.H.
4	196841	Decal, Engine Wrng Sym
5	196357	Decal, Dfct Warning
6	145498	Decal, Read Owner's Manual
7	189086	Decal, Lower Dash
8	164065	Decal, Strng Whl
9	186572	Decal, Fender, Craftsman
10	159737	Decal, Brake/Clutch Symbol
11	182166	Decal, Cutfinger
12	140837	Decal, Brake Parking Saddle
13	197490	Decal, V-Belt Dr Sch Tractor
14	159736	Decal, Hot Muffler

KEY NO.	PART NO.	DESCRIPTION
15	160396	Decal, Mower Drive Schematic
19	186367	Decal, Side Panel
21	179128	Decal, Deck
22	145005	Decal, Battery
--	162598	Decal, Load Limit
--	138311	Decal, Lift Handle
--	178392	Decal, Chass Disconnect
--	184310X428	Pad Footrest LH STLT
--	184311X428	Pad Footrest RH STLT
--	197756	Operator's Manual (Euro)
--	197757	Operator's Manual (Scand)
--	197758	Manual Parts

### WHEELS & TIRES



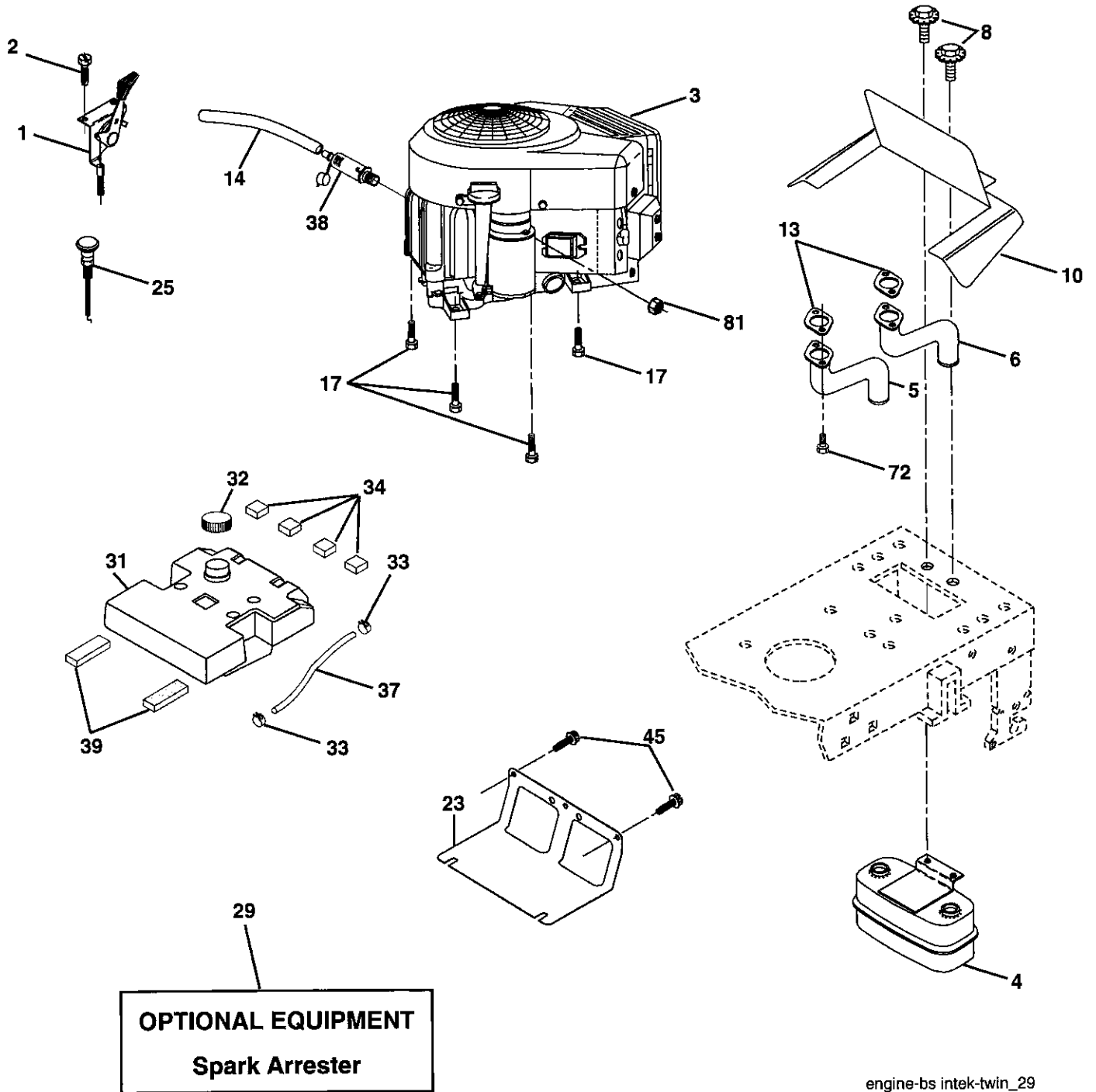
KEY NO.	PART NO.	DESCRIPTION
1	59192	Valve Cap, Tire
2	65139	Stem, Valve
3	106222X	Tire, Front
4	59904	Tube, Front Tire (Not Provided, Service Item Only)
5	106732X624	Rim, Front
6	278H	Fitting, Grease (Front Wheel Only)
7	9040H	Bearing, Flange (Front Wheel Only)
8	106108X624	Rim, Rear
9	138468	Tire, Rear
10	7152J	Tube, Rear Tire (Not Provided, Service Item Only)
11	104757X428	Cap, Axle
--	144334	Sealant, Tire 10 oz.

**NOTE:** All component dimensions given in U.S. inches  
1 inch = 25.4 mm

# REPAIR PARTS

TRACTOR- -MODEL NO. 917. 277600

## ENGINE



# REPAIR PARTS

## TRACTOR- -MODEL NO. 917. 277600

### ENGINE

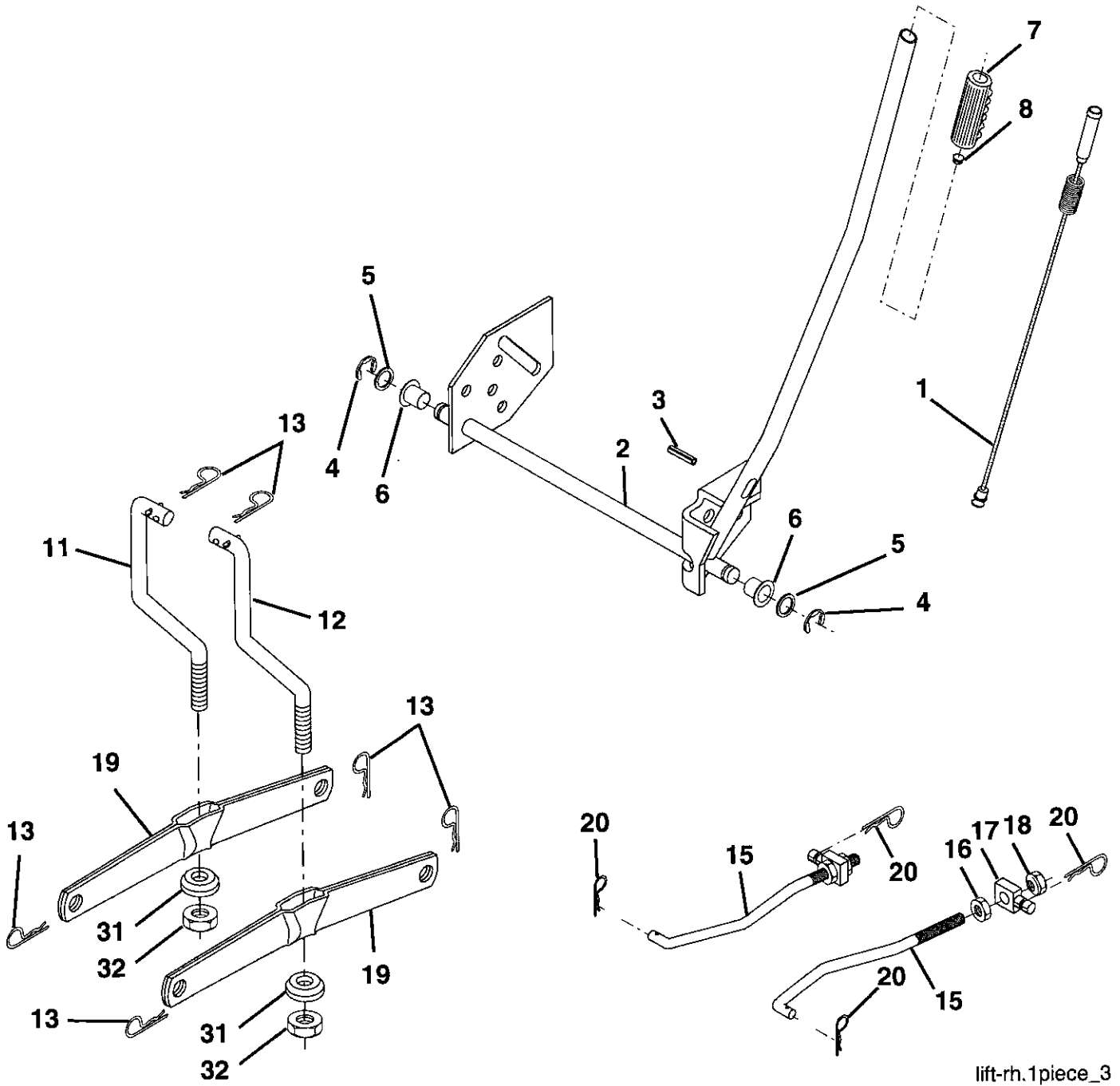
KEY NO.	PART NO.	DESCRIPTION
1	170546	Control, Throttle Paddle
2	17720408	Screw, Hex Thd Cut 1/4-20 x 1/2
3	-----	Engine, B&S, (See Breakdown) No. 445577-0504-E1
4	149723	Muffler Exhaust
5	159955	Exhaust Asm. Left
6	160589	Exhaust Asm. Right
8	171877	Bolt 5/16-18 unc x 3/4 W/Sems
10	146629	Shield Browning
13	165391	Gasket, Muffler
14	148456	Tube Drain Oil Easy
17	17060624	Screw 3/8-16 x 1-1/2
23	169837	Shield, Brn/Dbr Guard
25	187766X428	Control Choke
29	137180	Arrestor, Spark
31	157103	Tank, Fuel
32	161696	Cap Fuel Guage
33	123487X	Clamp, Hose
34	106082X	Spacer Pad
37	8543R	Line, Fuel
38	181654	Plug, Oil Drain Easy
39	109227X	Pad Idler
45	17000612	Screw Hex Wsh 3/8-16 x 3/4
72	183906	Screw 5/16-18 x 1
81	73510400	Nut Keps Hex 1/4-20 Starter Nut

**NOTE:** All component dimensions given in U.S. inches  
1 inch = 25.4 mm

# REPAIR PARTS

TRACTOR- -MODEL NO. 917. 277600

## MOWER LIFT



lift-rh.1piece\_3



# REPAIR PARTS

TRACTOR- -MODEL NO. 917. 277600

MOWER LIFT

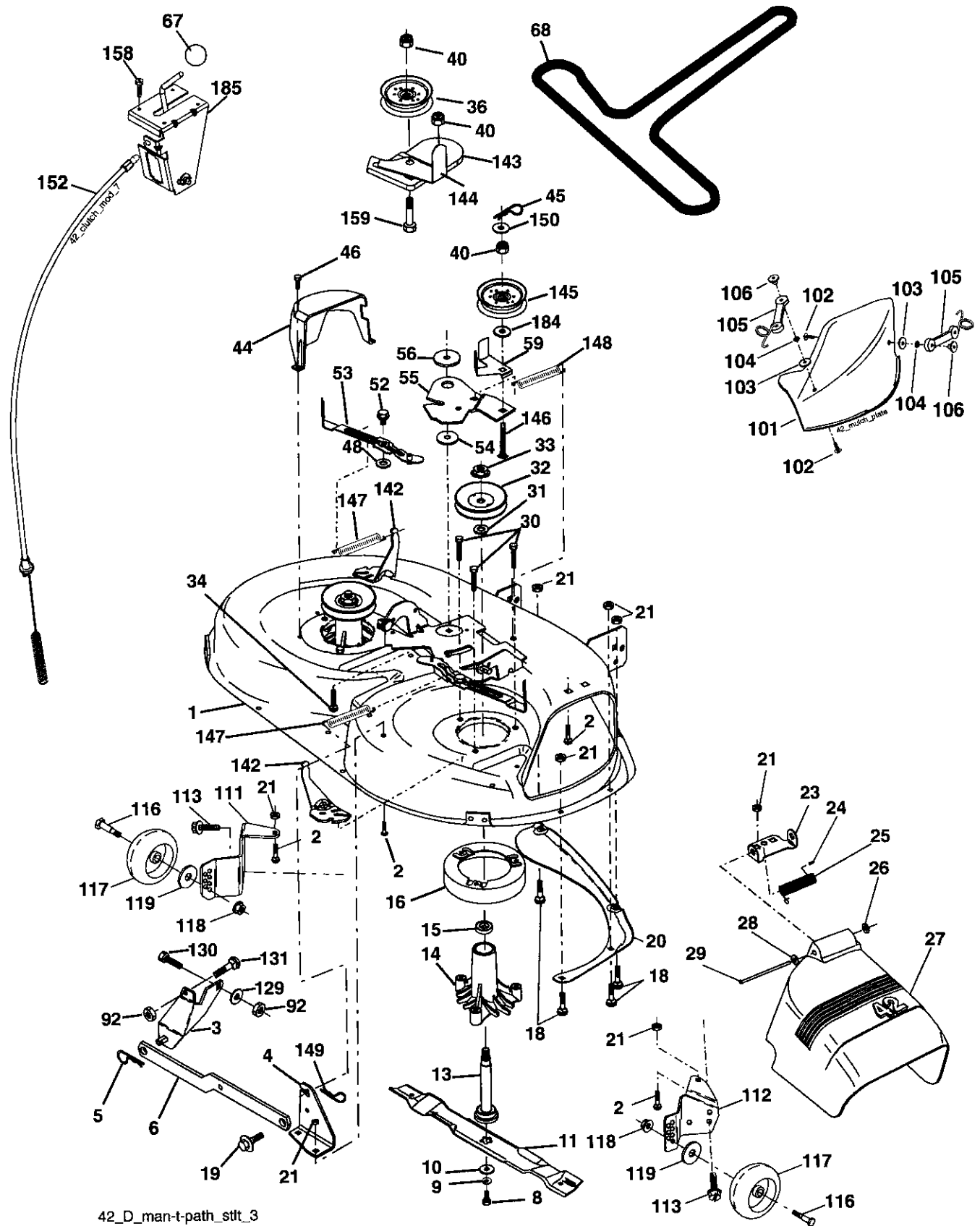
KEY NO.	PART NO.	DESCRIPTION
1	159460	Lift Lever Inner Wire Assembly
2	159471	Shaft Assembly, Lift
3	105767X	Pin, Groove
4	12000002	E-Ring
5	19211621	Washer 21/32 x 1 x 21 Ga.
6	120183X	Bearing, Nylon
7	125631X	Grip, Handle, Fluted
8	122365X	Button, Plunger, Red
11	139865	Link, Lift, L.H.
12	139866	Link, Lift, R.H.
13	STD624008	Retainer Spring
15	173288	Link, Front
16	73350800	Nut, Hex, Jam 1/2-13 unc
17	175689	Trunnion
18	73800800	Nut Lock w/Wsh 1/2-13 unc
19	139868	Arm, Suspension, Rear
20	163552	Retainer Spring
31	169865	Bearing, Pvt, Lift
32	73540600	Nut, Crownlock 3/8-24

**NOTE:** All component dimensions given in U.S. inches  
1 inch = 25.4 mm

# REPAIR PARTS

TRACTOR- -MODEL NO. 917. 277600

MOWER



42\_D\_man-t-path\_sttt\_3

# REPAIR PARTS

## TRACTOR- -MODEL NO. 917. 277600

### MOWER

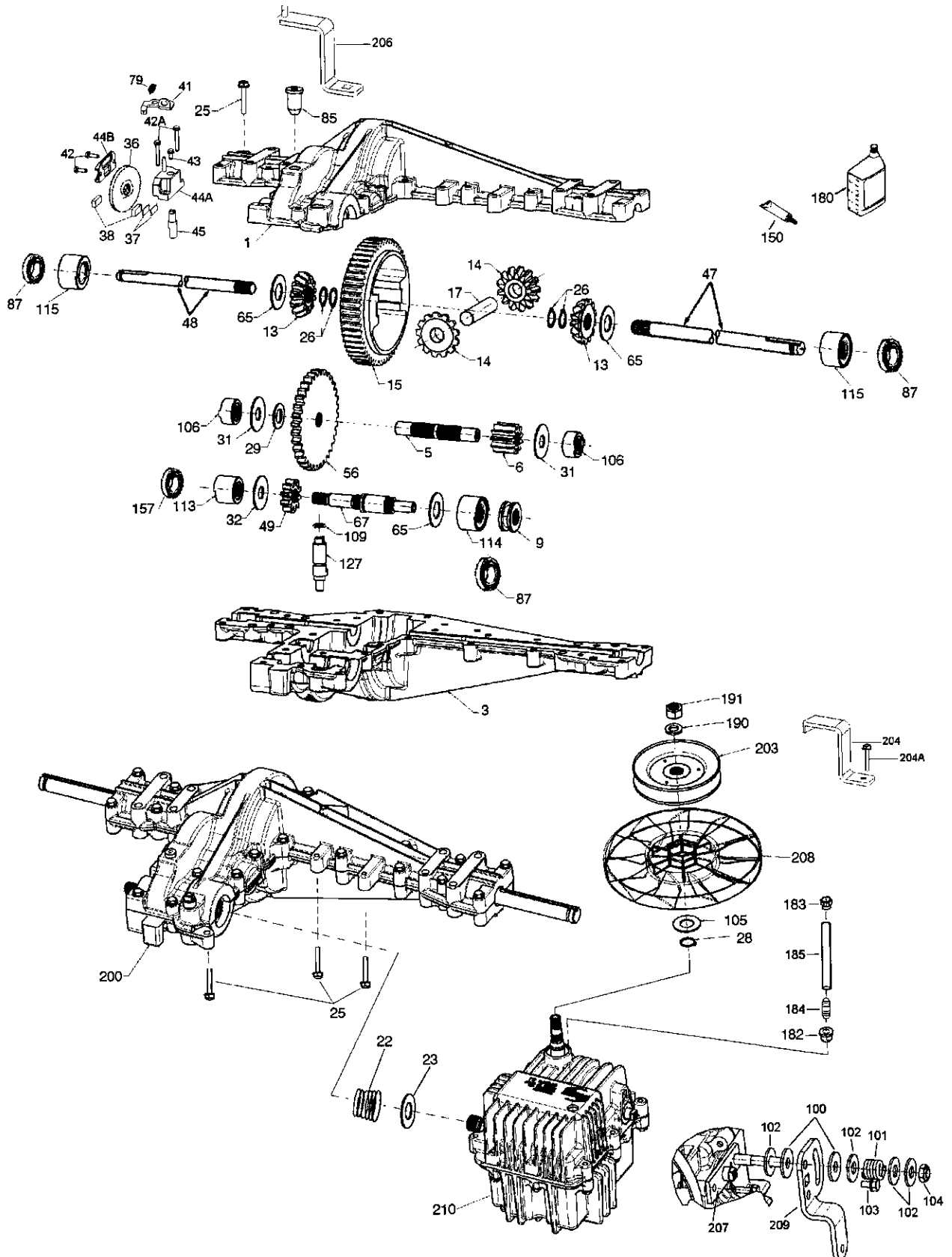
KEY NO.	PART NO.	DESCRIPTION	KEY NO.	PART NO.	DESCRIPTION
1	165892	Mower Deck Assembly, 42"	92	STD541437	Nut
2	STD533107	Bolt	101	136420	Mulcher Cover
3	138017	Bracket Assembly, Sway Bar, Front	102	71081010	Screw Pan HD Phillip 10-24 x 5/8
4	165460	Bracket Sway Bar 38/42" Deck	103	19061216	Washer #10
5	STD624008	Retainer Spring	104	STD551110	Washer, Lock
6	178024	Bar Sway Deck	105	160793	Latch Assembly, Bagger
8	850857	Bolt, Hex 3/8-24 x 1.25 Gr. 8	106	2029J	Nut, Weld
9	STD551137	Washer, Lock	111	179292	Bracket, Gauge, Wheel L.H.
10	140296	Washer, Hardened	112	179293	Bracket, Gauge, Wheel R.H.
11	134149	Blade, 42" Mulching Std.	113	17000510	Screw 5/16-18 x .625
13	137645	Shaft Assembly, Mandrel, Vented	116	4898H	Bolt, Shoulder
14	128774	Housing, Mandrel, Vented	117	188606	Wheel, Gauge
15	110485X	Bearing, Ball, Mandrel	118	73930600	Nut, Centerlock 3/8-16
16	174493	Stripper, Mower Deck	119	STD551037	Washer 3/8 x 7/8 x 14 Ga.
18	72140505	Bolt, Carriage 5/16-18 x 5/8	129	19131312	Washer 13/32 x 13/16 x 12 Ga.
19	132827	Bolt, Shoulder	130	STD523710	Bolt, Fin Hex 3/8-16 unc x 1 Gr. 5
20	159770	Baffle, Vortex	131	STD533710	Bolt, Rdhd Sqnk 3/8-16 unc x 1
21	STD541431	Nut Crownlock 5/16-18 unc	142	165890	Arm Spring Brake Mower
23	177563	Bracket, Deflector	143	157109	Bracket Arm Idler 42"
24	105304X	Cap, Sleeve	144	158634	Keeper Belt
25	123713X	Spring, Torsion, Deflector	145	165888	Pulley Idler Flat
26	110452X	Nut, Push	146	171977	Bolt Carriage Idler
27	130968X428	Shield, Deflector	147	179748	Spring Extension
28	19111016	Washer 11/32 x 5/8 x 16 Ga.	148	169022	Spring Return Idler
29	131491	Rod, Hinge	149	165898	Retainer Spring Yellow Zinc
30	173984	Screw Thdrol	150	19091210	Washer 9/32 x 3/4 x 10 Ga.
31	187690	Washer, Spacer	152	181555	Cable Clutch 42 In
32	153535	Pulley, Mandrel	158	17720408	Screw Hex Thd Cut 1/4-20 x 1/2
33	178342	Nut, Toplock, Flanged	159	STD533717	Bolt Rdhd Sqn 3/8-16 unc x 1-3/4
34	STD533717	Bolt	184	19131410	Washer 13/32 x 7/8 x 10 Ga.
36	131494	Pulley, Idler, Flat	185	188234	Head Asm Cable Clutch
40	73900600	Nut Lock 3/8-16 unc	--	130794	Mandrel Assembly (Includes Housing, Shaft and Shaft Hardware Only- Pulley not Included)
44	140088	Guard, Mandrel, L.H.	--	181281	Replacement Mower, Complete (Std. Deck-Order separately mulcher cover and gauge wheel components key nos. 101 - 106 and 116 - 119)
45	STD624003	Retainer			
46	137729	Screw, Thd. Roll 1/4-20 x 5/8			
48	133944	Washer, Hardened			
52	139888	Bolt, Shoulder 5/16-18 unc			
53	184907	Arm Assembly, Pad, Brake			
54	178515	Washer, Hardened			
55	155046	Arm, Idler			
56	165723	Spacer, Retainer			
59	141043	Guard, TUV Idler			
67	149846	Knob Custom Oval			
68	180215	V-Belt			

**NOTE:** All component dimensions given in U.S. inches  
1 inch = 25.4 mm

# REPAIR PARTS

TRACTOR- -MODEL NO. 917. 277600

PEERLESS TRANSAXLE - MODEL NUMBER LTH2000



# REPAIR PARTS

## TRACTOR- -MODEL NO. 917. 277600

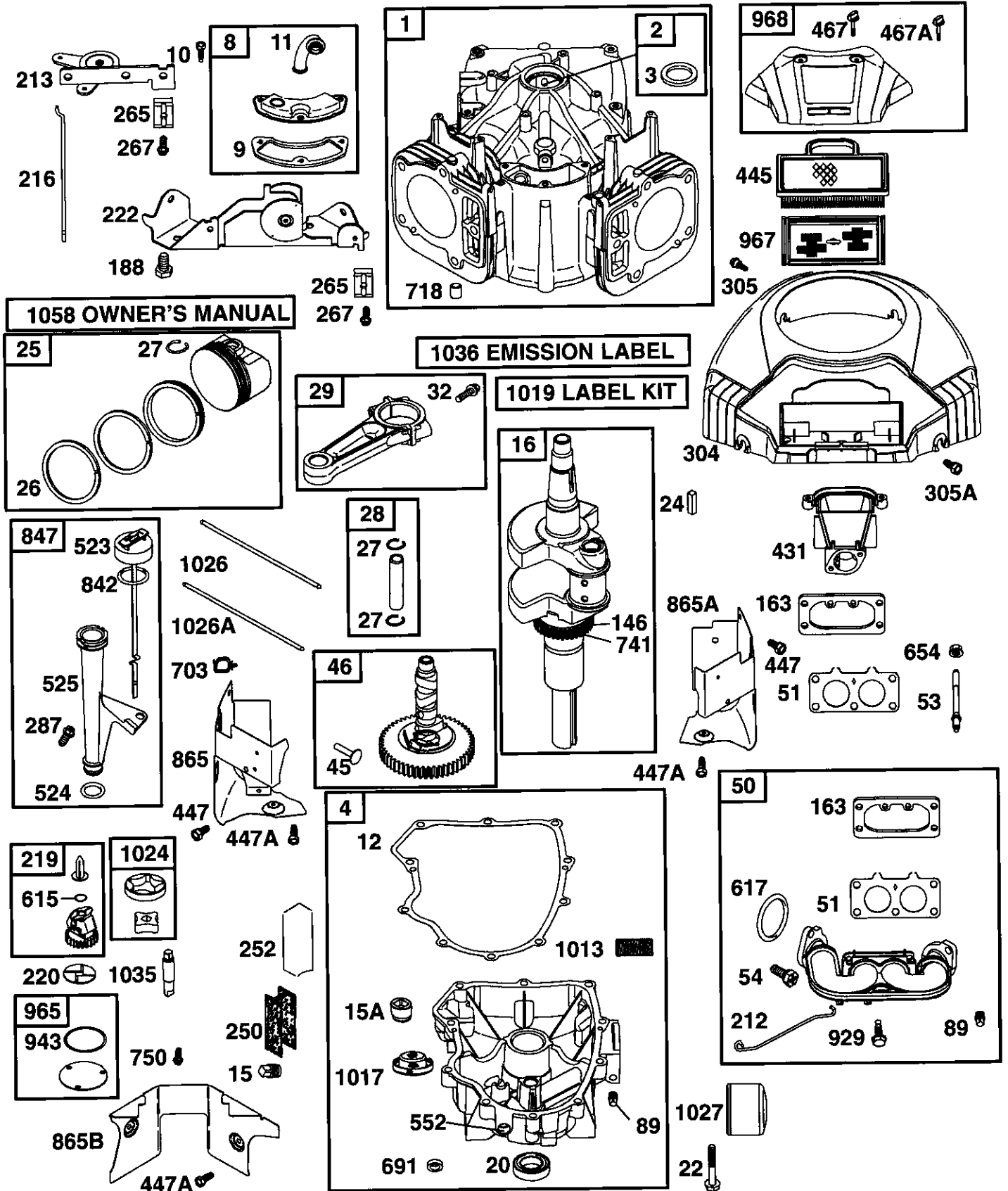
### PEERLESS TRANSAXLE - MODEL NUMBER LTH2000

KEY NO.	PART NO.	DESCRIPTION	KEY NO.	PART NO.	DESCRIPTION
1	772151	Cover L.H.	70	786196	Spacer .625 .765
3	770135	Case	79	792201	Spring
5	776355	Counter Shaft	85	792154	Oil Fill Plug
6	778263	Spur Gear 11T	87	788088A	Oil Seal 3/4"
9	786197	Neutral Sleeve (.572)	99	792141	Washer .377ID .058W
13	778368	Bevel Gear (Incl. 14) (13 Teeth)	100	792200	Snubber Washer
14	778368	Bevel Gear (Incl. 13) (13 Teeth)	101	792199	Snubber Spring .47ID
15	778373	Ring Gear (54 Teeth)	102	792184	Washer .437ID .078W
17	786139	Drive Pin	103	792193	Screw, 1/4-28 x .490
22	792194	Spring	104	792198	Nut, 3/8-24
23	792195	Washer .750 ID	105	780096	Washer .625 ID .057W
25	792073A	Screw 1/4-20 x 1-1/4"	106	786162	Sleeve Assembly
26	792125	Retaining Ring	107	792046	Screw, 1/4-20 x 1"
28	792035	Retaining Ring	109	788104	"O" Ring
29	780065	Washer .627 ID .091W	113	786199	Sleeve Ass'y (Incl. 157)
31	780189	Washer .563 ID .062W	114	786200	Sleeve Ass'y (Incl. 87)
36	790071	Brake Disk	115	786198	Sleeve Assembly (Incl. 87)
37	790007	Brake Pad Plate	127	784384	Shift Lever Ass'y (Incl. 109)
38	799021	Brake Pad	150	788093A	Liquid Gasket RTV Silicon
40	792204	Roll Pin .25	157	788102	Oil Seal 9/16"ID
41	790102	Brake Lever	180	730229	BOil Spec. (80W90)
42	792202	Screw, 1/4-20 x 3/4	182	788103	Grommet
42A	792203	Screw, 1/4-20 x 1-3/4	183	792118	Relief Valve
43	792171	Screw, 10-24 x .500	184	792196	Hose Barb
44A	790100	Inside Brake (Mach)	185	798050	Tubing 1/2 x 5
44B	790099	Outside Brake (Casting)	190	792150	Washer
45	790101	Actuator Rod	191	792151	Nut 7/16-20
47	774869	Axle 16.812	200	794787	Differential (Gear Reduction Drive)
48	774688	Axle 11.625	203	798044	Pulley & Hub Ass'y
49	778378	Spur Gear 18T	206	798055	Disconnect Lever
56	778379	Spur Gear 81T	207	798053	Mounting Plate
65	780195	Washer .750ID .062W	208	798040	Fan
67	776440	Brakeshaft	209	798054	Control Lever
			210	794788	Hydro Module LH Fender Control

# REPAIR PARTS

TRACTOR- -MODEL NO. 917. 277600

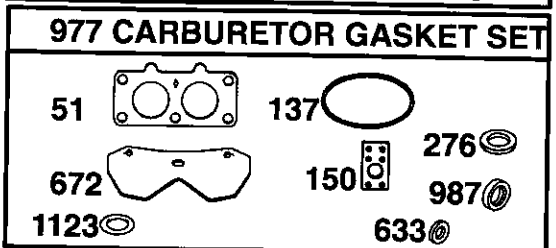
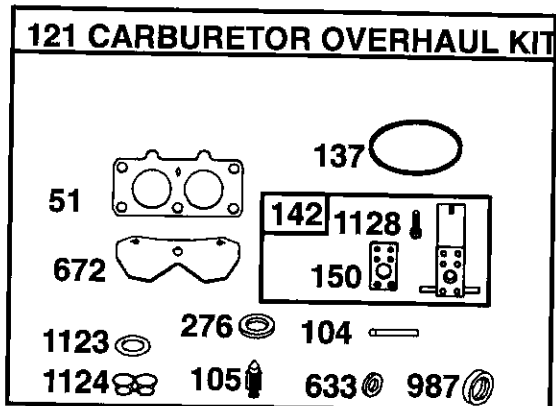
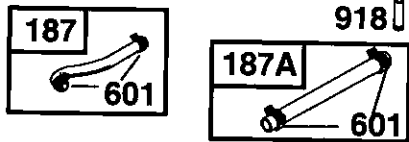
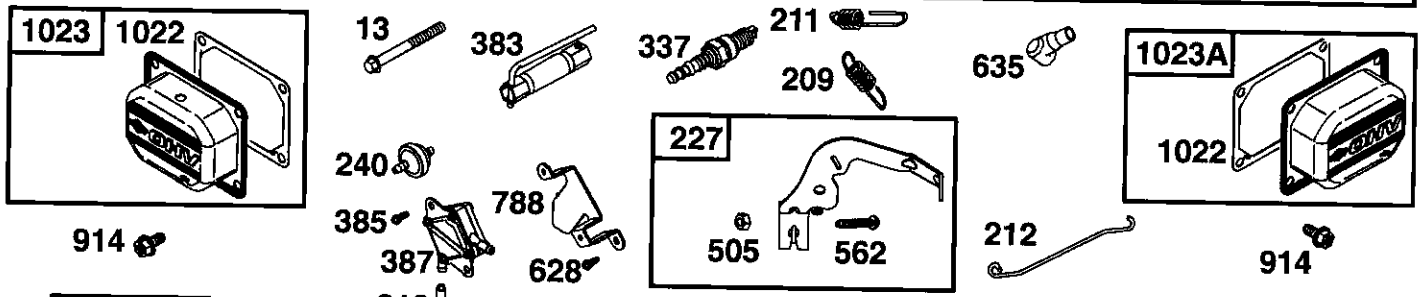
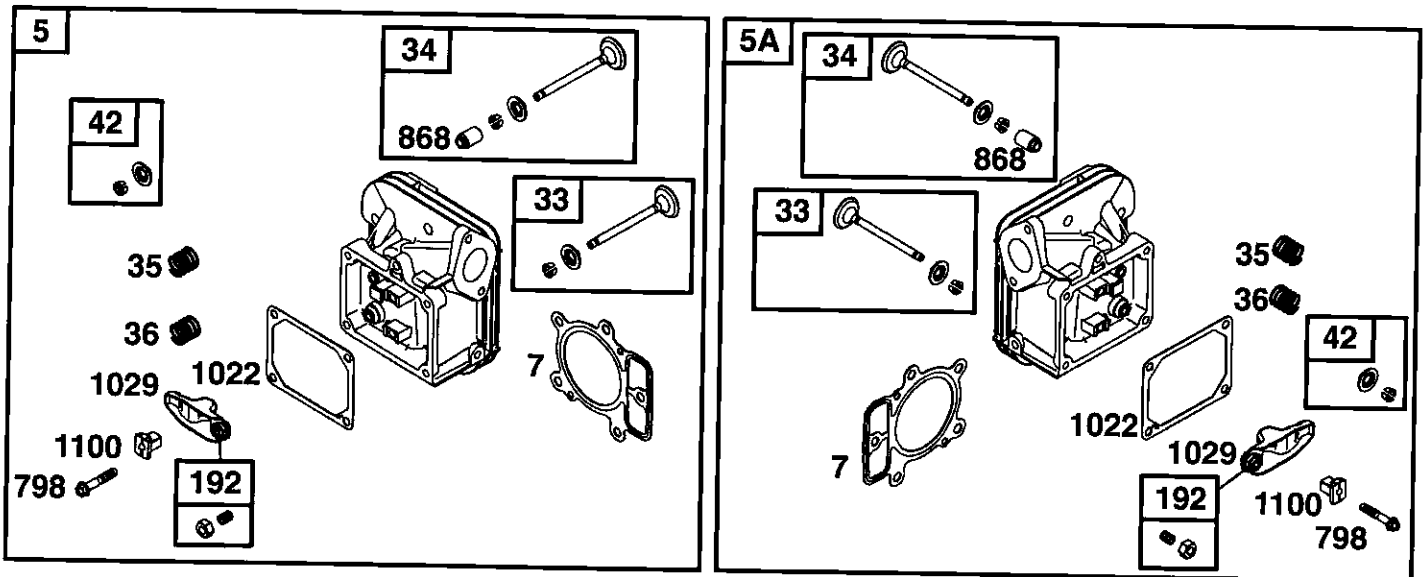
BRIGGS & STRATTON ENGINE - - MODEL NUMBER 445577, TYPE NUMBER 0504-E1



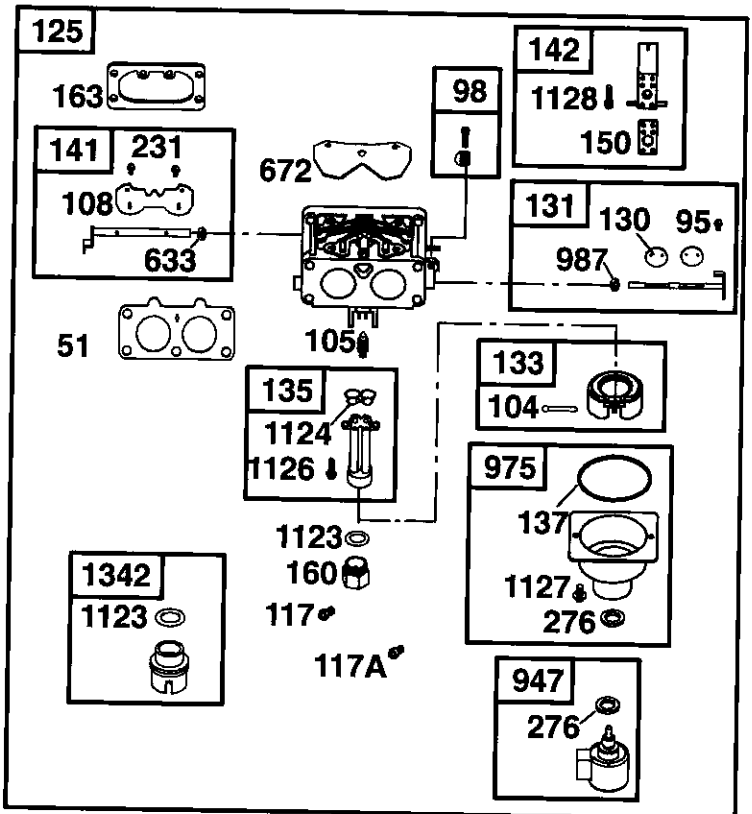
# REPAIR PARTS

TRACTOR- -MODEL NO. 917. 277600

BRIGGS & STRATTON ENGINE - - MODEL NUMBER 445577, TYPE NUMBER 0504-E1



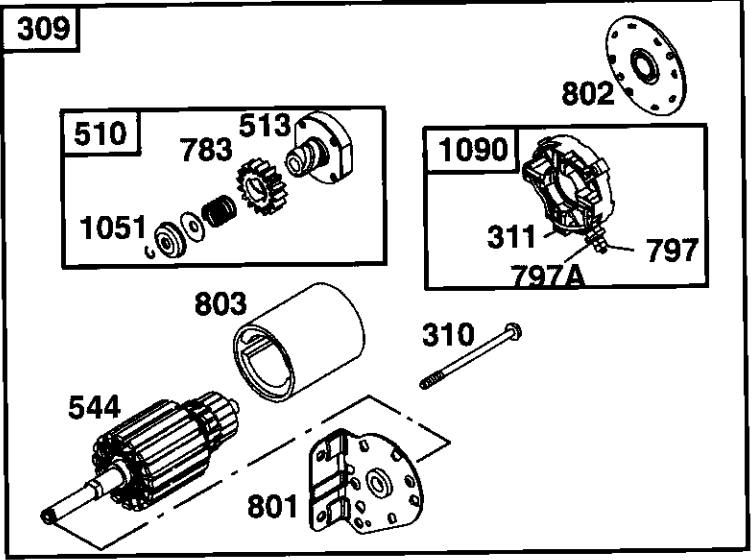
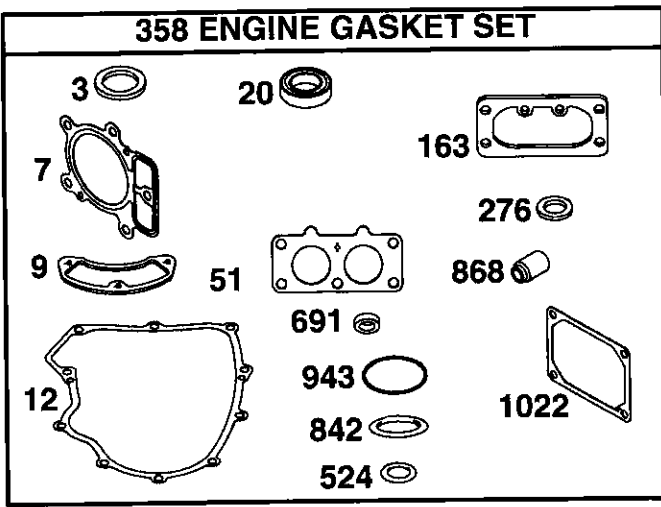
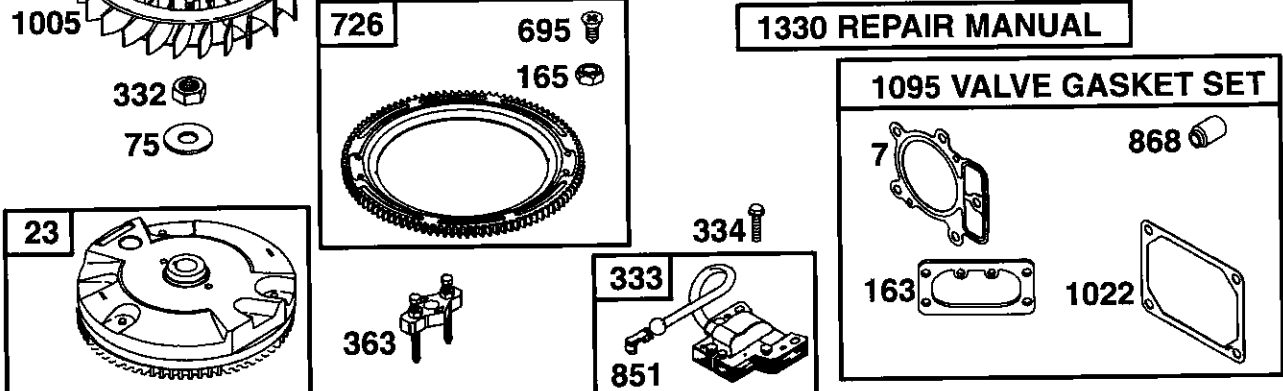
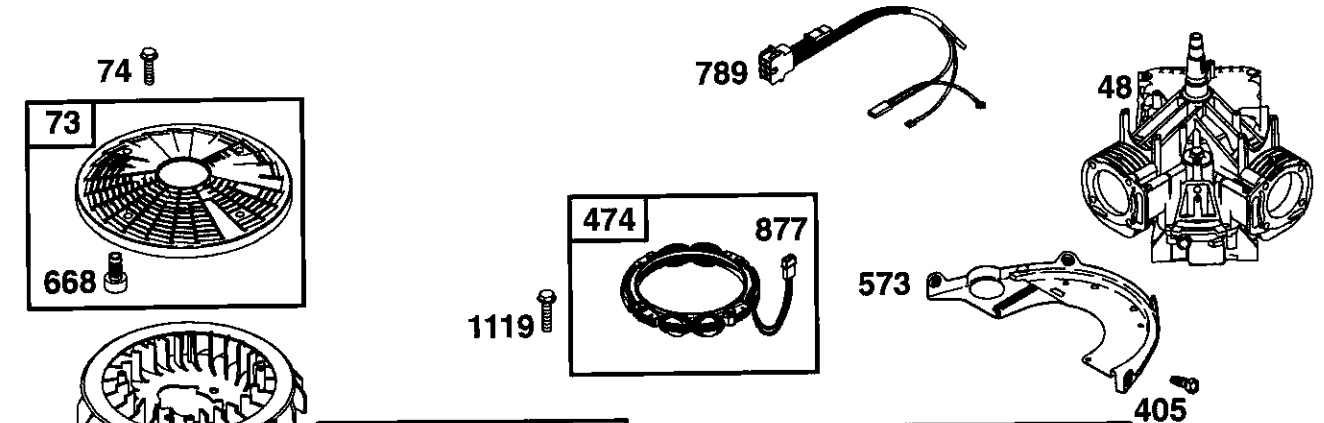
- 616
- 552
- 552A
- 742
- 404
- 552A
- 691



# REPAIR PARTS

TRACTOR- -MODEL NO. 917. 277600

BRIGGS & STRATTON ENGINE - - MODEL NUMBER 445577, TYPE NUMBER 0504-E1



1329 REPLACEMENT ENGINE



# REPAIR PARTS

## TRACTOR- -MODEL NO. 917. 277600

### BRIGGS & STRATTON ENGINE - - MODEL NUMBER 445577, TYPE NUMBER 0504-E1

KEY NO.	PART NO.	DESCRIPTION	KEY NO.	PART NO.	DESCRIPTION
1	699753	Cylinder Assembly	135	699729	Tube-Fuel Transfer
2	499585	Kit-Bushing/Seal (Magneto Side)	137	690994	Ø‡ Gasket-Float Bowl
3	391086	• Seal-Oil (Magneto Side)	141	699722	Kit-Choke Shaft
4	699747	Sump-Engine	142	699726	Ø Nozzle-Carburetor
5	693998	Head-Cylinder (Cylinder 1)	146	690979	Key-Timing
5A	693999	Head-Cylinder (Cylinder 2)	150	690995	Ø‡ Gasket-Nozzle
7	693997	•+ Gasket-Cylinder Head	160	699727	Retainer-Solenoid
8	499601	Breather Assembly	163	691001	•+ Gasket-Air Cleaner
9	690937	• Gasket-Breather	165	693148	Nut (Ring Gear)
10	691108	Screw (Breather Assembly)	187	691049	Line-Fuel
11	690942	Tube-Breather	187A	691050	Line-Fuel (Cut to Required Length)
12	697227	• Gasket-Crankcase	188	691108	Screw (Control Bracket)
13	791130	Screw (Cylinder Head)	192	690083	Adjuster-Rocker Arm
15	690946	Plug-Oil Drain	209	697674	Spring-Governor
15A	691680	Plug-Oil Drain	211	691019	Spring-Governed Idle
16	699700	Crankshaft	212	695238	Link-Governor
20	690947	• Seal-Oil (PTO Side)	213	691021	Bracket-Choke Control
22	694966	Screw (Crankcase Cover)	216	691022	Link-Choke
23	691054	Flywheel	219	698231	Gear-Governor
24	222698	Key-Flywheel	220	690412	Washer (Governor Gear)
25	694003	Piston Assembly (Standard)	222	698757	Bracket-Control
	694007	Piston Assembly (.020" Oversize)	227	691048	Lever-Governor Control
26	694004	Ring Set (Standard)	231	690718	Screw (Choke Valve)
	694008	Ring Set (.020" Oversize)	240	691035	Filter-Fuel
27	690975	Lock-Piston Pin	250	690957	Retainer-Breather
28	690229	Pin-Piston (Standard)	252	690956	Collector-Oil
29	699699	Rod-Connecting (Standard)	265	691024	Clamp-Casing
32	690976	Screw (Connecting Rod)	267	695134	Screw (Casing Clamp)
33	499596	Valve-Exhaust	276	690997	•Ø‡ Washer-Sealing
34	697464	Valve-Intake	287	691108	Screw (Dipstick/Tube Assembly)
35	690963	Spring-Valve (Intake)	304	790688	Housing-Blower
36	690963	Spring-Valve (Exhaust)	305	691005	Screw (Blower Housing)
42	499586	Keeper-Valve	305A	790690	Screw (Blower Housing)
45	690977	Tappet-Valve	309	691262	Motor-Starter
46	790562	Camshaft	310	691263	Screw (Starter Motor)
48	698172	Short Block	311	497608	Brush Set
50	695241	Manifold-Intake	332	691059	Nut (Flywheel)
51	690950	•Ø‡ Gasket-Intake	333	691060	Armature-Magneto
53	690951	Stud (Carburetor)	334	691061	Screw (Magneto Armature)
54	695239	Screw (Intake Manifold)	337	691043	Spark Plug
73	494439	Screen-Rotating	358	694012	Gasket Set-Engine
74	698425	Screw (Rotating Screen)	363	19069	Puller-Flywheel
75	691056	Washer (Flywheel)	383	89838	Wrench-Spark Plug
89	690283	Plug-Oil	385	691108	Screw (Fuel Pump)
95	690718	Screw (Throttle Valve)	387	808656	Pump-Fuel
98	699721	Kit-Idle Speed	404	690442	Washer (Governor Crank)
104	694918	Ø Pin-Float Hinge	405	697820	Screw (Back Plate)
105	698537	Ø Valve-Float Needle			
108	699723	Valve-Choke			
117	699732	Jet-Main (Standard)			
117A	699733	Jet-Main (Standard)			
121	699734	Kit-Carburetor Overhaul			
125	699709	Carburetor			
130	690993	Valve-Throttle			
131	499805	Kit-Throttle Shaft			
133	699724	Float-Carburetor			

- Included in Engine Gasket Set, Key. No. 358
- Ø Included in Carburetor Overhaul Kit, Key. No. 121
- ‡ Included in Carburetor Gasket Set, Key. No. 977
- + Included in Valve Overhaul Kit, Key. No. 1095

**NOTE:** All component dimensions given in U.S. inches 1 inch = 25.4 mm

# REPAIR PARTS

## TRACTOR- -MODEL NO. 917. 277600

### BRIGGS & STRATTON ENGINE - - MODEL NUMBER 445577, TYPE NUMBER 0504-E1

KEY NO.	PART NO.	DESCRIPTION	KEY NO.	PART NO.	DESCRIPTION
431	790816	Elbow-Air Cleaner	914	691127	Screw (Rocker Arm Cover)
445	499486	Filter-Air Cleaner Cartridge	918	694000	Hose-Vacuum
447	691003	Screw (Air Guide Cover)	929	691003	Screw (Choke Control Bracket)
447A	690960	Screw (Air Guide Cover)	943	690589	• Seal-O Ring (Oil Pump Cover)
467	691008	Knob-Air Cleaner	947	699728	Solenoid-Fuel
467A	790697	Knob-Air Cleaner	965	499613	Cover-Oil Pump
474	696459	Alternator	967	273638	Filter-Pre Cleaner
505	691029	Nut (Governor Control Lever)	968	790689	Cover-Air Cleaner
510	497606	Drive-Starter	975	499810	Bowl-Float
513	692024	Clutch-Drive	977	699735	Gasket Set-Carburetor
523	691036	Dipstick	987	691000	∅‡ Seal-Throttle Shaft
524	691032	• Seal-O Ring (Dipstick Tube)	1005	790698	Fan-Flywheel
525	691037	Tube-Dipstick	1013	690954	Nipple-Oil Filter
544	---	Armature-Starter (Serviced by 691262 Starter Motor Only)	1017	690770	Screen-Oil Pump
552	690552	Bushing-Governor Crank	1019	693995	Kit-Label
552A	690553	Bushing-Governor Crank	1022	690971	*+ Gasket-Rocker Cover
562	690311	Bolt (Governor Control Lever)	1023	499599	Cover-Rocker Arm (Cylinder 1)
573	691009	Plate-Back	1023A	499600	Cover-Rocker Arm (Cylinder 2)
601	691038	Clamp-Hose	1024	499054	Pump-Oil
615	698290	Retainer-Governor Shaft	1026	690981	Rod-Push (Steel)
616	691045	Crank-Governor	1026A	690982	Rod-Push (Aluminum)
617	697891	Seal-O Ring (Intake Manifold)	1027	492932	Filter-Oil
628	691108	Screw (Fuel Pump Bracket)	1029	690972	Arm-Rocker
633	690998	∅‡ Seal-Choke/Throttle Shaft	1035	691042	Shaft-Pump
635	66538	Boot-Spark Plug	1036	790626	Label-Emission
654	690958	Nut (Carburetor)	1051	691265	Ring-Retaining
668	691215	Spacer	1058	275475	Owner's Manual
672	690234	∅‡ Gasket-Carburetor Plate	1090	691293	Retainer-Brush
691	690657	• Seal-Governor Shaft	1095	694013	Set-Valve Gasket
695	693149	Screw (Ring Gear)	1100	690973	Pivot-Rocker Arm
697	690372	Screw (Drive Cap)	1119	691183	Screw (Alternator)
703	691010	Clip	1123	699725	∅‡ Seal-O Ring (Solenoid Retainer)
718	690959	Pin-Locating	1124	690988	∅ Seal-O Ring (Fuel Transfer Tube)
726	499612	Gear-Ring	1126	690991	Screw (Fuel Transfer Tube)
741	690980	Gear-Timing	1127	690992	Screw (Float Bowl)
742	690328	Retainer-E Ring	1128	690990	Screw (Carburetor Nozzle)
750	696999	Screw (Oil Pump Cover)	1329	445777-0027	Replacement Engine (If the original engine is equipped with a six pin wiring harness, transfer to the replacement engine)(Transfer Governor Spring to the replacement engine)(Add 790544 to the replacement engine)(Transfer oil sensor to the replacement engine)
783	693058	Gear-Pinion	1330	273521	Repair Manual
788	691039	Bracket-Fuel Pump	1342	699731	Extension-Fuel Transfer Tube
789	696576	Harness-Wiring			
797	691029	Nut (Brush Retainer)			
797A	693167	Nut (Brush Retainer)			
798	697890	Screw (Rocker Arm)			
801	691283	Cap-Drive			
802	691286	Cap-End			
803	---	Housing-Starter (Serviced by 691262 Starter Motor Only)			
842	691031	• Seal-O Ring (Dipstick)			
847	499602	Assembly-Dipstick/Tube			
851	493880	Terminal-Spark Plug			
865	691012	Cover-Air Guide (Cylinder 1)			
865A	691014	Cover-Air Guide (Cylinder 2)			
865B	691015	Cover-Air Guide			
868	690968	*+ Seal-Valve			
877	393456	Wire/Connector-Alternator			

- Included in Engine Gasket Set, Key. No. 358
- ∅ Included in Carburetor Overhaul Kit, Key. No. 121
- ‡ Included in Carburetor Gasket Set, Key. No. 977
- + Included in Valve Overhaul Kit, Key. No. 1095

**NOTE:** All component dimensions given in U.S. inches 1 inch = 25.4 mm