

**REPAIR PARTS MANUAL**  
**MODEL NO. 277620**  
**Lawn Tractor**

---

**CRAFTSMAN®**

*24HK*

*2005*

# HOW TO USE THIS MANUAL

This manual is designed to provide the customer with a means to identify the parts on his/her tractor when ordering repair parts. The illustrations may or may not represent the actual assemblies; therefore, it is not recommended to use this manual as a guide to assemble or disassemble the tractor. Some hardware and parts are drawn larger in order to more readily identify them.

Each tractor has its own model number.

The model number for your tractor can be found on the fender under the seat.

When ordering parts, always give the following information:

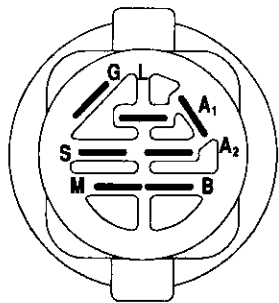
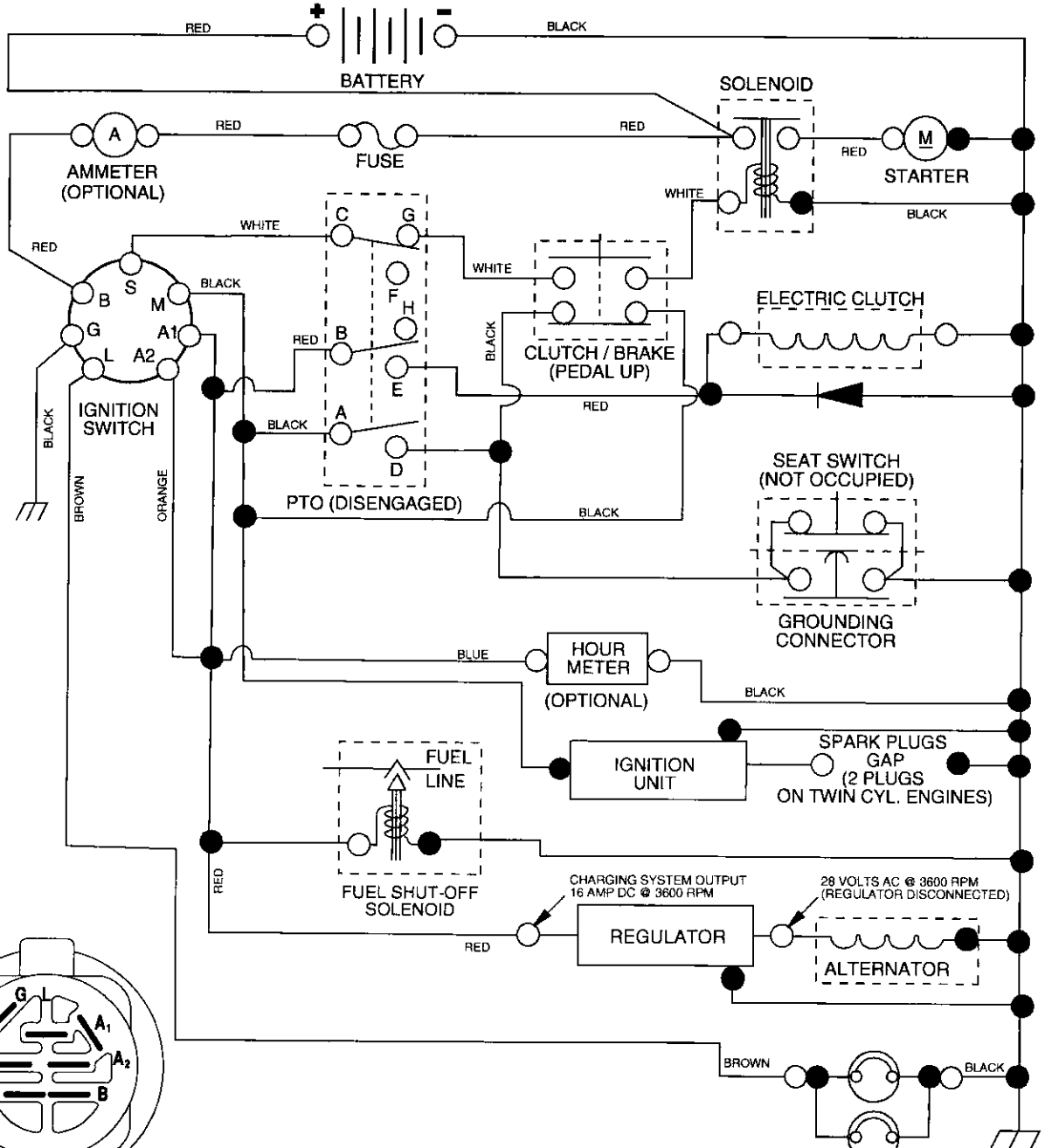
- Product - "Tractor"
- Model Number - "277620"
- Part Number
- Part Description

## TABLE OF CONTENTS

<b>SCHEMATIC .....</b>	<b>3</b>
<b>ELECTRICAL.....</b>	<b>4-5</b>
<b>CHASSIS.....</b>	<b>6-7</b>
<b>DRIVE.....</b>	<b>8-9</b>
<b>STEERING .....</b>	<b>10-11</b>
<b>SEAT .....</b>	<b>12</b>
<b>DECALS.....</b>	<b>13</b>
<b>ENGINE.....</b>	<b>14-15</b>
<b>MOWER LIFT .....</b>	<b>16-17</b>
<b>MOWER DECK .....</b>	<b>18-19</b>
<b>TRANSAXLE.....</b>	<b>20-21</b>
<b>ENGINE BREAKDOWN.....</b>	<b>22-26</b>
<b>WARRANTY .....</b>	<b>27</b>

# TRACTOR- -MODEL NO. 917. 277620

## SCHEMATIC



**IGNITION SWITCH**

POSITION	CIRCUIT	"MAKE"
OFF	M + G + A1	NONE
ON + LIGHTS	B + A1	L + A2
ON	B + A1	NONE
START	B + S + A1	NONE

**WIRING INSULATED CLIPS**  
**NOTE:** IF WIRING INSULATED CLIPS WERE REMOVED FOR SERVICING OF UNIT, THEY SHOULD BE REPLACED TO PROPERLY SECURE YOUR WIRING.

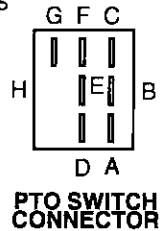
02762

**PTO SWITCH**

POSITION	CIRCUIT
OFF	C + G, B + H
ON	C + F, B + E, A + D

○  
 REMOVABLE CONNECTIONS

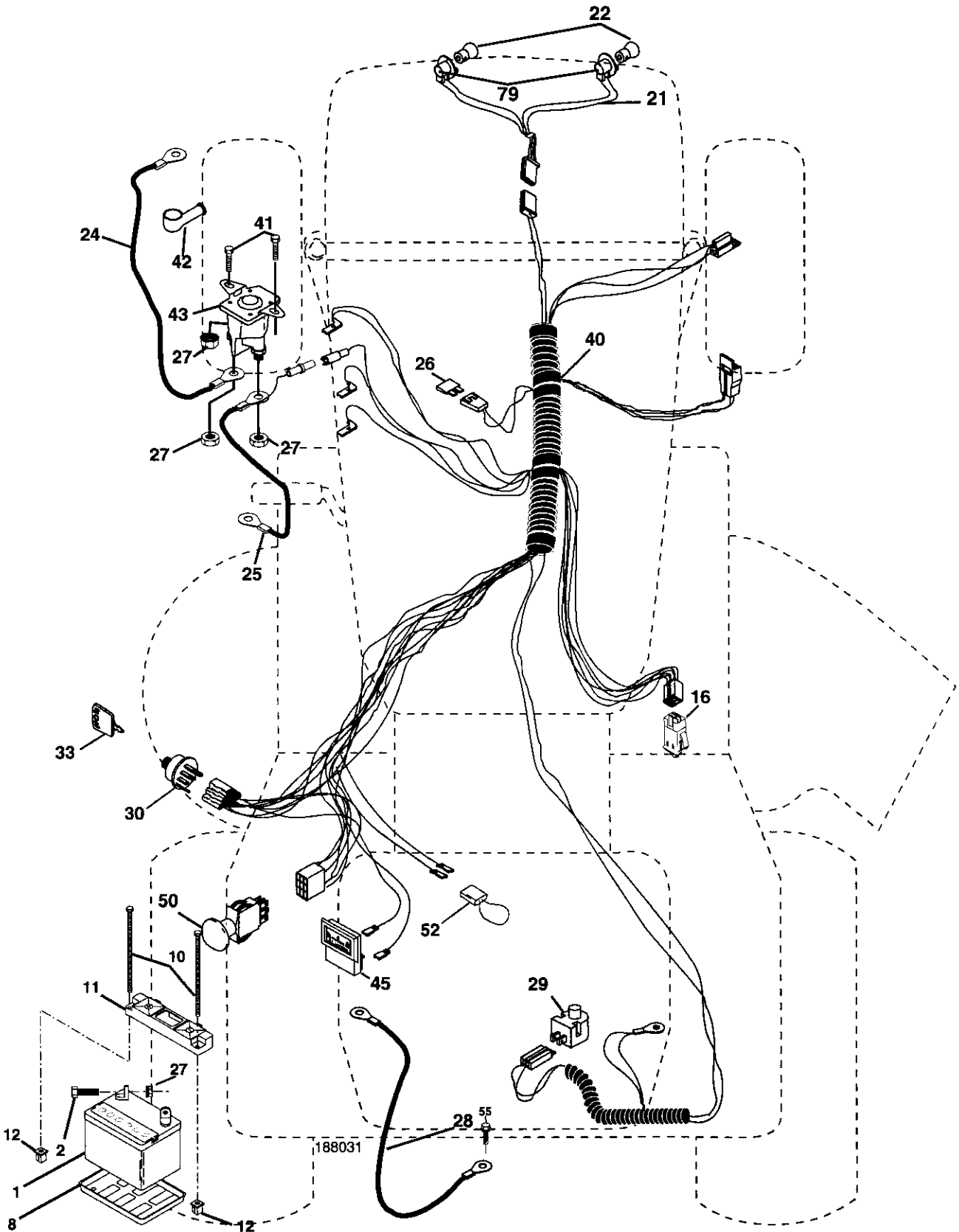
●  
 NON-REMOVABLE CONNECTIONS



# REPAIR PARTS

TRACTOR- -MODEL NO. 917. 277620

## ELECTRICAL



# REPAIR PARTS

## TRACTOR- -MODEL NO. 917. 277620

### ELECTRICAL

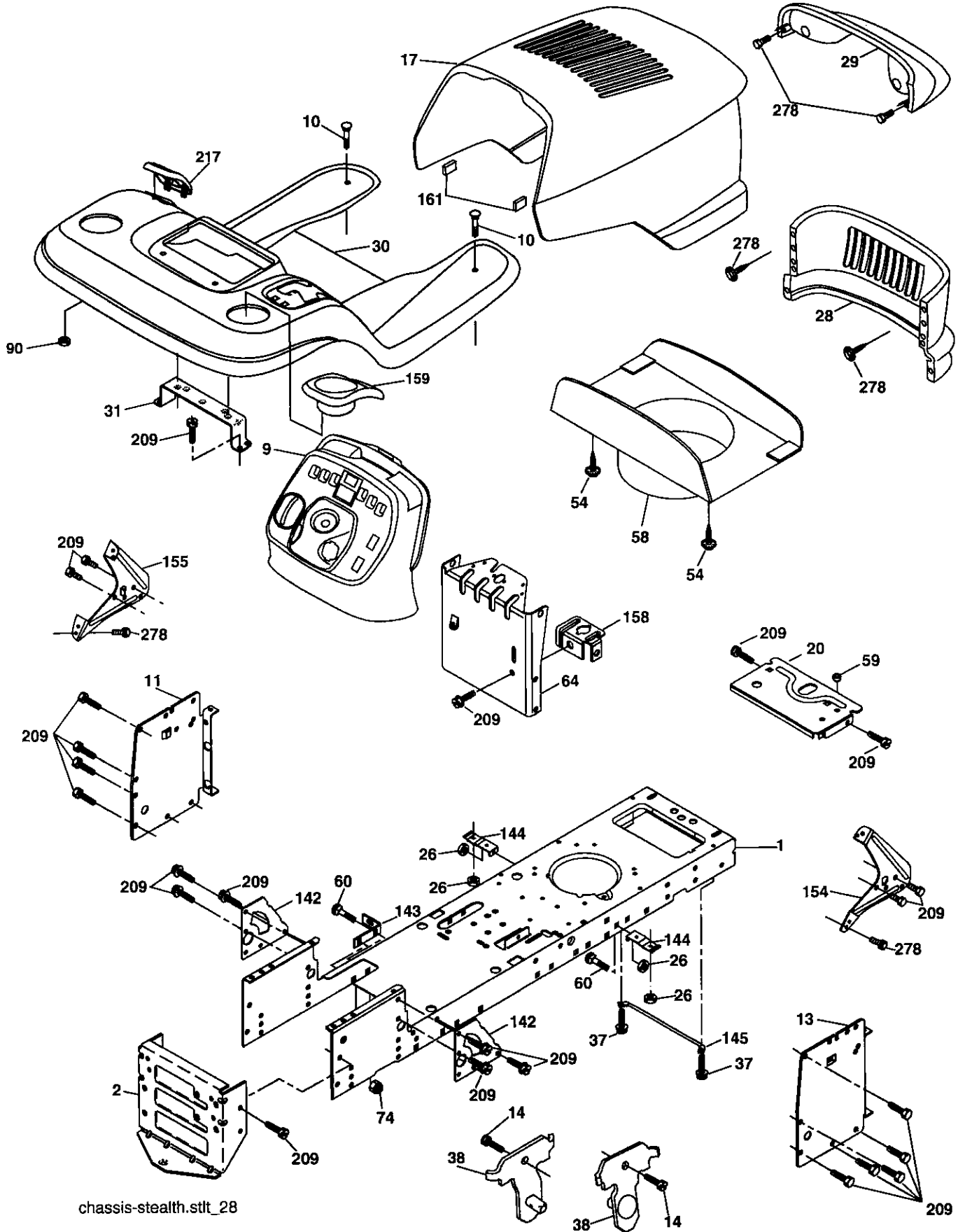
KEY NO.	PART NO.	DESCRIPTION
1	144927	Battery
2	74760412	Bolt, Hex 1/4-20 x 3/4
8	7603J	Tray, Battery
10	145211	Bolt, Battery, Front 1/4-20 x 7-1/2
11	150109	Holddown, Battery, Front
12	145769	Nut, Push, Nylon, Battery, Front 1/4
16	176138	Switch, Interlock
21	175688	Harness, Light
22	4152J	Bulb Light #1156
24	8860R	Cable Starter
25	146148	Cable
26	175158	Fuse
27	73510400	Nut, Hex, Keps 1/4-20 unc
28	145491	Cable, Ground
29	121305X	Switch, Seat
30	175566	Switch, Ignition
33	140403	Key
40	188031	Harness, Ignition
41	17720408	Screw Thd Cut 1/4-20 x 1/2
42	131563	Cover Terminal
43	192507	Soloid w/brass plunger
45	122822X	Ammeter
50	174652	Switch, PTO
52	141940	Protection Wire Loop
55	17490508	Screw, Thd. Roll. 5/16-18 x 1/2
79	175242	Socket Asm Bulb Twistlock

**NOTE:** All component dimensions give in U.S. inches  
1 inch = 25.4 mm

# REPAIR PARTS

## TRACTOR- -MODEL NO. 917. 277620

### CHASSIS AND ENCLOSURES



chassis-stealth.sttt\_28

# REPAIR PARTS

## TRACTOR- -MODEL NO. 917. 277620

### CHASSIS AND ENCLOSURES

KEY NO.	PART NO.	DESCRIPTION
1	174619	Chassis
2	176554	Drawbar
9	193636X428	Dash
10	72140608	Bolt RDHD SQNK 3/8-16 x 1
11	167203	Panel, Dash, LH
13	188702X010	Panel, Dash, RH
14	17490608	Screw Thdrol 3/8-16 x 1/2
17	175260X428	Hood Assembly
20	162026	Plate Battery
26	STD541437	Locknut, Hex, with Insert 3/8-16 unc
28	174515X428	Grille
29	161840	Lens, Bar
30	192395X428	Fender/Footrest
31	139976	Bracket, Fender/Support
37	17490508	Screw, Thdrol. 5/16-18 x 1/2 TYT
38	175710	Bracket Asm Pivot Mower Rear
54	192512	Screw Hex Wshd 10-32 x 5/8
58	175351	Duct Hood
59	187495	Bushing 1.375 OD
60	STD533707	Bolt Rdhd Sqnk 3/8-16 unc x 3/4
64	174997	Dash Lower
74	STD541437	Nut Crownlock 3/8-16 unc
90	124346X	Nut Self Thrd Wshd 1/4 Zinc
142	175702	Plate Reinforcement
143	186689	Bracket Swaybar Chassis
144	175582	Bracket Footrest
145	156524	Rod Pivot Chassis/Hood
154	161897	Bracket Dash Rh
155	161900	Bracket Dash Lh
158	162037	Parking Brake Bkrt
159	191120X428	Cupholder
161	164655	Bumper Extrusion .600 x 3.50
209	17000612	Screw Hexwsh Thdr 3/8-16 x 3/4
217	179132X428	Console Fuel Window
278	191611	Screw 10 x 3/4 Single Lead-Hex
--	193640X428	Plug Switch Light

**NOTE:** All component dimensions give in U.S. inches  
1 inch = 25.4 mm





# REPAIR PARTS

## TRACTOR- -MODEL NO. 917. 277620

### DRIVE

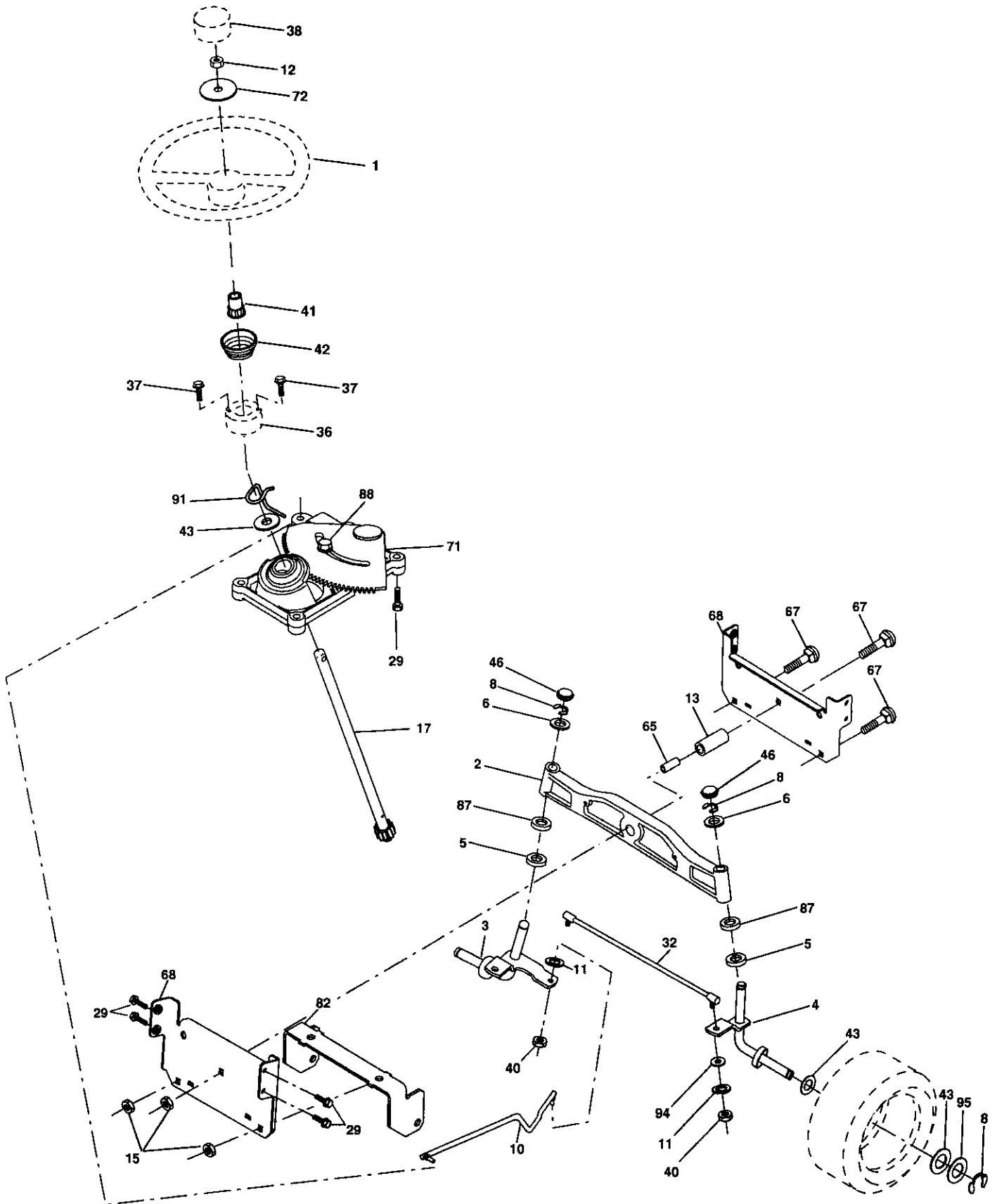
KEY NO.	PART NO.	DESCRIPTION	KEY NO.	PART NO.	DESCRIPTION
1	---	Transaxle, HydroGear, Model 314-0510 (See Break down)	65	10040700	Washer
8	192502	Rod Shift Fend.	66	154778	Keeper Belt Engine
9	179334	Clutch Electric	69	142432	Screw Hex Wsh Hi-Lo 1/4 x 1/2 unc
10	76020416	Pin Cotter 1/8 x 1	71	169183	Strap Torque LH
14	10040400	Washer Lock Hvy 1/4	73	169182	Strap Torque RH
15	74490544	Bolt Hex Flghd 5/16-18 Gr. 5	74	137057	Spacer, Axle
16	73800500	Nut Lock Hex W/Ins. 5/16-18 unc	75	121749X	Washer 25/32 x 1-1/4 x 16 Ga.
17	126197X	Washer 1-1/2 OD x 15/32 ID x.250	76	12000001	E-Ring
19	73800600	Nut Lock Hex W/Wsh 3/8-16 unc	77	123583X	Key, Square
21	130564	Knob	78	121748X	Washer 25/32 x 1-5/8 x 16 Ga.
22	169498	Rod, Brake	81	165596	Shaft Assy. Cross Taper
23	190736	Bracket Anti-Rotation	82	165711	Spring Torsion
24	73350600	Nut, Hex Jam 3/8-16 unc	83	19171216	Washer 17/32 x 3/4 x 16 Ga.
25	106888X	Spring, Brake Rod	84	169594	Link Transaxle
26	19131316	Washer	89	192387X428	Console, Shift
27	76020412	Pin Cotter 1/8 x 3/4 CAD.	95	170201	Rod Bypass
28	175765	Rod, Parking Brake	96	4497H	Retainer Spring 1" Zinc/Cad
29	124236X	Knob Brake Parking	112	19091210	Washer 9/32 x 3/4 x 10 Ga.
30	169592	Bracket, Transaxle	120	73900600	Nut Lock Flg 3/8-16 unc
32	74760512	Bolt Hex Hd 5/16-18 unc x 3/4	150	175456	Spacer Retainer
34	175578	Shaft, Foot Pedal	151	19133210	Washer 13/32 x 2 x 10 Ga.
35	120183X	Bearing, Nylon	156	166002	Washer 5/16 ID x 1.0 x .125
36	19211616	Washer	158	165589	Bracket Shift Mount
37	1572H	Pin, Roll	159	183900	Hub Shift
38	179114	Pulley, Composite	161	72140406	Bolt Rdhd Sqnk 1/4-20 x 3/4 Gr. 5
39	72110622	Bolt Rdhd 3/8-16 unc x 2-3/4 Gr. 5	162	73680400	Nut Crownlock 1/4-20 unc
41	175556	Keeper, Belt Idler Flat	163	74780416	Bolt Hex Fin 1/4-20 unc x 1 Gr. 5
47	127783	Pulley, Idler, V-Groove	165	165623	Bracket Pivot Lever
48	154407	Bellcrank Clutch Grnd Drw Stl	166	17490510	Screw 5/16-18 x 5/8
49	123205X	Retainer, Belt	168	165492	Bolt Shoulder 5/16-18 x .561
50	72110612	Bolt	169	165580	Plate Fastener Cross Shf.
51	73680600	Nut Crownlock 3/8-16 unc	197	169613	Nyliner Snap-in 5/8 ID
52	73680500	Nut, Crownlock 5/16-18 unc	198	169593	Washer Nyl 7/8 ID x .105"
53	105710X	Link, Clutch	199	169612	Bolt Shoulder 5/16-18 unc
55	105709X	Spring, Return, Clutch	200	72140508	Bolt Rdhd Sqnk 5/16-18 unc x 1
56	17060620	Screw 3/8-16 x 1-1/4	202	72110614	Bolt Carr Sh 3/8-16 x 1-3/4 Gr. 5
57	140294	V-Belt, Ground Drive	254	17000616	Screw 3/8-16 x 1
59	169691	Keeper, Center Span	263	17000612	Screw 3/8-16 x .75
61	17120614	Screw 3/8-16 x .875			
62	123533X	Cover, Pedal			
63	174607	Pulley, Engine			
64	173937	Bolt Hex 7/16-20 x 4 x Gr. 5-1.5			

**NOTE:** All component dimensions give in U.S. inches  
1 inch = 25.4 mm

# REPAIR PARTS

TRACTOR- -MODEL NO. 917. 277620

## STEERING ASSEMBLY



steering\_stealth\_prem\_6

# REPAIR PARTS

## TRACTOR- -MODEL NO. 917. 277620

### STEERING ASSEMBLY

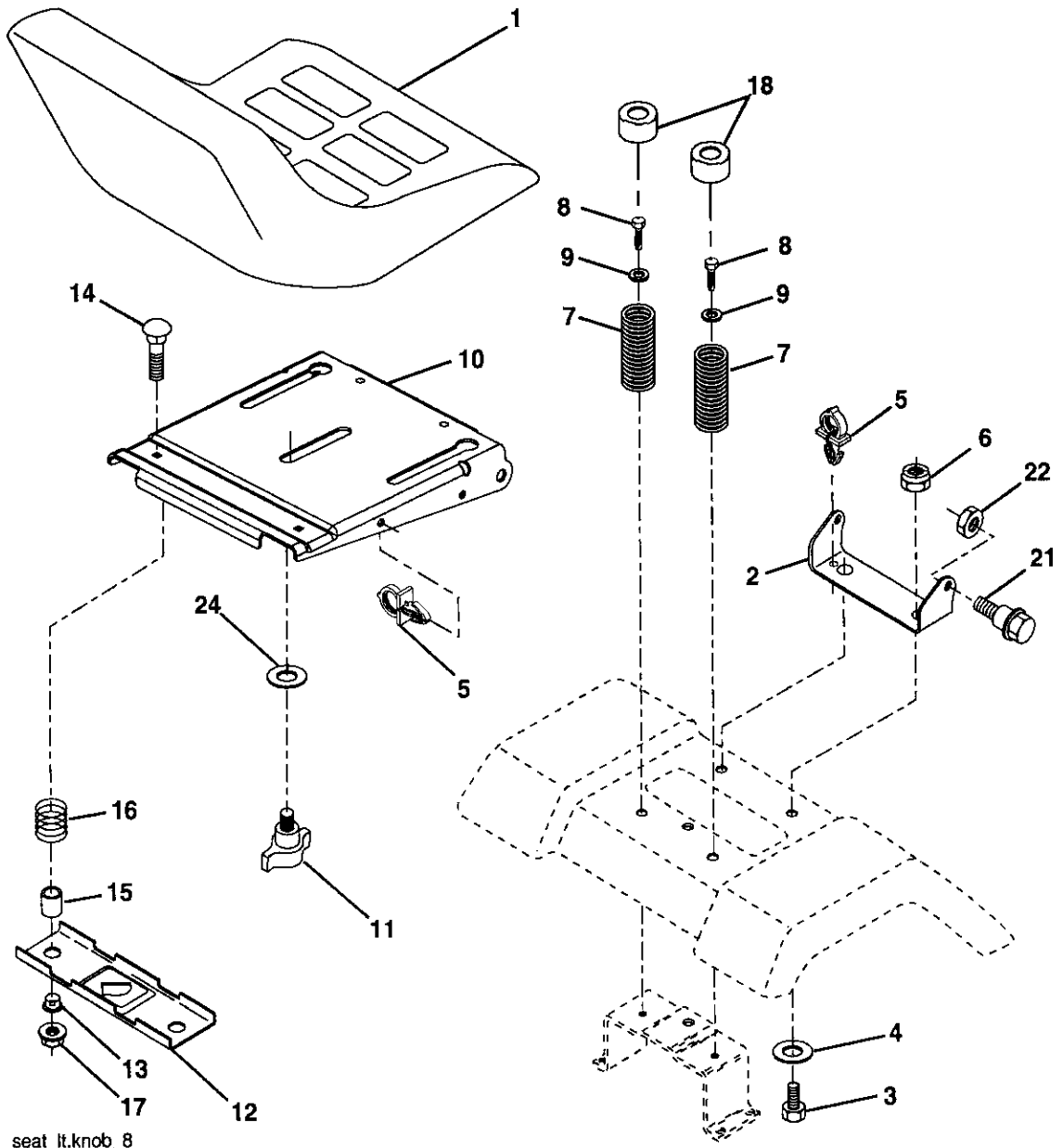
KEY NO.	PART NO.	DESCRIPTION
1	186094X428	Wheel Steering
2	184706	Axle Asm
3	169840	Spindle Asm LH
4	169839	Spindle Asm RH
5	6266H	Bearing Race Thrust Harden
6	121748X	Washer 25/32 x 1-5/8 x 16 Ga.
8	12000029	Ring Klip #t5304-75
10	175121	Link Drag
11	10040600	Washer Lock Hlcl Spr 3/8
12	73940800	Nut Hex Jam Toplock 1/2-20 unf
13	136518	Spacer Bearing Axle Front
15	145212	Nut Hex Flange Lock
17	177883	Shaft Asm. Steering
29	17000612	Screw 3/8-16 x 3/4
32	180580	Rod Tie
36	155105	Bushing Strg
37	152927	Screw
38	186095X428	Insert Cap Strg Wh
40	73540600	Nut Crownlock 3/8-24
41	186737	Adaptor Wheel Strg
42	163888X428	Boot Steering
43	121749X	Washer 25/32 1 1/4 x 16 Ga.
46	184946X505	Cap Spindle
65	160367	Spacer Brace Axle
67	72110618	Bolt, Rdhd Sq 3/8-16 unc x 2-1/4
68	169827	Axle, Brace
71	175146	Steering Asm.
72	19183812	Washer 9/16 ID x 2-3/8 OD 12 Ga.
82	169835	Bracket Susp. Chassis Front
87	173966	Washer Flat .781 x 1-1/2 x .15
88	175118	Bolt Shoulder 7/16-20 unc
91	175553	Clip Steering
94	19121414	Washer 3/8 x 7/8 x 14 Ga.
95	188967	Washer Harden .793 x .637 x .060

**NOTE:** All component dimensions given in U.S. inches  
1 inch = 25.4 mm

# REPAIR PARTS

## TRACTOR- -MODEL NO. 917. 277620

### SEAT ASSEMBLY



KEY NO.	PART NO.	DESCRIPTION
1	180598	Seat
2	180166	Bracket Pivot Seat
3	STD523710	Bolt Fin Hex 3/8-16 unc x 1
4	19131610	Washer 13/32 x 1 x 10 Ga
5	145006	Clip Push-In
6	STD541437	Nut Hex w/Ins. 3/8-16 unc
7	124181X	Spring Seat Cprsn
8	17000616	Screw 3/8-16 x 1-1/2
9	19131614	Washer 13/32 x 1 x 14 Ga.
10	180186	Pan Seat
11	166369	Knob Seat Adj. Wingnut
12	121246X	Bracket Mounting Switch

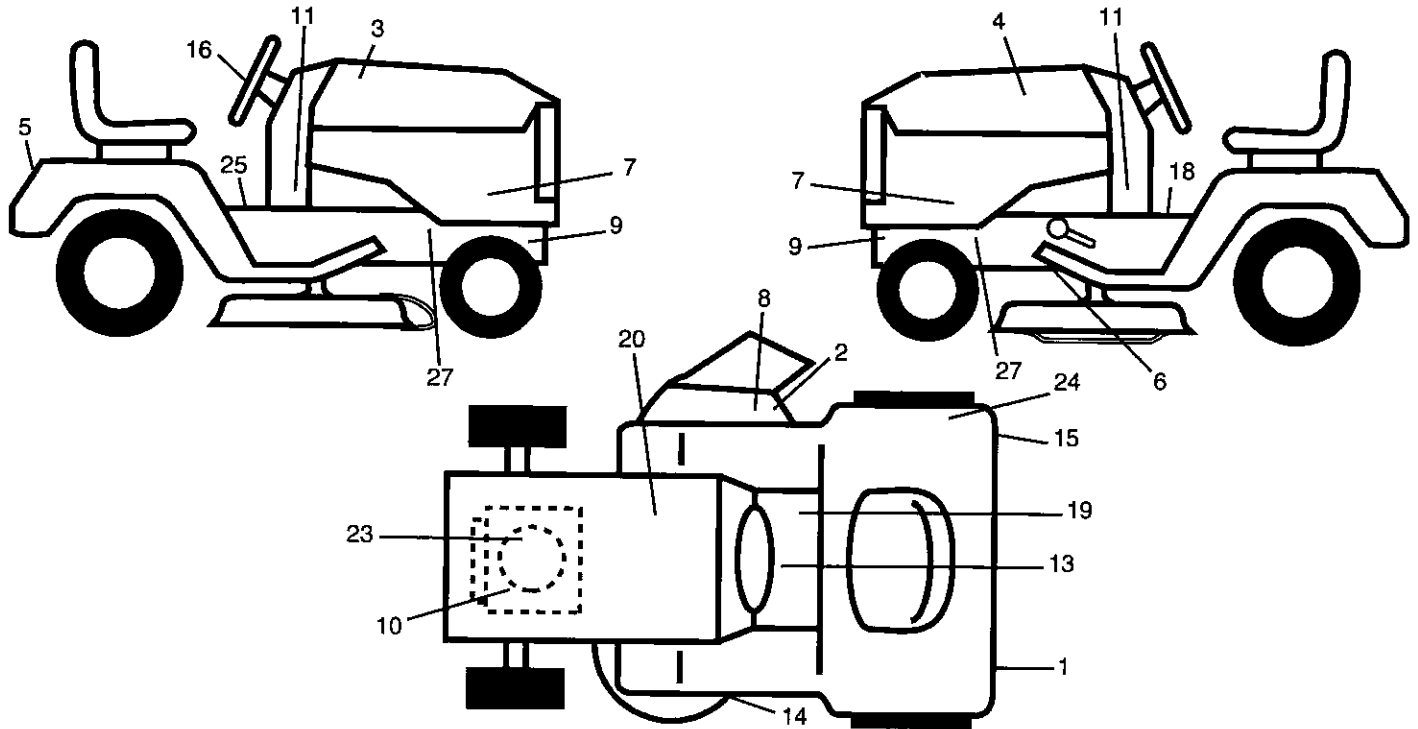
KEY NO.	PART NO.	DESCRIPTION
13	121248X	Bushing Snap Blk Nyl 50 Id
14	72050412	Bolt Rdhd Sqnk 1/4-20 x 1-1/2
15	121249X	Spacer Split 28x .88 Zinc
16	123740X	Spring Cprsn Plate 1.310 Ga
17	123976X	Nut Lock 1/4 Lge Flg Gr. 5 Zinc
18	124238X	Cap Spring Seat
21	171852	Bolt Shoulder 5/16-18 unc
22	STD541431	Nut Hex Lock W/Ins 5/16-18
24	19171912	Washer 17/32 x 1-3/16 x 12 Ga.

**NOTE:** All component dimensions given in U.S. inches  
1 inch = 25.4 mm

# REPAIR PARTS

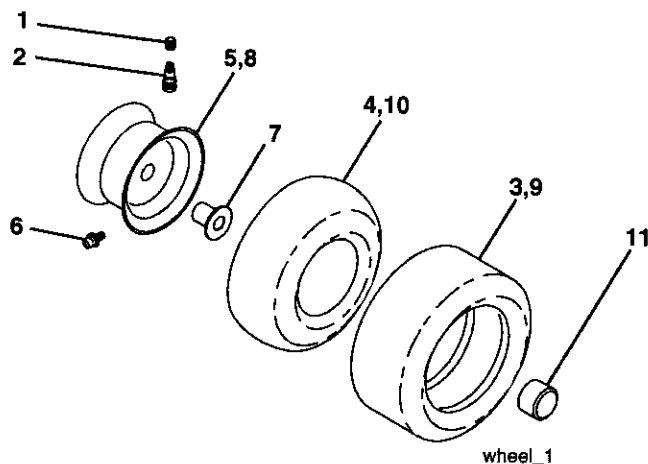
## TRACTOR- -MODEL NO. 917. 277620

### DECALS



KEY NO.	PART NO.	DESCRIPTION	KEY NO.	PART NO.	DESCRIPTION
1	187407	Decal, Reflector, LH	16	164065	Decal, Steering Wheel
2	182166	Decal, Cutfinger	18	140837	Decal, Brake Parking
3	194023	Decal, Hood RH	19	145498	Decal, Read Owner's Manual
4	194024	Decal, Hood LH	20	145005	Decal, Battery
5	194027	Decal, Seat Craftsman	23	197741	Decal, Engine
6	197490	Decal, V-Belt, Drive Schematic	24	180433	Decal, Fender DB/CE
7	194025	Decal, Side Panel	25	159737	Decal, Brake/Clutch Symbol
8	196357	Decal, Dflctr Warning Ctfng	27	166960	Decal, By-Pass
9	159736	Decal, Hot Muffler	--	162598	Decal, Drawbar Load
10	196841	Decal, Engine Warning Syms.	--	184310X428	Pad, Footrest, ST/LT, LH
11	189637	Decal, Panel, Dash	--	184311X428	Pad, Footrest, ST/LT, RH
13	164487	Decal, Dash	--	197767	Manual, Operator's (Euro)
14	175291	Decal, V-Belt, Schematic	--	197768	Manual, Operator's (Scand)
15	187408	Decal, Reflector, RH	--	197769	Manual, Parts

### WHEELS & TIRES



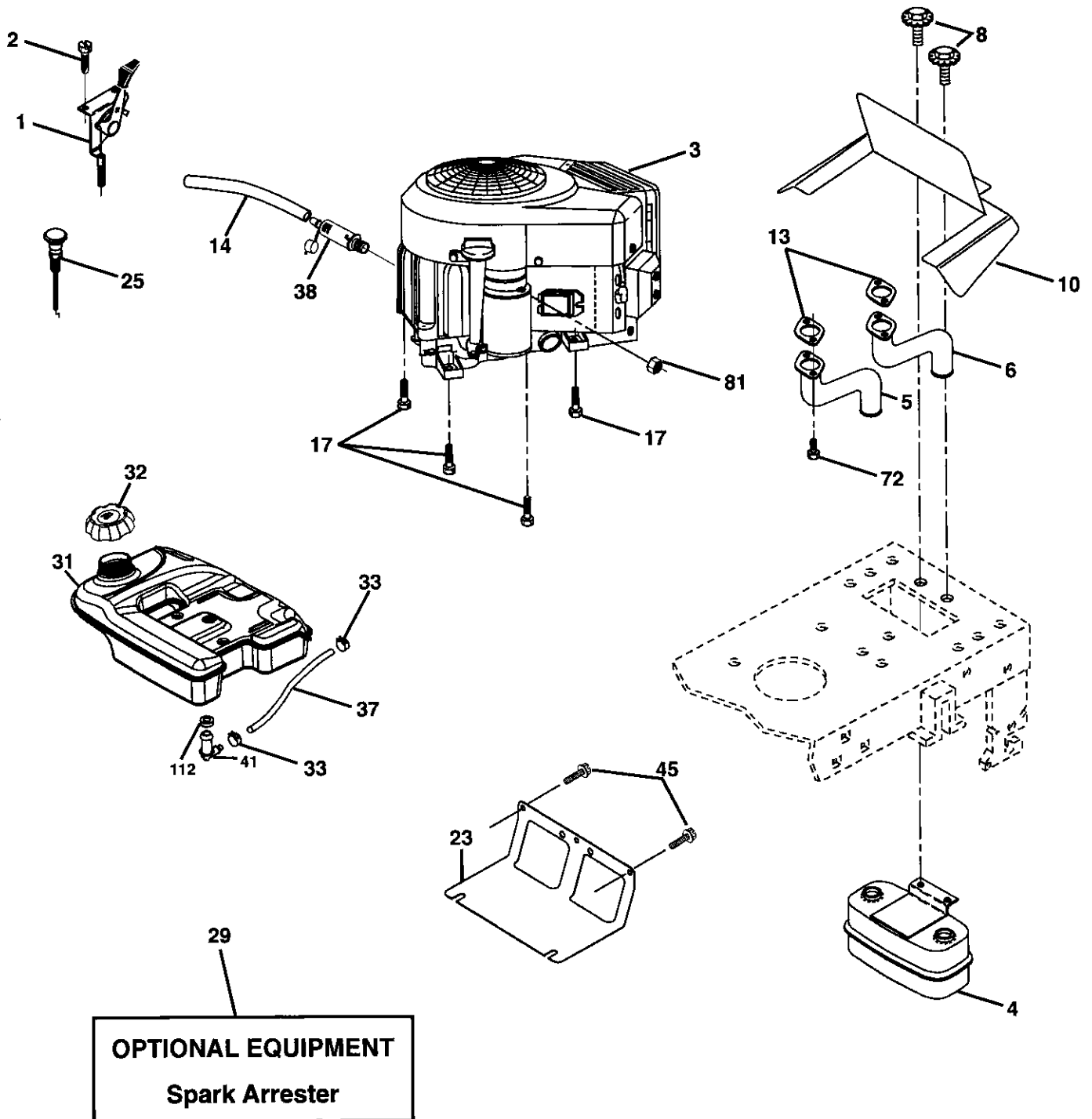
KEY NO.	PART NO.	DESCRIPTION
1	59192	Cap Valve Tire
2	65139	Stem Valve
3	106222X	Tire F Ts 15 x 6 0 - 6 Service
4	59904	Tube Front (Service Item Only)
5	106732X417	Rim Asm 6" front Service
6	278H	Fitting Grease (Front Wheel Only)
7	9040H	Bearing Flange (Front Wheel Only)
8	106108X417	Rim Asm 8" rear Service
9	138468	Tire R Ts 20 x 8-8 C Service
10	7152J	Tube Rear (Service Item Only)
11	104757X428	Cap Axle Blk 1 50 x 1 00
--	144334	Sealant, Tire ( 10 oz. Tube)

**NOTE:** All component dimensions given in U.S. inches  
1 inch = 25.4 mm

# REPAIR PARTS

TRACTOR- -MODEL NO. 917. 277620

## ENGINE



engine-bs intek-twin\_39

# REPAIR PARTS

## TRACTOR- -MODEL NO. 917. 277620

### ENGINE

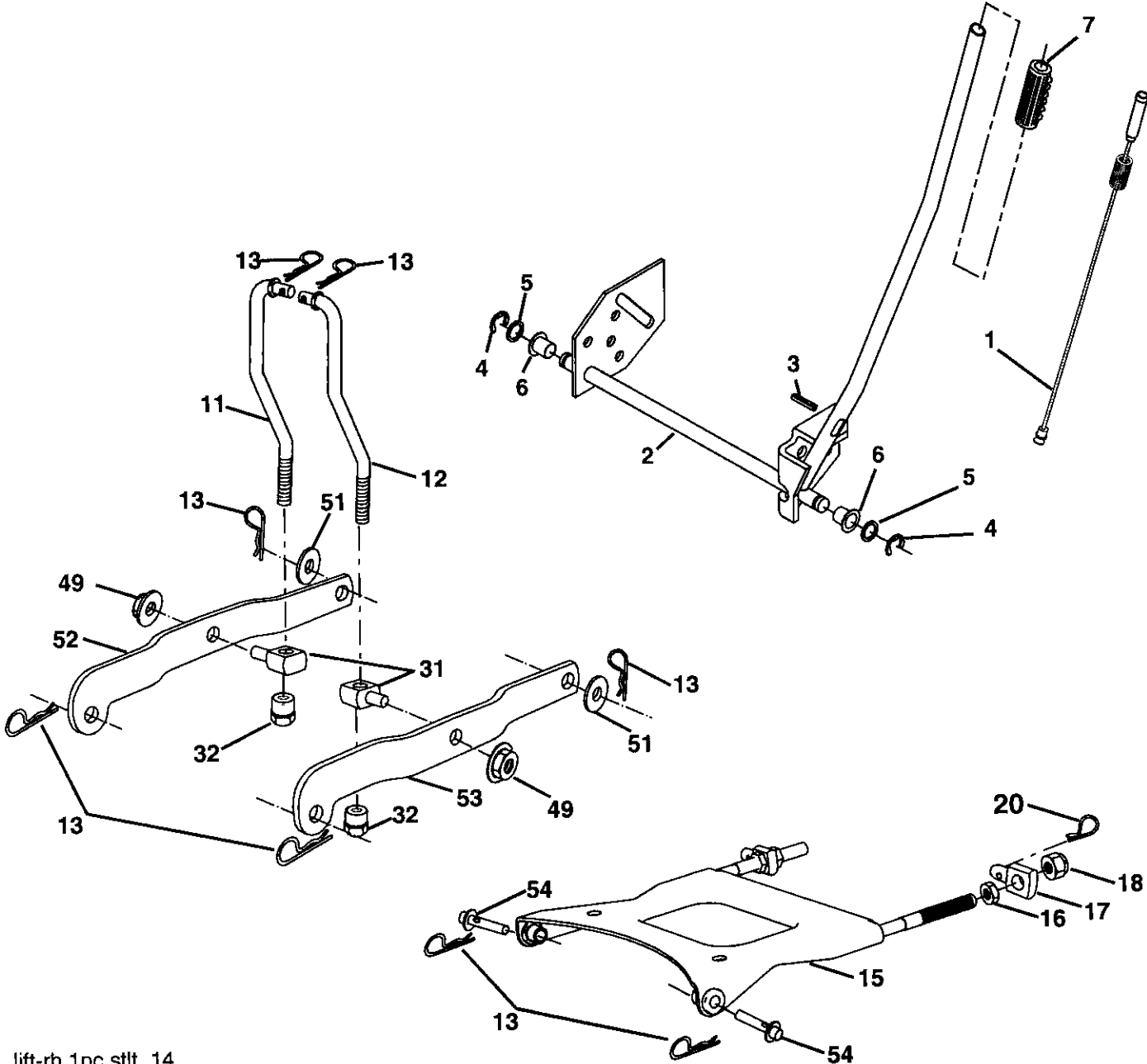
KEY NO.	PART NO.	DESCRIPTION
1	175437X505	Control Throttle
2	191611	Screw 10 x 3/4 Single Lead-Hex
3	-----	Engine, Briggs Model No. 445677-0503-E1 (See Breakdown)
4	149723	Muffler Asm Twin Lo-Tone
5	159955	Pipe Exhaust LH Intek
6	160589	Pipe Exhaust RH Intek
8	171877	Bolt 5/16-18 Unc x 3/4 w/Sems
10	146629	Shield Heat Intek
13	165391	Muffler Gasket
14	148456	Tube Drain oil
17	17060624	Screw Thdrol 3/8-16 x 1-1/2
23	169837	Shield Browning
25	187767X505	Choke Control
29	137180	Kit Spark Arrestor (Flat Scrn)
31	179022	Tank Fuel 4.0 Rear
32	179124X428	Cap Asm Fuel
33	123487X	Clamp Hose Black
37	8543R	Line Fuel
38	181654	Plug Drain Oil Easy
41	139277	Stem Tank Fuel
45	17000612	Screw Hexwsh Thdr 3/8-16 x 3/4
72	183906	Screw 5/16-18 x 1
81	73510400	Nut Keps Hex 1/4-20 unc
112	3645J	Bushing

**NOTE:** All component dimensions given in U.S. inches  
1 inch = 25.4 mm

# REPAIR PARTS

TRACTOR- -MODEL NO. 917. 277620

## MOWER LIFT



lift-rh.1pc.stlt\_14



# REPAIR PARTS

## TRACTOR- -MODEL NO. 917. 277620

### MOWER LIFT

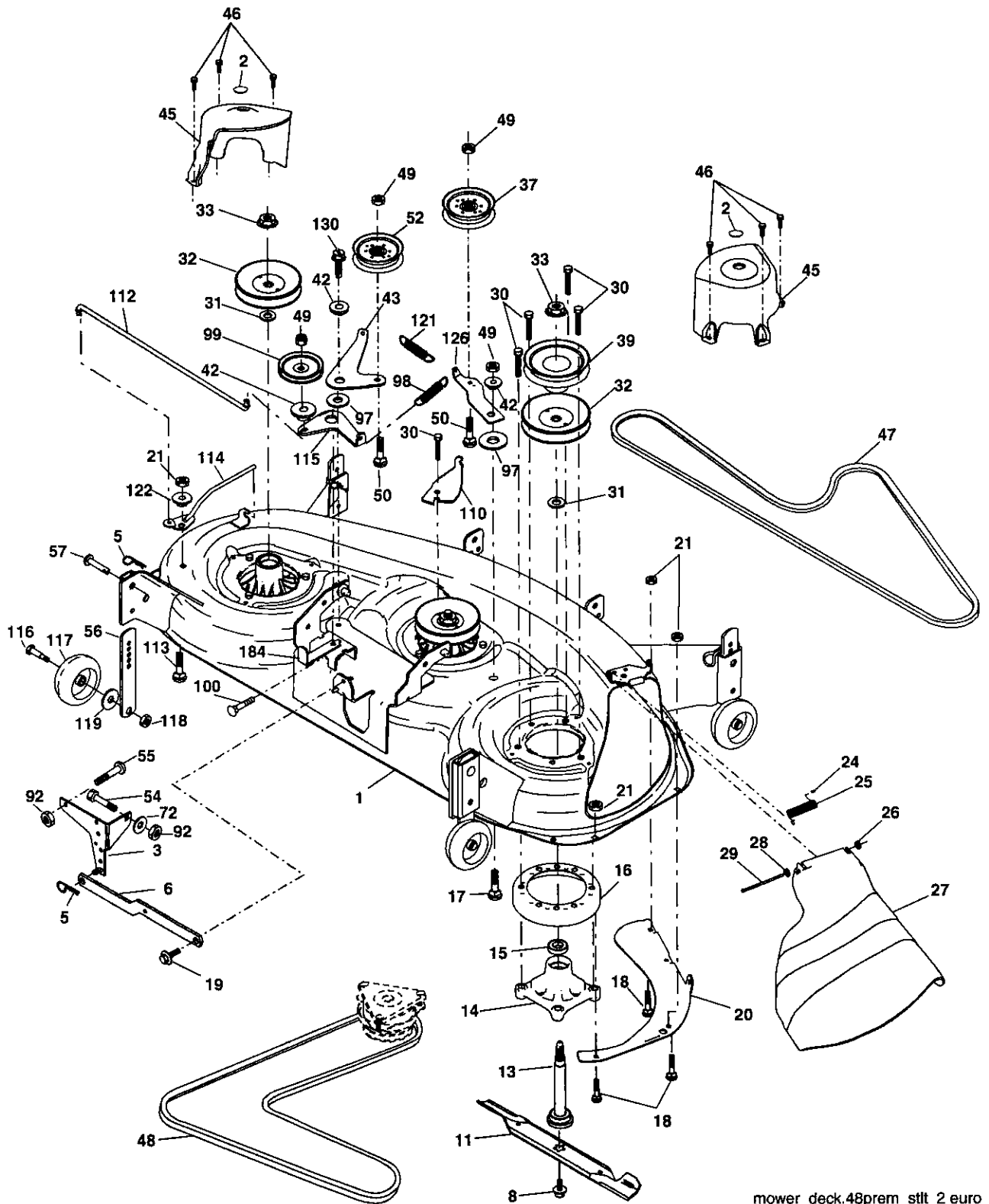
KEY NO.	PART NO.	DESCRIPTION
1	179504	Plunger Assembly
2	159476	Shaft Assembly, Lift
3	188822	Pin, Groove
4	12000002	E-Ring
5	19211621	Washer 21/32 x 1 x 21 Ga.
6	120183X	Bearing, Nylon
7	175830	Grip, Handle, Fluted
11	175370	Link, Lift, L.H.
12	175371	Link, Lift, R.H.
13	4939M	Retainer Spring
15	175562	Plate Asm Suspension Front
16	73350800	Nut Hex Jam 1/2-13 unc
17	175689	Trunnion Front Susp.
18	73800800	Nut Lock w/Wsh 1/2-13 unc
20	163552	Retainer Spring
31	176205	Trunion Sups. Arm.
32	175994	Nut Lift Link 7/16-20
49	145212	Nut Hex/Large Lock
51	19171416	Washer 17/32 x 7/8 x 16 Ga.
52	175378	Arm Suspension Rear LH
53	175802	Arm Suspension Rear RH
54	175560	Pin Flange

**NOTE:** All component dimensions given in U.S. inches  
1 inch = 25.4 mm

# REPAIR PARTS

TRACTOR- -MODEL NO. 917. 277620

MOWER



mower\_deck.48prem\_stift\_2 euro

# REPAIR PARTS

## TRACTOR- -MODEL NO. 917. 277620

### MOWER

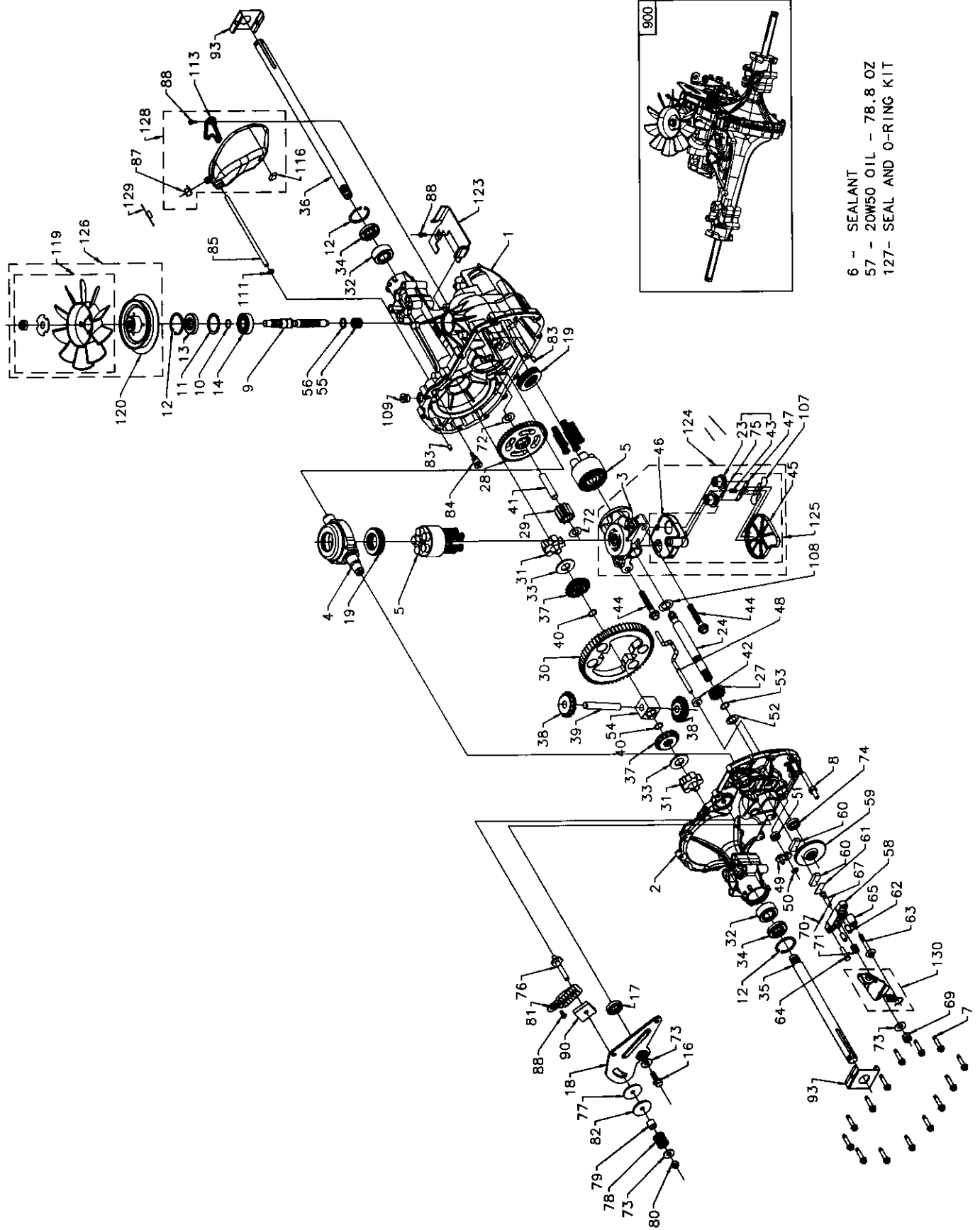
KEY NO.	PART NO.	DESCRIPTION	KEY NO.	PART NO.	DESCRIPTION
1	180358	Deck Weldment Mower 48	50	72110612	Bolt, Carr. 3/8-16 x 1-1/2 Gr. 5
2	178345	Plug Hole Mandrel Exp.	52	175820	Pulley Idler Flat
3	138017	Bracket Asm., Sway Bar	54	74780616	Bolt Fin Hex 3/8-16 unc x 1 Gr. 5
5	4939M	Retainer Spring	55	72140608	Bolt Rdhd Sqnk 3/8-16 unc x 1
6	178024	Bar Sway Deck	56	155986	Bar Pnt Adj.
8	174365	Bolt 7/16 Asm. Blade	57	156941	Pin Head Rivet
11	180054	Blade, 48" Hi-Lift	72	19131312	Washer 13/32 x 13/16 x 12 Ga.
13	174360	Shaft Mandrel Asm. Greaseable	92	73800600	Nut Lock Hex w/Ins 3/8-16 unc
14	174358	Housing Mandrel	97	178515	Washer Hardened
15	110485X	Bearing, Ball, Mandrel	98	179479	Spring Primary Drive
16	174493	Stripper Mandrel Deck	99	189993	Pulley Idler"V"
17	72110610	Bolt RDHD Sq Neck 3/8-16 x 1.25	100	72110616	Bolt RDHD Sqnk 3/8-16 unc x 2
18	72140505	Bolt, Carriage 5/16-18 x 5/8	110	175016	Arm Spring Secondary
19	132827	Bolt, Hex Hd, Shoulder 5/16-18	112	174387	Link Tension Relief Lever
20	174378	Baffle, Vortex Mower	113	72110506	Bolt Carr. 5/16-18 x 3/4
21	73680500	Nut, Crownlock 5/16-18 unc	114	174384	Tension Asm Relief Lever
24	105304X	Cap, Sleeve	115	174609	Arm Spring Tension Relief
25	178102	Spring, Torsion	116	193406	Bolt, Shoulder 3/8-16 x 3-5/8 Gr. 5
26	110452X	Nut, Push	117	174873	Gauge Wheel
27	180655X428	Deflector Shield	118	73930600	Nut, Centerlock 3/8-16 unc
28	19111016	Washer 11/32 x 5/8 x 16 Ga.	119	19121414	Washer 3/8 x 7/8 x 14 Ga.
29	131491	Rod, Hinge	121	174371	Spring Secondary Drive
30	173984	Screw, Thdroll	122	174606	Bushing Pivot Tension Relief
31	187690	Washer, Spacer Mower Vented	126	174372	Arm, Idler, Primary Deck
32	153535	Pulley, Mandrel	130	17000616	Screw 3/8-16 x 1
33	178342	Nut, Flg. Top Lock Cntr. 9/16	184	173979	Keeper Belt Idler
37	177968	Pulley, Idler	--	174356	Mandrel Asm. Service (Includes Key Nos. 13-15)
39	174375	Pulley, Idler, Driven	--	181579	Replacement Mower, Complete (Std. Deck - Order separately nose roller components key nos. 91, 94, 95, 132, 182, and 183)
42	165723	Spacer, Retainer			
43	174373	Arm, Idler Secondary			
45	180806	Cover, Mandrel Deck			
46	137729	Screw, Thdroll. 1/4-20 x 5/8			
47	180808	V-Belt, Mower, Secondary			
48	174368	V-Belt, Mower, Primary			
49	73900600	Nut Lock Fig. 3/8-16 unc			

**NOTE:** All component dimensions given in U.S. inches  
1 inch = 25.4 mm

# REPAIR PARTS

TRACTOR- -MODEL NO. 917. 277620

HYDRO GEAR TRANSAXLE - MODEL NUMBER 314-0510



- 6 - SEALANT
- 57 - 20W50 OIL - 78.8 OZ
- 127- SEAL AND O-RING KIT

# REPAIR PARTS

## TRACTOR- -MODEL NO. 917. 277620

### HYDRO GEAR TRANSAXLE - MODEL NUMBER 314-0510

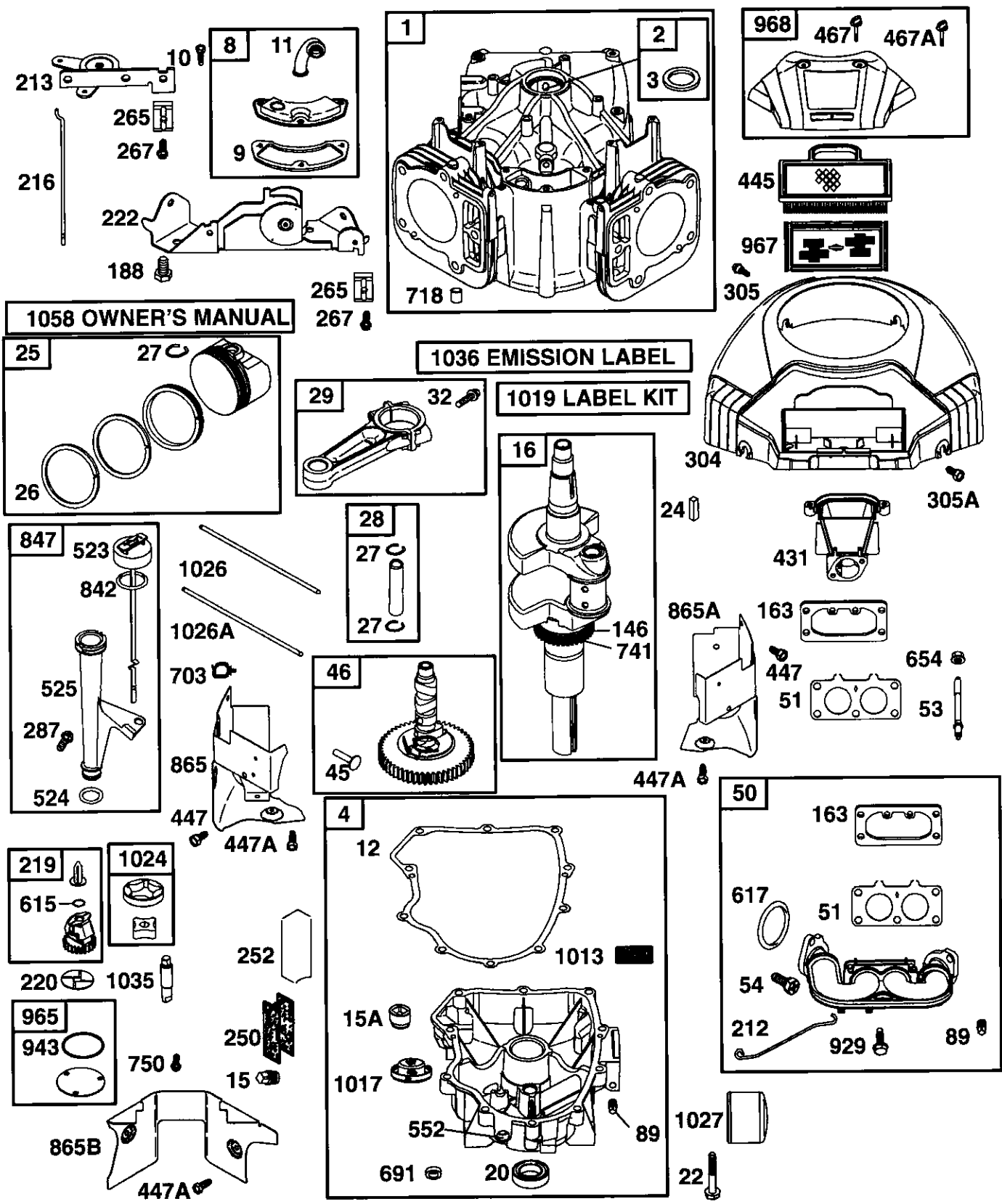
KEY NO.	PART NO.	DESCRIPTION	KEY NO.	PART NO.	DESCRIPTION
1	170351	Kit, Main Housing Main Housing, Machined Bushing .865 X .985 X .790	71	170417	Brake Spring
2	170352	Kit, Side Housing Side Housing, Machined Bushing .865 X .985 X .790	72	170418	Washer (310-0750)
		Bushing .624 X .719 X .562	73	142884	Washer, Flat
3	170353	Kit, Center Section Center Section, Machined Bushing .707 X .788 X .591	74	170419	Seal, Oil
4	170354	Swashplate, Trunnion Machined	75	170420	Ass'y Check Plug
5	169898	Kit, Cylinder Block (10cc) Block - Cylinder Piston Spring, Compression Washer Thrust	76	170421	Bolt, Stud 5/16-24
		Sealant Tube	77	170422	Puck, Friction
6	178322	Hexflange Screw 1/4-20 X 1.25	78	142969	Spring
7	170356	Stud, 5/16-24 Hex Double End	79	142980	Spacer
8	170357	Shaft, Input	80	150778	Nut, Nylon Insert Hex Lock 5/16-24
9	170358	Retaining Ring	81	170423	Wedge, Friction
10	170359	Spacer	82	170424	Clip, Washer
11	170360	Retaining Ring	83	161168	Pin
12	169870	Seal, Lip .67 X 1.58 X .276	84	170425	Fitting, 5/16 X Sae 5/32 Tube
13	170361	Bearing, Ball 6203 (BDR)	85	170426	Hose, Expansion Tank
14	173158	Hex Flange Head Screw 1/4-20 X 1.25	87	173160	Cap, Vent
16	170362	Seal, Lip 18 X 32 X 7	88	178334	Bolt, Self Tapping (BDR)
17	170363	Arm, Control	90	170430	Puck, Inner Wedge
18	170364	Bearing, Thrust (10cc)	93	170431	Spring Clip, Housing
19	173159	Check Plug Assembly	107	170432	Deflector
23	170365	Shaft Motor	108	170433	Washer, Motor Shaft .71ID X 1.15OD X .03 Thick
24	170366	Gear, Pinion, 13t	109	170434	Plug, Straight Thread 9/16-18
27	170367	10t / 48t Gear	111	170435	O-ring .7 X .301 ID
28	170368	Gear, 10t Jackshaft	113	170437	Bracket, Support Expansion Tank
29	170369	60t Bullgear	119	191031	Kit, Fan - Washer - Nut
30	170370	Sleeve Bearing .75 X 1.75 X .625			Fan, 7 In
31	170371	Sleeve Bearing (Outboard) .75 X 1.575 X .625	120	188312	Hex Lock Nut 1/2-20 (Nylon Insert)
32	170389	Washer	123	178800	Washer, Or Slotted, .53 X 1.63 X .06
		Lip Seal, Axle Shaft	124	170444	Pulley
33	142991	Shaft, Axle (Keyed, R.h.)			Belt Keeper
34	170390	Shaft, Axle (Keyed, L.h.)			Kit, Center Section Filter Bypass
35	170391	Gear, Splined Diff. (210-1000 & 310-0750)			Center Section Machining
36	170392	Gear, Miter Diff. (210-1000 & 310-0750)			Base Filter W/ Poppet
37	150792	Differential Shaft (310-0750)			Check Plug Assembly, .027 Washer
		Retaining Ring	125	170445	Check Plug Assembly, Washer
38	150793	Pin, Jackshaft			Spring, Bypass
39	150809	Magnet, Ring			Actuator, Bypass
40	170393	Spring, Bypass			Deflector
41	170394	Bolt 3/8-24 X 2-1/2			Bottom, Filter
42	170395	Filter			Bushing, .707 X .788 X .591
43	170396	Base, Filter			Kit, Filter
44	150797	Actuator, Bypass			Bottom, Filter
45	170397	Rod, Bypass Actuator			Spring, Bypass
46	170398	Arm, Bypass	126	191028	Actuator, Bypass
47	170399	Retaining Ring .25 External			Deflector
48	170400	Seal, Lip .741 X .25 X .25			Base, Filter W/ Poppet
49	170401	Washer, Flat 0.050" (210-1000)			Kit, Fan/pulley
50	170402	Retaining Ring			Hex Jam 1/20-20 (Nylon Inset)
51	170403	Bearing, Center Block			Washer, OD Slotted, .53 X 1.63 X .06
52	170404	Spring, Helical Compression			Fan, 7 In
53	170405	Washer, Block Thrust			Pulley
54	170406	20W-50 Oil			Kit, Seal
55	142977	Kit, Brake Yoke			Lip Seal .67 X 1.58 X .276
56	142978	Rotor, Brake			Lip Seal 18 X 32 X 7
57	---	Brake Puck			Lip Seal .706 X 1.584 X .25
58	142929	Brake Puck Plate			Lip Seal .741 X .250 X .250 Tc
59	170408	Pin, Brake Actuating			Oil Seal .625 X 1.0 X .25
60	142883	Hfhcs 1/4-20 X 2 W/patch, Special Flange			O-ring .07 X .301 ID
61	142882	Bolt, Nylok	127	170447	Kit, Expansion Tank, Tank, Expansion
62	170409	Spacer, Brake Torsion Spring			Cap, Vent Bolt, Self Tapping 10-32 X 1/2
63	170410	Bolt, Square Head - Brake			Bracket, Support Expansion Tank
64	142892	Nut, Castle 5/16-24	128	173165	Silicon Sponge 1/2 X 1/2 X 3/16
65	170411	Pin, Cotter 3/32x3/4			Cap, Expansion Tank Shipping
66	170413		129	191032	Kit, Brake Arm And Spring Arm, Brake
67	170414		130	186352	Spring, Brake Arm Bias Instruction Sheet
68	170415				
69	170416				
70	170416				

**NOTE:** All component dimensions given in U.S. inches 1 inch = 25.4 mm

# REPAIR PARTS

TRACTOR- -MODEL NO. 917. 277620

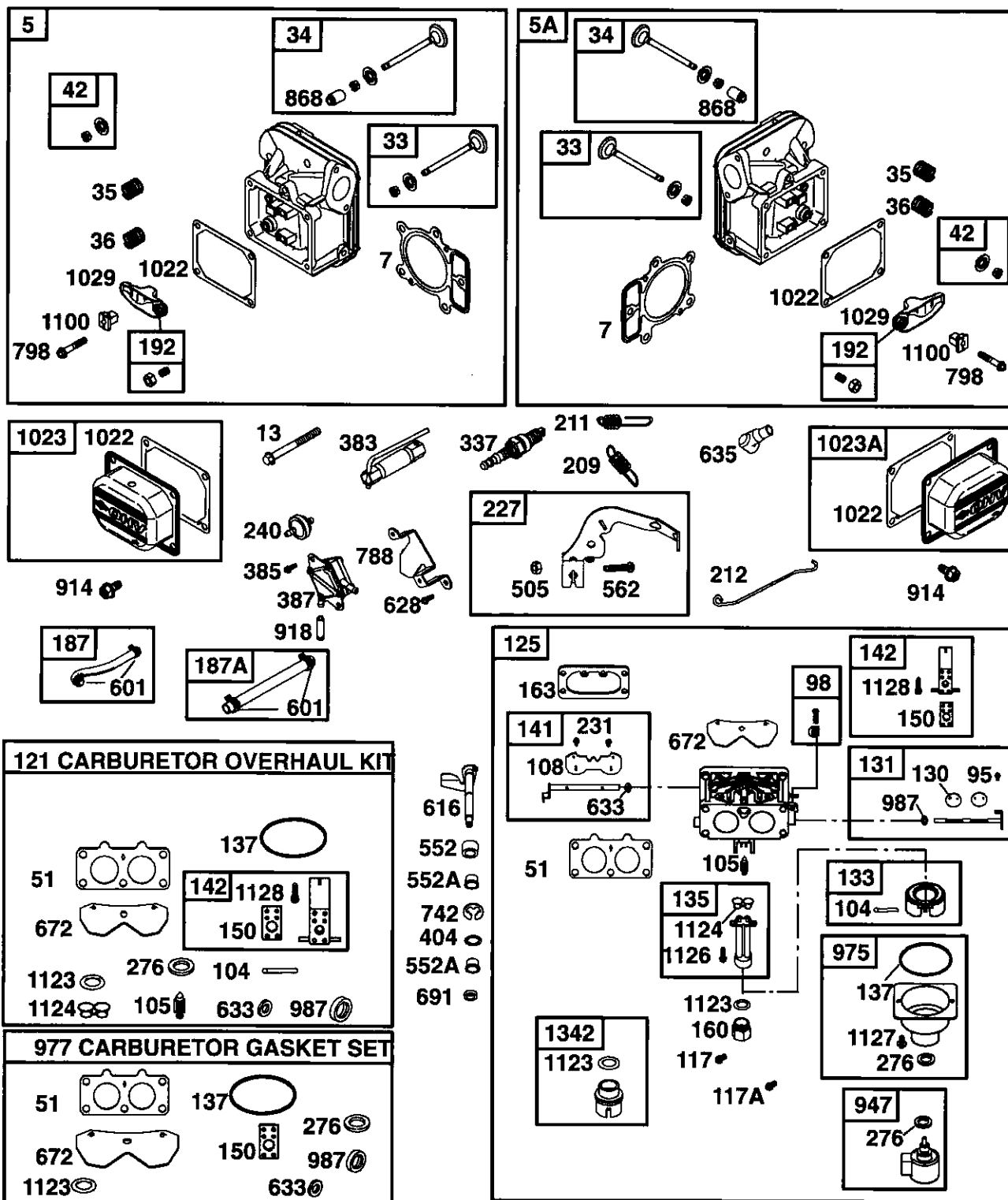
BRIGGS & STRATTON ENGINE - - MODEL NUMBER 445677, TYPE NUMBER 0503-E1



# REPAIR PARTS

TRACTOR- -MODEL NO. 917. 277620

BRIGGS & STRATTON ENGINE - - MODEL NUMBER 445677, TYPE NUMBER 0503-E1

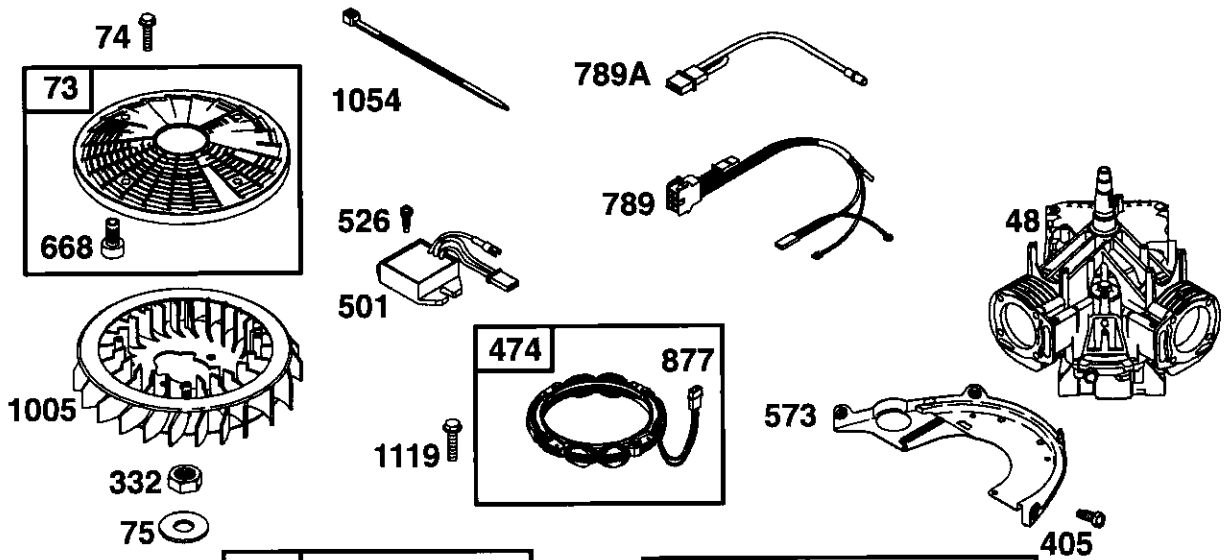


# REPAIR PARTS

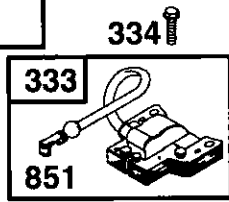
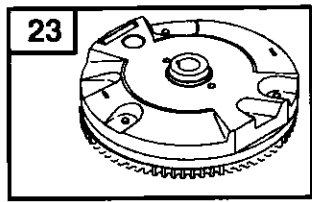
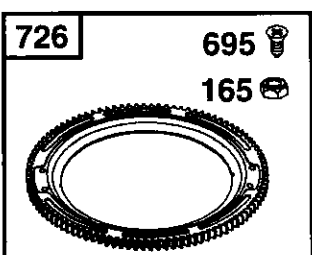
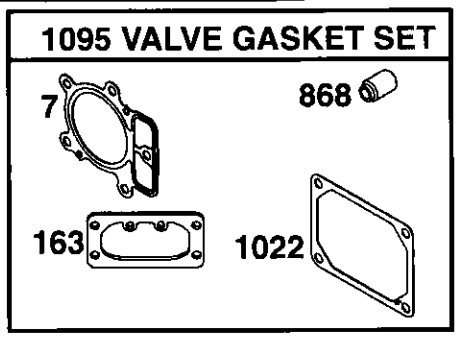
TRACTOR- -MODEL NO. 917. 277620

BRIGGS & STRATTON ENGINE - - MODEL NUMBER 445677, TYPE NUMBER 0503-E1

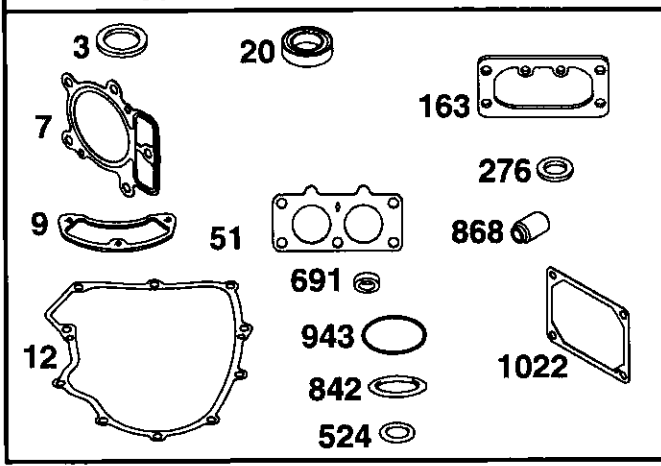
## 1329 REPLACEMENT ENGINE



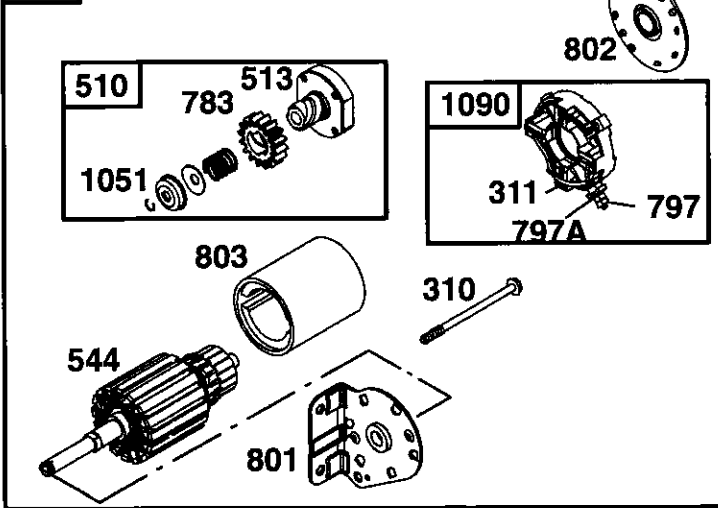
## 1330 REPAIR MANUAL



## 358 ENGINE GASKET SET



## 309





# REPAIR PARTS

## TRACTOR--MODEL NO. 917. 277620

### BRIGGS & STRATTON ENGINE - - MODEL NUMBER 445677, TYPE NUMBER 0503-E1

KEY NO.	PART NO.	DESCRIPTION	KEY NO.	PART NO.	DESCRIPTION
1	699753	Cylinder Assembly	130	690993	Valve-Throttle
2	499585	Kit-Bushing/Seal (Magneto Side)	131	499805	Kit-Throttle Shaft
3	391086	• Seal-Oil (Magneto Side)	133	699724	Float-Carburetor
4	699747	Sump-Engine	135	699729	Tube-Fuel Transfer
5	693998	Head-Cylinder (Cylinder 1)	137	690994	Ø‡ Gasket-Float Bowl
5A	693999	Head-Cylinder (Cylinder 2)	141	699722	Kit-Choke Shaft
7	693997	•+ Gasket-Cylinder Head	142	699726	Ø Nozzle-Carburetor
8	499601	Breather Assembly	146	690979	Key-Timing
9	690937	• Gasket-Breather	150	690995	Ø‡ Gasket-Nozzle
10	691108	Screw (Breather Assembly)	160	699727	Retainer-Solenoid
11	690942	Tube-Breather	163	691001	•+ Gasket-Air Cleaner
12	697227	• Gasket-Crankcase	165	693148	Nut (Ring Gear)
13	791130	Screw (Cylinder Head)	187	691049	Line-Fuel
15	690946	Plug-Oil Drain	187A	691050	Line-Fuel (Cut to Required Length)
15A	691680	Plug-Oil Drain	188	691108	Screw (Control Bracket)
16	699700	Crankshaft	192	690083	Adjuster-Rocker Arm
20	690947	• Seal-Oil (PTO Side)	209	697674	Spring-Governor
22	694966	Screw (Crankcase Cover)	211	691019	Spring-Governed Idle
23	691053	Flywheel	212	695238	Link-Governor
24	222698	Key-Flywheel	213	691021	Bracket-Choke Control
25	694003	Piston Assembly (Standard)	216	691022	Link-Choke
--	694007	Piston Assembly (.020" Oversize)	219	698231	Gear-Governor
26	694004	Ring Set (Standard)	220	690412	Washer (Governor Gear)
--	694008	Ring Set (.020" Oversize)	222	698757	Bracket-Control
27	690975	Lock-Piston Pin	227	691048	Lever-Governor Control
28	690229	Pin-Piston (Standard)	231	690718	Screw (Choke Valve)
29	699699	Rod-Connecting (Standard)	240	691035	Filter-Fuel
32	690976	Screw (Connecting Rod)	250	690957	Retainer-Breather
33	499596	Valve-Exhaust	252	690956	Collector-Oil
34	697464	Valve-Intake	265	691024	Clamp-Casing
35	690963	Spring-Valve (Intake)	267	695134	Screw (Casing Clamp)
36	690963	Spring-Valve (Exhaust)	276	690997	•Ø‡ Washer-Sealing
42	499586	Keeper-Valve	287	691108	Screw (Dipstick/Tube Assembly)
45	690977	Tappet-Valve	304	790688	Housing-Blower
46	790562	Camshaft	305	691005	Screw (Blower Housing)
48	698172	Short Block	305A	790690	Screw (Blower Housing)
50	695241	Manifold-Intake	309	691262	Motor-Starter
51	690950	•Ø‡ Gasket-Intake	310	691263	Screw (Starter Motor)
53	690951	Stud (Carburetor)	311	497608	Brush Set
54	695239	Screw (Intake Manifold)	332	691059	Nut (Flywheel)
73	494439	Screen-Rotating	333	691060	Armature-Magneto
74	698425	Screw (Rotating Screen)	334	691061	Screw (Magneto Armature)
75	691056	Washer (Flywheel)	337	691043	Spark Plug
89	690283	Plug-Oil	358	694012	Gasket Set-Engine
95	690718	Screw (Throttle Valve)	363	19069	Puller-Flywheel
98	699721	Kit-Idle Speed	383	89838	Wrench-Spark Plug
104	694918	Ø Pin-Float Hinge	385	691108	Screw (Fuel Pump)
105	698537	Ø Valve-Float Needle	387	808656	Pump-Fuel
108	699723	Valve-Choke	404	690442	Washer (Governor Crank)
117	699732	Jet-Main (Standard)	405	697820	Screw (Back Plate)
117A	699733	Jet-Main (Standard)			
121	699734	Kit-Carburetor Overhaul			
125	699709	Carburetor			

- Included in Engine Gasket Set, Key. No. 358
- Ø Included in Carburetor Overhaul Kit, Key. No. 121
- ‡ Included in Carburetor Gasket Set, Key. No. 977
- + Included in Valve Overhaul Kit, Key. No. 1095

**NOTE:** All component dimensions given in U.S. inches 1 inch = 25.4 mm

# REPAIR PARTS

## TRACTOR- -MODEL NO. 917. 277620

### BRIGGS & STRATTON ENGINE - - MODEL NUMBER 445677, TYPE NUMBER 0503-E1

KEY NO.	PART NO.	DESCRIPTION	KEY NO.	PART NO.	DESCRIPTION
431	790816	Elbow-Air Cleaner	865B	691015	Cover-Air Guide
445	499486	Filter-Air Cleaner Cartridge	868	690968	*+ Seal-Valve
447	691003	Screw (Air Guide Cover)	877	399916	Wire/Connector-Alternator
447A	690960	Screw (Air Guide Cover)	914	691127	Screw (Rocker Arm Cover)
467	691008	Knob-Air Cleaner	918	694000	Hose-Vacuum
467A	790697	Knob-Air Cleaner	929	691003	Screw (Choke Control Bracket)
474	696458	Alternator	943	690589	• Seal-O Ring (Oil Pump Cover)
501	691185	Regulator	947	699728	Solenoid-Fuel
505	691029	Nut (Governor Control Lever)	965	499613	Cover-Oil Pump
510	497606	Drive-Starter	967	273638	Filter-Pre Cleaner
513	692024	Clutch-Drive	968	790689	Cover-Air Cleaner
523	691036	Dipstick	975	499810	Bowl-Float
524	691032	• Seal-O Ring (Dipstick Tube)	977	699735	Gasket Set-Carburetor
525	691037	Tube-Dipstick	987	691000	∅‡ Seal-Throttle Shaft
526	691108	Screw (Regulator)	1005	790698	Fan-Flywheel
544		Armature-Starter (Serviced by 691262 Starter Motor Only)	1013	690954	Nipple-Oil Filter
552	690552	Bushing-Governor Crank	1017	690770	Screen-Oil Pump
552A	690553	Bushing-Governor Crank	1019	693995	Kit-Label
562	690311	Bolt (Governor Control Lever)	1022	690971	*+ Gasket-Rocker Cover
573	691009	Plate-Back	1023	499599	Cover-Rocker Arm (Cylinder 1)
601	691038	Clamp-Hose	1023A	499600	Cover-Rocker Arm (Cylinder 2)
615	698290	Retainer-Governor Shaft	1024	499054	Pump-Oil
616	691045	Crank-Governor	1026	690981	Rod-Push (Steel)
617	697891	Seal-O Ring (Intake Manifold)	1026A	690982	Rod-Push (Aluminum)
628	691108	Screw (Fuel Pump Bracket)	1027	492932	Filter-Oil
633	690998	∅‡ Seal-Choke/Throttle Shaft	1029	690972	Arm-Rocker
635	66538	Boot-Spark Plug	1035	691042	Shaft-Pump
654	690958	Nut (Carburetor)	1036	790626	Label-Emission
668	691215	Spacer	1051	691265	Ring-Retaining
672	690234	∅‡ Gasket-Carburetor Plate	1054	280275	Cable-Tie
691	690657	• Seal-Governor Shaft	1058	275475	Owner's Manual
695	693149	Screw (Ring Gear)	1090	691293	Retainer-Brush
697	690372	Screw (Drive Cap)	1095	694013	Set-Valve Gasket
703	691010	Clip	1100	690973	Pivot-Rocker Arm
718	690959	Pin-Locating	1119	691183	Screw (Alternator)
726	499612	Gear-Ring	1123	699725	∅‡ Seal-O Ring (Solenoid Retainer)
741	690980	Gear-Timing	1124	690988	∅ Seal-O Ring (Fuel Transfer Tube)
742	690328	Retainer-E Ring	1126	690991	Screw (Fuel Transfer Tube)
750	696999	Screw (Oil Pump Cover)	1127	690992	Screw (Float Bowl)
783	693058	Gear-Pinion	1128	690990	Screw (Carburetor Nozzle)
788	691039	Bracket-Fuel Pump	1329	445777-0027	Replacement Engine (If the original engine is equipped with a six pin wiring harness, transfer to the replacement engine)(Transfer Governor Spring to the replacement engine) (Transfer oil sensor to the replacement engine)
789	696576	Harness-Wiring	1330	273521	Repair Manual
789A	790544	Harness-Wiring	1342	699731	Extension-Fuel Transfer Tube
797	691029	Nut (Brush Retainer)			
797A	693167	Nut (Brush Retainer)			
798	697890	Screw (Rocker Arm)			
801	691283	Cap-Drive			
802	691286	Cap-End			
803		Housing-Starter (Serviced by 691262 Starter Motor Only)			
842	691031	• Seal-O Ring (Dipstick)			
847	499602	Assembly-Dipstick/Tube			
851	493880	Terminal-Spark Plug			
865	691012	Cover-Air Guide (Cylinder 1)			
865A	691014	Cover-Air Guide (Cylinder 2)			

- Included in Engine Gasket Set, Key. No. 358
- ∅ Included in Carburetor Overhaul Kit, Key. No. 121
- ‡ Included in Carburetor Gasket Set, Key. No. 977
- + Included in Valve Overhaul Kit, Key. No. 1095

**NOTE:** All component dimensions given in U.S. inches 1 inch = 25.4 mm