

Owner's Manual

**CRAFTSMAN®**

**5.5 HORSEPOWER  
22 INCH CUT  
WHEELED  
WEEDTRIMMER**

Model No.  
917.773422

- **Safety**
- **Assembly**
- **Operation**
- **Maintenance**
- **Español**
- **Repair Parts**



**CAUTION:**  
Read and follow all  
Safety Rules and Instructions  
before operating this equipment.

Sears, Roebuck and Co., Hoffman Estates, IL 60179  
Visit our Craftsman website: [www.sears.com/craftsman](http://www.sears.com/craftsman)

## TABLE OF CONTENTS

Warranty .....	2	Product Specifications .....	9
Safety Rules .....	2-4	Service and Adjustments .....	13-14
Assembly .....	5	Storage .....	15
Operation .....	6-8	Troubleshooting .....	16
Maintenance Schedule .....	9	Repair Parts .....	34-41
Maintenance .....	9-12	Parts Ordering .....	Back Cover

## WARRANTY

### LIMITED TWO YEAR WARRANTY ON CRAFTSMAN WEEDTRIMMER

For two years from date of purchase, when this Craftsman Weedtrimmer is maintained, lubricated, and tuned up according to the operating and maintenance instructions in the owner's manual, Sears will repair free of charge any defect in material or workmanship.

If this Craftsman Weedtrimmer is used for commercial or rental purposes, this warranty applies for only 90 days from the date of purchase.

This Warranty does not cover:

- Expendable items which become worn during normal use, such as rotating lines, belts, air cleaners and spark plug.
- Repairs necessary because of operator abuse or negligence, including bent crankshafts and the failure to maintain the equipment according to the instructions contained in the owner's manual.

Warranty service is available by returning the Craftsman Weedtrimmer to the nearest Sears Service Center in the United States. This warranty applies only while this product is in use in the United States.

This Warranty gives you specific legal rights, and you may also have other rights which vary from state to state.

Sears, Roebuck and Co., Dept. 817 WA, Hoffman Estates, IL 60179

---

**WARNING:** This trimmer is equipped with an internal combustion engine and should not be used on or near any unimproved forest-covered, brush-covered or grass-covered land unless the engine's exhaust system is equipped with a spark arrester meeting applicable local or state laws (if any). If a spark arrester is used, it should be maintained in effective working order by the operator.

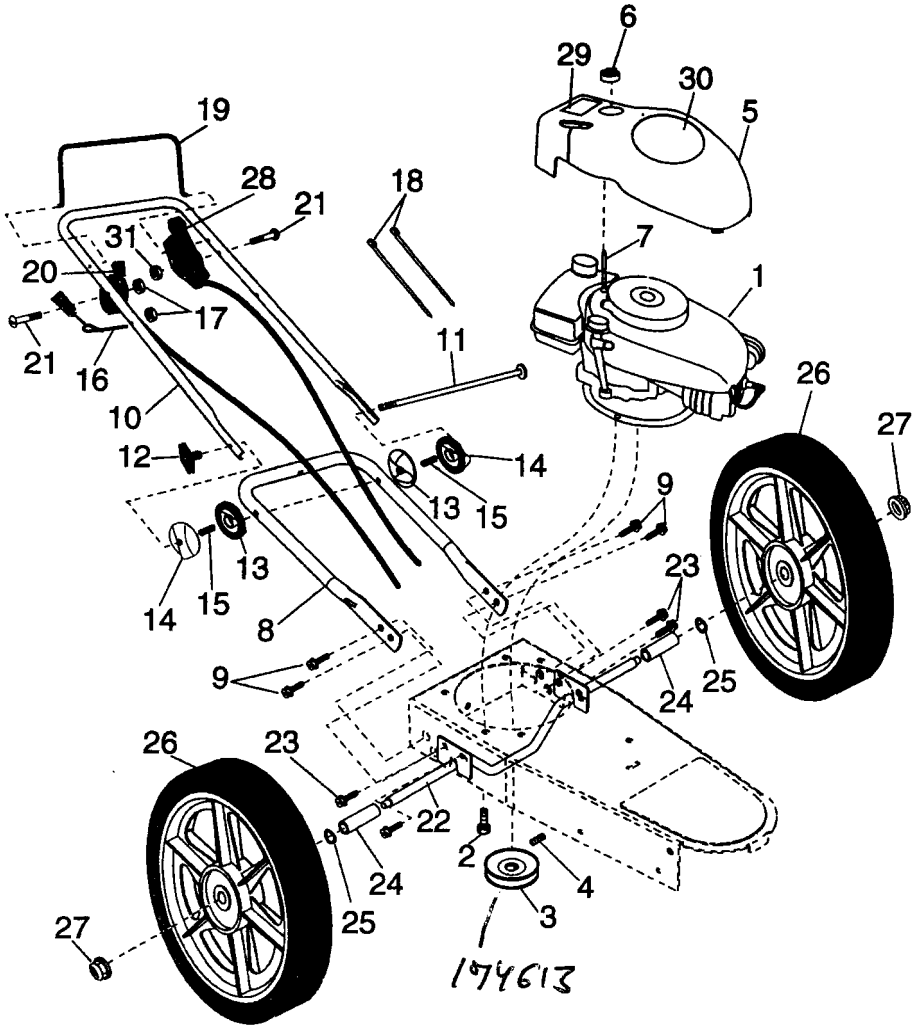
In the state of California the above is required by law (Section 4442 of the California Public Resources Code). Other states may have similar laws. Federal laws apply on federal lands. A spark arrester for the muffler is available through your nearest Sears service center (See REPAIR PARTS section of this manual).

## SOLUCIÓN DE PROBLEMAS

PROBLEMA	CAUSA	CORRECCIÓN
<b>No arranca</b>	<ol style="list-style-type: none"> <li>1. Filtro de aire sucio.</li> <li>2. Sin combustible.</li> <li>3. Combustible rancio.</li> <li>4. Agua en el combustible.</li> <li>5. Alambre de la bujía desconectado.</li> <li>6. Bujía mala.</li> <li>7. La palanca de control de la aceleración no está en posición correcta (si existe).</li> </ol>	<ol style="list-style-type: none"> <li>1. Limpie/cambie el filtro de aire.</li> <li>2. Llene el estanque de combustible.</li> <li>3. Drene el estanque y vuelva a llenarlo con combustible limpio y nuevo.</li> <li>4. Drene el estanque de combustible y el carburador y vuelva a llenar el estanque con gasolina nueva.</li> <li>5. Conecte el alambre a la bujía.</li> <li>6. Cambie la bujía.</li> <li>7. Mover la palanca de aceleración en la posición RÁPIDA.</li> </ol>
<b>Pérdida de potencia</b>	<ol style="list-style-type: none"> <li>1. Filtro de aire sucio.</li> <li>2. Acumulación de hierba, hojas y residuos debajo de la recortadora.</li> <li>3. Demasiado aceite en el motor.</li> <li>4. Velocidad de recorrido demasiado rápida.</li> </ol>	<ol style="list-style-type: none"> <li>1. Limpie/cambie el filtro de aire.</li> <li>2. Limpiar debajo de la recortadora y del cabezal de la recortadora.</li> <li>3. Revise el nivel del aceite.</li> <li>4. Corte a una velocidad de recorrido más lenta.</li> </ol>
<b>Vibración excesiva</b>	<ol style="list-style-type: none"> <li>1. Líneas irregulares o rotas.</li> <li>2. Tuercas o pernos sueltos.</li> <li>3. Cabezal de la recortadora dañado.</li> </ol>	<ol style="list-style-type: none"> <li>1. Controlar las líneas de la recortadora.</li> <li>2. Controlar toda la ferretería, incluidos los pernos del motor.</li> <li>3. Controlar/arreglar el cabezal de la recortadora.</li> </ol>
<b>Cordón arrancador difícil de tirar</b>	<ol style="list-style-type: none"> <li>1. Cigüeñal del motor plegado.</li> </ol>	<ol style="list-style-type: none"> <li>1. Pongase en contacto con un centro de servicio Sears o con un otro centro de servicio cualificado.</li> </ol>
<b>Pérdida de movimiento del cabezal</b>	<ol style="list-style-type: none"> <li>1. Correa que no marcha.</li> </ol>	<ol style="list-style-type: none"> <li>1. Colocar la correa en las poleas o reemplazar la correa si está rota.</li> </ol>
<b>Difícil de empujar</b>	<ol style="list-style-type: none"> <li>1. Posición de la altura del mango no adecuada para usted.</li> </ol>	<ol style="list-style-type: none"> <li>1. Ajuste la altura del mango de modo que le acomode.</li> </ol>
<b>Rendimiento de corte escaso</b>	<ol style="list-style-type: none"> <li>1. La línea de la recortadora es demasiado corta.</li> <li>2. La palanca de control de la aceleración no está en posición correcta (si existe).</li> </ol>	<ol style="list-style-type: none"> <li>1. Si la línea está gastada o rota hasta la mitad de su longitud original, reemplazar la línea.</li> <li>2. Mover la palanca de aceleración en la posición RÁPIDA.</li> </ol>
<b>El cabezal de la recortadora mantiene la línea</b>	<ol style="list-style-type: none"> <li>1. Línea de la recortadora no correctamente instalada/reemplazada.</li> <li>2. Clip del sujetador roto.</li> <li>3. Línea de la recortadora de medida incorrecta.</li> </ol>	<ol style="list-style-type: none"> <li>1. Seguir las instrucciones en la sección Mantenimiento.</li> <li>2. Reemplazar el conjunto de la placa portante de la cuerda.</li> <li>3. Utilizar una línea de recortadora de diámetro 155 inch.</li> </ol>

# REPAIR PARTS

CRAFTSMAN WEED TRIMMER -- MODEL NUMBER 917.773422



## CRAFTSMAN WEED TRIMMER -- MODEL NUMBER 917.773422

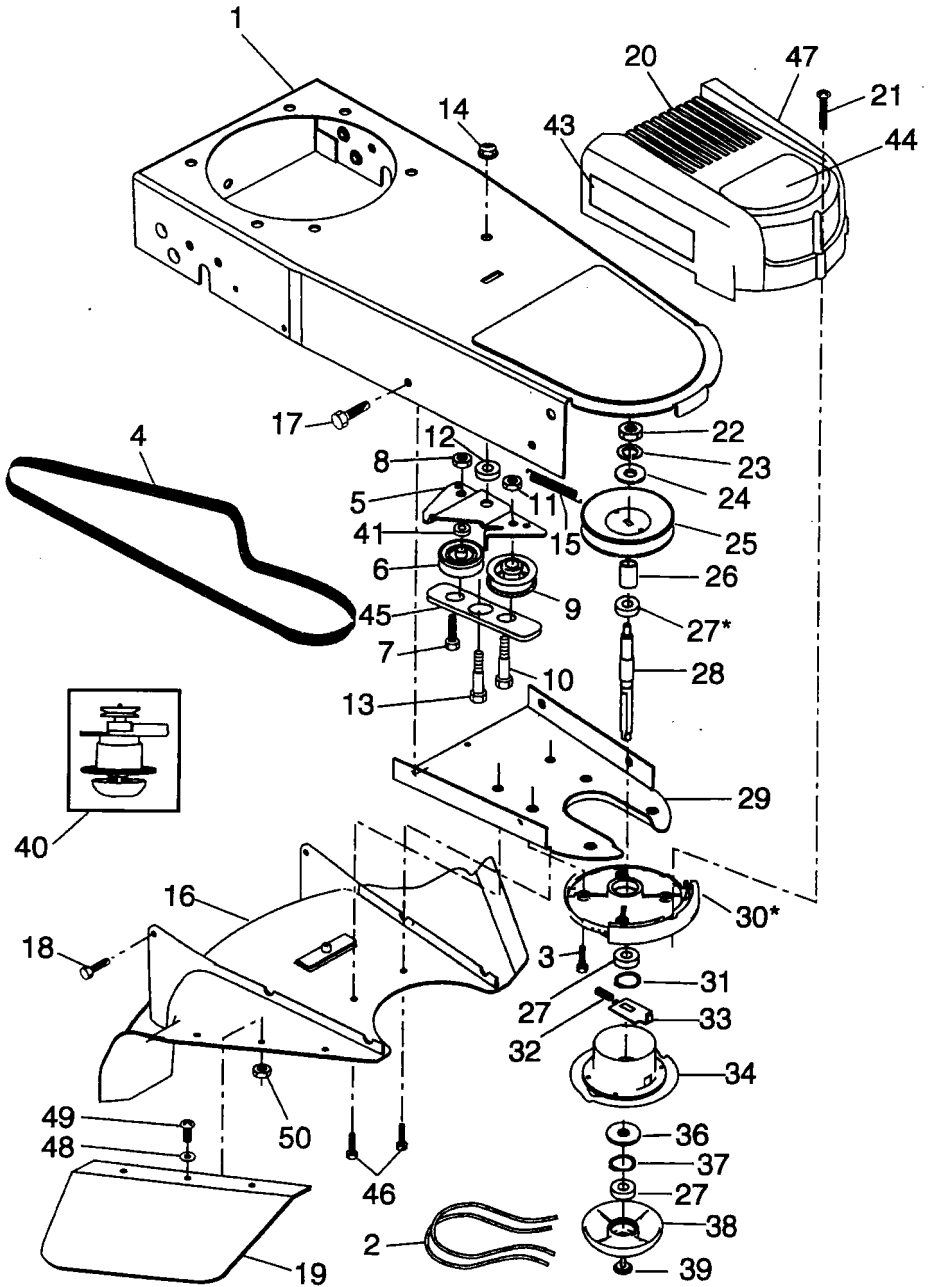
KEY NO.	PART NO.	DESCRIPTION
1	-----	Engine, Craftsman, Model Number 143.015502 (See Breakdown)
2	150406	Bolt, Engine Mounting 3/8-16
<u>174613</u>	<u>3</u>	<u>169791</u> Pulley, Engine (Includes Setscrew, Key #4)
4	STD502502	Setscrew, Pulley
5	174317	Cover, Engine, with Screen
6	174274	Knob, Engine Cover
7	174030	Stud, Engine Cover
8	169821X479	Handle, Lower
9	150078	Screw, Hex Washer Head 5/16-18 x .75
10	169797X479	Handle, Upper
11	170980	Bolt, Handle
12	136376	Knob, Handle
13	170681	Adjuster, Handle, Inside
14	170682	Adjuster, Handle, Outside
15	170554	Spring, Handle Adjust
16	153838	Guide, Rope
17	STD541025	Locknut 1/4 x 20
18	66426	Wire Tire
19	171449	Control Bar
20	174834	Throttle Control
21	158755	Screw, Hex Washer Head
22	174750X004	Axle Shaft Assembly
23	150078	Screw, Hex Washer Head 5/16-18 x .75
24	174751	Spacer, Axle
25	57143	Washer, Wave
26	752063	Wheel, 14 x 2
27	83923	Hex Flange Locknut 3/8-16
28	174037	Drive Control
29	174034	Decal, Warning
30	174039	Decal, Engine Cover
31	751152	Locknut 1/4-20
--	177731	Owner's Manual, English/Spanish

Available accessories not included with trimmer:

<u>7133823</u>	Gas Can (2.5 gal.)
<u>7133000</u>	SAE 30W Oil (20 oz.)
<u>7179991</u>	Trimmer Line (Pack of 24 strings, .155 dia.)

**NOTE:** All component dimensions given in U.S. inches  
1 inch = 25.4 mm

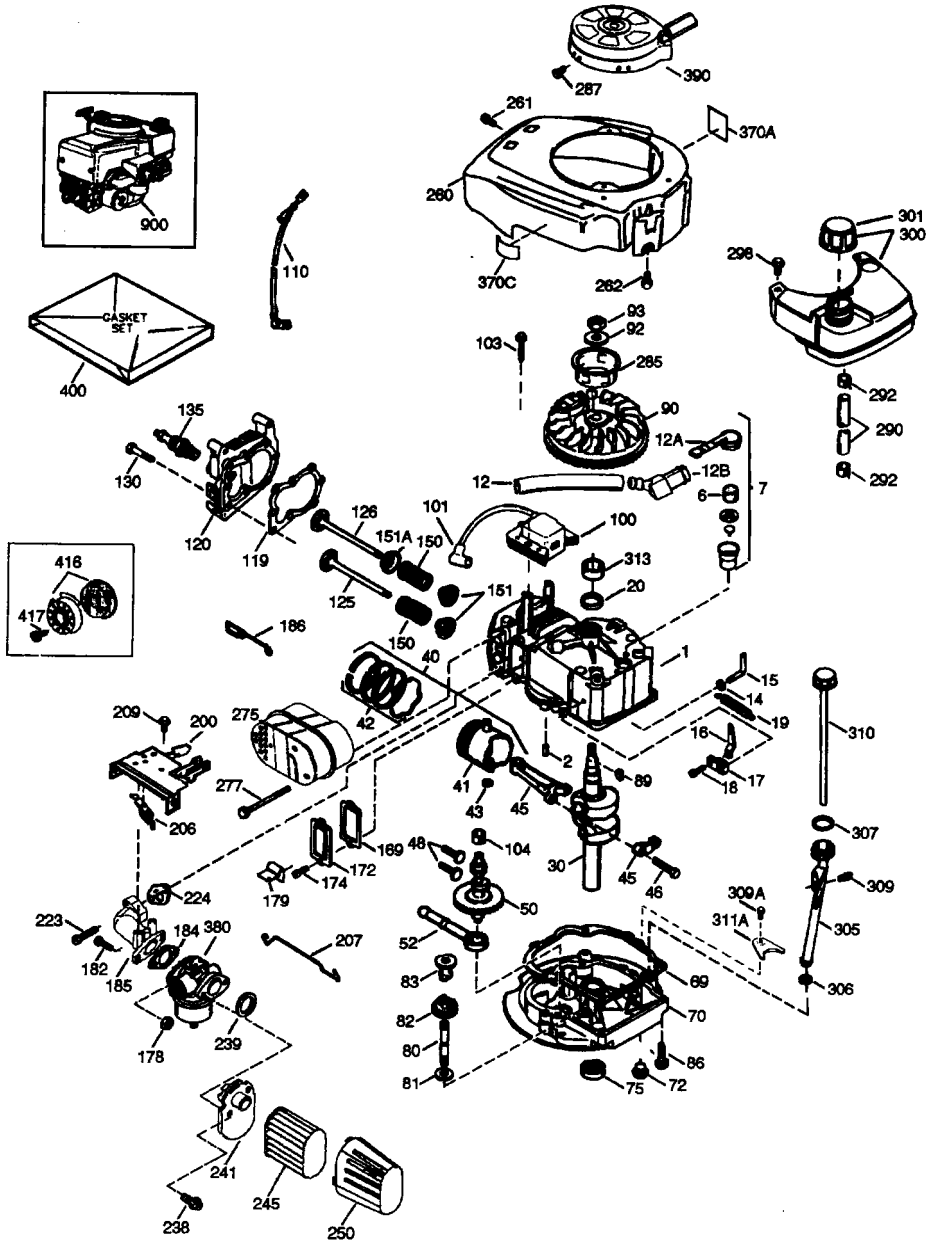
CRAFTSMAN WEED TRIMMER -- MODEL NUMBER 917.773422



## CRAFTSMAN WEED TRIMMER -- MODEL NUMBER 917.773422

KEY NO.	PART NO.	DESCRIPTION
1	174031X558	Chassis Assembly
2	169802	Line, Trimmer .155 diameter x 18.75 long
3	173715	Screw, Self-Tapping 5/16-18 x 1
4	169790	V-Belt
5	172145X004	Bracket, Idler
6	166042	Pulley, Idler, V-Groove
7	173716	Bolt, Hex Head 3/8-16 x 1.25
8	751592	Locknut, Hex 3/8-16
9	166043	Pulley, Idler, Flat
10	160829	Bolt, Shoulder
11	155552	Locknut 5/16-18
12	173717	Spacer
13	174719	Bolt, Shoulder
14	145212	Locknut, Flange
15	173811	Spring, Return
16	177811	Shield, Debris
17	57808	Screw 1/4-20 x 1/2
18	85768	Screw #10-24 x 3/4
19	175301	Skirt
20	170553	Cover, Chassis, Top
21	149746	Screw #10-24 x 1-3/4
22	STD541137	Nut 3/8-24 UNF
23	STD551137	Washer, Lock 3/8
24	STD551037	Washer, Flat 3/8
25	169792	Pulley, Driven
26	172551	Spacer, Pulley
27	174549	Bearing
28	172520	Jackshaft
29	169766X479	Cover, Chassis, Bottom
30	174543	Spindle Housing Assembly (* Includes Upper Bearing, Key #27)
31	174581	Ring, Retaining, External, 17mm
32	176973	Spring, Locking Plate
33	172519	Locking Plate
34	174544	Carrier Plate Assembly
36	172516	Cover, Bearing
37	174580	Ring, Retaining, Internal, 40mm
38	172523	Mow Ball
39	172636	Bolt, Mow Ball
40	172342	Head Assembly, Complete (Includes Key Numbers 22-28, 30-39)
41	174029	Spacer
43	174042	Decal, Instruction
44	174035	Decal, Chassis Cover
45	174596	Belt Keeper, Bottom
46	17060408	Screw, Self-Tapping
47	174036	Decal, Instruction
48	52784	Washer
49	76399	Screw
50	59931	Locknut

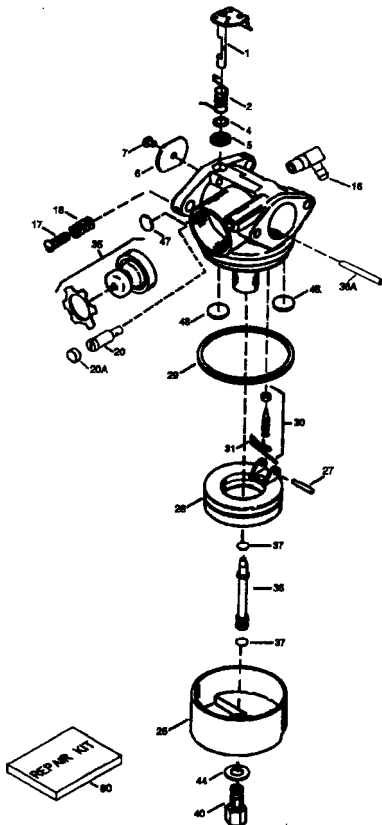
**NOTE:** All component dimensions given in U.S. Inches  
1 inch = 25.4 mm



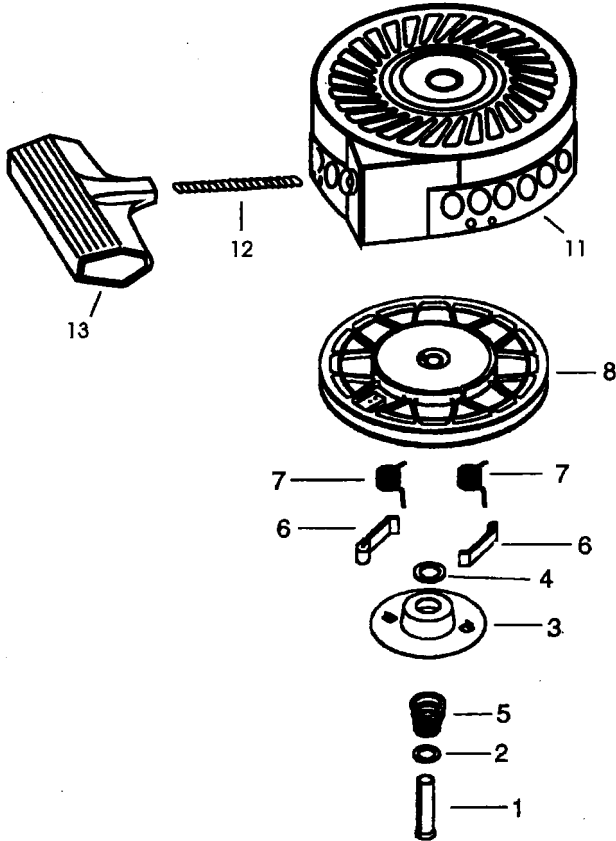


KEY NO.	PART NO.	DESCRIPTION	KEY NO.	PART NO.	DESCRIPTION
1	37266	Cylinder (Incl. 2,20 & 150)	169	36783	* Gasket, Valve Cover
2	26727	Dowel Pin	172	36784	Valve Cover
6	33734	Breather Element	174	30200	Screw, 10-24 x 9/16"
7	36557	Breather Ass'y. (Incl. 6 & 12A)	178	28752	Nut & Lock Washer, 1/4-28
12	36775	Breather Tube	179	30593	Retainer Clip
12A	36558	Breather Cover&Tube (Incl.12B)	182	6201	Screw, 1/4-28 x 7/8"
12B	36694	Breather Tube Elbow	184	26756	* Gasket, Carburetor-Intake Pipe
14	28277	Washer	185	36785	Intake Pipe
15	30589	Governor Rod (Incl. 14)	186	36255	Governor Link
16	34839A	Governor Lever	200	37134	Control Bracket (Incl. 206)
17	31335	Governor Lever Clamp	206	610973	Terminal
18	651018	Screw, T-15, 8-32 x 19/64"	207	36200B	Throttle Link
19	37329	Governor Spring	209	30200	Screw, 10-24 x 9/16"
20	32600	Oil Seal	223	650451	Screw, 1/4-20 x 1"
30	37459	Crankshaft	224	36786	* Intake Pipe Gasket
40	40027	Piston, Pin & Ring Set (Std.)	238	650932	Screw, 10-32 x 49/64"
	40028	Piston, Pin & Ring Set(.010" OS)	239	34338	* Air Cleaner Gasket
41	40025	Piston & Pin Assy.(Std.)(Incl.43)	241	36919	Air Cleaner Collar
	40026	Piston & Pin Ass'y. (.010" OS) (Includes Key Number 43)	245	36905	Air Cleaner Filter
			250	37122	Air Cleaner Cover
42	40006	Ring Set (Std.)	260	36980	Blower Housing
	40007	Ring Set (.010" OS)	261	30200	Screw, 10-24 x 9/16"
43	20381	Piston Pin Retaining Ring	262	650831	Screw, 1/4-20 x 1/2"
45	36777	Connecting Rod Assy. (Incl. 46)	275	36790A	Muffler
46	32610A	Connecting Rod Bolt	277	650988	Screw, 1/4-20 x 2-9/32"
48	27241	Valve Lifter	285	35287A	Starter Cup
50	37460	Camshaft (Exhaust MCR) (Includes Key Number 104)	287	650926	Screw, 8-32 x 2 1/64"
52	29914	Oil Pump Ass'y.	290	34357	Fuel Line
69	37609	* Mounting Flange Gasket	292	26460	Fuel Line Clamp
70	37608	Mounting Flange (Includes Key #72-83, 306)	298	28763	Screw, 10-32 x 35/64"
			300	35586	Fuel Tank (Incl. 292 & 301)
			301	36246	Fuel Cap
72	37614	Oil Drain Plug	305	35577	Oil Fill Tube
75	27897	Oil Seal	306	37610	* "O"-Ring
80	30574A	Governor Shaft	307	35499	"O"-Ring
81	30590A	Washer	309	650562	Screw, 10-32 x 3/8"
82	30591	Governor Gear Ass'y. (Incl. 81)	308A	650783	Screw, 10-24 x 3/4"
83	30588A	Governor Spool	310	35578	Dipstick
86	650488	Screw, 1/4-20 x 1-1/4"	311A	37611	Hold Down Bracket
89	610961	Flywheel Key	313	34080	Spacer
90	611213	Flywheel	370A	36261	Lubrication Decal
92	650815	Belleville Washer	370C	37318	Primer Decal (3X)
93	650816	Flywheel Nut	380	640262	Carburetor (Incl. 184)
100	34443C	Solid State Ignition	390	590763	Rewind Starter
101	610118	Spark Plug Cover	400	37613	Gasket Set (Includes all Items Marked *)
103	651007	Screw, T-15, 10-24 x 15/16"	416	36085	Spark Arrestor Kit (Includes Key # 417) (Optional)
104	37480	Cam Bushing	417	650821	Screw, 10-32 x 1/2" (Optional)
110	37574	Ground Wire	900	750837B	Replacement Short Block 750837B, order from 71-999
119	36787	* Cylinder Head Gasket	---	---	RPM High 3450 to 3750
120	36825	Cylinder Head	---	---	RPM Low 2000 to 2300
125	37288	Exhaust Valve (Std.) (Incl. 151)			
126	37289	Intake Valve (Std.) (Incl. 151)			
130	6021A	Screw, 5/16-18 x 1-1/2"			
135	37598	Resistor Spark Plug (RJ19LM4)			
150	31672	Valve Spring			
151	31673	Valve Spring Cap			
151A	40017	Intake Valve Seal			

**NOTE:** All component dimensions given in U.S. inches  
1 inch = 25.4 mm



KEY NO.	PART NO.	DESCRIPTION
—	640262	Carburetor (Incl. 184 of Engine Parts List)
1	631615	Throttle Shaft & Lever Assembly
2	631767	Throttle Return Spring
4	631184	* Dust Seal Washer
5	631183	* Dust Seal (Throttle)
6	640070	* Throttle Shutter
7	650506	* Shutter Screw
16	631807	Fuel Fitting
17	651025	Throttle Crack Screw/Idle Speed Screw
18	630766	Tension Spring
20	640018	Idle Restrictor Screw
20A	640200	Idle Restrictor Screw Cap (Black)
25	631867	Float Bowl
27	631024	* Float Shaft
28	632019	Float
29	631028	* Float Bowl "O" Ring
30	631021	* Inlet Needle, Seat, & Clip (Incl. 31)
31	631022	Spring Clip
35	640259	Primer Bulb/Retainer Ring
36	640080	Main Nozzle Tube
38A	632766	Carburetor Tube
37	632547	* "O" Ring, Main Nozzle Tube
40	640175	High Speed Bowl Nut
44	27110A	* Bowl Nut Washer
47	630748	* Welch Plug, Idle Mixture Well
48	631027	* Welch Plug, Atmospheric Vent
60	632760B	Repair kit (Incl. Items Marked *)



KEY NO.	PART NO.	DESCRIPTION
---	590783	Rewind Starter
1	590599A	Spring Pin (Incl. 4)
2	590800	Washer
3	590886	Retainer
4	590801	Washer
5	590897	Brake Spring
6	590898	Starter Dog
7	590899	Dog Spring
8	590700	Pulley & Rewind Spring Ass'y.
11	590764	Starter Housing Ass'y.
12	590535	Starter Rope (Length 98" x 9/64" dia.)
13	590701	Starter Handle

# AVISO