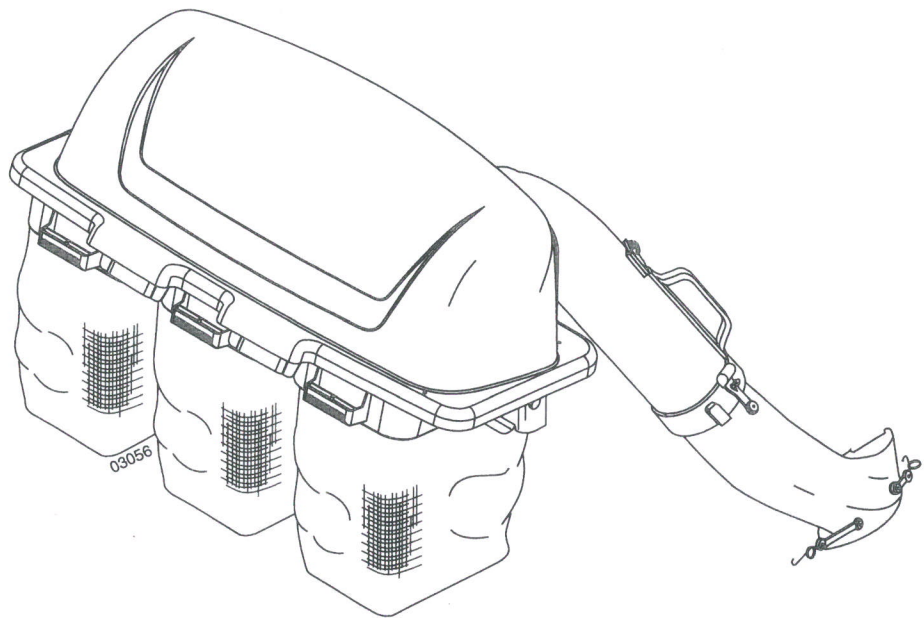


Owner's Manual



GRASS CATCHER 42" Mower

Model No.
917.248920



- **Safety**
- **Assembly**
- **Operation**
- **Maintenance**
- **Repair Parts**

CAUTION:

Read and follow all Safety Rules and Instructions before operating this equipment.

For answers to your questions about this product, Call:

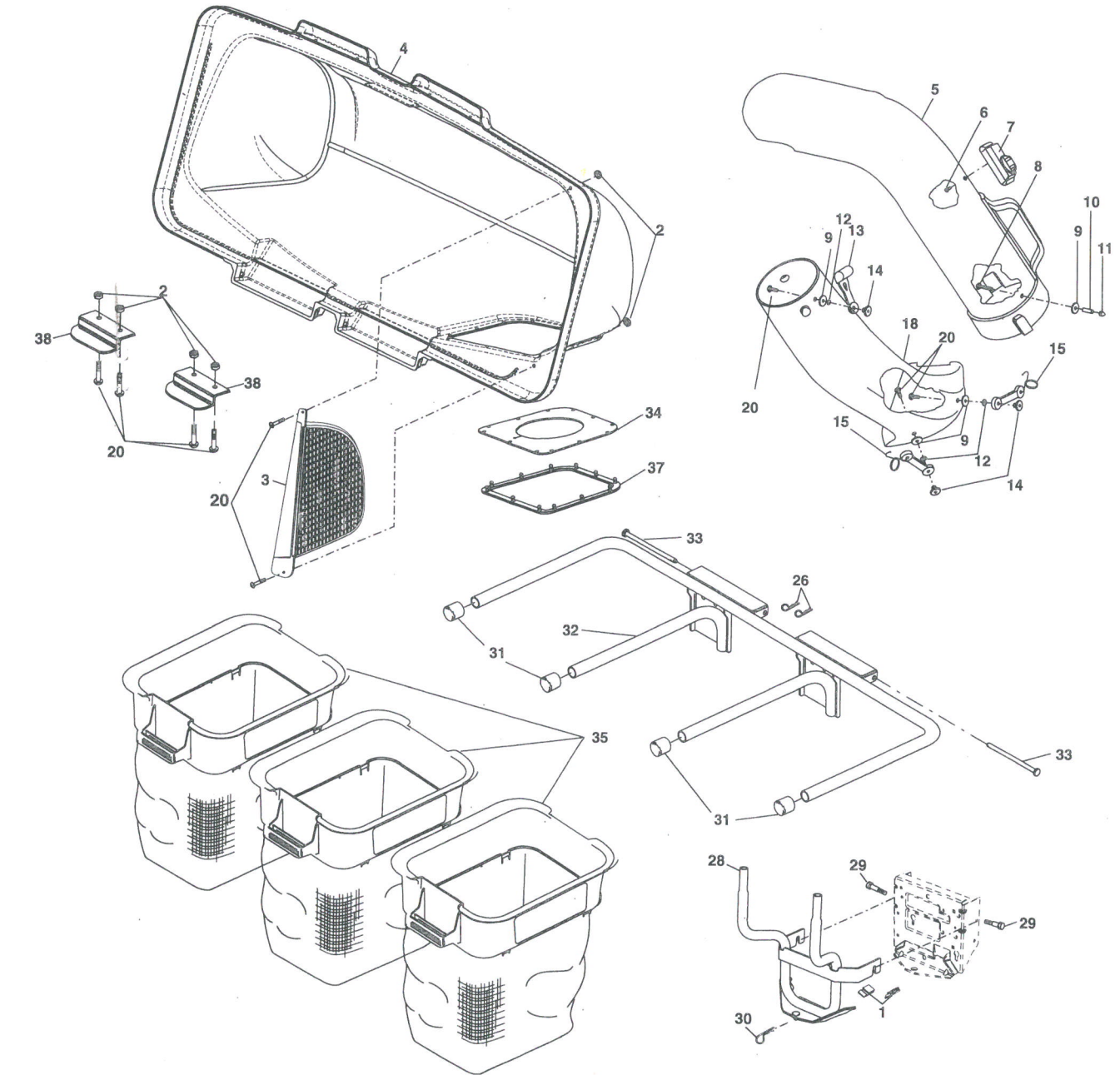
1-800-659-5917
Sears Craftsman Help Line
5 am - 5 pm, Mon - Sat

Sears, Roebuck and Co., Hoffman Estates, IL 60179 U.S.A.

Visit our Craftsman website: www.sears.com/craftsman

REPAIR PARTS

GRASS CATCHER- - MODEL NUMBER 917.248920



| KEY NO. | PART NO. | DESCRIPTION |
|---------|----------|----------------------------------|
| 1 | 401047 | Adapter |
| 2 | 69180 | Nut, Crownlock #10-24 |
| 3 | 192709 | Screen, Cover |
| 4 | 193010 | Cover Assembly (Includes 34, 37) |
| 5 | 126840 | Chute, Upper |
| 6 | 18021008 | Screw, Special #10-14x1/2 |
| 7 | 130933 | Full Bag Indicator |
| 8 | 87175 | Screw, #10-24 x 1-1/8 |
| 9 | 19061216 | Washer 3/16x3/4x16 Ga. |
| 10 | 7206J | Spacer, Split |
| 11 | 60867 | Nut, Acorn #10-24 |
| 12 | 10071000 | Washer, lock |
| 13 | 109808X | Latch, Chute |
| 14 | 2029J | Nut, Weld |

| KEY NO. | PART NO. | DESCRIPTION |
|---------|----------|------------------------|
| 15 | 160793 | Latch Assembly, Hook |
| 18 | 162803 | Chute, Lower |
| 20 | 71161010 | Screw #10-24 x 5/8 |
| 26 | 4939M | Spring, Retainer |
| 28 | 198364 | Support Assembly |
| 29 | 176997 | Shoulder Bolt, Tapping |
| 30 | 165898 | Spring, Retainer |
| 31 | 174083 | Plug, Tubing End |
| 32 | 176990 | Bagger, Frame |
| 33 | 192786 | Pin, Hinge |
| 34 | 192550 | Gasket, Cover |
| 35 | 400226 | Container, Soft |
| 37 | 192603 | Ring, Cover Gasket |
| 38 | 130895 | Latch Handle, Cover |
| — | 403504 | Owner's Manual |