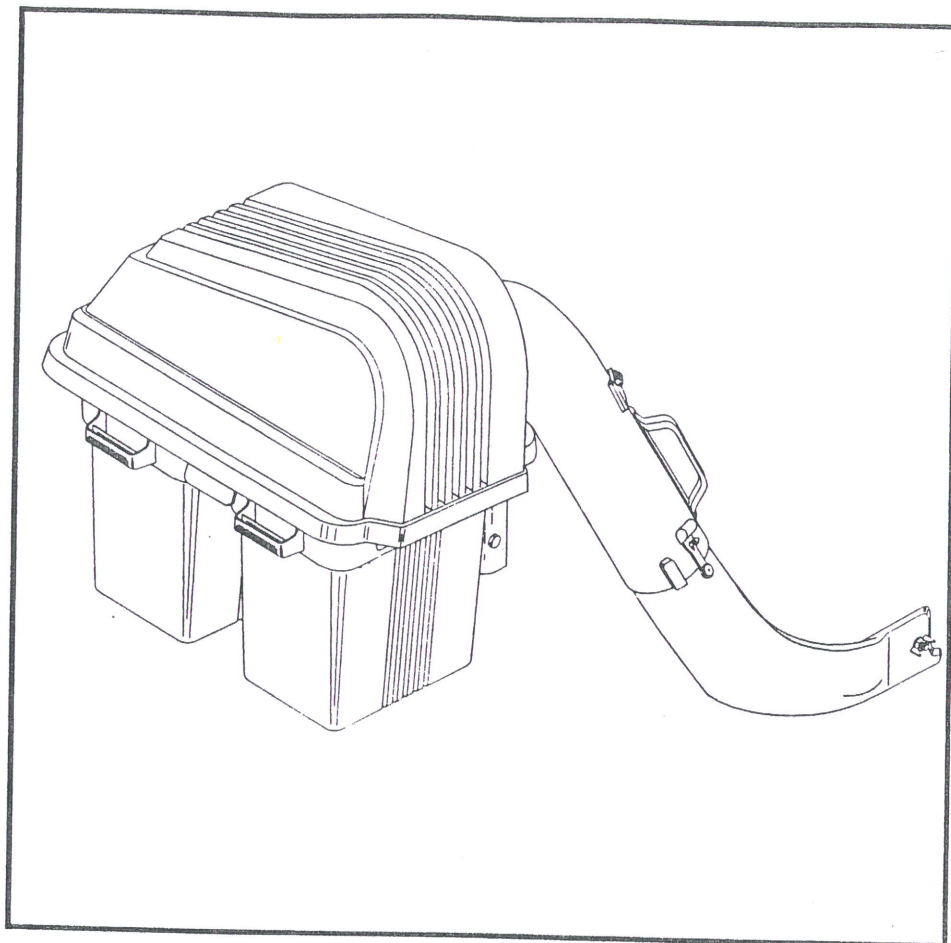


SEARS

**OWNER'S
MANUAL**

**MODEL NO.
917.249780**

Caution:
Read and follow
all Safety Rules
and Instructions
Before Operating
This Equipment



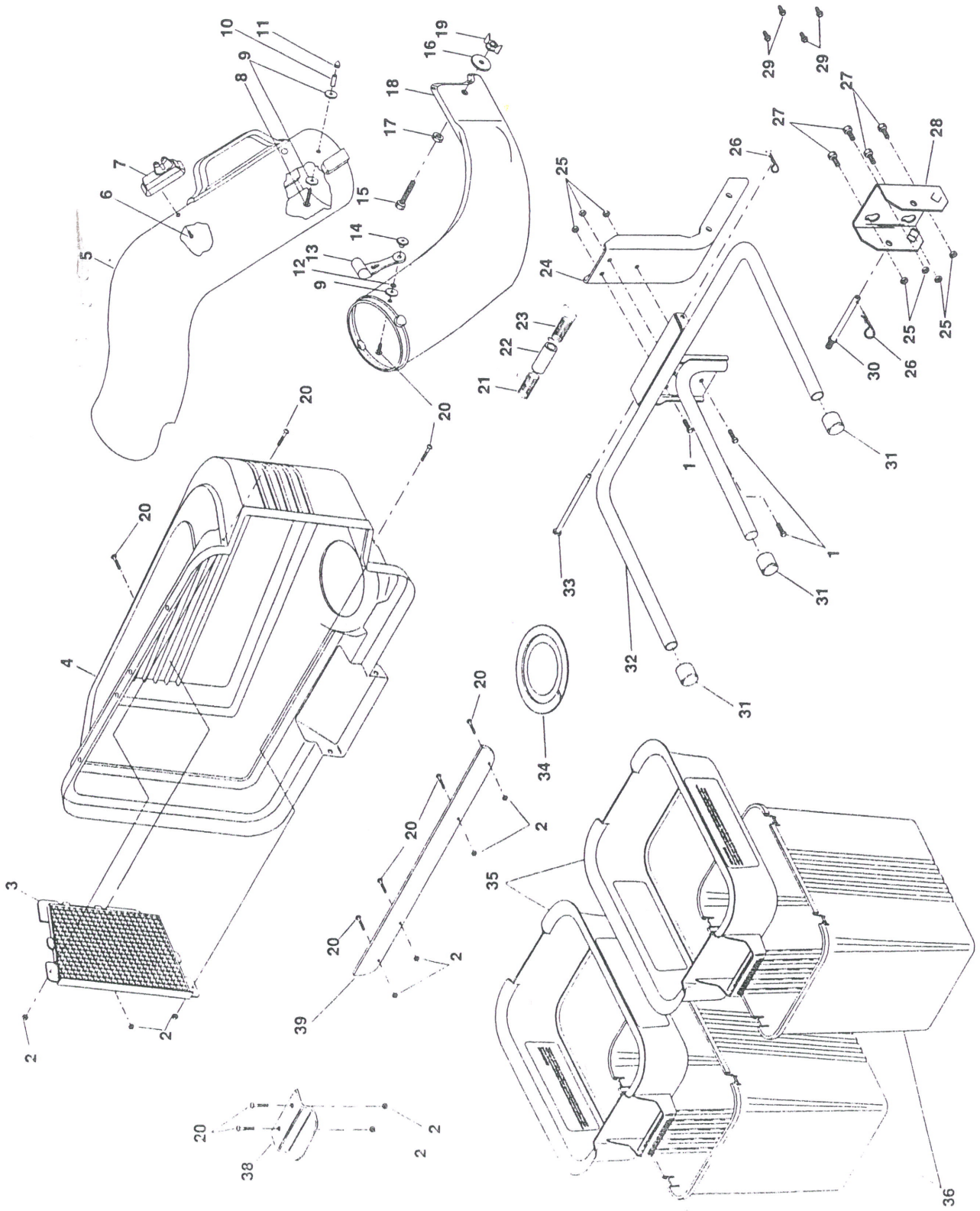
CRAFTSMAN[®]

**38 INCH MOWER
GRASS CATCHER**

- Assembly
- Operation
- Customer Responsibilities
- Repair Parts

Sears, Roebuck and Co., Hoffman Estates, IL 60169 U.S.A.

GRASS CATCHER - MODEL NUMBER 917.249780



REPAIR PARTS

GRASS CATCHER - MODEL NUMBER 917.249780

KEY PART NO.	DESCRIPTION	KEY PART NO.	DESCRIPTION
1	72110506	24	126813X Post, Support
2	69180	25	63124 Locknut 5/16 x 18
3	127533	26	4939M Spring, Retainer
4	161312	27	74760512 Bolt, Hex 5/16-18 x 3/4
5	139569	28	170053 Bracket, Mounting
6	18021008	29	170165 Shoulder Bolt
7	130933	30	131137 Pin, Support Post
8	87175	31	134496 Plug, Tubing End
9	19061216	32	126919X Bagger, Frame
10	7206J	33	128600 Pin, Hinge
11	60867	34	127534 Gasket, Cover
12	10071000	35	129584 Container, Top
13	109808X	36	129586 Container, Bottom
14	2029J	38	130895 Latch Handle, Cover
15	74930620	39	155042X431 Strip, Reinforcement
16	19131616	—	104419X Bag, 3.0 mil. 30 Gallon Trash (not included with bagger)
17	73750600	—	171047 Owner's Manual
18	131970		
19	135651		
20	71161010		
21	132796		
22	133235		
23	132983		