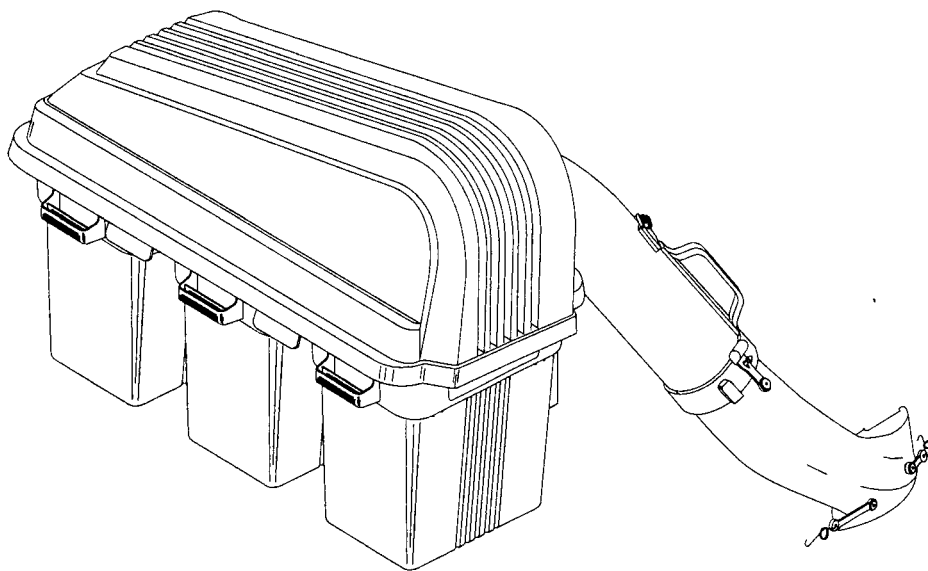


Owner's Manual



46" Mower GRASS CATCHER

Model No.
917.249900



CAUTION:

Read and follow all Safety Rules and Instructions before operating this equipment.

- **Safety**
- **Assembly**
- **Operation**
- **Customer Responsibilities**
- **Repair Parts**

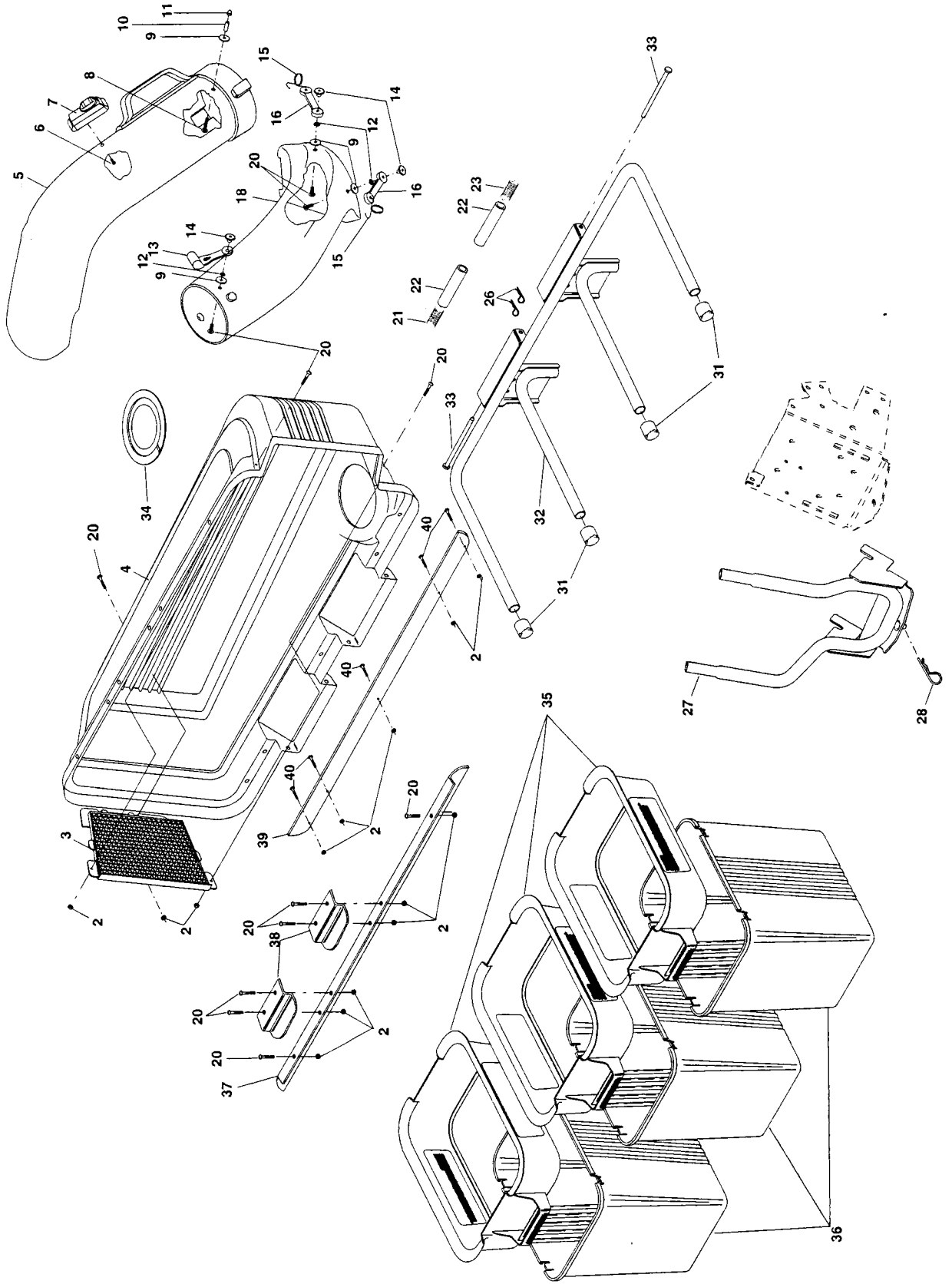
Sears, Roebuck and Co., Hoffman Estates, IL 60179

Visit our Craftsman website: www.sears.com/craftsman

REPAIR PARTS

GRASS CATCHER - - MODEL NUMBER 917.249900

REPAIR PARTS



REPAIR PARTS

GRASS CATCHER - - MODEL NUMBER 917.249900

KEY NO.	PART NO.	DESCRIPTION	KEY NO.	PART NO.	DESCRIPTION
2	69180	Nut, Crownlock #10-24	22	140809	Spacer, Cover
3	127533	Screen, Cover	23	132983	Spring, Cover R.H. (gray)
4	139906	Cover	26	4939M	Spring, Retainer
5	126840	Chute, Upper	27	176987	Support Assembly
6	18021008	Screw, Special #10-14x1/2	28	165898	Spring, Retainer
7	130933	Full Bagger Indicator	31	174083	Plug, Tubing End
8	87175	Screw, #10-24 x 1-1/8	32	176990	Bagger, Frame
9	19061216	Washer 3/16x3/4x16 Ga.	33	128600	Pin, Hinge
10	7206J	Spacer, Split	34	127534	Gasket, Cover
11	STD541810	Nut, Acorn #10-24	35	129584	Container, Top
12	STD551110	Washer, lock	36	129586	Container, Bottom
13	109808X	Latch, Chute	37	134637	Seal, Cover
14	2029J	Nut, Weld	38	130895	Latch Handle, Cover
15	130760	Latch, Hook	39	155857	Strip, Reinforcement
16	130759	Rubber, Latch	40	71141008	Screw #10-24 x 1/2
18	145578	Chute, Lower	—	104419X	Bag, 3.0 mil. 30 Gallon
20	71161010	Screw #10-24 x 5/8 Truss Head	—	—	Trash (not included with bagger)
21	132796	Spring, Cover L.H. (black)	—	178268	Owner's Manual